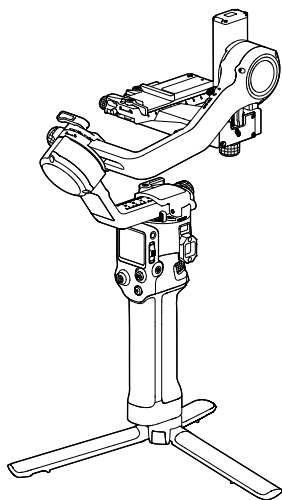


# dji RS 5

## User Manual

v1.0 2026.01





This document is copyrighted by DJI with all rights reserved. Unless otherwise authorized by DJI, you are not eligible to use or allow others to use the document or any part of the document by reproducing, transferring or selling the document. Only refer to this document and the content thereof as instructions to operate DJI products. The document should not be used for other purposes.

In the event of divergence among different versions, the English version shall prevail.

### **Searching for Keywords**

Search for keywords such as “battery” and “install” to find a topic. If you are using Adobe Acrobat Reader to read this document, press Ctrl+F on Windows or Command+F on Mac to begin a search.

### **Navigating to a Topic**

View a complete list of topics in the table of contents. Click on a topic to navigate to that section.


### **Printing this Document**


This document supports high resolution printing.



# Using this Manual

## Legend

 Important

 Hints and Tips

 Reference

## Read Before Use

DJI™ provides you with tutorial videos and the following documents:

1. *Safety Guidelines*
2. *Quick Start Guide*
3. *User Manual*

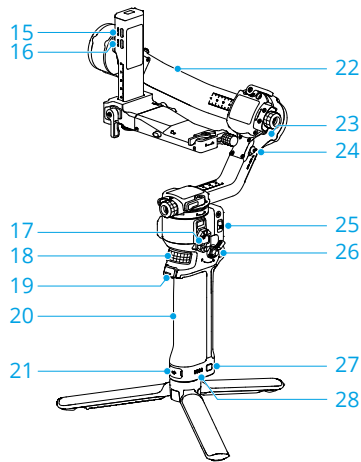
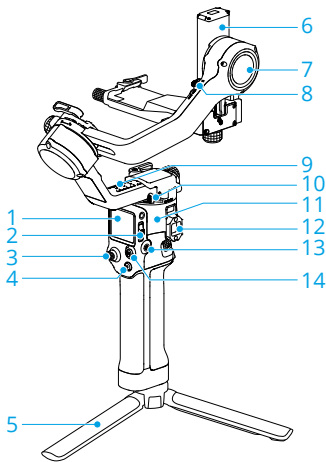
It is recommended to watch all the tutorial videos and read the *Safety Guidelines* before using for the first time. Make sure to review the *Quick Start Guide* before using for the first time and refer to this *User Manual* for more information.

# Contents

<b>Using this Manual</b>	<b>3</b>
Legend	3
Read Before Use	3
<b>1 Overview</b>	<b>6</b>
<b>2 Using for the First Time</b>	<b>7</b>
2.1 Charging	7
2.2 Attaching the Extended Grip/Tripod	7
2.3 Mounting the Camera	8
Supported Cameras and Lenses	8
Preparation	8
Attaching the Upper Quick-Release Plate	9
Horizontal Shooting	9
Vertical Shooting	10
2.4 Balancing	12
Before Balancing	12
Balancing Steps	12
2.5 Activation	12
2.6 Firmware Update	13
2.7 Connecting a Camera	13
2.8 Auto Calibration	14
<b>3 Operation</b>	<b>15</b>
3.1 Buttons	15
3.2 Ports	17
3.3 Touchscreen	18
Home	18
Slide Down - Control Center	19
Slide Up - Gimbal Settings	20
Swipe Left - Create Screen	20
Swipe Right - ActiveTrack	21
3.4 Gimbal Follow Modes	21
3.5 Gimbal Operation Modes	23
3.6 Electronic Briefcase Handle	25
3.7 Ronin App Settings	26
3.8 Enhanced Intelligent Tracking Module	26
Overview	26
Installation	27
ActiveTrack Settings	27

Tracking and Shooting	28
Control via Buttons and Joystick	29
Control via Gesture	29
Control via Touchscreen	31
Firmware Update	32
<b>4 Grip/Built-In Battery</b>	<b>33</b>
4.1 Safety Guidelines	33
<b>5 Appendix</b>	<b>36</b>
5.1 Maintenance	36
5.2 Specifications	36

# 1 Overview



- 1. Touchscreen
- 2. Gimbal Mode Switch
- 3. Joystick
- 4. Camera Control Button
- 5. Quick-Open Tripod
- 6. Tilt Axis
- 7. Tilt Motor
- 8. Tilt Lock
- 9. Pan Axis
- 10. Pan Lock
- 11. Pan Motor
- 12. NATO Port
- 13. Power Button
- 14. M Button

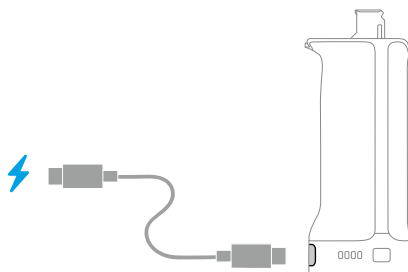
- 15. Multifunctional Port
- 16. RSS Camera Control Port (USB-C)
- 17. RSA/NATO Ports
- 18. Front Dial
- 19. Trigger
- 20. Battery grip
- 21. Charging Port (USB-C)
- 22. Roll Axis
- 23. Roll Motor
- 24. Roll Lock
- 25. Joystick Mode Switch
- 26. Grip Lever/Safety Button
- 27. Battery Level Button
- 28. Battery Level LEDs




## 2 Using for the First Time

### 2.1 Charging


For first time use, charge the battery grip to activate the battery. Activation is completed when the battery indicator lights up.




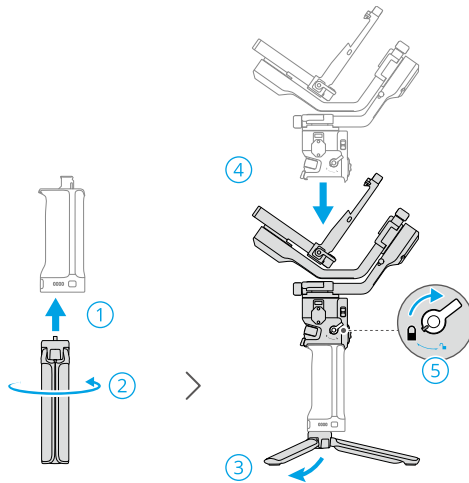
 Press the power button to check the current battery level when powered off.

### 2.2 Attaching the Extended Grip/Tripod

1. Attach the tripod to the battery grip, tighten, and then unfold the tripod.
2. After removing the foam from the axis arms, attach the gimbal to the battery grip. Tighten the grip lever in the locking direction until you hear a "click" to ensure that the handle is firmly attached.

 Turn the grip lever firmly until no further rotation is possible. The arrow indicates the direction of locking only and does not represent the fully locked position.

 If this fails, it is recommended to move the lever to the unlocked position, hold down the safety button, and pull the grip away from the gimbal.



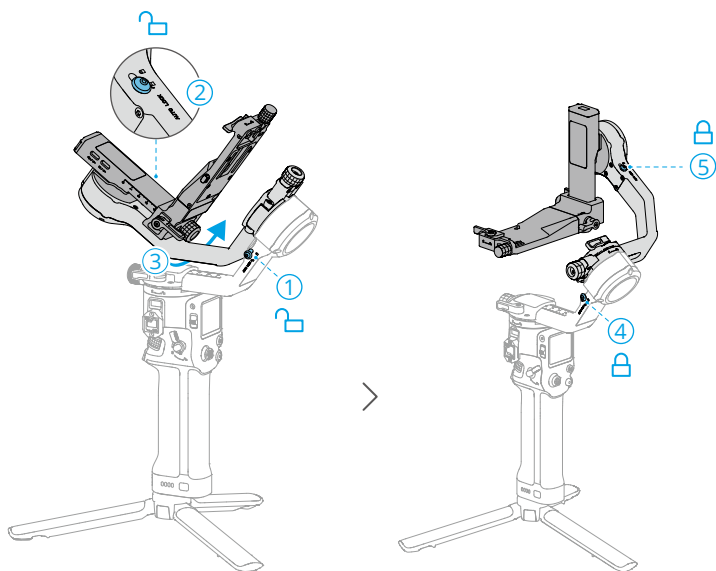
## 2.3 Mounting the Camera

### Supported Cameras and Lenses

Visit <https://www.dji.com/rs-5/specs> for information on specifications and make sure the combined weight of the camera, lens, and other accessories are within the load capacity. Refer to the [Ronin Series Compatibility List](#) for compatible camera lenses and control features supported.

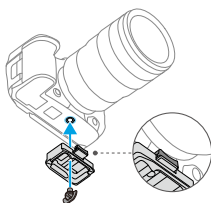
### Preparation

1. Remove the lens cap and check that the battery and memory card are inserted in the camera.
2. Make sure the gimbal is powered off or in sleep mode.
3. Move the tilt and roll locks to the unlocked position respectively and adjust the position of both axes as shown in the figure, then lock the axes.



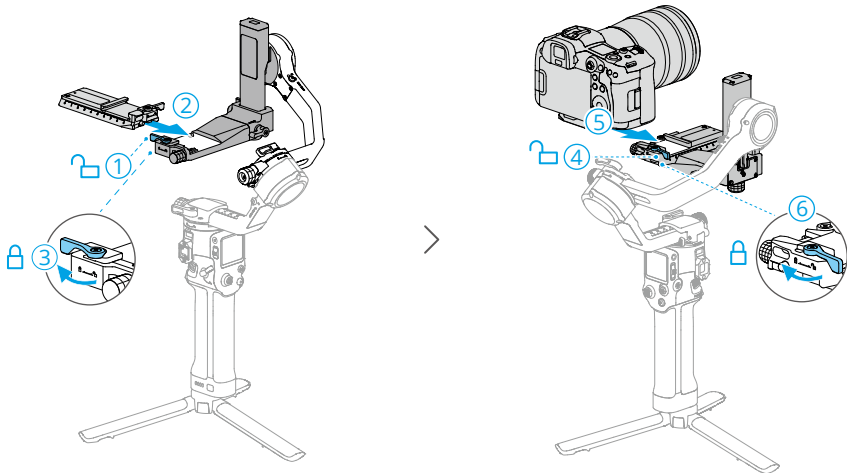
## Attaching the Upper Quick-Release Plate

Attach the upper quick-release plate to the bottom of the camera with the 1/4" screw in the screw kit. Snap the adjustable placement guide onto the camera body before locking the screw.



## Horizontal Shooting

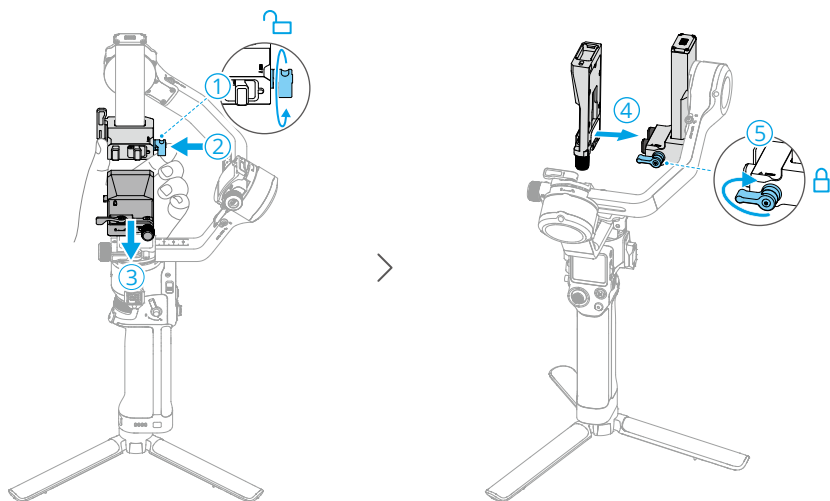
1. Move the lever on the horizontal plate to the unlocked position ①, insert the lower quick-release plate ② and move the lever to the locked position ③ after it is engaged.
2. Move the lever on the lower quick-release plate to the unlocked position ④, insert the upper quick-release plate ⑤ and move the lever to the locked position ⑥ after it is engaged.



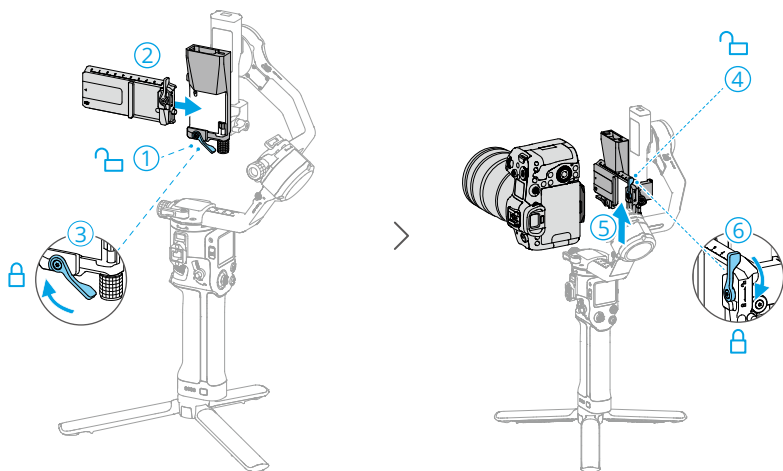
- To remove the camera from the lower quick-release plate, move the lever to the unlocked position and remove the camera while pressing the safety lock beside the lever.
- To remove the lower quick-release plate, move the lever on the horizontal plate to the unlocked position and remove the lower quick-release plate while pressing the safety lock on the horizontal plate.

## Vertical Shooting

1. Loosen ① and press the knob ② to remove the horizontal plate ③. Then, install the plate vertically ④ onto the gimbal and tighten the knob ⑤.



2. Move the lever on the horizontal plate to the unlocked position ①, insert the lower quick-release plate ② and move the lever to the locked position ③ after it is engaged.
3. Move the lever on the lower quick-release plate to the unlocked position ④, insert the upper quick-release plate ⑤, and move the lever to the locked position ⑥ after it is engaged.



## 2.4 Balancing

Balance the vertical tilt, the depth for the tilt axis, the roll axis and the pan axis in sequence according to the shooting requirements before using the gimbal. This ensures the stability of videos and the full performance of the gimbal.

---

**⚠** An unbalanced gimbal may affect the stability of videos and reduce the battery life. Severe imbalance may cause the device to overheat and go into hibernation.

---

### Before Balancing

1. Before balancing, make sure to power on the camera if using an optical zoom lens and to select the focal length if using a varifocal lens.
2. Make sure DJI RS 5 is powered off or in sleep mode before balancing.

### Balancing Steps

Click the link or scan the QR code to view the tutorial video.



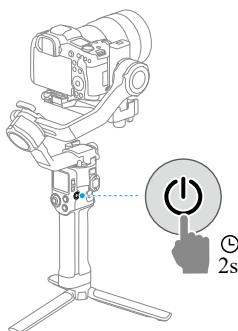
<https://s.dji.com/guide122>

## 2.5 Activation

Activation is required for DJI RS 5 through the Ronin app. Follow the steps below to activate your device:

1. Press and hold the power button to power on your device, and select the language on the touchscreen.
2. Scan the QR code on the touchscreen to download the Ronin app.
3. Enable Bluetooth on the mobile phone. Launch the Ronin app and log in with a DJI account. Select the device used, type in the default password 12345678, and activate the gimbal according to the instructions. An internet connection is required for activation.

Up to five uses without activating the gimbal are supported. After that, activation is required for further use.



If the Ronin app cannot be downloaded after scanning the QR code on the screen of the device, visit <https://www.dji.com/mobile/downloads/djiapp/dji-ronin> or scan the QR code below.



## 2.6 Firmware Update

If new firmware is available, users will be notified by the Ronin app. Update the firmware according to the on-screen instructions. DO NOT power off the gimbal or exit the app during the firmware update. If the update fails, restart the gimbal and Ronin app, and try again.

- 💡 • Make sure the gimbal has sufficient power and the mobile phone is connected to the internet when updating.
- It is normal for the gimbal to unlock, lock, and reboot automatically during the update process.

## 2.7 Connecting a Camera

DJI RS 5 supports connecting to the camera via Bluetooth or camera control cable. Click the link or scan the QR code to view the tutorial video.

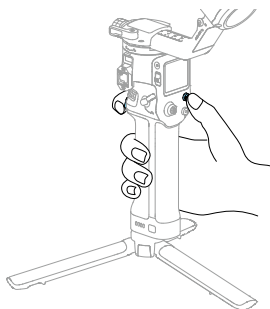


<https://www.dji.com/rs-5/video>

## 2.8 Auto Calibration

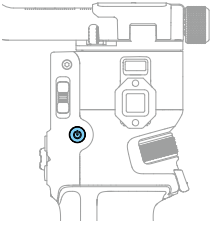
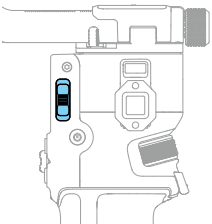
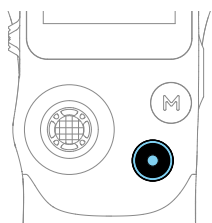
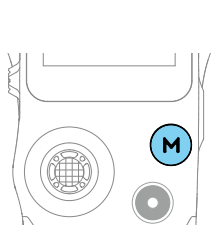
Press and hold the M button and trigger to start automatic calibration.

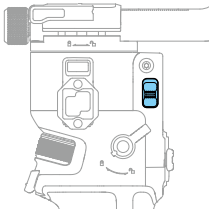
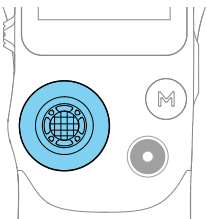

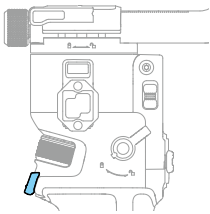
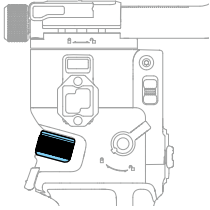

- 
- ⚠ Place the gimbal on a steady flat surface. DO NOT move the gimbal during automatic calibration. It is normal for the gimbal to shake or make sounds during the calibration.
- 



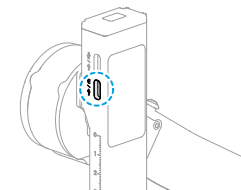
## 3 Operation

### 3.1 Buttons

	<p><b>Power Button</b></p> <p>Press and hold: Power on/off.</p> <p>Press once: Enter or exit sleep mode. The three axes will automatically lock. Press again to wake up the gimbal.</p> <p>💡 Settings related to the automated axis locks can be adjusted in the system settings in the touchscreen.</p>
	<p><b>Gimbal Mode Switch</b></p> <p>Toggle to switch gimbal mode from PF, PTF, and FPV.</p>
	<p><b>Camera Control Button</b></p> <p>After connecting the camera, press halfway for autofocus. Press once to start or stop recording. Press and hold to take a photo.</p> <p>💡 Check the Ronin Series Compatibility List for detailed information on supported camera features.</p>
	<p><b>M Button</b></p> <p>Press once to take photos by default. The function of the button can be set on the touchscreen to C1/Fn1 Button Mapping or Lock/Unlock Screen.</p> <p>Press and hold: Enter Sport Mode. In Sport Mode, the follow speed of the gimbal increases greatly. It is suitable for shooting in scenarios where subjects move suddenly and at fast speeds.</p> <p>Press and hold the M button while pressing the trigger twice: Enter and remain in Sport Mode. Repeat to exit.</p>

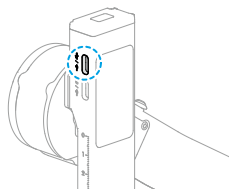
	<p><b>Joystick Mode Switch</b></p> <p>Push down: Set the joystick mode to gimbal movement control.</p> <p>Push up: Set the joystick mode to zoom control.</p>
	<p><b>Joystick</b></p> <p>For gimbal movement control: Move the joystick up and down to control the tilt of the gimbal and move the joystick left and right to control the pan of the gimbal.</p> <p>For zoom control: Move the joystick up and down to control the zoom.</p> <p>Enable the power zoom on Sony cameras and then  the joystick can control the power zoom of the camera.</p>
	<p><b>Trigger</b></p> <p>Press and hold to enter Lock mode. In Lock mode, the gimbal will not respond to the movement of the grip. After setting up on the touchscreen, press and hold the trigger to enter FPV mode.</p> <p>Press twice to re-center the gimbal.</p> <p>Press three times to turn the gimbal 180° so that the camera faces you (selfie mode).</p>
	<p><b>Front Dial</b></p> <p>Turn to control the focus by default. The settings can be changed via the touchscreen. Refer to the Touchscreen section for more details.</p> <p> Check the <a href="#">Ronin Series Compatibility List</a> for detailed information on supported features.</p>

## 3.2 Ports



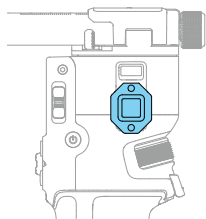
### Camera Control Port (USB-C)

Can be connected to the corresponding camera port for camera control and communication.



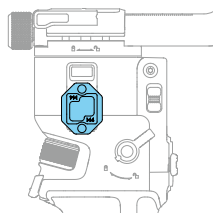
### Multifunctional Port

Can be connected to accessories such as DJI SDR Transmission, DJI Focus Pro Motor, and more.



### NATO Port

Compatible with accessories such as the briefcase handle and monitor. This port does not support charging or communication.

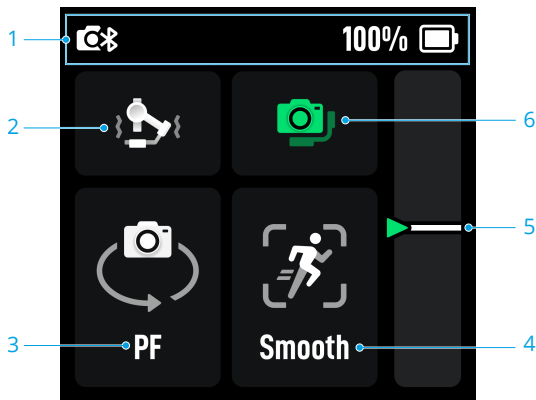


### RSA/NATO Ports

This port supports charging and communication. It can be connected to DJI RS Electronic Briefcase Handle, DJI R Focus Wheel, and DJI R Twist Grip Dual Handle.

## 3.3 Touchscreen

### Home




#### 1. Status Bar

The status bar at the top of the touchscreen shows the gimbal connection status and battery level.

#### 2. Auto Calibration

The three values indicate the stiffness of the three axes.

 After balancing the gimbal, if changing the focal length, changing the lens or the camera causes the balance status icon to turn red, or if the gimbal shakes for no reason, it is recommended to perform automatic calibration. It is recommended to increase the stiffness if the gimbal is not stable enough and to lower the stiffness if the gimbal starts to shake.

#### 3. Follow Mode

FPV mode can be switched to 3D Roll 360 mode or Custom mode via the touchscreen.

#### 4. Follow Speed/Sensitivity

Tap the Follow Speed/Sensitivity icon to set Slow, Medium, Fast, or Custom follow speeds. Different sensitivity modes are also provided. The Smooth Mode inherits the follow sensitivity of the Ronin series stabilizers, ensuring natural transitions and smooth start and stop movements in your footage. In Responsive mode, the gimbal responds more quickly to hand movements during start and stop, providing a more responsive experience.

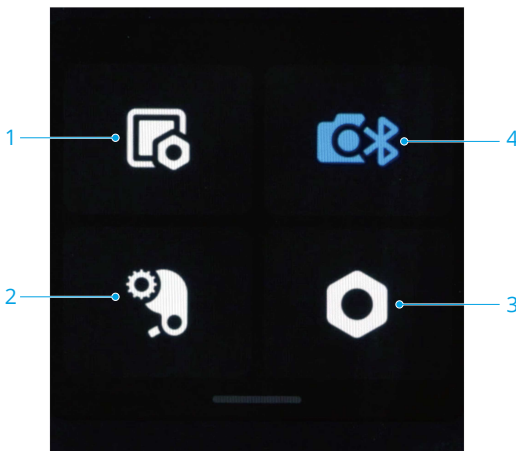
#### 5. Z-Axis Indicator

Vertical jitter is displayed as a real-time metric.

## 6. Balance Status

When the status bar shows green or gray, this indicates the gimbal is balanced. To check the balance status of the gimbal, tilt the gimbal 15° left or right and check the status bar. If the status bar shows yellow, the gimbal is slightly unbalanced. The status bar shows red when the gimbal is critically unbalanced. In this case, re-balance the corresponding axis.

## Slide Down - Control Center



### 1. Display

Tap to set auto-lock, brightness while locked, and rotation. Enable rotation and the on-screen display will flip 180°.

### 2. Focus Motor Endpoints

Focus motor calibration can be selected.

### 3. Settings

In the System Settings, you can perform gimbal auto check, auto lock settings, and parameter restoration. Key features include:

- Z-axis Indicator: Enabled by default, tap to disable.
- Push Mode: Enable to manually control the tilt and pan axis.
- Orbit Follow: When enabled, the gimbal obtains smoother movements after enabling when shooting arc shots.

- **Horiz Calibration:** Try horizontal calibration or manual calibration when the gimbal is unlevel or the axis is drifting.
- **Camera Control Port Settings:** When enabled, the camera control port (USB-C) provides camera control functionality.
- **Disable Selfie:** Prevent accidental trigger entry into selfie mode.
- **Auto Off:** The gimbal will automatically power off after 10 minutes of being locked and inactive.

#### 4. Bluetooth

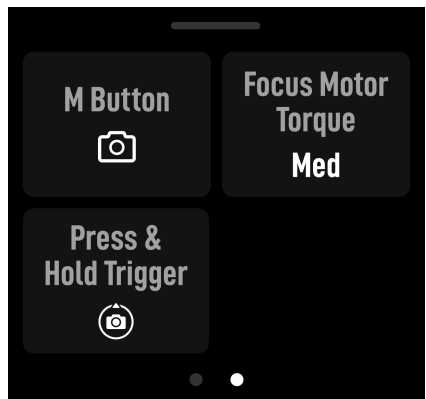
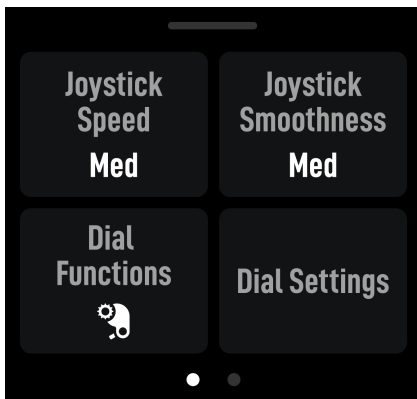
Tap Connect to pair the Bluetooth of the gimbal and camera.

---

 The gimbal can only connect to one camera at a time.

---

## Slide Up - Gimbal Settings



On this interface, you can adjust joystick settings and focus motor torque, and select functions for pressing the dial and the M button, and for holding the trigger.

M button can be mapped to camera C1 or Fn1. After setup, the M-button can be mapped to the C1 button on Sony cameras (A7S3, A7M3, ZV-1) or the "Wireless Remote Fn1" button on Nikon cameras (Z50, Z6II).

## Swipe Left - Create Screen

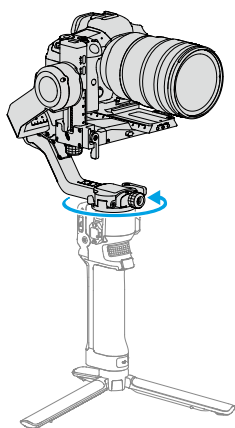
Timelapse, Track and Panorama can be set in this screen.

## Swipe Right - ActiveTrack

When the enhanced intelligent tracking module is connected, ActiveTrack view is available and relevant settings can be adjusted via this interface.

See [ActiveTrack Settings](#) for details.

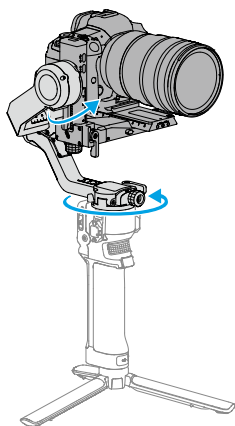
### 3.4 Gimbal Follow Modes



PF

PF: Pan follow, where only the pan axis follows the movement of the grip.

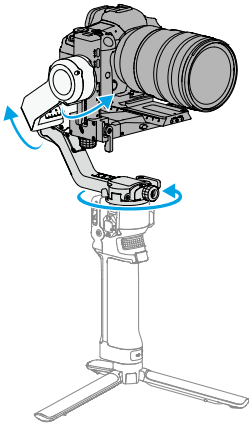
Suitable for scenarios such as shooting emerging walk-through and arc shots or moving from left to right.



PTF

PTF: Pan and tilt follow, where both the pan and tilt axes follow the movement of the grip.

Suitable for scenarios when moving on a slant.



FPV

FPV: Pan, tilt, and roll follow, where all three axes follow the movement of the grip.  
 Suitable for scenarios when rotating the camera.

Custom

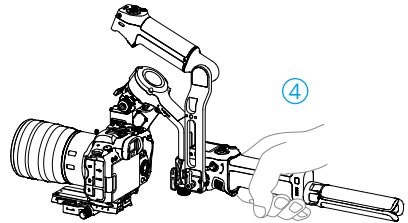
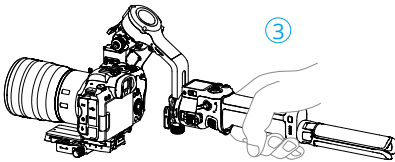
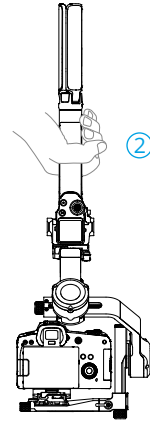
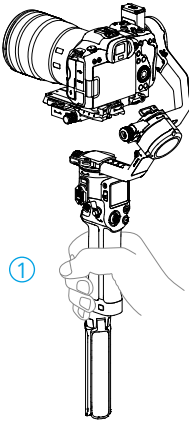
Custom: Enables or disables any axis follow as required. Lock mode is enabled when the three axes are disabled. All the three axes will not follow the movement of the grip in lock mode.  
 Suitable for smooth tracking shots and quick reaction shots.

3D Roll 360

In 3D Roll 360 mode, the tilt axis is rotated 90° upwards and the camera lens is vertically upwards, at which point you can use the joystick to control the 360° rotation of the pan axis.  
 Suitable for rotating shots.



## 3.5 Gimbal Operation Modes



### 1. Upright Mode

This is the standard working mode of the gimbal and is suitable for most shooting scenarios such as walking and running shots.

### 2. Underslung Mode

The gimbal is flipped and the camera is in a lower position. This mode is suitable for taking low angle shots, such as tracking objects on the ground.

### 3. Flashlight Mode

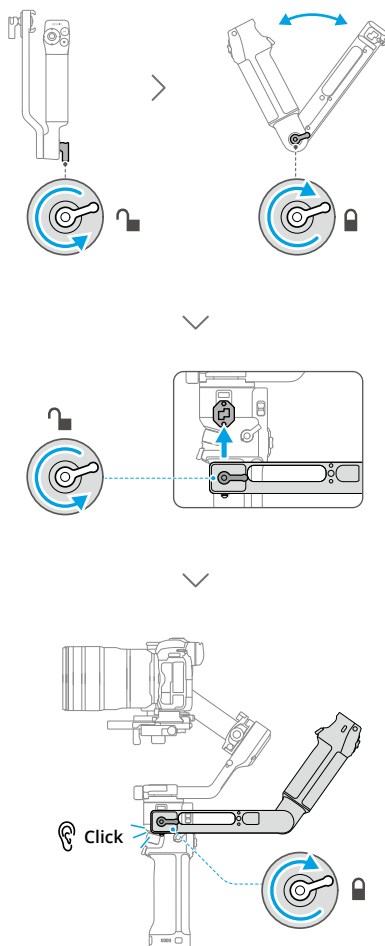
The gimbal is held horizontally like a flashlight. This mode is suitable for shooting in confined spaces.

#### 4. Briefcase Mode

The briefcase handle needs to be installed in this mode, making low-angle camera movements more intuitive. The angle of the briefcase handle can be adjusted using the knob. The cold shoes and 1/4"-20 mounting holes of the gimbal allow for mounting external monitors to assist in shooting.



## 3.6 Electronic Briefcase Handle



You can control the gimbal and camera using the buttons on the handle.

When using a heavier lens, hold the gimbal grip with one hand and the electronic briefcase handle with the other to distribute weight and enhance stability.

The top of the handle is equipped with a cold shoe mount, a 1/4 threaded hole, and positioning holes, allowing you to attach additional accessories.

**⚠** If not properly installed, there is a risk of detachment. A click at the port indicates that the electronic briefcase handle is properly installed.

Click the link or scan the QR code to watch the tutorial videos.



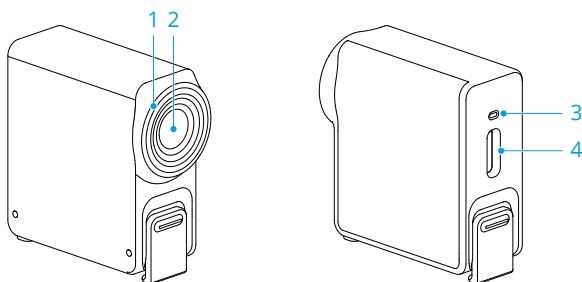
<https://www.dji.com/rs-5/video>

## 3.7 Ronin App Settings






Users can use the Ronin app to activate the gimbal, update the firmware, access intelligent functions, and configure motor parameters, user settings, and joystick options. Additionally, system status, user manual, and tutorial videos can be accessed.

## 3.8 Enhanced Intelligent Tracking Module

### Overview




#### 1. Ring Light

Battery Level		
 —	Solid red	ActiveTrack disabled(in sleep mode) or subject lost
 —	Solid green	ActiveTrack in use
 .....	Blinks green	Subject lost temporarily
 —	Solid yellow	Composition being adjusted
 .....	Blinks yellow	Countdown for taking a picture or recording (shutter triggered after 3s of blinking)



2. Tracking Lens
3. Status Indicator

---

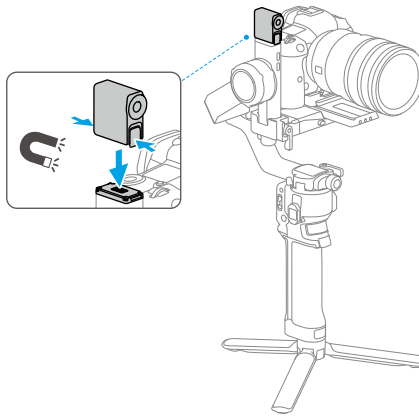
 Light signals and meanings are consistent with the ring light.


---

4. USB-C Data Port


Connect to a computer for firmware updates.

## Installation



- 
-  • If the indicator does not turn on after the tracking module is installed, check whether the tracking module is fully magnetically attached to the gimbal.
  - If the tracking module idle for more than five minutes, it automatically enters sleep mode and the indicator turns off. Tap the gimbal trigger or swipe right on the touchscreen to wake up the tracking module.
- 

## ActiveTrack Settings

After installing the tracking module, tap  to enter the settings interface and configure related features. Key features include:

### Composition

When ActiveTrack is enabled with Keep Current Framing, the gimbal will maintain the current composition.

When Composition is adjusted to Center Tracking Subject, the subject tracked will be moved to the center of the ActiveTrack view.

- ⚙️ In Center Tracking Subject, due to differences in camera, lens, and shooting distance, the actual center of the Active may deviate and cannot always remain centered. If the composition is not centered, adjust it using the joystick.

### ActiveTrack Speed

Slow speed provides smooth tracking, ideal for live streaming.

Medium speed works well for parallel tracking while fast speed is best for close-up circling shots or high-motion scenes.

### Image Calibration

If the center of the ActiveTrack view deviates from the center of the camera view, tap **Image Calibration** to adjust the composition.

Toggle the joystick left or right to adjust the composition on the ActiveTrack view so that it matches the composition of the camera view.

## Tracking and Shooting

The tracking module supports tracking people, vehicles, pets (cats and dogs), and other objects. Different subject types offer different options for controlling tracking and capture.

Subject	Enable/disable ActiveTrack	Adjust Composition
People	Via: Trigger Gesture Touchscreen	Via: Joystick Gesture
Pets (cats, dogs), Vehicles	Via: Trigger Touchscreen	Via: Joystick
Other Objects	Via: Touchscreen	Via: Joystick

- ⚙️ • It is not recommended to use in backlight or low-light scenarios.
- During tracking, the subject should be followed at a distance between 0.5 m and 10 m. (Measured at a 24 mm focal length.)
- For non-human subjects, keep the subject occupying at least 10% of the ActiveTrack view during tracking.

- ActiveTrack for vehicles is designed for scenarios with a single vehicle and is not intended for tracking vehicles at high speeds. For vehicles, ensure the entire vehicle remains fully visible in the ActiveTrack view.
- Pet following is only supported when tracking a single pet.

---

## Control via Buttons and Joystick

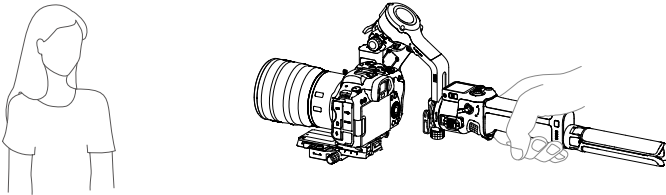
Press the trigger to enable or disable the ActiveTrack.

Once the subject is being followed and **Keep Current Framing** is enabled, you can use the joystick to adjust the composition

Press the trigger twice to disable the ActiveTrack and recenter the gimbal.

- 
- 💡 During shooting, you can adjust the tracking mode using the mode switch on the gimbal. In pan follow (PF) mode, only the pan axis follows; in pan and tilt follow (PTF) mode, both the pan and tilt axes follow; in pan, tilt and roll follow (FPV) mode, tracking is not supported.
- 

When shooting from a mid-low position, the gimbal handle should point in the direction of the person being followed.

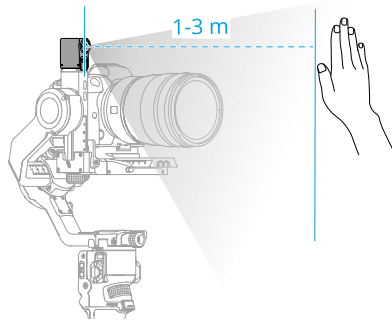


---

## Control via Gesture

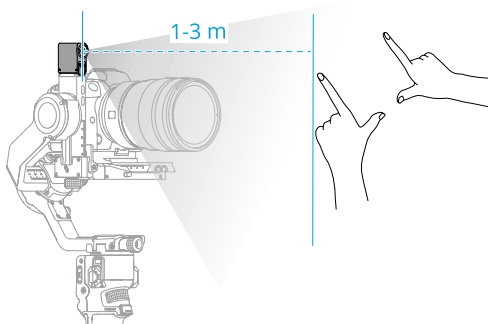
- 
- 💡 • The tracking module prioritizes those close to the lens and near the center of the view.
  - The subject tracked should be 1 m to 3 m away from the tracking lens.
  - Gestures and their functions can be changed in the ActiveTrack Settings.
- 

**Enable tracking:** Show the 🖐️ gesture to the camera or press the trigger. The indicator turns solid green.



**Adjusting composition:** Adjust the composition as needed during tracking. Show the 🖐️🖐️ gesture to the camera. The indicator turns solid yellow. The subject can move to the desired position in the frame.

Show the 🖐️🖐️ gesture again to confirm the composition. The indicator turns solid green and tracking automatically resumes.

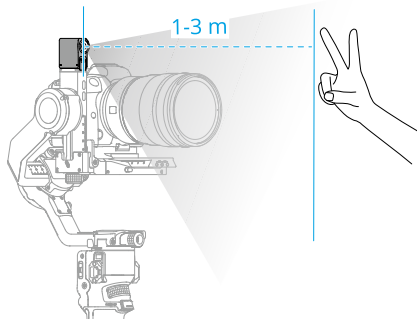


**Stop tracking:** Show the 🖐️ gesture or press the trigger again. The indicator turns solid red.

**Shooting:** Whether tracking is in use or not, you can use 🖐️ to start a countdown for taking a photo or starting/stopping recording. The indicator pulses yellow during the countdown.

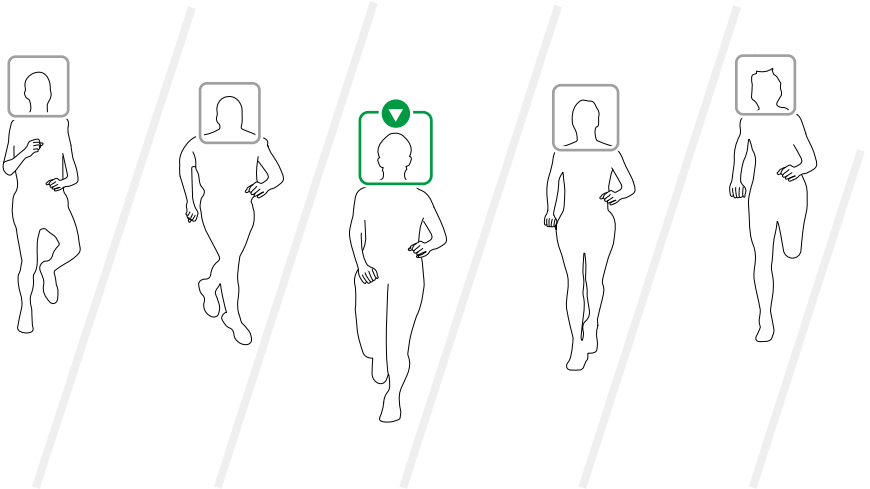
💡 Make sure the gimbal and camera are connected in advance.

---



## Control via Touchscreen

Detected subjects are shown with gray bounding boxes. Rotate the dial to switch between different subjects. Only available when Dial Functions is set to Focus Motor and no focus motor is installed.



Tap any bounding box to select a subject and start tracking.

Alternatively, you can drag to draw a box around a subject on the touchscreen to start tracking.

- 💡 • Ensure the selected subject has a clear, well-defined outline.

## Firmware Update

The tracking module needs to be connected to a computer for firmware update.

1. Visit <https://www.dji.com/rs-5/downloads> and download the corresponding firmware package.
2. Use the included USB-C cable to connect the tracking module to the computer.
3. Place the downloaded firmware package (file ending in .bin) in the root directory of the tracking module.
4. Once copied, disconnect the USB connection.
5. Reconnect the tracking module to the computer. The tracking module will automatically start the update process. The status indicator will blink red and green alternately. DO NOT disconnect the connection during the process.
6. The status indicator remaining solid red indicates that the update is complete.

## 4 Grip/Built-In Battery

For information about the gimbal battery and gimbal running time, refer to <https://www.dji.com/rs-5/specs>

### 4.1 Safety Guidelines



Read the user manual to become familiar with the features of this product before operating. Failure to operate the product correctly can result in damage to the product, personal property, and cause serious injury. This is a sophisticated product. It must be operated with caution and common sense and requires some basic mechanical ability. Failure to operate this product in a safe and responsible manner could result in injury or damage to the product or other property.

This product is not intended for use by children without direct adult supervision. DO NOT alter this product in any way outside of the documents provided by SZ DJI TECHNOLOGY CO., LTD. These Safety Guidelines contain instructions for safety, operation and maintenance. It is essential to read and follow all of the instructions and warnings in the user manual, prior to assembly, setup or use, in order to operate the product correctly and avoid damage or serious injury.

#### Grip Use



1. DO NOT allow the grip to come into contact with any kind of liquid. DO NOT leave the grip out in the rain or near a source of moisture. DO NOT drop the grip into water. If the inside of the battery comes into contact with water, chemical decomposition may occur, potentially resulting in the battery catching on fire, and may even lead to an explosion.
2. If the grip falls into water by accident, put it in a safe and open area immediately. Maintain a safe distance from the grip until it is completely dry. DO NOT use the grip again, and dispose of the grip properly as described in the Grip Disposal section.
3. Put out any fire using water, sand, fire blanket, or a dry powder fire extinguisher.
4. DO NOT use or charge a swollen, leaky, or damaged grip. If the grip is abnormal, contact DJI or a DJI authorized dealer for further assistance.

5. The grip should be used in temperatures from -20° to 45° C (-4° to 113° F). Use of the grip in environments above 50° C (122° F) can lead to a fire or explosion. Use of grip below 0° C (32° F) can significantly reduce operation time.
6. DO NOT use the battery in strong electrostatic or electromagnetic environments or near high-voltage transmission lines.
7. DO NOT disassemble or pierce the grip in any way or the battery may leak, ignite, or explode.
8. DO NOT drop or strike batteries. DO NOT place heavy objects on the grip.
9. Electrolytes in the battery are highly corrosive. If any electrolytes make contact with your skin or eyes, immediately wash the affected area with fresh running water for at least 15 minutes, and then see a doctor immediately.
10. DO NOT use the grip if dropped.
11. DO NOT heat batteries. DO NOT put the grip in a microwave oven or in a pressurized container.
12. DO NOT manually short-circuit the grip.
13. Clean grip terminals with a clean, dry cloth.



1. Make sure the grip is fully charged before use.
  2. If a low-battery warning appears, charge the grip as soon as possible.
- 

### Charging

---



1. DO NOT leave the grip unattended during charging. DO NOT charge the grip near flammable materials or on flammable surfaces such as carpet or wood.
  2. Charging the grip outside of the temperature range of 5° to 40° C (41° to 104° F) may lead to leakage, overheating, or battery damage. The ideal charging temperature is 22° to 28° C (72° to 82° F).
- 



The grip is designed to stop charging when it is full. It is good practice, however, to monitor the charging progress and disconnect the grip when fully charged.

---

### Storage


---



1. Keep the batteries out of the reach of children and animals.
2. If the grip will be stored for an extended period, charge the grip until the battery level reaches between 30% and 50%.
3. DO NOT leave the grip near heat sources such as a furnace or heater. DO NOT leave the grip inside of a vehicle on hot days. The ideal storage temperature is 22° to 28° C (72° to 82° F).



---

#### 4. Keep the grip dry.

-  1. Discharge the grip to 40%-65% if it will not be used for 10 days or more. This can greatly extend the battery life.
  - 2. If the grip is stored for an extended period and the battery is depleted, the grip will enter sleep mode. Recharge the grip to exit sleep mode.
  - 3. If the grip is stored for an extended period and the battery is depleted, the grip will enter sleep mode. Recharge the grip to exit sleep mode.
- 


#### Maintenance

---

-  1. DO NOT use the grip when the temperature is too high or too low.
  - 2. DO NOT store the battery in environments with a temperature higher than 45° C (113° F) or lower than 0° C (32° F).
- 
-  1. Battery life may be reduced if not used for an extended period.
  - 2. Discharge and charge the grip completely once every three months to keep it in good condition.
- 



#### Travel Notice

---

-  1. Before carrying the grip on an airline flight, it must first be discharged until the battery level is lower than 30%. Only discharge the grip in a fireproof location and store the grip in a ventilated location.
  - 2. Keep the grip away from metal objects such as glasses, watches, jewelry, and hairpins.
  - 3. DO NOT transport a damaged grip or a grip with battery level higher than 30%.
- 

#### Disposal

---

-  Dispose of the grip in specific recycling boxes only after a complete discharge. DO NOT place the grip in regular trash containers. Strictly follow your local regulations regarding the disposal and recycling of batteries.
- 
-  1. If the grip is disabled and the battery cannot be fully discharged, contact a professional battery disposal or recycling agent for further assistance.
  - 2. Dispose of the grip immediately if it cannot be powered on after over-discharging.
-

## 5 Appendix

### 5.1 Maintenance

The gimbal is not waterproof. Make sure to protect it from dust and water during use. After use, it is recommended to wipe the gimbal with a soft dry cloth. DO NOT spray any cleaning liquids onto the gimbal.

### 5.2 Specifications

Visit the following website for specifications.

<https://www.dji.com/rs-5/specs>



Contact

DJI SUPPORT

This content is subject to change without notice.  
Download the latest version from



<https://www.dji.com/rs-5/downloads>

If you have any questions about this document, please contact DJI by sending a message to [DocSupport@dji.com](mailto:DocSupport@dji.com).

DJI is a trademark of DJI.

Copyright © 2026 DJI All Rights Reserved.