



OWNER'S MANUAL
MANUEL DU PROPRIÉTAIRE
MANUAL DEL PROPIETARIO



COMPACT REFRIGERATOR Owner's Manual.....	1 - 8
RÉFRIGÉRATEUR COMPACT Manuel du propriétaire.....	9 - 16
REFRIGERADOR COMPACTO Manual del propietario.....	17 - 24

MODEL * MODÈLE * MODELO DCR045B1SLDB
--



Welcome to the Danby family.

We are proud of our quality products and we believe in dependable service. We suggest that you read this owner's manual before plugging in your new appliance as it contains important operation information, safety information, troubleshooting, and maintenance tips to ensure the reliability and longevity of your appliance.

You are entitled to the warranty coverage as described in the owner's manual provided with your new appliance.

1. Please write down your appliance information below. **You must keep the original proof of purchase receipt to validate and receive warranty services.**
2. Register your product online and receive a **FREE 2 MONTH WARRANTY EXTENSION** after filling out a product survey, at www.danby.com/support/product-registration/

Model Number: _____

Serial Number: _____

Date of Purchase: _____

Need Help?

1. Read your Owner's Manual for installation help, troubleshooting, and maintenance assistance.
2. Visit www.Danby.com to access self-service tools, FAQs and much more by searching your model number in the search bar.
3. For the **Quickest Customer Service**, please fill out the web form at www.danby.com/support. Your submission will go directly to an expert on your particular appliance. Our average response times are between 20 minutes and 2 hours, during EST business hours.
4. Call **1-800-263-2629** - please note that during peak hours, hold times can exceed one hour.



Important Safety Information

READ AND FOLLOW ALL SAFETY INSTRUCTIONS

SAFETY REQUIREMENTS

DANGER: Risk of fire or explosion. Flammable refrigerant used. Do not puncture refrigerant tubing.

- Do not use mechanical devices to defrost refrigerator.
- Ensure that servicing is done by factory authorized service personnel, to minimize product damage or safety issues.
- If the power supply cord is damaged, it must be replaced by the manufacturer, its service agent or similar qualified person in order to avoid hazard.
- Consult repair manual or owner's guide before attempting to service this product. All safety precautions must be followed.
- Dispose of properly in accordance with federal or local regulations.
- Follow handling instructions carefully.
- Do not store explosive substances such as aerosol cans with a flammable propellant in this appliance.

WARNING: Keep ventilation openings, in the appliance enclosure or in the built-in structure, clear of obstruction.

WARNING: Do not use mechanical devices or other means to accelerate the defrosting process, other than those recommended by the manufacturer.

WARNING: Do not damage the refrigerant circuit.

WARNING: Do not use electrical appliances inside the food storage compartments of the appliance, unless they are of the type recommended by the manufacturer.

CAUTION: Children should be supervised to ensure that they do not play with the appliance.

DANGER: Risk of child entrapment. Before throwing away an old appliance:

- Remove the door or lid.
- Leave shelves in place so that children may not easily climb inside.

DANGER: Do not add a lock to the door or lid. This can cause child entrapment and harm.

SAFETY REQUIREMENTS

This appliance is not intended for use by persons (including children) whose physical, sensory or mental capabilities may be different or reduced, or who lack experience or knowledge, unless such persons receive supervision or training to operate the appliance by a person responsible for their safety.

This appliance is intended to be used in household and similar applications such as:

- Staff kitchen areas in shops, offices and other working environments;
- Farm houses and by clients in hotels, motels and other residential type environments;
- Bed and breakfast type environments;
- Catering and similar non-retail applications.

GROUNDING INSTRUCTIONS

This appliance must be grounded. Grounding reduces the risk of electrical shock by providing an escape wire for the electrical current.

This appliance has a cord that has a grounding wire with a 3-prong plug. The power cord must be plugged into an outlet that is properly grounded. If the outlet is a 2-prong wall outlet, it must be replaced with a properly grounded 3-prong wall outlet. The serial rating plate indicates the voltage and frequency the appliance is designed for.

WARNING - Improper use of the grounding plug can result in a risk of electric shock. Consult a qualified electrician or service agent if the grounding instructions are not completely understood, or if doubt exists as to whether the appliance is properly grounded.

Do not connect your appliance to extension cords or together with another appliance in the same wall outlet. Do not splice the power cord. Do not under any circumstances cut or remove the third ground prong from the power cord. Do not use extension cords or ungrounded (two prongs) adapters.

SAVE THESE INSTRUCTIONS!

INSTALLATION INSTRUCTIONS

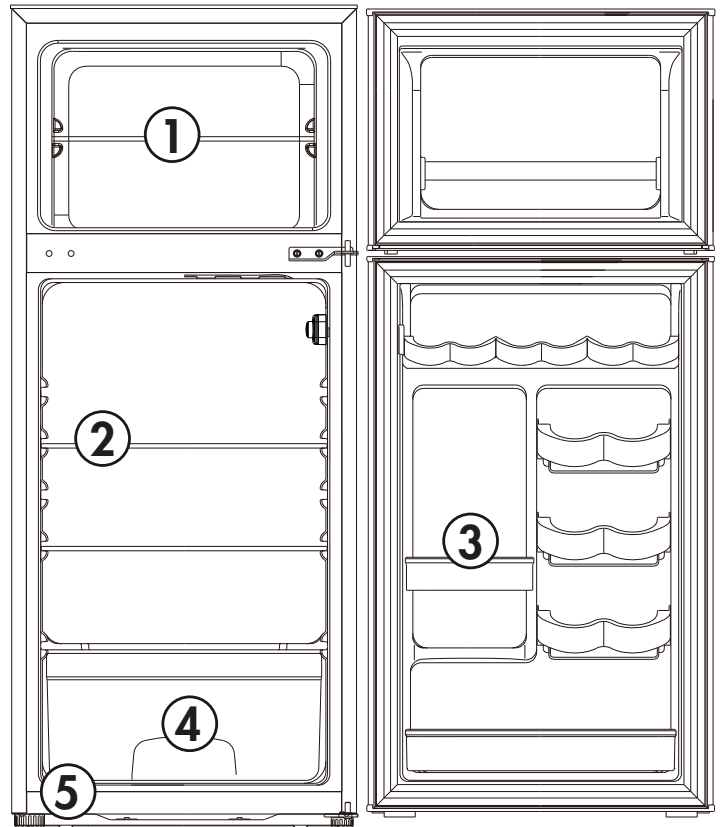
LOCATION

- Two people should be used when moving the appliance.
- Remove interior and exterior packaging prior to installation. Wipe the outside of the appliance with a soft, dry cloth and the inside with a lukewarm wet cloth.
- Place the appliance on a floor that is strong enough to support it when it is fully loaded.
- Do not place the appliance in direct sunlight or near sources of heat, such as a stove or heater, as this can increase electrical consumption. Extreme cold ambient temperatures may also cause the appliance to perform improperly.
- Do not use the appliance near water, for example in a wet basement or near a sink.
- This appliance is intended for household use only. It is not designed for outside installation, including anywhere that is not temperature controlled (garages, porches, vehicles, etc.).
- Before connecting the appliance to a power source, let it stand upright for approximately 6 hours. This will reduce the possibility of a malfunction in the cooling system from handling during transportation.
- This appliance is 48 cm (18.9 inches) wide by 116 cm (45.7 inches) high by 53 cm (20.9 inches) deep.
- Allow 5 cm (2 inches) of space between the back, sides and top of the appliance and all adjacent walls.
- This appliance is intended for free-standing installation only and is not intended to be built into a cabinet or counter. Building in this appliance can cause it to malfunction.

OPERATING INSTRUCTIONS

FEATURES

1. Freezer shelf
2. Glass refrigerator shelves
3. Door shelves
4. Crisper
5. Adjustable foot



IMPORTANT

Ensure that the door is fully closed when the appliance is in operation. Failure to fully close the door can lead to excessive condensation and potential water damage to flooring under the appliance. Danby will not be responsible for damages from misuse.

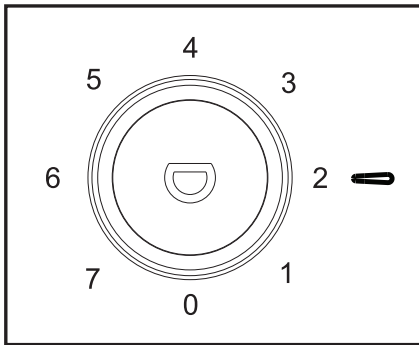
OPERATING INSTRUCTIONS

TEMPERATURE SELECTION

The temperature of the appliance can be adjusted by turning the thermostat dial.

- The higher numbers indicate the coldest setting.
- The lower numbers indicate the warmest setting.
- The "0" position will turn off the cooling function.
- The recommended setting for normal daily usage is 3.

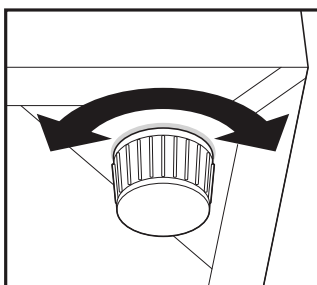
Internal temperature of the appliance can vary based on ambient temperature, the quantity of items stored and how frequently the door is opened.



LEVELING INSTRUCTIONS

There is an adjustable foot on the bottom of the appliance that can be turned up or down to ensure that the appliance is level.

1. Turn the leveling foot counter-clockwise until the top of the foot is touching the bottom of the cabinet.
2. Slowly turn the leveling foot clockwise until the appliance is level.



DEFROSTING THE APPLIANCE

The freezer in this appliance is equipped with a manual defrost system. The freezer should be defrosted approximately every six months or any time the layer of frost inside the freezer compartment reaches 6 mm (1/4") thick. Defrosting may take a few hours, depending on the amount of accumulated ice and the ambient indoor temperature.

To begin the defrosting process, remove all food from the appliance and unplug it from the power source. The ice from the freezer compartment will melt and drain into a pan above the compressor where it will evaporate. Place a basin or towel under the appliance to catch any water that may overflow the drain pan. To speed up the defrosting process, leave the doors open.

Monitor the refrigerator closely during the defrosting process to avoid water spilling and causing damage to flooring or counter tops.

Once defrosting is complete, set the thermostat control to the maximum setting and allow the appliance to run empty for approximately 2 - 3 hours before returning to the desired setting and replacing food.

Note: Never use sharp or pointed instruments to remove ice from the freezer compartment. The freezer compartment contains refrigerated gas lines and if accidentally pierced it will render the refrigerator inoperable and void the manufacturers warranty. Do not allow the refrigerator to continue operation if the freezer compartment is pierced.

ADJUSTABLE SHELVES

The glass refrigerator shelves can be positioned as desired on the internal runners.

The door shelves can be adjusted by gently pulling them upward and then repositioning them as desired.

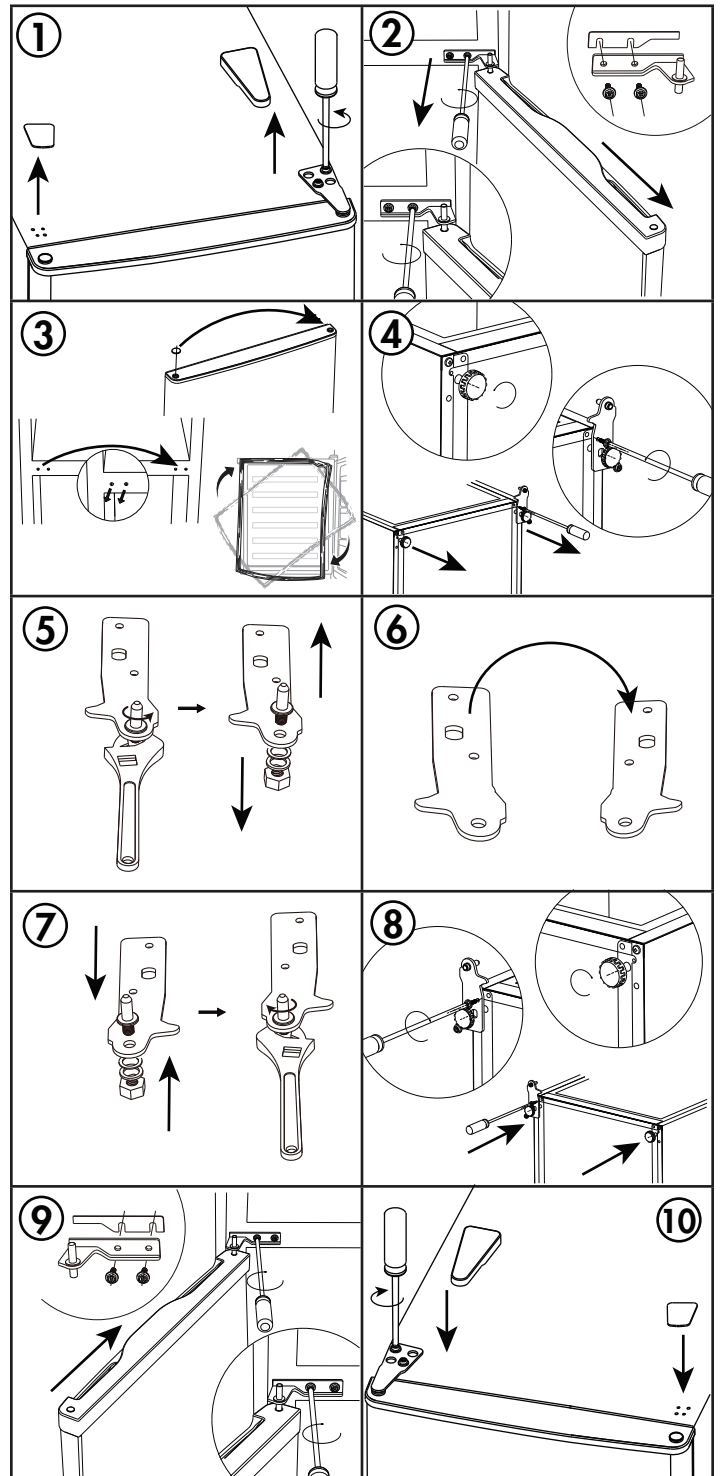
OPERATING INSTRUCTIONS

DOOR REVERSAL INSTRUCTIONS

If the appliance is placed on its back or side for any length of time during this process, it must be allowed to remain upright for 6 hours before plugging it in to avoid damage to the internal components.

Ensure that the rubber gaskets on the doors are making a good seal with the cabinet all the way around before tightening the hinge screws.

1. Remove the upper hinge cover and the upper hinge from the top right side of the cabinet. Remove the screw hole cover from the top left side of the cabinet. Remove the freezer door from the cabinet.
2. Remove the center hinge from the cabinet. Remove the refrigerator door from the cabinet.
3. Remove the hinge hole covers from the top left side of the refrigerator and freezer doors and install them on the top right hand side of both doors. Remove the screw hole covers from the center left side of the cabinet and install them on the center right side of the cabinet. Detach rubber gaskets from the refrigerator and freezer doors, rotate them 180° and then reattach them.
4. Remove the adjustable foot from the bottom left side of the cabinet. Remove the lower hinge from the bottom right side of the cabinet.
5. Unscrew the hinge pin and remove it from the lower hinge.
6. Flip over the lower hinge.
7. Reinstall the hinge pin.
8. Install the lower hinge on the bottom left side of the cabinet. Install the adjustable foot on the lower right side of the cabinet. Install the refrigerator door on the cabinet.
9. Flip the center hinge over and install it on the left side of the cabinet.
10. Install the freezer door on the cabinet. Install the upper hinge on the top left side of the cabinet. Install the screw hole cover on the top right side of the cabinet.



CARE & MAINTENANCE

CLEANING

Ensure the appliance is unplugged before cleaning.

- To clean the inside of the appliance, use a soft cloth and a solution of a tablespoon of baking soda to one quart of water or a mild soap solution or some mild detergent.
- Wash removable shelves in a mild detergent solution, then dry and wipe with a soft cloth.
- Clean the outside with a soft, damp cloth and some mild detergent.
- It is important to keep the area clean where the door seals against the cabinet. Clean this area with a soapy cloth. Rinse with a damp cloth and let dry.
- To avoid any defrosted water overflowing into the fridge, periodically clean the drain hole at the back of the refrigerator compartment.

Note: Do not use cleaners containing ammonia or alcohol on the appliance. Ammonia or alcohol can damage the appearance of the appliance. Never use any commercial or abrasive cleaners or sharp objects on any part of the appliance.

POWER FAILURE

Most power failures are corrected within a few hours and should not affect the temperature of your appliance if you minimize the number of times the door is opened. If the power is going to be off for a longer period of time, take the proper steps to protect your contents.

Note: Wait 3 to 5 minutes before attempting to restart the refrigerator if operation has been interrupted.

VACATION

- Short vacations: Leave the appliance operating during vacations of less than three weeks.
- Long vacations: If the appliance will not be used for several months, remove all items and turn off the appliance. Clean and dry the interior thoroughly. To prevent odor and mold growth, leave the door open slightly, blocking it open if necessary.

MOVING

- Remove all items.
- Securely tape down all shelves inside the appliance.
- Turn the adjustable foot up to the base to avoid damage.
- Tape the door shut.
- Be sure the appliance remains in the upright position during transportation. Protect the outside of the appliance with a blanket.
- If the appliance is placed on its back or side during transportation, upon reaching the destination, allow it to remain upright for 6 hours before plugging in to allow the coolant to settle.

DISPOSAL

This appliance may not be treated as regular household waste, it should be taken to the appropriate waste collection point for recycling of electrical components. For information on local waste collection points, contact your local waste removal agency or government office.

FREQUENTLY ASKED QUESTIONS

What are the standard wattage and amps used?

This information can be found on the rating plate located on the back of the cabinet.

How much does it cost to run the freezer?

Please refer to the energy guide found with the refrigerator or online at www.Danby.com.

Can I use an extension cord?

No, an extension cord may not be used.

I am having trouble opening the door; why?

The refrigerator or freezer door may be difficult to open immediately after closing them. This is normal and is due to the pressure difference between the cold interior and the warm air that has just entered the cabinet. The pressure will equalize within a few minutes.

I had my fridge on its side to bring it home. Do I have to let it sit? And for how long?

Yes, please allow it to sit upright for 6 hours before plugging it in.

The refrigerator smells like new plastic. How do I make it go away?

It is common for new appliances to have a slight plastic smell. Ensure that you have removed all packing material. Clean the inside of the cabinet by following the cleaning instructions. Once completed, place an open box of baking soda in the refrigerator to absorb any remaining odour.

TROUBLESHOOTING

No power

- A fuse may be blown or the circuit breaker tripped
- Plug not fully inserted into the wall outlet

Internal temperature not cold enough

- Temperature setting is too warm
- The door is not shut properly or opened excessively
- Recently added a large quantity of warm food to the cabinet
- Close proximity to heat source or direct sunlight
- Ambient temperature or humidity is very high

Refrigerator runs continuously

- Temperature setting is too cold
- The door is not shut properly or opened excessively
- Recently added a large quantity of warm food to the cabinet
- Close proximity to heat source or direct sunlight
- Ambient temperature or humidity is very high

Refrigerator makes a gurgling noise when operating

- This noise is completely normal. The refrigerant inside the appliance will make a gurgling noise as it changes from a liquid to a gas and back again.

LIMITED "IN HOME" WARRANTY

This quality product is warranted to be free from manufacturer's defects in material and workmanship, provided that the unit is used under the normal operating conditions intended by the manufacturer.

This warranty is available only to the person to whom the unit was originally sold by Danby Products Limited (Canada) or Danby Products Inc. (U.S.A.) (hereafter "Danby") or by an authorized distributor of Danby, and is non-transferable.

TERMS OF WARRANTY

Plastic parts are warranted for thirty (30) days from the date of purchase, with no extensions provided.

First 24 months During the first **twenty four (24) months**, any functional parts of this product found to be defective, will be repaired or replaced, at warrantor's option, at no charge to the original purchaser.

To obtain service Contact the dealer where the unit was purchased, or contact the nearest authorized Danby service depot, where service must be performed by a qualified service technician. If service is performed on the unit by anyone other than an authorized service depot, all obligations of Danby under this warranty shall be void.

Boundaries of in-home service Danby reserves the right to limit the boundaries of "In Home Service" to the proximity of an authorized service depot. Any appliance requiring service outside the limited boundaries of "In Home Service", will be the consumer's responsibility to transport at their own expense to the original point of purchase or a service depot for repair. If the appliance is installed in a location that is **100 kilometers (62 miles)** or more from the nearest service center, it must be delivered to the nearest authorized Danby Service Depot by the purchaser.

Transportation charges to and from the service location are not protected by this warranty and are the responsibility of the purchaser.

Nothing within this warranty shall imply that Danby will be responsible or liable for any spoilage or damage to food or other contents of this appliance, whether due to any defect of the appliance, or its use, whether proper or improper.

EXCLUSIONS

Save as herein provided, by Danby, there are no other warranties, conditions, representations or guarantees, express or implied, made or intended by Danby or its authorized distributors and all other warranties, conditions, representations or guarantees, including any warranties, conditions, representations or guarantees under any Sale of Goods Act or like legislation or statute is hereby expressly excluded. Save as herein provided, **Danby shall not be responsible for any damages to persons or property, including the unit itself, howsoever caused or any consequential damages arising from the malfunction of the unit and by the purchase of the unit, the purchaser does hereby agree to indemnify and hold harmless Danby from any claim for damages to persons or property caused by the unit.**

GENERAL PROVISIONS

No warranty or insurance herein contained or set out shall apply when damage or repair is caused by any of the following:

- 1) Power failure.
- 2) Damage in transit or when moving the appliance.
- 3) Improper power supply such as low voltage, defective house wiring or inadequate fuses.
- 4) Accident, alteration, abuse or misuse of the appliance such as inadequate air circulation in the room or abnormal operating conditions (ie. extremely high or low room temperature).
- 5) Use for commercial or industrial purposes (ie. If the appliance is not installed in a domestic residence).
- 6) Fire, water damage, theft, war, riot, hostility, acts of God such as hurricanes, floods etc.
- 7) Service calls resulting in customer education.
- 8) Improper Installation (ie. Building-in of a free standing appliance or using an appliance outdoors that is not approved for outdoor application, including but not limited to: garages, patios, porches or anywhere that is not properly insulated or climate controlled).

Proof of purchase date will be required for warranty claims; retain bills of sale. In the event that warranty service is required, present the proof of purchase to our authorized service depot.

**Warranty Service
In Home**

Danby Products Limited
PO Box 1778, Guelph, Ontario, Canada N1H 6Z9
Telephone: (519) 837-0920 FAX: (519) 837-0449

**1-800-263-2629
04/17**

Danby Products Inc.
PO Box 669, Findlay, Ohio, U.S.A. 45840
Telephone: (419) 425-8627 FAX: (419) 425-8629

Bienvenue dans la famille Danby.

Nous sommes fiers de nos produits de qualité et nous croyons en un service fiable. Nous vous suggérons de lire ce manuel du propriétaire avant de brancher votre nouvel appareil car il contient des informations de fonctionnement importantes, des informations de sécurité, des conseils de dépannage et d'entretien pour assurer la fiabilité et la longévité de votre appareil.

Vous avez droit à la couverture de la garantie décrite dans le manuel du propriétaire fourni avec votre nouvel appareil.

1. Veuillez noter ci-dessous les informations relatives à votre appareil. **Vous devez conserver la preuve d'achat originale pour valider et bénéficier des services de garantie.**
2. Enregistrez votre produit en ligne et recevez une **PROLONGATION DE GARANTIE GRATUITE DE 2 MOIS** après avoir rempli une enquête sur les produits, à l'adresse www.danby.com/support/product-registration/

Numéro de modèle : _____

Numéro de série : _____

Date d'achat : _____

Besoin d'assistance?

1. Lisez votre manuel du propriétaire pour obtenir de l'aide à l'installation, au dépannage et à la maintenance.
2. Visitez www.Danby.com pour accéder aux outils en libre-service, aux FAQ et bien plus encore en recherchant votre numéro de modèle dans la barre de recherche.
3. Pour bénéficier du **service client le plus rapide**, veuillez remplir le formulaire Web à l'adresse www.danby.com/support. Votre soumission ira directement à un expert de votre appareil particulier. Nos temps de réponse moyens sont compris entre 20 minutes et 2 heures, pendant les heures ouvrables EST.
4. Composez le **1-800-263-2629** - veuillez noter que pendant les heures de pointe, les temps d'attente peuvent dépasser une heure.



Consignes de sécurité importantes

LIRE ET SUIVRE TOUTES LES INSTRUCTIONS DE SÉCURITÉ

EXIGENCES DE SÉCURITÉ

DANGER : Risque d'incendie ou d'explosion.
Liquide frigorigène inflammable utilisé. Ne pas percer les tubes de réfrigérant.

- N'utilisez pas de dispositifs mécaniques pour dégivrer le réfrigérateur.
- Assurez-vous que l'entretien est effectué par le personnel de service autorisé en usine, afin de minimiser les dommages sur les produits ou les questions de sécurité.
- Consultez le manuel de réparation ou le guide du propriétaire avant d'essayer de réparer ce produit. Toutes les précautions de sécurité doivent être respectées.
- Éliminer conformément aux règlements fédéraux ou locaux.
- Suivez attentivement les instructions de manutention.
- Ne pas stocker des substances explosives comme les bombes aérosol avec un propulseur inflammable dans cet appareil.

AVERTISSEMENT : Garder les ouvertures de ventilation, dans l'enceinte de l'appareil ou dans la structure intégrée, sans obstruction.

AVERTISSEMENT : N'utilisez pas de dispositifs mécaniques ou d'autres moyens pour accélérer le processus de dégivrage, autres que ceux recommandés par le fabricant.

AVERTISSEMENT : Ne pas endommager le circuit de réfrigérant.

AVERTISSEMENT : N'utilisez pas d'appareils électriques à l'intérieur des compartiments de stockage d'aliments de l'appareil, à moins qu'ils ne soient du type recommandé par le fabricant.

ATTENTION : Les enfants devraient être surveillés pour s'assurer qu'ils ne jouent pas avec l'appareil.

DANGER : Risque de piégeage des enfants. Avant de jeter un ancien appareil :

- Retirez la porte ou le couvercle.
- Laissez les étagères en place afin que les enfants ne puissent pas facilement monter à l'intérieur.

DANGER: N'ajoutez pas de verrou à la porte ou au couvercle. Cela peut entraîner le piégeage et le préjudice des enfants.

EXIGENCES DE SÉCURITÉ

Cet appareil n'est pas destiné à être utilisé par des personnes (y compris des enfants) dont les capacités physiques, sensorielles ou mentales peuvent être différentes ou réduites, ou qui n'ont pas d'expérience ou de connaissances, à moins que ces personnes ne reçoivent de supervision ou de formation pour faire fonctionner l'appareil par une personne responsable de leur sécurité.

Cet appareil est destiné à être utilisé dans des applications domestiques et similaires telles que:

- Cuisines du personnel dans les magasins, les bureaux et autres environnements de travail;
- Les maisons de ferme et par les clients dans les hôtels, motels et autres environnements de type résidentiel;
- Chambres d'hôtes;
- Restauration et applications similaires non commerciales.

INSTRUCTIONS DE MISE À LA TERRE

Cet appareil doit être mis à la terre. La mise à la terre réduit le risque de choc électrique en fournissant un fil d'échappement pour le courant électrique.

Cet appareil possède un cordon doté d'un fil de mise à la terre avec une fiche à 3 broches. Le cordon d'alimentation doit être branché sur une prise correctement mise à la terre. Si la sortie est une prise murale à 2 broches, elle doit être remplacée par une prise murale à 3 broches correctement mise à la terre. La plaque signalétique en série indique la tension et la fréquence auxquelles l'appareil est conçu.

AVERTISSEMENT - Une utilisation incorrecte de la fiche de mise à la terre peut entraîner un risque d'électrocution. Consultez un électricien qualifié ou un agent de service si les instructions de mise à la terre ne sont pas complètement comprises ou s'il existe un doute quant à savoir si l'appareil est correctement mis à la terre.

Ne branchez pas votre appareil à des rallonges ou avec un autre appareil dans la même prise murale.

Ne pas épisser le cordon d'alimentation. Ne coupez ou retirez en aucun cas la troisième broche du cordon d'alimentation. N'utilisez pas de cordons de prolongement ou d'adaptateurs sans mise à la terre (deux broches).

Si le cordon d'alimentation est endommagé, il doit être remplacé par le fabricant, son agent de service ou une personne qualifiée similaire afin d'éviter tout risque.

GARDEZ CES INSTRUCTIONS!

INSTRUCTIONS D'INSTALLATION

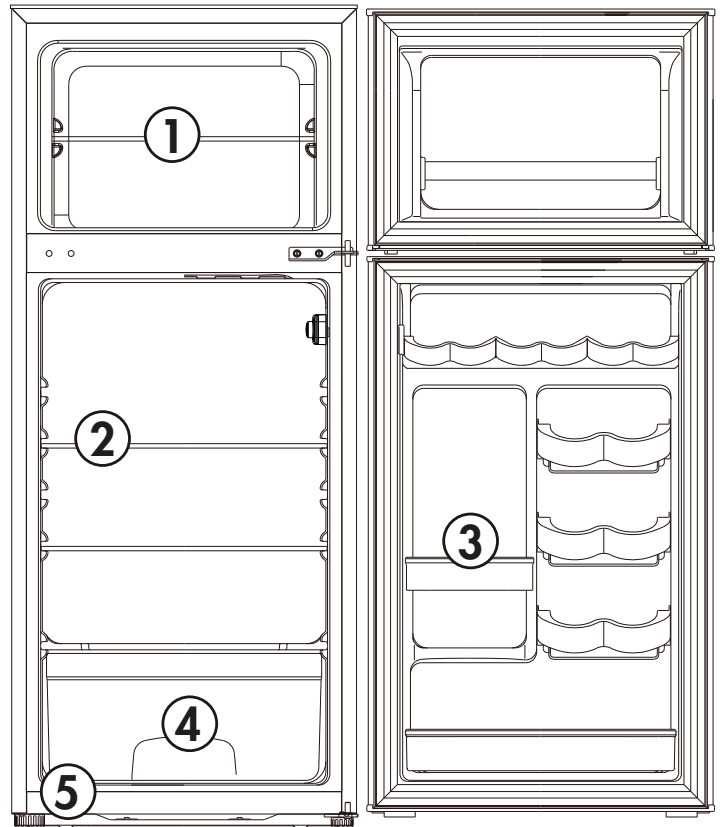
EMPLACEMENT

- Deux personnes doivent être utilisées pour déplacer l'appareil.
- Retirez l'emballage intérieur et extérieur avant l'installation. Essuyez l'extérieur de l'appareil avec un chiffon doux et sec et l'intérieur avec un chiffon humide tiède.
- Placez l'appareil sur un sol suffisamment solide pour le supporter lorsqu'il est complètement chargé.
- Ne placez pas l'appareil à la lumière directe du soleil ou à proximité de sources de chaleur, telles qu'une cuisinière ou un radiateur, car cela peut augmenter la consommation électrique. Des températures ambiantes extrêmement froides peuvent également entraîner un mauvais fonctionnement de l'appareil.
- N'utilisez pas l'appareil près de l'eau, par exemple dans un sous-sol humide ou près d'un évier.
- Cet appareil est destiné à un usage domestique uniquement. Il n'est pas conçu pour une installation à l'extérieur, y compris partout où la température n'est pas contrôlée (garages, porches, véhicules, etc.).
- Avant de brancher l'appareil à une source d'alimentation, laissez-le debout pendant environ 6 heures. Cela réduira la possibilité d'un dysfonctionnement du système de refroidissement dû à la manipulation pendant le transport.
- Cet appareil mesure 48 cm (18,9 pouces) de largeur, 116 cm (45,7 pouces) de hauteur et 53 cm (20,9 pouces) de profondeur.
- Laissez un espace de 5 cm (2 pouces) entre l'arrière, les côtés et le dessus de l'appareil et tous les murs adjacents.
- Cet appareil est destiné à une installation autonome uniquement et n'est pas destiné à être encastré dans une armoire ou un comptoir. L'encastrement de cet appareil peut provoquer son dysfonctionnement.

CONSIGNES D'UTILISATION

CARACTÉRISTIQUES

1. Étagère de congélateur
2. Étagères de réfrigérateur en verre
3. Balconnets de porte
4. Bac à légumes
5. Pied réglable



IMPORTANT

Assurez-vous que la porte est complètement fermée lorsque l'appareil est en marche. Le fait de ne pas fermer complètement la porte peut entraîner une condensation excessive et des dégâts d'eau potentiels au plancher sous l'appareil. Danby ne sera pas responsable des dommages résultant d'une mauvaise utilisation.

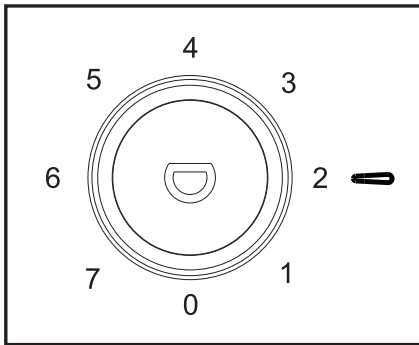
CONSIGNES D'UTILISATION

SÉLECTION DE LA TEMPÉRATURE

La température de l'appareil peut être réglée en tournant le bouton du thermostat.

- Les chiffres les plus élevés indiquent le réglage le plus froid.
- Les chiffres inférieurs indiquent le réglage le plus chaud.
- La position « 0 » désactivera la fonction de refroidissement.
- Le réglage recommandé pour une utilisation quotidienne normale est 3.

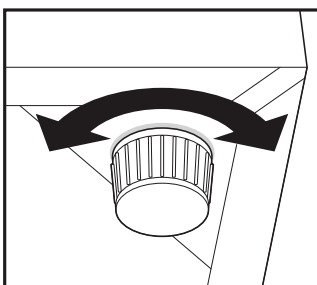
La température interne de l'appareil peut varier en fonction de la température ambiante, de la quantité d'articles stockés et de la fréquence d'ouverture de la porte.



INSTRUCTIONS DE NIVEAU

Il y a un pied réglable au bas de l'appareil qui peut être tourné vers le haut ou vers le bas pour s'assurer que l'appareil est de niveau.

1. Tournez le pied de nivellement dans le sens inverse des aiguilles d'une montre jusqu'à ce que le haut du pied touche le bas de l'armoire.
2. Tournez lentement le pied de nivellement dans le sens des aiguilles d'une montre jusqu'à ce que l'appareil soit de niveau.



DÉGIVRAGE DE L'APPAREIL

Le congélateur de cet appareil est équipé d'un système de dégivrage manuel. Le congélateur doit être dégivré environ tous les six mois ou chaque fois que la couche de givre à l'intérieur du compartiment congélateur atteint 6 mm (1/4") d'épaisseur. Le dégivrage peut prendre quelques heures, selon la quantité de glace accumulée et la température intérieure ambiante.

Pour commencer le processus de décongélation, retirez tous les aliments de l'appareil et débranchez-le de la source d'alimentation. La glace du compartiment congélateur fondra et s'écoulera dans une casserole au-dessus du compresseur où elle s'évaporerait. Placez une bassine ou une serviette sous l'appareil pour récupérer l'eau qui pourrait déborder du bac de récupération. Pour accélérer le processus de décongélation, laissez les portes ouvertes.

Surveillez attentivement le réfrigérateur pendant le processus de dégivrage pour éviter que de l'eau ne se renverse et n'endommage les sols ou les plans de travail.

Une fois la décongélation terminée, réglez la commande du thermostat sur le réglage maximum et laissez l'appareil fonctionner à vide pendant environ 2 à 3 heures avant de revenir au réglage souhaité et de remplacer les aliments.

Remarque : N'utilisez jamais d'instruments tranchants ou pointus pour retirer la glace du compartiment congélateur. Le compartiment congélateur contient des conduites de gaz réfrigéré et s'il est accidentellement percé, il rendra le réfrigérateur inutilisable et annulera la garantie du fabricant. Ne laissez pas le réfrigérateur continuer à fonctionner si le compartiment congélateur est percé.

ÉTAGÈRES RÉGLABLES

Les étagères en verre du réfrigérateur peuvent être positionnées à volonté sur les glissières internes.

Les étagères de la porte peuvent être ajustées en les tirant doucement vers le haut, puis en les repositionnant comme vous le souhaitez.

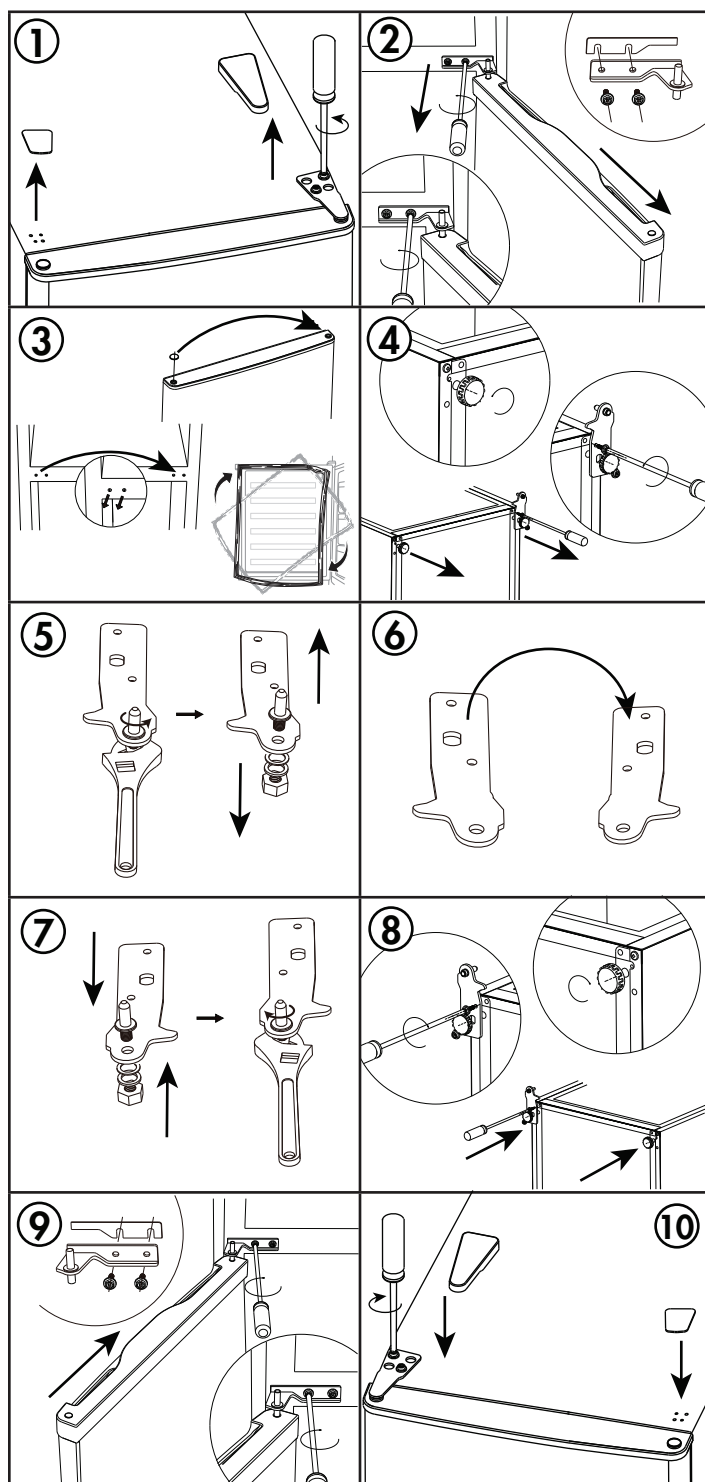
CONSIGNES D'UTILISATION

INSTRUCTIONS D'INVERSION DE PORTE

Si l'appareil est placé sur le dos ou sur le côté pendant une durée quelconque au cours de ce processus, il doit rester debout pendant 6 heures avant de le brancher pour éviter d'endommager les composants internes.

Assurez-vous que les joints en caoutchouc sur les portes forment une bonne étanchéité avec l'armoire tout autour avant de serrer les vis des charnières.

1. Retirez le couvercle de la charnière supérieure et la charnière supérieure du côté supérieur droit de l'armoire. Retirez le couvercle du trou de vis du côté supérieur gauche de l'armoire. Retirez la porte du congélateur de l'armoire.
2. Retirez la charnière centrale de l'armoire. Retirez la porte du réfrigérateur de l'armoire.
3. Retirez les couvercles des trous de charnière du côté supérieur gauche des portes du réfrigérateur et du congélateur et installez-les sur le côté supérieur droit des deux portes. Retirez les couvercles des trous de vis du côté central gauche de l'armoire et installez-les sur le côté central droit de l'armoire. Détachez les joints en caoutchouc des portes du réfrigérateur et du congélateur, faites-les pivoter de 180° puis remettez-les en place.
4. Retirez le pied réglable du côté inférieur gauche de l'armoire. Retirez la charnière inférieure du côté inférieur droit de l'armoire.
5. Dévissez l'axe de charnière et retirez-le de la charnière inférieure.
6. Retournez la charnière inférieure.
7. Réinstallez l'axe de charnière.
8. Installez la charnière inférieure sur le côté inférieur gauche de l'armoire. Installez le pied réglable sur le côté inférieur droit de l'armoire. Installez la porte du réfrigérateur sur l'armoire.
9. Retournez la charnière centrale et installez-la sur le côté gauche de l'armoire.
10. Installez la porte du congélateur sur l'armoire. Installez la charnière supérieure sur le côté supérieur gauche de l'armoire. Installez le couvercle du trou de vis sur le côté supérieur droit de l'armoire.



NETTOYAGE

Assurez-vous que l'appareil est débranché avant de le nettoyer.

- Pour nettoyer l'intérieur de l'appareil, utilisez un chiffon doux et une solution d'une cuillère à soupe de bicarbonate de soude dans un litre d'eau ou une solution de savon doux ou un détergent doux.
- Lavez les étagères amovibles dans une solution détergente douce, puis séchez-les et essuyez-les avec un chiffon doux.
- Nettoyez l'extérieur avec un chiffon doux et humide et un peu de détergent doux.
- Il est important de garder propre la zone où la porte se scelle contre l'armoire. Nettoyez cette zone avec un chiffon savonneux. Rincez avec un chiffon humide et laissez sécher.
- Pour éviter que l'eau décongelée ne déborde dans le réfrigérateur, nettoyez périodiquement l'orifice de vidange à l'arrière du compartiment réfrigérateur.

Remarque : N'utilisez pas de nettoyeurs contenant de l'ammoniac ou de l'alcool sur l'appareil. L'ammoniac ou l'alcool peuvent endommager l'apparence de l'appareil. N'utilisez jamais de nettoyeurs commerciaux ou abrasifs ou d'objets pointus sur aucune partie de l'appareil.

PANNE DE COURANT

La plupart des pannes de courant sont corrigées en quelques heures et ne devraient pas affecter la température de votre appareil si vous minimisez le nombre d'ouvertures de la porte. Si l'alimentation doit être coupée pendant une longue période, prenez les mesures appropriées pour protéger votre contenu.

Remarque : Attendez 3 à 5 minutes avant de tenter de redémarrer le réfrigérateur si le fonctionnement a été interrompu.

VACANCES

- Courtes vacances : Laissez l'appareil fonctionner pendant les vacances de moins de trois semaines.
- Longues vacances : Si l'appareil n'est pas utilisé pendant plusieurs mois, retirez tous les éléments et éteignez l'appareil. Nettoyez et séchez soigneusement l'intérieur. Pour éviter la formation d'odeurs et de moisissures, laissez la porte légèrement ouverte, en la bloquant si nécessaire.

DÉMÉNAGER

- Supprimez tous les éléments.
- Collez solidement toutes les étagères à l'intérieur de l'appareil.
- Tournez le pied réglable jusqu'à la base pour éviter tout dommage.
- Fermez la porte avec du ruban adhésif.
- Assurez-vous que l'appareil reste en position verticale pendant le transport. Protégez l'extérieur de l'appareil avec une couverture.
- Si l'appareil est placé sur le dos ou sur le côté pendant le transport, une fois arrivé à destination, laissez-le rester debout pendant 6 heures avant de le brancher pour permettre au liquide de refroidissement de se déposer.

ÉLIMINATION

Cet appareil ne doit pas être traité comme un déchet ménager ordinaire, il doit être apporté au point de collecte des déchets approprié pour le recyclage des composants électriques. Pour plus d'informations sur les points de collecte des déchets locaux, contactez votre agence locale d'enlèvement des déchets ou le bureau du gouvernement.

QUESTIONS FRÉQUEMMENT POSÉES

Quels sont la puissance standard et les amplis utilisés ?

Ces informations se trouvent sur la plaque signalétique située à l'arrière de l'armoire.

Combien coûte le fonctionnement du congélateur ?

Veillez consulter le guide énergétique fourni avec le réfrigérateur ou en ligne sur www.Danby.com.

Puis-je utiliser une rallonge ?

Non, une rallonge ne peut pas être utilisée.

J'ai du mal à ouvrir la porte ; Pourquoi?

La porte du réfrigérateur ou du congélateur peut être difficile à ouvrir immédiatement après sa fermeture. Ceci est normal et est dû à la différence de pression entre l'intérieur froid et l'air chaud qui vient d'entrer dans l'armoire. La pression s'égalisera en quelques minutes.

J'avais mon frigo sur le côté pour le ramener à la maison. Dois-je le laisser reposer ? Et pour combien de temps ?

Oui, veuillez le laisser reposer pendant 6 heures avant de le brancher.

Le réfrigérateur sent le plastique neuf. Comment puis-je le faire disparaître?

Il est courant que les nouveaux appareils aient une légère odeur de plastique. Assurez-vous d'avoir retiré tout le matériel d'emballage. Nettoyez l'intérieur de l'armoire en suivant les instructions de nettoyage. Une fois terminé, placez une boîte ouverte de bicarbonate de soude dans le réfrigérateur pour absorber toute odeur restante.

DÉPANNAGE

Aucune puissance

- Un fusible peut être grillé ou le disjoncteur s'est déclenché
- La fiche n'est pas complètement insérée dans la prise murale

Température interne pas assez froide

- Le réglage de la température est trop chaud
- La porte est mal fermée ou ouverte de manière excessive
- Récemment ajouté une grande quantité d'aliments chauds dans l'armoire
- Proximité d'une source de chaleur ou de la lumière directe du soleil
- La température ou l'humidité ambiante est très élevée

Le réfrigérateur fonctionne en continu

- Le réglage de la température est trop froid
- La porte est mal fermée ou ouverte de manière excessive
- Récemment ajouté une grande quantité d'aliments chauds dans l'armoire
- Proximité d'une source de chaleur ou de la lumière directe du soleil
- La température ou l'humidité ambiante est très élevée

Le réfrigérateur émet un gargouillement lorsqu'il fonctionne

- Ce bruit est tout à fait normal. Le réfrigérant à l'intérieur de l'appareil émet un gargouillement lorsqu'il passe d'un liquide à un gaz et vice-versa.

GARANTIE LIMITÉE « À DOMICILE »

Cet appareil de qualité est garanti exempt de tout vice de matière première et de fabrication, s'il est utilisé dans les conditions normales recommandées par le fabricant.

Cette garantie n'est offerte qu'à l'acheteur initial de l'appareil vendu par Danby Products Limited (Canada) ou Danby Products Inc. (É.-U.) (ci-après « Danby ») ou par l'un de ses distributeurs agréés et elle ne peut être transférée.

CONDITIONS

Les pièces en plastique sont garanties pendant trente (30) jours seulement à partir de la date de l'achat, sans aucune prolongation prévue.

Premiers 24 mois Pendant les premiers **vingt quatre (24) mois**, toutes les pièces fonctionnelles de ce produit qui s'avèrent défectueuses seront réparées ou remplacées, selon le choix du garant, sans frais à l'acheteur initial.

Pour bénéficiaire du service S'adresser au détaillant qui a vendu l'appareil, ou à la station technique agréée de service la plus proche, où les réparations doivent être effectuées par un technicien qualifié. Si les réparations sont effectuées par quiconque autre que la station de service agréée ou à des fins commerciales, toutes les obligations de Danby en vertu de cette garantie seront annulées.

Limites de l'entretien à domicile Danby se réserve le droit de limiter les limites de « Service au domicile » à proximité d'un dépôt de service agréé. Pour tout appareil nécessitant le service hors des limites de "Service à domicile" il sera la responsabilité du consommateur de transporter à ses frais au point d'achat d'origine ou un dépôt de service pour la réparation. Si l'appareil est installé à plus de **100 kilomètres (62 milles)** du centre de service le plus proche, il doit être livré à l'atelier de réparation autorisé par Danby le plus proche, car l'entretien doit uniquement être réalisé par un technicien qualifié et certifié pour effectuer un entretien couvert par la garantie de Danby.

Les frais de transport entre votre domicile et le lieu de l'entretien ne sont pas couverts par la présente garantie et doivent être acquittés par l'acheteur.

Aucune partie de la garantie ne prévoit implicitement que le fabricant sera tenu responsable des dommages subis par les aliments ou d'autres types de contenu, qu'ils soient causés par la défectuosité de l'appareil ou par son usage adéquat ou inadéquat.

EXCLUSIONS

En vertu de la présente, il n'existe aucune autre garantie, condition ou représentation, qu'elle soit exprimée ou tacite, de façon manifeste ou intentionnelle, par Danby ou ses distributeurs agréés. De même, sont exclues toutes les autres garanties, conditions ou représentations, y compris les garanties, conditions ou représentations en vertu de toute loi régissant la vente de produits ou de toute autre législation ou règlement semblable. **En vertu de la présente, Danby ne peut être tenue responsable en cas de blessures corporelles ou de dégâts matériels, y compris à l'appareil, quelle qu'en soit la cause. Danby ne peut pas être tenue responsable des dommages indirects dus au fonctionnement défectueux de l'appareil. En achetant l'appareil, l'acheteur accepte de tenir sans reproche et de dégager Danby de toute responsabilité en cas de réclamation pour toute blessure corporelle ou tout dégât matériel causé par cet appareil.**

CONDITIONS GÉNÉRALES

La garantie ou assurance ci-dessus ne s'applique pas si les dégâts ou réparations sont dus aux cas suivants :

- 1) Panne de courant.
- 2) Dommages subis pendant le transport ou le déplacement de l'appareil.
- 3) Alimentation électrique incorrecte (tension faible, câblage défectueux, fusibles incorrects).
- 4) Accident, modification, emploi abusif ou incorrect de l'appareil tel qu'une circulation d'air inadéquate dans la pièce ou des conditions de fonctionnement anormales (température extrêmement élevée ou basse).
- 5) Utilisation dans un but commercial ou industriel (à savoir, si l'appareil n'est pas installé dans un domicile résidentiel).
- 6) Incendie, dommages causés par l'eau, le vol, la guerre, une émeute, des hostilités, ou en cas de force majeure (ouragan, inondation, etc.).
- 7) Visites d'un technicien pour expliquer le fonctionnement de l'appareil au propriétaire.
- 8) Installation inappropriée (par exemple, encastrement d'un appareil autoportant, ou utilisation extérieure d'un appareil non conçu à cet effet, y compris, mais sans s'y limiter : les garages, les patios, les porches ou ailleurs, qui ne sont pas correctement isolés ou climatisés).

La preuve de la date d'achat sera requise pour les réclamations de garantie; conserver la facture de vente. Dans le cas où un service de garantie est requis, présentez la preuve d'achat à notre dépôt de service agréé.

Service sous garantie

Service au domicile

Danby Products Limited
PO Box 1778, Guelph, Ontario, Canada N1H 6Z9
Téléphone : (519) 837-0920 Télécopieur : (519) 837-0449

1-800-263-2629

02/18

Danby Products Inc.
PO Box 669, Findlay, Ohio, U.S.A. 45840
Téléphone : (419) 425-8627 Télécopieur : (419) 425-8629

Bienvenido a la familia Danby.

Estamos orgullosos de nuestros productos de calidad y creemos en un servicio confiable. Le sugerimos que lea este manual del propietario antes de enchufar su nuevo electrodoméstico, ya que contiene información importante de funcionamiento, información de seguridad, solución de problemas y consejos de mantenimiento para garantizar la confiabilidad y longevidad de su electrodoméstico.

Tiene derecho a la cobertura de la garantía como se describe en el manual del propietario que se proporciona con su nuevo electrodoméstico.

1. Escriba la información de su aparato a continuación. **Debe conservar el comprobante de compra original para validar y recibir los servicios de garantía.**
2. Registre su producto en línea y reciba una **EXTENSIÓN DE GARANTÍA GRATUITA DE 2 MESES** después de completar una encuesta sobre el producto, en www.danby.com/support/product-registration/

Número de modelo: _____

Número de serie: _____

Fecha de compra: _____

Necesitas ayuda?

1. Lea el manual del propietario para obtener ayuda con la instalación, resolución de problemas y asistencia de mantenimiento.
2. Visite www.Danby.com para acceder a herramientas de autoservicio, preguntas frecuentes y mucho más buscando su número de modelo en la barra de búsqueda.
3. Para obtener el **servicio al cliente más rápido**, complete el formulario web en www.danby.com/support. Su envío irá directamente a un experto en su dispositivo en particular. Nuestros tiempos de respuesta promedio son entre 20 minutos y 2 horas, durante el horario comercial EST.
4. Llame al **1-800-263-2629**; tenga en cuenta que durante las horas pico, los tiempos de espera pueden exceder una hora.



Importantes Instrucciones de Seguridad

LEA Y SIGA TODAS LAS INSTRUCCIONES DE SEGURIDAD

REQUERIMIENTOS DE SEGURIDAD

PELIGRO: Riesgo de incendio o explosión. Refrigerante inflamable usado. No perforar la tubería del refrigerante.

- No utilice dispositivos mecánicos para descongelar el refrigerador.
- Asegúrese de que el personal de mantenimiento autorizado por la fábrica haga el mantenimiento para minimizar los daños o problemas de seguridad del producto.
- Consulte el manual de reparación o la guía del propietario antes de intentar reparar este producto. Todas las precauciones de seguridad deben ser seguidas.
- Deseche adecuadamente de acuerdo con las regulaciones federales o locales.
- Siga cuidadosamente las instrucciones de manipulación.
- No almacene sustancias explosivas como aerosoles con propelente inflamable en este electrodoméstico.

ADVERTENCIA: Mantenga las aberturas de ventilación, en la caja del aparato o en la estructura incorporada, sin obstrucción.

ADVERTENCIA: No utilice dispositivos mecánicos u otros medios para acelerar el proceso de descongelación, distintos de los recomendados por el fabricante.

ADVERTENCIA: No dañar el circuito refrigerante.

ADVERTENCIA: No utilice electrodomésticos dentro de los compartimentos de almacenamiento de alimentos del aparato, a menos que sean del tipo recomendado por el fabricante.

PRECAUCIÓN: Los niños deben ser supervisados para asegurarse de que no juegan con el aparato.

PELIGRO: Riesgo de atrapamiento de niños. Antes de tirar un electrodoméstico viejo:

- Retire la puerta o la tapa.
- Deje los estantes en su lugar para que los niños no puedan subir fácilmente dentro.

PELIGRO: No agregue un candado a la puerta o tapa. Esto puede causar atrapamiento y daño al niño.

REQUERIMIENTOS DE SEGURIDAD

Este aparato no está diseñado para ser usado por personas (incluyendo niños) cuyas capacidades físicas, sensoriales o mentales pueden ser diferentes o reducir, o que carecen de experiencia o conocimiento, a menos que dichas personas reciban supervisión o entrenamiento para operar el aparato por una persona responsable de su la seguridad.

Este dispositivo está destinado a ser utilizado en aplicaciones domésticas y similares, tales como:

- Cocinas de personal en tiendas, oficinas y otros entornos de trabajo;
- Casas rurales y clientes en hoteles, moteles y otros entornos de tipo residencial;
- Cama y desayuno;
- Catering y aplicaciones similares no minoristas.

INSTRUCCIONES DE CONEXION A TIERRA

Este aparato debe estar conectado a tierra. La puesta a tierra reduce el riesgo de descarga eléctrica proporcionando un cable de escape para la corriente eléctrica.

Este aparato tiene un cable que tiene un cable de conexión a tierra con un enchufe de 3 clavijas. El cable de alimentación debe estar enchufado en un tomacorriente que esté debidamente conectado a tierra. Si el tomacorriente es un enchufe de pared de 2 terminales, debe ser reemplazado por un tomacorriente de pared de 3 clavijas debidamente conectado a tierra. La placa de características en serie indica el voltaje y la frecuencia que el aparato está diseñado para.

ADVERTENCIA - El uso incorrecto del enchufe de conexión a tierra puede resultar en un riesgo de descarga eléctrica. Consulte a un electricista calificado o agente de servicio si las instrucciones de conexión a tierra no se entienden completamente o si existe duda sobre si el aparato está debidamente conectado a tierra.

No conecte el aparato a los cables de extensión ni con otro aparato en la misma toma de corriente.

No empalme el cable de alimentación. No corte ni extraiga en ningún caso la tercera clavija de tierra del cable de alimentación. No utilice cables de extensión ni adaptadores sin conexión a tierra (dos clavijas).

Si el cable de alimentación está dañado, debe ser reemplazado por el fabricante, su agente de servicio o persona calificada similar para evitar riesgos.

¡GUARDE ESTAS INSTRUCCIONES!

INSTRUCCIONES DE INSTALACIÓN

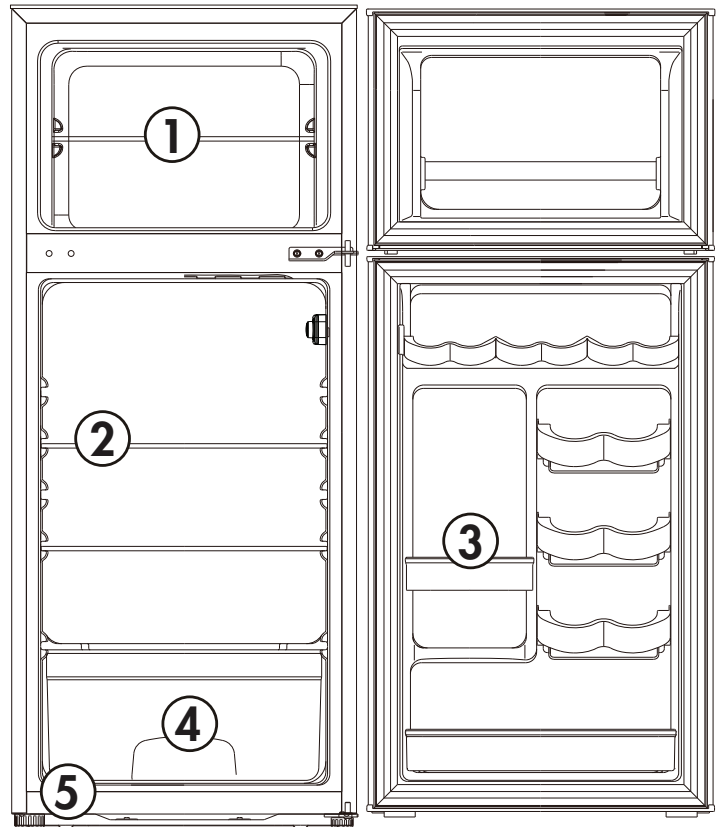
UBICACIÓN

- Se deben utilizar dos personas para mover el aparato.
- Retire el embalaje interior y exterior antes de la instalación. Limpie el exterior del aparato con un paño suave y seco y el interior con un paño húmedo y tibio.
- Coloque el electrodoméstico en un piso que sea lo suficientemente fuerte para soportarlo cuando esté completamente cargado.
- No coloque el aparato bajo la luz solar directa o cerca de fuentes de calor, como una estufa o calentador, ya que esto puede aumentar el consumo eléctrico. Las temperaturas ambientales extremadamente frías también pueden hacer que el aparato funcione incorrectamente.
- No utilice el aparato cerca del agua, por ejemplo, en un sótano húmedo o cerca de un fregadero.
- Este aparato está diseñado únicamente para uso doméstico. No está diseñado para instalación en el exterior, incluso en cualquier lugar que no tenga control de temperatura (garajes, porches, vehículos, etc.).
- Antes de conectar el aparato a una fuente de alimentación, déjelo en posición vertical durante aproximadamente 6 horas. Esto reducirá la posibilidad de un mal funcionamiento en el sistema de refrigeración debido a la manipulación durante el transporte.
- Este aparato mide 48 cm (18,9 pulgadas) de ancho por 116 cm (45,7 pulgadas) de alto por 53 cm (20,9 pulgadas) de profundidad.
- Deje 5 cm (2 pulgadas) de espacio entre la parte posterior, los lados y la parte superior del electrodoméstico y todas las paredes adyacentes.
- Este electrodoméstico está diseñado para una instalación independiente únicamente y no para ser empotrado en un gabinete o mostrador. Construir este aparato puede causar que no funcione correctamente.

INSTRUCCIONES DE OPERACIÓN

CARACTERÍSTICAS

1. Estante del congelador
2. Estantes de refrigerador de vidrio
3. Estantes de la puerta
4. crujiente
5. Pie ajustable



IMPORTANTE

Asegúrese de que la puerta esté completamente cerrada cuando el aparato esté en funcionamiento. Si no cierra completamente la puerta, puede producirse una condensación excesiva y daños potenciales por agua en el piso debajo del electrodoméstico. Danby no será responsable de los daños causados por el mal uso.

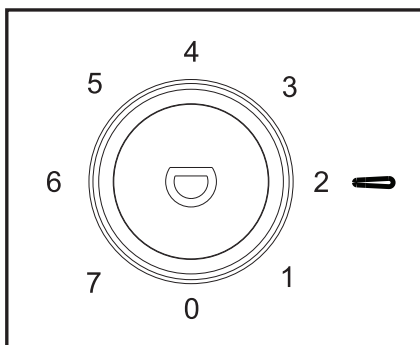
INSTRUCCIONES DE OPERACIÓN

SELECCION DE TEMPERATURA

La temperatura del aparato se puede ajustar girando el dial del termostato.

- Los números más altos indican el ajuste más frío.
- Los números más bajos indican el ajuste más cálido.
- La posición "0" apagará la función de enfriamiento.
- La configuración recomendada para el uso diario normal es 3.

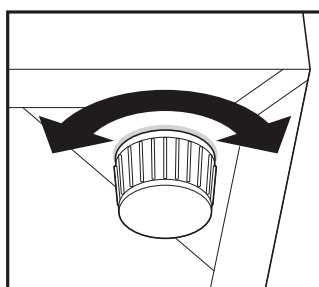
La temperatura interna del aparato puede variar según la temperatura ambiente, la cantidad de artículos almacenados y la frecuencia con la que se abre la puerta.



INSTRUCCIONES DE NIVELACIÓN

Hay un pie ajustable en la parte inferior del aparato que se puede girar hacia arriba o hacia abajo para garantizar que el aparato esté nivelado.

1. Gire la pata niveladora en sentido antihorario hasta que la parte superior de la pata toque la parte inferior del gabinete.
2. Gire lentamente la pata niveladora en el sentido de las agujas del reloj hasta que el aparato esté nivelado.



DESCONGELACIÓN DEL APARATO

El congelador de este aparato está equipado con un sistema de descongelación manual. El congelador debe descongelarse aproximadamente cada seis meses o cada vez que la capa de escarcha dentro del compartimiento del congelador alcance los 6 mm (1/4") de espesor. La descongelación puede tardar algunas horas, según la cantidad de hielo acumulado y la temperatura ambiente interior.

Para comenzar el proceso de descongelación, retire todos los alimentos del aparato y desenchúfelo de la fuente de alimentación. El hielo del compartimiento del congelador se derretirá y drenará en una bandeja sobre el compresor donde se evaporará. Coloque un recipiente o una toalla debajo del electrodoméstico para recoger el agua que pueda desbordarse por la bandeja de drenaje. Para acelerar el proceso de descongelación, deje las puertas abiertas.

Vigile de cerca el refrigerador durante el proceso de descongelación para evitar que se derrame agua y dañe el piso o las encimeras.

Una vez que se complete la descongelación, configure el control del termostato en la configuración máxima y deje que el electrodoméstico funcione vacío durante aproximadamente 2 a 3 horas antes de volver a la configuración deseada y reemplazar los alimentos.

Nota: Nunca use instrumentos afilados o puntiagudos para quitar el hielo del compartimiento del congelador. El compartimiento del congelador contiene líneas de gas refrigerado y, si se perforan accidentalmente, dejarán el refrigerador inoperable y anularán la garantía del fabricante. No permita que el refrigerador continúe funcionando si el compartimiento del congelador está perforado.

ESTANTES AJUSTABLES

Los estantes de vidrio del refrigerador se pueden colocar como se desee en las guías internas.

Los estantes de la puerta se pueden ajustar tirando de ellos suavemente hacia arriba y luego reposicionándolos como se desee.

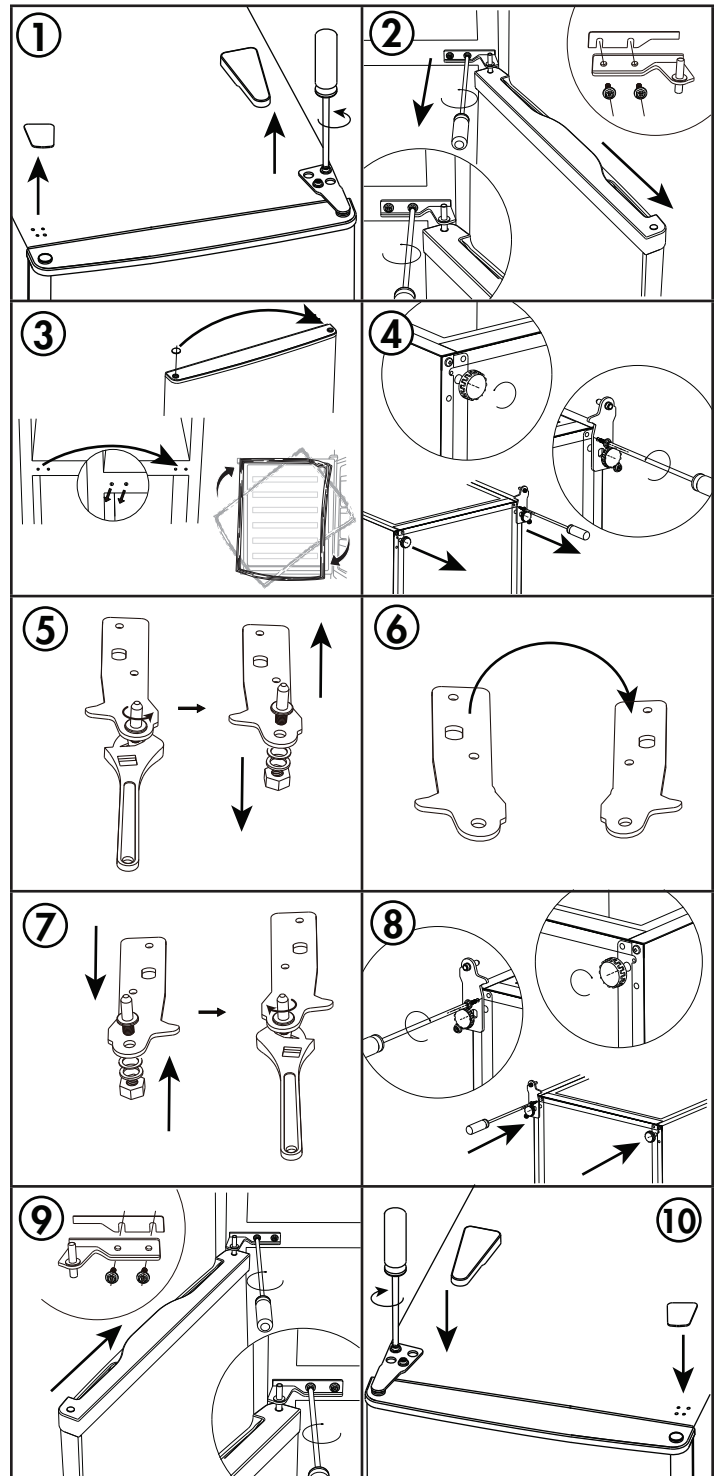
INSTRUCCIONES DE OPERACIÓN

INSTRUCCIONES DE REVERSIÓN DE PUERTA

Si el electrodoméstico se coloca boca arriba o de lado durante cualquier período de tiempo durante este proceso, se debe permitir que permanezca en posición vertical durante 6 horas antes de enchufarlo para evitar daños a los componentes internos.

Asegúrese de que las juntas de goma de las puertas estén bien selladas con el gabinete en todo su perímetro antes de apretar los tornillos de las bisagras.

1. Retire la cubierta de la bisagra superior y la bisagra superior del lado superior derecho del gabinete. Quite la tapa del orificio del tornillo del lado superior izquierdo del gabinete. Retire la puerta del congelador del gabinete.
2. Retire la bisagra central del gabinete. Retire la puerta del refrigerador del gabinete.
3. Retire las cubiertas de los orificios de las bisagras del lado superior izquierdo de las puertas del refrigerador y del congelador e instálelas en el lado superior derecho de ambas puertas. Retire las cubiertas de los orificios para tornillos del lado izquierdo central del gabinete e instálelas en el lado derecho central del gabinete. Retire las juntas de goma de las puertas del refrigerador y del congelador, gírelas 180° y luego vuelva a colocarlas.
4. Retire la pata ajustable del lado inferior izquierdo del gabinete. Retire la bisagra inferior del lado inferior derecho del gabinete.
5. Desenrosque el pasador de la bisagra y retírelo de la bisagra inferior.
6. Voltee la bisagra inferior.
7. Vuelva a instalar el pasador de la bisagra.
8. Instale la bisagra inferior en el lado inferior izquierdo del gabinete. Instale la pata ajustable en el lado inferior derecho del gabinete. Instale la puerta del refrigerador en el gabinete.
9. Voltee la bisagra central e instálela en el lado izquierdo del gabinete.
10. Instale la puerta del congelador en el gabinete. Instale la bisagra superior en el lado superior izquierdo del gabinete. Instale la cubierta del orificio del tornillo en el lado superior derecho del gabinete.



CUIDADO Y MANTENIMIENTO

LIMPIEZA

Asegúrese de que el aparato esté desenchufado antes de limpiarlo.

- Para limpiar el interior del electrodoméstico, use un paño suave y una solución de una cucharada de bicarbonato de sodio en un litro de agua o una solución de jabón suave o algún detergente suave.
- Lave los estantes removibles en una solución de detergente suave, luego séquelos y límpielos con un paño suave.
- Limpie el exterior con un paño suave y húmedo y un poco de detergente suave.
- Es importante mantener limpia el área donde la puerta sella contra el gabinete. Limpie esta área con un paño jabonoso. Enjuague con un paño húmedo y deje secar.
- Para evitar que el agua descongelada se desborde en el refrigerador, limpie periódicamente el orificio de drenaje en la parte posterior del compartimiento del refrigerador.

Nota: No utilice limpiadores que contengan amoníaco o alcohol en el aparato. El amoníaco o el alcohol pueden dañar la apariencia del aparato. Nunca use limpiadores comerciales o abrasivos ni objetos afilados en ninguna parte del aparato.

FALLO DE ALIMENTACIÓN

La mayoría de las fallas de energía se corrigen en unas pocas horas y no deberían afectar la temperatura de su electrodoméstico si minimiza la cantidad de veces que se abre la puerta. Si va a estar sin energía durante un período de tiempo más prolongado, tome las medidas adecuadas para proteger su contenido.

Nota: Espere de 3 a 5 minutos antes de intentar reiniciar el refrigerador si se ha interrumpido la operación.

VACACIONES

- Vacaciones cortas: Deje el aparato funcionando durante las vacaciones de menos de tres semanas.
- Vacaciones largas: Si el aparato no se utilizará durante varios meses, retire todos los elementos y apague el aparato. Limpie y seque bien el interior. Para evitar el crecimiento de olores y moho, deje la puerta ligeramente abierta, bloqueándola si es necesario.

MUDARSE

- Retire todos los artículos.
- Asegure con cinta todos los estantes dentro del electrodoméstico.
- Gire el pie ajustable hasta la base para evitar daños.
- Cierra la puerta con cinta adhesiva.
- Asegúrese de que el aparato permanezca en posición vertical durante el transporte. Proteja el exterior del aparato con una manta.
- Si el aparato se coloca sobre su parte posterior o lateral durante el transporte, al llegar a su destino, déjelo en posición vertical durante 6 horas antes de enchufarlo para permitir que se asiente el refrigerante.

ELIMINACIÓN DE DESECHOS

Este electrodoméstico no puede tratarse como residuo doméstico normal, debe llevarse al punto de recogida de residuos adecuado para el reciclaje de los componentes eléctricos. Para obtener información sobre los puntos locales de recolección de desechos, comuníquese con su agencia local de recolección de desechos u oficina gubernamental.

PREGUNTAS FRECUENTES

¿Cuáles son los vatios y amperios estándar utilizados?

Esta información se puede encontrar en la placa de características ubicada en la parte posterior del gabinete.

¿Cuánto cuesta hacer funcionar el congelador?

Consulte la guía de energía que se encuentra con el refrigerador o en línea en www.Danby.com.

¿Puedo usar un cable de extensión?

No, no se puede usar un cable de extensión.

Tengo problemas para abrir la puerta; ¿Por qué?

La puerta del refrigerador o congelador puede ser difícil de abrir inmediatamente después de cerrarlos. Esto es normal y se debe a la diferencia de presión entre el aire frío del interior y el aire caliente que acaba de ingresar al gabinete. La presión se igualará en unos pocos minutos.

Tenía mi nevera de costado para llevarla a casa. ¿Tengo que dejarlo reposar? ¿Y por cuánto tiempo?

Sí, déjelo en posición vertical durante 6 horas antes de enchufarlo.

El refrigerador huele a plástico nuevo. ¿Cómo hago para que desaparezca?

Es común que los electrodomésticos nuevos tengan un ligero olor a plástico. Asegúrese de haber retirado todo el material de embalaje. Limpie el interior del gabinete siguiendo las instrucciones de limpieza. Una vez completado, coloque una caja abierta de bicarbonato de sodio en el refrigerador para absorber cualquier olor restante.

SOLUCIÓN SUGERIDA

Ningún poder

- Es posible que se haya quemado un fusible o que se haya disparado el disyuntor
- El enchufe no está completamente insertado en el tomacorriente de la pared

La temperatura interna no es lo suficientemente fría

- El ajuste de temperatura es demasiado cálido
- La puerta no está bien cerrada o demasiado abierta
- Recientemente se agregó una gran cantidad de alimentos calientes al gabinete
- Proximidad a fuentes de calor o luz solar directa
- La temperatura ambiente o la humedad es muy alta

El refrigerador funciona continuamente

- El ajuste de temperatura es demasiado frío
- La puerta no está bien cerrada o demasiado abierta
- Recientemente se agregó una gran cantidad de alimentos calientes al gabinete
- Proximidad a fuentes de calor o luz solar directa
- La temperatura ambiente o la humedad es muy alta

El refrigerador hace un ruido de gorgoteo cuando funciona

- Este ruido es completamente normal. El refrigerante dentro del aparato hará un gorgoteo a medida que cambia de líquido a gas y viceversa.

GARANTÍA LIMITADA "A DOMICILIO"

Este producto de calidad está garantizado contra defectos de fabricación, incluyendo partes y mano de obra, siempre y cuando la unidad se utilice bajo las condiciones normales de funcionamiento para las que fue diseñado. Esta garantía está solamente disponible para la persona que haya comprado originalmente esta unidad directamente de Danby Products Limited (Canada) o Danby Products Inc. (U.S.A.) (en adelante "Danby") o uno de sus distribuidores autorizados, y no es transferible.

CONDICIONES DE LA GARANTÍA

Las piezas plásticas, se autorizan por treinta (30) días solamente a partir de la fecha de la compra, sin las extensiones proporcionadas.

Primeros 24 meses Durante los primeros **veinticuatro (24) meses**, cualquier parte en buen estado de este producto que resulte defectuosa, incluyendo cualquier sistema sellado, será reparado o reemplazado, a opción del fabricante, sin cargo para el comprador original.

Para obtener servicio Comuníquese con el distribuidor donde haya comprado la unidad, o llame al Taller de Servicio Autorizado más cercano, donde debe ser reparada por un técnico calificado. Si esta unidad es reparada en otro lugar que no sea un Taller de Servicio Autorizado, o si la unidad se utiliza para aplicaciones comerciales, Danby no se hará responsable de ninguna forma y la garantía será anulada.

Límites del servicio técnico a domicilio Danby se reserva el derecho de limitar la cobertura de "Servicio en Domicilio" sujeto a la proximidad de un **Taller de Servicio Autorizado**. Para todo artefacto que requiera servicio fuera del área limitada de "Servicio en Domicilio", el cliente será responsable por transportar dicho artefacto hasta el Taller de Servicio Autorizado más cercano. Si el electrodoméstico está instalado en un lugar que se encuentra a **100 kilómetros (62 millas)** o más del centro de servicios más cercano, se debe llevar la unidad al Centro de servicios Danby autorizado más cercano, ya que dicho servicio sólo puede realizarlo un técnico calificado y certificado por Danby para prestar servicios de garantía.

Los cargos por transporte desde y hacia el lugar en que se efectúe el servicio técnico no están cubiertos por esta garantía y son de responsabilidad del comprador.

Nada dentro de esta garantía implica que Danby será responsable por cualquier daño que hayan sufrido los alimentos u otros contenidos de este aparato, ya sea debido a un defecto del aparato, o su uso, adecuado o inadecuado.

EXCLUSIONES

Salvo lo aquí indicado por Danby, no existen otras garantías, condiciones o representaciones, explícitas o implícitas, concretas o intencionales por parte de Danby o sus distribuidores autorizados y todas las demás garantías, condiciones o representaciones, incluyendo cualquier garantía, condiciones o representaciones bajo cualquier Acta de Venta de Productos o legislación o estatuto similar, quedan de esta forma expresamente excluidas. **Salvo lo aquí indicado, Danby no serán responsables por ningún daño a personas o bienes, incluyendo la propia unidad, sin importar su causa, o de ningún daño indirecto causado por el desperfecto de la unidad, y al comprar esta unidad, el comprador acepta por la presente, indemnizar y proteger a Danby contra cualquier reclamo por daños a personas o bienes causados por la unidad.**

CONDICIONES GENERALES

No se considerará ninguna de estas garantías o seguros cuando el daño o la necesidad de reparación sea el producto de los siguientes casos:

- 1) Falla del suministro eléctrico.
- 2) Daños en tránsito o durante el transporte de la unidad.
- 3) Alimentación incorrecta, como bajo voltaje, instalación eléctrica defectuosa o fusibles inadecuados.
- 4) Accidente, modificación, abuso o uso incorrecto del artefacto, tal como insuficiente ventilación del ambiente o condiciones de operación anormales (temperatura ambiente extremadamente alta o baja).
- 5) Utilización comercial o industrial (v.g., si el electrodoméstico no está instalado en una vivienda particular).
- 6) Incendio, daños por agua, robo, guerra, disturbios, hostilidades, actos de fuerza mayor como huracanes, inundaciones, etc.
- 7) Pedidos de servicio debido a desinformación del usuario.
- 8) Instalación inadecuada (v.g., instalación empotrada de un electrodoméstico diseñado como unidad independiente o uso de un electrodoméstico al aire libre que no esté aprobado para dicho fin, incluyendo pero no limitado a: garajes, patios, porches o en cualquier lugar que no esté bien aislado o controlado por el clima).

Se requerirá una prueba de la fecha de compra para reclamaciones de garantía; Retener las facturas de venta. En el caso de que se requiera servicio de garantía, presente el comprobante de compra a nuestro depósito de servicio autorizado.

Servicio de Garantía
Servicio en Domicilio

Danby Products Limited
PO Box 1778, Guelph, Ontario, Canada N1H 6Z9
Telephone: (519) 837-0920 FAX: (519) 837-0449

1-800-263-2629
04/17

Danby Products Inc.
PO Box 669, Findlay, Ohio, U.S.A. 45840
Telephone: (419) 425-8627 FAX: (419) 425-8629



Danby Products Limited, Guelph, ON, Canada N1H 6Z9
Danby Products Inc., Findlay, Ohio, USA 45840

