



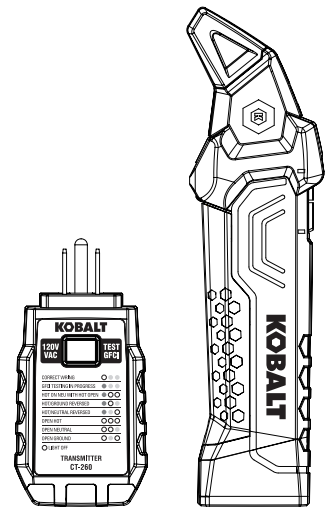
ITEM #5995675
MODEL #CT-260

CIRCUIT BREAKER FINDER WITH NCV TEST

Español p.15

KOBALT and logo design are trademarks or registered trademarks of LF, LLC. All rights reserved.

ATTACH YOUR RECEIPT HERE



Serial Number _____

Purchase Date _____

Thank you for purchasing this KOBALT product.
Questions problems or missing parts?
Before returning, contact us on:
888-356-2258, 8 a.m. - 8 p.m., EST, Monday - Sunday.
or ascsc@lowes.com.

SG24725



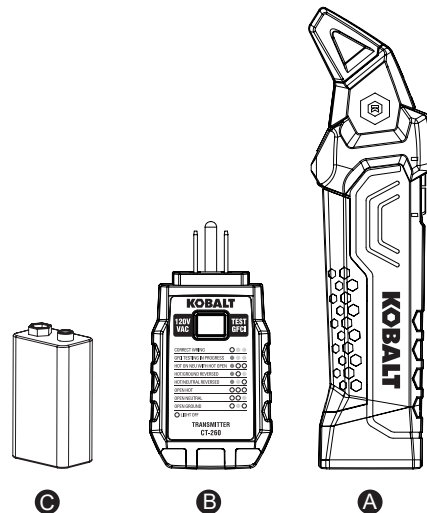
TABLE OF CONTENTS

Product Specifications	2
Package Contents	3
Safety Information	6
Operating Instructions	9
Care and Maintenance	13
Troubleshooting	14
Warranty	14

PRODUCT SPECIFICATIONS

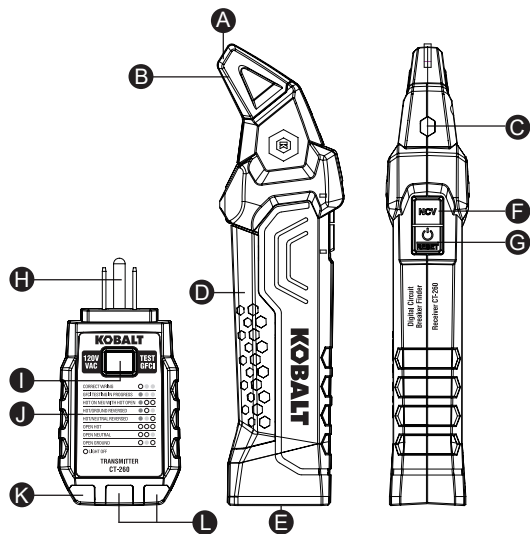
GENERAL SPECIFICATIONS	
Operating Voltage	Receiver: 90 V to 132 V AC, 50/60 Hz NCV: >80 V AC, 50/60 Hz Transmitter: 120 V AC, 50/60 Hz, 3 W Max.
Battery (Receiver)	1 x 9 V Alkaline (Included)
Auto-Power Off (Receiver)	Following 2.5 minutes of inactivity
Operation Environment	32°F to 122°F (0°C to 50°C) at <70% relative humidity
Storage Environment	-4°F to 122 °F (-20°C to 50°C) at <80% relative humidity
Operating Altitude	7000 ft (2000 m) maximum
Drop Protection	6.6 ft (2 m)
Ingress Protection	IP40 dust resistant
Net Weight	Approx. 0.49 lbs. (223 g)
Dimensions	Transmitter: 4.05 x 2.01 x 1.32 in. (103x51x33.5 mm) Receiver: 7.51 x 2.08 x 1.37 in. (191x53x35 mm)
Safety	Conforms to: UL STD. 61010-1, 61010-2-030, 1436 Certified to CSA STD. C22.2 No. 61010-1, 61010-2-03 0, 160.

PACKAGE CONTENTS



PART	DESCRIPTION	QUANTITY
A	Circuit breaker finder receiver	1
B	Transmitter / receptacle tester	1
C	9-volt battery	1

PACKAGE CONTENTS



PART	DESCRIPTION
A	NCV (RED) & Signal (GREEN) LED indicators
B	Sensor tip
C	Circuit status indicator (RED) and low battery indicator
D	Battery cover
E	Transmitter docking receptacle
F	NCV button
G	Power On/Off/Reset button
H	Test plug
I	GFCI test button
J	Wiring condition codes
K	Red LED indicator light
L	Yellow LED indicator lights

Symbols

INDICATOR	FAULT	REASON FOR WIRING FAULT
○ ● ●	Correct	Receptacle is wired correctly.
● ○ ○	Hot on neutral with hot open	Hot is on neutral, and hot contact is not connected.
● ○ ●	Hot/Ground reverse	Hot and ground connections are reversed.
● ● ○	Hot/Neutral reverse	Hot and neutral connections are reversed.
○ ○ ○	Open hot	Hot contact is not connected.
○ ○ ●	Open neutral	Neutral contact is not connected.
○ ● ○	Open ground	Ground contact is not connected.
● ● ●	GFCI testing in progress	

● RED ● YELLOW ○ LIGHT OFF

Safety Category Ratings

CATEGORY RATING	MAXIMUM INPUT	TYPICAL APPLICATION
CAT II	Single phase receptacles and connected loads.	<ul style="list-style-type: none"> - Household appliances, power tools. - Outlets more than 30ft (10m) from a CAT III source. - Outlets more than 60ft (20m) from a CAT IV source.
CAT III	Three phase circuits and single phase lighting circuits in commercial buildings.	<ul style="list-style-type: none"> - Equipment in fixed installations such as 3-phase motors, switchgear and distribution panels. - Lighting circuits in commercial buildings. - Feeder lines in industrial plants. - Any device or branch circuit that is close to a CAT III source.

The measurement category (CAT) rating and voltage rating is determined by a combination of the meter, test probes and any accessories connected to the meter and test probes. The combination rating is the LOWEST of any individual component.

SAFETY INFORMATION

WARNINGS

- To ensure safe operation and service of the meter, follow these instructions. Failure to observe these warnings can result in severe injury or death.
- Before each use, verify tester operation by testing on a known live and correctly wired receptacle and circuit.
- Do not use if the tester appears damaged in any way.
- The tester is intended for indoor use only.
- The tester is designed for use with 120V AC electrical systems, do not connect to higher voltage electrical supplies.
- Other equipment or devices attached to the circuit being tested could interfere with the tester, clear the circuit before testing.
- This tester only detects common wiring problems, always consult a qualified electrician to resolve wiring problems.
- If using accessories to connect to bare wires ensure that the circuit is not energized before inspecting, applying, or removing the transmitter.
- Exercise extreme caution around energized, bare wires, especially when working in or around an open breaker panel.
- Do not use in cardiac care areas.
- All appliances or equipment on the circuit being tested should be unplugged to help avoid erroneous readings.
- Not a comprehensive diagnostic instrument but a simple instrument to detect nearly all probable common improper wiring conditions.
- Refer all indicated problems to a qualified electrician.
- Will not indicate quality of ground.
- Will not detect a combination of default.
- Will not detect 2 hot wires in circuit.
- Will not indicate reversal of grounded and grounding conductors.
- Consult the GFCI manufacturer's installation instructions to determine that the GFCI is installed in accordance with the manufacturer's specifications.
- Check for correct wiring of receptacle and all remotely connected receptacles on the branch circuit.

- Operate the test button on the GFCI installed in the circuit, the GFCI must trip, if it does not - do not use the circuit - consult an electrician; If the GFCI does trip, reset the GFCI, then insert the GFCI tester into the receptacle to be tested.
- Activate the test button on the GFCI tester for a minimum of 6s when testing the GFCI condition, an audible or visible indication on the GFCI tester must cease when tripped.
- If the tester fails to trip the GFCI, it suggests:
 1. A wiring problem with a totally operable GFCI.
 2. Proper wiring with a faulty GFCI.
 3. Consult with an electrician to check the condition of the wiring and GFCI.
- **CAUTION:** When testing GFCI installed in 2-wire systems (no ground wire available), the tester may give a false indication that the GFCI is not functioning properly, if this occurs, recheck the operation of the GFCI using the test and reset buttons, the GFCI button test function will demonstrate proper operation.

PRODUCT COMPLIANCE



Users of this product are cautioned not to make modifications or changes. Doing so may void the compliance of this product with applicable laws and regulatory requirements and may result in the loss of the user's authority to operate the equipment.

"This device complies with part 15 of the FCC Rules. Operation is subject to the following two conditions: (1) This device may not cause harmful interference, and (2) this device must accept any interference received, including interference that may cause undesired operation."

Lowe's Home Centers LLC
1000 Lowe's Blvd.
Mooresville, NC 28117
1-888-3KOBALT (1-888-356-2258)

This equipment has been tested and found to comply with the limits for a Class B digital device, pursuant to part 15 of the FCC Rules. These limits are designed to provide reasonable protection against harmful interference in a residential installation. This equipment generates, uses and can radiate radio frequency energy and, if not installed and used in accordance with the instructions, may cause harmful interference to radio communications. However, there is no guarantee that interference will not occur in a particular installation. If this equipment does cause harmful interference to radio or television reception, which can be determined by turning the equipment off and on, the user is encouraged to try to correct the interference by one or more of the following measures:

- Reorient or relocate the receiving antenna.
- Increase the separation between the equipment and receiver.
- Connect the equipment into an outlet on a circuit different from that to which the receiver is connected.
- Consult the dealer or an experienced radio/TV technician for help.

"CAUTION: Changes or modifications not expressly approved by the party responsible for compliance could void the user's authority to operate the equipment."

OPERATING INSTRUCTIONS

Non-Contact AC Voltage Measurement

WARNING: Risk of Electrocutation. Before use, always test the Voltage Detector on a known live circuit to verify proper operation.

- Press and Hold the NCV Button to test voltage.
- Touch the Sensor tip to the hot conductor or insert into the hot side of the electrical outlet.
- If AC voltage is present, the detector light will illuminate.
- NCV test must hold down the NCV Button all the time.

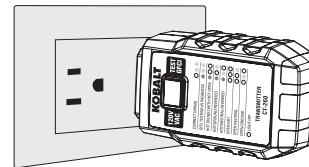
Note: The conductors in electrical cord sets are often twisted, for best results, rub the probe tip along a length of the cord to assure placing the tip in close proximity to the live conductor.

Note: The detector is designed with high sensitivity, static electricity or other sources of energy may randomly trip the sensor, this is normal operation.

Note: NCV TEST and scan the breakers in the circuit breaker panel TEST cannot coexist.

Receptacle Wiring Test

- Plug the Transmitter/Receptacle tester into the outlet.
- The three LED's will indicate circuit condition, the diagram lists all of the conditions that the tester can detect. The LED's in this diagram represent the view from the GFCI button side of the transmitter, when viewing the other side of the transmitter the LED's will be a mirror image of those shown here.
- The tester will not indicate the quality of the ground connection, 2 hot wires in a circuit, a combination of defects, or reversal of ground and neutral conductors.



CORRECT WRING	○ ● ●
GFCI TESTING IN PROGRESS	● ● ●
HOT ON NEU WITH HOT OPEN	● ● ○
HOT/GROUND REVERSED	● ● ●
HOT/NEUTRAL REVERSED	● ● ○
OPEN HOT	○ ○ ○
OPEN NEUTRAL	○ ○ ●
OPEN GROUND	○ ● ○

● RED ● YELLOW ○ LIGHT OFF

OPERATING INSTRUCTIONS

Receptacle GFCI Test

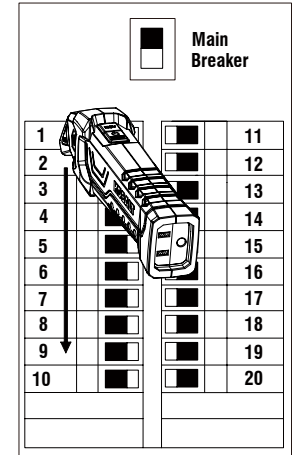
- Before using the tester, press the TEST Button on the installed GFCI receptacle, the GFCI should trip. If it does not trip, do not use the circuit and call a qualified electrician. If it does trip, press the RESET Button on the receptacle.
- Plug the Transmitter/Receptacle tester into the outlet, verify that the wiring is correct as described above.
- Press and hold the test button on the tester for at least 8 seconds, the indicator lights on the tester will shut off when the GFCI trips.
- If the circuit does not trip, either the GFCI is operable but the wiring is incorrect, or the wiring is correct and the GFCI is inoperable.

Finding Circuit Breakers

- Press the Power button to power on the receiver, press and hold the Power button to power off the receiver. A green indicator illuminated in the Sensing Tip and pulsing audible beep indicates that the unit is powered ON. The receiver will automatically power off following 3 minutes of inactivity. The transmitter is powered by the circuit when inserted into an energized electrical outlet.
- Insert the transmitter into the electrical outlet and note the wiring condition.
- If the transmitter indicates that the outlet is energized and correctly wired, prepare to scan the breakers in the breaker panel with the receiver.
Note: If the tester does not indicate that the outlet is energized and correctly wired, cease testing and consult a qualified electrician.
- Power ON the receiver, before approaching the electrical panel push the ON/OFF/RESET Button once to reset the receiver.
- Position the receiver so that the sensing tip is oriented perpendicular to the breakers in the panel, slowly scan all breakers in the panel once, ignoring any audible or visual indications as the receiver is learning the panel.
- Scan all breakers a second time, when the breaker connected to the circuit with the transmitter is approached, the frequency of the audible beeps will increase.

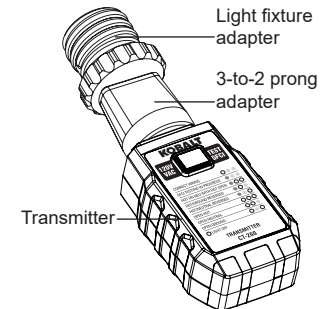
OPERATING INSTRUCTIONS

- When located, the audible beep will sound continuously, the circuit status indicator will illuminate red and the green indicator in the sensing tip will turn off, indicating that the correct breaker has been found.
Note: Resetting the receiver erases prior scanning data stored from a previously “learned” panel, always reset the receiver away from the electrical panel to ensure that electrical signals are not being sensed during the reset operation.



Connecting to other fixtures using optional accessories

- Screw the light fixture adapter into an empty light socket.
- Connect the transmitter to the 3-to-2 prong adapter, and connect this to the light 1 fixture adapter.
- The indicators on the transmitter will communicate an open ground wiring condition if the light socket is energized, follow the instructions in the finding circuit breakers section to find the correct circuit breaker.

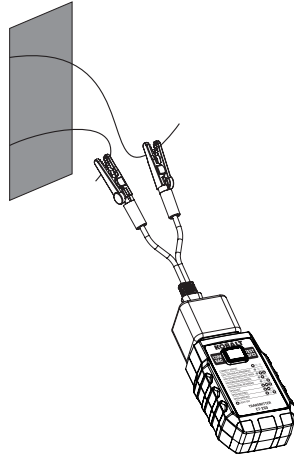


OPERATING INSTRUCTIONS

Bare Wires

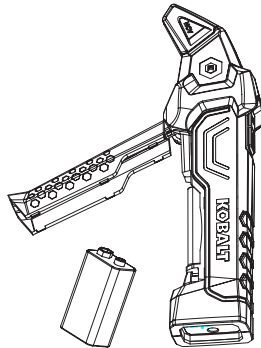
- The transmitter may be connected to bare wires using the outlet-to-alligator clips wire adapter.
- Carefully attach the alligator clips the correct wires, insert transmitter into the outlet on the wire adapter.
- The indicators on the transmitter will communicate an open ground wiring condition if the wires are energized, follow the instructions in the finding circuit breakers section to find the correct circuit breaker.

Note: Exercise extreme caution when working on or near energized bare wires.



Battery Installation

- The circuit breaker finder receiver is powered by a 9 V battery.
- To install a battery remove the screw (do not lose it) and cover on the rear of the receiver enabling access to the battery compartment.
- Fit the 9 V Battery observing correct polarity.
- Replace cover and screw.
- The transmitter is powered by outlet and does not require a battery.
- When battery power is low the red led will light, the battery will have around 20% of its capacity left at this stage and will shortly require replacement.



CARE AND MAINTENANCE

- Keep the meter dry. If it gets wet, wipe it off.
- Keep the meter clean. Wipe the dirt with a soft cloth dampened with water. Do not use chemicals, cleaning solvents, or detergents.
- Use and store the meter in normal temperatures. Temperature extremes can shorten the life of the electronic parts and distort or melt plastic parts.
- Handle the meter gently and carefully. Dropping it can damage the electronic parts or the case.
- Use only fresh batteries of the recommended size and type. Batteries are to be inserted with the correct polarity. Remove old or weak batteries so they do not leak and damage the unit.
- Do not mix old and new batteries. Do not mix different types of batteries such as alkaline, carbon-zinc, or rechargeable batteries. Non-rechargeable batteries are not to be recharged.
- If the meter is to be stored for a long period of time, the batteries should be removed to prevent damage to the unit.

TROUBLESHOOTING

PROBLEM	POSSIBLE CAUSE	CORRECTIVE ACTION
Receiver: Abnormal Power-on Indicator Light	Low battery level.	Replace the battery with a new one.
Receiver: unable to detect signal	Transmitter operating voltage or socket wiring issue.	Have a qualified electrician inspect and rectify any abnormalities.
Transmitter Tripping Failure	Incompatible GFCI socket function or rated trip current mismatch.	Use a compatible socket with the appropriate trip current rating.
Transmitter immediate tripping after inserting into matched GFCI socket	Transmitter button stuck in the triggered state.	Inspect for any obstructions preventing the button from resetting. If unable to resolve the unit manually, return the unit for factory servicing.

WARRANTY

Three-year warranty. Incidental or consequential damages are excluded from this warranty.



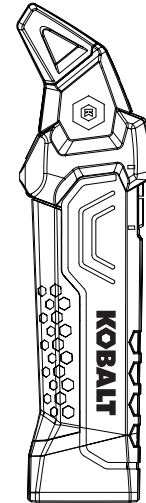
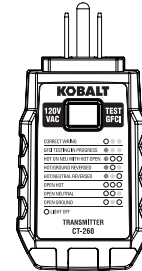
KOBALT y el diseño del logotipo son marcas comerciales o marcas registradas de LF, LLC. Todos los derechos reservados.

ARTÍCULO #5995675

MODELO #CT-260

LOCALIZADOR DE DISYUNTORES CON PRUEBA NCV

ADJUNTE AQUÍ SU RECIBO



Número de serie _____

Fecha de compra _____

Gracias por adquirir este producto KOBALT.
 ¿Tiene problemas o le faltan piezas? Antes de devolverlo, póngase en contacto con nosotros en el **888-356-2258**, de 8 de la mañana a 8 de la tarde, hora del este, de lunes a domingo, o ascs@lowes.com.

SG24725

Printed in China



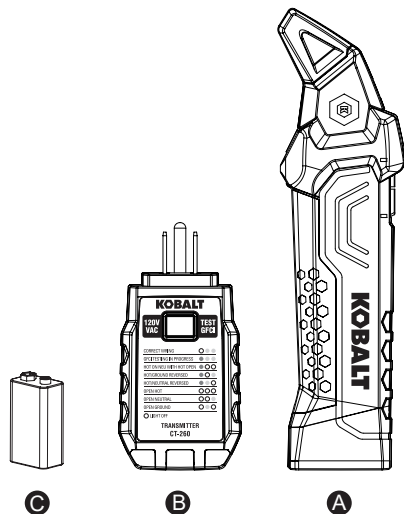
ÍNDICE

Especificaciones del producto.....	17
Contenidos del paquete.....	18
Información de seguridad.....	22
Instrucciones de funcionamiento.....	25
Cuidado y mantenimiento.....	30
Resolución de problemas.....	31
Garantía.....	31

ESPECIFICACIONES DEL PRODUCTO

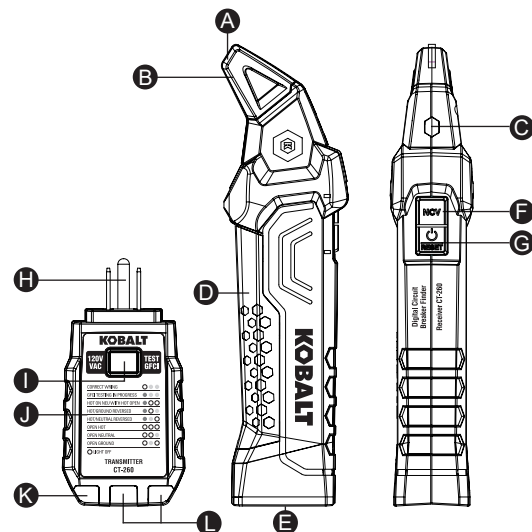
ESPECIFICACIONES GENERALES	
Tensión de funcionamiento	Receptor: 90 V a 132 V de CA, 50/60 Hz NCV: >80 V CA, 50/60 Hz Transmisor: 120 V CA, 50/60 Hz, 3 W máx.
Batería (receptor)	1 x 9 V alcalina (incluida)
Apagado automático (receptor)	Tras 2,5 minutos de inactividad
Entorno de funcionamiento	32 °F a 122 °F (0 °C a 50 °C) a <70 % de humedad relativa
Entorno de almacenamiento	-4 °F a 122 °F (-20 °C a 50 °C) a <80 % de humedad relativa
Altitud de funcionamiento	7000 pies (2000 m) máximo
Protección contra caídas	6,6 pies (2 m)
Protección contra la penetración	IP40 resistente al polvo
Peso neto	Aprox. 0,49 libras (223 g)
Dimensiones	Transmisor 4,05 x 2,01 x 1,32 pulg. (103x51x33,5 mm) Receptor: 7,51 x 2,08 x 1,37 pulg. (191x53x35 mm)
Seguridad	Conforme a la norma ULSTD.61010-1. 61010-2-030. Con certificado según CSA STD. C22.2 Nº 61010-1, 61010-2-03 0, 160.

CONTENIDOS DEL PAQUETE



PIEZA	DESCRIPCIÓN	CANTIDAD
A	Receptor del buscador de interruptores de circuito	1
B	Probador de transmisores y receptáculos	1
C	Batería de 9 voltios	1

CONTENIDOS DEL PAQUETE



PIEZA	DESCRIPCIÓN
A	Indicadores LED NCV (ROJO) y Señal (VERDE)
B	Punta del sensor
C	Indicador de estado del circuito (ROJO) e indicador de batería baja
D	Tapa de la pila
E	Receptáculo de acoplamiento del transmisor
F	Botón NCV
G	Botón de encendido/apagado/reinicio
H	Clavija de prueba
I	Botón de prueba GFCI
J	Códigos de estado del cableado
K	Luz indicadora LED roja
L	Indicador luminoso LED amarillo

Símbolos

INDICADOR	FALLO	MOTIVO DEL FALLO DE CABLEADO
○●●	Correcto	El receptáculo está cableado correctamente.
●○○	Caliente sobre neutro con caliente abierto	El contacto caliente está en el neutro y el contacto caliente no está conectado.
●○●	Inversión caliente/tierra	Las conexiones caliente y de tierra están invertidas.
●●○	Inversión caliente/neutro	Las conexiones caliente y neutro están invertidas.
○○○	Abierto caliente	El contacto caliente no está conectado.
○○●	Neutro abierto	El contacto neutro no está conectado.
○●○	Tierra abierto	El contacto de tierra no está conectado.
●●●	Pruebas GFCI en curso	

● ROJO ● AMARILLO ○ LUZ APAGADA

Clasificaciones de las categorías de seguridad

CLASIFICACIÓN POR CATEGORÍAS	ENTRADA MÁXIMA	APLICACIÓN TÍPICA
CAT II	Receptáculos monofásicos y cargas conectadas.	-Electrodomésticos, herramientas eléctricas. -Enchufes a más de 10 m (30 pies) de una fuente CAT III. -Enchufes a más de 20 m (60 pies) de una fuente CAT IV.
CAT III	Circuitos trifásicos y circuitos de iluminación monofásicos en edificios comerciales.	-Equipos en instalaciones fijas como motores trifásicos, aparatación y cuadros de distribución. -Circuitos de iluminación en edificios comerciales. -Líneas de alimentación en plantas industriales. -Cualquier dispositivo o circuito derivado que esté cerca de una fuente CAT III.

La clasificación de la categoría de medición (CAT) y la clasificación de la tensión vienen determinadas por la combinación del medidor, las puntas de prueba y cualquier accesorio conectado al medidor y a las puntas de prueba. La clasificación de la combinación es la MÁS BAJA de cualquier componente individual.

INFORMACIÓN DE SEGURIDAD

ADVERTENCIAS

- Para garantizar un funcionamiento y servicio seguros del medidor, siga estas instrucciones. El incumplimiento de estas advertencias puede provocar lesiones graves o la muerte.
- Antes de cada uso, verifique el funcionamiento del comprobador realizando una prueba en un receptáculo y un circuito conocidos con tensión y correctamente cableados.
- No lo utilice si el comprobador parece estar dañado de algún modo.
- El comprobador está diseñado solo para uso en interiores.
- El comprobador está diseñado para utilizarse con sistemas eléctricos de 120 V de CA, no lo conecte a suministros eléctricos de mayor tensión.
- Otros equipos o dispositivos conectados al circuito que se está comprobando podrían interferir con el comprobador, despeje el circuito antes de realizar la prueba.
- Este comprobador solo detecta problemas comunes de cableado, consulte siempre a un electricista calificado para resolver los problemas de cableado.
- Si utiliza accesorios para conectar a cables desnudos, asegúrese de que el circuito no esté energizado antes de inspeccionar, aplicar o retirar el transmisor.
- Extreme las precauciones en torno a cables desnudos y energizados, especialmente cuando trabaje en o cerca de un panel de disyuntores abierto.
- No lo utilice en áreas de cuidados cardíacos.
- Todos los aparatos o equipos en el circuito que se está probando deben estar desenchufados para ayudar a evitar lecturas erróneas.
- No es un instrumento de diagnóstico exhaustivo, pero es un instrumento sencillo para detectar casi todas las condiciones comunes probables de cableado incorrecto.
- Remita todos los problemas indicados a un electricista calificado.
- No indicará la calidad de la toma de tierra.
- No detectará una combinación de defecto.
- No detectará 2 cables calientes en circuit.

- No indicará la inversión de los conductores de puesta a tierra y a tierra.
- Consulte las instrucciones de instalación del fabricante del GFCI para determinar que el GFCI está instalado de acuerdo con las especificaciones del fabricante.
- Compruebe el cableado correcto del receptáculo y de todos los receptáculos conectados a distancia en el circuito derivado.
- Accione el botón de prueba del GFCI instalado en el circuito, el GFCI debe dispararse, si no lo hace, no utilice el circuito; consulte a un electricista; si el GFCI se dispara, reinicie el GFCI, luego inserte el probador GFCI en el receptáculo a probar.
- Active el botón de prueba del comprobador GFCI durante un mínimo de 6 s cuando compruebe el estado del GFCI, una indicación audible o visible en el comprobador GFCI debe cesar cuando se dispara.
- Si el comprobador no dispara el GFCI, esto sugiere:
 1. Un problema de cableado con un GFCI totalmente operable.
 2. Un cableado correcto con un GFCI defectuoso.
 3. Consulte con un electricista para comprobar el estado del cableado y del GFCI.
- **PRECAUCIÓN:** Al probar GFCI instalados en sistemas de 2 hilos (sin cable de tierra disponible), el comprobador puede dar una indicación falsa de que el GFCI no funciona correctamente, si esto ocurre. Vuelva a comprobar el funcionamiento del GFCI utilizando los botones de prueba y reinicio, la función de prueba del botón GFCI demostrará su correcto funcionamiento.

CONFORMIDAD DEL PRODUCTO



Se advierte a los usuarios de este producto que no realicen modificaciones ni cambios. Hacerlo puede anular la conformidad de este producto con las leyes y requisitos reglamentarios aplicables y puede dar lugar a la pérdida de la autoridad del usuario para utilizar el equipo.

"Este aparato cumple con la parte 15 de las normas de la FCC. Su funcionamiento está sujeto a las dos condiciones siguientes: (1) Este dispositivo no puede causar interferencias perjudiciales, y (2) este dispositivo debe aceptar cualquier interferencia recibida, incluidas las interferencias que puedan causar un funcionamiento no deseado".

Lowe's Home Centers LLC 1000 Lowe's Blvd.
 Mooresville, NC 28117
 1-888-3KOBALT (1-888-356-2258)

Este equipo se ha probado y se ha determinado que cumple los límites para un dispositivo digital de Clase B, de acuerdo con la parte 15 de las normas de la FCC. Estos límites están diseñados para proporcionar una protección razonable contra interferencias perjudiciales en una instalación residencial. Este equipo genera, utiliza y puede irradiar energía de radiofrecuencia y, si no se instala y utiliza de acuerdo con las instrucciones, puede causar interferencias perjudiciales en las comunicaciones por radio. Sin embargo, no existe ninguna garantía de que no se produzcan interferencias en una instalación concreta. Si este equipo causa interferencias perjudiciales en la recepción de radio o televisión, lo que puede determinarse apagando y encendiendo el equipo, se recomienda al usuario que intente corregir las interferencias mediante una o varias de las siguientes medidas:

- Cambie la orientación o la ubicación de la antena receptora.
- Aumente la separación entre el equipo y el receptor.
- Conecte el equipo a una toma de corriente de un circuito distinto de aquel al que está conectado el receptor.
- Consulte al distribuidor o a un técnico de radio/TV experimentado para obtener ayuda.

"PRECAUCIÓN: Los cambios o modificaciones no aprobados expresamente por la parte responsable del cumplimiento podrían anular la autoridad del usuario para utilizar el equipo".

INSTRUCCIONES DE FUNCIONAMIENTO

Medición de tensión alterna sin contacto

ADVERTENCIA: Riesgo de electrocución. Antes de utilizarlo, pruebe siempre el detector de tensión en un circuito con tensión conocida para verificar su correcto funcionamiento.

- Mantenga pulsado el botón NCV para comprobar la tensión.
- Toque con la punta del sensor el conductor caliente o introdúzcalo en el lado caliente de la toma de corriente.
- Si hay tensión alterna, se encenderá la luz del detector.
- La prueba NCV debe mantener pulsado el Botón NCV todo el tiempo.

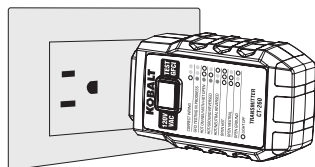
Nota: Los conductores de los juegos de cables eléctricos suelen estar retorcidos, para obtener mejores resultados, frote la punta de la sonda a lo largo de un tramo del cable para asegurarse de colocar la punta muy cerca del conductor bajo tensión.

Nota: El detector está diseñado con una alta sensibilidad, la electricidad estática u otras fuentes de energía pueden disparar aleatoriamente el sensor, este es un funcionamiento normal.

Nota: La PRUEBA NCV y el escaneo de los disyuntores en el panel de disyuntores PRUEBA no pueden coexistir.

Prueba de cableado del receptáculo

- Enchufe el comprobador de transmisor/toma de corriente a la toma de corriente.
- Los tres LED indicarán la condición del circuito, el diagrama enumera todas las condiciones que el comprobador puede detectar. Los LED de este diagrama representan la vista desde el lado del botón GFCI del transmisor, al ver el otro lado del transmisor los LED serán una imagen especular de los que se muestran aquí.
- El comprobador no indicará la calidad de la conexión a tierra, 2 cables calientes en un circuito, una combinación de defectos o la inversión de los conductores de tierra y neutro.



● ROJO ● AMARILLO ○ LUZ APAGADA

CORRECT WRING	○ ● ●
GFCI TESTING IN PROGRESS	● ● ●
HOT ON NEU WITH HOT OPEN	● ○ ○
HOT/GROUND REVERSED	● ○ ●
HOT/NEUTRAL REVERSED	● ● ○
OPEN HOT	○ ○ ○
OPEN NEUTRAL	○ ○ ●
OPEN GROUND	○ ● ○

INSTRUCCIONES DE FUNCIONAMIENTO

Prueba GFCI del receptáculo

- Antes de utilizar el comprobador, pulse el botón TEST del receptáculo GFCI instalado, el GFCI debería dispararse. Si no se dispara, no utilice el circuito y llame a un electricista cualificado.
- Si se dispara, pulse el botón de REINICIO del receptáculo.
- Enchufe el transmisor/probador de receptáculos en el tomacorriente, verifique que el cableado sea correcto como se describió anteriormente.
- Mantenga pulsado el botón de prueba del comprobador durante al menos 8 segundos, los luces indicadoras del comprobador se apagarán cuando se dispare el GFCI.
- Si el circuito no se dispara, o bien el GFCI funciona pero el cableado es incorrecto, o bien el cableado es correcto y el GFCI no funciona.

Encontrar disyuntores

- Pulse el botón de encendido para encender el receptor, mantenga pulsado el botón de encendido para apagarlo. Un indicador verde iluminado en la punta sensora y un pitido audible indican que la unidad está encendida. El receptor se apagará automáticamente tras 3 minutos de inactividad. El transmisor se alimenta del circuito cuando se inserta en una toma eléctrica con corriente.
- Inserte el transmisor en la toma eléctrica y observe el estado del cableado.
- Si el transmisor indica que la toma está energizada y correctamente cableada, prepárese para escanear los interruptores en el panel de interruptores con el receptor.
Nota: Si el comprobador no indica que la toma de corriente está alimentada y correctamente cableada, deje de realizar la prueba y consulte a un electricista calificado.
- Encienda el receptor, antes de acercarse al panel eléctrico pulse el botón de encendido/apagado/reinicio una vez para reiniciar el receptor.
- Coloque el receptor de forma que la punta de detección esté orientada perpendicularmente a los interruptores del panel, escanee lentamente todos los interruptores del panel una vez, ignorando cualquier indicación sonora o visual mientras el receptor aprende el panel.

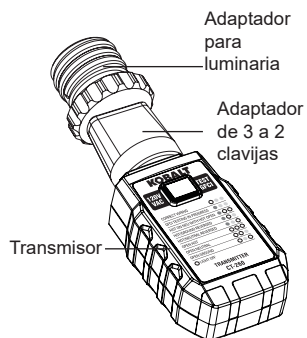
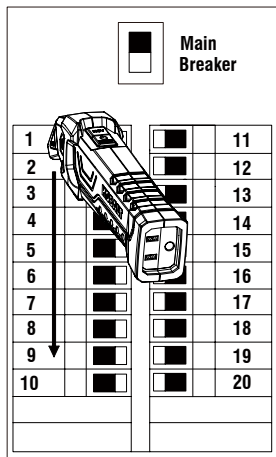
INSTRUCCIONES DE FUNCIONAMIENTO

- Escanee todos los disyuntores una segunda vez, cuando se acerque al disyuntor conectado al circuito con el transmisor, la frecuencia de los pitidos audibles aumentará.
- Cuando se localice, sonará un pitido continuo, el indicador de estado del circuito se iluminará en rojo y el indicador verde de la punta sensora se apagará, indicando que se ha encontrado el disyuntor correcto.

Nota: Al reiniciar el receptor se borran los datos de escaneo anteriores almacenados en un panel previamente "aprendido", reinicie siempre el receptor lejos del panel eléctrico para asegurarse de que no se están detectando señales eléctricas durante la operación de reinicio.

Conexión a otros dispositivos mediante accesorios opcionales

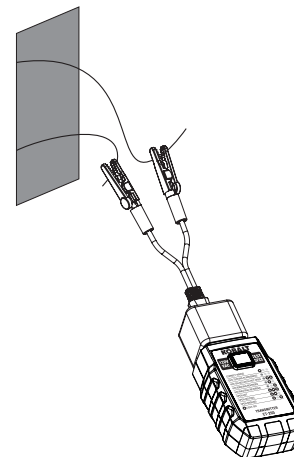
- Enrosque el adaptador de la luminaria en una toma de luz vacía.
- Conecte el transmisor al adaptador de 3 a 2 clavijas, y conecte este al adaptador de la luminaria 1.
- Los indicadores del transmisor comunicarán una condición de cableado a tierra abierto si la toma de luz está energizada, siga las instrucciones de la sección de búsqueda de disyuntores para encontrar el disyuntor correcto.



INSTRUCCIONES DE FUNCIONAMIENTO

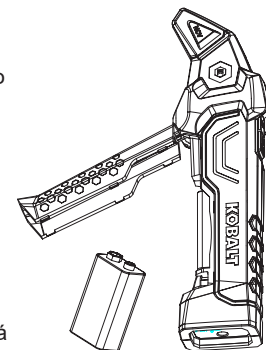
Cables pelados

- El transmisor puede conectarse a cables pelados utilizando el adaptador de cables de la toma a pinzas de cocodrilo.
 - Coloque con cuidado las pinzas de cocodrilo los cables correctos, inserte el transmisor en la salida del adaptador de cable.
 - Los indicadores del transmisor comunicarán una condición de cableado a tierra abierto si los cables están energizados, siga las instrucciones de la sección de búsqueda de disyuntores para encontrar el disyuntor correcto.
- Nota:** Extremar las precauciones cuando trabaje sobre o cerca de cables desnudos energizados.



Instalación de la pila

- El receptor buscador de interruptores está alimentado por una pila de 9 V.
- Para instalar una pila, retire el tornillo de la tapa y la tapa de la parte posterior del receptor que permiten acceder al compartimento de la pila.
- Coloque la pila de 9 V respetando la polaridad correcta.
- Vuelva a colocar la tapa y el tornillo.
- El transmisor se alimenta mediante la toma de corriente y no necesita pila.
- Cuando la carga de la pila sea baja se encenderá el led rojo, a la pila le quedará alrededor del 20 % de su capacidad en este momento y en breve será necesario cambiarla.



CUIDADO Y MANTENIMIENTO

- Mantenga el medidor seco. Si se moja, límpielo con un paño.
- Mantenga limpio el medidor. Limpie la suciedad con un paño suave humedecido con agua. No utilice productos químicos, disolventes de limpieza ni detergentes.
- Utilice y guarde el medidor a temperaturas normales. Las temperaturas extremas pueden acortar la vida útil de las piezas electrónicas y deformar o fundir las piezas de plástico.
- Manipule el medidor con suavidad y cuidado. Dejarlo caer puede dañar las piezas electrónicas o la carcasa.
- Utilice solo pilas nuevas del tamaño y tipo recomendados. Las pilas deben colocarse con la polaridad correcta. Retire las pilas viejas o débiles para que no se derramen y dañen la unidad.
- No mezcle pilas viejas y nuevas. No mezcle diferentes tipos de pilas como las alcalinas, las de carbono-zinc o las recargables. Las pilas no recargables no deben recargarse.
- Si se va a almacenar el medidor durante un largo periodo de tiempo, deben extraerse las pilas para evitar daños en la unidad.

RESOLUCIÓN DE PROBLEMAS

PROBLEMA	POSIBLE CAUSA	ACCIÓN CORRECTIVA
Receptor: luz indicadora de encendido anormal	Nivel de batería bajo.	Sustituya la batería por una nueva.
Receptor: no se puede detectar la señal	Tensión de funcionamiento del transmisor o problema de cableado de la toma.	Haga que un electricista calificado inspeccione y rectifique cualquier anomalía.
Fallo de activación del transmisor	Función de la toma GFCI incompatible o corriente de disparo nominal desajustada.	Utilice un enchufe compatible con la intensidad de corriente de activación adecuada.
Activación inmediata del transmisor tras insertarlo en la toma GFCI correspondiente	Botón del transmisor atascado en el estado disparado.	Inspeccione en busca de cualquier obstrucción que impida el restablecimiento del botón. Si no se puede resolver manualmente, devuelva la unidad para su revisión en fábrica.

GARANTÍA

Tres años de garantía. Quedan excluidos de esta garantía los daños incidentales o consecuentes.