

WALL-MOUNT CHIMNEY RANGE HOOD

MODELS : SHC2432FS / SHC3042FS / SHC3062FS / SHC3662FS



CUSTOMER ASSISTANCE	2	MEASURE THE INSTALLATION.....	8
CONSUMER LIMITED WARRANTY	3	INSTALLATION INSTRUCTIONS.....	9
BEFORE INSTALLING THE RANGE HOOD	4	OPERATIONS	15
RANGE HOOD DIMENSIONS	5	CLEANING & MAINTENANCE.....	16
RANGE HOOD MAIN PARTS.....	6	TROUBLE SHOOTING	17

REGISTER YOUR PRODUCT

Registering your new product is easy and offers benefits that help you get the most out of your Sharp product including:

- ✓ **Convenience:** If you ever need warranty support, your product information is already on file.
- ✓ **Communication:** Stay up to date with important notifications and special offers from SHARP.
- ✓ **Support:** Quickly access support content including Owner's Manuals, FAQ's, How-to Videos, and much more.

3 EASY WAYS TO REGISTER TODAY!

 <p>SCAN Use the camera or QR code scanning application on your mobile device</p>	 <p>ONLINE Visit our sites to learn more about your product at sharpusa.com and sbl.sharpusa.com</p>	 <p>CALL US US 800-BE-SHARP 800-237-4277 Mon-Fri: 7am-7pm CST Sat-Sun: 9am-7pm CST</p>
Scan this QR Code on your mobile device	Visit http://www.sharpusa.com/register	Contact a Sharp Advisor on the phone

PRODUCT SUPPORT

If you have questions about the setup or operation of your product, please refer to the corresponding section within this manual.

Additionally, visit www.sharpusa.com/support to access exclusive content about your product including:

- FAQ's and How-To Videos
- Find or Request Service
- Purchase an Extended Warranty
- Downloads including the Installation Guide, Spec Sheet, and Owner's Manual

CONTACT US

If at any time you have questions or comments concerning your SHARP product, please contact the SHARP Customer Assistance Center. We are available to assist you through multiple contact methods for your convenience:

 <p>EMAIL Available 24/7 US: sharpusa.com</p>	 <p>CHAT ONLINE Mon-Fri: 7am-7pm CST Sat-Sun: 9am-7pm CST</p>	 <p>CALL US US 800-BE-SHARP 800-237-4277 Mon-Fri: 7am-7pm CST Sat-Sun: 9am-7pm CST</p>
See the Contact Us section on our sites	U.S. www.sharpusa.com/support	Contact a Sharp Advisor on the phone



SHARP®

CONSUMER LIMITED WARRANTY

SHARP ELECTRONICS CORPORATION warrants to the first consumer purchaser that this Sharp brand product (the “Product”), when shipped in its original container, will be free from defective workmanship and materials, and agrees that it will, at its option, either repair the defect or replace the defective Product or part thereof with a new or remanufactured equivalent at no charge to the purchaser for parts or labor for the period(s) set forth below.

This warranty does not apply to any cosmetic or appearance items of the Product nor to the additional excluded item(s) set forth below nor to any Product the exterior of which has been damaged or defaced, which has been subjected to misuse, abnormal service or handling, or which has been altered or modified in design or construction. In order to enforce the rights under this limited warranty, the purchaser should follow the steps set forth below and provide proof of purchase to the servicer.

The limited warranty described herein is in addition to whatever implied warranties may be granted to purchasers by law. ALL IMPLIED WARRANTIES INCLUDING THE WARRANTIES OF MERCHANTABILITY AND FITNESS FOR USE ARE LIMITED TO THE PERIOD(S) FROM THE DATE OF PURCHASE SET FORTH BELOW. Some states do not allow limitations on how long an implied warranty lasts, so the above limitation may not apply to you.

Neither the sales personnel of the seller nor any other person is authorized to make any warranties other than those described herein, or to extend the duration of any warranties beyond the time period described above on behalf of Sharp. The warranties described herein shall be the sole and exclusive warranties granted by Sharp and shall be the sole and exclusive remedy available to the purchaser. Correction of defects, in the manner and for the period of time described herein, shall constitute complete fulfillment of all liabilities and responsibilities of Sharp to the purchaser with respect to the Product, and shall constitute full satisfaction of all claims, whether based on contract, negligence, strict liability or otherwise. In no event shall Sharp be liable, or in any way responsible, for any damages or defects in the Product which were caused by repairs or attempted repairs performed by anyone other than an authorized servicer. Nor shall Sharp be liable or in any way responsible for any incident or consequential economic or property damage. Some states do not allow the exclusion of incidental or consequential damages, so the above exclusion may not apply to you.

THIS LIMITED WARRANTY IS VALID ONLY IN THE FIFTY (50) UNITED STATES, THE DISTRICT OF COLUMBIA AND PUERTO RICO.

Product model number & description: SHC2432FS, SHC3042FS, SHC3062FS or SHC3662FS Range Hood

Warranty period for this product: One (1) year parts and labor, including in-home service.

Additional item(s) excluded from warranty coverage: Commercial, non-residential, or use inconsistent with published installation and product operational instructions.
Light bulbs and filters.
In home instruction on how to use your product.

What to do to obtain service: In-home service is provided for one year from date of purchase. Service can be arranged by calling 1-800-BE-SHARP. Be sure to have Proof of Purchase, Model, and Serial Number available.

TO OBTAIN SUPPLY, ACCESSORY OR PRODUCT INFORMATION, CALL 1-800-BE-SHARP or visit www.sharppusa.com.
SAVE THE PROOF OF PURCHASE AS IT IS NEEDED SHOULD YOUR RANGE HOOD EVER REQUIRE WARRANTY SERVICE.



BEFORE INSTALLING THE RANGE HOOD

READ AND SAVE THESE INSTRUCTIONS TO REDUCE THE RISK OF FIRE, ELECTRIC SHOCK, OR INJURY TO PERSON(S) OBSERVE THE FOLLOWING:

- 1 Use this unit only in the manner intended by the manufacturer. If you have questions, contact the manufacturer at the address or telephone number listed in the warranty.
- 2 Before servicing or cleaning unit, switch power off at service panel and lock service disconnecting means to prevent power from being switch on accidentally. When the service disconnecting means cannot be locked, securely fasten a prominent warning device, such as a tag, to the service panel.
- 3 Installation work and electrical wiring must be done by qualified personnel in accordance with all applicable codes and standards, including fire-rated construction codes and standards.
- 4 Sufficient air is needed for proper combustion and exhausting of gases through the flue (chimney) of fuel burning equipment to prevent backdrafting. Follow the heating equipment manufacturer's guidelines and safety standards such as those published by the National Fire Protection Association (NFPA), the American Society for Heating, Refrigeration and Air Conditioning Engineers (ASHRAE) and the local code authorities.
- 5 This product may have sharp edges. Be careful to avoid cuts and abrasions during installation or cleaning.
- 6 When cutting or drilling into wall or ceiling, do not damage electrical wiring and other hidden utilities.
- 7 Ducted fans must always be vented to the outdoors.
- 8 Do not use this unit with any other solid-state speed control device.
- 9 Use only metal ductwork.
- 10 This unit must be grounded.

TO REDUCE THE RISK OF A RANGE TOP GREASE FIRE:

- 1 Never leave surface units unattended at high settings. Boilovers cause smoking and greasy spillovers that may ignite. Heat oils slowly on low or medium settings.
- 2 Always turn hood ON when cooking at high heat or when cooking flaming foods (i.e. Crêpes Suzette, Cherries Jubilee, Peppercorn Beef Flambé).
- 3 Clean ventilating fans frequently. Grease should not be allowed to accumulate on fan or filters.
- 4 Use proper pan size. Always use cookware appropriate for the size of the surface element.

▲WARNING TO REDUCE THE RISK OF INJURY TO PERSON(S) IN THE EVENT OF A RANGE TOP GREASE FIRE, OBSERVE THE FOLLOWING*:

- 1 SMOTHER FLAMES with a close-fitting lid, cookie sheet, or metal tray, then turn off the burner. BE CAREFUL TO PREVENT BURNS. IF THE FLAMES DO NOT GO OUT IMMEDIATELY, EVACUATE AND CALL THE FIRE DEPARTMENT.

- 2 NEVER PICK UP A FLAMING PAN – You may be burned.
 - 3 DO NOT USE WATER, including wet dishcloths or towels – This could cause a violent steam explosion.
 - 4 Use an extinguisher ONLY if:
 - A You know you have a Class ABC extinguisher and you know how to operate it.
 - B The fire is small and contained in the area where it started.
 - C The fire department has been called.
 - D You can fight the fire with your back to an exit.
- * Based on "Kitchen Fire Safety Tips" published by NFPA.

▲CAUTION

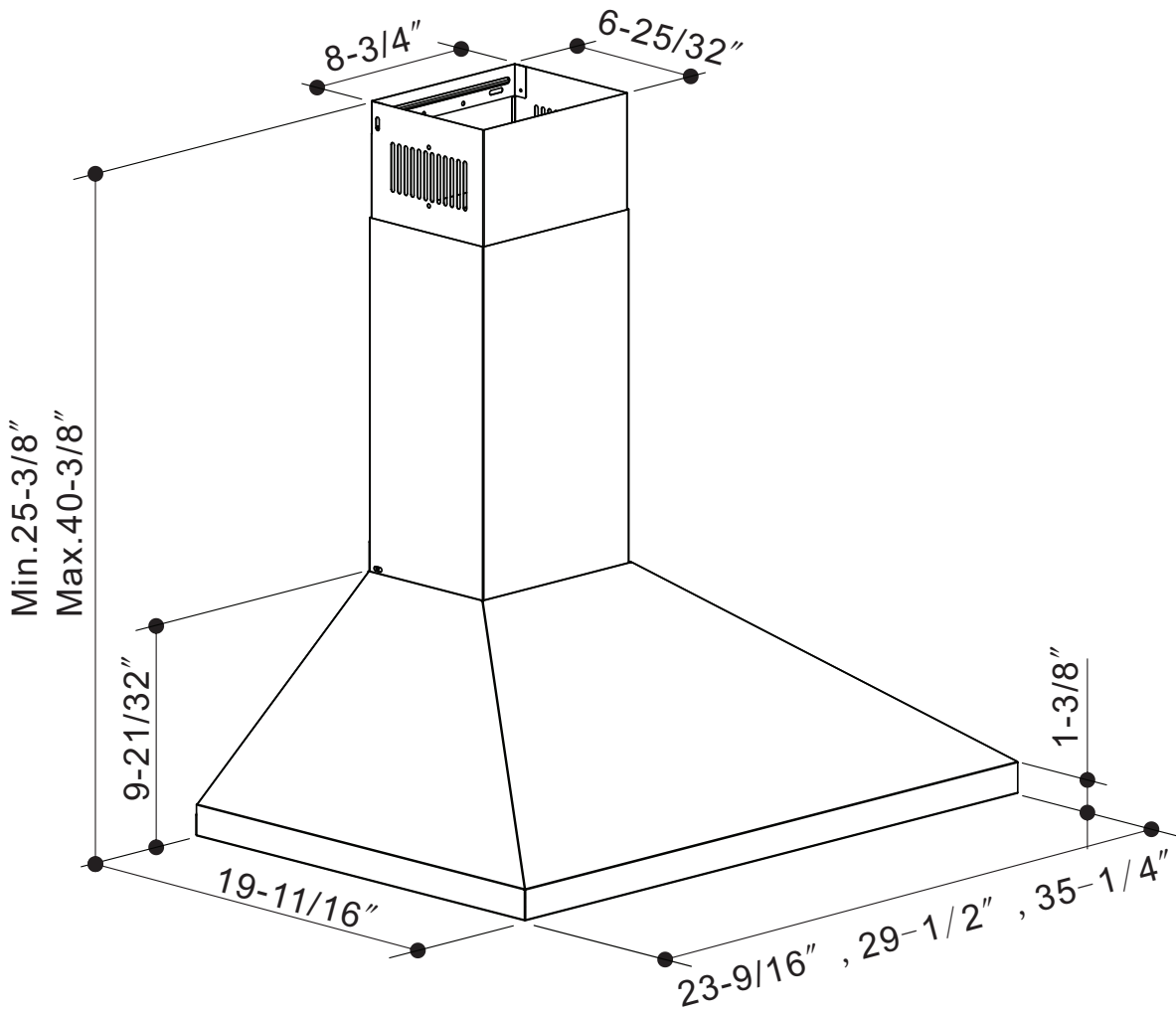
- 1 For indoor use only.
- 2 For general ventilating use only. Do not use to exhaust hazardous or explosive materials and vapors.
- 3 To avoid motor bearing damage and noisy and/or unbalanced impeller, keep drywall spray, construction dust, etc. off power unit.
- 4 Do not use over cooking equipment greater than 60,000 BTU/hr. as the blower motor will shut down intermittently.
- 5 Your hood motor has a thermal overload which will automatically shut off the motor if it becomes overheated. The motor will restart when it cools down. If the motor continues to shut off and restart, have the hood serviced.
- 6 The bottom of the hood MUST NOT BE LESS than 26" and recommend a maximum of 36" above cooktop for best capture of cooking impurities.
- 7 Two installers are recommended because of the size of this hood.
- 8 To reduce risk of fire and to properly exhaust air, be sure to duct air outside. Do not exhaust air into spaces within walls or ceilings or into attics, crawl spaces, or garages.
- 9 Be careful when installing the decorative flue and hood, they may have sharp edges.
- 10 Please read specification label on product for further information and requirements.

INSTALLER: LEAVE THIS GUIDE WITH THE HOMEOWNER.

HOMEOWNER: OPERATION AND MAINTENANCE INFORMATION ARE ON PAGES 16-18.

WARNING: Cancer and Reproductive Harm - www.P65Warnings.ca.gov

RANGE HOOD DIMENSIONS



RANGE HOOD MAIN PARTS

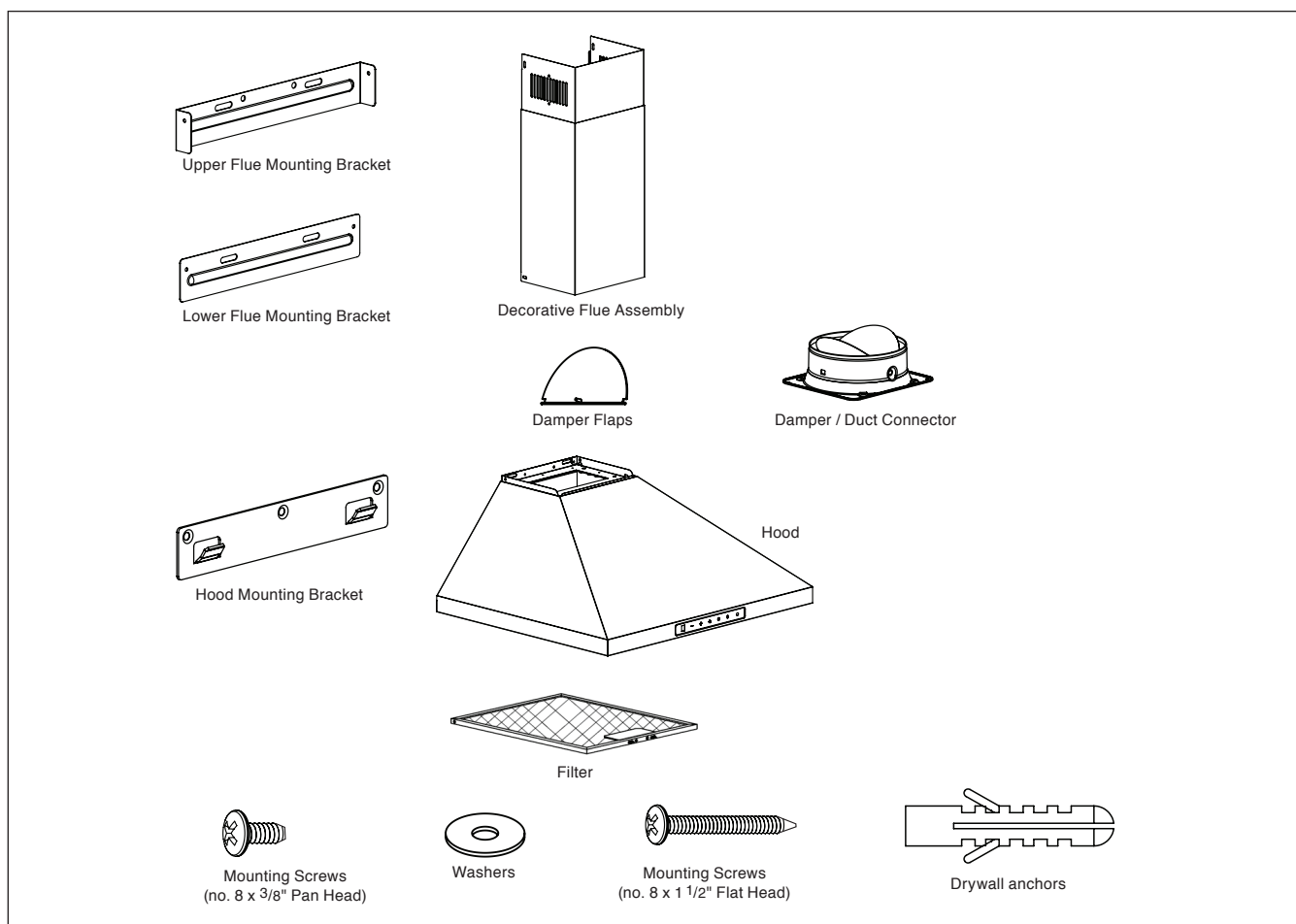
PARTS INCLUDED

Unpack hood and check contents.

You should receive:

FOR MODEL: SHC2432FS	
QTY.	PRODUCT COMPONENTS
1	Hood
1	Decorative Flue Assembly
1	Damper / Duct Connector
1	Lower Flue Mounting Bracket
1	Upper Flue Mounting Bracket
1	Hood Mounting Bracket
2	Aluminum Grease Filters
1	Installation Manual
1	Parts Bag containing:
10	Mounting Screws (no. 8 x 3/8" Pan Head)
7	Mounting Screws (no. 8 x 1 1/2" Flat Head)
7	Drywall Anchors
2	Washers

FOR MODELS: SHC3062FS, SHC3662FS, SHC3042FS	
QTY.	PRODUCT COMPONENTS
1	Hood
1	Decorative Flue Assembly
2	Damper Flaps
1	Lower Flue Mounting Bracket
1	Upper Flue Mounting Bracket
1	Hood Mounting Bracket
2	Aluminum Grease Filters for a 30" hood
3	Aluminum Grease Filters for a 36" hood
1	Installation Manual
1	Parts Bag containing:
6	Mounting Screws (no. 8 x 3/8" Pan Head)
7	Mounting Screws (no. 8 x 1 1/2" Flat Head)
7	Drywall Anchors
2	Washers



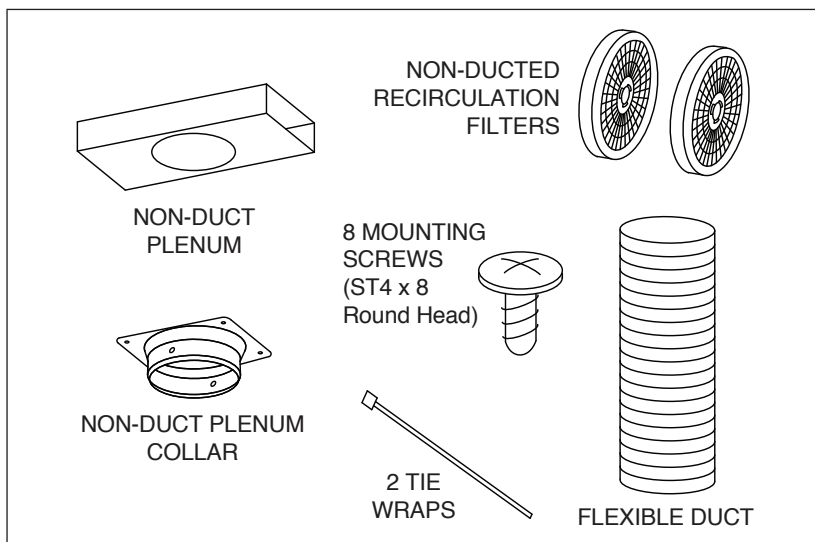
PRODUCT SPECIFICATIONS

ITEM	MODEL			
	SHC2432FS	SHC3042FS	SHC3062FS	SHC3662FS
Power Requirements	120 Volts 2.0 Amps 60Hz	120 Volts 2.7 Amps 60Hz	120 Volts 3.7 Amps 60Hz	120 Volts 3.7 Amps 60Hz
Case Dimensions				
Width	23-9/16"	29-1/2"	29-1/2"	35-1/4"
Height	25-3/8" to 40-3/8"	25-3/8" to 40-3/8"	25-3/8" to 40-3/8"	25-3/8" to 40-3/8"
Depth	19-11/16"	19-11/16"	19-11/16"	19-11/16"
Lamps (2 levels)	2 LED bulbs: 5.5W x 2			
Hood Fan	CFM Adjustable Platform (CAP)			
Speed 1	130 CFM	190 CFM	110 CFM	110 CFM
Speed 2	220 CFM	350 CFM	350 CFM	350 CFM
Speed 3	350 CFM	450 CFM	470 CFM	470 CFM
Speed 4	—	—	600 CFM	600 CFM
Delay-off	15 minutes			
Control Complement	Capacitive Touch Control with LED display, Bower Speed Adjustment, Light Hi/Low/Off, Delay-Off, Master Power ON/OFF			
Safety Standard	ETL Listed			
Net Weight	Approx. 23 lbs	Approx. 23 lbs	Approx. 24 lbs	Approx. 26 lbs

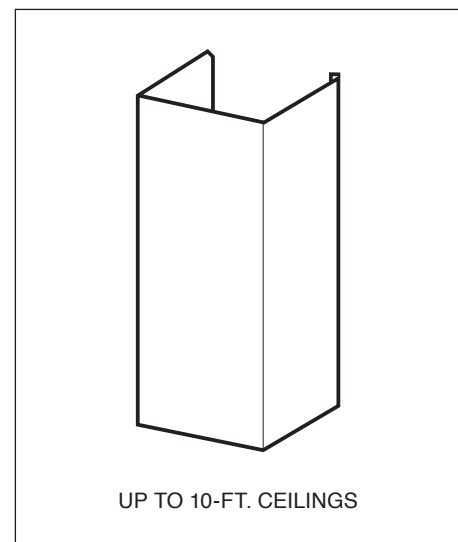
AVAILABLE ACCESSORY PARTS NUMBERS

RANGE HOOD	NON-DUCT KIT	CHARCOAL FILTERS	EXTENSION FLUE
SHC2432FS	SKCH32DLK	SKCH32CFL	SKCH62EXF
SHC3042FS	SKCH62DLK	SKCH62CFL	
SHC3062FS			
SHC3662FS			

NON-DUCT KIT



EXTENSION FLUE

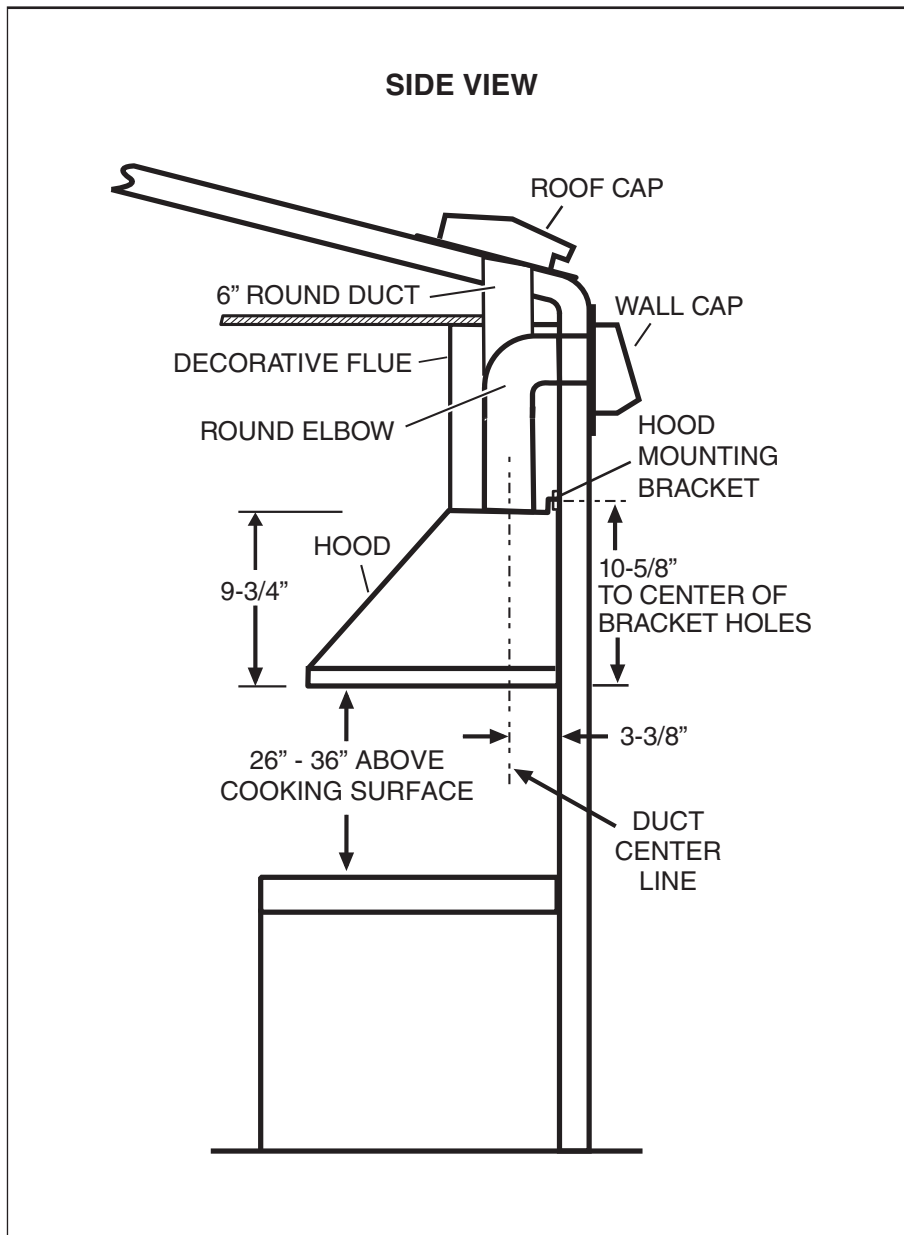


MEASURE THE INSTALLATION

The minimum hood distance above cooktop MUST NOT BE LESS than 26".

A maximum of 36" above cooktop is highly recommended for best capture of cooking impurities.

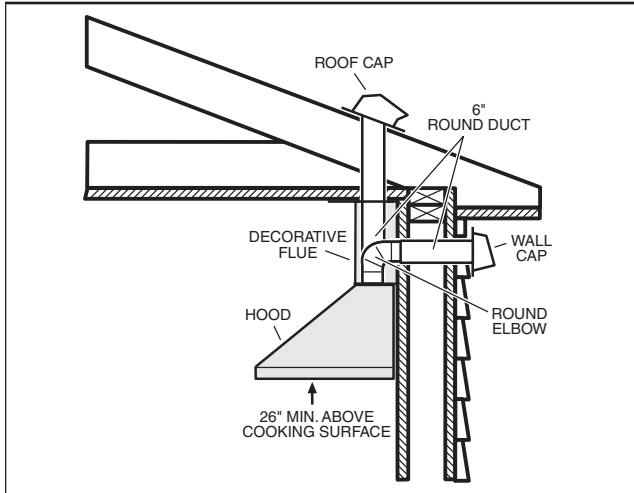
Distances over 36" are at the installer and users discretion; providing that the ceiling height permits.



INSTALLATION INSTRUCTIONS

INSTALL THE DUCTWORK (DUCTED HOODS ONLY)

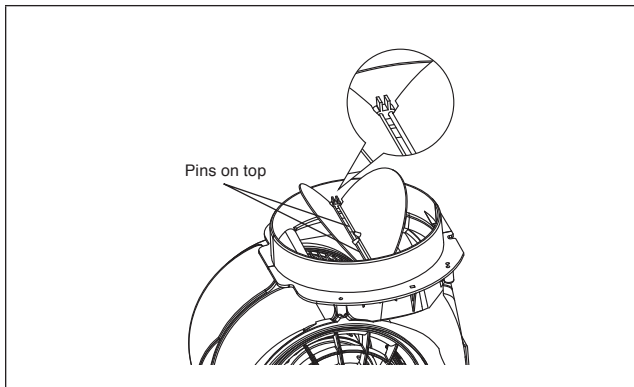
- 1 Decide where the ductwork will run between the hood and the outside.



- 2 A straight, short duct run will allow the hood to perform most efficiently.
- 3 Long duct runs, elbows and transitions will reduce the performance of the hood. Use as few of them as possible. Larger ducting may be required for best performance with longer duct runs.
- 4 Install wall cap or roof cap. Connect round metal ductwork to cap and work back towards the hood location. Use duct tape to seal the joints between ductwork sections.

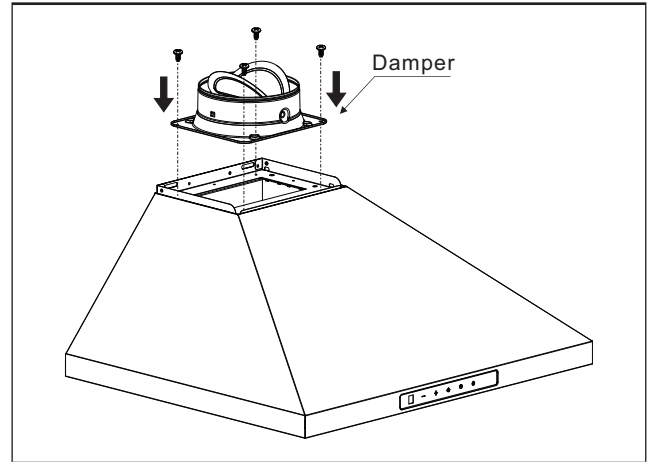
DAMPER/ADAPTER PREPARATION FOR SHC3062FS, SHC3662FS, SHC3042FS - DUCTED INSTALLATION ONLY:

Install both damper flaps inside the blower exhaust opening, ensuring the pins are top oriented. See illustration below.

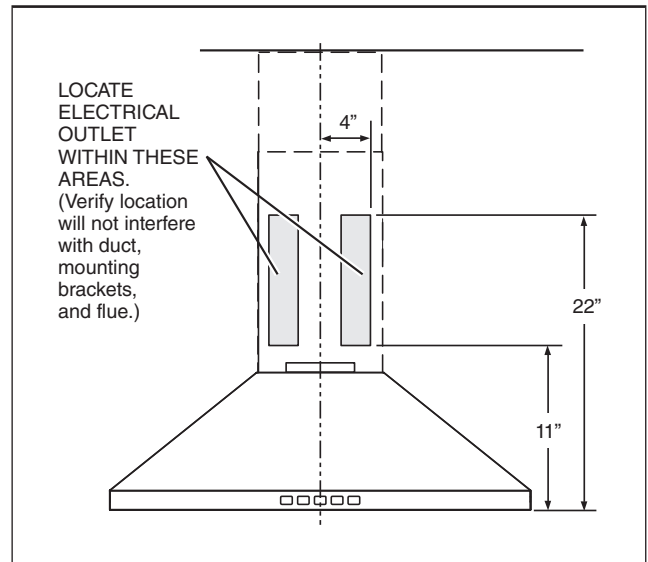


DAMPER/ADAPTER PREPARATION FOR SHC2432FS:

Damper is packed in side carton separately. Use four Mounting Screws (no. 8 x 3/8" Pan Head) to fix the damper as shown in the picture below.



INSTALL THE WIRING



GROUNDING INSTRUCTIONS

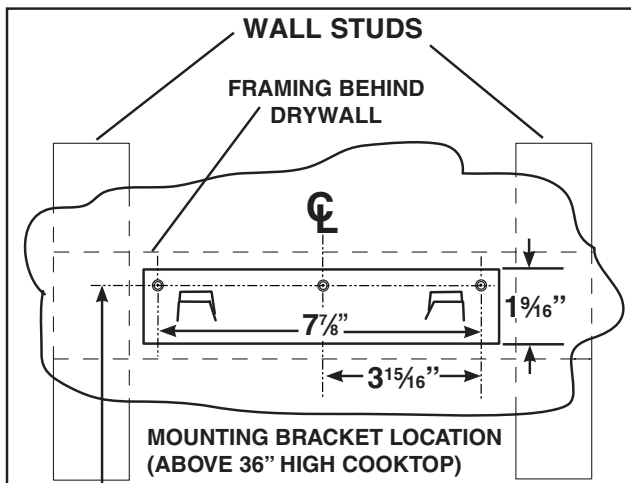
- This appliance must be grounded. In the event of an electrical short circuit, grounding reduces the risk of electric shock by providing an escape wire for the electric current.
- This appliance is equipped with a cord having a grounding wire with a grounding plug.
- The plug must be plugged into an outlet that is properly installed and grounded.

NOTE: A recessed "clock" outlet is recommended.

- Position the electrical outlet within the space covered by the decorative flue and where it will not interfere with the round duct. Make sure the outlet does not interfere with the mounting bracket fastening area, ductwork, or where the decorative flue touches the wall.

INSTALLATION INSTRUCTIONS

INSTALL THE HOOD MOUNTING BRACKET



40 5/8" = bottom of hood 30" above cooktop

- Construct wood wall framing that is flush with interior surface of wall studs. Make sure:
 - the framing is centered over installation location.
 - the height of the framing will allow the mounting bracket to be secured to the framing within the dimensions shown.
- After wall surface is finished, carefully center and level the hood mounting bracket and secure it to wall framing with (3) no. 8 x 1 1/2" mounting screws. Tighten the screws completely.

NOTE: Do not use drywall anchors.

NOTE:

On 8-ft. ceilings

Hood distance above cooktop is:
 Minimum 26", Maximum 34 3/4" (for ducted discharge)
 Minimum 26", Maximum 31" (for non-ducted discharge)

On 9-ft. ceilings

Hood distance above cooktop is:
 Minimum 32", Maximum 36" (for both ducted and non-ducted discharge)

On 10-ft. ceilings

Hood distance above cooktop is:
 Minimum 32", Maximum 36" (for both ducted and non-ducted discharge).

NOTE: 10-ft. ceilings require 10-ft. Flue Extension, Model FXN58SS for ducted or non-ducted installations (sold separately).

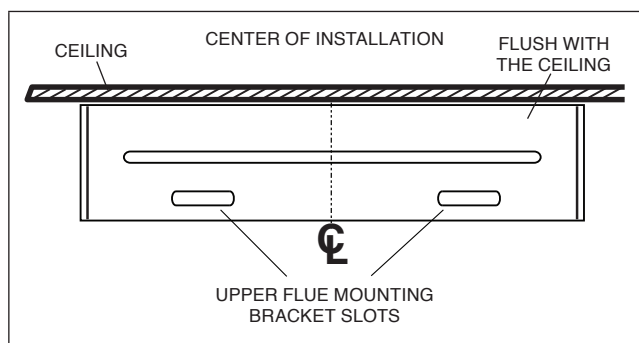
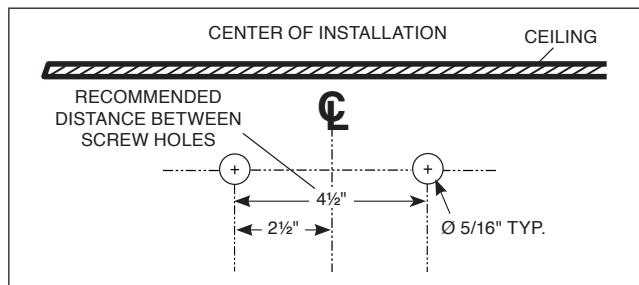
CEILING HEIGHT	DUCT METHOD	HOOD DISTANCE ABOVE 36" COOK TOP												
		N/A	N/A	26"	27"	28"	29"	30"	31"	32"	33"	34"	35"	36"
MOUNTING BRACKET LOCATION ABOVE 36" HIGH COOK TOP														
8 FEET	DUCTED	---	---	36-5/8"	37-5/8"	38-5/8"	39-5/8"	40-5/8"	41-5/8"	42-5/8"	43-5/8"	44-5/8"	---	---
	NON-DUCTED	---	---	36-5/8"	37-5/8"	38-5/8"	39-5/8"	40-5/8"	41-5/8"	---	---	---	---	---
9 FEET	DUCTED	---	---	---	---	---	---	---	---	42-5/8"	43-5/8"	44-5/8"	45-5/8"	46-5/8"
	NON-DUCTED	---	---	---	---	---	---	---	---	42-5/8"	43-5/8"	44-5/8"	45-5/8"	46-5/8"
10 FEET	DUCTED	---	---	---	---	---	---	---	---	42-5/8"	43-5/8"	44-5/8"	45-5/8"	46-5/8"
	NON-DUCTED	---	---	---	---	---	---	---	---	42-5/8"	43-5/8"	44-5/8"	45-5/8"	46-5/8"

NOTE: Minimum hood distance above cooktop must not be less than 26". Distances over 36" above the cooktop are at the installer's and user's discretion - providing that ceiling height and flue length permit.

INSTALLATION INSTRUCTIONS

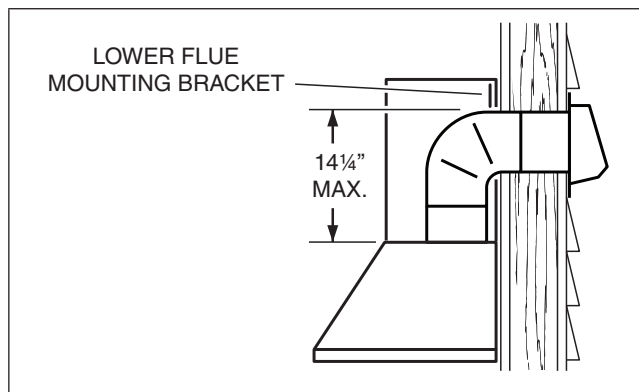
INSTALL UPPER FLUE MOUNTING BRACKET

- 1 If a framing member is not present, drill two $\frac{5}{16}$ " diameter holes where shown. Insert drywall anchors into the holes.
- 2 Center the bracket over the hood location and flush with the ceiling. Make sure that the slots of the upper flue bracket are at the bottom. Secure the upper flue bracket to the wall using (2) no. 8 x $1\frac{1}{2}$ " mounting screws.
- 3 Tighten the screws completely. Make sure that the bracket is tight against the wall.

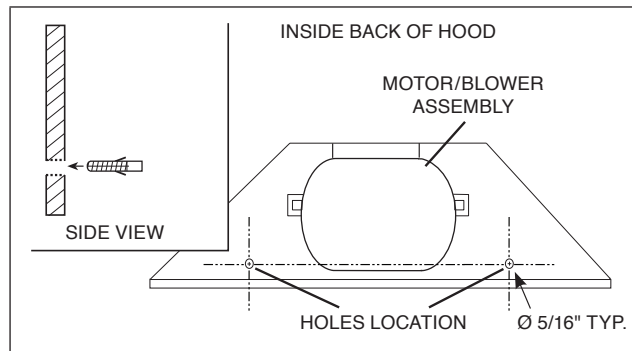


INSTALL THE HOOD (HORIZONTALLY DUCTED HOODS ONLY)

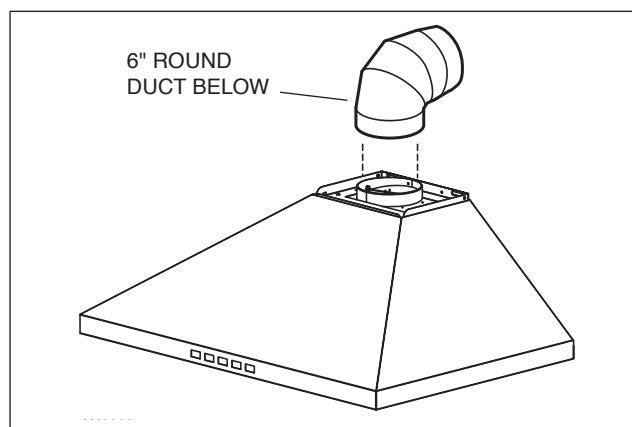
- 1 DO NOT REMOVE the protective plastic film covering the decorative flue and the hood at this time.
- 2 Lay the back side of the hood flat on a table. Use a piece of cardboard to avoid damaging the table or the hood.
- 3 Remove the grease filters by pulling down the metal latch tab and tilting filters downward to remove.
- 4 Carefully rotate hood upright.



- 5 To make sure there will be adequate clearance between top of hood and lower flue mounting bracket for ductwork: Elbow must be located below lower flue mounting bracket.
- 6 Align the hood and center it above the hood mounting bracket. Gently lower the hood until it securely engages the bracket.



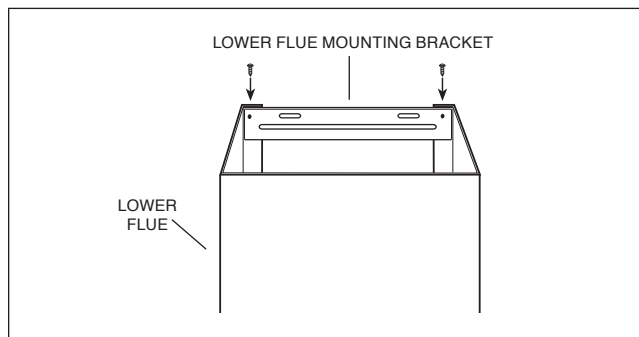
- 7 With the hood hanging in place, drill through both holes located in the inside lower back of hood using a $\frac{5}{16}$ " drill bit. Insert the included drywall anchors into the drilled holes (one for each hole). Install (2) washers and (2) no. 8 x $1\frac{1}{2}$ " mounting screws through the hood back and into the drywall anchors. Verify that the hood is centered and leveled. Tighten all screws completely.
- 8 Reinstall grease filters by aligning rear filter tabs with slots in the hood. Pull down the metal latch tab, push filter into position and release. Make sure filters are securely engaged after installation.



- 9 Measure and install 6" round steel ductwork to roof cap or wall cap and 90° elbow over the blower exhaust opening on top of hood. Use duct tape to make all joints secure and air tight.

INSTALLATION INSTRUCTIONS

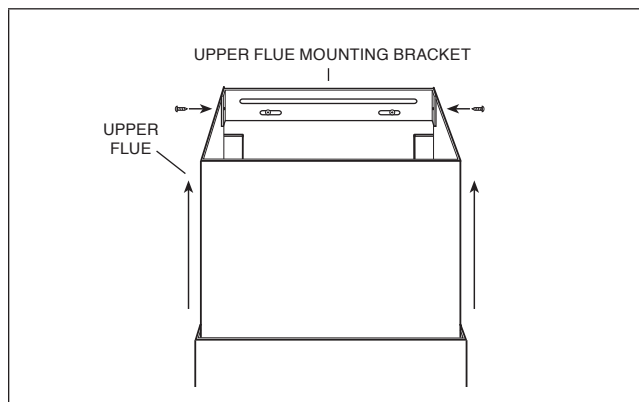
10 Plug hood power cord into the outlet.



NOTE: 10-ft. ceilings require 10-ft. Flue Extension Model SKCH62EXF (sold separately). Discard the upper flue supplied with your hood and replace it with the Model SKCH62EXF flue extension.

11 Remove the upper flue from inside the lower flue. Install the lower flue bracket to the lower flue using (2) flue bracket screws (no. 8 x 3/8"). Make sure that the bracket is positioned inside of the lower flue flanges - with the slots on top. Carefully replace the upper flue inside the lower flue. Remove protective plastic film covering the lower flue only.

12 Carefully place both flues into the recessed area of hood top. Slightly push aside the upper flue to avoid any damage while installing the lower flue to the hood top using (2) no. 8 x 3/8" screws through the lower flue side slots. Plug hood power cord into the outlet.

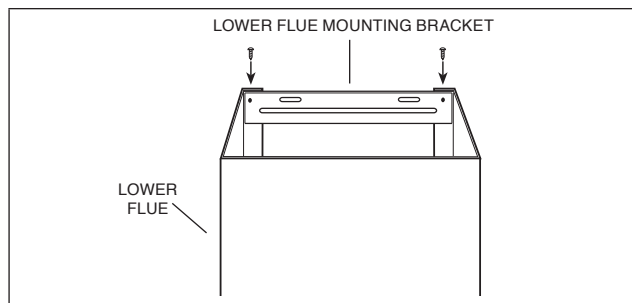


13 Slide the upper flue upward until it is aligned with its upper flue mounting bracket. The bracket should be inside the flue. Secure the upper flue to the upper flue mounting bracket using (2) no. 8 x 3/8" mounting screws.

14 Remove protective plastic film covering the upper flue and the hood.

INSTALL THE HOOD (VERTICALLY DUCTED HOODS ONLY)

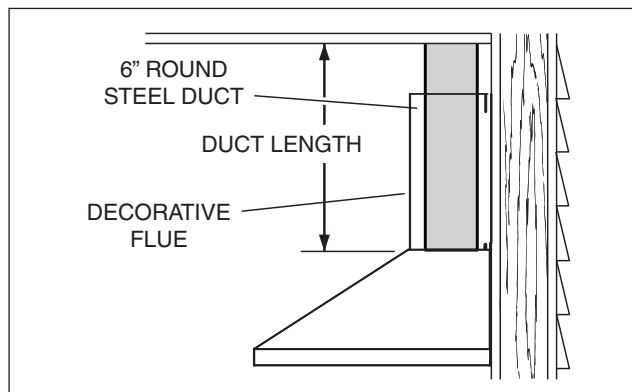
- 1 DO NOT REMOVE the protective plastic film covering the decorative flue and the hood at this time.
- 2 Lay the back side of the hood flat on a table. Use a piece of cardboard to avoid damaging the table or the hood.
- 3 Remove the grease filters by pulling down the metal latch tab and tilting filters downward to remove.
- 4 Carefully rotate hood upright.



NOTE: 10-ft. ceilings require 10-ft. Flue Extension Model SKCH62EXF (sold separately). Discard the upper flue supplied with your hood and replace it with the Model SKCH62EXF flue extension.

5 Remove the upper flue from inside the lower flue. Install the lower flue bracket to the lower flue using (2) flue bracket screws (no. 8 x 3/8"). Make sure that the bracket is positioned inside of the lower flue flanges - with the slots on top. Carefully replace the upper flue inside the lower flue. Remove protective plastic film covering the lower flue only.

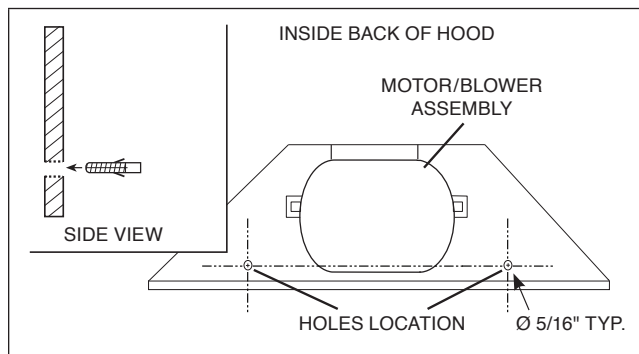
6 Carefully place both flues into the recessed area of hood top.



- 7 Measure and install 6" round steel ductwork to the blower exhaust opening on top of hood. Use metal duct tape to make all joints secure and air tight.
- 8 Hold hood up close to wall mounting location and plug power cord into wall outlet.
- 9 Align the hood and center it above the hood mounting bracket. Make sure ductwork on hood lines up and attaches to ductwork in ceiling. Gently lower the hood until it securely engages the bracket.

INSTALLATION INSTRUCTIONS

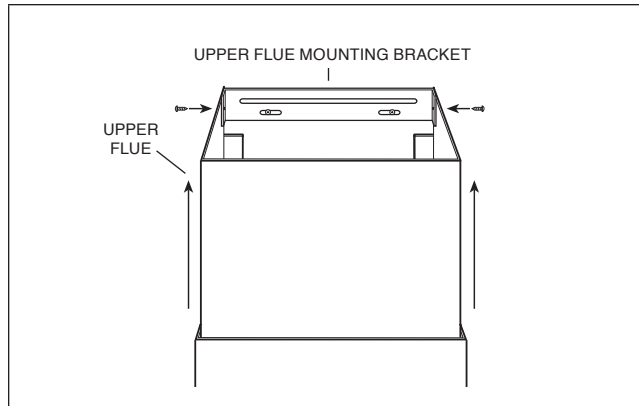
10 Use duct tape to make all joints secure and air tight.



11 With the hood hanging in place, drill through both holes located in the inside lower back of hood using a $\frac{5}{16}$ " drill bit. Insert the included drywall anchors into the drilled holes (one for each hole). Install (2) washers and (2) no. 8 x $\frac{1}{2}$ " mounting screws through the hood back and into the drywall anchors. Verify that the hood is centered and leveled. Tighten all screws completely.

12 Reinstall grease filters by aligning rear filter tabs with slots in the hood. Pull down the metal latch tab, push filter into position and release. Make sure filters are securely engaged after installation.

13 Slightly push aside the upper flue to avoid any damage while installing the lower flue to the hood top using (2) no. 8 x $\frac{3}{8}$ " screws through the lower flue side slots.



14 Slide the upper flue upward until it is aligned with its upper flue mounting bracket. The bracket should be inside the flue. Secure the upper flue to the upper flue mounting bracket using (2) no. 8 x $\frac{3}{8}$ " mounting screws.

15 Remove protective plastic film covering the upper flue and the hood.

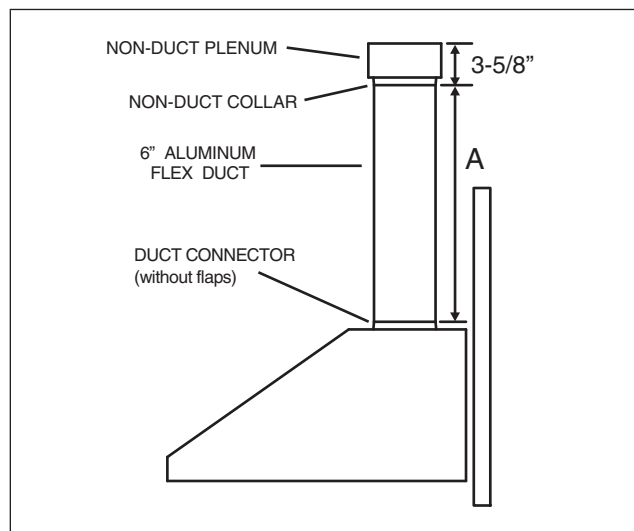
INSTALL THE HOOD (NON-DUCTED HOODS ONLY)

Non-ducted installation requires a Non-Duct kit for your model which is separately sold.

AVAILABLE ACCESSORY PARTS NUMBERS

RANGE HOOD	NON-DUCT KIT	CHARCOAL FILTERS	EXTENSION FLUE
SHC2432FS	SKCH32DLK	SKCH32CFL	SKCH62EXF
SHC3042FS	SKCH62DLK	SKCH62CFL	
SHC3062FS			
SHC3662FS			

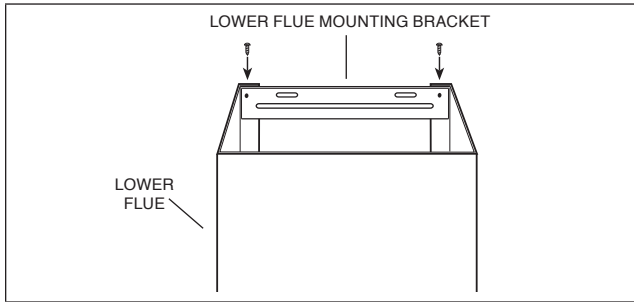
- CAUTION** Use only flexible duct provided.
- Do not remove the protective plastic film covering the decorative flue and the hood at this time.
- Lay the back side of the hood flat on a table. Use a piece of cardboard to avoid damaging the table or the hood.
- Attach non-duct collar to non-duct plenum using (4) no. 8 x $\frac{3}{8}$ " pan head screws.
- Measure distance "A". This will be the length of the extended flex duct.



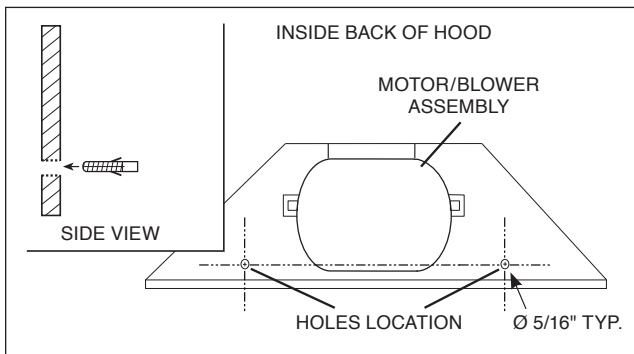
- Attach aluminum flexible duct to the damper / duct connector with a tie wrap.
- Attach flexible duct to non-duct plenum collar and secure with tie wrap. Tape all joints with duct tape.

NOTE: 10-ft. ceilings require 10-ft. Flue Extension Model SKCH62EXF (sold separately). Discard the upper flue supplied with your hood and replace it with the Model SKCH62EXF flue extension.

INSTALLATION INSTRUCTIONS

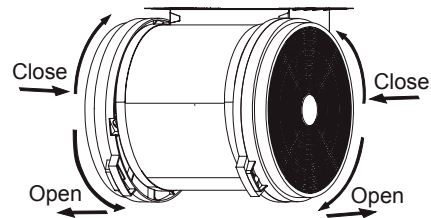


- 8 Remove the upper flue from inside the lower flue. Install the lower flue bracket to the lower flue using (2) flue bracket screws (no. 8 x 3/8"). Make sure that the bracket is positioned inside of the lower flue flanges - with the slots on top. Carefully replace the upper flue inside the lower flue. Remove protective plastic film covering the lower flue only.
- 9 Carefully place both flues into the recessed area of hood top. Slightly push aside the upper flue to avoid any damage while installing the lower flue to the hood top by using (2) no. 8 x 3/8" screws through the lower flue side slots.
- 10 Attach non-duct plenum with collar to upper flue using (4) no. 8 x 3/8" pan head screws.
- 11 Hold hood up close to wall mounting location and plug power cord into wall outlet.
- 12 Align the hood and center it above the hood mounting bracket. Gently lower the hood until it securely engages the bracket.

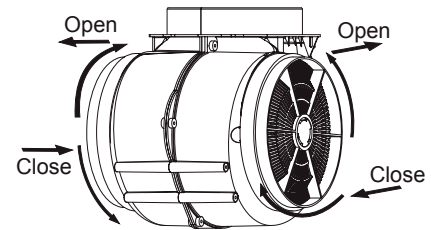


- 13 With the hood hanging in place, drill through both holes located in the inside lower back of hood using a 5/16" drill bit. Insert the included drywall anchors into the drilled holes (one for each hole). Install (2) washers and (2) no. 8 x 1 1/2" mounting screws through the back of the hood and into the drywall anchors. Verify that the hood is centered and leveled. Tighten all screws completely.
- 14 Attach (2) two non-duct recirculation filters to sides of blower by aligning key lock slot and rotating until filters lock into place. For replacement non-duct recirculation filters - purchase SKCH32CFL for SHC2432FS; SKCH62CFL for SHC3062FS, SHC3042FS and SHC3662FS (set of 2 filters).

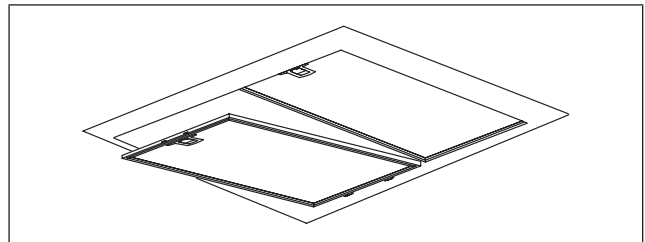
INSTALLATION OF SKCH32CFL FOR SHC2432FS



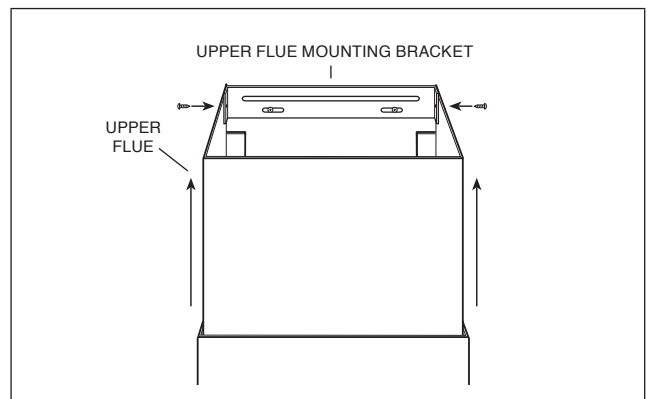
INSTALLATION OF SKCH62CFL FOR SHC3042FS/SHC3062FS/SHC3662FS



- 15 Install grease filters by aligning rear filter tabs with slots in the hood. Pull down the metal latch tab, push filter into position and release. Make sure filters are securely engaged after installation.

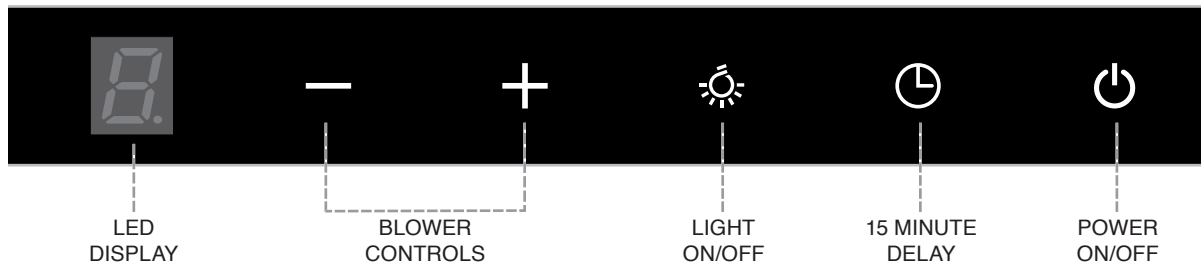


- 16 Slide up the upper flue upward until it is aligned with its upper flue mounting bracket. The bracket should be inside the flue. Secure the upper flue to the upper flue mounting bracket using (2) no. 8 x 3/8" mounting screws.



- 17 Remove protective plastic film covering the flue and the hood.

CONTROL PANEL



LED DISPLAY

- It indicates the blower power level by number.

BLOWER CONTROL

- Tap the + blower control; the backlight of button will turn on, the blower starts to work on low speed and the LED display shows 1.
- Tap it another time; the blower will reach medium speed and LED display shows 2.
- Tap it another time; the blower will reach high speed and the LED display shows 3.
- (For 600 CFM models – SHC3062FS and SHC3662FS) Tap again; the blower will reach the boost mode and the LED display will show 4. The motor will run for 10-minutes and then automatically decrease to high speed and the LED display will show 3.
- Tap the – blower control; the backlight of button will be on, the blower speed will decrease one speed and the LED display will show the current working speed.
- When the blower is set on low speed (1), tapping it another time will turn off the blower (as well as the backlight of the – blower control).

15-MINUTE DELAY

- While the blower is on, tap it once (its back light will turn on) to get the hood running for 15 minutes and then automatically turn off blower and lights.
- To cancel the delay off function before the end of the 15-minute cycle, tap it again or change the blower speed by one of blower control buttons (+ or -). The backlight of the 15-minute delay button will then turn off.

POWER ON/OFF

- Tap once; the back light of the button will turn on, the blower will work on low speed and light will be on, too.
- Tap another time; the blower and the light will turn off as well as all backlights.

CAP (CFM ADJUSTABLE PLATFORM) SETTING (SHC3062FS & SHC3662FS ONLY)

In case the blower power (CFM = Cubic Feet per Minute) shall be limited due to state or local “Makeup Air” regulations, the CFM can be adjusted to a lower level to comply with the regulations. There are two different CFM adjustments settings; 1) maximum CFM <300 CFM and 2) maximum CFM <400 CFM. Please adjust the CFM properly by following the instruction below.

- 1 Hold the – and + blower controls for 5 seconds, the backlights of the – and + blower control buttons will illuminate, and an audible 3 short beeps; the LED display will show B. The range hood is changed to 400 CFM setting mode.
- 2 Hold the – and + blower controls for 5 seconds, the backlights of the – and + blower control buttons will illuminate, and an audible 5 short beeps; the LED display will show C. The range hood is changed to 300 CFM setting mode.

The PCB will have memory function. The above setting must be set before end user starts to use. And after then, even if the range hood has an electrical breakdown, the speed setting mode will be unchanged.

CLEANING & MAINTENANCE

Proper maintenance of the Range Hood will assure proper performance of the unit.

MOTOR

The motor is permanently lubricated and never needs oiling. If the motor bearings make excessive or unusual noise, replace the blower with the exact service blower.

CONTROL PANEL SURFACE

The inlay control panel can be cleaned using warm soapy water. Ensure the cloth is clean and well wrung before cleaning. Use a dry soft cloth to remove any excess moisture left after cleaning.

IMPORTANT

Use mild liquid dish detergents and avoid using harsh cleaning chemicals, strong household detergents or products containing abrasives, as this will affect the appearance of the appliance and potentially remove any printing of artwork on the control panel and may void manufacturer's warranty.

GREASE FILTERS

The grease filters should be cleaned frequently. Use a warm dishwasher detergent solution. Grease filters are dishwasher safe.

Clean all-metal filters in the dishwasher using a non-phosphate detergent. Discoloration of the filters may occur if using phosphate detergents, or as a result of local water conditions - but this will not affect filter performance. This discoloration is not covered by the warranty.

Remove grease filters by pulling down on the metal latch tab. This will disengage the filter from the hood. Tilt the filter downward and remove.

NON-DUCTED RECIRCULATION FILTERS

The non-ducted recirculation filters should be changed every 6 months. Replace more often if your cooking style generates extra grease, such as frying and wok cooking. Turn the filter mounting tabs to remove filter and replace.

STAINLESS STEEL CLEANING

DO:

- Regularly wash with clean cloth or rag soaked with warm water and mild soap or liquid dish detergent.
- Always clean in the direction of original polish lines.
- Always rinse well with clear water (2 or 3 times) after cleaning. Wipe dry completely.
- You may also use a specialized household stainless steel cleaner.

DON'T:

- Use any steel or stainless steel wool or any other scrapers to remove stubborn dirt.
- Use any harsh or abrasive cleansers.
- Allow dirt to accumulate.
- Let plaster dust or any other construction residues reach the hood. During construction/renovation, cover the range hood to make sure no dust sticks to the stainless steel surface.

AVOID: WHEN CHOOSING A DETERGENT

- Any cleaners that contain bleach will attack stainless steel
- Any products containing: chloride, fluoride, iodide, bromide will deteriorate surfaces rapidly.
- Any combustible products used for cleaning such as acetone, alcohol, ether, benzol, etc., are highly explosive and should never be used close to a range.

TROUBLE SHOOTING

FAULT	POSSIBLE CAUSE	SOLUTION
Light on, but motor does not work	• Fan switch turned off	• Select a fan switch position
	• Fan switch failed	• Contact service center
	• Motor failed	• Contact service center
Light on, but motor does not work	• House fuses blown	• Reset/Replace fuses
	• Mains power cable is loose or disconnected	• Refit mains power cable to power outlet • Switch power outlet on
Oil leakage	• One way valve and the outlet are not tightly sealed	• Take down the one way valve and seal with sealant
	• Leakage from the connection of chimney and cover	• Take chimney down and seal
Lights not working	• Broken or faulty bulbs	• Replace bulbs as per this instruction
Insufficient suction	• The distance between the range hood and the gas top is too far	• Refit the range hood to the correct distance
The Range hood inclines	• The fixing screw is not tight enough	• Tighten the hanging screw and make it horizontal

▲ NOTE

Any electrical repairs to this appliance must conform to your local, state and federal laws. Please contact the SHARP Customer Service 1-800-BE-SHARP if there is any questions before undertaking any of the above. Always disconnect the unit from the power source when opening the unit.



SHARP[®]

SHARP ELECTRONICS CORPORATION • 100 Paragon Drive • Montvale, New Jersey 07645 • USA

