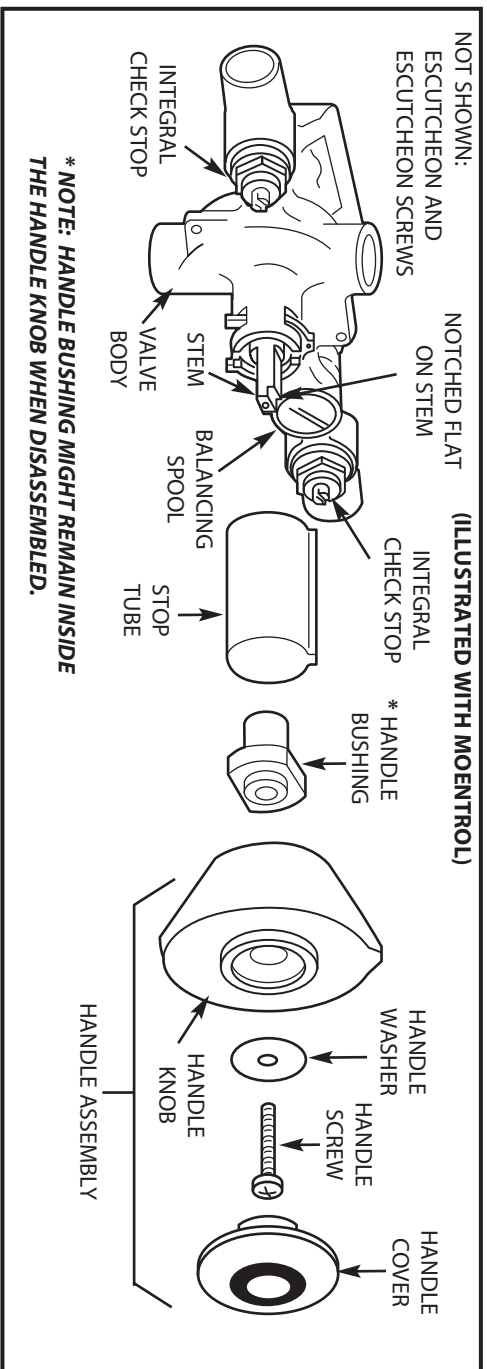


ADJUSTABLE TEMPERATURE LIMIT STOPS

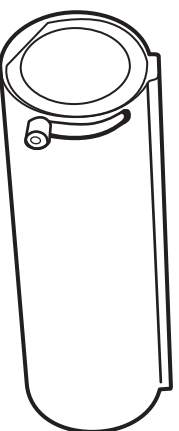
FOR ALL MOEN TUB AND SHOWER VALVES

MOENTROL - USE PART NO. 10066
MOEN - CHATEAU - MOENIQUE - BOUTIQUE
USE PART NO. 10510

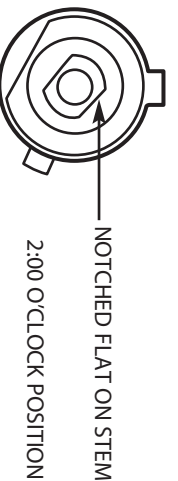
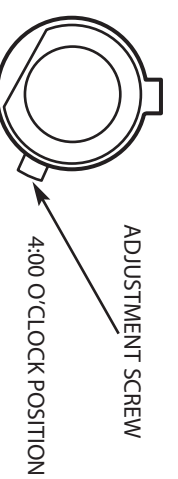


To install adjustable temperature limit stop, remove handle cover, handle screw, handle knob, handle parts and stop tube. Discard the stop tube. Slide on in it's place the adjustable temperature limit stop.

TO ADJUST TEMPERATURE LIMIT STOP

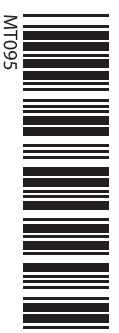


1. Adjustment screw of temperature limit stop must be set full down at the 4:00 o'clock position. **DO NOT TIGHTEN.**
2. Turn valve cartridge stem to cold position at 2:00 o'clock position.



3. Re-install handle knob with pointer in line with notched flat on stem at 2:00 o'clock position. Turn valve on.
4. Slowly turn handle knob to left and up to mix position. When desired, maximum temperature of mixed water is reached, carefully remove handle knob so that cartridge stem does not turn.
5. Securely tighten adjustment screw and lock in place with hex wrench furnished.
6. Re-assemble handle parts, handle knob and handle screw. Tighten handle screw securely and replace handle cover.

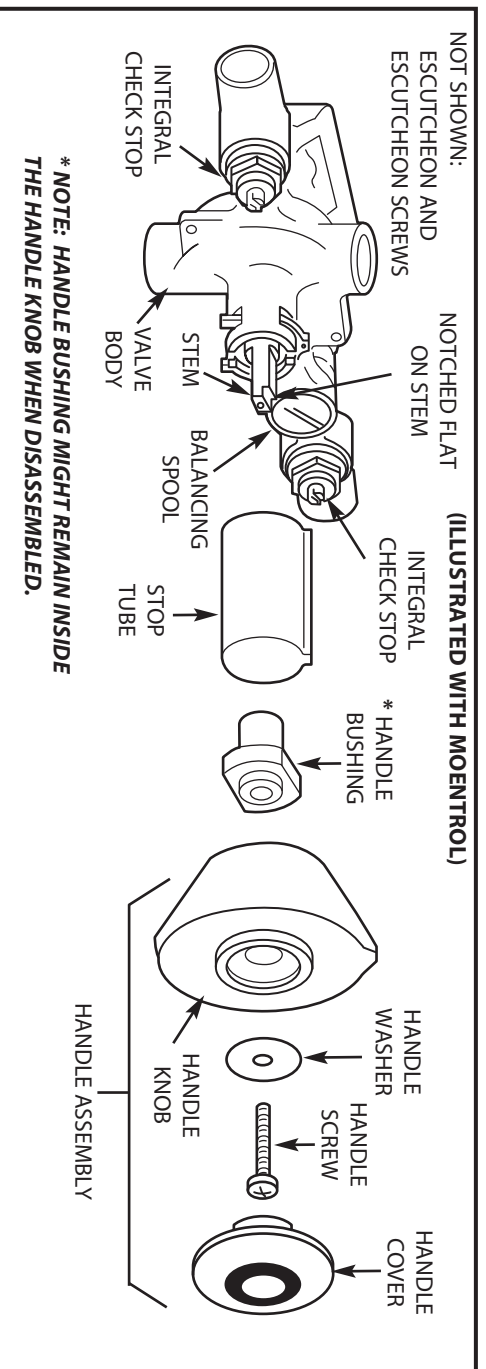
NOTE: Before adjusting, make sure hot water supply is delivering maximum hot water temperature.



ADJUSTABLE TEMPERATURE LIMIT STOPS

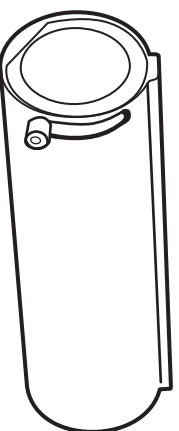
FOR ALL MOEN TUB AND SHOWER VALVES

MOENTROL - USE PART NO. 10066
MOEN - CHATEAU - MOENIQUE - BOUTIQUE
USE PART NO. 10510

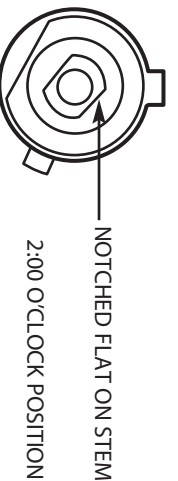
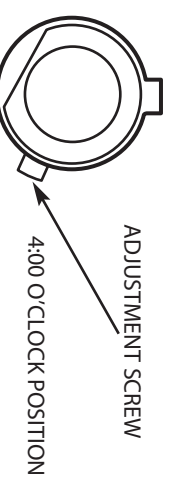


To install adjustable temperature limit stop, remove handle cover, handle screw, handle knob, handle parts and stop tube. Discard the stop tube. Slide on in it's place the adjustable temperature limit stop.

TO ADJUST TEMPERATURE LIMIT STOP

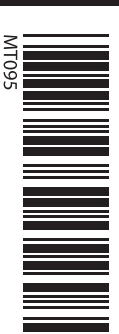


1. Adjustment screw of temperature limit stop must be set full down at the 4:00 o'clock position. **DO NOT TIGHTEN.**
2. Turn valve cartridge stem to cold position at 2:00 o'clock position.



3. Re-install handle knob with pointer in line with notched flat on stem at 2:00 o'clock position. Turn valve on.
4. Slowly turn handle knob to left and up to mix position. When desired, maximum temperature of mixed water is reached, carefully remove handle knob so that cartridge stem does not turn.
5. Securely tighten adjustment screw and lock in place with hex wrench furnished.
6. Re-assemble handle parts, handle knob and handle screw. Tighten handle screw securely and replace handle cover.

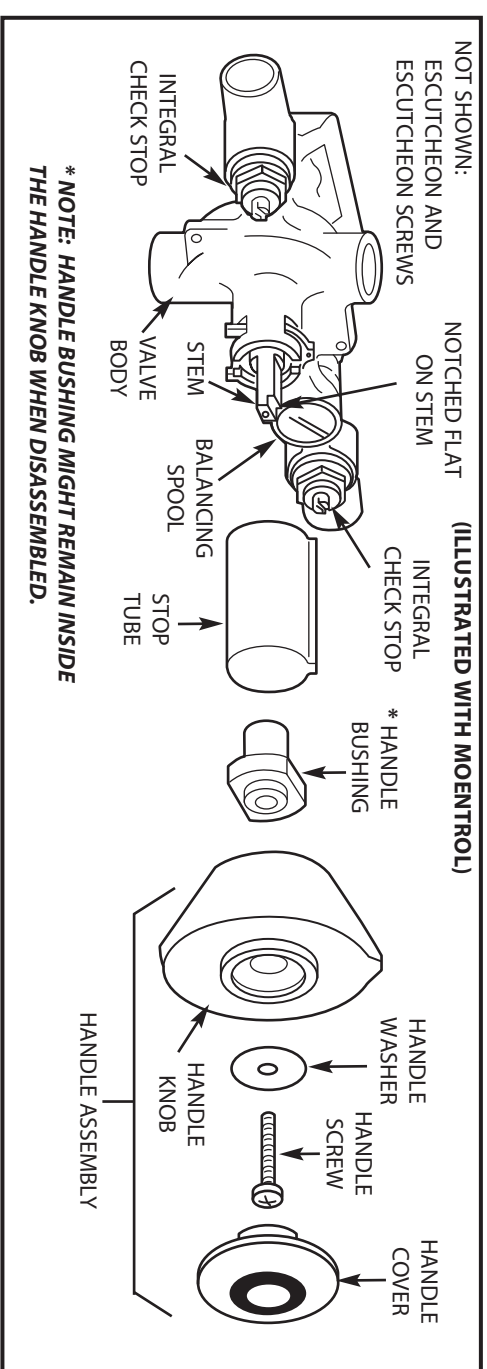
NOTE: Before adjusting, make sure hot water supply is delivering maximum hot water temperature.



ADJUSTABLE TEMPERATURE LIMIT STOPS

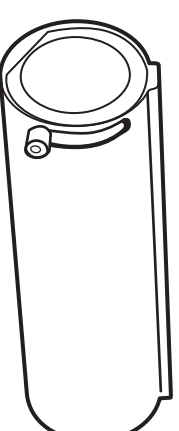
FOR ALL MOEN TUB AND SHOWER VALVES

MOENTROL - USE PART NO. 10066
MOEN - CHATEAU - MOENIQUE - BOUTIQUE
USE PART NO. 10510

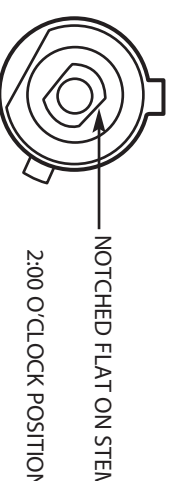
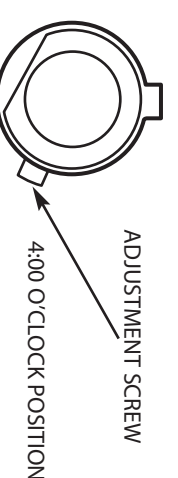


To install adjustable temperature limit stop, remove handle cover, handle screw, handle knob, handle parts and stop tube. Discard the stop tube. Slide on in it's place the adjustable temperature limit stop.

TO ADJUST TEMPERATURE LIMIT STOP

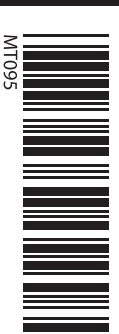


1. Adjustment screw of temperature limit stop must be set full down at the 4:00 o'clock position. **DO NOT TIGHTEN.**
2. Turn valve cartridge stem to cold position at 2:00 o'clock position.



3. Re-install handle knob with pointer in line with notched flat on stem at 2:00 o'clock position. Turn valve on.
4. Slowly turn handle knob to left and up to mix position. When desired, maximum temperature of mixed water is reached, carefully remove handle knob so that cartridge stem does not turn.
5. Securely tighten adjustment screw and lock in place with hex wrench furnished.
6. Re-assemble handle parts, handle knob and handle screw. Tighten handle screw securely and replace handle cover.

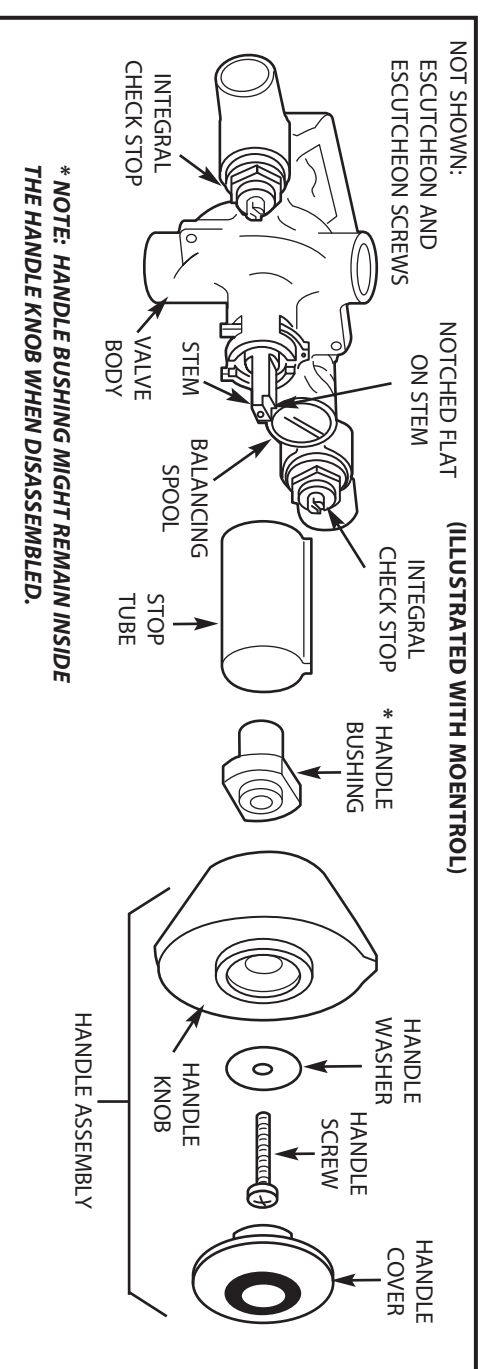
NOTE: Before adjusting, make sure hot water supply is delivering maximum hot water temperature.



ADJUSTABLE TEMPERATURE LIMIT STOPS

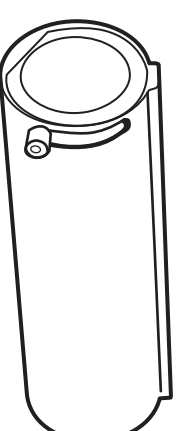
FOR ALL MOEN TUB AND SHOWER VALVES

MOENTROL - USE PART NO. 10066
MOEN - CHATEAU - MOENIQUE - BOUTIQUE
USE PART NO. 10510

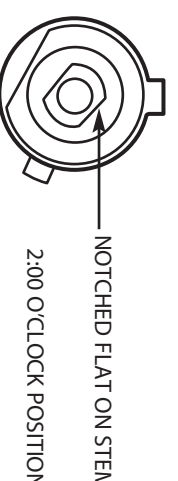
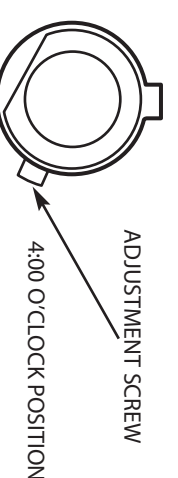


To install adjustable temperature limit stop, remove handle cover, handle screw, handle knob, handle parts and stop tube. Discard the stop tube. Slide on in it's place the adjustable temperature limit stop.

TO ADJUST TEMPERATURE LIMIT STOP



1. Adjustment screw of temperature limit stop must be set full down at the 4:00 o'clock position. **DO NOT TIGHTEN.**
2. Turn valve cartridge stem to cold position at 2:00 o'clock position.



3. Re-install handle knob with pointer in line with notched flat on stem at 2:00 o'clock position. Turn valve on.
4. Slowly turn handle knob to left and up to mix position. When desired, maximum temperature of mixed water is reached, carefully remove handle knob so that cartridge stem does not turn.
5. Securely tighten adjustment screw and lock in place with hex wrench furnished.
6. Re-assemble handle parts, handle knob and handle screw. Tighten handle screw securely and replace handle cover.

NOTE: Before adjusting, make sure hot water supply is delivering maximum hot water temperature.