

SUNSTONE®



Sunstone® 30-inch Electric Warming Drawer

Item Number - SAP30WDPRO

110 Volt Electrical 4.08 AMPS

Read all instructions before you operate your appliance.

Save these instructions!



To installer or person assembling appliance: Leave this manual with appliance for future reference.

To consumer: Keep this manual for future reference.

www.sunstonemetalproducts.com

Welcome & Congratulations

Congratulations on your purchase of a new Sunstone Warming Drawer! We are very proud of our product and we are completely committed to providing you with the best service possible. Your satisfaction is our #1 priority. Please read this manual carefully to understand all the instructions about how to install, operate and maintain for optimum performance and longevity. We know you'll enjoy your new appliance and thank you for choosing our product. We hope you consider us for future purchases.

How to Obtain Service

Before you call

Is there Electrical supplied to the Drawer?

Have you checked your GFCI or Breaker?

Please make sure you have the following information:

MODEL NUMBER | DATE OF PURCHASE | INVOICE NUMBER.

For warranty service, contact SUNSTONE Customer Service Department at (888)-934-9449 or email service@sunstonemetalproducts.com.

SUNSTONE METAL PRODUCTS LLC.
16004 Central Commerce Dr, Pflugerville Texas 78660.

Business Hours.

Mon. to Thur. 9:00AM to 4:30PM

Closed Fri/Sat/Sun

Tel: 512-487-5116

Toll Free: 888-934-9449 (Technical Support Line)

Fax: 512-487-7016

Must keep copy of your sales slip for proof of purchase.

NAME _____ DATE OF PURCHASE _____

ADDRESS _____

MODEL NO _____ INVOICE NO _____

COMPANY THAT YOU PURCHASED FROM _____

INDEX DIRECTORY

DRAWER PARTS	
PARTS INDEX	1
PARTS DIAGRAM	1
DRAWER INSTALLATION	
PRODUCT DIMENSIONS	2
INSTALLATION OVERVIEW	3
DRAWER OPERATION	
USING WARMING DRAWER	4
DIGITAL CONTROLS	5
DRAWER CONFIGURATIONS	
DRAWER FACE UPGRADE	6
DRAWER CONFIGURATIONS	7
APPLIANCE CABINET OPTION	8
DRAWER TECHNICAL	
TROUBLE SHOOTING	9
DRAWER WARRANTY	10

HAZARDS & WARNING SIGNS



ATTENTION: Indicates a potentially hazardous situation which, if not avoided, may result in minor or moderate personal injury, or property damage.



WARNING: Indicates an imminently hazardous situation which, if not avoided, will result in death or serious injury.



VOLTAGE: Indicates a potentially hazardous situation which, if not avoided, may result in minor or moderate electrical shock.



EXPLOSION: Indicates an imminently hazardous situation which, if not avoided, will result in possible explosion and cause death or severe injury.



BODILY INJURY: Indicates a potentially hazardous situation which, if not avoided, may result in minor or moderate personal injury, or property damage.



HOT SURFACE: Indicates an imminently hazardous hot surface which, if not avoided, will result in serious burn or injury.



LIVE CIRCUIT: Indicates a potentially hazard from Live electrical current that if extreme caution is not used, may result in minor or moderate personal injury, or property damage.

SAFETY INSTRUCTIONS



ATTENTION: Read all instructions carefully before operating your warming drawer.

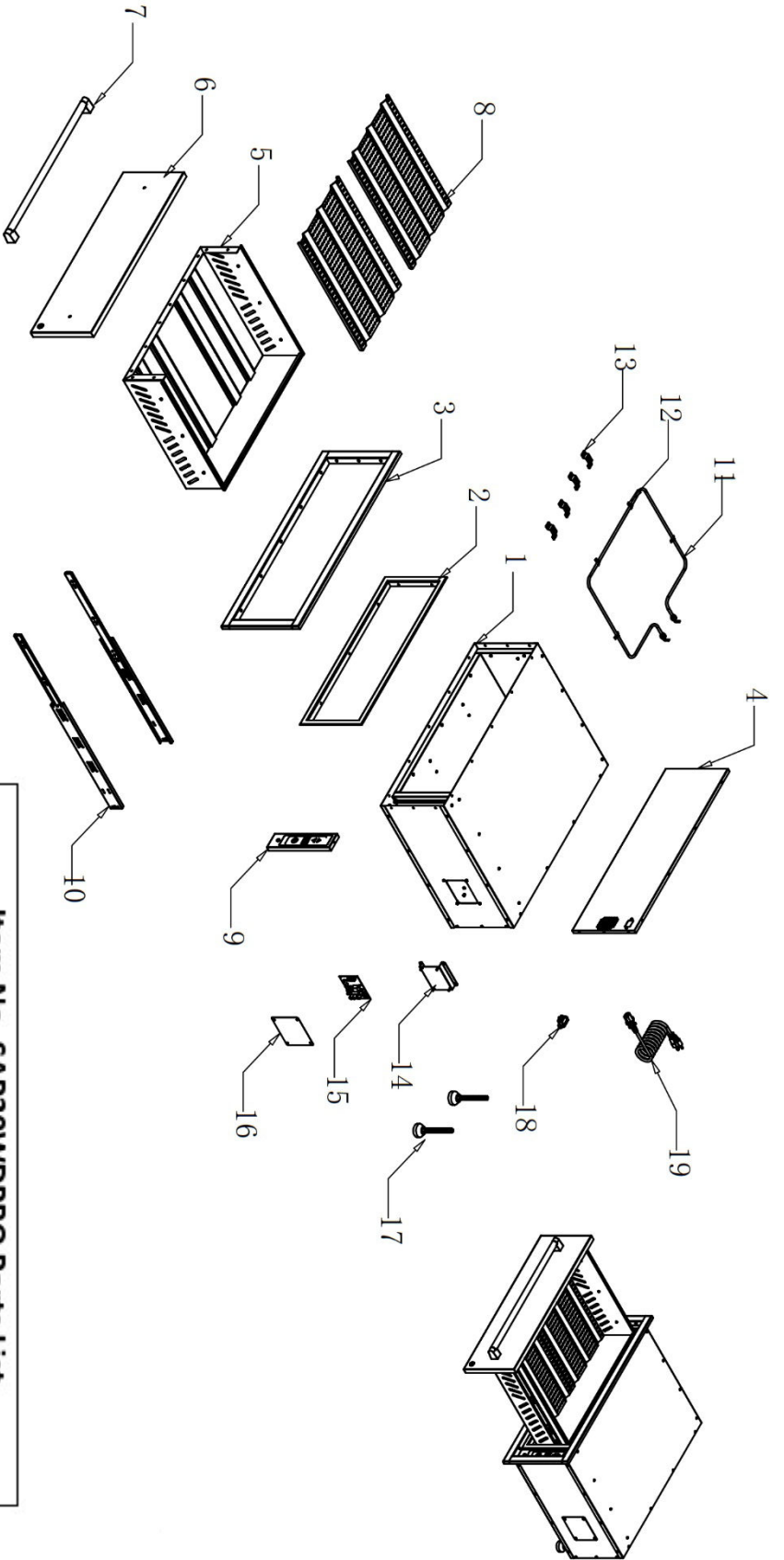
Pre-Install Customer Checklist

- Contact Qualified Electrical Installer
- 110-volt electrical supply GFCI outlet near warming drawer
- Recommend separate circuit serving this appliance only
- Grounded 3-Prong GFCI Plug
- Maintain 24" Clearance of Combustible Materials
- All parts and components are properly installed
- Island is properly vented with minimum two vents



VOLTAGE – Improper connection of the equipment-grounding conductor can result in a risk of electric shock. Check with a qualified electrician or serviceman. If you are in doubt as to whether the appliance is properly grounded. Do not modify the plug provided with appliance

DRAWER PARTS- PARTS LIST & DIAGRAM



Item No. SAP30WDPRO Parts List			
No	Description	Qty	Part No.
1	Drawer Box Assembly	1	SAP3-DBOX
2	Inner Frame	1	SAP3-INFR
3	Outer Frame	1	SAP3-OUFR
4	Drawer Box Back Panel	1	SAP3-BBPA
5	Drawer Body	1	SAP3-DRBO
6	Drawer Face Panel	1	SAP3-DRFP
7	Drawer Handle	1	SAP3-HAND
8	Drawer Enforcement Panel	2	SAP3-ENFP
9	Control Panel Assembly	1	SAP3-CPAS

Item No. SAP30WDPRO Parts List			
No	Description	Qty	Part No.
10	450 MM Drawer Track	1	SAP3-TRCK
11	Drawer Heating Line	1	SAP3-DHELI
12	Drawer Heating Line Card	4	SAP3-DHELC
13	Heating Line Fixing Clip	4	SAP3-HELFC
14	Control Panel Fixing Clip	1	SAP3-CPFIC
15	Drawer Mother Board	1	SAP3-DMOB
16	Outside Sealing Plate	1	SAP3-OSEPL
17	Peg-Leg Lifting Feet	2	SAP3-PGLEG
18	Upside-Down T-Shape Socket	1	SAP3-UDTS
19	Electrical Power Cord	1	SAP3-ELPC

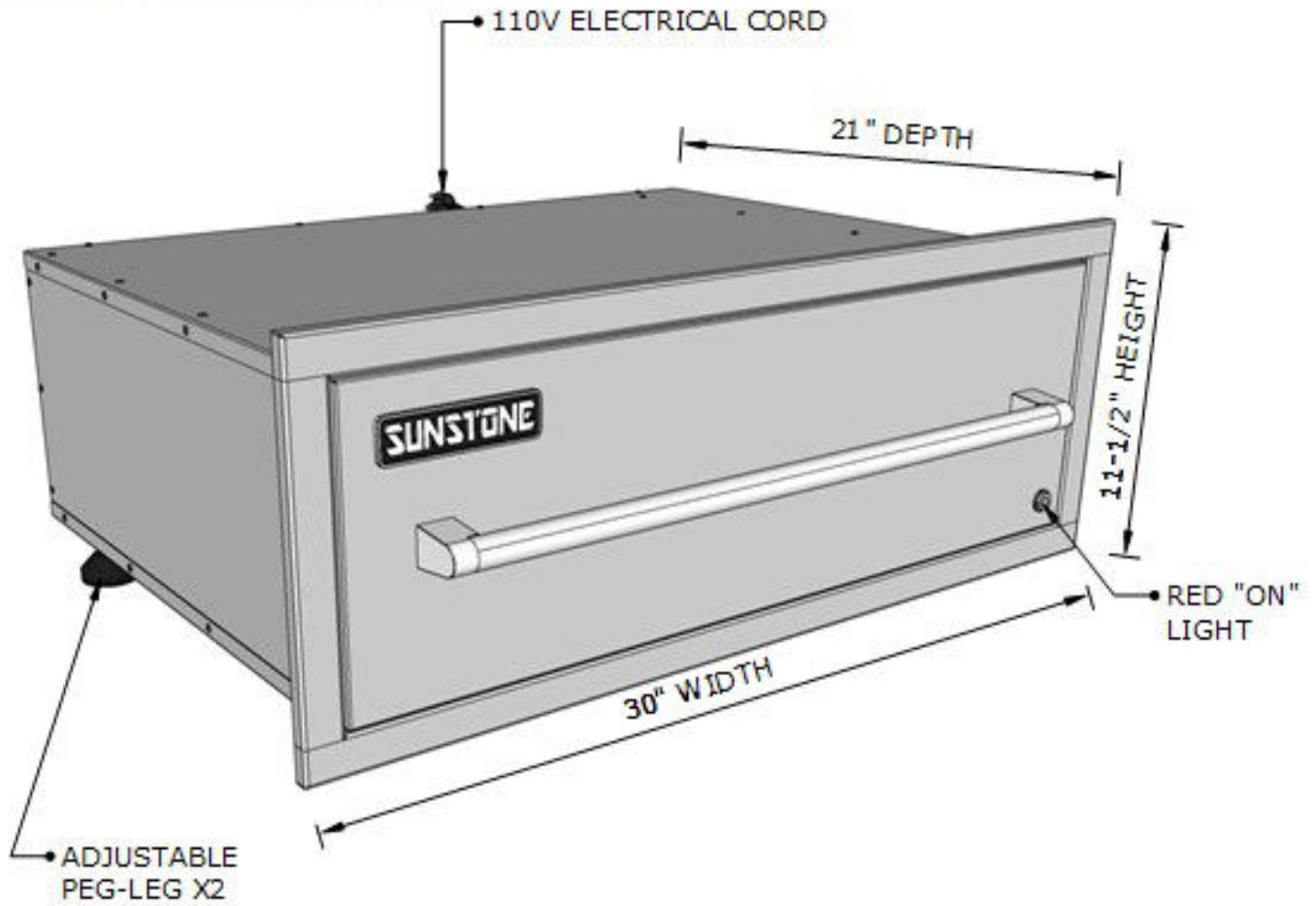


LIVE CIRCUIT: Use only with a Ground-Fault Circuit Interrupter - GFCI protected Outlet with this grill.



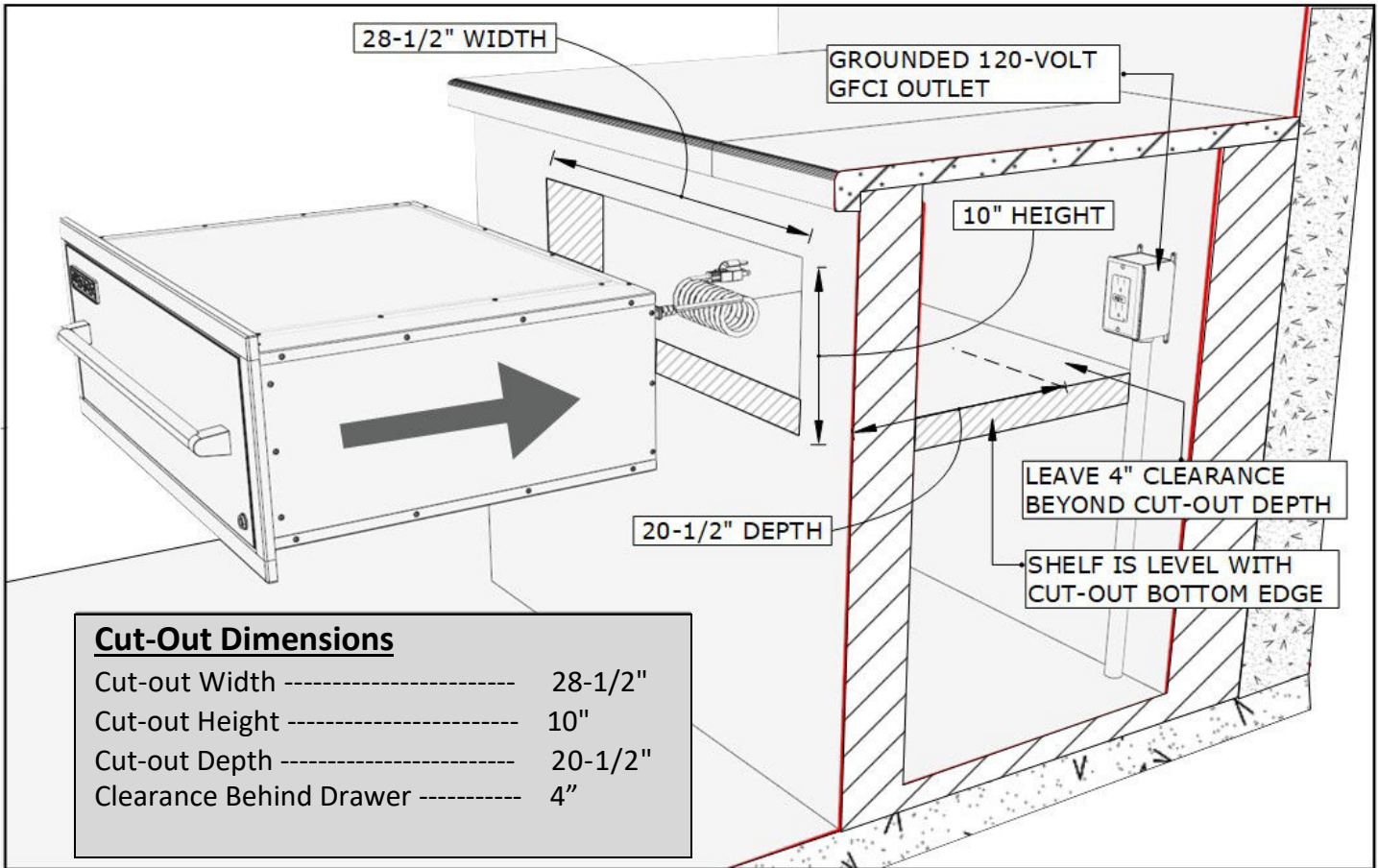
VOLTAGE: Use only extension cords approved for outdoor use marked with W-A and rated for the power of this appliance.

Product Dimensions



Technical Measurements

Product Dimensions	
Overall Width-----	30"
Overall Height-----	11 - 1/2 "
Overall Depth-----	21"



STEP BY STEP INSTRUCTIONS

1. Provide a 28-1/2" W x 10" H cutout to the front of the island wall.
2. Be sure you have min. 4" clearance beyond the cut-out depth of 20-1/2".
3. Provide support beams using metal studs to create a shelf for drawer to slide into island enclosure.
4. Drawer Leveling Legs are used if shelf is not level with cut-out bottom edge, or when stacking drawer with other components.
5. Insert Three-Prong Electrical Cord in back Right and plug-in the drawer to a weather proof, and properly grounded, electrical outlet.
6. Insert the warming drawer into the island cut-out opening.
7. Outdoor Kitchen Island construction must be made of non-combustible materials, check local building codes.



- 1. Proper Installation** – be sure your appliance is properly installed and grounded by a qualified technician.
- 2. Never Use Your Appliance for Warming or Heating the Room.**
- 3. Do Not Leave Children Alone** – Children should not be left alone or unattended in area where the appliance is in use. They should never be allowed to lean on or handle any part of the appliance.
- 4. Wear Proper Apparel** – Loose fitting or hanging garments should never be worn while using the appliance.
- 5. User Servicing** – Do not repair or replace any part of the appliance unless specifically recommended in the manual. While the homeowner may service the warming drawer, we recommend servicing should be performed by a qualified technician.
- 6. Storage in or on Appliance** – Flammable materials should not be stored near surface units.
- 7. Do Not Use Water on Grease Fires** – Smother fire or flame or use dry chemical or foam-type extinguisher.
- 8. Use Only Dry Potholders** – Moist or damp potholders on hot surfaces may result in burns from steam. Do not let potholder touch hot heating elements. Do not use a towel or bulky cloth.
- 9. Never Leave Surface Units Unattended at High Heat Settings** – Boil over causes smoking and greasy spillovers that may ignite.
- 10. Protective Liners** – Do not use aluminum foil to line surface unit drip bowls or oven bottoms. Improper installation of these liners may result in a risk of electric shock, or fire.
- 11. Glazed Cooking Utensils** – Only certain types of glass, glass/ceramic, ceramic, earthenware, or other glazed utensils are suitable for warming drawer without breaking due to the sudden change in temperature.
- 12. Do Not Stack Removable Heating Elements** – Heating elements should never be immersed in water.
- 13. Clean Warming Drawer with Caution** – If a wet sponge or cloth is used to wipe spills on a hot cooking area, be careful to avoid steam burn. Some cleaners can produce noxious fumes if applied to a hot surface.

1. Plug in the Power Cord. The RED active light will turn on for 3 seconds indicating power is ON. The screen will then Turn OFF.



2. Open Drawer to Access Digital Control Panel, Press and Hold the Power Button located at bottom end of the panel. This will turn the warming drawer on.

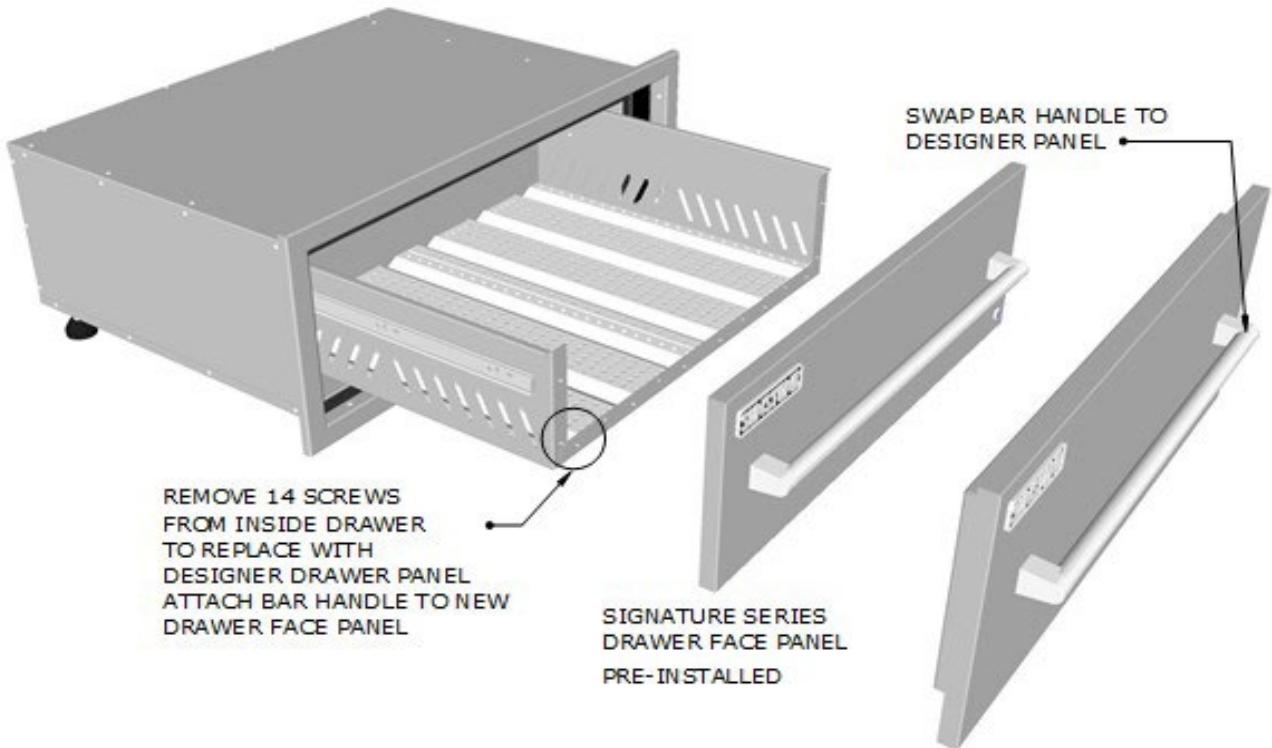


3. Press the Upward Facing Arrow to bring the Temperature to your desire level. Temperature ranges from 60 to 220 Degrees Fahrenheit.



4. Monitor Temperature reading as heat rises to your desired level. Press the Downward Facing Arrow to bring Temperature down. Press the Lower Circle to Turn the Warmer OFF.



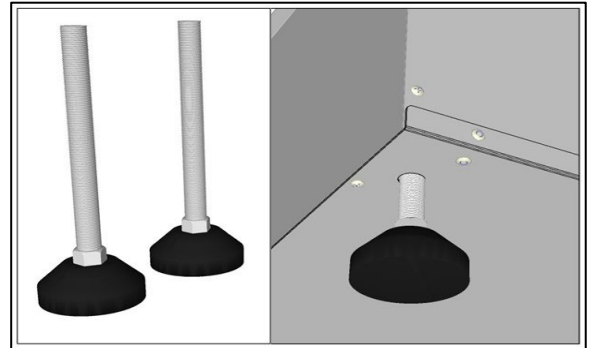


DESIGNER DRAWER FACE UPGRADE

1. Extend the Drawer all the way out, if you need greater access, lift and lower each side drawer track pin to remove the entire drawer, place on counter.
2. Remove existing bar handle, unscrew from behind drawer face.
3. Unscrew all 14 Screws located on the inside bottom panel rim, once these are removed drawer face will detach.
4. Align Designer Face Panel to Drawer Box, now fasten in all 14 screws tightly into position, securing new drawer face to drawer box.
5. Attach Bar Handle to Designer Face Panel.
6. If drawer was removed, extend drawer track all the way out from Warming Drawer Enclosure, with both hands gripping Drawer Box, align to extended tracks evenly sliding onto drawer track and pushing Drawer Box into Enclosure.
7. Check alignment by sliding drawer in, if tweaked slightly either the drawer track is not even, or the drawer face 14 screws need checked.

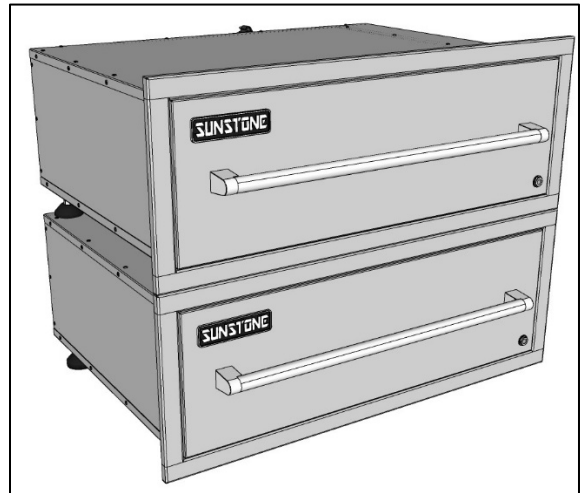
1. SCREW IN PEG-LEGS INTO BACK UNDERSIDE OF WARMING DRAWER

Peg-Legs are designed to allow perfect leveling of warming drawer, and enables drawer to be stacked in combination with other drawers or components.



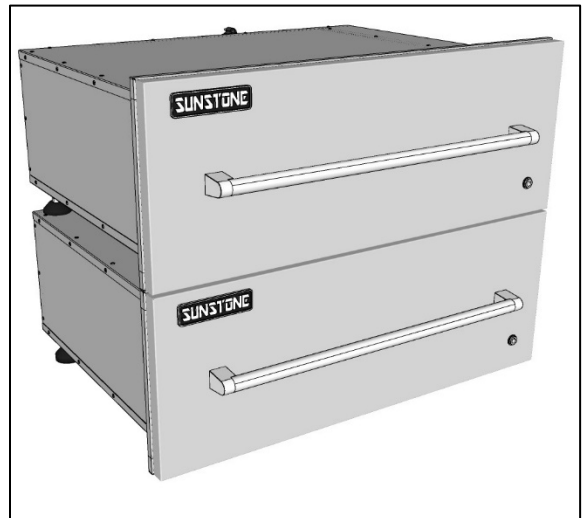
2. STACK INDIVIDUAL WARMING DRAWERS INTO MULTIPLE COMBINATIONS

The Peg-Legs act as a leveling and spacing device between two warming drawers stacked. The Front Lip of Frame is placed on top of one another. Measure the Height of Drawer Box Top to the lowest Drawer Box Base to provide you your Cut-out Height. Slide entire Drawer Assembly into Cut-Out of Island Wall.



3. WITH THE DESIGNER FACE UPGRADE, STACKED DRAWERS APPEAR AS SINGLE UNIT

Designer Drawer Face Panel now allows Warmer to configure with other Designer Series Components, blending perfectly. Stack Multiple Drawers or in combination with other 30" Drawer, 30" Drawer Combos or 30" Pantry Cabinets.



1. PLACE TWO DRAWERS INTO OUR DUAL-DRAWER CABINET – SAC34DWC

Warming Drawers can be placed into our Appliance Cabinet SAC34DWC which holds Two Drawers at once. The cabinet is all stainless steel with built-in venting and 1-Gang Boxes behind each Drawer. The cabinet can be configured with other Designer Cabinet Islands or on its own using the Corner Guards – SCC3SPR & SCC3SPL. Allowing the Cabinet to be Self-Rimming and slide into any island enclosure.



2. PLACE ONE DRAWER INTO OUR DRAWER COMBO CABINET – SAC34SWC

Warming Drawers can be placed into our Appliance Cabinet SAC34SWC which holds a Single Drawer but also with a Large Drawer below with another inside drawer having Condiment Bins. The cabinet is all stainless steel with built-in venting and 1-Gang Boxes behind the Drawer. The cabinet can be configured with other Designer Cabinet Islands or on its own using the Corner Guards – SCC3SPR & SCC3SPL. Allowing the Cabinet to be Self-Rimming and slide into any island enclosure.



Q. Warming Drawer does not operate.

A. Check the Power is ON. Verify the electrical power to warming drawer and home circuit breaker is on and functioning. Check the power cord in the back of warming drawer if it is tightly pressed in.

Q. Warming Drawer does not slide smoothly.

A. Check if drawer is out of Alignment, by fully extending the drawer and close completely to realign. The drawer may also be overloaded, try reducing the weight to less than 60 lb. (27 kg) and or redistribute the contents of the drawer so that is more balanced.

Q. Excessive Condensation.

A. Remove any liquid in the drawer pan, and cover food with a lid or aluminum foil, if temperature is too high, use the lower setting.

Q. Food dries out.

A. Cover your food with a lid or aluminum foil.



ATTENTION: The Warming Drawer must be installed according to the product manual. If your installation does not meet the Basic Setup Instructions **ALL WARRANTIES MAY BE VOID.**

SUNSTONE 30" ELECTRIC WARMING DRAWER WARRANTY

*****All Warranties Start from the Date of Purchase*****

LIMITED LIFETIME WARRANTY

Sunstone Exterior Drawer Housings (including liners, frames, and all exterior faces) are warranted for as long as you own your Sunstone Warming Drawer against all factory defects. This warranty does not cover against consumer usage wear and tear from using the drawer.

LIMITED ONE-YEAR WARRANTY

All other warming drawer components including, digital control, burner, thermometer, assemblies, springs, all electrical wire are warranted to be free from defects in material and workmanship for a period of one year from the original date of purchase.

LIMITATIONS & EXCLUSIONS

1. *SUNSTONE warranty applies only to the original purchaser and may not be transferred.*
2. *SUNSTONE warranty is in lieu of all other warranties expressed or implied and all other obligations or liabilities related to the sale or use of its grill products.*
3. *SUNSTONE warranty shall not apply, and SUNSTONE is not responsible for damage resulting from misuse, abuse, alteration of or tampering with the appliance, accident, hostile environment, improper installation, or installation not in accordance with the instructions contained in the User Manual, or the local codes.*
4. *SUNSTONE is not responsible for damage of component parts due to overheating or using in a way not in line with the product manual.*
5. *SUNSTONE shall not be liable for incidental, consequential, special or contingent damages resulting from its breach of this written warranty or any implied warranty.*
6. *Some states do not allow limitations on how long an implied warranty lasts, or the exclusions of or limitations on Consequential damages. This warranty gives you specific legal rights and you may have other rights, which vary from state to state.*
7. *No one has the authority to add to or vary SUNSTONE warranty, or to create for SUNSTONE any other obligation or liability in connection with the sale or use of its products.*

WHAT IS NOT COVERED. & INTERNET PURCHASE DISCLAIMER

1. SUNSTONE shall not be responsible for and shall not pay for the following Installation or start-up.
2. Service by an unauthorized service provider and the cost of a service tech of any warranted parts.
3. Damage or repair due to service by an unauthorized service provider or use of unauthorized parts.
4. Damage caused by accidents, abuse, alteration, misuse, installation that is not in accordance with the instructions contained in the User Manual, or local codes.
5. To correct normal adjustments or settings, due to improper installation, commissioning, or local electrical supply properties.
6. Shipping and handling costs, export duties, or installation cost.
7. The cost of service calls to diagnose trouble; or Removal or re-installation cost.

This warranty applies to the original purchaser with invoice or proof of purchase and covers Sunstone products intended for personal, family or household usage only. It does not apply to surface rust, corrosion, oxidation or discoloration, which may occur due to moisture or overheating, unless the affected component becomes inoperable. This warranty does not cover parts becoming defective by misuse, accidental damage, improper handling and/or installation. It does not cover labor or labor related charges. It specifically excludes liability for indirect, incidental or consequential damages. Some states do not allow the exclusion or limitation of incidental or consequential damages, so the above exclusion or limitation may not apply to you. This warranty gives you specified legal rights and you may have other rights which may vary from state to state.

For additional information regarding this warranty, or information on how to place a warranty claim, contact your authorized Sunstone dealer.