

DRAPER[®]

GB

230V

BISCUIT JOINTER

83611



CE

These instructions accompanying the product are the original instructions. This document is part of the product, keep it for the life of the product passing it on to any subsequent holder of the product. Read all these instructions before assembling, operating or maintaining this product.

This manual has been compiled by Draper Tools describing the purpose for which the product has been designed, and contains all the necessary information to ensure its correct and safe use. By following all the general safety instructions contained in this manual, it will ensure both product and operator safety, together with longer life of the product itself.

All photographs and drawings in this manual are supplied by Draper Tools to help illustrate the operation of the product.

Whilst every effort has been made to ensure the accuracy of information contained in this manual, the Draper Tools policy of continuous improvement determines the right to make modifications without prior warning.

1. TITLE PAGE

1.1 INTRODUCTION:

USER MANUAL FOR: 230V Biscuit Jointer

Stock No: 83611

Part No: PT8100D

1.2 REVISIONS:

Date first published February 2019.

As our user manuals are continually updated, users should make sure that they use the very latest version.

Downloads are available from: <http://drapertools.com/manuals>

Draper Tools Limited

Hursley Road

Chandler's Ford

Eastleigh

Hampshire

SO53 1YF

UK

Website: drapertools.com

Product help line: +44 (0) 23 8049 4344

General Fax: +44 (0) 23 8026 0784

1.3 UNDERSTANDING THIS MANUALS SAFETY CONTENT:

WARNING! – Information that draws attention to the risk of injury or death.

CAUTION! – Information that draws attention to the risk of damage to the product or surroundings.

1.4 COPYRIGHT © NOTICE:

Copyright © Draper Tools Limited.

Permission is granted to reproduce this publication for personal and educational use only. Commercial copying, redistribution, hiring or lending is prohibited.

No part of this publication may be stored in a retrieval system or transmitted in any other form or means without written permission from Draper Tools Limited.

In all cases this copyright notice must remain intact.

2. CONTENTS

1	TITLE PAGE	
1.1	INTRODUCTION	2
1.2	REVISION HISTORY	2
1.3	UNDERSTANDING THIS MANUAL	2
1.4	COPYRIGHT NOTICE.....	2
2	CONTENTS	
2.1	CONTENTS.....	3
3	WARRANTY	
3.1	WARRANTY.....	4
4	INTRODUCTION	
4.1	SCOPE	5
4.2	SPECIFICATION	5
4.3	HANDLING AND STORAGE	5
5	HEALTH AND SAFETY INFORMATION	
5.1	GENERAL SAFETY INSTRUCTIONS FOR POWER TOOL USE	6
5.2	ADDITIONAL SAFETY INSTRUCTIONS FOR BISCUIT JOINTERS.....	8
5.3	RESIDUAL RISK	9
5.4	CONNECTION TO THE POWER SUPPLY.....	10
6	TECHNICAL DESCRIPTION	
6.1	IDENTIFICATION	11
7	UNPACKING AND CHECKING	
7.1	PACKAGING	12
7.2	WHAT'S IN THE BOX.....	12
8	BASIC BISCUIT JOINTER OPERATIONS	
8.1	ON/OFF LOCKING SWITCH	13
8.2	BLADE DEPTH SELECTION	13
8.3	HEIGHT/ANGLE ADJUSTMENT	13
8.4	BLADE REPLACEMENT	14
8.5	CUTTING	14
8.6	DUST EXTRACTION.....	14
9	MAINTENANCE AND TROUBLESHOOTING	
9.1	SAWDUST.....	15
9.2	RECOMMENDED ACCESSORIES.....	15
9.3	PROHIBITED ACCESSORIES.....	15
9.4	CLEANING	15
9.5	TROUBLESHOOTING GUIDE	16
10	OPTIONAL ACCESSORIES	
10.1	OPTIONAL ACCESSORIES.....	17
11	DISPOSAL	
11.1	DISPOSAL.....	17
12	EXPLANATION OF SYMBOLS	
12.1	EXPLANATION OF SYMBOLS	18
	DECLARATION OF CONFORMITY	ENCLOSED

3. WARRANTY

3.1 WARRANTY

Draper tools have been carefully tested and inspected before shipment and are guaranteed to be free from defective materials and workmanship.

Should the tool develop a fault, please return the complete tool to your nearest distributor or contact:

Draper Tools Limited, Chandler's Ford, Eastleigh, Hampshire, SO53 1YF. England.

Telephone Sales Desk: (023) 8049 4333 or:

Product Helpline (023) 8049 4344.

A proof of purchase must be provided.

If upon inspection it is found that the fault occurring is due to defective materials or workmanship, repairs will be carried out free of charge. This warranty period covering labour is 12 months from the date of purchase except where tools are hired out when the warranty period is 90 days from the date of purchase. The warranty is extended to 24 months from the date of purchase for parts only. This warranty does not apply to any consumable parts, any type of battery or normal wear and tear, nor does it cover any damage caused by misuse, careless or unsafe handling, alterations, accidents, or repairs attempted or made by any personnel other than the authorised Draper warranty repair agent.

Note: If the tool is found not to be within the terms of warranty, repairs and carriage charges will be quoted and made accordingly.

This warranty applies in lieu of any other warranty expressed or implied and variations of its terms are not authorised.

Your Draper warranty is not effective unless you can produce upon request a dated receipt or invoice to verify your proof of purchase within the warranty period.

Please note that this warranty is an additional benefit and does not affect your statutory rights.

Draper Tools Limited.

4. INTRODUCTION

4.1 SCOPE

Professional style wood jointing for creating solid joints in soft & hard wood, ply board, MDF & most processed timbers. As part of our core range, this product is suitable for enthusiasts and tradespeople alike. Any other application other than what it was intended for is considered misuse.

4.2 SPECIFICATION

Stock No. 83611

Part No. PT8100D

Motor:

Rated voltage 230V~

Rated frequency 50Hz

Rated input 900W

Revolutions per minute (no load) 11,000min⁻¹

Blade:

Diameter 100mm

Bore 22mm

Thickness 4.0mm

Teeth 6

Cutting depth 0-20mm

Angle adjustment 0-90°

Sound pressure level 87dB(A)

Sound power level 98dB(A)

Vibration level 2.7m/s²

Weight (machine only) 3.2kg

* *Continuous A-Weighted Sound Pressure Level at the workstation in accordance to and declared according to EN60745.*

** *The typical A-weighted noise level determined according to EN60745.*

† *When sawing in wood.*

4.3 HANDLING AND STORAGE

- Care must be taken when handling this product.
 - Dropping this power tool could have an effect on its accuracy and could also result in personal injury. This product is not a toy and must be respected.
- Environmental conditions can have a detrimental effect on this product if neglected.
 - Exposure to damp air can gradually corrode components.
 - If the product is unprotected from dust and debris, components will become clogged.
 - If not cleaned and maintained correctly or regularly, the machine will not perform at its best.

5. HEALTH AND SAFETY INFORMATION

5.1 GENERAL SAFETY INSTRUCTIONS FOR POWER TOOL USE

When using any type of power tool there are steps that should be taken to make sure that you, as the user, remain safe.

Common sense and a respect for the tool will help reduce the risk of injury.

Read the instruction manual fully. Do not attempt any operation until you have read and understood this manual.

Most important you must know how to safely start and stop this machine, especially in an emergency.

Keep the work area tidy and clean. Attempting to clear clutter from around the machine during use will reduce your concentration. Mess on the floor creates a trip hazard. Any liquid spilt on the floor could result in you slipping.

Find a suitable location. If the machine is bench mounted, the location should provide good natural light or artificial lighting as a replacement. Avoid damp and dust locations as it will have a negative effect on the machine's performance. If the machine is portable do not expose the tool to rain. In all cases do not operate power tools near any flammable materials.

Keep bystanders away. Children, onlookers and passers by must be restricted from entering the work area for their own protection. The barrier must extend a suitable distance from the tool user.

Unplug and house all power tools that are not in use. A power tool should never be left unattended while connected to the power supply. They must be housed in a suitable location, away locked up and from children. This includes battery chargers.

Do not overload or misuse the tool. All tools are designed for a purpose and are limited to what they are capable of doing. Do not attempt to use a power tool (or adapt it in any way) for an application it is not designed for. Select a tool appropriate for the size of the job. Overloading a tool will result in tool failure and user injury. This covers the use of accessories.

Dress properly. Loose clothing, long hair and jewellery are all dangerous because they can become entangled in moving machinery. This can also result in parts of body being pulled into the machine. Clothing should be close fitted, with any long hair tied back and jewellery and neck ties removed. Footwear must be fully enclosed and have a non-slip sole.

Wear personal protective equipment (PPE). Dust, noise, vibration and swarf can all be dangerous if not suitably protected against. If the work involving the power tool creates dust or fumes wear a dust mask. Vibration to the hand, caused by operating some tools for longer periods must be protected against. Wear vibration reducing gloves and allow long breaks between uses. Protect against dust and swarf by wearing approved safety goggles or a face shield. These are some of the more common hazards and preventions, however, always find out what hazards are associated with the machine/work process and wear the most suitable protective equipment available.

Do not breathe contaminated air. If the work creates dust or fumes connect the machine (if possible) to an extraction system either locally or remotely. Working outdoors can also help if possible.

Move the machine as instructed. If the machine is hand held, do not carry it by the power supply cable. If the product is heavy, employ a second or third person to help move it safely or use a mechanical device. Always refer to the instructions for the correct method.

Do not overreach. Extending your body too far can result in a loss of balance and you falling. This could be from a height or onto a machine and will result in injury.

Maintain your tools correctly. A well maintained tool will do the job safely. Replace any damaged or missing parts immediately with original parts from the manufacturer. As applicable, keep blades sharp, moving parts clean, oiled or greased, handles clean, and emergency devices working.

Wait for the machine to stop. Unless the machine is fitted with a safety brake, some parts may continue to move due to momentum. Wait for all parts to stop, then unplug it from the power supply before making any adjustments, carrying out maintenance operations or just finishing using the tool.

5. HEALTH AND SAFETY INFORMATION

Remove and check setting tools. Some machinery requires the use of additional tools or keys to set, load or adjust the power tool. Before starting the power tool always check to make certain they have been removed and are safely away from the machine.

Prevent unintentional starting. Before plugging any machine in to the power supply, make sure the switch is in the OFF position. If the machine is portable, do not hold the machine near the switch and take care when putting the machine down, that nothing can operate the switch.

Carefully select an extension lead. Some machines are not suitable for use with extension leads. If the tool is designed for use outdoors, use an extension lead also suitable for that environment. When using an extended lead, select one capable of handling the current (amps) drawn by the machine in use. Fully extend the lead regardless of the distance between the power supply and the tool. Excess current (amps) and a coiled extension lead will both cause the cable to heat up and can result in fire.

Concentrate and stay alert. Distractions are likely to cause an accident. Never operate a power tool if you are under the influence of drugs (prescription or otherwise), including alcohol or if you are feeling tired. Being disorientated will result in an accident.

Have this tool repaired by a qualified person. This tool is designed to conform to the relevant international and local standards and as such should be maintained and repaired by someone qualified, using only original parts supplied by the manufacturer. This will ensure the tool remains safe to use.

5. HEALTH AND SAFETY INFORMATION

5.2 ADDITIONAL SAFETY INSTRUCTIONS FOR BISCUIT JOINTERS

Safe Working Practice

Blades must be rated for at least the speed marked on the tool. Blades running over rated speed can come apart and cause injury.

Always use the guard. The guard is there to protect the operator from broken blade fragments and unintentional contact with the blade.

Hold power tool by insulated gripping surfaces, because the blade could contact its own cord. Cutting a "live" wire may make exposed metal parts of the power tool "live" and could give the operator an electric shock.

Use only the blades specified for this tool.

Never operate the tool with the blade locked in exposed position or without the blade cover properly in place.

Make sure that the blade and guard slide smoothly before operation.

Check the blades carefully for cracks or damage before operation. Damaged or blunt blades must be replaced immediately.

Inspect for and remove all nails or foreign matter from the workpieces before operation.

Always place the workpieces on a stable workbench.

Secure the workpieces firmly with clamp or vice.

Hold the tool firmly with both hands.

Keep your hands and body away from the grooving area.

Run the tool for a while without the blade pointing toward anybody. Watch for vibration or wobbling that could indicate poor installation or a poorly balanced blade.

Do not leave the tool running unattended.

Always be sure that the tool is switched off and unplugged before making any adjustments or replacing the blade.

If you wear gloves, use tight fitting gloves. Loose fitting gloves can get caught in rotating parts of machinery and cause severe injury.

Do not use the tool with damaged guards.

5. HEALTH AND SAFETY INFORMATION

5.3 RESIDUAL RISK

Important note: Although the safety instructions and operating manuals for our tools contain extensive instructions of safe working with power tools, every power tool involves a certain residual risk which can not be completely excluded by safety mechanisms. Power tools must therefore always be operated with caution!

5. HEALTH AND SAFETY INFORMATION

5.4 CONNECTION TO THE POWER SUPPLY

Caution: Risk of electric shock. Do not open.

This appliance is supplied with a moulded 3 pin mains plug for your safety. The value of the fuse fitted is marked on the pin face of the plug. Should the fuse need replacing, ensure the substitute is of the correct rating, approved to BS1362 and ASTA or BSI Kite marked.

ASTA 

BSI 

The fuse cover is removable with a small plain slot screwdriver. Ensure the fuse cover is replaced before attempting to connect the plug to an electrical outlet. If the cover is missing, a replacement must be obtained or the plug replaced with a suitable type.


If a replacement plug is to be fitted this must be carried out by a qualified electrician.

The damaged or incomplete plug, when cut from the cable should be disabled to prevent connection to a live electrical outlet.

This appliance is Class II[†] and is designed for connection to a power supply matching that detailed on the rating label and compatible with the plug fitted.

If an extension lead is required, use an approved and compatible lead rated for this appliance.

Follow all the instructions supplied with the extension lead.

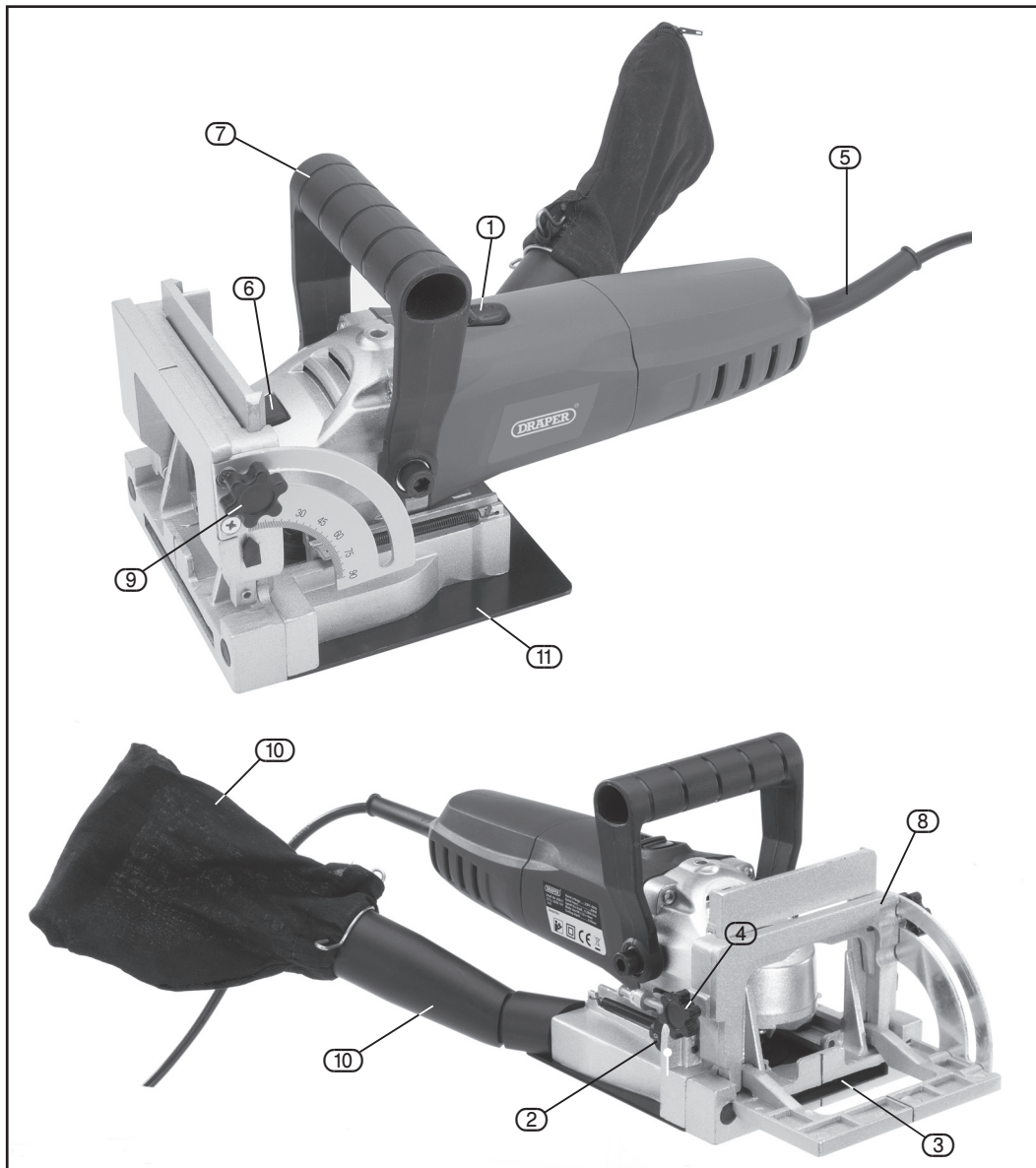
[†]*Double insulated* : *This product requires no earth connection as supplementary insulation is applied to the basic insulation to protect against electric shock in the event of failure of the basic insulation.*

IMPORTANT

If using an extension lead, follow the instructions that came with your lead regarding maximum load while cable is wound. If in doubt, ensure that the entire cable is unwound. Using a coiled extension lead will generate heat which could melt the lead and cause a fire.

6. TECHNICAL DESCRIPTION

6.1 IDENTIFICATION



- ① On/off switch.
- ② Depth selector.
- ③ Blade, inner and outer flanges (Fitted).
- ④ Height locking knob.
- ⑤ Plug and cable.
- ⑥ Spindle lock.

- ⑦ Auxiliary handle.
- ⑧ Front rest.
- ⑨ Angle locking knob.
- ⑩ Dust collection bag and dust extraction chute.
- ⑪ Blade cover plate.

7. UNPACKING AND CHECKING

7.1 PACKAGING

Carefully remove the product from the packaging and examine it for any sign of damage that may have happened during shipping. Lay the contents out and check them against the parts shown below. If any part is damaged or missing; please contact the Draper Help Line (the telephone number appears on the Title page) and do not attempt to use the product.

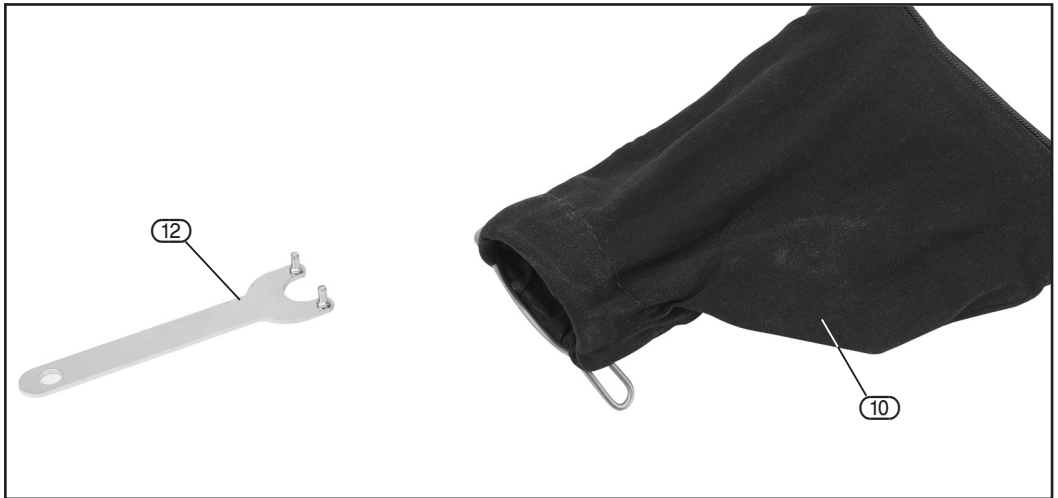
The packaging material should be retained at least during the guarantee period: in case the machine needs to be returned for repair.

Warning! Some of the packaging materials used may be harmful to children. Do not leave any of these materials in the reach of children.

If any of the packaging is to be thrown away, make sure they are disposed of correctly; according to local regulations.

7.2 WHAT'S IN THE BOX

As well as the biscuit jointer, there are several parts not fitted or attached to it.



⑩ Dust collection bag

⑫ Pin spanner

8. BASIC BISCUIT JOINER OPERATIONS

IMPORTANT: Make sure that the mains voltage matches the voltage stated on the machines rating plate.

Note: Remove the plug from the socket before carrying out adjustment, servicing or maintenance.

8.1 ON/OFF LOCKING SWITCH – FIG. 1

To switch the biscuit joiner "ON" push the switch button ① towards the front of the machine.

Pushing it all the way forward will cause the button to lock in place, for extended use.

To release the switch, press the back half of the button in towards the machine body.

The switch will disengage and spring back to the "OFF" position.

NOTE: Before plugging the Biscuit Joiner in, ensure the switch is NOT locked in the "ON" position.

8.2 BLADE DEPTH SELECTION – FIG. 2

The biscuit joiner has three depth settings which are selectable using knob ② and indicated by arrow ②.1).

The three standard settings correspond to the three standard sizes of biscuits available:

0 = No.0 Biscuits.

10 = No.10 Biscuits.

20 = No.20 Biscuits.

NOTE: This biscuit joiner has a fourth setting (M).

This depth is the maximum depth capacity of the machine and is only possible with a new blade fitted and backing out the fine adjustment screw. This setting will not be necessary for most biscuit jointing operations and it is recommended that the operator use only the 0, 10, 20 settings.

8.3 HEIGHT/ANGLE ADJUSTMENT – FIG. 3

The position and angle of the biscuit can be set up using the guide.

Loosen knob ④ and slide front rest ⑧ up or down to adjust the height. Lock with knob ④.

The angle is also adjustable by loosening lever ⑨.

Tilt the front rest ⑧. Use the guide scale to indicate the angle between 0-90°. When set, lock knob ⑨.

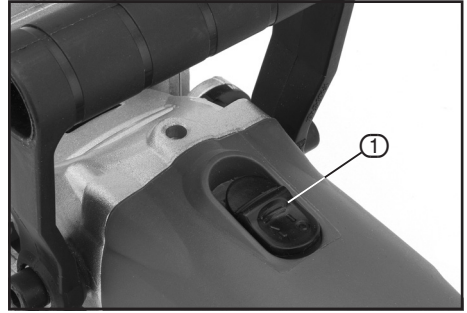


FIG.1

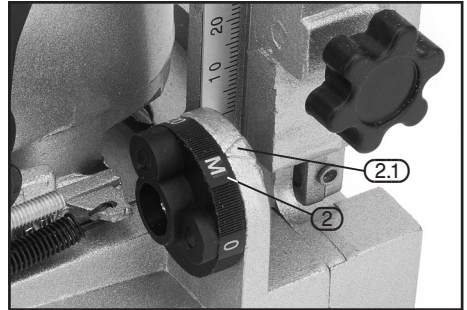


FIG.2

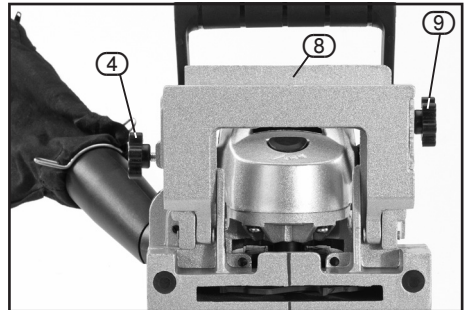


FIG.3

8. BASIC BISCUIT JOINTER OPERATIONS

Note: Remove the plug from the socket before carrying out adjustment, servicing or maintenance.

8.4 BLADE REPLACEMENT – FIGS. 4 -5

Remove the blade height/angle adjustment by loosening knob (4) and sliding mechanism upwards until free of the tool.

Remove the four screws (11.2) and cover plate (11). Push and hold the spindle lock button and then turn tool over to access the underside.

Loosen and remove the blade flange using the pin spanner (12) provided.

Carefully pass the blade out through the exposed base taking care to avoid personal injury on the sharp edges.

Ensure the lower blade flange has located correctly on the arbor by making sure the flats on both shaft and flange are positively engaged.

Install new blade on arbor ensuring the direction of rotation arrow matches with the arrow underneath (the blade rotates clockwise when viewed from above the tool).

Tighten blade flange using the spindle lock button and pin spanner, when tight reinstall cover plate and four screws.

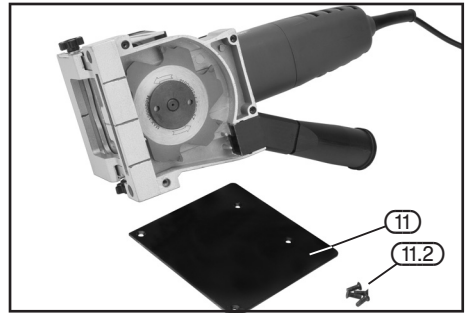


FIG.5

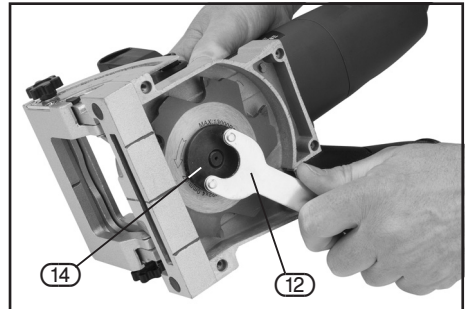


FIG.6

8.5 CUTTING – FIG. 6

When the setup has been completed, position the jointer up to the workpiece. For reference there are two marks on the front cover plate which indicates the horizontal centre of the blade (3), and vertical centre of the blade (3.5). When aligned and the biscuit size is set, switch on the machine and make the cut.

Switch off after use.

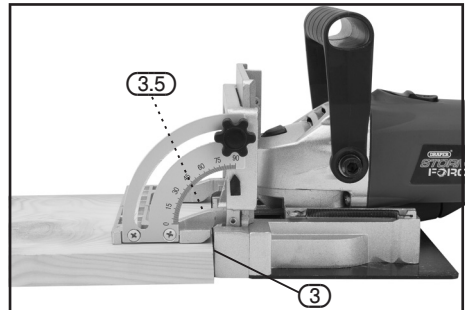


FIG.7

8.6 DUST EXTRACTION – FIG. 7

The biscuit jointer is equipped with a dust bag for reducing the amount of airborne dust, the bag can be removed and an extractor connected using a stepped powertool adaptor for better dust extraction. A suitable dust mask should always be worn.



FIG.8

9. MAINTENANCE AND TROUBLESHOOTING

Regular inspection and cleaning reduces the necessity for maintenance operations and will keep your tool in good working condition.

The motor must be correctly ventilated during tool operation. For this reason avoid blocking the air inlets. After use disconnect the tool from the power supply and vacuum the ventilation slots.

If the replacement of the supply cord is necessary, this has to be done by the manufacturer or his agent in order to avoid a safety hazard.

Always unplug the power cable before any maintenance check on this saw.

Danger! Never put lubricants on the blade whilst it is spinning.

Warning! To avoid injury from unexpected starting or electrical shock, unplug the power cable before working on the saw.

Warning! For your safety, this saw is double insulated. To avoid electrical shock, fire or injury, use only parts identical to those identified in the parts list, reassemble exactly as original assembly to avoid electrical hazards.

Caution! DO NOT use solvents on the product. They could make the plastic 'cloudy' and brittle.

Warning! When cleaning, unplug the saw from the outlet to avoid unexpected start-up or electrical shock.

9.1 SAWDUST

Periodically, sawdust will accumulate under the blade, base and around the switch mechanisms. This could cause difficulty in the movement of the blade when setting up cutting operations. Frequently vacuum up the sawdust.

9.2 RECOMMENDED ACCESSORIES

Warning! To avoid injury from unsafe accessories, use only Draper accessories.

9.3 PROHIBITED ACCESSORIES

The use of any cutting tool except saw blades which meet the requirement under recommended accessories is prohibited. Ferrous and non-ferrous metal cutting and the use of abrasive wheels are prohibited.

9.4 CLEANING

After use, wipe off chips and dust adhering to the tool with a cloth or the like. Lubricate the sliding portions with machine oil to prevent rust.

To maintain product SAFETY and RELIABILITY, repairs and, any other maintenance or adjustment should be performed by your nearest authorised service centre.

9. MAINTENANCE AND TROUBLESHOOTING

9.5 TROUBLESHOOTING GUIDE

Note: Remove the plug from the socket before carrying out adjustment, servicing or maintenance.

Problem	Possible Cause	Remedy
Motor does not start.	<ol style="list-style-type: none">1. Fuse.2. Brushes worn.3. Other.	<ol style="list-style-type: none">1. Replace the fuse.2. Have brushes replaced by an authorised service agent.3. Contact an authorised service agent.
Sliding action stiff or binding.	<ol style="list-style-type: none">1. Build up of sawdust	<ol style="list-style-type: none">1. Vacuum up sawdust and lubricate mechanism.
Poor cutting performance.	<ol style="list-style-type: none">1. Saw blade blunt.2. Saw blade incorrectly mounted.3. Incorrect saw blade selection.	<ol style="list-style-type: none">1. Stop machine immediately. Replace saw blade.2. Stop machine immediately. Remove and refit saw blade as per instructions.3. Seek advice on suitable saw blades.
Saw vibrates	<ol style="list-style-type: none">1. Saw blade distorted.2. Saw blade incorrectly mounted.	<ol style="list-style-type: none">1. Stop machine immediately and replace blade.2. Stop machine immediately. Remove and refit saw blade as per instructions.

10. OPTIONAL ACCESSORIES

10.1 OPTIONAL ACCESSORIES

A full range of accessories are available from Draper Tools.

Please visit our website for details: www.drapertools.com

11. DISPOSAL

11.1 DISPOSAL

- At the end of the machine's working life, or when it can no longer be repaired, ensure that it is disposed of according to national regulations.
- Contact your local authority for details of collection schemes in your area.

In all circumstances:

- Do not dispose of power tools with domestic waste.
- Do not incinerate.
- Do not dispose of WEEE* as unsorted municipal waste.



* *Waste Electrical & Electronic Equipment.*

12. EXPLANATION OF SYMBOLS

12.1 EXPLANATION OF SYMBOLS



Read the instruction manual.



Wear face mask and safety glasses.



Do not abandon into the environment.



Keep out of the reach of children.



Warning!



Class II construction
(Double insulated).



WEEE –
Waste Electrical &
Electronic Equipment.
*Do not dispose of Waste Electrical
& Electronic Equipment in with
domestic rubbish.*

CONTACTS

Draper Tools Limited, Hursley Road,
Chandler's Ford, Eastleigh, Hampshire. SO53 1YF. U.K.

Help line: (023) 8049 4344

Sales Desk: (023) 8049 4333

Internet: drapertools.com

E-mail: sales@drapertools.com

General Enquiries: (023) 8026 6355

Service/Warranty Repair Agent:

For aftersales servicing or warranty repairs, please contact the
Draper Tools Help line for details of an agent in your local area.

YOUR DRAPER STOCKIST

TATL0219

©Published by Draper Tools Limited.

No part of this publication may be reproduced, stored in a retrieval system or transmitted in any form or by any means, electronic, mechanical photocopying, recording or otherwise without prior permission in writing from Draper Tools Ltd.