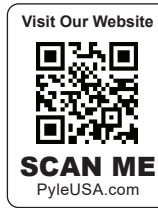


**PYLE**<sup>®</sup>  
PyleUSA.com



**Questions or Comments?**  
We are here to help!  
Phone: 1.718.535.1800  
PyleUSA.com/ContactUs



**PYLE**<sup>®</sup>  
PyleUSA.com



***PLUTV40BTA***  
**4" Waterproof Rated Off-Road  
Wireless BT Streaming Speakers**

***USER GUIDE***



**READ ALL INSTRUCTIONS CAREFULLY BEFORE USING THIS PRODUCT.  
RETAIN THIS OWNER'S MANUAL FOR FUTURE REFERENCE.**

**Features:**

- Pro Audio PowerSport Speakers
- Amplified (Active + Passive) Speaker System
- Bluetooth Wireless Music Streaming Ability
- Marine Grade Waterproof Rated Construction
- Weatherproof & Water-Resistant Housing
- 2-Way Full Range Stereo Sound Reproduction
- Built-in Digital Sound Processing Amplifier
- Compact Size & High-Powered Output
- Impressive Bass Response
- Integrated Power & Wiring Harness
- Aux (3.5mm) Input Jack
- Connect & Stream Audio from External Devices
- Sleek Design, Machine Molded Speaker Cabinet Housing)
- Rugged, Universal Mount Bracket Design for Roll-Bar / Roll-Cage
- Built-Into Amplifier of Main / Active Speaker
- Used for Off-Road Outdoor Vehicles: ATV, UTV, 4x4, Jeeps, Marine Watercraft
- \*Bluetooth Receiver Module

**Bluetooth Wireless Streaming:**

- Simple & Hassle-Free Pairing
- Instant Wireless Audio Streaming Ability
- Works with All of Today's Latest Devices Smartphones, Tablets, Laptops, etc.
- Bluetooth Version: V5.0
- Bluetooth Network Name:'PyleUSA'
- Wireless Range: 30+ ft.

**WHAT'S IN THE BOX:**

- (1) Active Off-Road Speaker
- (1) Passive Off-Road Speaker
- (1) 2.5M Speaker Wire Between Active and Passive Speakers
- (1) 3.5mm Stereo Cable
- (6) Rubber Pads 4.53" x 1.18" x 0.12" -inches

**Technical Specs:**

- Speaker Power: 900 Watt MAX
- Amp Power: 2 x 450 Watt MAX @ 4 Ohms (2 x 225 Watt RMS)
- Power Supply: DC 12V
- Amp Type: 2-Channel, Class D
- Bridged Sound System: (2) x 4.0" Woofers + (2) x 1" Tweeters
- Marine Grade Waterproof Rating: IP-X5
- Speaker Type: Polypropylene Cone, Butyl Rubber Surround (x2)
- Tweeter Type: Neodymium Dome (x2)
- Frequency Response: 105Hz-20kHz
- Impedance: 4 Ohm
- Magnet Type: 30 oz. Circuit
- Mid-Woofer Voice Coil Type: 1.0", KSV
- Sensitivity: 90 dB +/- 2 dB @ 1M/1W
- Anti-Thump Turn-On
- Soft Turn On/Off
- T.H.D: <0.05%
- S/N Ratio: >70dB
- Channel Separation: >65dB
- Amp Freq. Response: 20Hz- 30kHz
- Fuse: 1 x 15A
- Universal Mounting Brackets Roll-Bar / Roll-Cage Diameter: 1.5" ~ 2.0" -inches
- Speaker Dimensions (L x W x H): 5.5" x 8.0" x 7.4" -inches, with Bracket (Each)

**California Prop 65 Warning**

**⚠️WARNING:**

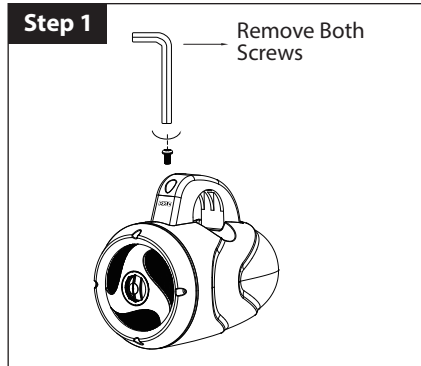
This product contains Di (2-ethylhexyl) phthalate (DEHP) which is known to the state of California to cause cancer birth defects and other reproductive harm. Do not ingest.

For more info go to: [www.P65warnings.ca.gov](http://www.P65warnings.ca.gov)

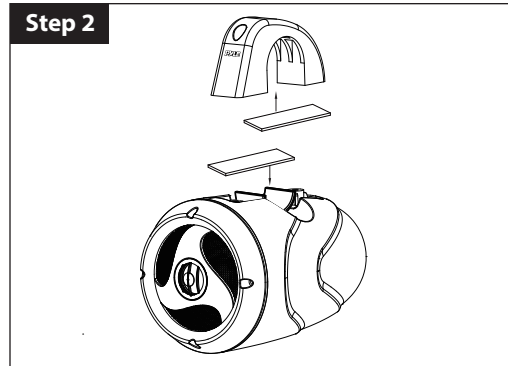
## INSTALLATION

### Please Note:

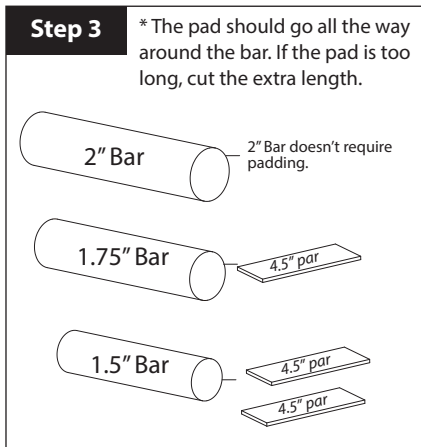
The instructions below refer to the most common bar sizes: 1.5", 1.75", and 2". However, using the supplied rubber pads will allow you to mount these speakers on any bar size measured between 1.5" and 2".



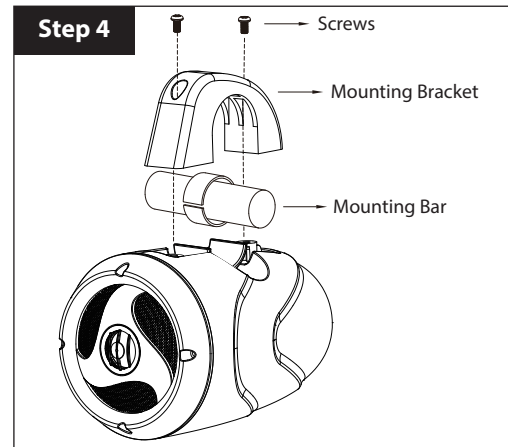
Remove the two screws from the bracket to separate the speaker pod and the bracket.



The rubber pads will need to be cut to the appropriate length so they fit the speaker pod and the bracket. After cutting the rubber pads, remove the white protective layer and stick them to the speaker pod and the bracket.



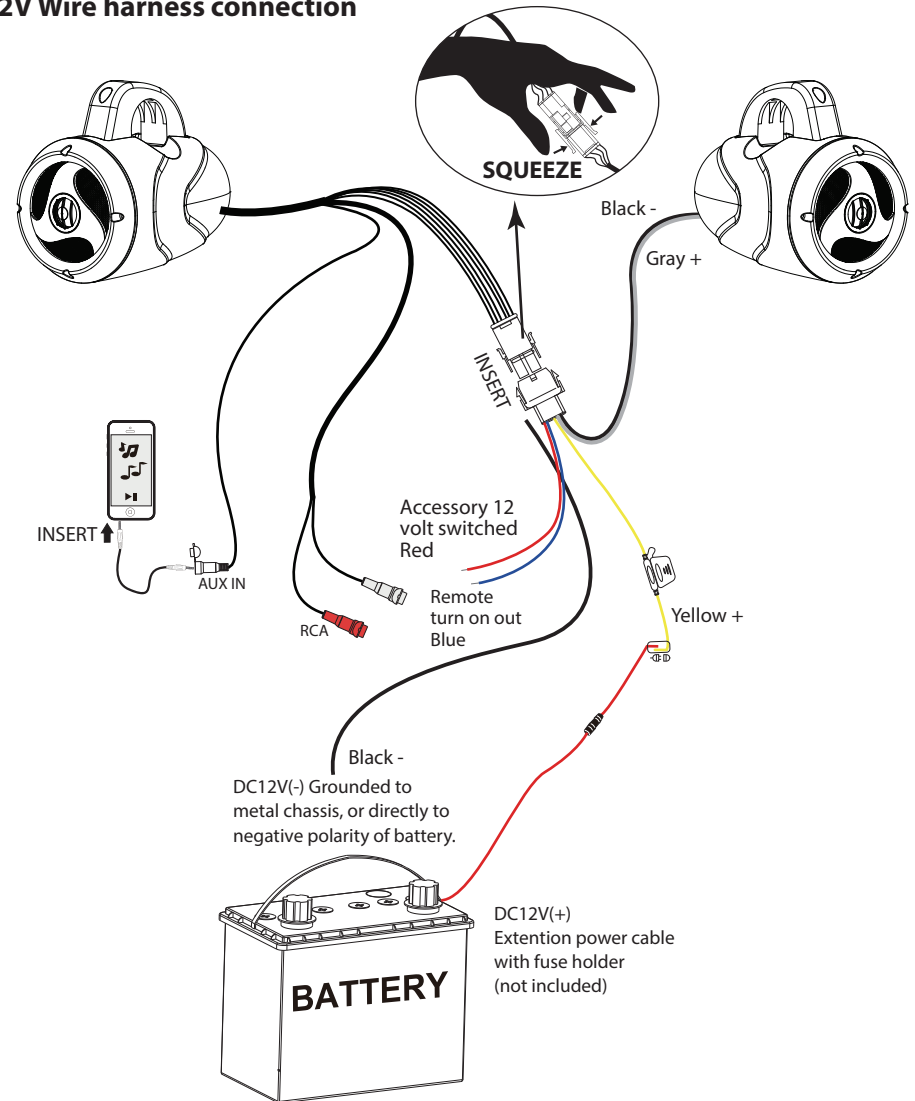
Remove the backing from the pad and wrap it around the bar.



Screw the two screws evenly until snug. Once the position is verified, tighten the screws another half-turn. **DO NOT OVERTIGHTEN!**

## WIRE DIAGRAM

### 12V Wire harness connection



### Register Product

Thank you for choosing PyleUSA. By registering your product, you ensure that you receive the full benefits of our exclusive warranty and personalized customer support. Complete the form to access expert support and to keep your PyleUSA purchase in perfect condition.

### Start Here



[PyleUSA.com/pages/register](https://www.pyleusa.com/pages/register)