

# **VEVOR<sup>®</sup>**

## **TOUGH TOOLS, HALF PRICE**

Technical Support and E-Warranty Certificate [www.vevor.com/support](http://www.vevor.com/support)

### **CHICKEN NEST BOX**

**MODEL: EB-008**

We continue to be committed to provide you tools with competitive price.

"Save Half", "Half Price" or any other similar expressions used by us only represents an estimate of savings you might benefit from buying certain tools with us compared to the major top brands and does not necessarily mean to cover all categories of tools offered by us. You are kindly reminded to verify carefully when you are placing an order with us if you are actually saving half in comparison with the top major brands.

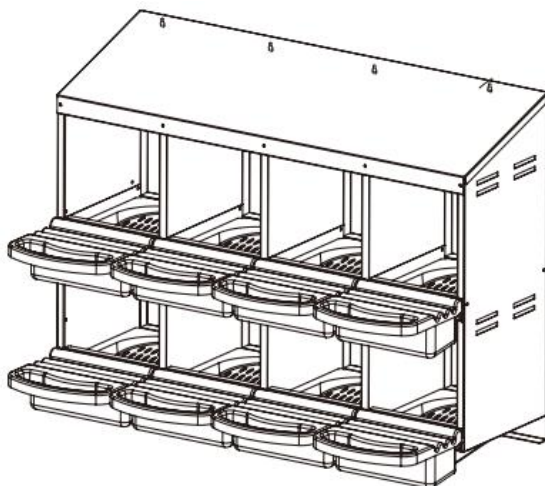


# VEVOR<sup>®</sup>

TOUGH TOOLS, HALF PRICE

## CHICKEN NEST BOX

**MODEL: EB-008**



### **NEED HELP? CONTACT US!**

Have product questions? Need technical support? Please feel free to contact us:

**Technical Support and E-Warranty Certificate**  
**[www.vevor.com/support](http://www.vevor.com/support)**

This is the original instruction, please read all manual instructions carefully before operating. VEVOR reserves a clear interpretation of our user manual. The appearance of the product shall be subject to the product you received. Please forgive us that we won't inform you again if there are any technology or software updates on our product.



Warning-To reduce the risk of injury, user must read instructions manual carefully.

## WARNING & PRECAUTIONS

### WARNING:

1. Wear protective gloves when using tools to install fixed signposts, or use two people to assist with the installation.
2. When using, please read this manual first, and it is recommended to keep it well for subsequent use to view.

## PRODUCT DESCRIPTION

<b>Model</b>	EB-008
<b>Color</b>	Red & Black
<b>Material</b>	Zinc-coated Steel & PP
<b>Number of compartments</b>	8 compartments
<b>Product size</b>	1060*525*800mm
<b>Packing size</b>	1185*435*290mm

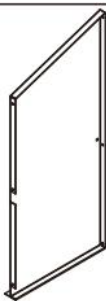
## PART LIST



① x1



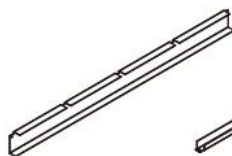
② x1



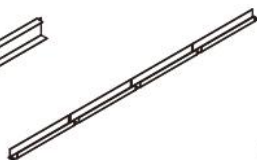
③ x3



④ x1



⑤ x1



⑥ x2



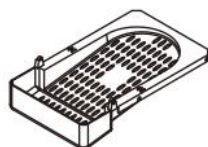
⑦ x1



⑧ x8



⑨ x8



⑩ x8



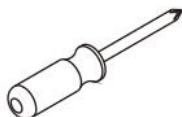
M1x40



M2x40



Ax4



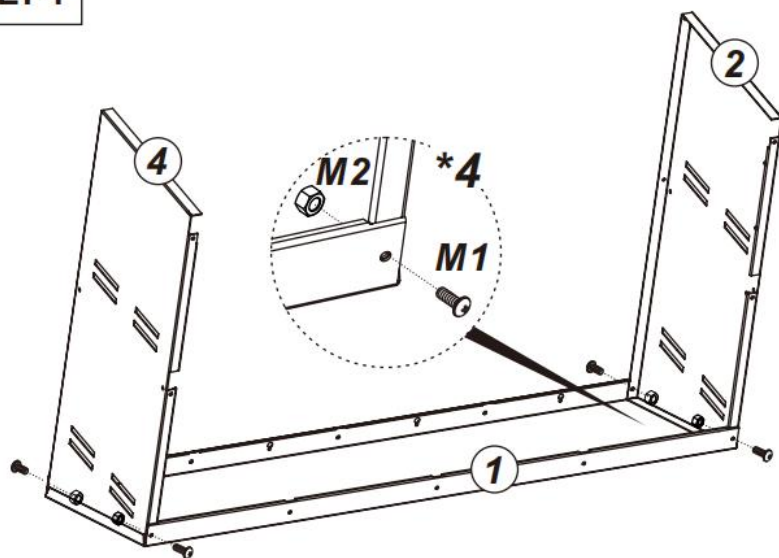
Bx1



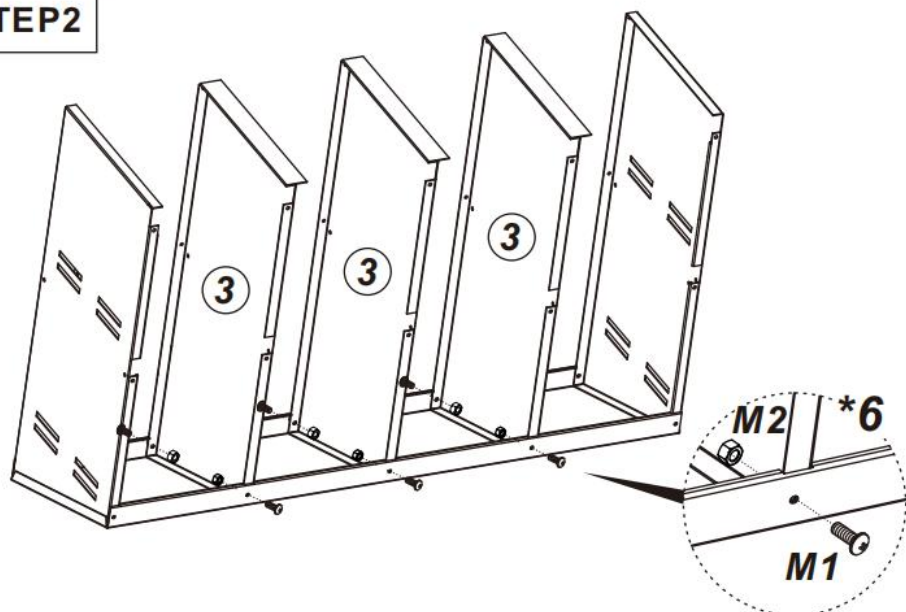
Cx1

# ASSEMBLY GUIDE

## STEP 1

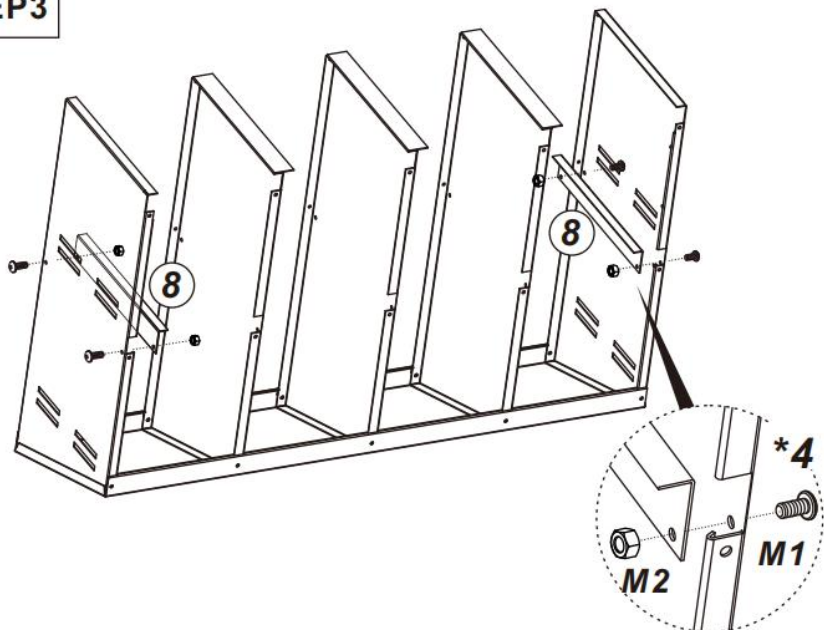


## STEP 2

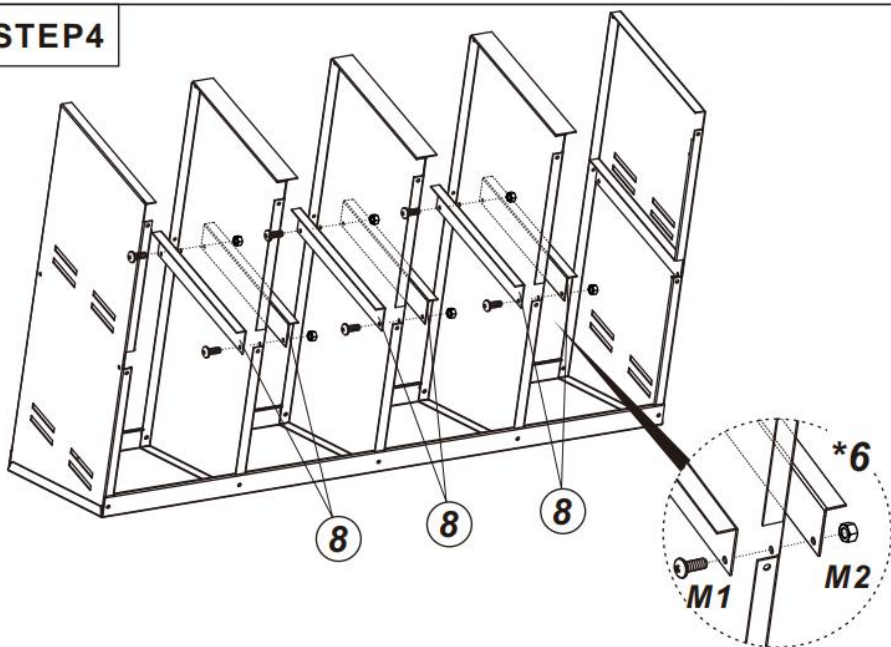


# ASSEMBLY GUIDE

## STEP 3

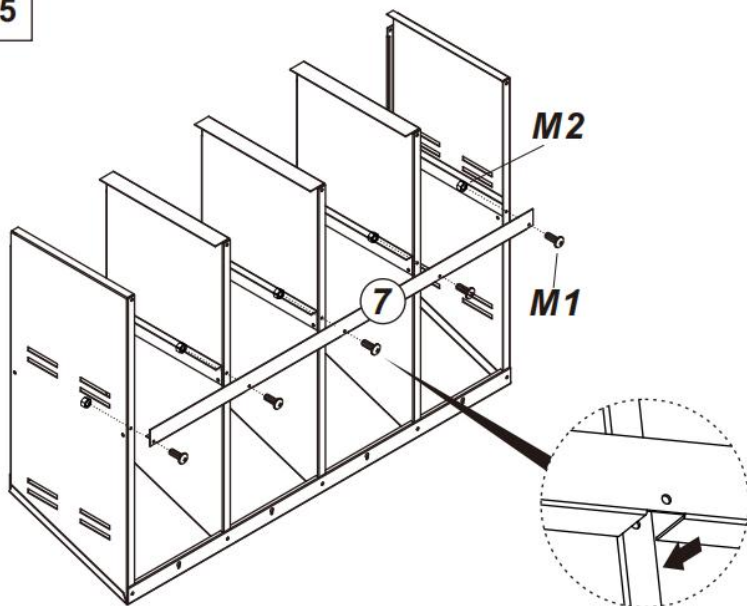


## STEP 4

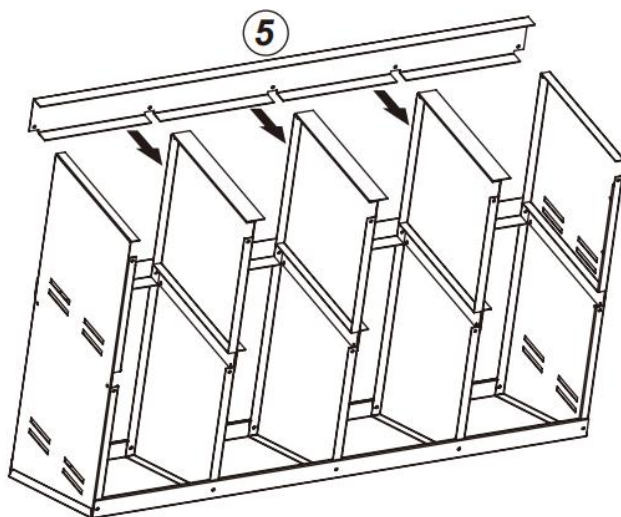


## ASSEMBLY GUIDE

### STEP 5

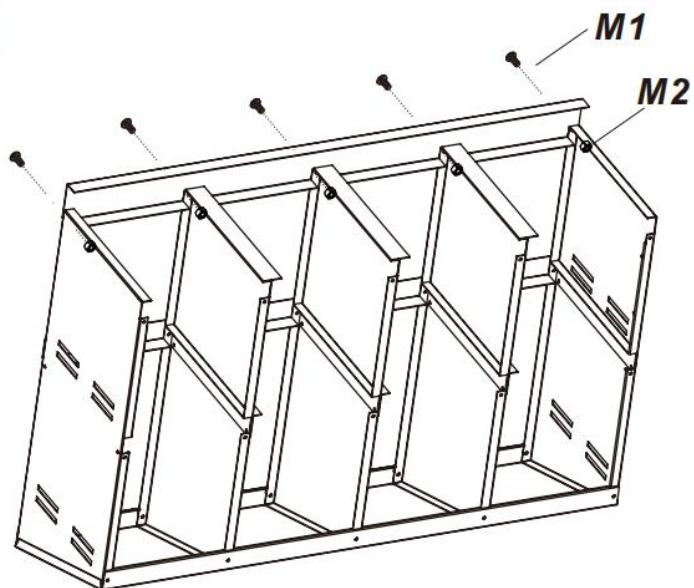


### STEP 6

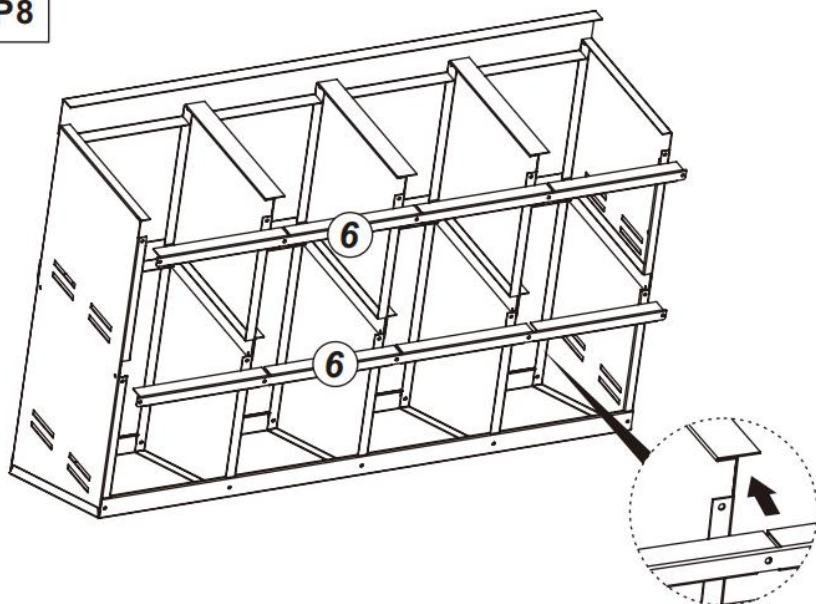


# ASSEMBLY GUIDE

## STEP 7

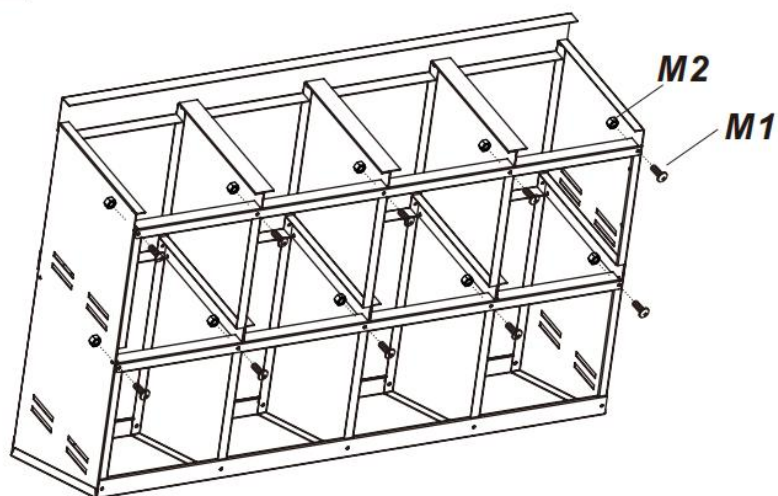


## STEP 8

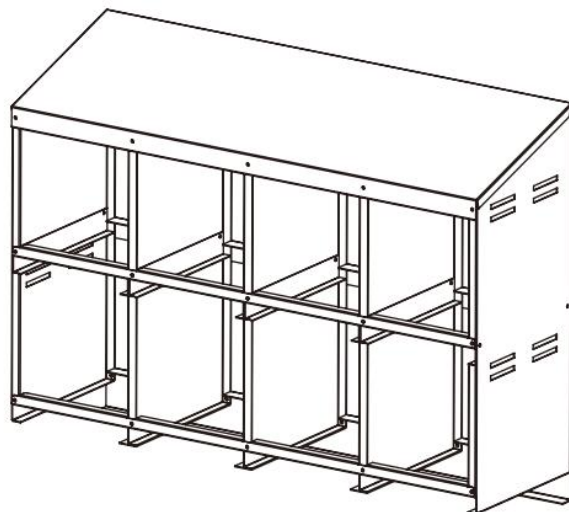


## ASSEMBLY GUIDE

### STEP 9

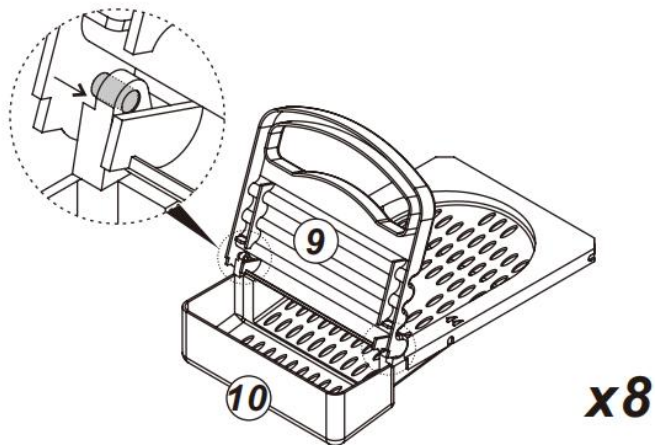


### STEP 10

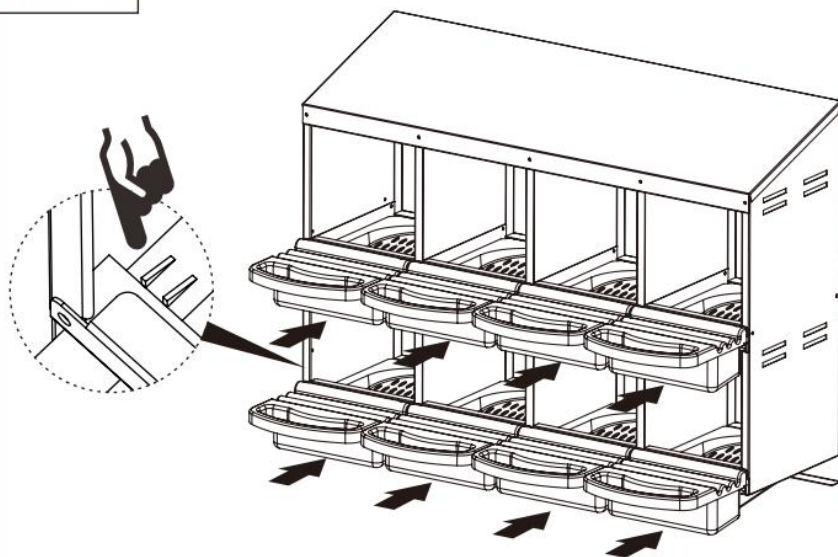


## ASSEMBLY GUIDE

### STEP 11

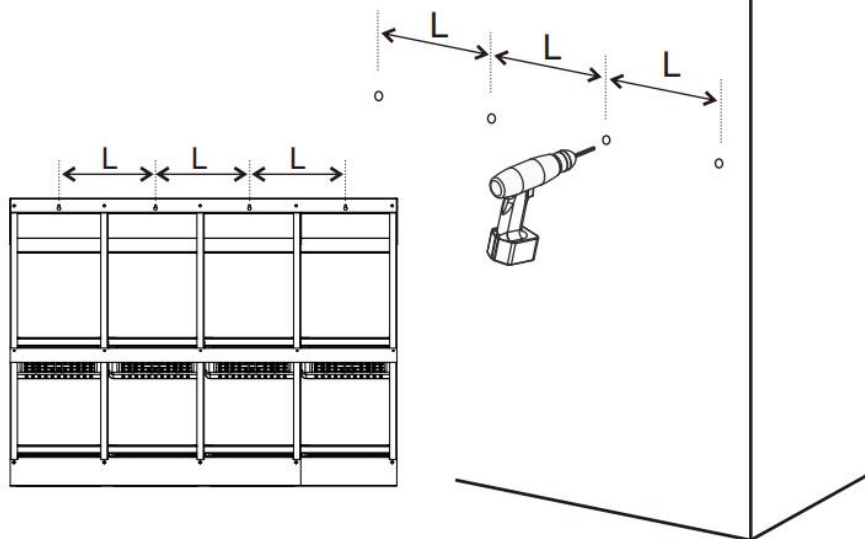


### STEP 12

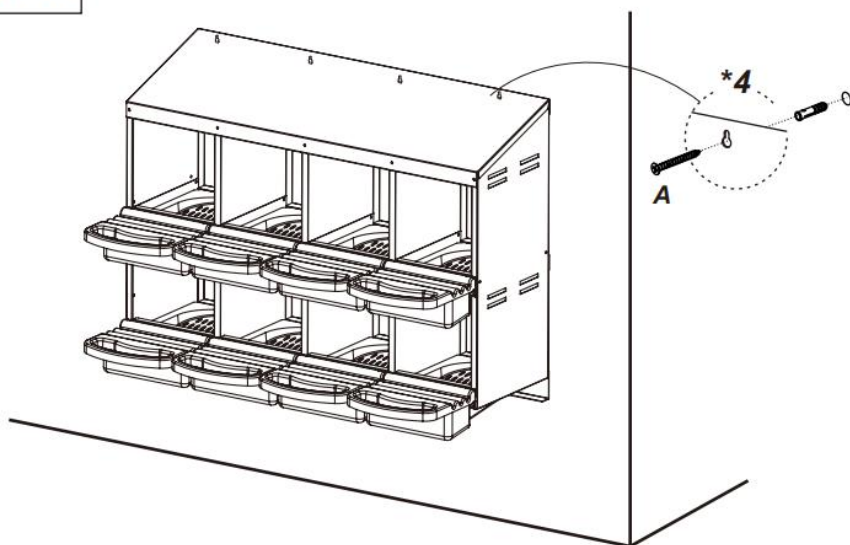


# ASSEMBLY GUIDE

## STEP 13



## STEP 14



Manufacturer: Shanghai muxinmuyeyouxiangongsi

Address: Shuangchenglu 803nong11hao1602A-1609shi, baoshanqu, shanghai 200000 CN.

Imported to AUS: SIHAO PTY LTD. 1 ROKEVA STREET EASTWOOD NSW 2122 Australia

Imported to USA: Sanven Technology Ltd. Suite 250, 9166 Anaheim Place, Rancho Cucamonga, CA 91730

<b>EC</b>	<b>REP</b>
-----------	------------

E-CrossStu GmbH  
Mainzer Landstr.69, 60329 Frankfurt am Main.

<b>UK</b>	<b>REP</b>
-----------	------------

YH CONSULTING LIMITED.  
C/O YH Consulting Limited Office 147, Centurion House, London Road, Staines-upon-Thames, Surrey, TW18 4AX





**VEVOR**<sup>®</sup>  
TOUGH TOOLS, HALF PRICE

Technical Support and E-Warranty Certificate  
[www.vevor.com/support](http://www.vevor.com/support)

# **VEVOR<sup>®</sup>**

**TOUGH TOOLS, HALF PRICE**

Técnico Certificado de soporte y garantía electrónica [www.vevor.com/support](http://www.vevor.com/support)

## **CAJA NIDO PARA POLLOS**

**MODELO: EB-00 8**

We continue to be committed to provide you tools with competitive price.

"Save Half", "Half Price" or any other similar expressions used by us only represents an estimate of savings you might benefit from buying certain tools with us compared to the major top brands and does not necessarily mean to cover all categories of tools offered by us. You are kindly reminded to verify carefully when you are placing an order with us if you are actually saving half in comparison with the top major brands.

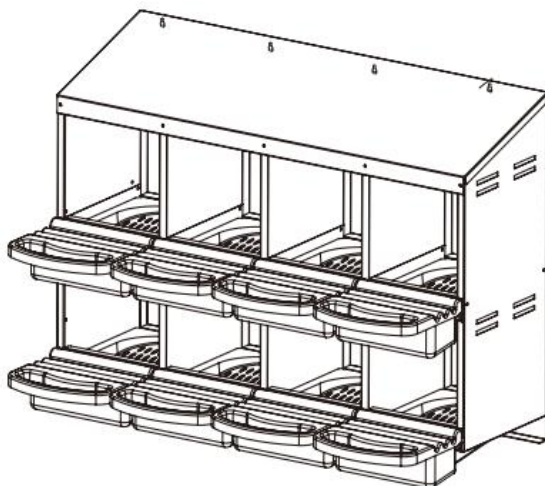


# VEVOR®

TOUGH TOOLS, HALF PRICE

## CHICKEN NEST BOX

MODELO: EB-00 8



### NEED HELP? CONTACT US!

Have product questions? Need technical support? Please feel free to contact us:

**Technical Support and E-Warranty Certificate**  
**[www.vevor.com/support](http://www.vevor.com/support)**

This is the original instruction, please read all manual instructions carefully before operating. VEVOR reserves a clear interpretation of our user manual. The appearance of the product shall be subject to the product you received. Please forgive us that we won't inform you again if there are any technology or software updates on our product.



Advertencia: para reducir el riesgo de lesiones, el usuario debe leer atentamente el manual de instrucciones.

## WARNING & PRECAUTIONS

### ADVERTENCIA :

1. Use guantes protectores cuando utilice herramientas para instalar señales fijas o utilice dos personas para ayudar con la instalación.
2. Cuando lo utilice, lea primero este manual y se recomienda conservarlo en buen estado para verlo en el futuro.

## PRODUCT DESCRIPTION

<b>Modelo</b>	EB-00 8
<b>Color</b>	Rojo & Negro
<b>Material</b>	Acero recubierto de zinc y PP
<b>Número de compartimentos</b>	8 compartimentos
<b>Tamaño del producto</b>	1060*525*800mm
<b>Tamaño de embalaje</b>	1185*435*290mm

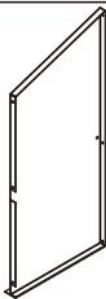
## PART LIST



① x1



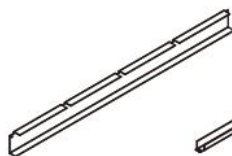
② x1



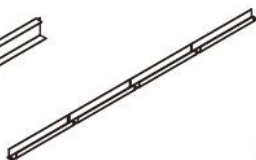
③ x3



④ x1



⑤ x1



⑥ x2



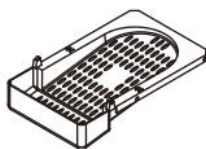
⑦ x1



⑧ x8



⑨ x8



⑩ x8



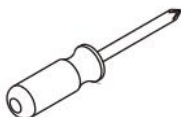
M1x40



M2x40



Ax4



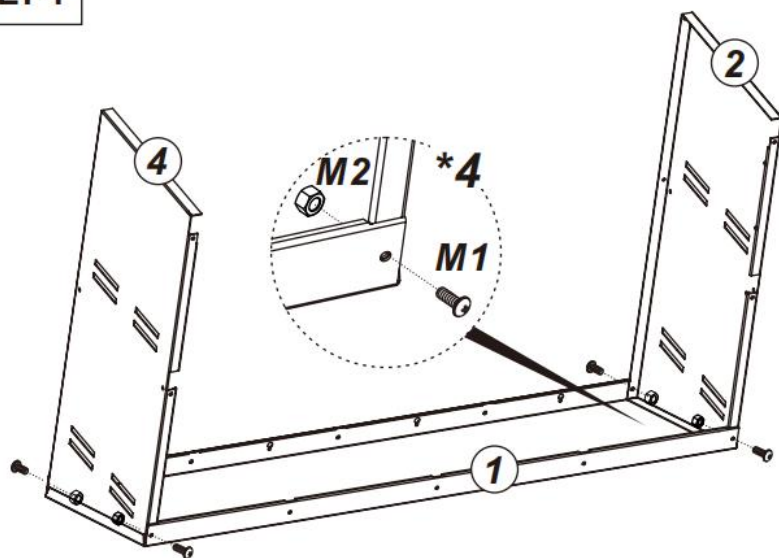
Bx1



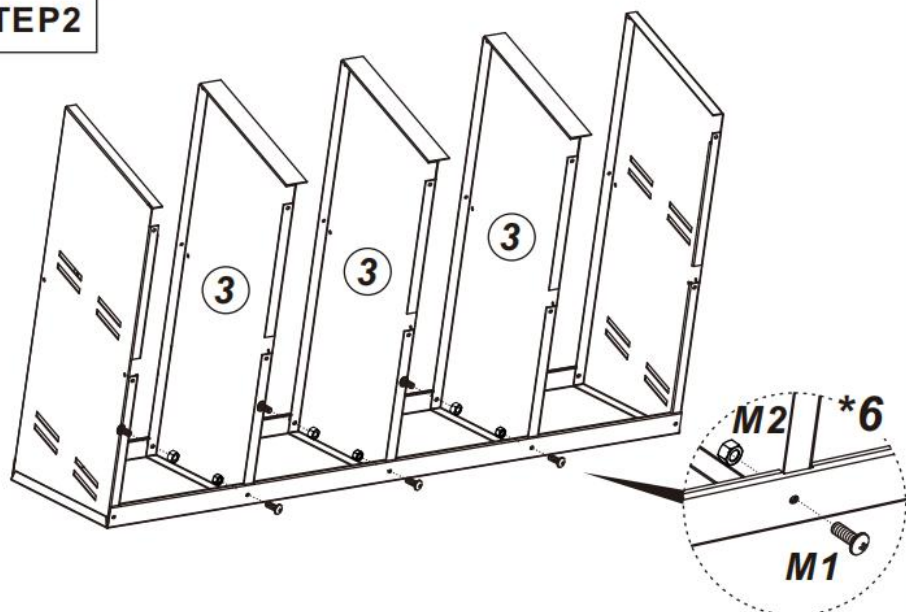
Cx1

# ASSEMBLY GUIDE

## STEP 1

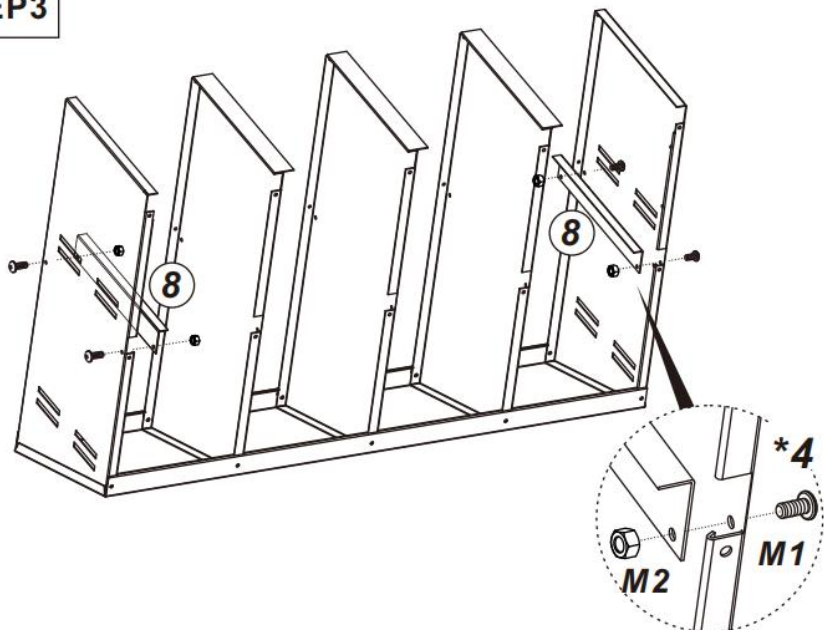


## STEP 2

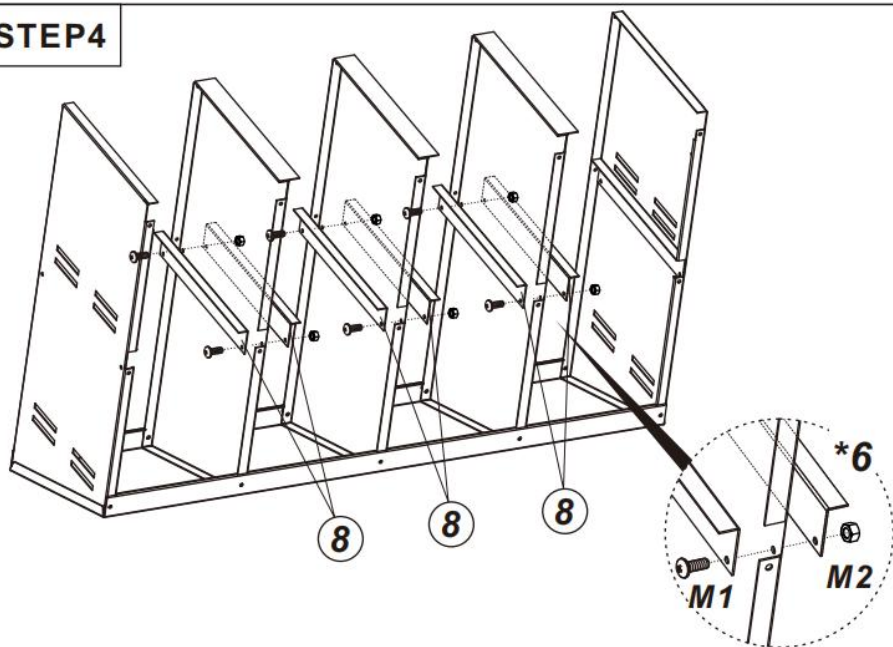


# ASSEMBLY GUIDE

## STEP 3

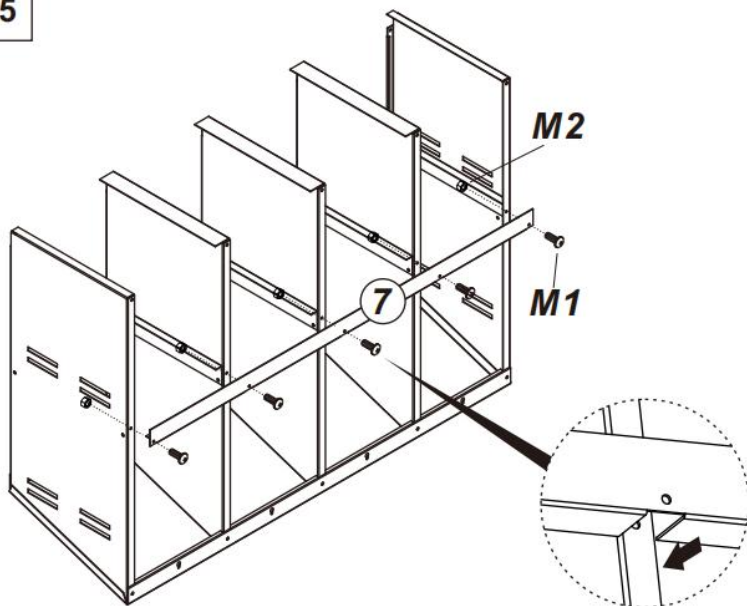


## STEP 4

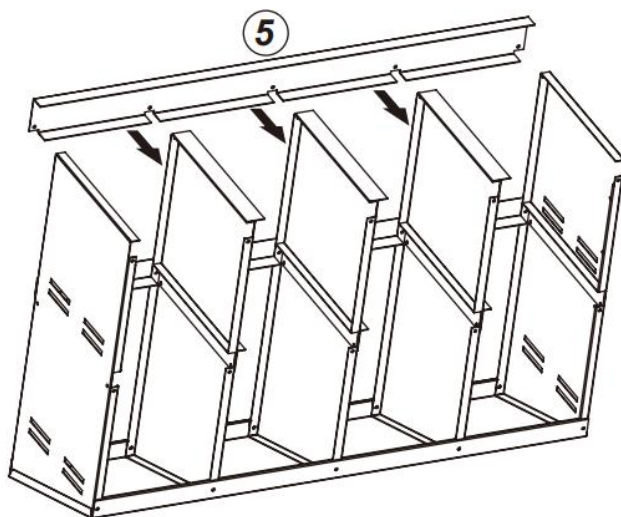


## ASSEMBLY GUIDE

### STEP 5

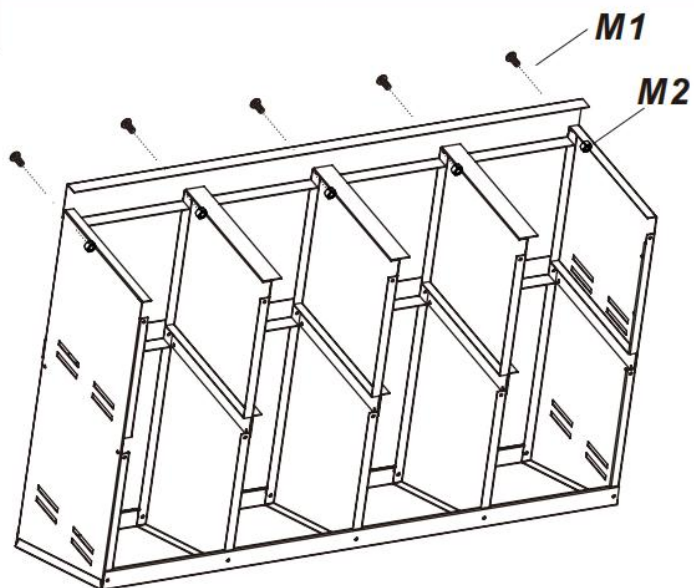


### STEP 6

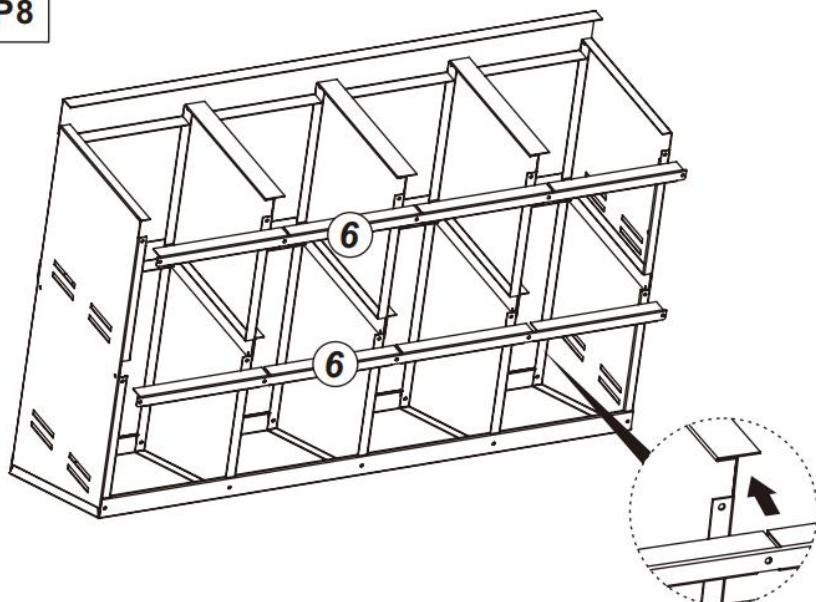


# ASSEMBLY GUIDE

## STEP 7

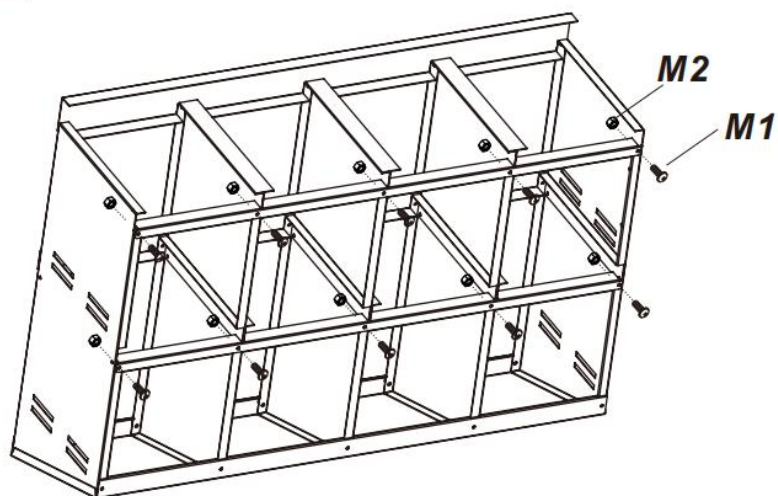


## STEP 8

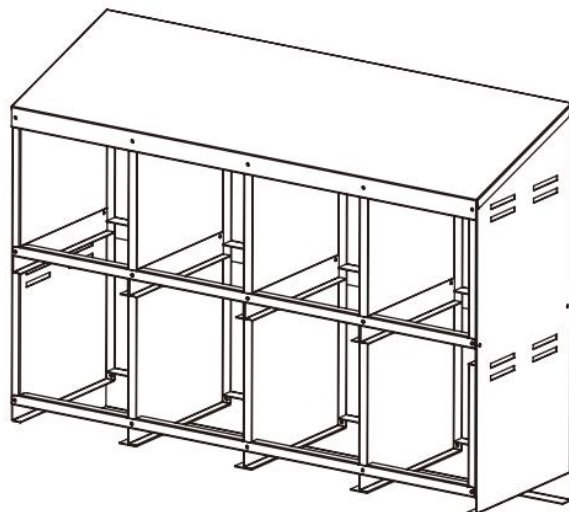


## ASSEMBLY GUIDE

### STEP 9

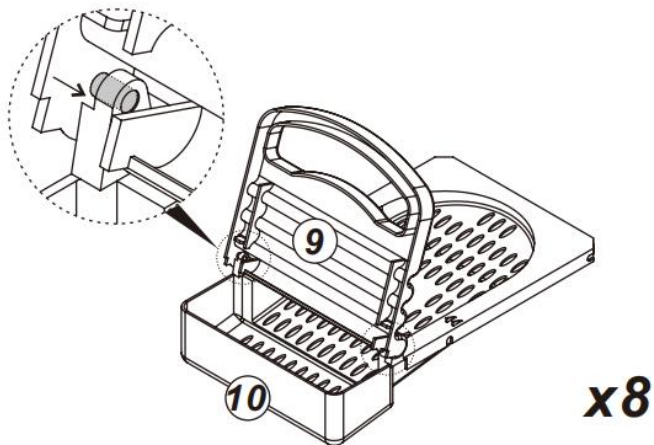


### STEP 10

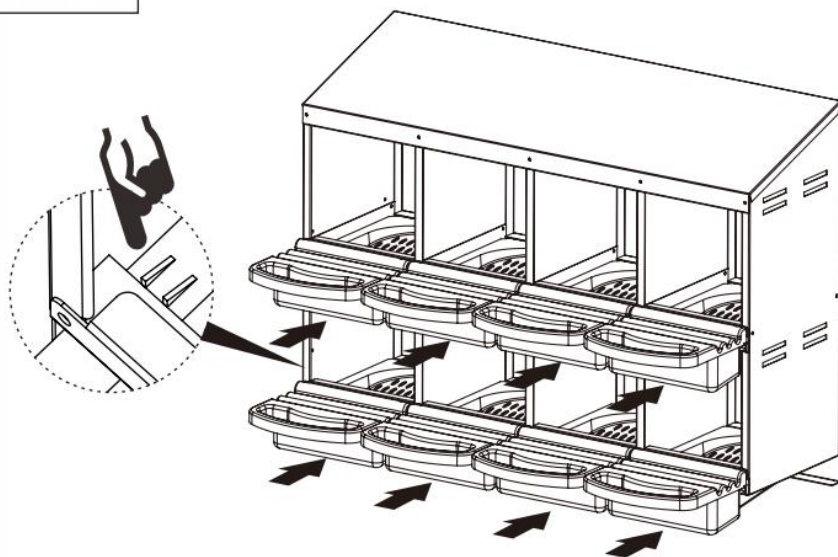


## ASSEMBLY GUIDE

### STEP 11

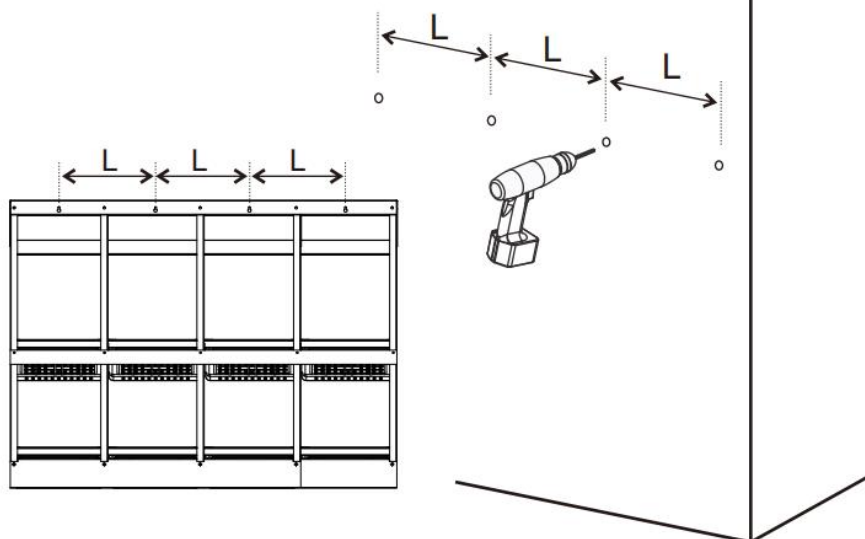


### STEP 12

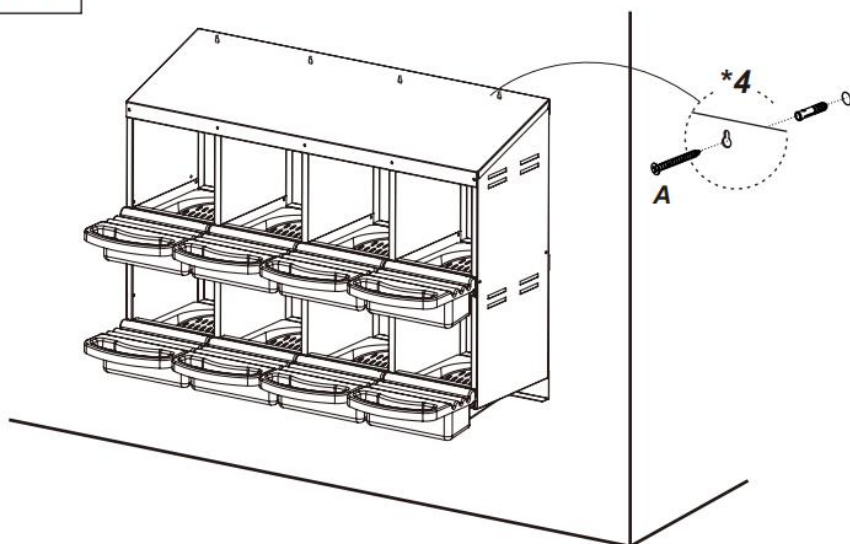


# ASSEMBLY GUIDE

## STEP 13



## STEP 14



Fabricante: Shanghaimuxinmuyeyouxiangongsi

Dirección: Shuangchenglu 803nong11hao1602A-1609shi, baoshanqu, shanghai 200000 CN.

Importado a AUS: SIHAO PTY LTD. 1 ROKEVA STREET ASTWOOD NSW 2122 Australia

Importado a EE. UU.: Sanven Technology Ltd. Suite 250, 9166 Anaheim Place, Rancho Cucamonga, CA 91730

<b>EC</b>	<b>REP</b>
-----------	------------

E-CrossStu GmbH  
Mainzer Landstr.69, 60329 Frankfurt am Main.

<b>UK</b>	<b>REP</b>
-----------	------------

YH CONSULTING LIMITED.  
C/O YH Consulting Limited Office 147, Centurion House, London Road, Staines-upon-Thames, Surrey, TW18 4AX





**VEVOR**<sup>®</sup>  
TOUGH TOOLS, HALF PRICE

Técnico Certificado de soporte y garantía electrónica  
[www.vevor.com/support](http://www.vevor.com/support)

# **VEVOR<sup>®</sup>**

## **TOUGH TOOLS, HALF PRICE**

Tecnico Supporto e certificato di garanzia elettronica [www.vevor.com/support](http://www.vevor.com/support)

## **NIDO PER GALLINE**

**MODELLO: EB- 008**

We continue to be committed to provide you tools with competitive price.

"Save Half", "Half Price" or any other similar expressions used by us only represents an estimate of savings you might benefit from buying certain tools with us compared to the major top brands and does not necessarily mean to cover all categories of tools offered by us. You are kindly reminded to verify carefully when you are placing an order with us if you are actually saving half in comparison with the top major brands.

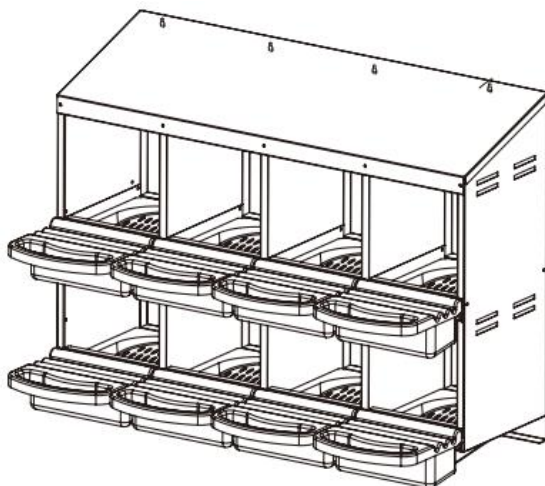


# VEVOR®

TOUGH TOOLS, HALF PRICE

## CHICKEN NEST BOX

**MODELLO: EB- 008**



### **NEED HELP? CONTACT US!**

Have product questions? Need technical support? Please feel free to contact us:

**Technical Support and E-Warranty Certificate**  
**[www.vevor.com/support](http://www.vevor.com/support)**

This is the original instruction, please read all manual instructions carefully before operating. VEVOR reserves a clear interpretation of our user manual. The appearance of the product shall be subject to the product you received. Please forgive us that we won't inform you again if there are any technology or software updates on our product.



Avvertenza: per ridurre il rischio di lesioni, l'utente deve leggere attentamente il manuale di istruzioni.

## WARNING & PRECAUTIONS

### AVVERTIMENTO :

1. Indossare guanti protettivi quando si utilizzano strumenti per installare la segnaletica fissa oppure avvalersi di due persone per assistere durante l'installazione.
2. Durante l'utilizzo, leggere prima questo manuale e si consiglia di conservarlo con cura per una visione successiva.

## PRODUCT DESCRIPTION

<b>Modello</b>	EB- 008
<b>Colore</b>	Rosso & Nero
<b>Materiale</b>	Acciaio zincato e PP
<b>Numero di scomparti</b>	8 scomparti
<b>Taglia del prodotto</b>	1060*525*800mm

**Dimensioni  
dell'imballaggio**

1185\*435\*290mm

**PART LIST**



① x1



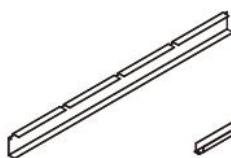
② x1



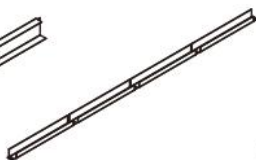
③ x3



④ x1



⑤ x1



⑥ x2



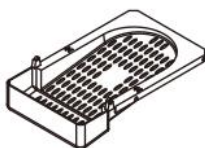
⑦ x1



⑧ x8



⑨ x8



⑩ x8



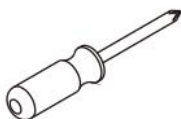
M1x40



M2x40



Ax4



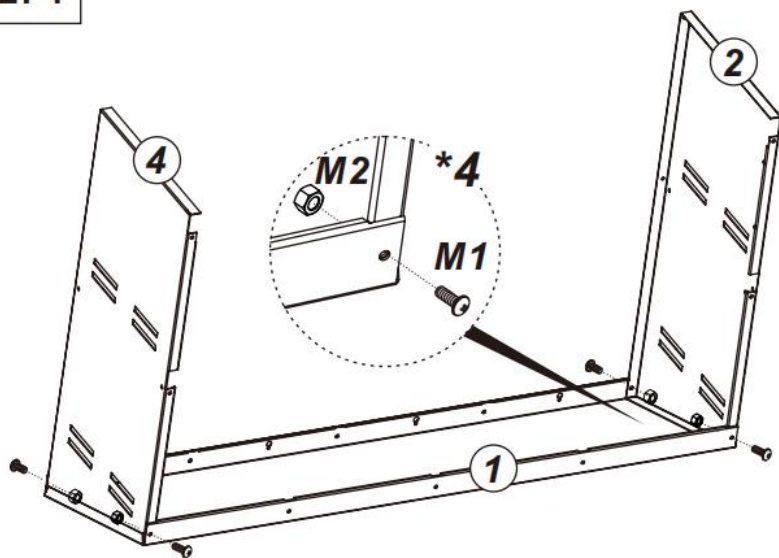
Bx1



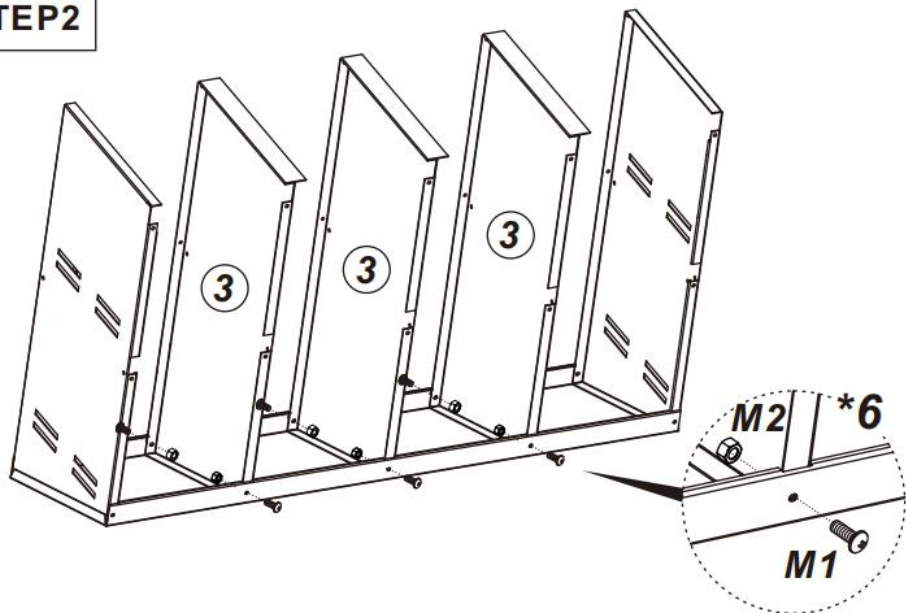
Cx1

## ASSEMBLY GUIDE

## STEP 1

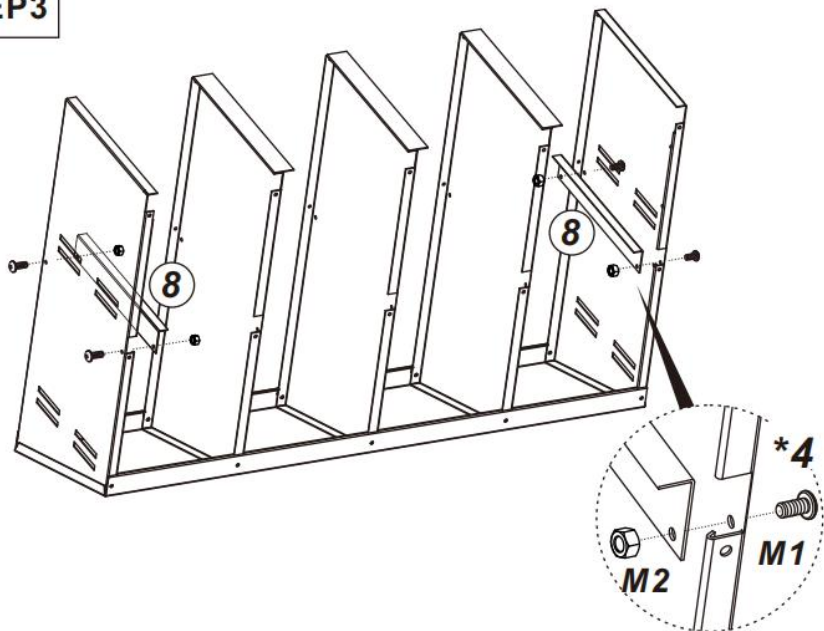


## STEP 2

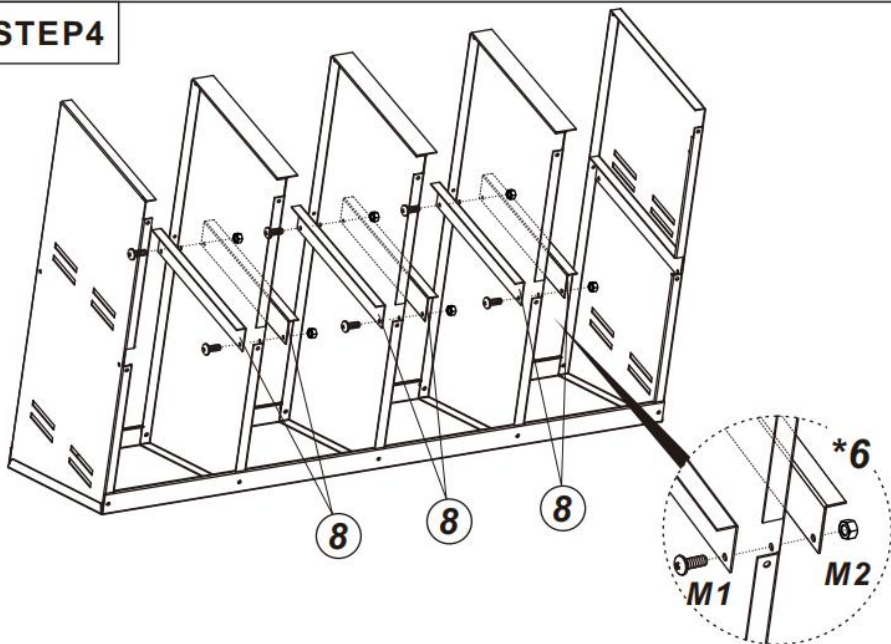


## ASSEMBLY GUIDE

### STEP 3

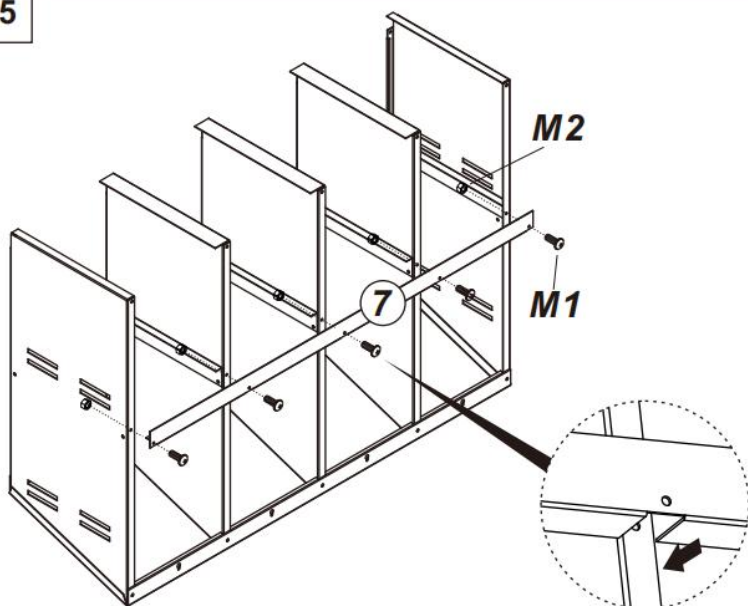


### STEP 4

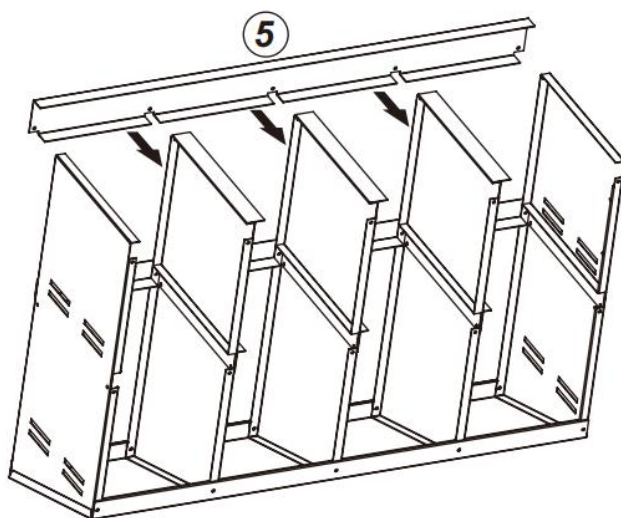


## ASSEMBLY GUIDE

**STEP 5**

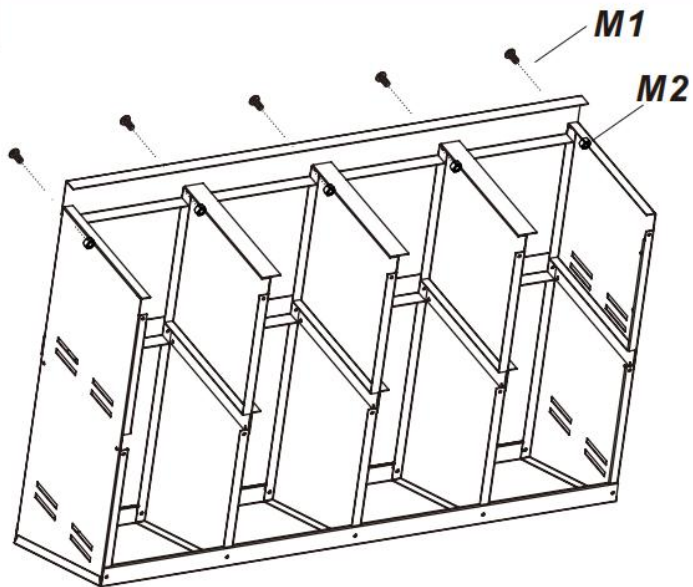


**STEP 6**

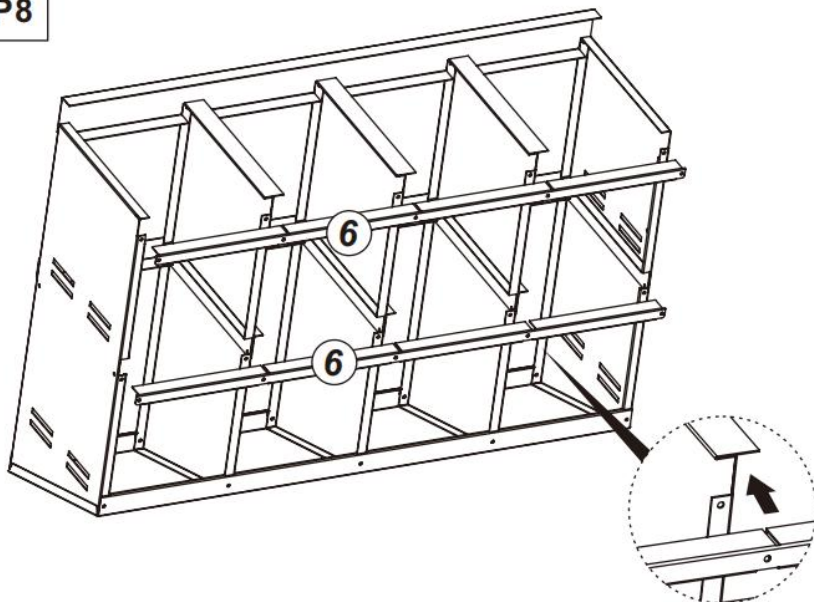


**ASSEMBLY GUIDE**

**STEP 7**

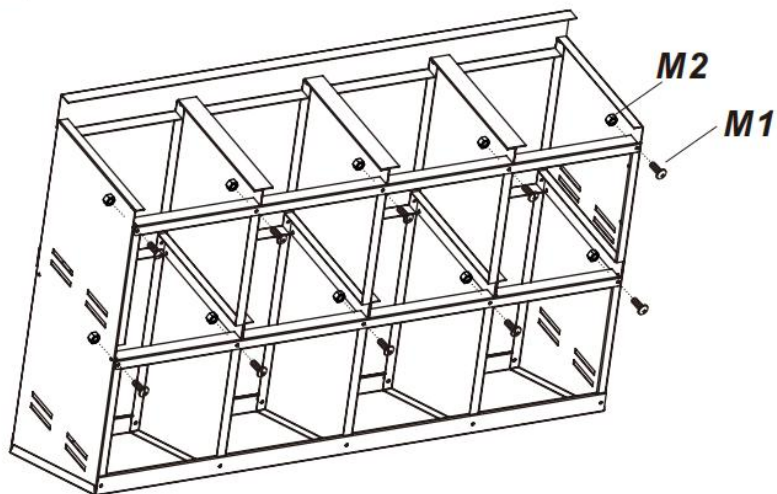


**STEP 8**

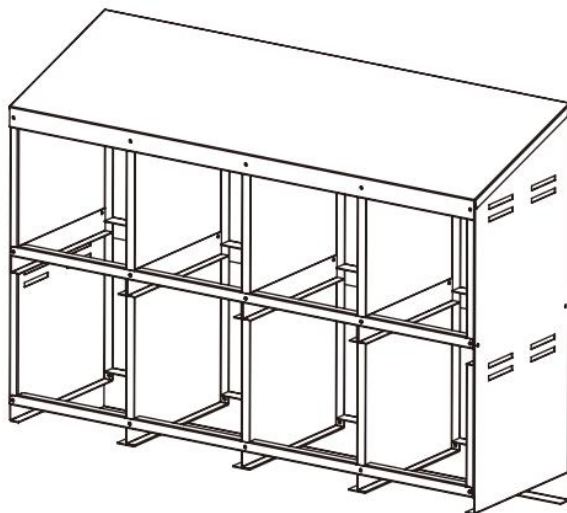


**ASSEMBLY GUIDE**

**STEP9**

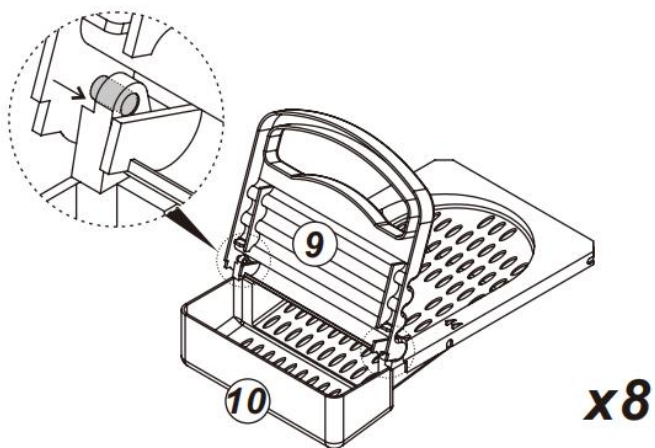


**STEP10**

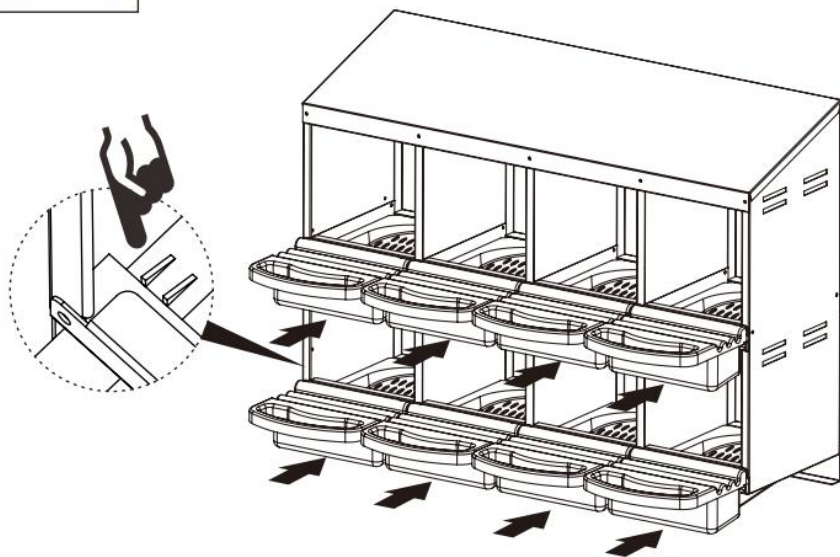


**ASSEMBLY GUIDE**

## STEP 11

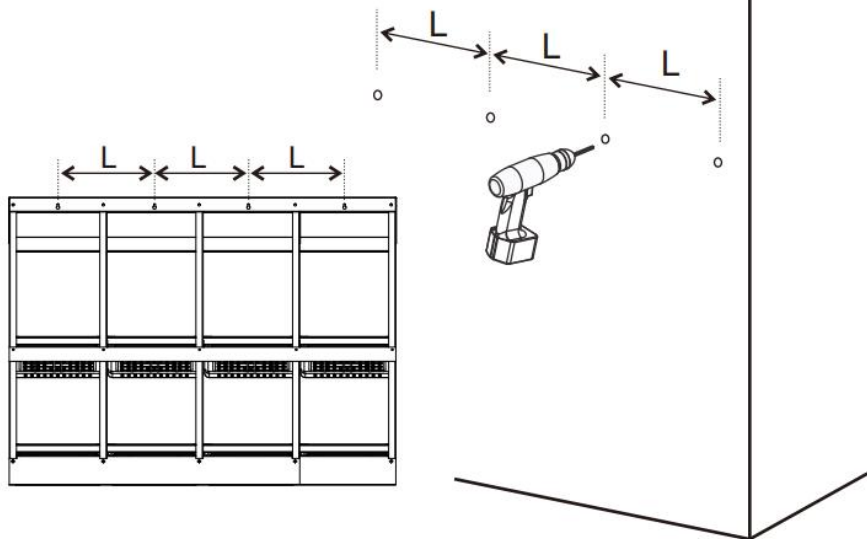


## STEP 12

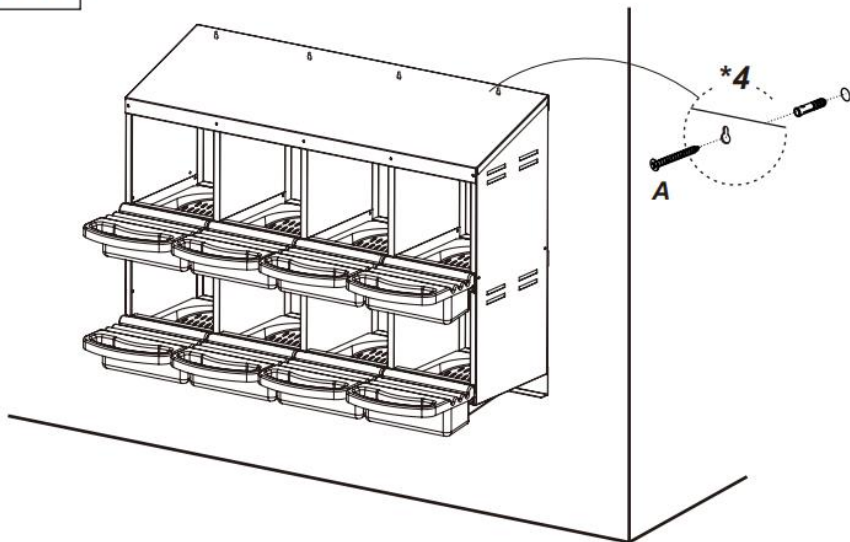


## ASSEMBLY GUIDE

### STEP 13



### STEP 14



Produttore: Shanghai muxinmuyeyouxiangongsi

Indirizzo: Shuangchenglu 803nong11hao1602A-1609shi, baoshanqu, shanghai 200000 CN.

Importato in AUS: SIHAO PTY LTD. 1 ROKEVA STREETEASTWOOD NSW 2122 Australia

Importato negli Stati Uniti: Sanven Technology Ltd. Suite 250, 9166 Anaheim Place, Rancho Cucamonga, CA 91730

<b>EC</b>	<b>REP</b>
-----------	------------

E-CrossStu GmbH  
Mainzer Landstr.69, 60329 Frankfurt am Main.

<b>UK</b>	<b>REP</b>
-----------	------------

YH CONSULTING LIMITED.  
C/O YH Consulting Limited Office 147, Centurion House, London Road, Staines-upon-Thames, Surrey, TW18 4AX





**VEVOR**<sup>®</sup>  
TOUGH TOOLS, HALF PRICE

Tecnico Supporto e certificato di garanzia elettronica  
[www.vevor.com/support](http://www.vevor.com/support)

# **VEVOR<sup>®</sup>**

**TOUGH TOOLS, HALF PRICE**

Techniczny Certyfikat wsparcia i e-gwarancji [www.vevor.com/support](http://www.vevor.com/support)

## **BUDKA LĘGOWA Z KURCZAKA**

**MODEL: EB-00 8**

We continue to be committed to provide you tools with competitive price.

"Save Half", "Half Price" or any other similar expressions used by us only represents an estimate of savings you might benefit from buying certain tools with us compared to the major top brands and does not necessarily mean to cover all categories of tools offered by us. You are kindly reminded to verify carefully when you are placing an order with us if you are actually saving half in comparison with the top major brands.

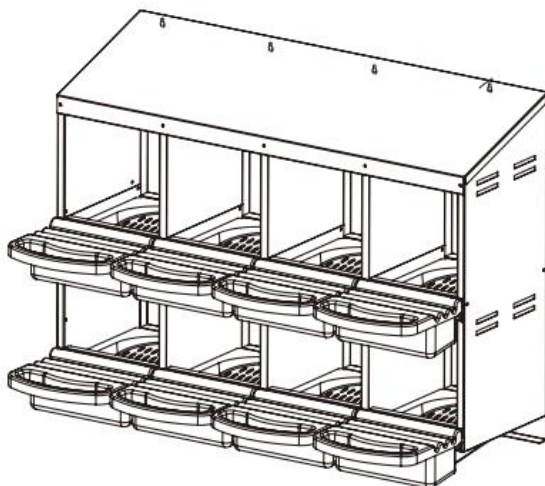


# VEVOR®

TOUGH TOOLS, HALF PRICE

## CHICKEN NEST BOX

MODEL: EB-00 8



### NEED HELP? CONTACT US!

Have product questions? Need technical support? Please feel free to contact us:

**Technical Support and E-Warranty Certificate**  
**[www.vevor.com/support](http://www.vevor.com/support)**

This is the original instruction, please read all manual instructions carefully before operating. VEVOR reserves a clear interpretation of our user manual. The appearance of the product shall be subject to the product you received. Please forgive us that we won't inform you again if there are any technology or software updates on our product.



Ostrzeżenie — aby zmniejszyć ryzyko obrażeń, użytkownik musi uważnie przeczytać instrukcję obsługi.

## WARNING & PRECAUTIONS

### OSTRZEŻENIE :

1. Podczas używania narzędzi do montażu stałych drogowskazów należy nosić rękawice ochronne lub przy montażu korzystać z pomocy dwóch osób.
2. Podczas użytkowania prosimy najpierw przeczytać niniejszą instrukcję. Zaleca się zachowanie jej do późniejszego wykorzystania.

## PRODUCT DESCRIPTION

<b>Model</b>	EB-00 8
<b>Kolor</b>	Czerwony & Czarny
<b>Materiał</b>	Stal ocynkowana i PP
<b>Liczba przegródek</b>	8 przegródek
<b>Rozmiar produktu</b>	1060*525*800mm

**Wielkość  
opakowania**

1185\*435\*290mm

**PART LIST**



**1 x1**



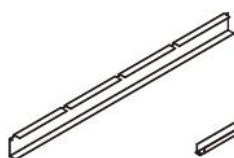
**2 x1**



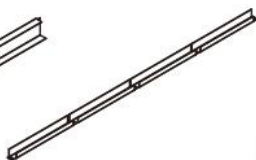
**3 x3**



**4 x1**



**5 x1**



**6 x2**



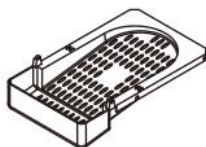
**7 x1**



**8 x8**



**9 x8**



**10 x8**



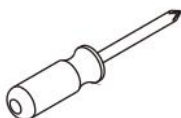
**M1x40**



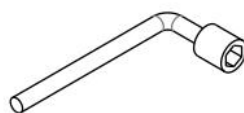
**M2x40**



**Ax4**



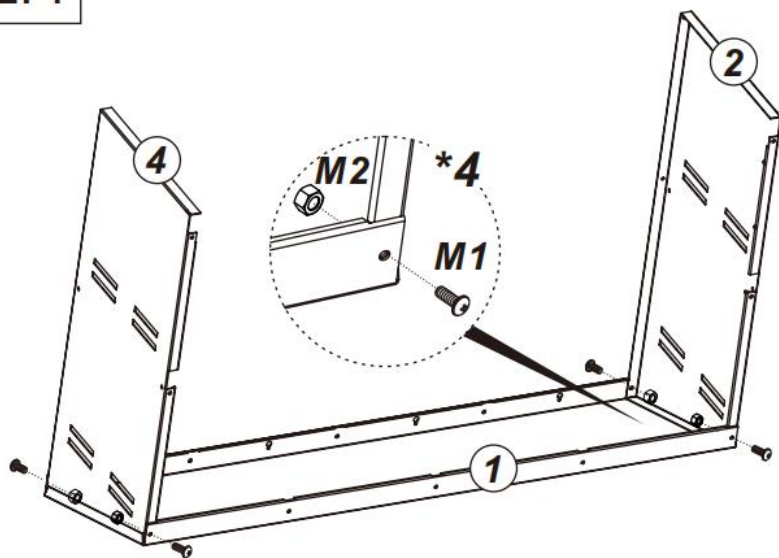
**Bx1**



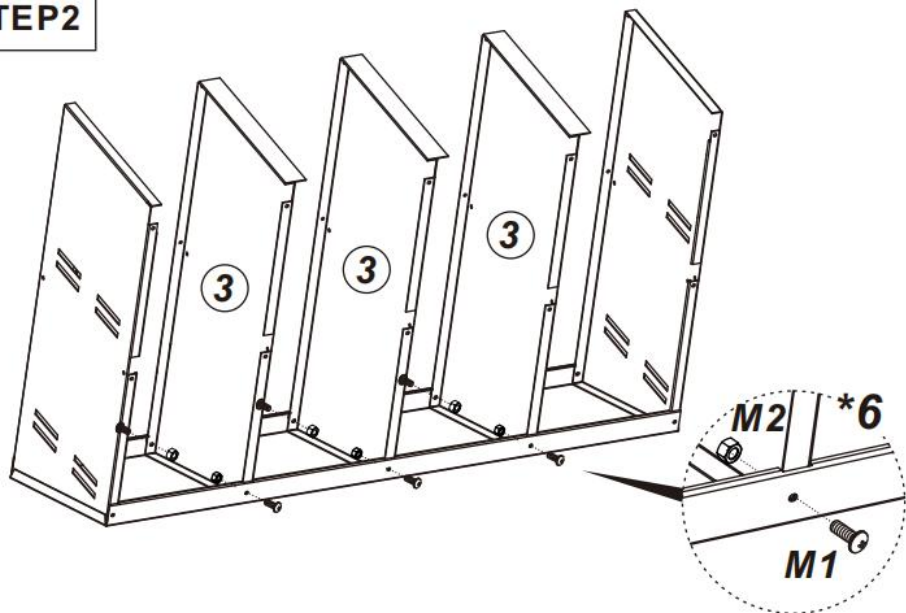
**Cx1**

## ASSEMBLY GUIDE

## STEP 1

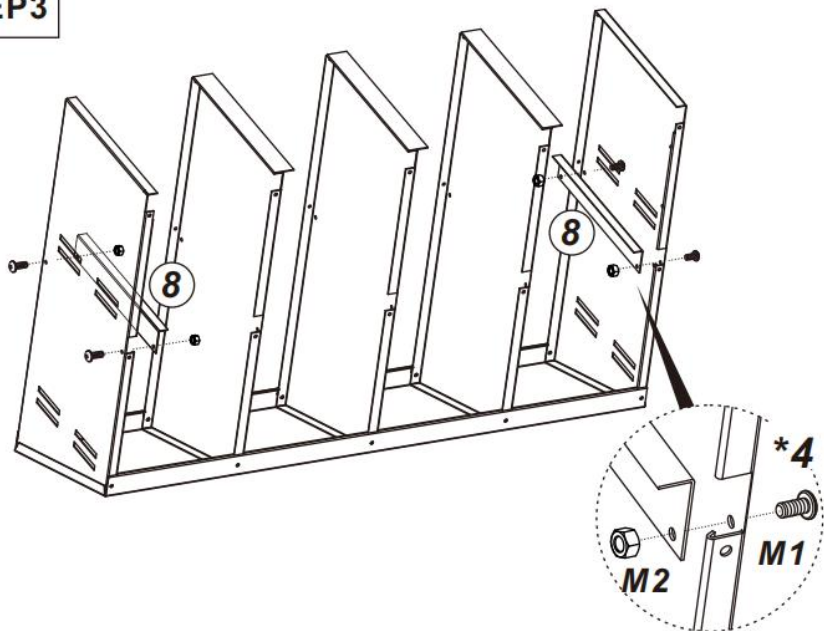


## STEP 2

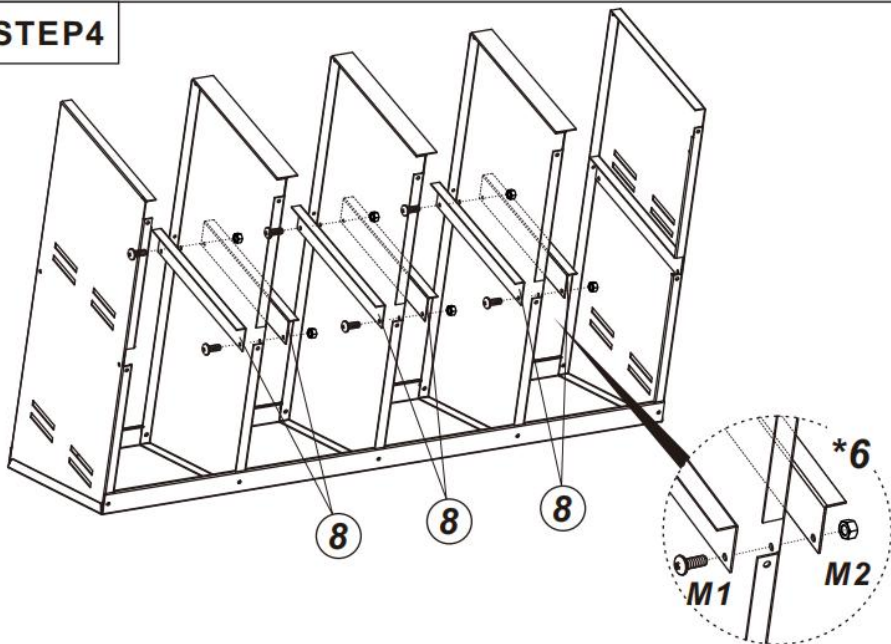


## ASSEMBLY GUIDE

### STEP 3

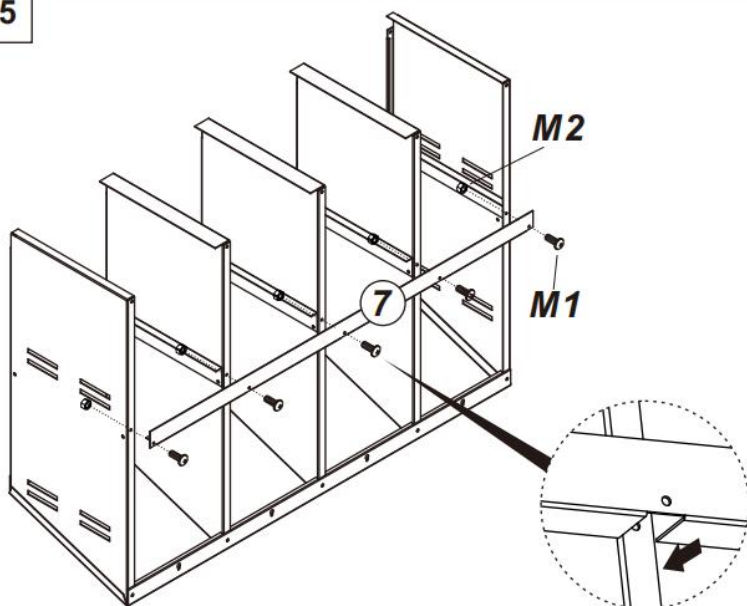


### STEP 4

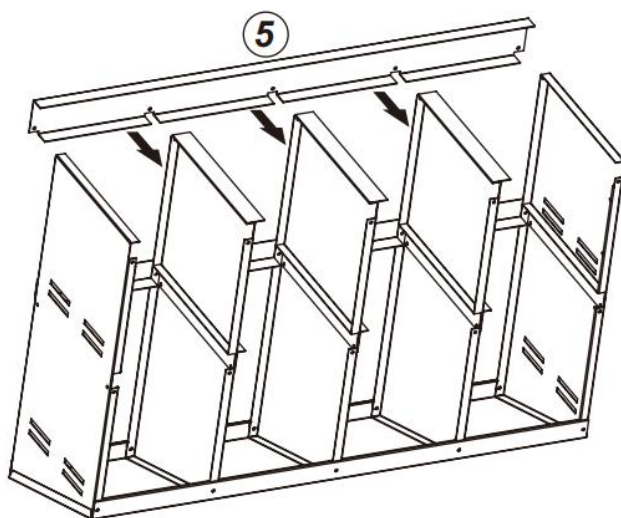


## ASSEMBLY GUIDE

**STEP 5**

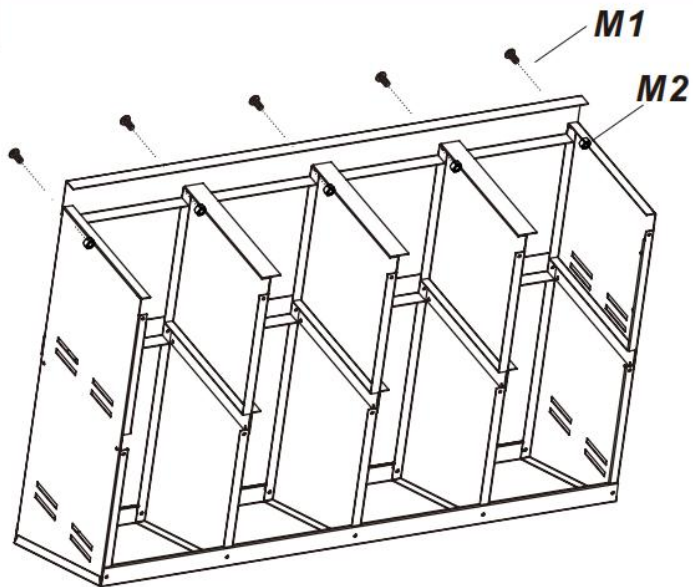


**STEP 6**

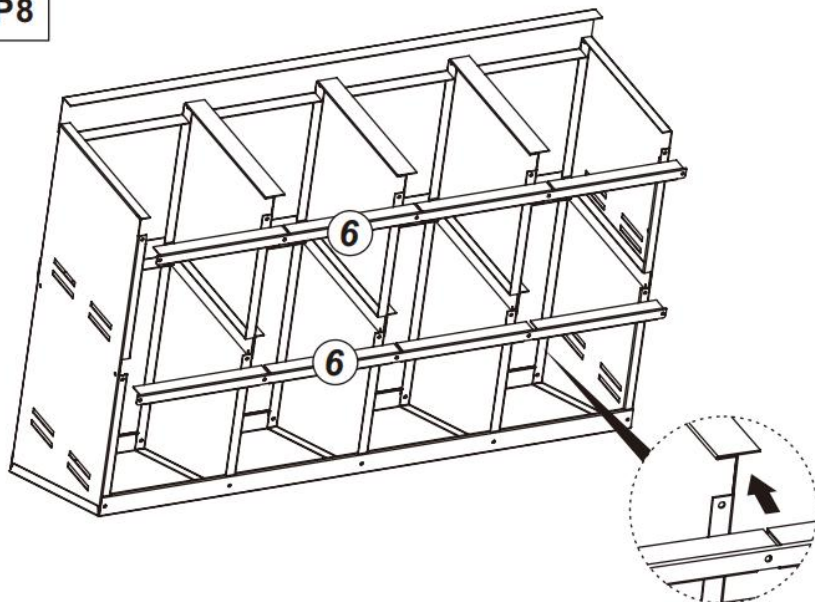


**ASSEMBLY GUIDE**

**STEP 7**

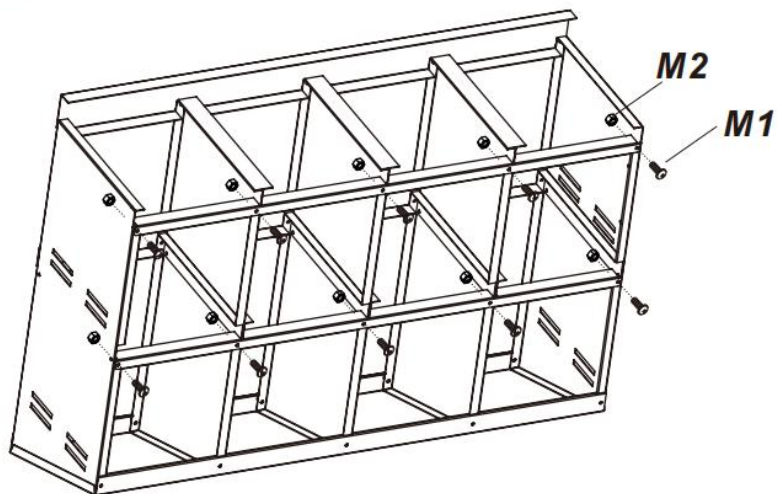


**STEP 8**

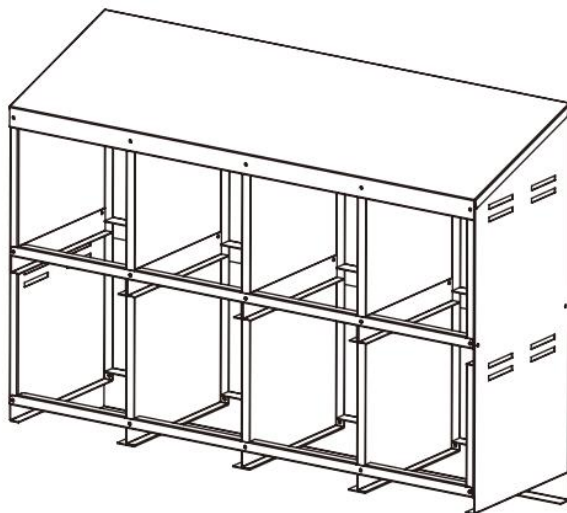


**ASSEMBLY GUIDE**

**STEP9**

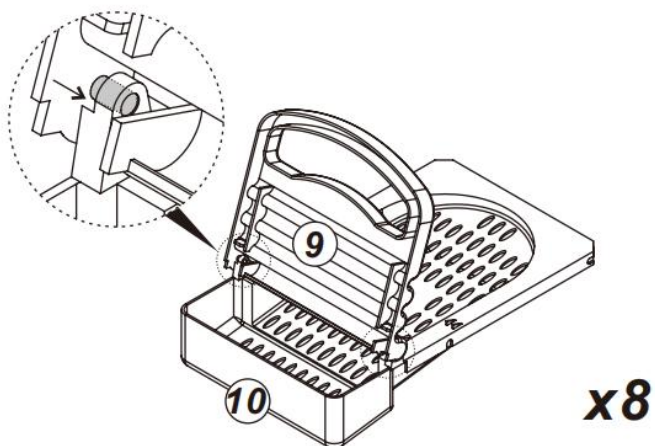


**STEP10**

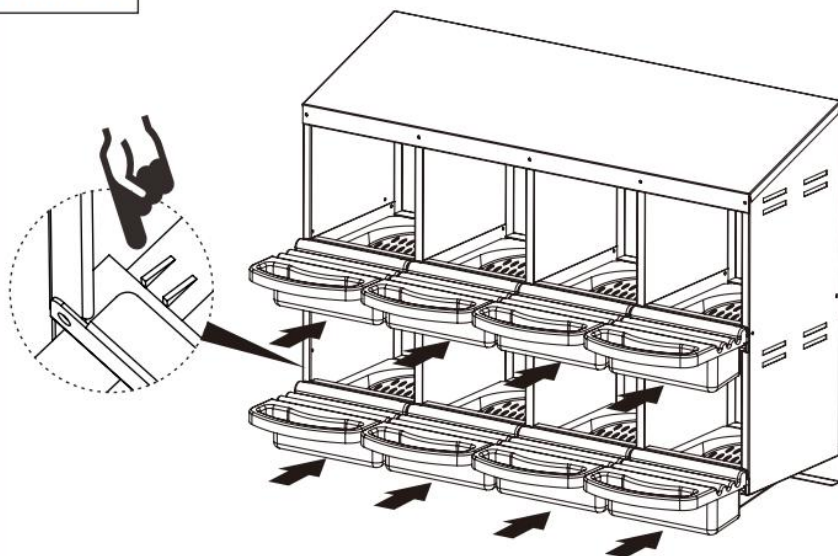


**ASSEMBLY GUIDE**

## STEP 11

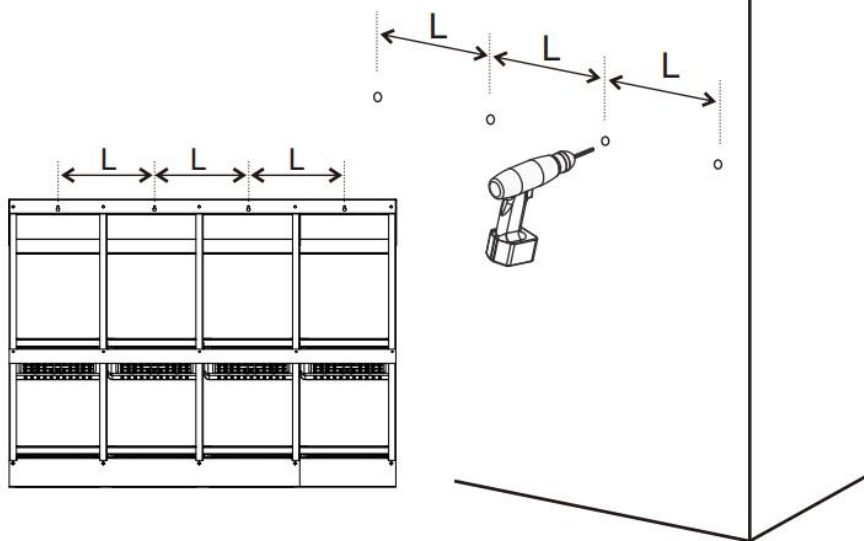


## STEP 12

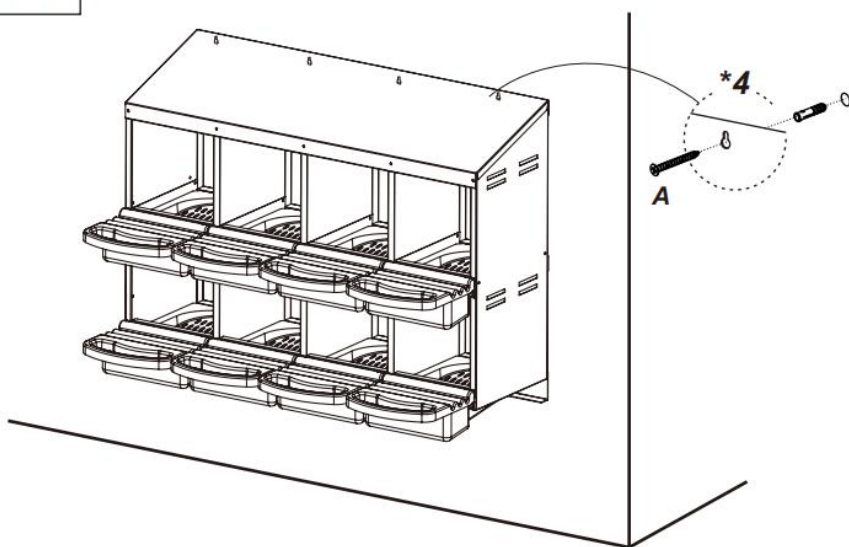


## ASSEMBLY GUIDE

### STEP 13



### STEP 14



Producent: Shanghaimuxinmuyeyouxiangongsi

Adres: Shuangchenglu 803nong11hao1602A-1609shi, baoshanqu, szanghaj 200000 CN.

Import do AUS: SIHAO PTY LTD. 1 ROKEVA STREETEASTWOOD NSW 2122 Australia

Import do USA: Sanven Technology Ltd. Suite 250, 9166 Anaheim Place, Rancho Cucamonga, CA 91730

<b>EC</b>	<b>REP</b>
-----------	------------

E-CrossStu GmbH  
Mainzer Landstr.69, 60329 Frankfurt am Main.

<b>UK</b>	<b>REP</b>
-----------	------------

YH CONSULTING LIMITED.  
C/O YH Consulting Limited Office 147, Centurion House, London Road, Staines-upon-Thames, Surrey, TW18 4AX





# **VEVOR<sup>®</sup>**

**TOUGH TOOLS, HALF PRICE**

**Techniczny Certyfikat wsparcia i e-gwarancji**

**[www.vevor.com/support](http://www.vevor.com/support)**

# **VEVOR®**

**TOUGH TOOLS, HALF PRICE**

Technisch Support und E-Garantie-Zertifikat [www.vevor.com/support](http://www.vevor.com/support)

## **HÜHNERNESTKASTEN**

**MODELL: EB-00 8**

We continue to be committed to provide you tools with competitive price.

"Save Half", "Half Price" or any other similar expressions used by us only represents an estimate of savings you might benefit from buying certain tools with us compared to the major top brands and does not necessarily mean to cover all categories of tools offered by us. You are kindly reminded to verify carefully when you are placing an order with us if you are actually saving half in comparison with the top major brands.

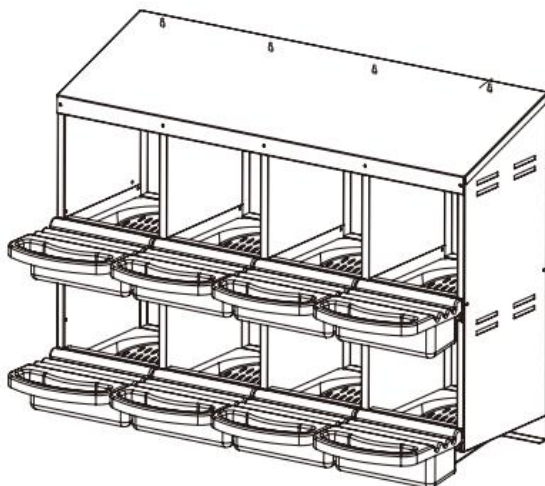


# VEVOR®

TOUGH TOOLS, HALF PRICE

## CHICKEN NEST BOX

MODELL: EB-00 8



### NEED HELP? CONTACT US!

Have product questions? Need technical support? Please feel free to contact us:

**Technical Support and E-Warranty Certificate**  
**[www.vevor.com/support](http://www.vevor.com/support)**

This is the original instruction, please read all manual instructions carefully before operating. VEVOR reserves a clear interpretation of our user manual. The appearance of the product shall be subject to the product you received. Please forgive us that we won't inform you again if there are any technology or software updates on our product.



Warnung: Um das Verletzungsrisiko zu verringern, muss der Benutzer die Bedienungsanleitung sorgfältig lesen.

## WARNING & PRECAUTIONS

### WARNUNG :

1. Tragen Sie beim Einsatz von Werkzeugen zur Montage von festen Wegweisern Schutzhandschuhe oder lassen Sie sich bei der Montage von zwei Personen helfen.
2. Lesen Sie vor der Verwendung zunächst dieses Handbuch durch. Es wird empfohlen, es für die spätere Verwendung gut aufzubewahren.

## PRODUCT DESCRIPTION

<b>Modell</b>	EB-00 8
<b>Farbe</b>	Rot und Schwarz
<b>Material</b>	Verzinkter Stahl und PP
<b>Anzahl der Fächer</b>	8 Fächer
<b>Produktgröße</b>	1060 x 525 x 800 mm

Packungsgröße

1185 x 435 x 290 mm

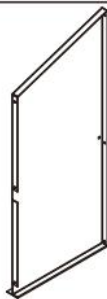
PART LIST



① x1



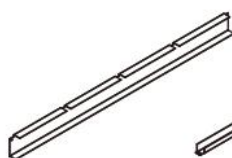
② x1



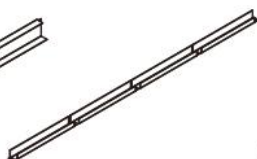
③ x3



④ x1



⑤ x1



⑥ x2



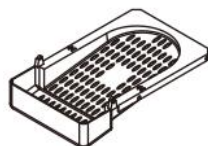
⑦ x1



⑧ x8



⑨ x8



⑩ x8



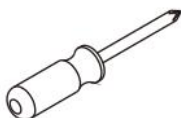
M1x40



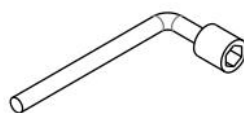
M2x40



Ax4



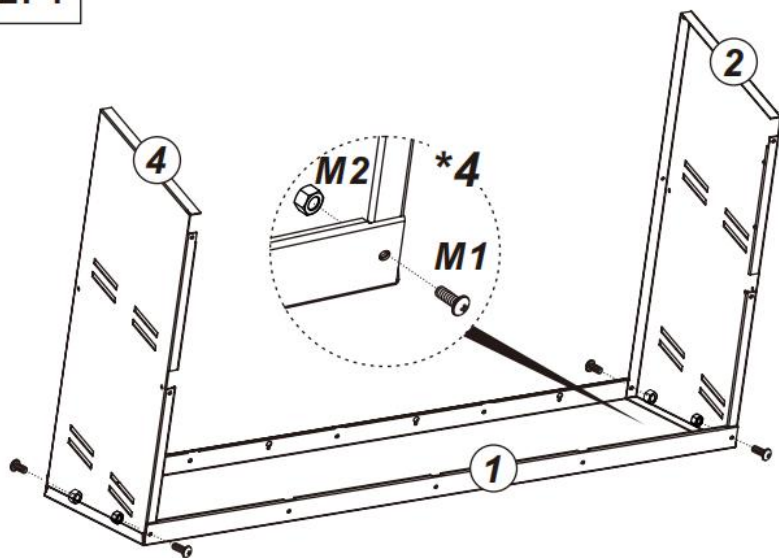
Bx1



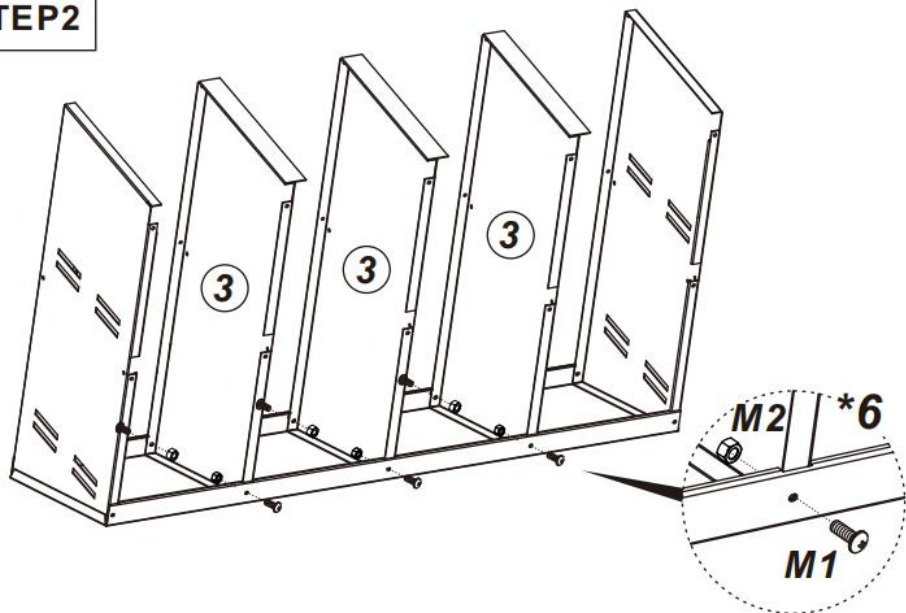
Cx1

## ASSEMBLY GUIDE

## STEP 1

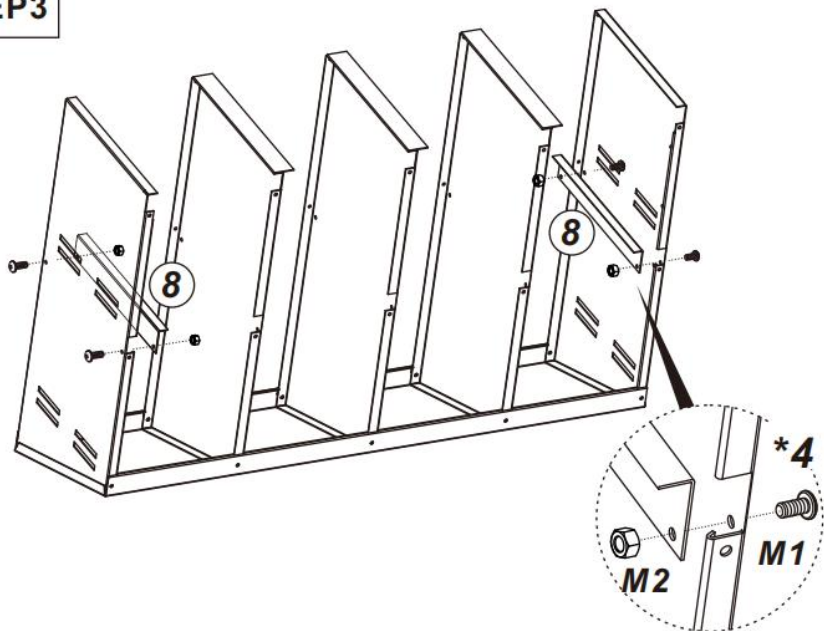


## STEP 2

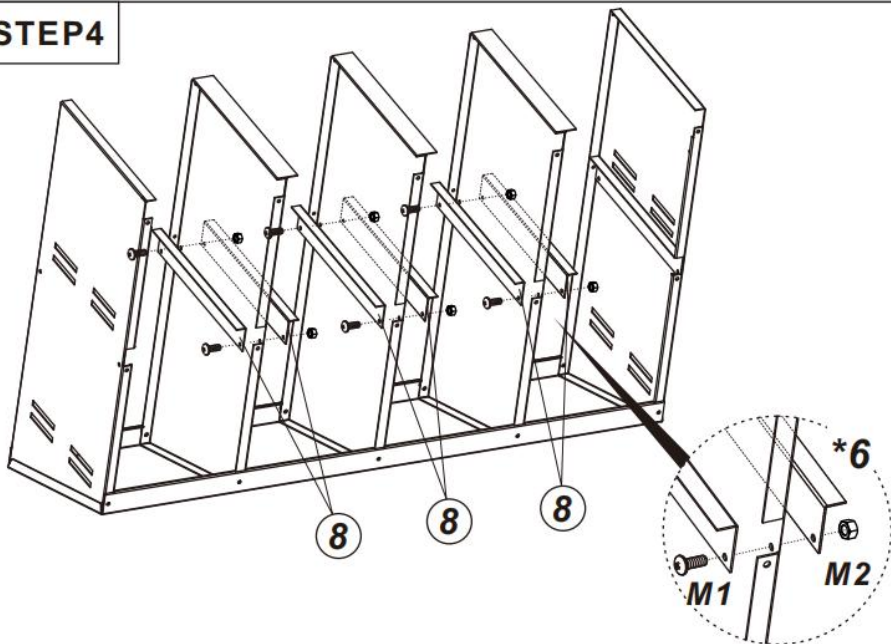


## ASSEMBLY GUIDE

### STEP 3

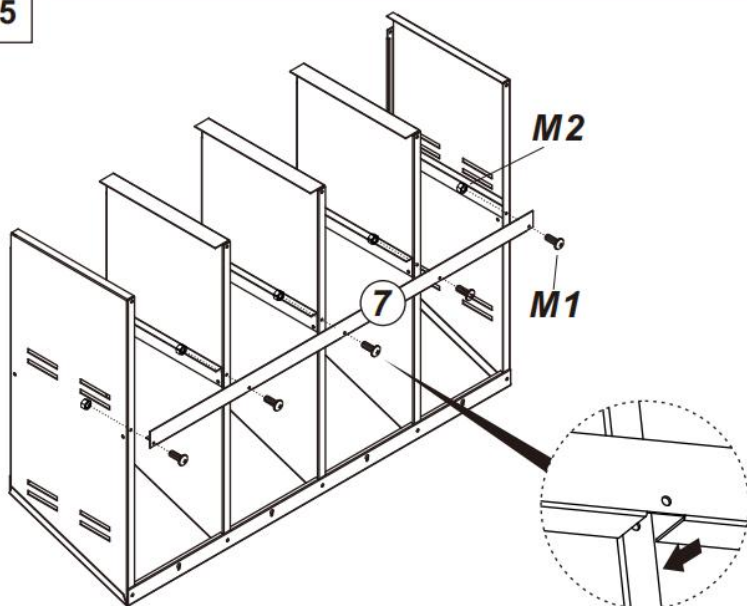


### STEP 4

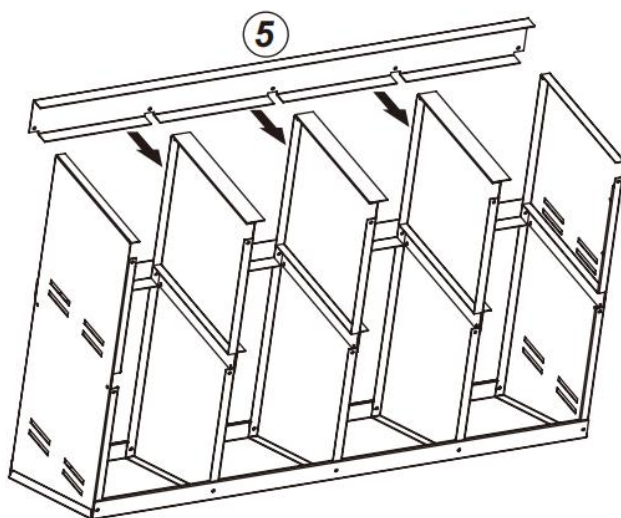


## ASSEMBLY GUIDE

## STEP 5

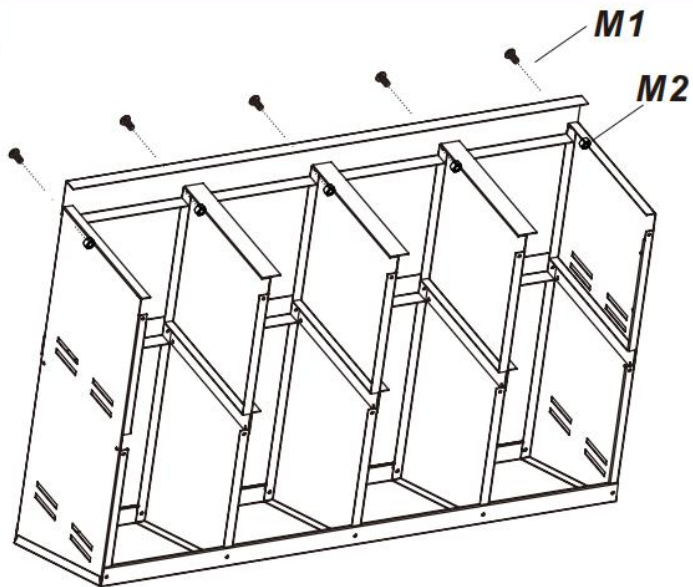


## STEP 6

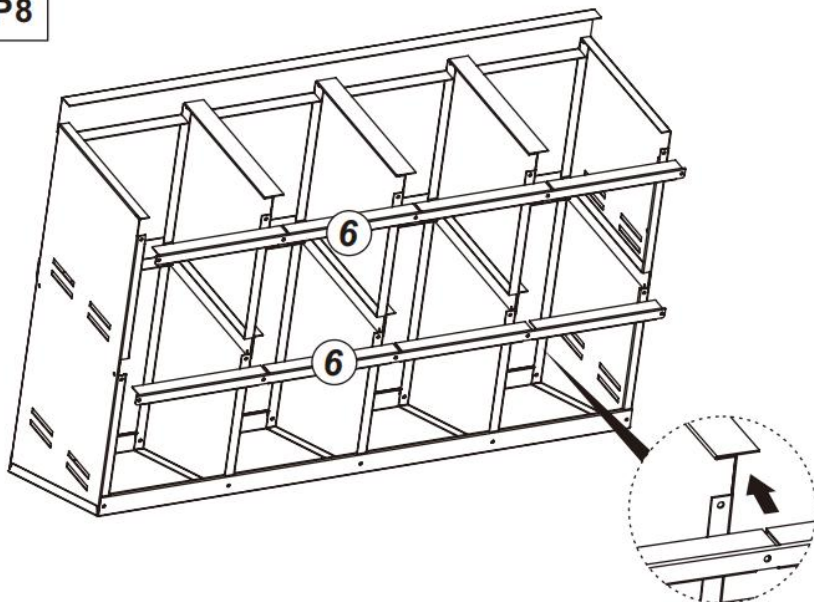


## ASSEMBLY GUIDE

**STEP 7**

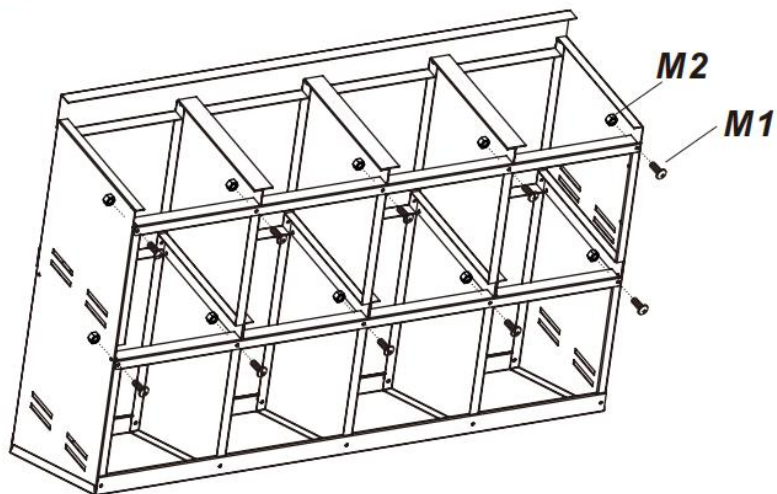


**STEP 8**

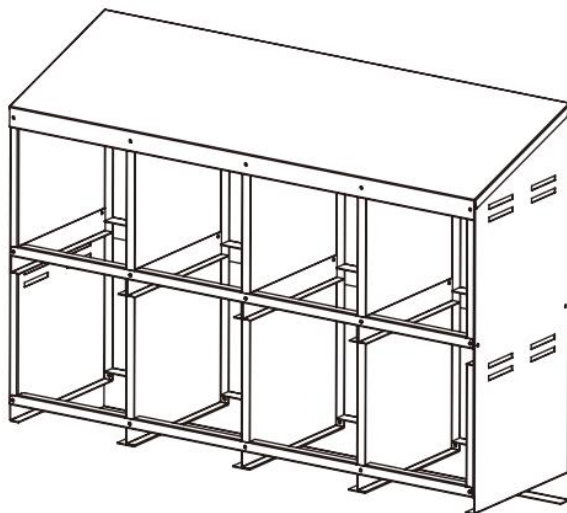


**ASSEMBLY GUIDE**

**STEP9**

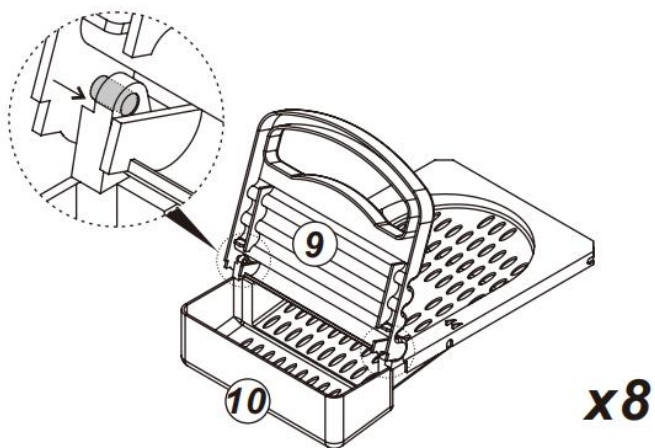


**STEP10**

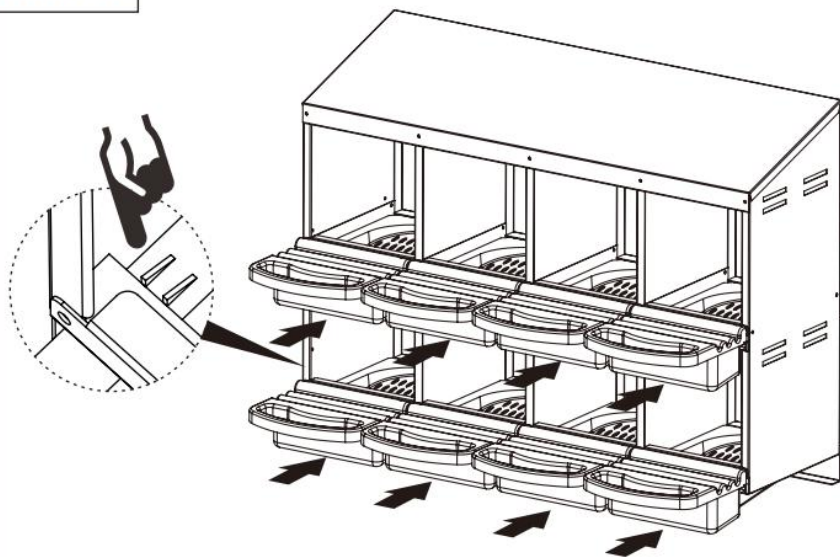


**ASSEMBLY GUIDE**

## STEP 11

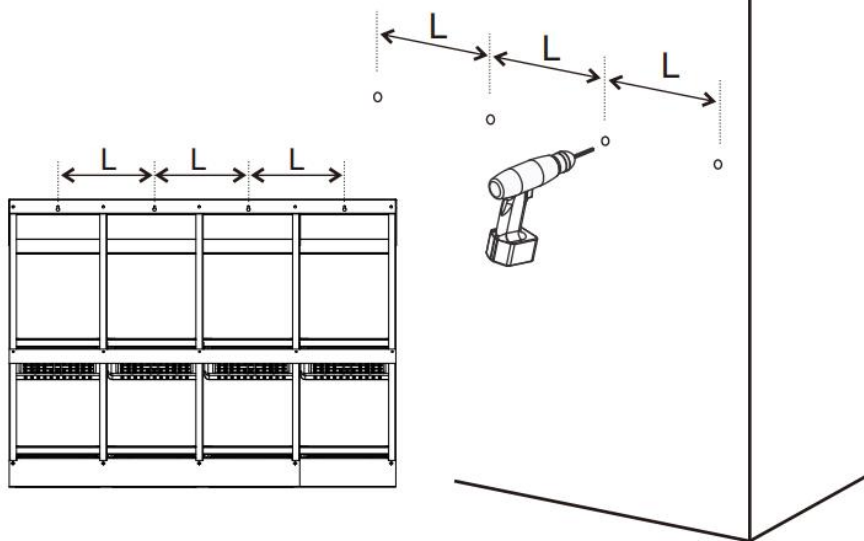


## STEP 12

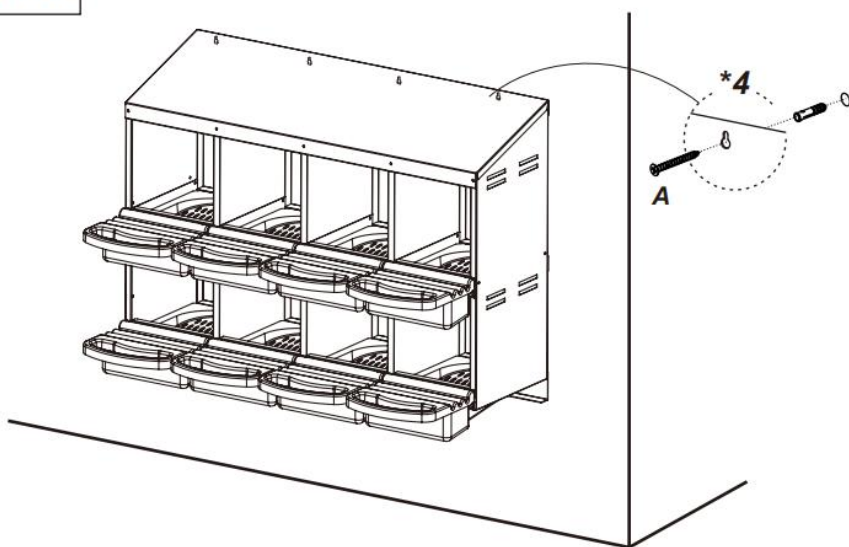


## ASSEMBLY GUIDE

### STEP 13



### STEP 14



Hersteller: Shanghai muxinmuyeyouxiangongsi

Adresse: Shuangchenglu 803nong11hao1602A-1609shi, Baoshanqu,  
Shanghai 200000 CN.

Nach AUS importiert: SIHAO PTY LTD. 1 ROKEVA STREETEASTWOOD  
NSW 2122 Australien

Importiert in die USA: Sanven Technology Ltd. Suite 250, 9166 Anaheim  
Place, Rancho Cucamonga, CA 91730

<b>EC</b>	<b>REP</b>
-----------	------------

E-CrossStu GmbH  
Mainzer Landstr.69, 60329 Frankfurt am Main.

<b>UK</b>	<b>REP</b>
-----------	------------

YH CONSULTING LIMITED.  
C/O YH Consulting Limited Office 147, Centurion  
House, London Road, Staines-upon-Thames,  
Surrey, TW18 4AX





**VEVOR**<sup>®</sup>  
TOUGH TOOLS, HALF PRICE

Technisch Support und E-Garantie-Zertifikat  
[www.vevor.com/support](http://www.vevor.com/support)

# **VEVOR<sup>®</sup>**

## **TOUGH TOOLS, HALF PRICE**

Technique Assistance et certificat de garantie électronique

[www.vevor.com/support](http://www.vevor.com/support)

## **NICHOIR À POULES**

**MODÈLE : EB-00 8**

We continue to be committed to provide you tools with competitive price.

"Save Half", "Half Price" or any other similar expressions used by us only represents an estimate of savings you might benefit from buying certain tools with us compared to the major top brands and does not necessarily mean to cover all categories of tools offered by us. You are kindly reminded to verify carefully when you are placing an order with us if you are actually saving half in comparison with the top major brands.



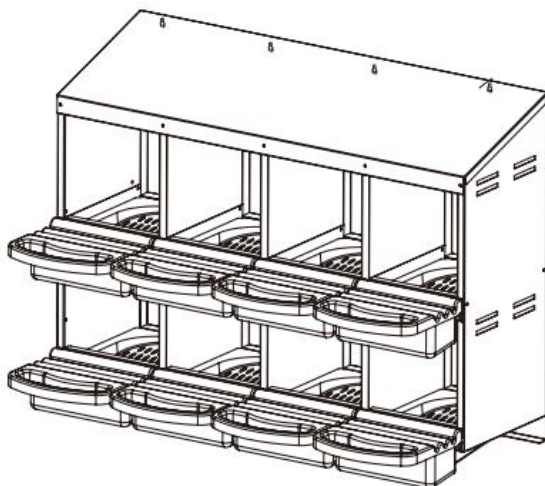


# VEVOR®

TOUGH TOOLS, HALF PRICE

## CHICKEN NEST BOX

MODÈLE : EB-00 8



### NEED HELP? CONTACT US!

Have product questions? Need technical support? Please feel free to contact us:

**Technical Support and E-Warranty Certificate**  
**[www.vevor.com/support](http://www.vevor.com/support)**

This is the original instruction, please read all manual instructions carefully before operating. VEVOR reserves a clear interpretation of our user manual. The appearance of the product shall be subject to the product you received. Please forgive us that we won't inform you again if there are any technology or software updates on our product.



Avertissement : Pour réduire le risque de blessure, l'utilisateur doit lire attentivement le manuel d'instructions.

## WARNING & PRECAUTIONS

### AVERTISSEMENT :

1. Portez des gants de protection lorsque vous utilisez des outils pour installer des panneaux fixes, ou faites appel à deux personnes pour vous aider à l'installation.
2. Lors de l'utilisation, veuillez d'abord lire ce manuel et il est recommandé de bien le conserver pour une utilisation ultérieure.

## PRODUCT DESCRIPTION

<b>Modèle</b>	EB-00 8
<b>Couleur</b>	Rouge & Noir
<b>Matériel</b>	Acier et PP à revêtement zingué
<b>Nombre de compartiments</b>	8 compartiments
<b>Taille du produit</b>	1060*525*800mm

Taille d'  
emballage

1185\*435\*290mm

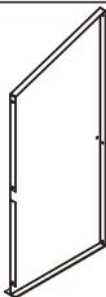
## PART LIST



① x1



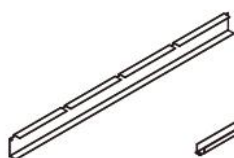
② x1



③ x3



④ x1



⑤ x1



⑥ x2



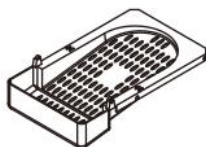
⑦ x1



⑧ x8



⑨ x8



⑩ x8



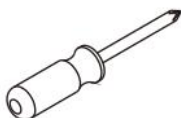
M1x40



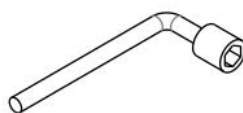
M2x40



Ax4



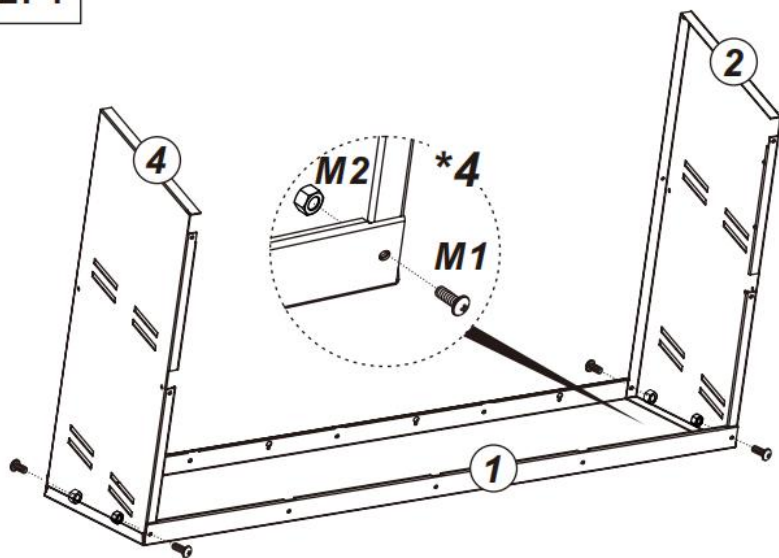
Bx1



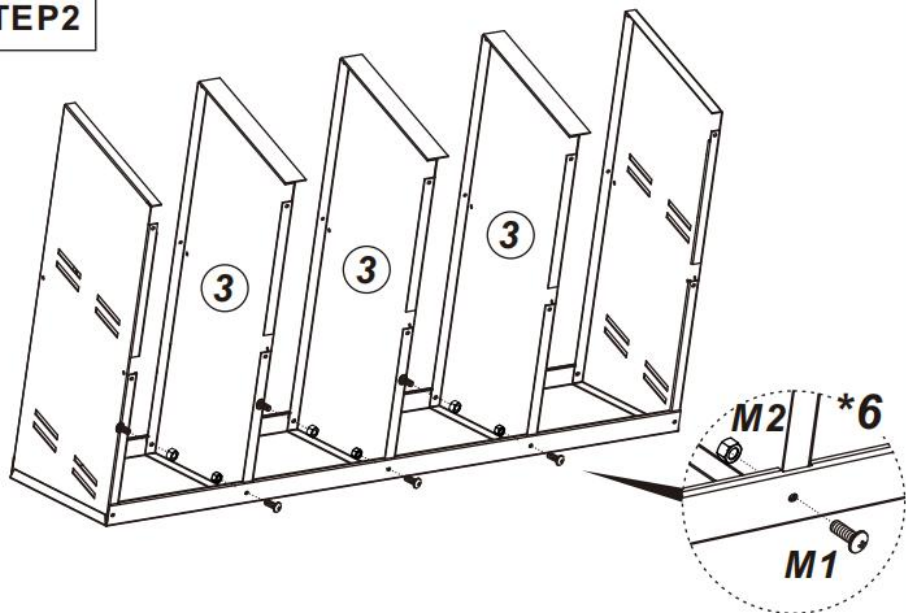
Cx1

## ASSEMBLY GUIDE

## STEP 1

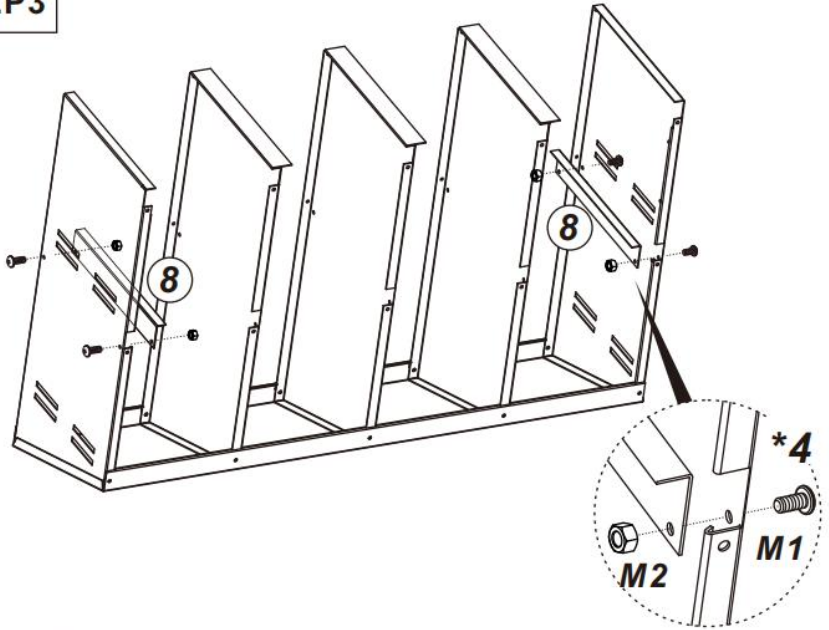


## STEP 2

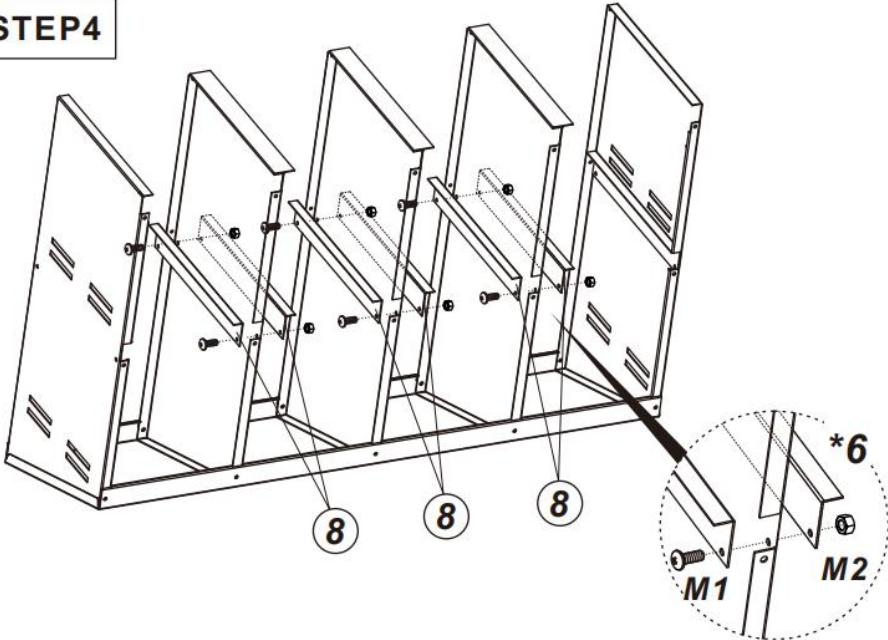


## ASSEMBLY GUIDE

### STEP 3

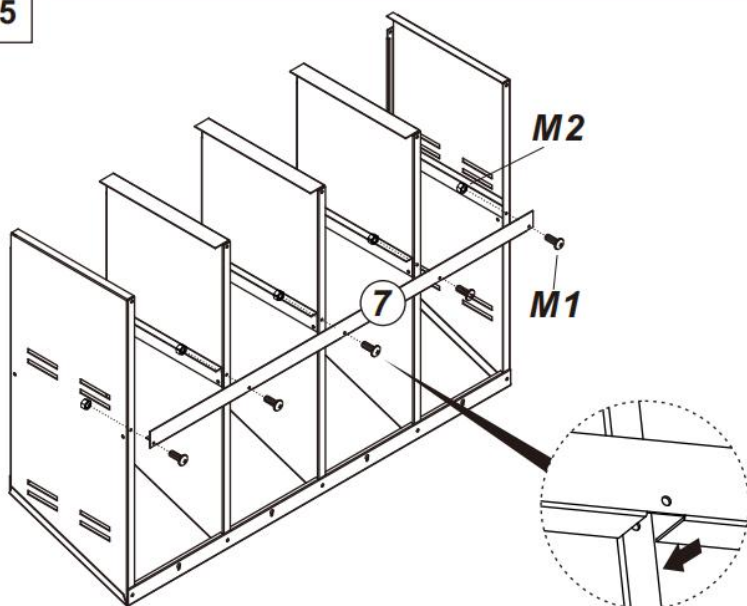


### STEP 4

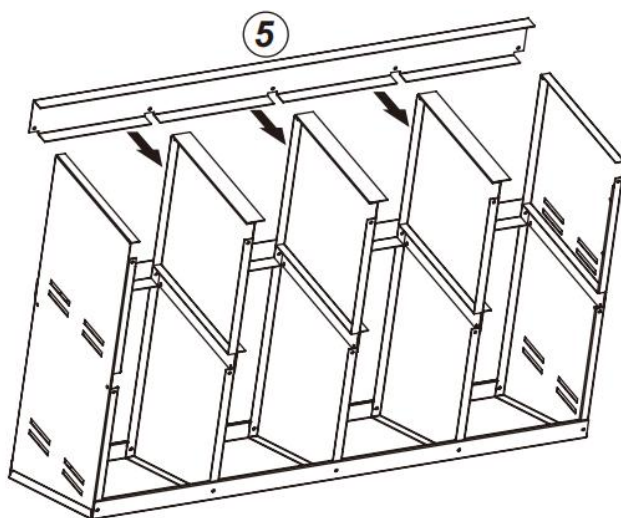


## ASSEMBLY GUIDE

## STEP 5

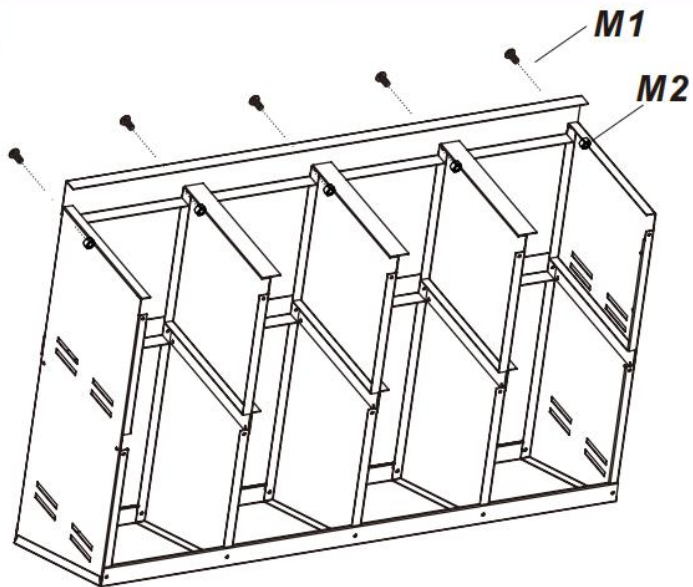


## STEP 6

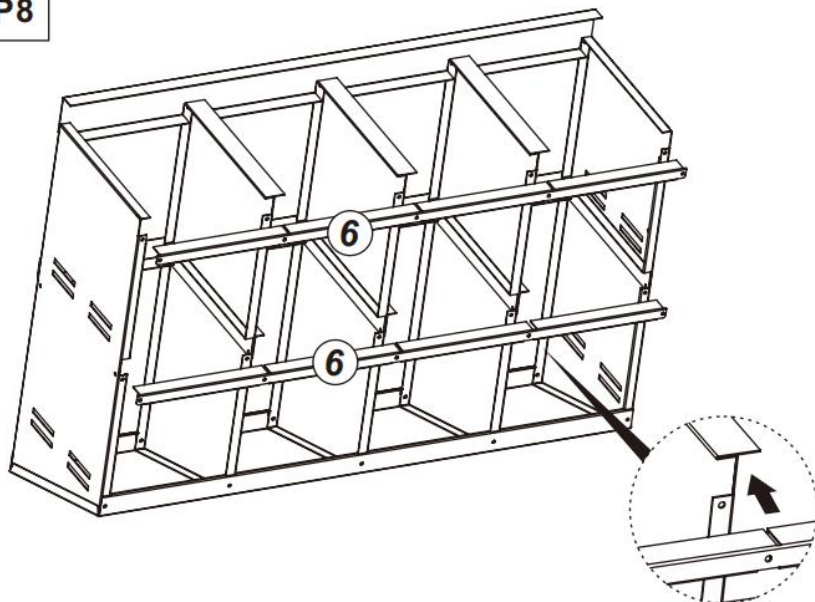


## ASSEMBLY GUIDE

**STEP 7**

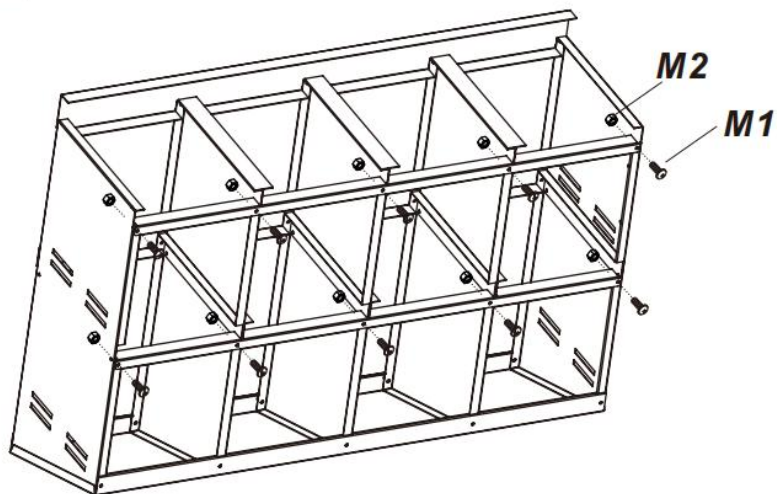


**STEP 8**

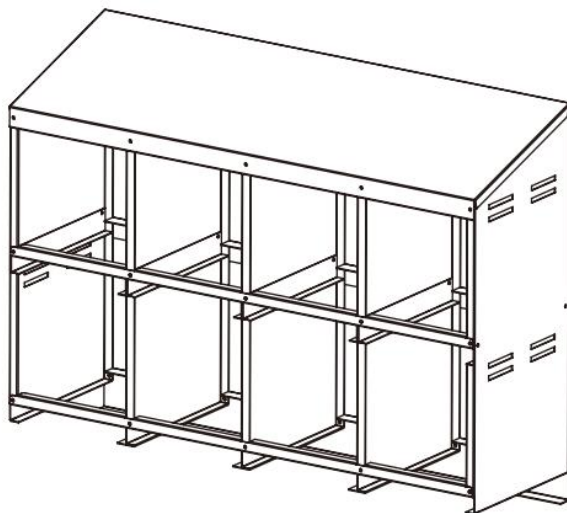


**ASSEMBLY GUIDE**

**STEP9**

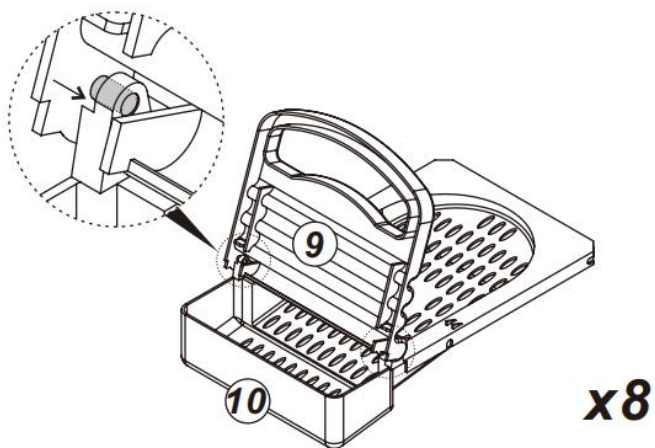


**STEP10**

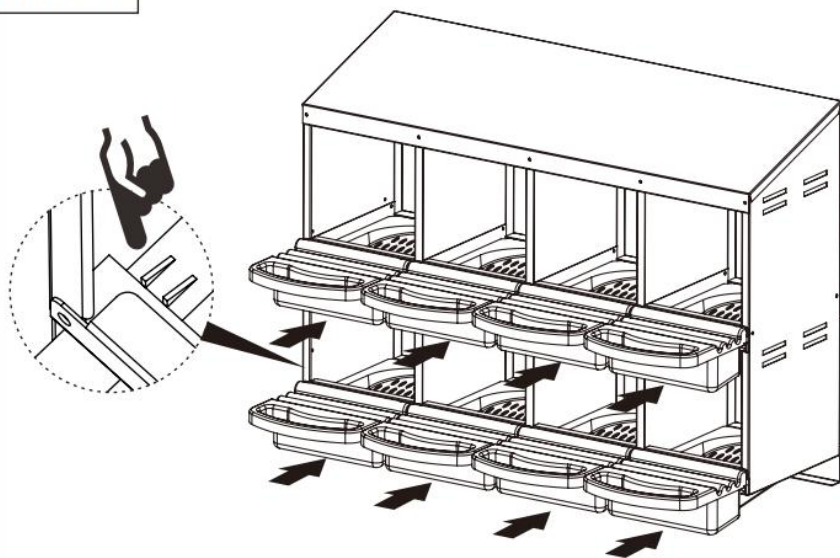


**ASSEMBLY GUIDE**

## STEP 11

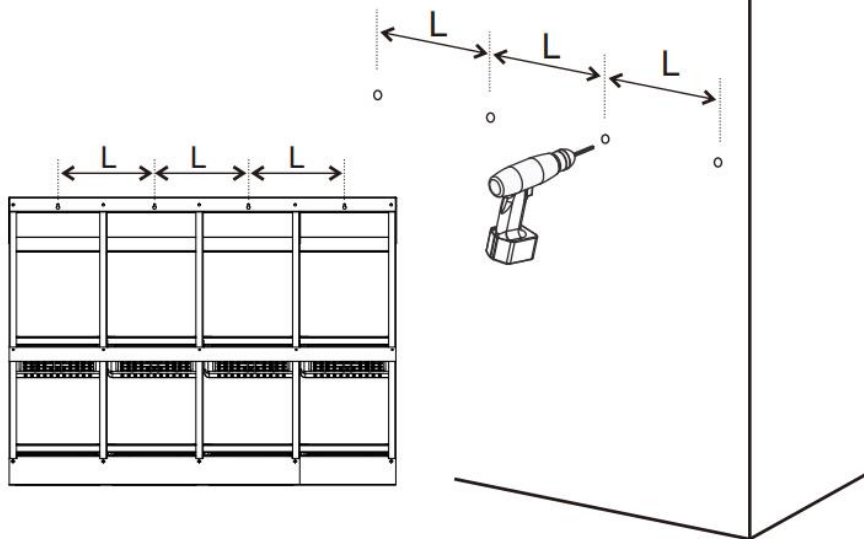


## STEP 12

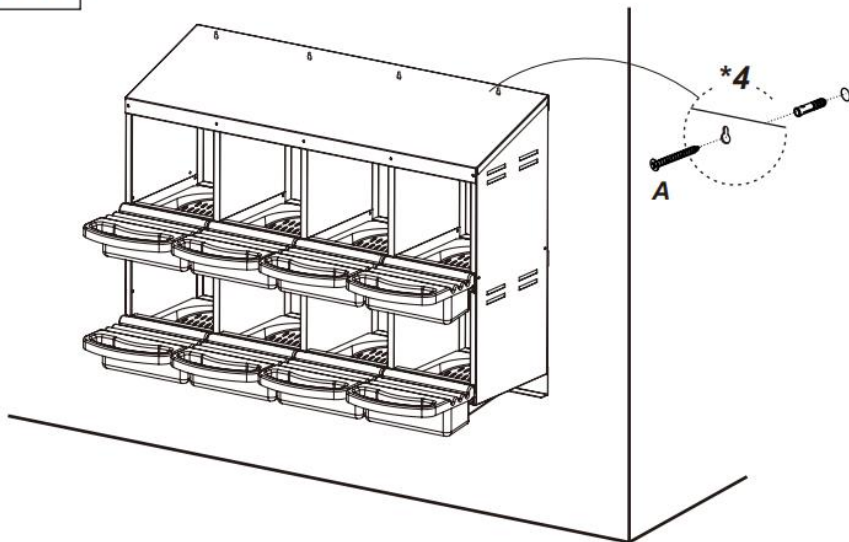


## ASSEMBLY GUIDE

### STEP 13



### STEP 14



Fabricant : Shanghaimuxinmuyeyouxiangongsi

Adresse : Shuangchenglu 803nong11hao1602A-1609shi, baoshanqu, Shanghai 200000 CN.

Importé en Australie : SIHAO PTY LTD. 1 ROKEVA STREETASTWOOD NSW 2122 Australie

Importé aux États-Unis : Sanven Technology Ltd. Suite 250, 9166 Anaheim Place, Rancho Cucamonga, CA 91730

<b>EC</b>	<b>REP</b>
-----------	------------

E-CrossStu GmbH  
Mainzer Landstr.69, 60329 Frankfurt am Main.

<b>UK</b>	<b>REP</b>
-----------	------------

YH CONSULTING LIMITED.  
C/O YH Consulting Limited Office 147, Centurion House, London Road, Staines-upon-Thames, Surrey, TW18 4AX





**VEVOR**<sup>®</sup>

**TOUGH TOOLS, HALF PRICE**

**Technique Assistance et certificat de garantie électronique**

**[www.vevor.com/support](http://www.vevor.com/support)**

# **VEVOR<sup>®</sup>**

## **TOUGH TOOLS, HALF PRICE**

Technisch Ondersteuning en e-garantiecertificaat [www.vevor.com/support](http://www.vevor.com/support)

## **KIPPENNESTKAST**

**MODEL: EB-00 8**

We continue to be committed to provide you tools with competitive price.

"Save Half", "Half Price" or any other similar expressions used by us only represents an estimate of savings you might benefit from buying certain tools with us compared to the major top brands and does not necessarily mean to cover all categories of tools offered by us. You are kindly reminded to verify carefully when you are placing an order with us if you are actually saving half in comparison with the top major brands.

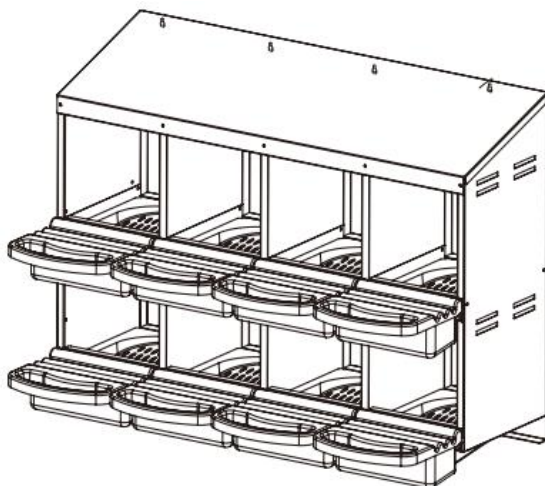


# VEVOR<sup>®</sup>

TOUGH TOOLS, HALF PRICE

## CHICKEN NEST BOX

MODEL: EB-00 8



### NEED HELP? CONTACT US!

Have product questions? Need technical support? Please feel free to contact us:

**Technical Support and E-Warranty Certificate**  
**[www.vevor.com/support](http://www.vevor.com/support)**

This is the original instruction, please read all manual instructions carefully before operating. VEVOR reserves a clear interpretation of our user manual. The appearance of the product shall be subject to the product you received. Please forgive us that we won't inform you again if there are any technology or software updates on our product.



Waarschuwing-Om het risico op letsel te verminderen, moet de gebruiker de handleiding zorgvuldig lezen.

## WARNING & PRECAUTIONS

### WAARSCHUWING :

1. Draag beschermende handschoenen wanneer u gereedschap gebruikt om vaste wegwijzers te installeren, of gebruik twee mensen om te helpen bij de installatie.
2. Lees bij gebruik eerst deze handleiding. Het is raadzaam deze goed te bewaren, zodat u deze later kunt bekijken.

## PRODUCT DESCRIPTION

<b>Model</b>	EB-00 8
<b>Kleur</b>	Rood & Zwart
<b>Materiaal</b>	Zinkgecoat staal en PP
<b>Aantal compartimenten</b>	8 compartimenten
<b>Product grootte</b>	1060*525*800mm

Verpakkingsgro  
otte

1185\*435\*290mm

## PART LIST



① x1



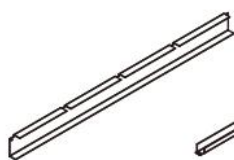
② x1



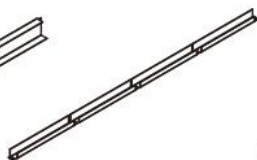
③ x3



④ x1



⑤ x1



⑥ x2



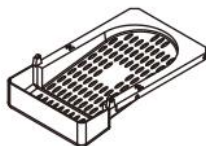
⑦ x1



⑧ x8



⑨ x8



⑩ x8



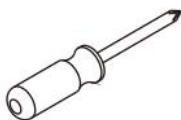
M1x40



M2x40



Ax4



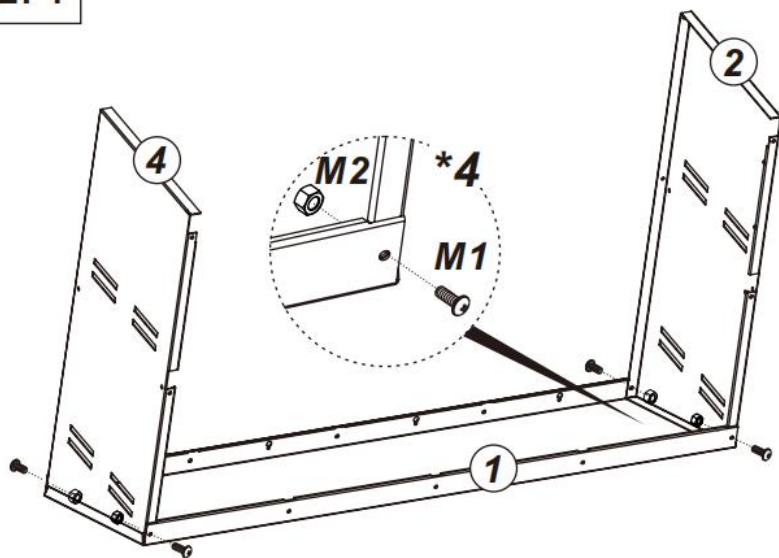
Bx1



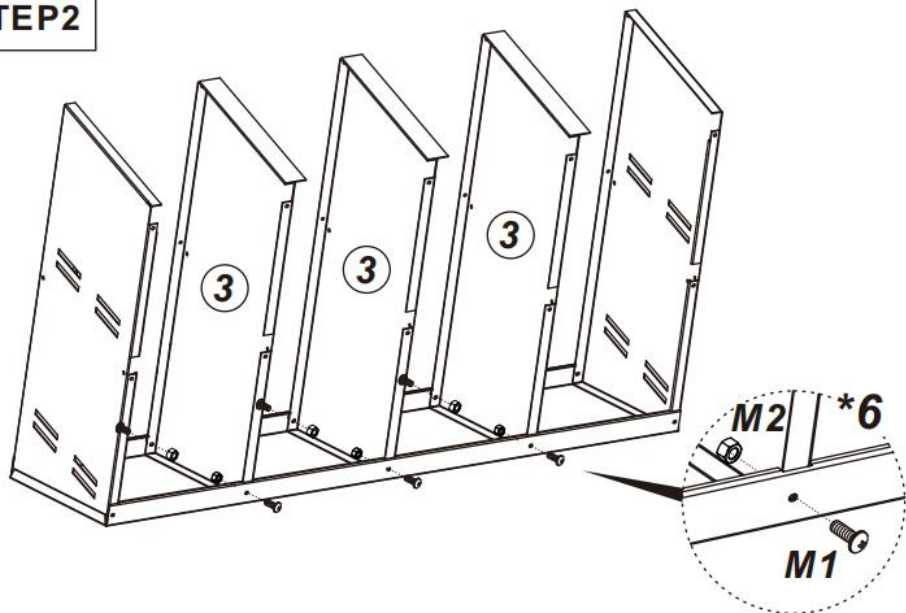
Cx1

## ASSEMBLY GUIDE

## STEP 1

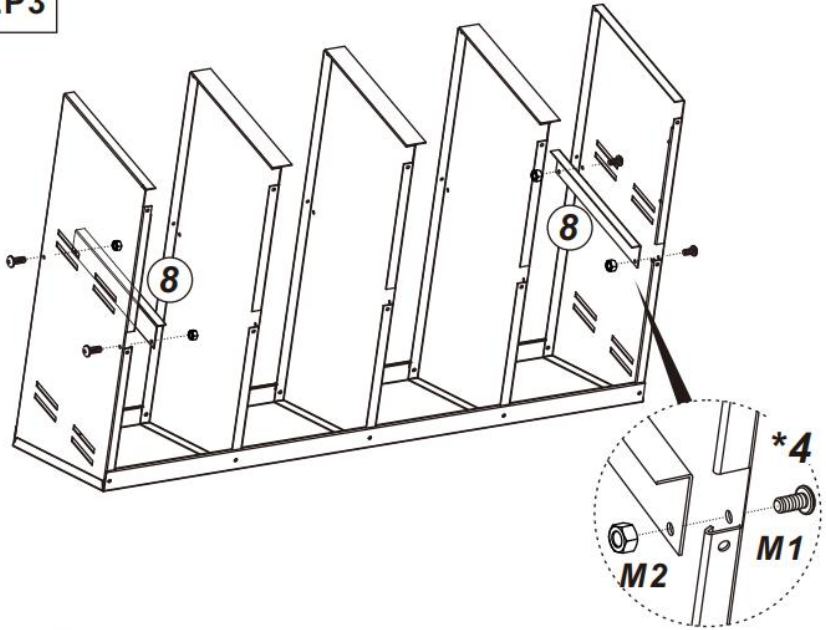


## STEP 2

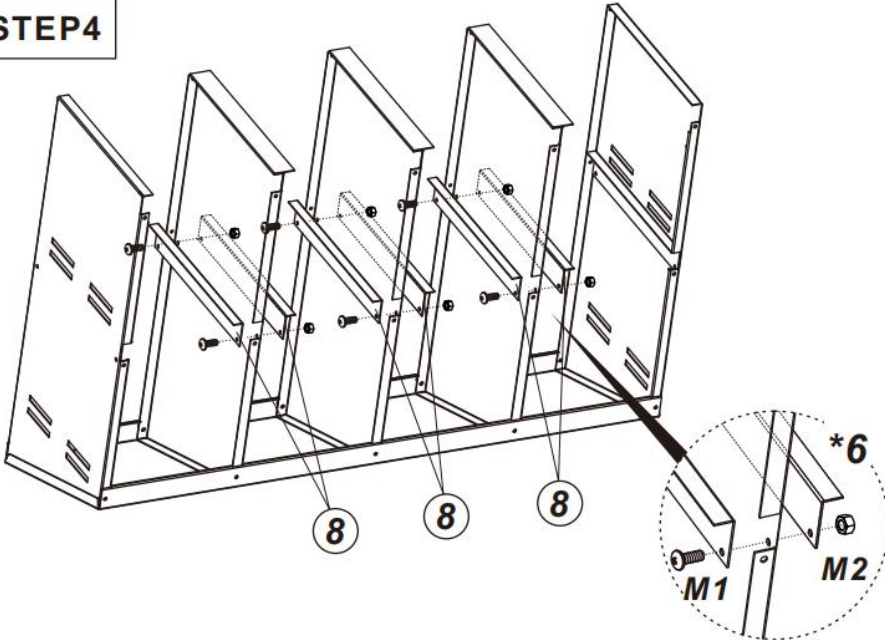


## ASSEMBLY GUIDE

### STEP 3

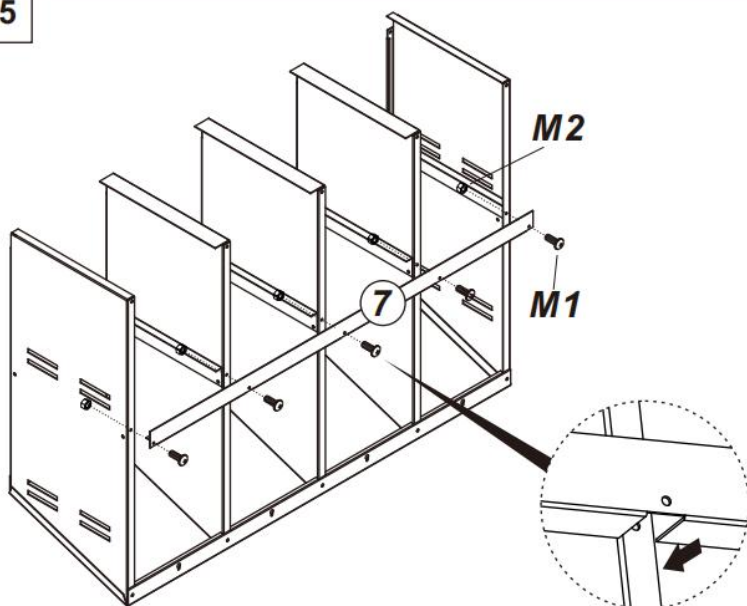


### STEP 4

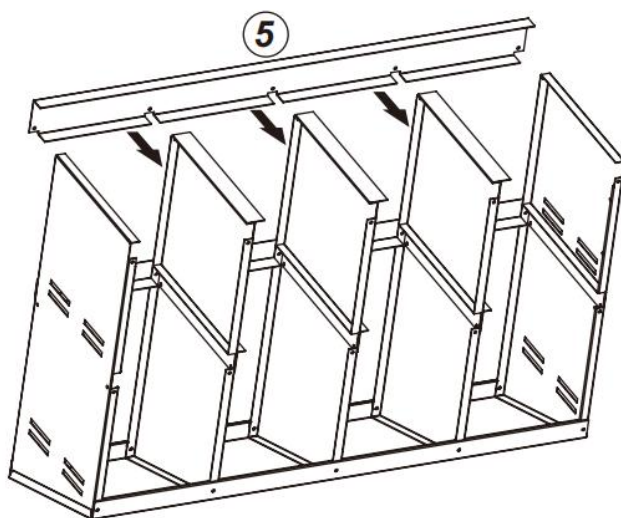


## ASSEMBLY GUIDE

## STEP 5

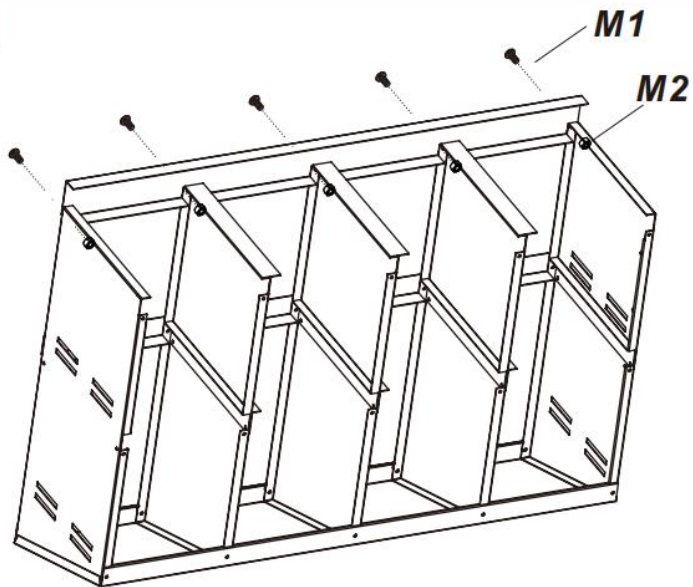


## STEP 6

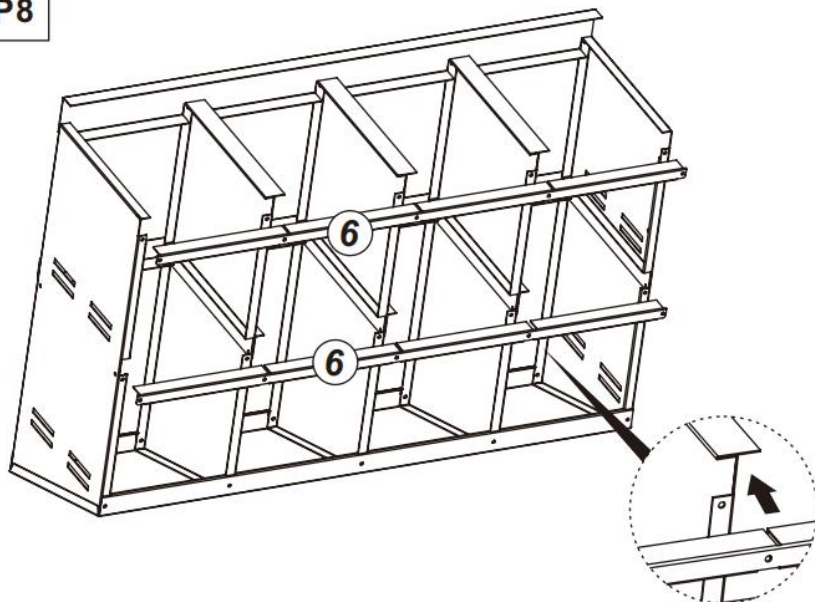


## ASSEMBLY GUIDE

**STEP 7**

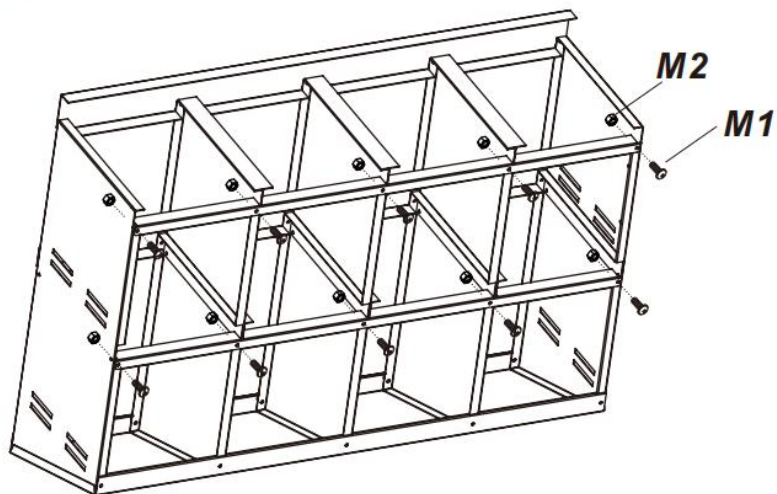


**STEP 8**

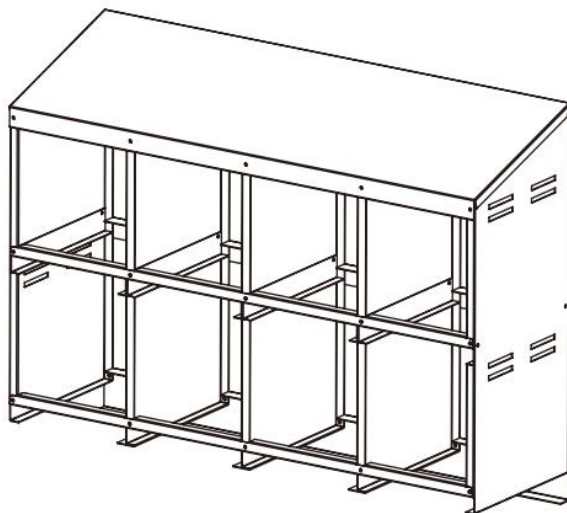


**ASSEMBLY GUIDE**

**STEP9**

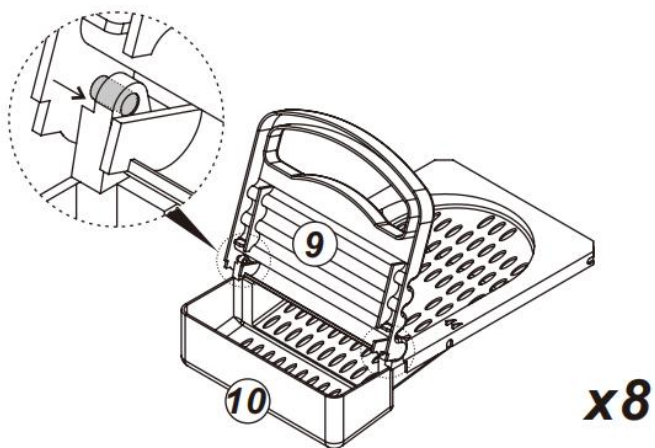


**STEP10**

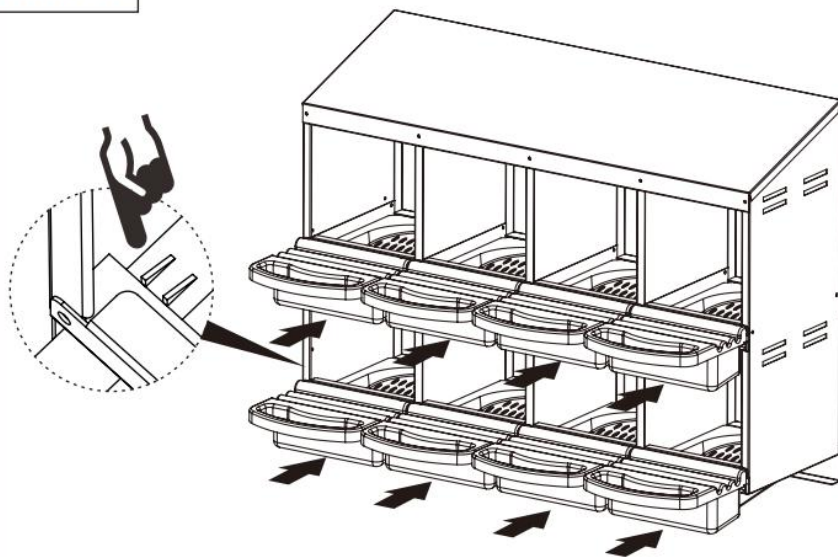


**ASSEMBLY GUIDE**

## STEP 11

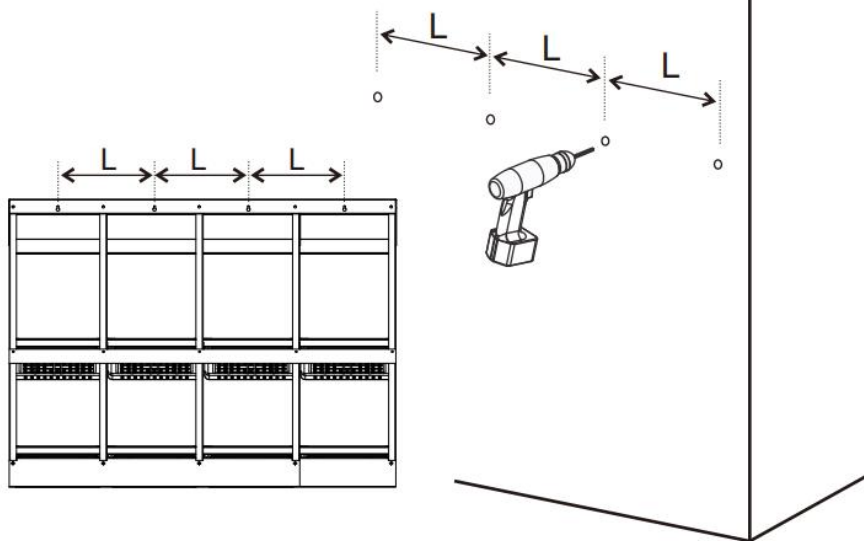


## STEP 12

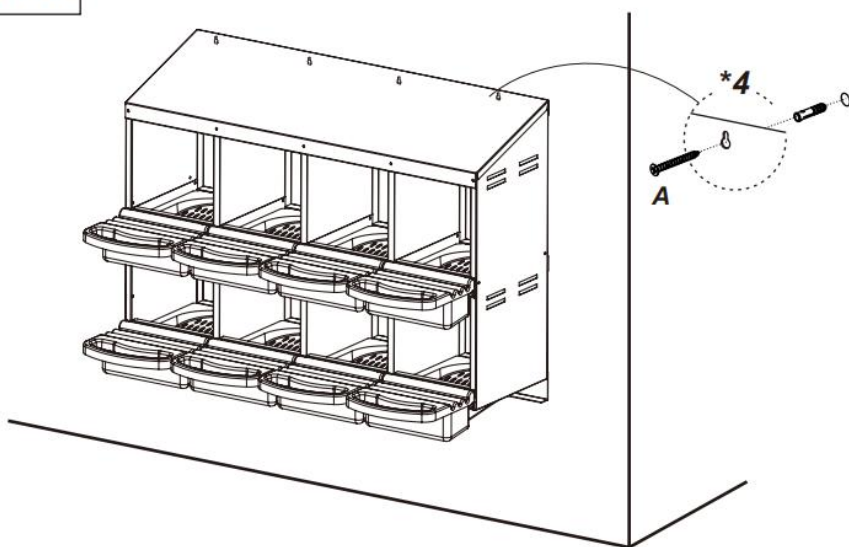


## ASSEMBLY GUIDE

### STEP 13



### STEP 14



Fabrikant: Shanghaimuxinmuyeyouxiangongsi

Adres: Shuangchenglu 803nong11hao1602A-1609shi, baoshanqu, shanghai 200000 CN.

Geïmporteerd naar AUS: SIHAO PTY LTD. 1 ROKEVA  
STREETEASTWOOD NSW 2122 Australië

Geïmporteerd naar de VS: Sanven Technology Ltd. Suite 250, 9166  
Anaheim Place, Rancho Cucamonga, CA 91730

<b>EC</b>	<b>REP</b>
-----------	------------

E-CrossStu GmbH  
Mainzer Landstr.69, 60329 Frankfurt am Main.

<b>UK</b>	<b>REP</b>
-----------	------------

YH CONSULTING LIMITED.  
C/O YH Consulting Limited Office 147, Centurion  
House, London Road, Staines-upon-Thames,  
Surrey, TW18 4AX





**VEVOR**<sup>®</sup>

**TOUGH TOOLS, HALF PRICE**

**Technisch Ondersteuning en e-garantiecertificaat**

**[www.vevor.com/support](http://www.vevor.com/support)**

# **VEVOR®**

**TOUGH TOOLS, HALF PRICE**

Teknisk Support och e-garanticertifikat [www.vevor.com/support](http://www.vevor.com/support)

## **KYCKLINGBOLÅDA**

**MODELL: EB-00 8**

We continue to be committed to provide you tools with competitive price.

"Save Half", "Half Price" or any other similar expressions used by us only represents an estimate of savings you might benefit from buying certain tools with us compared to the major top brands and does not necessarily mean to cover all categories of tools offered by us. You are kindly reminded to verify carefully when you are placing an order with us if you are actually saving half in comparison with the top major brands.

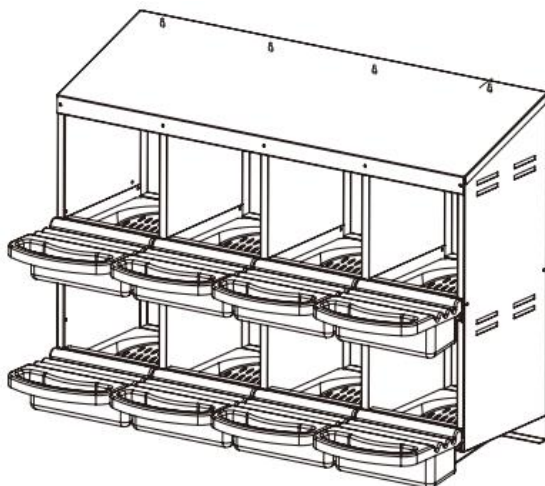


# VEVOR®

TOUGH TOOLS, HALF PRICE

## CHICKEN NEST BOX

MODELL: EB-00 8



### NEED HELP? CONTACT US!

Have product questions? Need technical support? Please feel free to contact us:

**Technical Support and E-Warranty Certificate**  
**[www.vevor.com/support](http://www.vevor.com/support)**

This is the original instruction, please read all manual instructions carefully before operating. VEVOR reserves a clear interpretation of our user manual. The appearance of the product shall be subject to the product you received. Please forgive us that we won't inform you again if there are any technology or software updates on our product.



Varning - För att minska risken för skada måste användaren läsa instruktionerna noggrant.

## WARNING & PRECAUTIONS

### VARNING :

1. Använd skyddshandskar när du använder verktyg för att installera fasta skyltar, eller använd två personer för att hjälpa till med installationen.
2. När du använder den, vänligen läs den här bruksanvisningen först, och det rekommenderas att du förvarar den väl för efterföljande användning.

## PRODUCT DESCRIPTION

<b>Modell</b>	EB-00 8
<b>Färg</b>	Röd & Svart
<b>Material</b>	Z inc-belagd stål & PP
<b>Antal fack</b>	8 fack
<b>Produktstorlek</b>	1060*525*800mm
<b>Förpackningsstorlek</b>	1185*435*290mm

## PART LIST



① x1



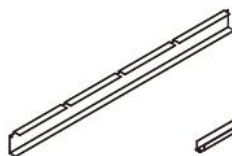
② x1



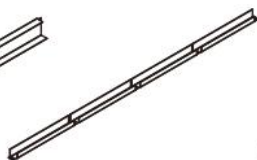
③ x3



④ x1



⑤ x1



⑥ x2



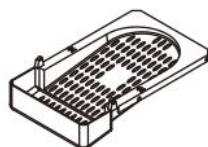
⑦ x1



⑧ x8



⑨ x8



⑩ x8



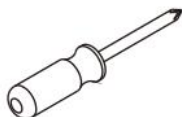
M1x40



M2x40



Ax4



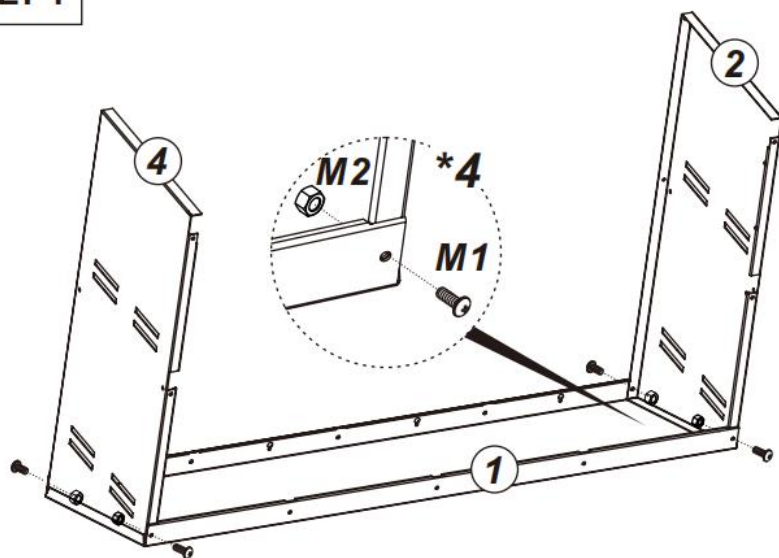
Bx1



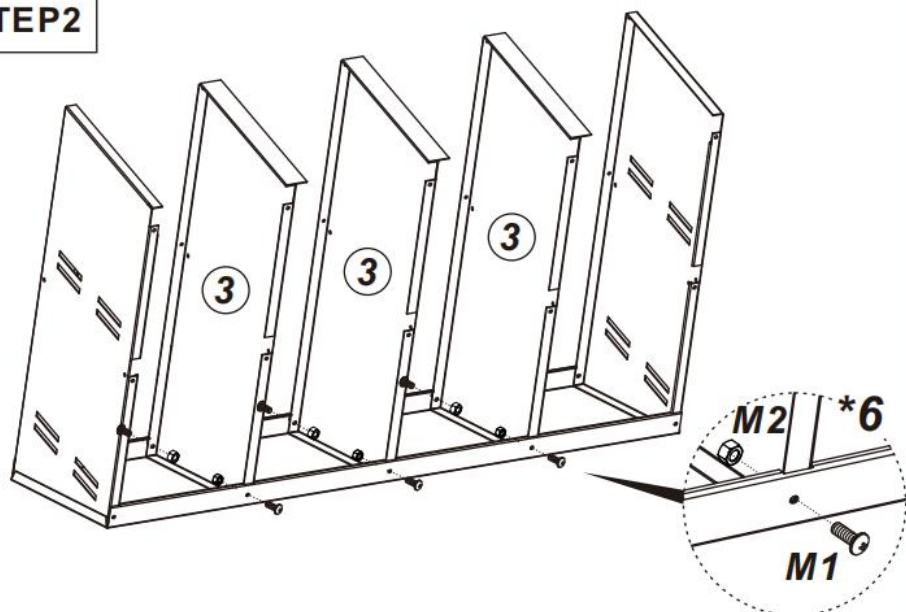
Cx1

# ASSEMBLY GUIDE

## STEP 1

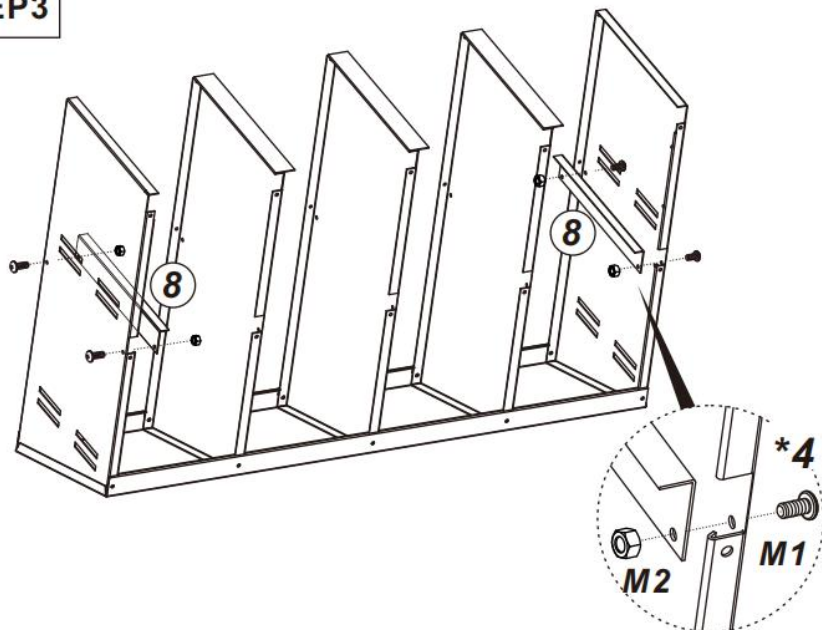


## STEP 2

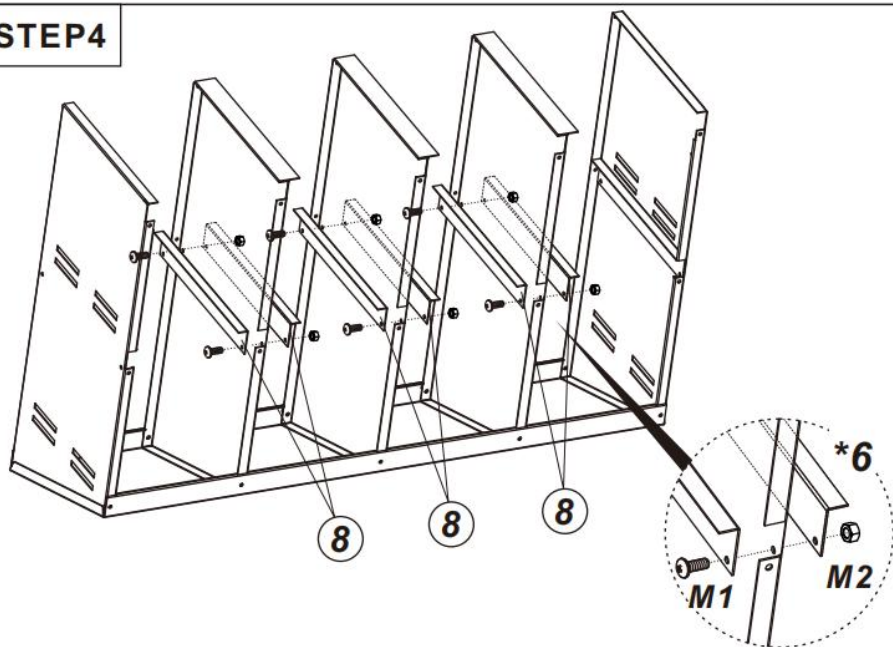


# ASSEMBLY GUIDE

## STEP 3

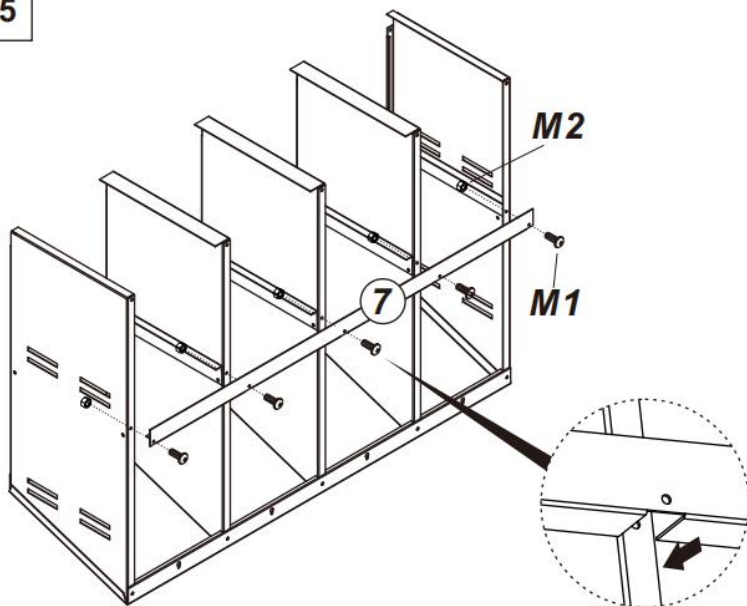


## STEP 4

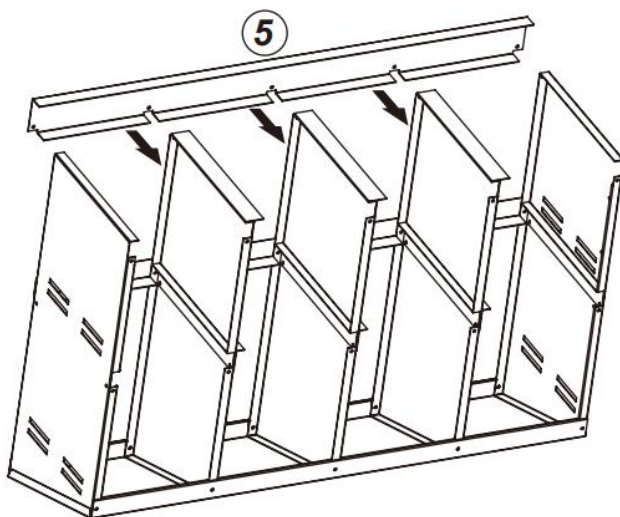


## ASSEMBLY GUIDE

### STEP 5

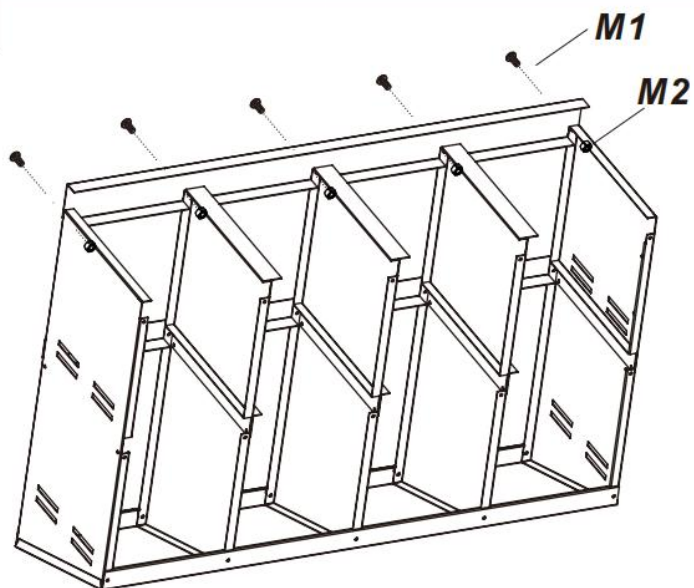


### STEP 6

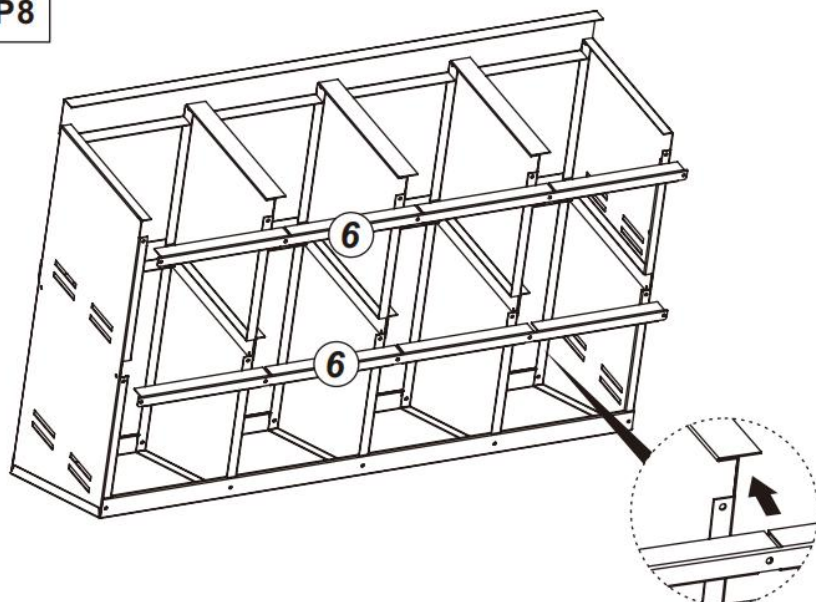


# ASSEMBLY GUIDE

**STEP 7**

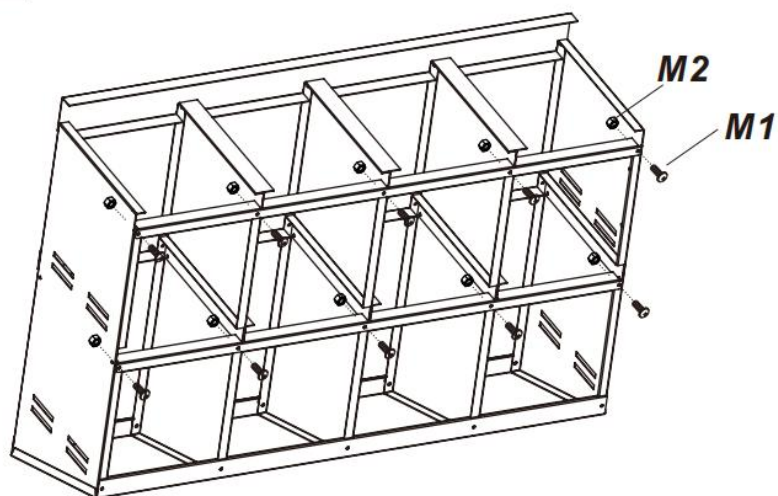


**STEP 8**

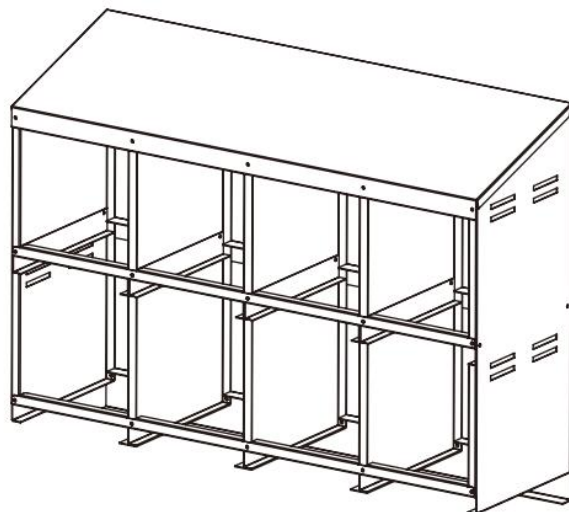


## ASSEMBLY GUIDE

### STEP 9

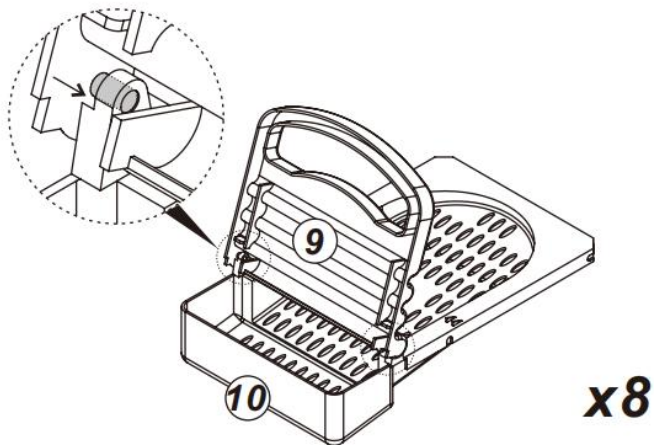


### STEP 10

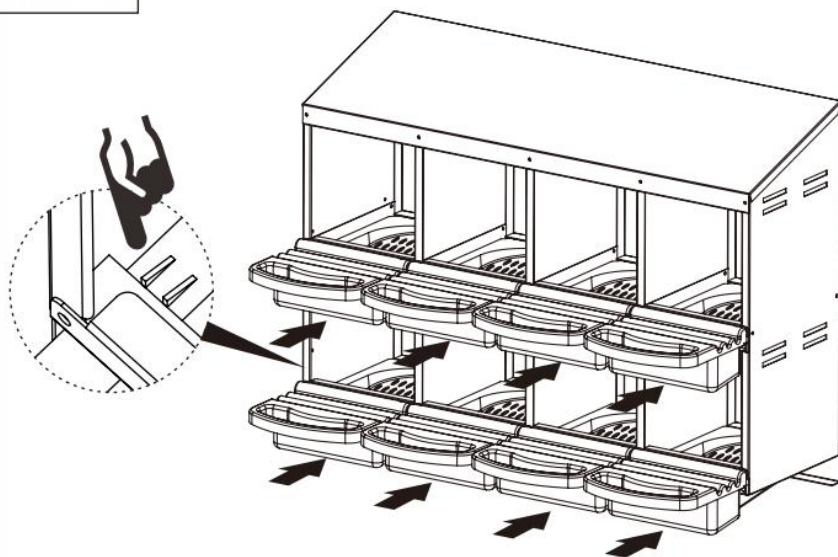


# ASSEMBLY GUIDE

## STEP 11

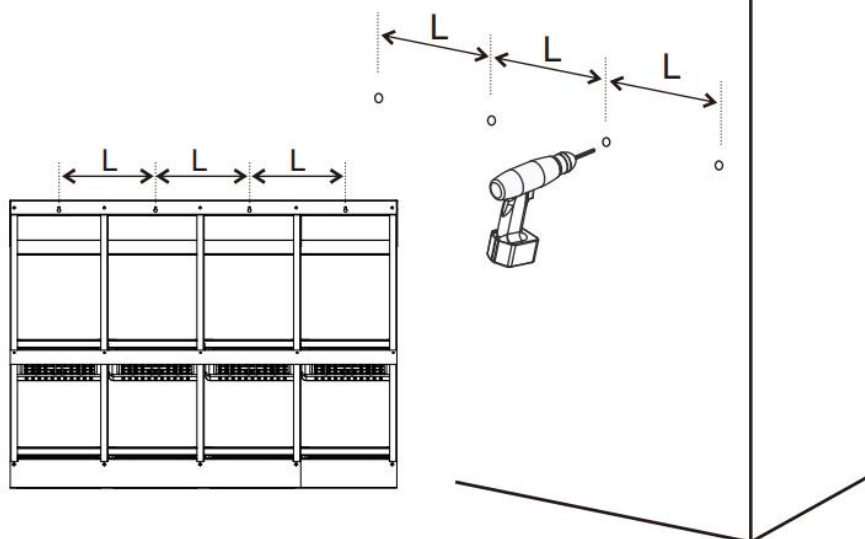


## STEP 12

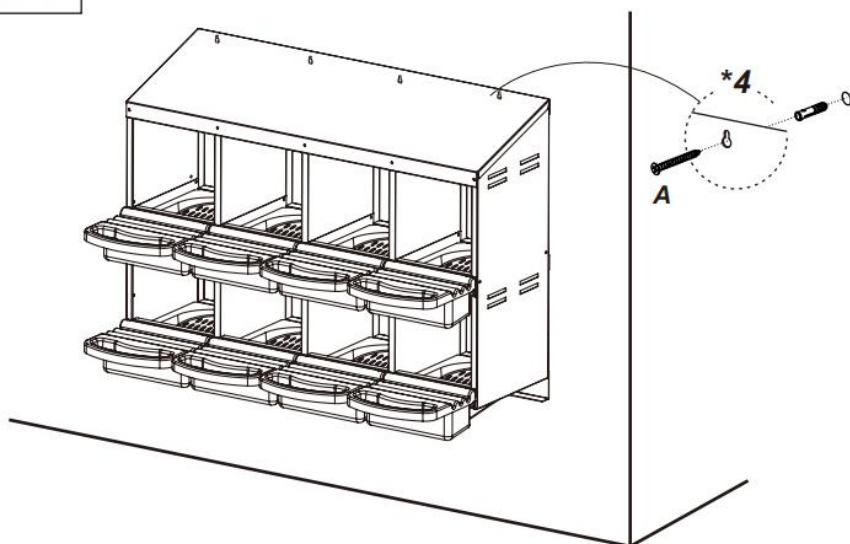


# ASSEMBLY GUIDE

## STEP 13



## STEP 14



Tillverkare: Shanghaimuxinmuyeyouxiangongsi

Adress: Shuangchenglu 803nong11hao1602A-1609shi, baoshanqu, shanghai 200000 CN.

Importerad till AUS: SIHAO PTY LTD. 1 ROKEVA STREETEASTWOOD NSW 2122 Australien

Importerad till USA: Sanven Technology Ltd. Suite 250, 9166 Anaheim Place, Rancho Cucamonga, CA 91730

<b>EC</b>	<b>REP</b>
-----------	------------

E-CrossStu GmbH  
Mainzer Landstr.69, 60329 Frankfurt am Main.

<b>UK</b>	<b>REP</b>
-----------	------------

YH CONSULTING LIMITED.  
C/O YH Consulting Limited Office 147, Centurion House, London Road, Staines-upon-Thames, Surrey, TW18 4AX





**VEVOR**<sup>®</sup>  
TOUGH TOOLS, HALF PRICE

Teknisk Support och e-garanticertifikat  
[www.vevor.com/support](http://www.vevor.com/support)