

Use & Care Guide
Manual de Uso y Cuidado

Kenmore®

Upright Freezer/ Refrigerator

Congelador/ Refrigerador vertical

Model/Modelo: 111.22142 – White – 14 cu. ft.

Transform SR Brands Management
Hoffman Estates, IL 60179 U.S.A.
www.kenmore.com



Record Model/ Serial Numbers

Please read and save these instructions

This Use & Care Guide provides specific operating instructions for your model. Use your unit only as instructed in this guide. These instructions are not meant to cover every possible condition and situation that may occur. Common sense and caution must be practiced when installing, operating, and maintaining any appliance.

Please record your model and serial numbers below for future reference. This information is found either on the upper left wall inside the freezer (upright models) or the left exterior wall (chest models).

Model Number: 111. _____

or _____ Serial

Number: _____ Purchase

Date: _____

IMPORTANT

Use only soap and water to clean serial plate.

Table of Contents


Record Model/Serial Numbers.....	2
Important Safety Instructions.....	2
Appliance Setup.....	5
Appliance Use.....	6
Temperature Control.....	6
Care & Cleaning.....	7
Power or Appliance Failure.....	8
Door Removal/Reversal.....	9
Before You Call.....	12
Warranty.....	14
Service.....	Back Cover

Important Safety Instructions

Safety Precautions

Do not attempt to install or operate your unit until you have read the safety precautions in this Use & Care Guide. Safety items throughout this manual are labeled with a Danger, Warning, or Caution based on the risk type.

Definitions

 This is the safety alert symbol. It is used to alert you to potential personal injury hazards. Obey all safety messages that follow this symbol to avoid possible injury or death.

DANGER

DANGER indicates an imminently hazardous situation which, if not avoided, will result in death or serious injury.

WARNING

WARNING indicates a potentially hazardous situation which, if not avoided, could result in death or serious injury.

CAUTION

CAUTION indicates a potentially hazardous situation which, if not avoided, may result in minor or moderate injury.

IMPORTANT

Indicates installation, operation, or maintenance information which is important but not hazard-related.

Important Safety Instructions



DANGER



DANGER Risk of fire or explosion. Flammable refrigerant used. Do not use mechanical devices to defrost refrigerator. Do not puncture refrigerant tubing.

DANGER Risk of fire or explosion. Flammable refrigerant used. To be repaired only by trained service personnel. Do not puncture refrigerant tubing.



CAUTION



CAUTION Risk of fire or explosion. Flammable refrigerant used. Consult repair manual/owner's guide before attempting to service this product. All safety precautions must be followed.

CAUTION Risk of fire or explosion. Dispose of properly in accordance with federal or local regulations. Flammable refrigerant used.

CAUTION Risk of fire or explosion due to puncture of refrigerant tubing. Follow handling instructions carefully. Flammable refrigerant used.



WARNING

Read all safety instructions before using your new appliance.

For Your Safety

- Do not store or use gasoline or other flammable liquids in the vicinity of this or any other appliance. Read product labels for warnings regarding flammability and other hazards.
- Do not operate the unit in the presence of explosive fumes.
- Remove and discard any spacers used to secure the basket during shipping. Small

- objects are a choke hazard to children.
- Remove all staples from the carton. Staples can cause severe cuts and also destroy finishes if they come in contact with other appliances or furniture.

Child Safety

Destroy or recycle the carton, plastic bags, and any exterior wrapping material immediately after the unit is unpacked. Children should **never** use these items to play. Cartons covered with rugs, bedspreads, plastic sheets or stretch wrap may become airtight chambers and can quickly cause suffocation.

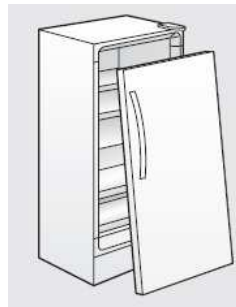
Proper disposal of your appliance

 **DANGER: Risk of child entrapment!**

Child entrapment and suffocation are not problems of the past. Junked or abandoned appliances are still dangerous – even if they will sit for “just a few days.” If you are getting rid of your appliance, please follow the instructions below to help prevent accidents.

Before you throw away your old unit:

- Remove door.
- Leave shelves in place within freezer so children may not easily climb inside.
- Have refrigerant removed by a qualified service technician.



Important Safety Instructions

IMPORTANT

Your old unit may have a cooling system that used CFCs or HCFCs (chlorofluorocarbons or hydrochlorofluorocarbons). CFCs and HCFCs are believed to harm stratospheric ozone if released to the atmosphere. Other refrigerants may cause harm to the environment if released to the atmosphere. If you are throwing away your old unit, make sure the refrigerant is removed for proper disposal by a qualified technician. If you intentionally release refrigerant, you may be subject to fines and imprisonment under the provisions of environmental legislation.



WARNING

These guidelines must be followed to ensure that safety mechanisms in this unit will operate properly.

Electrical Information

- **The unit must be plugged into its own dedicated 10 amp, 115 Volt, 60 Hz. AC only electric outlet.** The power cord of the appliance is equipped with a three-prong grounding plug for your protection against shock hazards. It must be plugged directly into a properly grounded three-prong receptacle. The receptacle must be installed in accordance with local codes and ordinances. Consult a qualified electrician. **Do not use an extension cord or adapter plug.**
 - Immediately repair or replace any power cord that becomes frayed or damaged.
 - Never unplug the appliance by pulling on the power cord. Always grip the plug firmly, and pull straight out from the receptacle to prevent damaging the power cord.
 - Unplug the appliance before cleaning and before defrosting to avoid electrical shock.
- Performance may be affected if the voltage varies by 10% or more. Operating the unit with insufficient power can damage the motor. Such damage is not covered under the warranty.
 - Do not plug the unit into an outlet controlled by a wall switch or pull cord to prevent the appliance from being turned off accidentally.
 - Avoid connecting unit to a Ground Fault Circuit Interruptor (GFCI).

Grounding type wall receptacle



Do not, under any circumstances, cut, remove, or bypass the grounding prong.



Power cord with 3-prong grounded plug

Appliance Setup

This Use & Care Guide provides specific operating instructions for your model. Use the unit only as instructed in this Use & Care Guide. **Before starting the appliance, follow these important setup steps.**

Installation

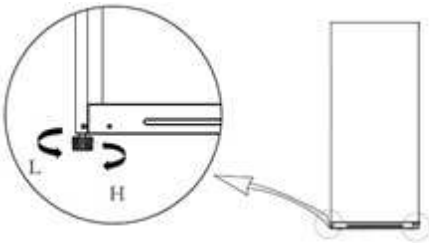
- Choose a place that is near a grounded electrical outlet. Do Not use an extension cord or an adapter plug.
- For the most efficient operation, the freezer should be located where surrounding temperatures will not exceed 110°F (43°C). Temperatures of 32°F (0°C) and below will NOT affect freezer operation. Additional compressor heaters are not recommended.
- Allow space around the unit for good air circulation. Leave a 1-inch (25.4 mm) space at the back and on top and a 3/8-inch (9.5 mm) space on the sides of the appliance for adequate circulation.

Leveling

The freezer must have all bottom corners resting firmly on a solid floor that is strong enough to support a fully loaded freezer.

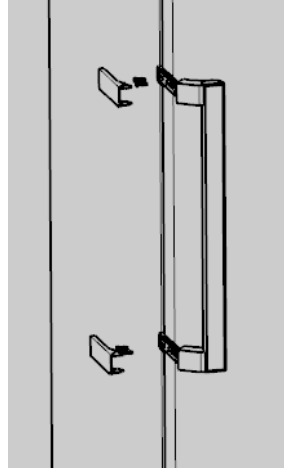
It is Very Important for the appliance to be level in order to function properly. If not level, the door may be misaligned and not close or seal properly, causing cooling, frost, or moisture problems.

The appliance is equipped with adjustable front leveling feet. Turn the foot clockwise to raise the side of the unit. Turn counter-clockwise to lower the side. Adjust each side as needed until front of unit is level. Also adjust so that front of the unit is 1/4" higher than back, so that door stays closed.



Door Handle Installation

- Locate and remove the handle brace caps and four handle attachment flathead screws from the accessory bag.
- Remove the four roundhead screws from the left edge of the appliance door.
- Use the four flathead screws to attach the handle braces to the door edge.
- Insert the two tabs on the narrow end of the cap into the slots on the brace, and then snap the wide end down into place.



Cleaning

- Wash any removable parts, the freezer interior, and exterior with mild detergent and warm water. Wipe dry. Do not use harsh cleaners on these surfaces.
- Do not use razor blades or other sharp instruments, which can scratch the appliance surface when removing adhesive labels. Any glue left from the tape can be removed with a mixture of warm water and mild detergent, or touch the residue with the sticky side of tape already removed. Do not remove the serial plate.

Energy Saving Ideas for Freezer Mode



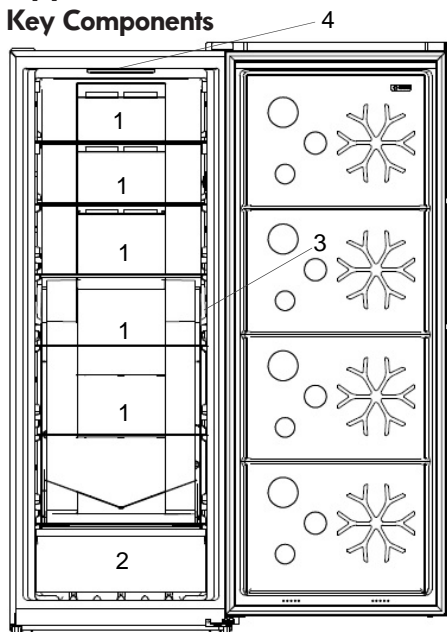
- The freezer should be located in the coolest area of the room, away from heat producing appliances or heating ducts, and out of direct sunlight.
- Let hot foods cool to room temperature before placing in freezer. Overloading

the freezer forces the compressor to run longer. Foods that freeze too slowly may lose quality or spoil.

- Be sure to wrap foods properly, and wipe containers dry before placing them in the freezer. This cuts down on frost build-up inside the freezer.
- Do not line freezer shelves and bins with aluminum foil, wax paper, or paper toweling. Liners interfere with cold air circulation, reducing freezer efficiency.
- Organize and label food to reduce lid openings and extended searches.
- Remove as many items as needed at one time, and close door as soon as possible.

Appliance Use

Key Components



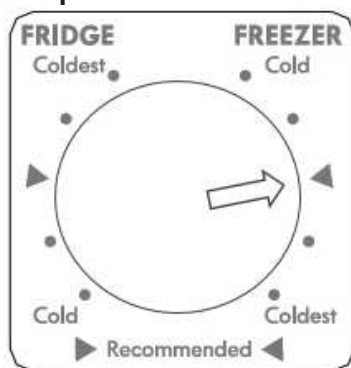
1. Glass shelf
2. Drawer Bin
3. Temperature Control
4. LED Lighting

- The interior temperature of this appliance can be set so that the entire unit can be used as either a Freezer or a Refrigerator.
- To turn the appliance on, plug the power cord into a properly grounded 3 prong electrical outlet. The green Power On light located on the temperature control will illuminate.
- For safe food storage, after plugging in

allow two hours if used as a refrigerator and four hours if used as a freezer for the appliance to cool down completely to the set temperature. The compressor will run continuously for the first several hours.

- Foods that are already frozen may be placed in the freezer after the first few hours of operation. Unfrozen foods should **NOT** be loaded into the freezer until the freezer has operated for four hours.
- When loading the freezer, freeze only three pounds of fresh food per cubic foot of freezer space at one time. Distribute packages to be frozen evenly throughout the freezer.

Temperature Control



The temperature control is located midway down on the right inner cabinet wall.

Turn the arrow dial into the FREEZER zone to use unit as a freezer. Turn dial into FRIDGE zone to use unit as a refrigerator.

You will encounter some resistance at the top center when turning the dial into one zone or the other. Push past the resistance area to move the arrow into the new zone.

Once in a zone, turn the dial so that the arrow points to the temperature setting of your choice.

In each zone a triangle figure indicates the recommended temperature setting for most situations of use.

After making an adjustment, allow several hours for the internal temperature to stabilize at the new setting.

Automatic Defrost

The appliance is equipped with automatic defrost capability so that you do not have to manually defrost. The cooling element of the unit is regularly heated to melt the frost that forms on it. The resulting water drains through a duct at the back of the unit and into a concealed pan at the base of the unit where it evaporates. Should any frost form on the unit interior walls, remove food and store it elsewhere. Then unplug the unit, wait long enough for the frost to melt, and wipe up the moisture with a dry towel.

Rear Wheels

The appliance is equipped with rear wheels to help you roll it into or out of a location. **CAUTION:** Obtain the aid of an assistant if the appliance feels too heavy for you to safely move it.

Interior LED Lighting

The appliance features interior LED lighting, which is more effective and longer lasting than incandescent bulbs. However, in the unlikely event that the LED fails to light, call 1-844-553-6667 to schedule repair service to replace it.

Easy Open Door Handle

The appliance is equipped with a door handle that decreases the amount of force needed to open the door. Grasp the handle and pull to the side and then straight back to easily open the door.

Care & Cleaning



CAUTION

Damp objects stick to cold metal surfaces. Do not touch inferior metal surfaces with wet or damp hands.

Cleaning the Inside

Wash inside surfaces of the appliance with a solution of two tablespoons of baking soda in one quart (1.1 liters) warm water. Rinse and dry. Wring excess water out of the sponge or cloth when cleaning in the area of the controls, or any electrical parts.

Wash the removable parts and baskets with the baking soda solution mentioned above, or mild detergent and warm water.

Never use metallic scouring pads, brushes, abrasive cleaners, or alkaline solutions on any interior surface. Do not wash removable parts in a dishwasher.

Cleaning the Outside

Wash the cabinet with warm water and mild liquid detergent. Rinse well and wipe dry with a clean soft cloth. **Never** use metallic scouring pads, brushes, abrasive cleaners, or alkaline solutions on any exterior surface.

Vacation and Moving Tips



WARNING

If leaving the appliance door open while on vacation, make certain that children cannot get into the freezer and become entrapped.

Short Vacations: Leave the appliance operating during vacations of less than three weeks.

Long Vacations: If the appliance will not be used for several months:

- Remove all food and unplug the power cord.
- Clean and dry the interior thoroughly.
- Leave the appliance door open slightly, blocking it open if necessary, to prevent odor and mold growth.

Moving: When moving the appliance, follow these guidelines to prevent damage:

- Disconnect the power cord plug from the wall outlet.
- Remove foods and clean the appliance interior.
- Secure all loose items such as bins and shelves by taping them securely in place to prevent damage.
- In a moving vehicle, secure freezer in an upright position to prevent movement. Also protect outside of freezer with a blanket, or similar item.

NOTE

If unit is turned off or unplugged for several hours, do not open appliance door unnecessarily. This will maintain the coldest temperature inside and reduce the recovery time to desired temperature once the unit is turned back on.

Power or Appliance Failure

If a power failure occurs, frozen foods will stay frozen for at least 24 hours if the appliance door is kept closed. If the power failure continues, pack seven or eight pounds of dry ice into the appliance every 24 hours. Look in the Yellow Pages under Dry Ice, Dairies, or Ice Cream manufacturers for local dry ice suppliers. Always wear gloves and use caution when handling dry ice.

If the appliance has stopped operating, see **Appliance does not run** in the Troubleshooting Guide. If you cannot solve the problem, call an authorized servicer immediately. If the appliance remains off for several hours, follow the directions above for the use of dry ice during a power failure. If necessary, take the food to a local locker plant until the appliance is ready to operate. Look in the Yellow Pages under Frozen Food Locker Plants.

Door Reversal

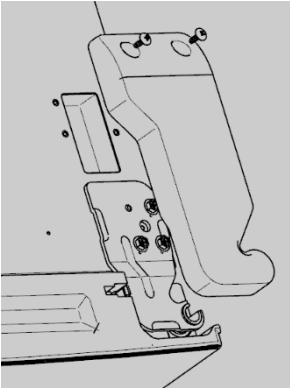
The appliance is shipped with the hinge on the right so that the door swings open from left to right. Perform the following procedure to reverse the door swing. **NOTE:** A left side top hinge cover, top hinge, lower hinge and door closer are shipped with the appliance for use in this procedure.

WARNING: Unplug the refrigerator before performing the door reversal procedure. Failure to unplug may result in serious injury or death from electrical shock.

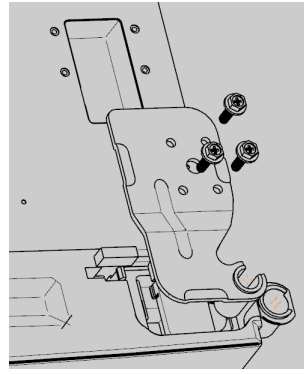
CAUTION: To avoid personal injury or property damage, obtain assistance from another person to perform the door reversal procedure.

CAUTION: Obtain a securely balanced stool or platform to stand on when performing steps of the procedure that have to do with the top of the appliance cabinet.

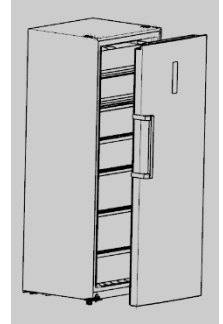
1. Remove the two screws securing the right hinge cover to the top of the cabinet. Depress the tab on the cover side of the wire harness and pull the two sections of the harness apart. Push the cabinet section of the harness into the hole on the top of the cabinet.



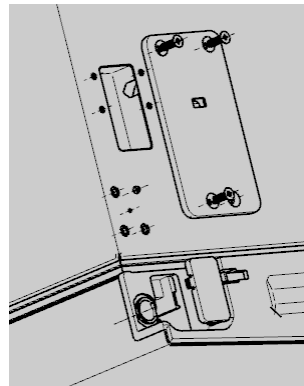
2. Obtain the aid of an assistant to steady the door. Once the hinge is removed the door may swing free of the cabinet. Unscrew the 3 bolts on the upper hinge and remove the right hinge by lifting up. Retain the bolts for left hinge attachment.



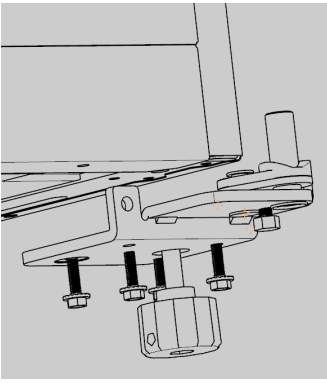
3. Slightly open the door on the handle side for ease of removal. With the aid of an assistant raise the door up from the bottom hinge. Set door aside.



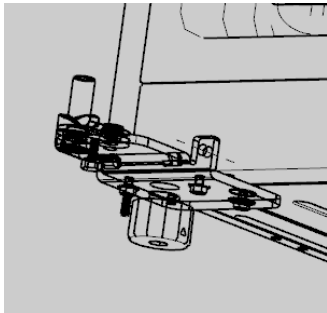
4. Remove the 3 screws from the cover plate on the cabinet left front corner. Remove cover plate and use the screws to reattach it to the cabinet right corner.



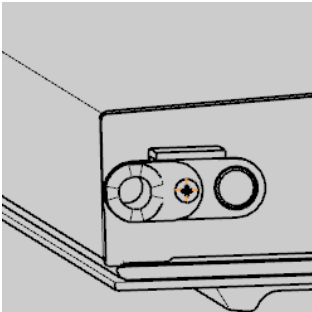
5. With the aid of an assistant, lay the appliance flat on its back. Remove the leveling foot from each side of the bottom. Remove the 5 screws attaching the right bottom hinge to the cabinet. Remove the hinge and retain the 5 screws for left bottom hinge attachment.



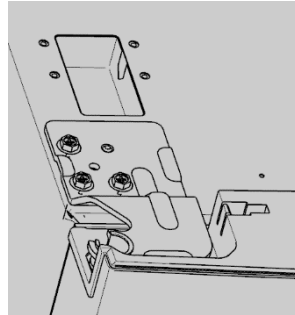
6. Remove the plug from the front bottom left of cabinet and insert it into the hole on the front bottom right. Remove the screw (if present) from the underside of the front bottom edge. Use the 5 screws from step 6 to attach the left lower hinge to the left side of the appliance bottom. Reinsert the leveling footon both sides of the cabinet.



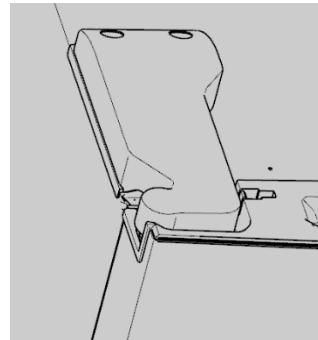
7. Remove the metal door stopper and plastic door closer from the lower right corner of the door. Use the removed screw to attach the door stopper and left door closer to lower left corner of door.



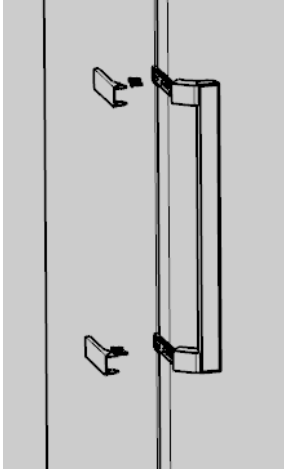
8. With the aid of an assistant, carefully raise the appliance back to upright position. **NOTE:** Once the appliance is raised back up to vertical position, it must remain upright for 6 hours before plugging in to avoid damage to internal components.
9. With aid of assistant, mount the door onto the lower left hinge. Insert the hinge pin into the door, and use the 3 bolts removed in step 2 to attach the left top hinge to left top corner of cabinet.



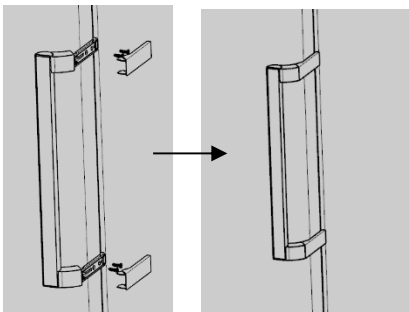
10. Use a flat blade screwdriver to carefully pry the wire harness base out of its clip in the right hinge cover. Carefully insert harness base into clip in left hinge cover. Pull cabinet wire harness section up from recess in left top corner of cabinet. Connect the two harness sections together. Use the 2 screws removed in step 1 to attach the left hinge cover to the left corner of cabinet.



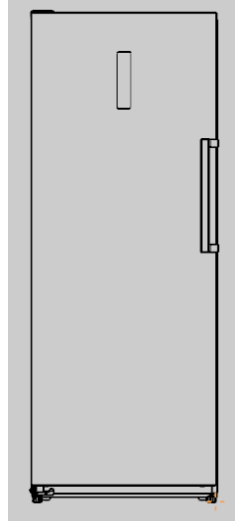
11. Carefully remove the plastic caps that cover the two door handle braces. Remove the flat head screws from the braces and remove handle. Remove the 4 round head screws from door right edge. Reattach the 4 round head screws to the left door edge into the holes exposed from removing the brace screws.



12. Use the removed brace flat head screws to attach the handle to the right edge of door into the holes exposed from removing the 4 round head screws. Insert the two tabs on the narrow end of the cap into the slots on the brace, and then snap the wide end down into place.



13. Once the handle is installed on the right side of the cabinet, the door reversal procedure is complete. Open and close the door to check that it swings freely and closes securely NOTE: Set the leveling legs so that the front of the cabinet is 1/4" higher than the back to prevent the door from accidental opening.



Before You Call

TROUBLESHOOTING GUIDE	Before calling for service, review this list. It may save you time and expense. This list includes common occurrences that are not the result of defective workmanship or materials in this appliance.	
CONCERN	POTENTIAL CAUSE	COMMON SOLUTION
Appliance does not run.	<ol style="list-style-type: none"> 1. Unit is plugged into a circuit that has a ground fault interrupt. 2. Temperature control is in the OFF position. 3. Unit may not be plugged in or plug may be loose. 4. House fuse blown or tripped circuit breaker. 5. Power outage. 	<ol style="list-style-type: none"> 1. Use another circuit. If you are unsure about the outlet, have it checked by a certified electrician. 2. See Temperature Control Section. 3. Ensure plug is tightly pushed into outlet. 4. Check house fuse or circuit breaker. 5. Check house lights. Call local Electric Company.
Appliance runs too much or too long.	<ol style="list-style-type: none"> 1. Room or outside weather is hot. 2. Unit has recently been disconnected for a period of time. 3. Large amounts of warm or hot food have been stored recently. 4. Door is opened too frequently or long. 5. Door may be slightly open. 6. Temperature Control is set too low. 7. Door gasket is dirty, worn, cracked, or poorly fitted. 	<ol style="list-style-type: none"> 1. It is normal for the appliance to work harder under these conditions. 2. It takes 4 hours for the unit interior to cool down completely. 3. Warm food will cause unit to run more until the desired temperature is reached. 4. Warm air entering the interior causes it to run more. Open door less often. 5. See Door Will Not Close in this Before You Call Section. 6. Set control to a warmer setting. Allow several hours for the temperature to stabilize. 7. Clean or change gasket. Leaks in the lid seal will cause unit to run longer in order to maintain desired temperature.
Interior temperature is too cold.	Temperature Control is set too cold.	Adjust the control to a warmer setting. Allow several hours for the temperature to stabilize.
Interior temperature is too warm.	<ol style="list-style-type: none"> 1. Temperature Control is set too warm. 2. Door is kept open too long or is opened too frequently. 3. Door may not be seating properly. 4. Large amounts of warm or hot food may have been stored recently. 5. Appliance has recently been disconnected for a period of time. 	<ol style="list-style-type: none"> 1. Adjust control to a colder setting. Allow several hours for the temperature to stabilize. 2. Warm air enters the freezer every time the lid is opened. Open the lid less often. 3. See Door Will Not Close in this Before You Call section. 4. Wait until the appliance has had a chance to reach its selected temperature. 5. Freezer mode requires 4 hours to cool down completely after appliance is first plugged in.
Appliance exterior surface temperature is warm.	The appliance exterior walls can be as much as 30°F warmer than room temperature.	This is normal while the compressor works to transfer heat from inside the appliance cabinet.

Before You Call

CONCERN	POTENTIAL CAUSE	COMMON SOLUTION
Louder sound levels whenever appliance is on.	Modern cooling appliances have increased storage capacity and more stable temperatures. They require a high efficiency compressor.	This is normal. When the surrounding noise level is low, you might hear the compressor running while it cools the interior.
Longer sound periods when compressor comes on.	Appliance operates at higher pressures during the start of the ON cycle.	This is normal. Sound will level off or disappear as appliance continues to run.
Popping or cracking sound when compressor comes on.	Metal parts undergo expansion and contraction, as in hot water pipes.	This is normal. Sound will level off or disappear as appliance continues to run.
Bubbling or gurgling sound, like water boiling.	Refrigerant (used for cooling) is circulating throughout the system.	This is normal.
Vibrating or rattling noise.	<ol style="list-style-type: none"> 1. Appliance is not level. It rocks on the floor when it is moved slightly. 2. Floor is uneven or weak. Appliance rocks on floor when it is moved slightly. 3. Appliance is touching the wall. 	<ol style="list-style-type: none"> 1. Level the unit. Refer to Leveling in the First Steps section of this Use & Care Guide. 2. Ensure floor can adequately support appliance. 3. Move appliance slightly. Refer to Leveling in the First Steps section after moving if necessary.
Moisture forms on inside appliance walls.	<ol style="list-style-type: none"> 1. Weather is hot and humid. 2. Door may not be seating properly. 3. Door is kept open too long, or is opened too frequently. 	<ol style="list-style-type: none"> 1. This is normal. 2. See Door Will Not Close in this Before You Call section. 3. Open the door less often.
Moisture forms on outside of freezer.	Door may not be seating properly, causing the cold air from inside the freezer to meet warm moist air from outside.	See Door Will Not Close in this Before You Call section.
Odors in appliance.	<ol style="list-style-type: none"> 1. Interior needs to be cleaned. 2. Foods with strong odors are in the appliance. 	<ol style="list-style-type: none"> 1. Clean interior with sponge, warm water, and baking soda. 2. Cover the food tightly.
Door will not close.	<ol style="list-style-type: none"> 1. Unit is not level. It rocks on the floor when it is moved slightly. 2. Floor is uneven or weak. Unit rocks on floor when it is moved slightly. 	<ol style="list-style-type: none"> 1. This condition can force the cabinet out of square and misalign the lid and lid seal. Refer to Leveling in the First Steps section of this Use & Care Guide. 2. Refer to Leveling in the First Steps section of this Use & Care Guide.

KENMORE LIMITED WARRANTY

WITH PROOF OF SALE the following warranty coverage applies when this appliance is correctly installed, operated and maintained according to all supplied instructions.

One Year on Appliance

FOR ONE YEAR from the date of sale this appliance is warranted against defects in material or workmanship. A defective appliance will receive free repair. If the appliance cannot be repaired it will be replaced free of charge.

Lifetime on Storage Bins

FOR AS LONG AS IT IS USED from the date of sale, a free replacement will be supplied for a defective refrigerator or freezer compartment storage bin.* If the defect appears within the first year, a new bin will be installed at no charge. If the defect appears after the first year, a new bin will be supplied but not installed at no charge. This Lifetime warranty covers only storage bins, and does not apply to any other related component or mechanism. You are responsible for the labor cost of bin installation after the first year from the date of sale. *Warranty coverage applies to door bins, drawer bins and basket bins. Defects must be verified by a Sears authorized service representative.

For warranty coverage details to obtain free repair or replacement, visit the web page: www.kenmore.com/warranty

All warranty coverage applies for only 90 DAYS from the sale date if this appliance is ever used for other than private household purposes.

This warranty covers ONLY defects in material and workmanship, and will NOT pay for:

1. Expendable items that can wear out from normal use, including but not limited to filters, belts, bags or screw-in base light bulbs.
2. A service technician to clean or maintain this appliance, or to instruct the user in correct appliance installation, operation and maintenance.
3. Service calls to correct appliance installation not performed by Sears authorized service agents, or to repair problems with house fuses, circuit breakers, house wiring, and plumbing or gas supply systems resulting from such installation.
4. Damage to or failure of this appliance resulting from installation not performed by Sears authorized service agents, including installation that was not in accord with electrical, gas or plumbing codes.
5. Damage to or failure of this appliance, including discoloration or surface rust, if it is not correctly operated and maintained according to all supplied instructions.
6. Damage to or failure of this appliance, including discoloration or surface rust, resulting from accident, alteration, abuse, misuse or use for other than its intended purpose.
7. Damage to or failure of this appliance, including discoloration or surface rust, caused by the use of detergents, cleaners, chemicals or utensils other than those recommended in all instructions supplied with the product.
8. Damage to or failure of parts or systems resulting from unauthorized modifications made to this appliance.
9. Service to an appliance if the model and serial plate is missing, altered, or cannot easily be determined to have the appropriate certification logo.

Disclaimer of implied warranties; limitation of remedies

Customer's sole and exclusive remedy under this limited warranty shall be product repair or replacement as provided herein. Implied warranties, including warranties of merchantability or fitness for a particular purpose, are limited to one year or the shortest period allowed by law. Seller shall not be liable for incidental or consequential damages. Some states do not allow the exclusion or limitation of incidental or consequential damages, or limitation on the duration of implied warranties of merchantability or fitness, so these exclusions or limitations may not apply to you.

This warranty applies only while this appliance is used in the United States.

This warranty gives you specific legal rights, and you may also have other rights which vary from state to state.

Transform SR Brands Management LLC, Hoffman Estates, IL 60179

Modelo de registro /Números seriales

Por favor lea y guarde estas instrucciones

Esta Guía de uso y cuidado proporciona instrucciones de operación específicas para su modelo. Use su equipo solo como se indica en esta guía. Estas instrucciones no pretenden cubrir todas las condiciones y situaciones posibles que puedan ocurrir. Se debe tener en cuenta el sentido común y la precaución al instalar, operar y mantener cualquier aparato.

Por favor, registre su modelo y números de serie a continuación para futuras referencias. Esta información se encuentra en la parte superior central de la pared posterior exterior del congelador.

Número de modelo: 111. -----
o número de serie: _____
fecha de compra: _____

IMPORTANTE

Solo use agua y jabón para limpiar la placa de serie.

Índice de Contenido

Registro de Números de Modelo /Serie	1
Instrucciones de Seguridad Importante	1
Configuración del Equipo	4
Uso del Equipo	5
Control de Temperatura	6
Cuidado y Limpieza	7
Falla de la Alimentación o del Equipo	8
Reversión de puerta	9
Antes de Llamar	13
Garantía.....	17
Servicio	Contraportada

Instrucciones de Seguridad Importante

Precauciones de Seguridad

No intente instalar u operar su equipo hasta que haya leído las precauciones de seguridad en esta Guía de uso y cuidado. Los artículos de seguridad en este manual están etiquetados con Peligro, Advertencia o Precaución según el tipo de riesgo.

Definiciones

Éste es el símbolo de alerta de seguridad. Se usa para alertarle sobre los posibles peligros de lesiones personales. Obedezca todos los mensajes de seguridad que siguen a este símbolo para evitar posibles lesiones o la muerte.



PELIGRO

PELIGRO indica una situación de peligro urgente que, si no se evita, causará la muerte o lesiones graves.



ADVERTENCIA

ADVERTENCIA indica una situación potencialmente peligrosa que, si no se evita, podría causar la muerte o lesiones graves.



PRECAUCIÓN

PRECAUCIÓN indica una situación potencialmente peligrosa que, si no se evita, puede provocar lesiones leves o moderadas.



IMPORTANTE

Indica información de instalación, operación o mantenimiento que es importante pero no está relacionada con el peligro.

Instrucciones de Seguridad Importante



PELIGRO



Riesgo de PELIGRO de incendio o explosión. Refrigerante inflamable utilizado. No utilice dispositivos mecánicos para descongelar el refrigerador. No perforo la tubería de refrigerante.

Riesgo de PELIGRO de incendio o explosión. Se usa refrigerante inflamable. Sólo el personal de servicio capacitado pueda realizar la reparación. No perforo la tubería de refrigerante.



PRECAUCIÓN



PRECAUCIÓN, Riesgo de incendio o explosión. Refrigerante inflamable utilizado. Consulte el manual de reparación / guía del propietario antes de intentar reparar este producto. Deben seguirse todas las precauciones de seguridad.

PRECAUCIÓN, Riesgo de incendio o explosión. Colóquelo adecuadamente de acuerdo con las regulaciones federales o locales. Refrigerante inflamable utilizado.

PRECAUCIÓN, Riesgo de incendio o explosión debido a la perforación de la tubería de refrigerante. Siga cuidadosamente el manual de las instrucciones.



ADVERTENCIA

Lea todas las instrucciones de seguridad antes de usar su nuevo equipo.


Para su seguridad

- No almacene ni use gasolina u otros líquidos inflamables cerca de este. Lea las etiquetas del producto para conocer las advertencias sobre inflamabilidad y otros peligros.
- No opere el equipo en presencia de gases explosivos.
- Retire y deseche todos los espaciadores utilizados para asegurar la cesta durante el envío. Los objetos pequeños son un peligro de ahogo para los niños.
- Retire todas las grapas de la caja. Las grapas pueden causar cortes severos y también pueden destruir los acabados si entran en contacto con otros aparatos o muebles.

Seguridad infantil

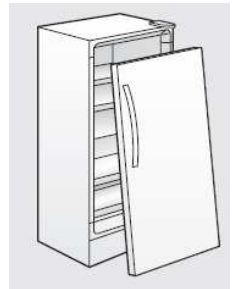
Destruya o recicle la caja de cartón, las bolsas de plástico y cualquier material de envoltura exterior de inmediato después de desempacar el equipo. Los niños nunca deben usar estos equipos para jugar. Las cajas de cartón cubiertas con alfombras, colchas, láminas de plástico o envolturas elásticas pueden convertirse en cámaras herméticas y pueden causar rápidamente asfixia.

Disposición adecuada de su equipo

 **PELIGRO:** ¡Riesgo de atrapamiento! Quedar atrapado y el asfixio de niños no son problemas en el tiempo pasado. Los aparatos desechados o abandonados siguen siendo peligrosos, incluso si se quedan "por unos pocos días". Si va a deshacerse de su aparato, siga las instrucciones a continuación para ayudar a prevenir accidentes.

Antes de tirar su equipo antiguo:

- Retire la puerta.
- Deje los estantes en su lugar dentro del congelador para que los niños no puedan entrar fácilmente.
- Retire el refrigerante por un técnico de servicio calificado.



Instrucciones de Seguridad Importante

IMPORTANTE

Su equipo antiguo puede tener un sistema de enfriamiento que usa CFC o HCFC (clorofluorocarbonos o hidroclorofluorocarbonos). Se cree que los CFC y los HCFC dañan el ozono estratosférico si se liberan a la atmósfera. Otros refrigerantes pueden causar daños al medio ambiente si se liberan a la atmósfera. Si está desechando su Equipo antiguo, asegúrese de que un técnico calificado retire el refrigerante para su eliminación adecuada. Si libera el refrigerante, puede estar sujeto a multas y encarcelamiento en virtud de las disposiciones de la legislación ambiental.



ADVERTENCIA

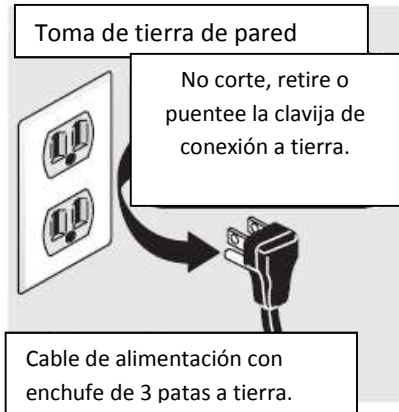
Deben seguirse estas pautas para garantizar que los mecanismos de seguridad en este equipo funcionen correctamente.

Información eléctrica

- El equipo debe enchufarse a 10 amperios, 115 voltios, 60 Hz. Toma de corriente CA solo eléctrica. El cable de alimentación del aparato está equipado con un enchufe de conexión a tierra de tres clavijas para su protección contra el riesgo de descargas. Debe enchufarse directamente a un receptáculo de tres clavijas debidamente conectado a tierra. El receptáculo debe instalarse de acuerdo con los códigos y ordenanzas locales. Consulte a un electricista

calificado. No utilice un cable de extensión o un adaptador.

- Repare o reemplace inmediatamente cualquier cable de alimentación que esté desgastado o dañado.
- Nunca desenchufe el aparato tirando del cable de alimentación. Sujete siempre firmemente el enchufe y sáquelo del receptáculo para evitar dañar el cable de alimentación.
- Desenchufe el aparato antes de limpiarlo y antes de descongelarlo para evitar descargas eléctricas.
- El rendimiento puede verse afectado si el voltaje varía en un 10% o más. El funcionamiento de la unidad con una potencia insuficiente puede dañar el motor. Dichos daños no están cubiertos por la garantía.
- No enchufe el equipo a una toma de corriente controlada por un interruptor de pared ni tire del cable para evitar que el aparato se apague accidentalmente.
- Evite conectar el equipo a un interruptor de circuito con falla a tierra (GFCI).



Configuración del equipo

Esta Guía de uso y cuidado proporciona instrucciones de operación específicas para su modelo. Use el equipo solo como se indica en esta Guía de uso y cuidado.

Antes de iniciar el aparato, siga estos pasos de configuración importantes.

Instalación

- Elija un lugar que esté cerca de un tomacorriente con conexión a tierra. No utilice un cable de extensión o un enchufe adaptador.
- Para una operación más eficiente, el congelador debe ubicarse donde las temperaturas circundantes no excedan los 110 ° F (43 ° C). Las temperaturas de 32 ° F (0 ° C) y menores NO afectarán el funcionamiento del congelador. No es recomendable poner calentadores de compresor adicionales.
- Deje espacio alrededor de la unidad para una buena circulación de aire. Deje un espacio de 1 pulgada (25,4 mm) en la parte posterior y en la parte superior y espacio de 3/8-pulgada (9,5 mm) en los lados del aparato para una circulación adecuada.

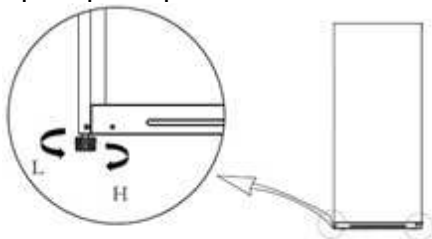
Estar nivelado

El congelador debe tener todas las patas inferiores apoyadas firmemente en un piso sólido que sea lo suficientemente fuerte como para soportar un congelador completamente cargado.

Es muy importante que el aparato esté nivelado para que funcione correctamente. Si no está nivelado, la puerta puede estar desalineada y no cerrarse o sellarse correctamente, lo que podría causar problemas de enfriamiento, escarcha o humedad.

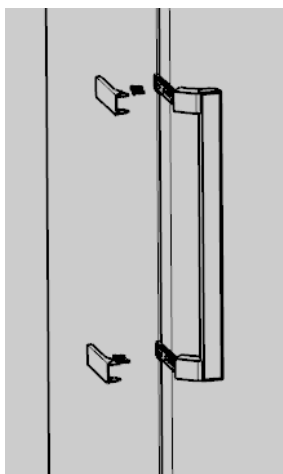
El aparato está equipado con patas de nivelación frontales ajustables. Gire la pata hacia la derecha para aumentar la altura del lado del equipo. Gire hacia la izquierda para bajar la altura del lado. Ajuste cada lado según sea necesario hasta que la parte frontal de la unidad

esté nivelada. También ajuste de modo que la parte delantera de la unidad esté 1/4" más alta que la parte posterior, para que la puerta permanezca cerrada.



Instalación de la manija de la puerta

- Localice y retire las tapas de la abrazadera del asa y los cuatro tornillos de cabeza plana de fijación del asa de la bolsa de accesorios.
- Retire los cuatro tornillos de cabeza redonda del borde izquierdo de la puerta del aparato.
- Utilice los cuatro tornillos de cabeza plana para fijar las abrazaderas del asa al borde de la puerta.
- Inserte las dos lengüetas en el extremo estrecho de la tapa en las ranuras de la abrazadera, y luego coloque el extremo ancho en su lugar.



Limpieza

- Limpie las piezas extraíbles, el interior del congelador y el exterior con un detergente suave y agua tibia. Secarlo. No use limpiadores fuertes en las superficies.
- No utilice cuchillas de afeitar u otros instrumentos afilados, ya que pueden rayar la superficie del aparato al retirar las etiquetas adhesivas. Cualquier pegamento que quede de la cinta puede eliminarse con una mezcla de agua tibia y un detergente suave, o tocar el residuo con el lado adhesivo de la cinta ya removida. No retire la placa de serie.

Ideas de ahorro de energía

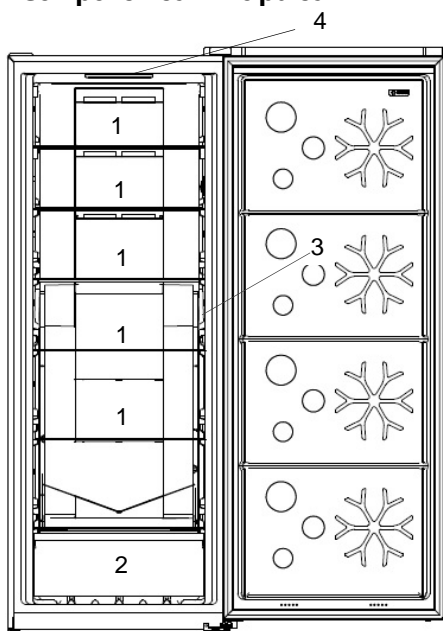


El congelador debe estar ubicado en el área más fresca de la habitación, lejos de los aparatos que producen calor o de los conductos de calefacción, y de la luz solar directa.

- Deje que los alimentos calientes se enfríen a temperatura ambiente antes de colocarlos en el congelador. La sobrecarga del congelador obliga al compresor a funcionar durante más tiempo. Los alimentos que se congelan muy lentamente pueden perder calidad o echarse a perder.
- Asegúrese de envolver los alimentos adecuadamente y de secar los recipientes antes de colocarlos en el congelador. Esto reduce la acumulación de escarcha dentro del congelador.
- No cubra los estantes y contenedores del congelador con papel de aluminio, papel encerado o papel de toalla. Los revestimientos interfieren con la circulación de aire frío, lo que reduce la eficiencia del congelador.
- Organice y etiquete los alimentos para reducir las aperturas de la tapa y las búsquedas prolongadas.
- Retire tantos elementos como sea necesario al mismo tiempo y cierre la puerta lo antes posible.

Uso del Aparato

Componentes Principales



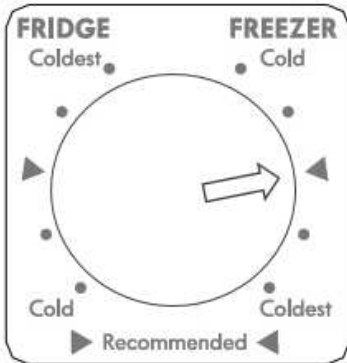
1. Estante de vidrio
2. Bandeja de cajones
3. Control de temperatura
4. Iluminación LED

- La temperatura interior de este aparato se puede configurar para que toda la unidad se pueda usar como congelador o refrigerador. Para encender el aparato, enchufe el cable de alimentación a un tomacorriente de 3 clavijas con conexión a tierra. Si está encendido, La luz verde ubicada en el control de temperatura se encenderá.
- Para un almacenamiento seguro de los alimentos, después de enchufarlos, deje que el aparato se enfríe por completo durante cuatro horas si utilizado como un congelador, o dos horas si utilizado como un refrigerador a la temperatura establecida. El compresor funcionará continuamente durante las primeras horas.
- Los alimentos que ya están congelados pueden colocarse en el congelador después de las primeras horas de

operación. Los alimentos no congelados NO deben dejarse en el congelador hasta que el congelador haya funcionado durante cuatro horas.

- Cuando cargue el congelador, congele solo tres libras de alimentos frescos por pie cúbico de espacio del congelador a la vez. Distribuya los paquetes para ser congelados de manera uniforme en todo el congelador.

Control de Temperatura



El control de temperatura se encuentra a medio camino en la pared interior derecha del gabinete.

Gire el dial de flechas hacia la zona de FREEZER para usar la unidad como congelador. Gire el dial a la zona de FRIDGE para usar la unidad como refrigerador.

Encontrará cierta resistencia en el centro superior cuando gire el dial en una zona u otra. Empuje más allá del área de resistencia para mover la flecha a la nueva zona.

Una vez en una zona, gire el dial de modo que la flecha apunte a la configuración de temperatura de su elección.

En cada zona, una figura de triángulo indica el ajuste de temperatura recomendado para la mayoría de las situaciones de uso.

Después de realizar un ajuste, espere varias horas para que la temperatura interna se establezca en la nueva configuración.

Descongelamiento automático

El aparato está equipado con capacidad de descongelamiento automático para que no tenga que descongelar manualmente. El elemento de enfriamiento del equipo se calienta regularmente para derretir la escarcha que se forma en él. El agua resultante se drena a través de un conducto en la parte posterior del aparato y en un recipiente oculto en la base del aparato donde se evapora. Si se forma escarcha en las paredes interiores de la unidad, retire los alimentos y guárdelos en otro lugar. Luego, desenchufe la unidad, espere un tiempo suficiente para que la escarcha se derrita y limpie la humedad con una toalla seca.

Ruedas traseras

El aparato está equipado con ruedas traseras para ayudarlo a introducirlo o sacarlo de un lugar. PRECAUCIÓN: obtenga la ayuda de un asistente si el aparato le parece demasiado pesado para moverlo de manera segura.

Iluminación Interior LED

El aparato cuenta con iluminación LED interior, que es más efectiva y duradera que las bombillas incandescentes. Sin embargo, en el improbable caso de que el LED no se encienda, llame al 1-844-553-6667 para programar el servicio de reparación para reemplazarlo.

Manija de Puerta Abierta Fácil

El aparato está equipado con una manija que reduce la cantidad de fuerza necesaria para abrir la puerta. Sujete el asa y tire hacia un lado y luego hacia atrás para abrir la puerta fácilmente.

Cuidado y limpieza



PRECAUCIÓN

Los objetos húmedos se adhieren a las superficies metálicas frías. No toque las superficies metálicas inferiores con las manos mojadas o húmedas.

Limpieza de la parte interior

Limpie las superficies internas del aparato con una solución de dos cucharadas de bicarbonato de sodio en un cuarto de galón (1.1 litros) de agua tibia. Lo enjuague y lo seque. Escurra el exceso de agua de la esponja o paño al limpiar en el área de los controles o cualquier parte eléctrica.

Limpie las piezas extraíbles y las cestas con la solución de bicarbonato de sodio mencionada anteriormente, o con un detergente suave y agua tibia.

Nunca use estropajos metálicos, cepillos, limpiadores abrasivos o soluciones alcalinas en ninguna superficie interior. No lave las piezas desmontables en una máquina de lavaplatos.

Limpieza de la parte exterior

Limpie el gabinete con agua tibia y detergente líquido suave. Enjuague bien y la seque con un paño suave y limpio. Nunca use estropajos, cepillos, limpiadores abrasivos o soluciones alcalinas metálicas en ninguna parte de la superficie exterior.

Consejos para vacaciones y mudarse



ADVERTENCIA

Si deja la puerta del equipo abierta durante las vacaciones, asegúrese de que los niños no puedan ingresar al congelador y quedar atrapados.

Vacaciones cortas: deje el equipo en funcionamiento durante las vacaciones de menos de tres semanas.

Vacaciones prolongadas: si el equipo no se va a utilizar durante varios meses:

- Retire todos los alimentos y desenchufe el cable de alimentación.
- Limpie y seque el interior a fondo.
- Deje ligeramente abierta la puerta del equipo, bloqueándola si es necesario, para evitar el mal olor y el crecimiento de moho.

Movimiento: cuando mueva el aparato, siga estas pautas para evitar daños:

- Desconecte el enchufe del cable de alimentación de la toma de corriente.
- Retire los alimentos y limpie el interior del aparato.
- Asegure todos los artículos sueltos, como contenedores y estantes, pegándolos firmemente en su lugar para evitar daños.
- En un vehículo en movimiento, asegure el congelador en posición vertical para evitar movimientos. También proteja el exterior del congelador con una manta o un artículo similar.

NOTA

Si el equipo está apagado o desenchufado durante varias horas, no es necesario abrir la puerta del aparato. Esto mantendrá la temperatura más fría en el interior y reducirá el tiempo de recuperación a la temperatura deseada una vez que se vuelva a encender la unidad.

Fallo de alimentación o del equipo

Si se produce un fallo de alimentación, los alimentos congelados permanecerán congelados durante al menos 24 horas si la puerta del aparato se mantiene cerrada. Si el fallo de alimentación continúa, coloque siete u ocho libras de hielo seco en el aparato cada 24 horas. Busque en las Páginas Amarillas bajo Hielo seco, lecherías o fabricantes de helados para encontrar proveedores locales de hielo seco. Siempre use guantes y tenga cuidado al manejar hielo seco.

Si el equipo ha dejado de funcionar, consulte "el equipo no se ejecuta" en la Guía de solución de problemas. Si no puede resolver el problema, llame a un servicio técnico autorizado de inmediato. Si el aparato permanece apagado durante varias horas, siga las instrucciones anteriores para el uso de hielo seco durante una desconexión de energía. Si es necesario, lleve los alimentos a una planta local de casilleros hasta que el aparato esté listo para funcionar. Busque en las Páginas Amarillas bajo Plantas de Armarios de Alimentos Congelados.

Reversión de puerta

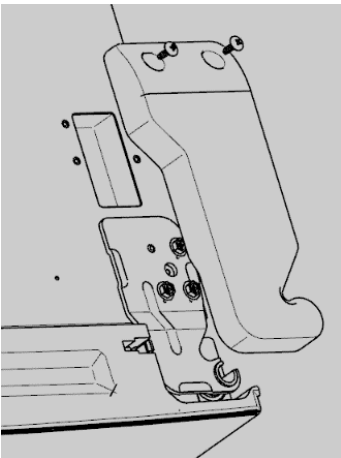
El aparato se envía con la bisagra a la derecha para que la puerta se abra de izquierda a derecha. Realice el siguiente procedimiento para revertir el giro de la puerta. **NOTA:** Con el aparato se envían una cubierta de la bisagra superior del lado izquierdo, una bisagra superior, una bisagra inferior y un dispositivo de cierre de puertas para su uso en este procedimiento.

ADVERTENCIA: desenchufe el refrigerador antes de realizar el procedimiento de inversión de la puerta. Si no se desenchufa, se pueden producir lesiones graves o la muerte por descarga eléctrica.

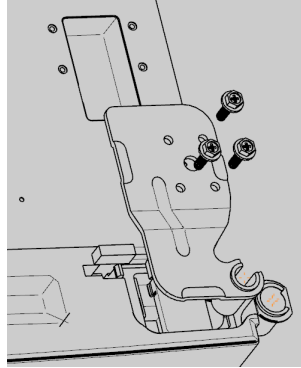
PRECAUCIÓN: para evitar lesiones personales o daños a la propiedad, obtenga ayuda de otra persona para realizar este procedimiento.

PRECAUCIÓN: obtenga un taburete o plataforma equilibrada para pararse cuando realice los pasos del procedimiento que tienen que ver con la parte superior del gabinete del dispositivo.

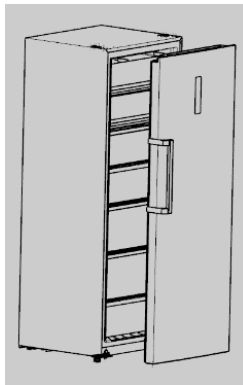
1. Retire los dos tornillos que sujetan la cubierta de la bisagra derecha a la parte superior del gabinete. Presione la pestaña en el lado de la cubierta del arnés de cables y separe las dos secciones del arnés. Empuje la sección del gabinete del arnés en el orificio en la parte superior del gabinete.



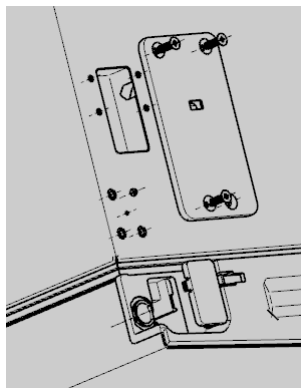
2. Obtener la ayuda de un asistente para sujetar la puerta. Una vez que se retira la bisagra, la puerta se puede liberar del gabinete. Desatornille los 3 tornillos de la bisagra superior y retire la bisagra derecha levantándola. Retenga los tornillos para la fijación de la bisagra izquierda.



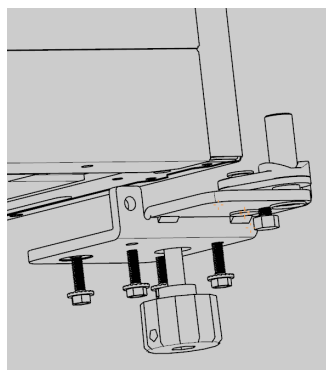
3. Abra ligeramente la puerta del lado del tirador para facilitar su extracción. Con la ayuda de un asistente, levante la puerta desde la bisagra inferior. Ponga la puerta a un lado.



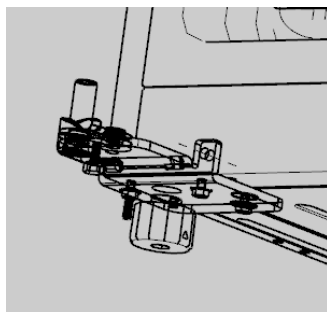
4. Retire los 3 tornillos de la placa de la cubierta en la esquina frontal izquierda del gabinete. Retire la cubierta y use los tornillos para volver a colocarla en la esquina derecha del gabinete.



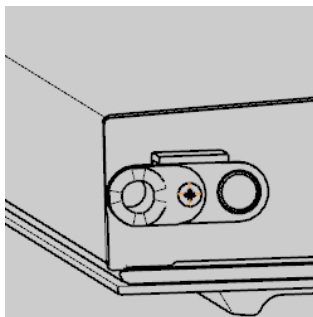
5. Con la ayuda de un asistente, coloque el aparato sobre su espalda. Retire el pie nivelador de cada lado de la parte inferior. Retire los 5 tornillos que sujetan la bisagra inferior derecha al gabinete. Retire la bisagra y retenga los 5 tornillos para el accesorio de la bisagra inferior izquierda.



6. Retire el tapón de la parte inferior delantera izquierda del gabinete e insértelo en el orificio de la parte inferior delantera derecha. Retire el tornillo (si está presente) de la parte inferior del borde inferior frontal. Use los 5 tornillos del paso 6 para fijar la bisagra inferior izquierda al lado izquierdo de la parte inferior del aparato. Vuelva a insertar el pie de nivelación en ambos lados del gabinete.

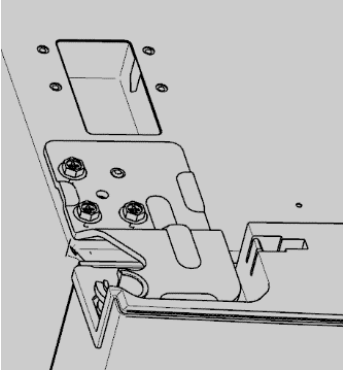


7. Retire el tapón de la puerta de metal y el cierre de la puerta de plástico de la esquina inferior derecha de la puerta. Use el tornillo que quitó para colocar el tope de la puerta y la puerta izquierda más cerca de la esquina inferior izquierda de la puerta.

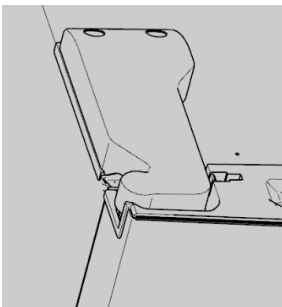


8. Con la ayuda de un asistente, levante con cuidado el aparato de nuevo a la posición vertical. **NOTA:** Una vez que el aparato se levanta nuevamente a la posición vertical, debe permanecer en posición vertical durante 6 horas antes de enchufarlo para evitar daños a los componentes internos.

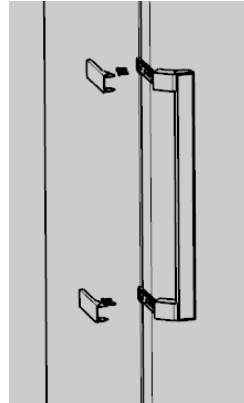
9. Con la ayuda de un asistente, monte la puerta en la bisagra inferior izquierda. Inserte el pasador de la bisagra en la puerta y use los 3 pernos que retiró en el paso 2 para fijar la bisagra superior izquierda a la esquina superior izquierda del gabinete.



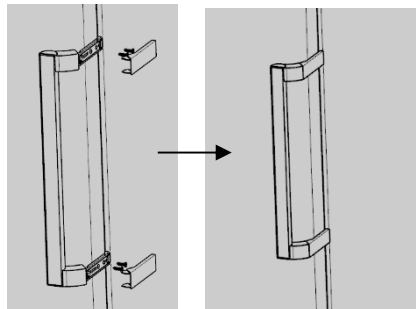
10. Use un destornillador de punta plana para extraer con cuidado la base del arnés de cables de su clip en la cubierta de la bisagra derecha. Con cuidado, inserte la base del arnés en el clip en la cubierta de la bisagra izquierda. Tire de la sección del arnés de cables del gabinete hacia arriba desde el hueco en la esquina superior izquierda del gabinete. Conecte las dos secciones del arnés juntas. Use los 2 tornillos que retiró en el paso 1 para colocar la cubierta de la bisagra izquierda en la esquina izquierda del gabinete.



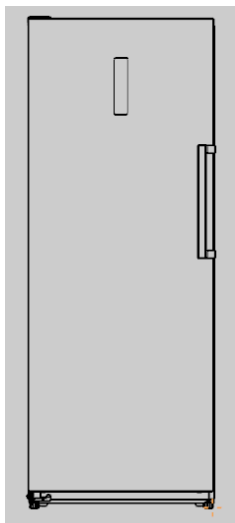
11. Retire con cuidado las tapas de plástico que cubren las dos abrazaderas de la manija de la puerta. Retire los tornillos de cabeza plana de los tirantes y retire la manija. Retire los 4 tornillos de cabeza redonda del borde derecho de la puerta. Vuelva a colocar los 4 tornillos de cabeza redonda en el borde izquierdo de la puerta en los orificios expuestos para retirar los tornillos de refuerzo.



12. Use los tornillos de cabeza plana que se retiraron para sujetar la manija al borde derecho de la puerta en los orificios expuestos para retirar los 4 tornillos de cabeza redonda. Inserte las dos lengüetas en el extremo estrecho de la tapa en las ranuras de la abrazadera y luego encaje el extremo ancho hacia abajo en su lugar.



13. Una vez que se instale la manija en el lado derecho del gabinete, se completa el procedimiento de inversión de la puerta. Abra y cierre la puerta para verificar que se mueva libremente y que se cierre de manera segura
NOTA: coloque las patas niveladoras de manera que la parte frontal del gabinete esté $\frac{1}{4}$ " más alta que la parte posterior para evitar que la puerta se abra accidentalmente.



Antes de llamar

GUÍA PARA RESOLVER PROBLEMAS	Antes de llamar al servicio, por favor revise esta lista. Puede ahorrarle tiempo y gastos. Esta lista incluye sucesos comunes que no son el resultado de mano de obra o materiales defectuosos en este equipo.	
NOVEDAD	CAUSA POTENCIAL	SOLUCIÓN COMÚN
El equipo no se trabaja	<ol style="list-style-type: none"> 1. El equipo está enchufada a un circuito que tiene una interrupción de falla a tierra. 2. El control de temperatura está en la posición OFF. 3. Es posible que el equipo no esté enchufado o que el enchufe esté suelto. 4. Fusible de la casa fundido o interruptor de circuito disparado. 5. Corte de energía 	<ol style="list-style-type: none"> 1. Use otro circuito. Si no está seguro acerca del tomacorriente, deje a un electricista certificado lo revise. 2. Ver la Sección de Control de Temperatura. 3. Asegúrese de que el enchufe esté bien insertado en la toma de corriente. 4. Revise el fusible de la casa o el interruptor de circuito 5. Revise las luces de la casa. Llame a la compañía eléctrica local.
Los equipos funcionan constantemente o el equipo funciona durante un tiempo demasiado largo.	<ol style="list-style-type: none"> 1. El clima de la habitación o del exterior es caluroso. 2. El equipo se ha desconectado recientemente por un período de tiempo. 3. Grandes cantidades de alimentos calientes se han almacenado recientemente. 4. La puerta se abre con demasiada alta frecuencia o durante mucho tiempo. 5. La puerta puede estar con una poca apertura 6. El control de temperatura está configurado demasiado bajo. 7. La junta de la puerta está sucia, desgastada, dañada o mal ajustada. 	<ol style="list-style-type: none"> 1. Es normal que el equipo trabaje más en estas condiciones. 2. El interior del equipo tardará 4 horas en enfriarse completamente. 3. Los alimentos calientes harán que el equipo funcione más hasta que se alcance la temperatura deseada. 4. El aire caliente que ingresa al interior por lo que hace que trabaje más. Abra la puerta con menos frecuencia. 5. Chequee si la puerta no se cierre bien en esta situación antes de llamar. 6. Establezca el control en un ajuste más caluroso. Permita varias horas para que la temperatura se establezca. 7. Limpie o cambie la junta. Las fugas en el sello de la tapa harán que el equipo funcione más tiempo para mantener la temperatura deseada.

Antes de llamar

La temperatura interior es demasiado baja	El control de temperatura está configurado demasiado frío.	Ajuste el control a un ajuste más caluroso. Permita varias horas para que la temperatura se estabilice.
La temperatura interior es demasiado alta.	<ol style="list-style-type: none">1. El control de temperatura está configurado demasiado caliente.2. La puerta se mantiene abierta durante un tiempo o demasiado largo o se abre con alta frecuencia.3. Puede que la puerta no se mueva correctamente.4. Es posible que recientemente se hayan almacenado grandes cantidades de alimentos calientes.5. El equipo se ha desconectado recientemente por un período de tiempo.	<ol style="list-style-type: none">1. Ajuste el control para una temperatura más baja. Permita trabajar varias horas para que la temperatura se estabilice.2. El aire caliente ingresa al congelador cada vez que se abre la tapa. Abra la tapa con menos frecuencia.3. Chequee si la puerta no se cierre bien en esta situación antes de llamar.4. Espere hasta que el equipo haya tenido la oportunidad de alcanzar la temperatura seleccionada.5. El modo de refrigeración requiere 4 horas para enfriarse completamente después de enchufar el equipo por primera vez.
La temperatura de la superficie exterior del aparato es cálida.	Las paredes exteriores del aparato pueden ser hasta 30 ° F más altas que la temperatura ambiente.	Esto es normal mientras el compresor trabaja para transferir calor desde el interior del gabinete del equipo.

Antes de llamar

NOVEDAD	CAUSA POTENCIAL	SOLUCIÓN COMÚN
<p>Cuando el equipo está encendido, presenta un nivel de sonido alto</p>	<p>Los aparatos modernos de refrigeración tienen una mayor capacidad de almacenamiento y temperaturas más estables, lo cual requiere un compresor de alta eficiencia.</p>	<p>Esto es normal. Cuando el nivel de ruido circundante es bajo, es posible que escuche el funcionamiento del compresor mientras enfría el interior.</p>
<p>Período de sonido más largo cuando el compresor se enciende.</p>	<p>El aparato funciona a presiones más altas durante el inicio del ciclo de ENCENDIDO.</p>	<p>Esto es normal. El sonido se estabilizará o desaparecerá a medida que el dispositivo continúe funcionando.</p>
<p>Presenta sonido de chasquido o golpeo cuando se enciende el compresor</p>	<p>Las piezas metálicas experimentan expansión y contracción, como en las tuberías de agua caliente.</p>	<p>Esto es normal. El sonido se estabilizará o desaparecerá a medida que el equipo continúe funcionando.</p>
<p>Sonido burbujeante o de gorgoteo, como el agua hirviendo.</p>	<p>El refrigerante (utilizado para refrigerar) circula por todo el sistema.</p>	<p>Esto es normal.</p>
<p>Vibración o ruido de traqueteo.</p>	<ol style="list-style-type: none"> 1. El aparato no está nivelado. Se balancea en el suelo cuando se mueve ligeramente. 2. El piso es desnivelado o débil. El aparato se balancea en el piso cuando se mueve ligeramente. 3. El aparato está pegado con la pared 	<ol style="list-style-type: none"> 1. Nivele el equipo. Consulte Nivelación en la sección de los primeros pasos de esta Guía de uso y cuidado. 2. Asegúrese de que el piso pueda soportar adecuadamente el aparato. 3. Mueva el aparato ligeramente. Consulte Nivelación en la sección de los primeros pasos después de mover si es necesario.

Antes de llamar

<p>Se forma humedad en las paredes interiores del aparato.</p>	<ol style="list-style-type: none">1. El clima es caliente y húmedo.2. Es posible que la puerta no se coloque bien.3. La puerta se mantiene abierta demasiado tiempo o se abre con alta frecuencia.	<ol style="list-style-type: none">1. Esto es normal.2. Consulte La Puerta No Se Cerrará en esta sección Antes de Llamar.3. Abra la puerta con poca frecuencia.
<p>La humedad presenta en el exterior del congelador.</p>	<p>Es posible que la puerta no se asiente correctamente, por lo que el aire frío del interior del congelador se encuentra con el aire caliente y húmedo del exterior.</p>	<p>Consulte La Puerta No Se Cerrará en esta sección Antes de Llamar.</p>
<p>Presenta olores en el aparato.</p>	<ol style="list-style-type: none">1. El interior necesita ser limpiado.2. Los alimentos con olores fuertes están en el aparato.	<ol style="list-style-type: none">1. Limpie el interior con una esponja, agua tibia y bicarbonato de sodio.2. Cubra bien los alimentos.
<p>La puerta no cierra.</p>	<ol style="list-style-type: none">1. El aparato no está nivelado. Se balancea en el suelo cuando se mueve ligeramente.2. El piso es desnivelado o débil. El aparato se balancea en el piso cuando se mueve ligeramente.	<ol style="list-style-type: none">1. Esta condición puede forzar el gabinete fuera del cuadrado y desalinearse la tapa y el sello de la tapa. Consulte Nivelación en la sección de Los Primeros pasos de esta Guía de uso y cuidado.2. Consulte Nivelación en la sección de Los Primeros pasos de esta Guía de uso y cuidado.

GARANTÍA DE KENMORE LIMITADA

CON LA PRUEBA DE VENTA, la siguiente cobertura de garantía se aplica cuando este aparato se instala, opera y mantiene correctamente de acuerdo con todas las instrucciones suministradas.

Un Año en el aparato

POR UN AÑO a partir de la fecha de venta, este aparato está garantizado contra defectos en materiales o mano de obra. Un aparato defectuoso recibirá reparación gratuita. Si el aparato no se puede reparar, se reemplazará de forma gratuita.

Vida útil en contenedores de almacenamiento

POR EL MOMENTO EN QUE SE UTILICE desde la fecha de venta, se proporcionará un reemplazo gratuito para un compartimiento de almacenamiento defectuoso del refrigerador o compartimiento del congelador. * Si el defecto aparece dentro del primer año, se instalará un nuevo compartimiento sin cargo. Si el defecto aparece después del primer año, se suministrará un nuevo contenedor, pero no se instalará sin cargo. Esta garantía de por vida cubre solo los contenedores de almacenamiento y no se aplica a ningún otro componente o mecanismo relacionado. Usted es responsable del costo de mano de obra de la instalación del contenedor después del primer año a partir de la fecha de venta. * La cobertura de la garantía se aplica a los compartimientos de las puertas, cajones y cestos. Los defectos deben ser verificados por un representante de servicio autorizado de Sears.

Para obtener detalles de la cobertura de la garantía para obtener reparaciones o reemplazos gratuitos, visite la página web: www.kenmore.com/warranty

Toda la cobertura de la garantía se aplica solo por 90 DÍAS a partir de la fecha de venta si este aparato se utiliza para fines que no sean domésticos privados.

Esta garantía cubre SOLAMENTE defectos en materiales y mano de obra, y NO pagará por:

1. Artículos de consumo que pueden desgastarse con el uso normal, incluidos, entre otros, filtros, cinturones, bolsas o bombillas de luz de base atornillada.
2. Un técnico de servicio para limpiar o mantener este dispositivo, o para instruir al usuario sobre la correcta instalación, operación y mantenimiento del dispositivo.
3. Llamadas de servicio para corregir la instalación del aparato que no realizan los agentes de servicio autorizados de Sears, o para reparar problemas con los fusibles de la casa, los disyuntores, el cableado de la casa y los sistemas de plomería o suministro de gas que resulten de dicha instalación.
4. El daño o la falla de este aparato como resultado de la instalación no realizada por los agentes de servicio autorizados de Sears, incluida la instalación que no estaba de acuerdo con los códigos de electricidad, gas o plomería.
5. Daños o fallas de este aparato, incluida la decoloración o el óxido de la superficie, si no se opera y mantiene correctamente de acuerdo con todas las instrucciones suministradas.
6. Daño o falla de este aparato, incluida la decoloración o la oxidación de la superficie, como resultado de un accidente, alteración, abuso, mal uso o uso para otro propósito que no sea el previsto.
7. Daños o fallas de este aparato, incluida la decoloración o la oxidación de la superficie, causados por el uso de detergentes, limpiadores, productos químicos o utensilios que no sean los recomendados en todas las instrucciones suministradas con el producto.
8. Daño o falla de partes o sistemas que resulten de modificaciones no autorizadas hechas a este aparato.
9. Servicio para un aparato si el modelo y la placa de serie faltan, se modifican o no se puede determinar fácilmente que tengan el logotipo de certificación adecuado.

Renuncia de garantías implícitas; limitación de recursos

El único y exclusivo remedio del Cliente bajo esta garantía limitada será la reparación o reemplazo del producto según lo dispuesto en el presente documento. Las garantías implícitas, incluidas las garantías de comercialización o adecuación para un propósito en particular, están limitadas a un año o al período más corto permitido por la ley. El vendedor no será responsable por daños incidentales o consecuentes. Algunos estados no permiten la exclusión o limitación de daños incidentales o consecuentes, o la limitación en la duración de las garantías implícitas de comercialización o adecuación, por lo que estas exclusiones o limitaciones pueden no ser aplicables en su caso. Esta garantía se aplica solo mientras este aparato se utiliza en los Estados Unidos. Esta garantía le otorga derechos legales específicos, y también puede tener otros derechos que varían de un estado a otro.

Transformar SR Brands Management LLC, Hoffman Estates, IL

Kenmore®

Customer Care Hotline

To schedule in-home repair service
or order replacement parts

Para pedir servicio de reparación
a domicilio, y ordenar piezas

1-844-553-6667

www.kenmore.com

