

Electric Insect Killer

User's manual

EN



SENCOR[®]

SIK 50B / SIK 50G

Before first use, please read all instructions contained in this user's manual carefully, even if you are already familiar with using similar products. Only use this product in accordance with the instructions described in the user's manual. Keep the user's manual in a safe place where it can be easily retrieved for future use.

Save the original packaging, including the internal packing material, warranty card and proof of purchase receipt, at least for the duration of the warranty. If you need to ship this product, pack it in the original cardboard box to ensure maximum protection during shipping or transport (e.g. when moving or when you need to send this product for repair).

EN-1

CONTENTS

IMPORTANT SAFETY NOTICE	3
INTRODUCTION	4
PRODUCT DESCRIPTION	4
INSTRUCTIONS FOR USE.....	4
CLEANING AND MAINTENANCE.....	6
TECHNICAL DETAILS.....	7
INSTRUCTIONS AND INFORMATION REGARDING THE DISPOSAL OF USED PACKAGING MATERIALS	7
DISPOSAL OF USED ELECTRICAL AND ELECTRONIC APPLIANCES.....	7

Electric Insect Killer

SIK 50B / SIK 50G

EN

IMPORTANT SAFETY NOTICE

- Carefully unpack the product and take care not to throw away any part of the packaging before you find all the parts of the product.
- This product must not be used by persons (including children) with physical or mental impairments or by inexperienced persons, unless properly trained or schooled in the safe use of the product, or unless they have been properly supervised by a qualified person who will be responsible for their safety.
- Under no circumstances should you try to repair or amend the product on your own - danger of electric shock! Entrust all repairs and adjustments to a specialised company/service. Tampering with the product during the warranty period may void the warranty.
- Never use the product if you have wet hands or feet.
- Only store and use the product away from flammable or volatile materials and solutions.
- Keep the product away from extreme temperatures, direct sunlight and excessive humidity. Do not use in an overly dusty environment.
- Do not place the product near heaters, open fires or other appliances or equipment that are sources of heat.
- This product is designed only for domestic use. Do not use in industrial surroundings!
- Do not use the product for purposes other than those intended.
- Before connecting the product to the power outlet ensure that the voltage on the label is the same as that in the power outlet.
- Do not place the power cord near hot surfaces, or over sharp objects. Do not place heavy objects on the power cable. Position the cord so that it will not be stepped on or tripped over. Make sure the power cord is not touching a hot surface.
- If the product's power cord is damaged, have an authorised service or qualified person replace it, in order to prevent hazards. It is forbidden to use a product with a damaged power cord or plug.
- Do not disconnect the power cord from the wall outlet by pulling the cord.
- Do not spray the product with water or any other liquid. Do not pour water or any other liquids into the product. Do not submerge the product in water or any other liquid.
- Never use the product near a bathtub, wash basin or any other container filled with water.
- If you are not using the product, or if you know that you will not be using it soon, turn it off and disconnect the power cord from the wall socket. Prior to cleaning, proceed in the same manner.
- Use extra care if the product is used near children. Always keep the product out of the reach of children. Children must be supervised to ensure that they do not play with the product.
- Never place the product on a sloped surface.
- Never insert metal or any other objects into the product - danger of injury by electrical shock!
- Never leave the product in operation without attaching the base - danger of injury by electrical shock!
- The manufacturer takes no responsibility for damages caused by the incorrect use of this product and its accessories (injuries, burns, scalding, fire, food spoilage, etc.).
- This product is not suitable for use in barns, stables and similar kinds of areas.
- The appliance must not be used in locations where flammable fumes or explosive dust could be present.



WARNING!
DANGER OF INJURY BY ELECTRIC SHOCK

Electric Insect Killer

SIK 50B / SIK 50G

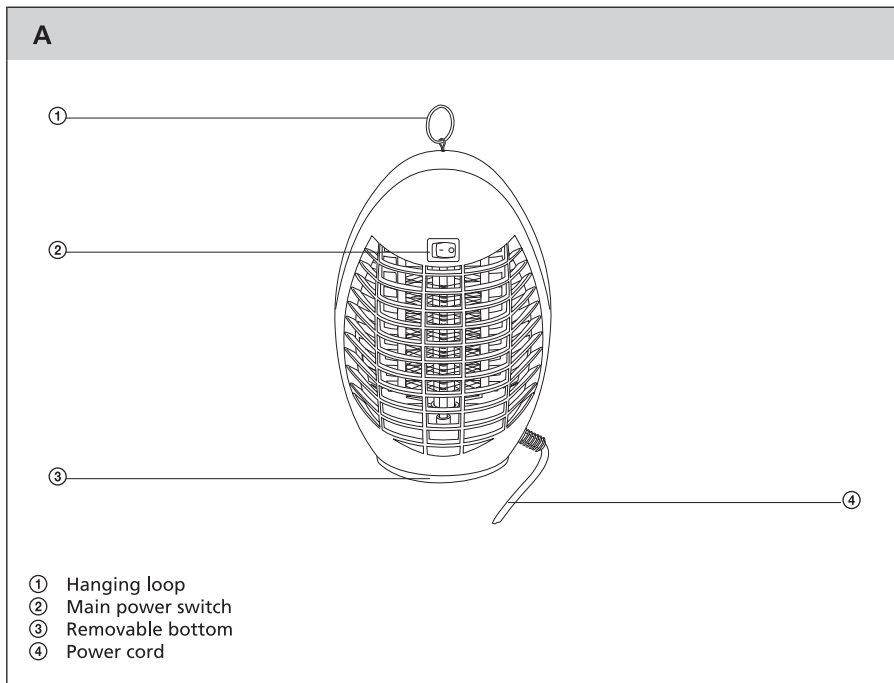
INTRODUCTION

The Sencor SIK 50 electric insect killer is an indispensable aid anywhere where there is an excessive amount of mosquitoes and other annoying insects. It is equipped with two special 4W tubes emitting blue ultraviolet light, which attracts the insects inside, where they are subsequently killed by high voltage on the protective grill.

Several tips for effective operation

- 1) The insect killer should be located in a location where insects enter from the outdoors into a room and in locations, where the insects will react to the light of the insect killer.
- 2) The recommended installation height is up to 2 meters, but for reasons of easy operation and maintenance the lower it is the better and also because insect activity is higher near the floor (insect killers located at a height of 1.5m are 4x to 10x more effective).
- 3) The best effect is achieved by locating the insect killer in a dark corner so that the blue light is more distinctive. The effectiveness of the insect killer can be negatively affected by the intensity of other light sources, whether artificial or day light - so we recommend that it is located where there is a minimum concentration of these sources.

PRODUCT DESCRIPTION



Electric Insect Killer

SIK 50B / SIK 50G

EN

INSTRUCTIONS FOR USE

Putting into operation

- 1) It is optimal to hang the electric insect killer using the loop in a dark corner.
- 2) Check that the voltage in your electricity grid corresponds to the voltage specified on the type label.
- 3) Insert the power plug into the power socket.
- 4) Move the main switch to position "1".

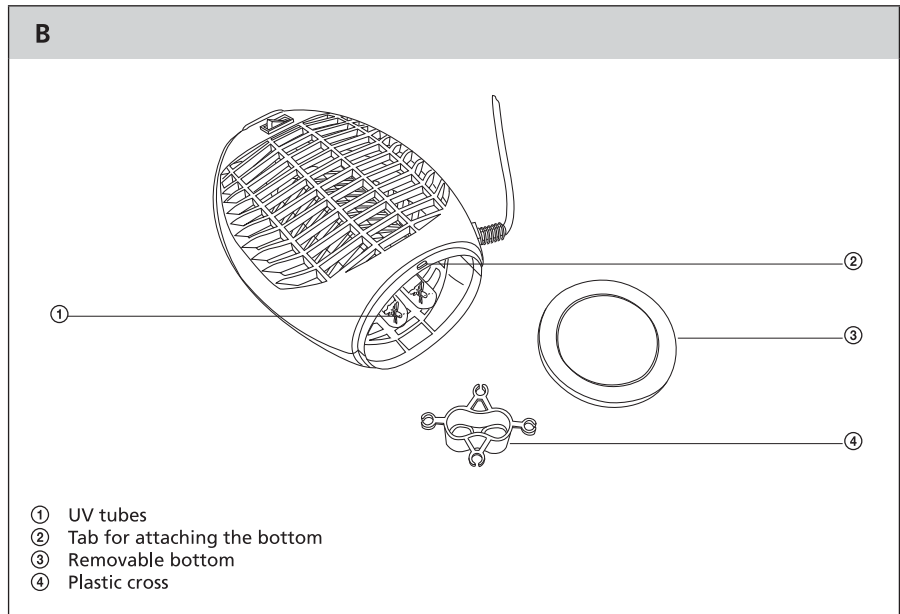


Warning

The product is not designed for outdoor use and in no case should it be exposed to for example rain. If you need to install it for example on the terrace, it is essential that you install it under the roof!

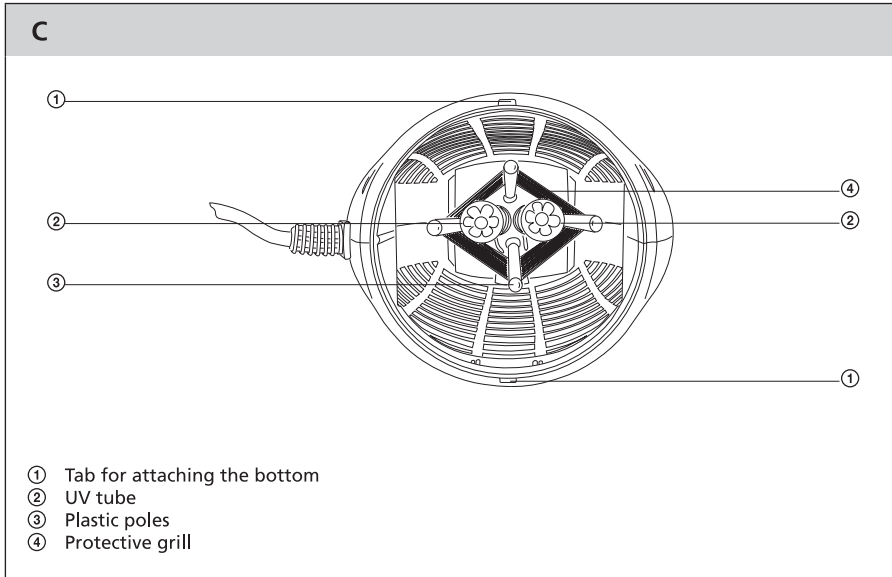
Changing the light tube

- 1) First disconnect the insect killer from the power socket and move the main switch to position "0".
- 2) By turning remove the bottom of the insect killer.
- 3) Now remove the plastic cross protecting the tubes.
- 4) By pulling towards yourself carefully remove both the old tubes.
- 5) Insert new tubes into the socket.
- 6) Place the plastic cross back on the new tubes, so that all 4 ends sit on the plastic posts of the grate.
- 7) By turning, screw the bottom back on to the electric insect killer.



Electric Insect Killer

SIK 50B / SIK 50G



CLEANING AND MAINTENANCE

Warning
 Before cleaning disconnect this product from the power source.

- 1) Locate the electric insect killer above a rubbish bin.
- 2) Do not turn it upside down!
- 3) Turn the bottom of the insect killer and carefully remove the lid - the contents will fall into the bin.
- 4) By turning, screw the bottom back on to the electric insect killer.

Warning
 Never wash the product under running water.

To clean the outer parts of the product, use a soft cloth dipped in lukewarm water. Do not use aggressive cleaning products and solvents as this could damage the surface of the product.

Electric Insect Killer

SIK 50B / SIK 50G

EN

TECHNICAL SPECIFICATIONS

Nominal voltage.....	230 V AC (alternate current)
Nominal frequency.....	50 Hz
Rated power	2x 4 W
Voltage at the electrodes	1600 V
Safety class (with regard to electric shock protection)	II
Length of power cord	2.7 m
Operating range	30 m ²
Lifetime of the tube	5000 hours
Dimensions (width x depth x height)	147 x 93 x 221 mm
Weights.....	0.38 kg

Amendments to text and technical parameters are reserved.

INSTRUCTIONS AND INFORMATION REGARDING THE DISPOSAL OF USED PACKAGING MATERIALS

Dispose of packaging material at a public waste disposal site.

DISPOSAL OF USED ELECTRICAL AND ELECTRONIC APPLIANCES



The meaning of the symbol on the product, its accessory or packaging indicates that this product shall not be treated as household waste. Please, dispose of this product at your applicable collection point for the recycling of electrical & electronic equipment waste. Alternatively in some states of the European Union or other European states you may return your products to your local retailer when buying an equivalent new product. The correct disposal of this product will help save valuable natural resources and help in preventing the potential negative impact on the environment and human health, which could be caused as a result of improper liquidation of waste. Please ask your local authorities or the nearest waste collection centre for further details. The improper disposal of this type of waste may fall subject to national regulations for fines.

For business entities in the European Union

If you wish to dispose of an electrical or electronic device, request the necessary information from your seller or supplier.

Disposal in other countries outside the European Union

If you wish to dispose of this product, request the necessary information about the correct disposal method from local government departments or from your seller.



This product meets all the basic EU regulation requirements that relate to it.

Changes to the text, design and technical specifications may occur without prior notice and we reserve the right to make these changes.

Electric Insect Killer

SIK 50B / SIK 50G

NOTES