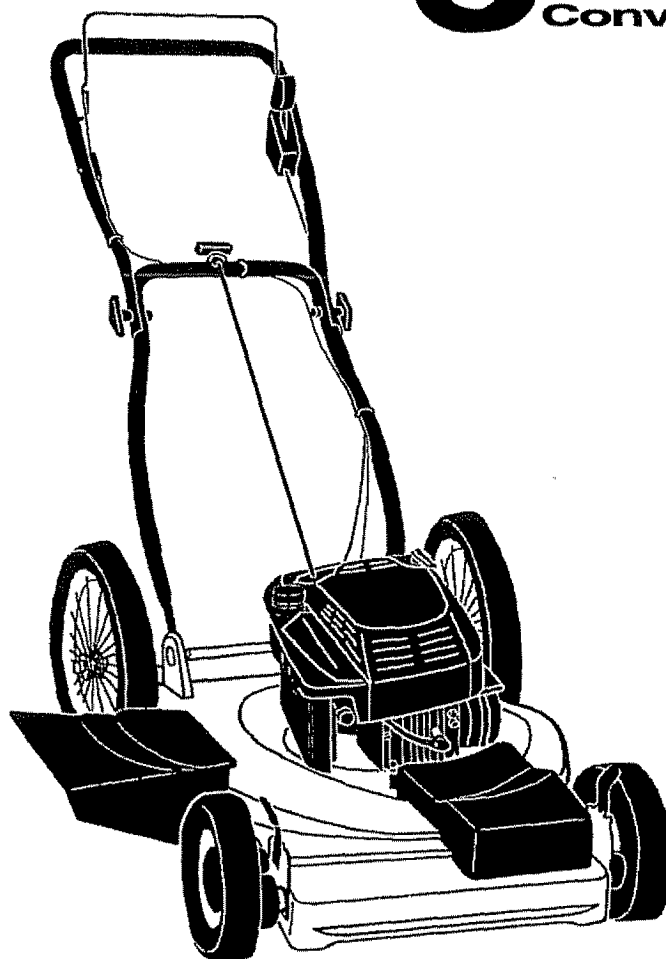


**SEARS**

# CRAFTSMAN<sup>®</sup>

MODEL NUMBER 917.378571 OWNER'S MANUAL

**3one<sup>™</sup>**  
Convertible



- Assembly
- Operation
- Customer Responsibilities
- Service
- Adjustments
- Repair Parts

**Caution:**  
Read and Follow  
all Safety Rules  
and Instructions  
Before Operating  
This Equipment

145946 08.11.94

Printed in U.S.A.

Sears, Roebuck and Co., Hoffman Estates, IL 60179 U.S.A.

# SAFETY RULES



**CAUTION: ALWAYS DISCONNECT SPARK PLUG WIRE AND PLACE WIRE WHERE IT CANNOT CONTACT SPARK PLUG TO PREVENT ACCIDENTAL STARTING WHEN SETTING UP, TRANSPORTING, ADJUSTING OR MAKING REPAIRS.**



## IMPORTANT

**SAFETY STANDARDS REQUIRE OPERATOR PRESENCE CONTROLS TO MINIMIZE THE RISK OF INJURY. YOUR UNIT IS EQUIPPED WITH SUCH CONTROLS. DO NOT ATTEMPT TO DEFEAT THE FUNCTION OF THE OPERATOR PRESENCE CONTROLS UNDER ANY CIRCUMSTANCES.**

### TRAINING:

- Read this operator's manual carefully. Become familiar with the controls and know how to operate your mower properly. Learn how to quickly stop mower.
- Do not allow children to use your mower. Never allow adults to use mower without proper instructions.
- Keep the area of operation clear of all persons, especially small children and pets.
- Use mower only as the manufacturer intended and as described in this manual.
- Do not operate mower if it has been dropped or damaged in any manner. Always have damage repaired before using your mower.
- Do not use accessory attachments that are not recommended by the manufacturer. Use of such attachments may be hazardous.
- The blade turns when the engine is running.

### PREPARATION:

- Always thoroughly check the area to be mowed and clear it of all stones, sticks, wires, bones, and other foreign objects. These objects will be thrown by the blade and can cause severe injury.
- Always wear safety glasses or eye shields when starting and while using your mower.
- Dress properly. Do not operate mower when barefoot or wearing open sandals. Wear only solid shoes with good traction when mowing.
- Check fuel tank before starting engine. Do not fill gas tank indoors, when the engine is running or when the engine is hot. Allow the engine to cool for several minutes before filling the gas tank. Clean off any spilled gasoline before starting the engine.
- Always make wheel height adjustments before starting your mower. Never attempt to do this while the engine is running.
- Mow only in daylight or good artificial light.

### OPERATION:

- Keep your eyes and mind on your mower and the area being cut. Do not let other interests distract you.
- Do not mow wet or slippery grass. Never run while operating your mower. Always be sure of your footing - keep a firm hold on the handles and walk.
- Do not put hands or feet near or under rotating parts. Keep clear of the discharge opening at all times.

- Always stop the engine whenever you leave or are not using your mower, or before crossing driveways, walks, roads, and any gravel-covered areas.
- Never direct discharge of material toward bystanders nor allow anyone near the mower while you are operating it.
- Before cleaning, inspecting, or repairing your mower, stop the engine and make absolutely sure the blade and all moving parts have stopped. Then disconnect the spark plug wire and keep it away from the spark plug to prevent accidental starting.
- Do not continue to run your mower if you hit a foreign object. Follow the procedure outlined above, then repair any damage before restarting and operating your mower.
- Do not change the governor settings or overspeed the engine. Engine damage or personal injury may result.
- Do not operate your mower if it vibrates abnormally. Excessive vibration is an indication of damage; stop the engine, safely check for the cause of vibration and repair as required.
- Do not run the engine indoors. Exhaust fumes are dangerous.
- Never cut grass by pulling the mower towards you. Mow across the face of slopes, never up and down or you might lose your footing. Do not mow excessively steep slopes. Use caution when operating the mower on uneven terrain or when changing directions - maintain good footing.
- Never operate your mower without proper guards, plates, grass catcher or other safety devices in place.

### MAINTENANCE AND STORAGE:

- Check the blade and the engine mounting bolts often to be sure they are tightened properly.
- Check all bolts, nuts and screws at frequent intervals for proper tightness to be sure mower is in safe working condition.
- Keep all safety devices in place and working.
- To reduce fire hazard, keep the engine free of grass, leaves or excessive grease and oil.
- Check grass catcher often for deterioration and wear and replace worn bags. Use only replacement bags that are recommended by and comply with specifications of the manufacturer of your mower.
- Always keep a sharp blade on your mower.
- Allow engine to cool before storing in any enclosure.
- Never store mower with fuel in the tank inside a building where fumes may reach an open flame or an ignition source such as a hot water heater, space heater, clothes dryer, etc.



**LOOK FOR THIS SYMBOL TO POINT OUT IMPORTANT SAFETY PRECAUTIONS. IT MEANS - ATTENTION!!! BECOME ALERT!!! YOUR SAFETY IS INVOLVED.**

**CONGRATULATIONS** on your purchase of a Sears Lawn Mower. It has been designed, engineered and manufactured to give you the best possible dependability and performance.

Should you experience any problem you cannot easily remedy, please contact your nearest Sears Authorized Service Center/Department. We have competent, well-trained technicians and the proper tools to service or repair this lawn mower.

Please read and retain this manual. The instructions will enable you to assemble and maintain your lawn mower properly. Always observe the "SAFETY RULES".

MODEL NUMBER	917.378571
SERIAL NUMBER	_____
DATE OF PURCHASE	_____
THE MODEL AND SERIAL NUMBERS WILL BE FOUND ON A DECAL ATTACHED TO THE REAR OF THE LAWN MOWER HOUSING	
YOU SHOULD RECORD BOTH SERIAL NUMBER AND DATE OF PURCHASE AND KEEP IN A SAFE PLACE FOR FUTURE REFERENCE.	

## PRODUCT SPECIFICATIONS

HORSEPOWER:	5.5
DISPLACEMENT:	11.57 CU. IN.
GASOLINE CAPACITY AND TYPE:	1.6 QUARTS UNLEADED REGULAR
OIL TYPE (API-SF/SG):	SAE 30 (ABOVE 32°F) SAE 5W-30 (below 32°F)
OIL CAPACITY:	20 OZS.
SPARK PLUG: (GAP: .030")	CHAMPION RJ19-LM STD361458
VALVE CLEARANCE:	INTAKE: .005"-.007" EXHAUST: .007"-.009"
SOLID STATE IGNITION AIR GAP:	.010 IN.
BLADE BOLT TORQUE:	35-40 FT. LBS.

## MAINTENANCE AGREEMENT

A Sears Maintenance Agreement is available on this product. Contact your nearest Sears store for details.

## CUSTOMER RESPONSIBILITIES

- Read and observe the safety rules.
- Follow a regular schedule in maintaining, caring for and using your lawn mower.
- Follow the instructions under "Customer Responsibilities" and "Storage" sections of this owner's manual.

## LIMITED TWO YEAR WARRANTY ON CRAFTSMAN POWER MOWER

For two years from date of purchase, when this Craftsman Lawn Mower is maintained, lubricated, and tuned up according to the operating and maintenance instructions in the owner's manual, Sears will repair free of charge any defect in material or workmanship.

If this Craftsman Lawn Mower is used for commercial or rental purposes, this warranty applies for only 90 days from the date of purchase.

This Warranty does not cover:

- Expendable items which become worn during normal use, such as rotary mower blades, blade adapters, belts, air cleaners and spark plug.
- Repairs necessary because of operator abuse or negligence, including bent crankshafts and the failure to maintain the equipment according to the instructions contained in the owner's manual.

WARRANTY SERVICE IS AVAILABLE BY RETURNING THE CRAFTSMAN POWER MOWER TO THE NEAREST SEARS SERVICE CENTER/DEPARTMENT IN THE UNITED STATES. THIS WARRANTY APPLIES ONLY WHILE THIS PRODUCT IS IN USE IN THE UNITED STATES.

This Warranty gives you specific legal rights, and you may also have other rights which vary from state to state.

SEARS, ROEBUCK AND CO., D/817 WA, HOFFMAN ESTATES, ILLINOIS 60179



# TABLE OF CONTENTS

SAFETY RULES .....	2	MAINTENANCE SCHEDULE .....	9
PRODUCT SPECIFICATIONS .....	3	SERVICE AND ADJUSTMENTS .....	12-14
CUSTOMER RESPONSIBILITIES .....	3, 9-11	STORAGE .....	15
WARRANTY .....	3	REPAIR PARTS - LAWN MOWER .....	16-20
ASSEMBLY .....	5	REPAIR PARTS - ENGINE .....	21-26
OPERATION .....	6-8	TROUBLESHOOTING .....	27
		PARTS ORDERING/SERVICE .....	28

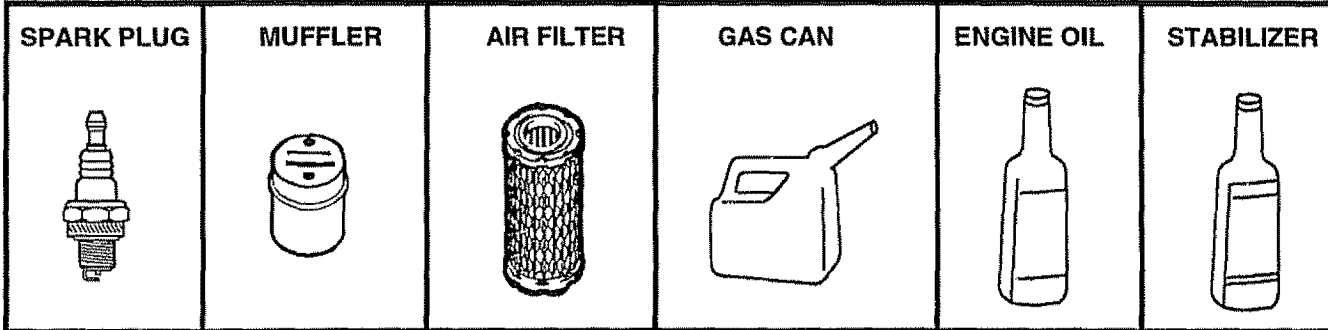
## INDEX

<p style="text-align: center;"><b>A</b></p> <p>Accessories ..... 5</p> <p>Adjustments:</p> <p style="padding-left: 20px;">Carburetor ..... 14</p> <p style="padding-left: 20px;">Engine Speed ..... 14</p> <p style="padding-left: 20px;">Handle Height ..... 13</p> <p style="padding-left: 20px;">Height of Cut ..... 7</p> <p>Air Filter:</p> <p style="padding-left: 20px;">Replacement ..... 11</p> <p style="padding-left: 20px;">Service ..... 11</p> <p>Assembly ..... 5</p>	<p style="text-align: center;"><b>E</b></p> <p>Engine:</p> <p style="padding-left: 20px;">Air Filter ..... 11</p> <p style="padding-left: 20px;">Oil Change ..... 11</p> <p style="padding-left: 20px;">Oil Level ..... 11</p> <p style="padding-left: 20px;">Oil Type ..... 11</p> <p style="padding-left: 20px;">Starting ..... 8</p> <p style="padding-left: 20px;">Stopping ..... 8</p> <p style="padding-left: 20px;">Storage ..... 15</p>	<p>Operation:</p> <p style="padding-left: 20px;">Drive Control ..... 7</p> <p style="padding-left: 20px;">Engine Control ..... 7</p> <p style="padding-left: 20px;">Grass Catcher ..... 10</p> <p style="padding-left: 20px;">Mower ..... 7</p> <p style="padding-left: 20px;">Operator Presence Control Bar ..... 7</p> <p>Options:</p> <p style="padding-left: 20px;">Accessories ..... 5</p>
<p style="text-align: center;"><b>B</b></p> <p>Blade:</p> <p style="padding-left: 20px;">Sharpening ..... 10</p> <p style="padding-left: 20px;">Replacement ..... 10</p>	<p style="text-align: center;"><b>F</b></p> <p>Fuel:</p> <p style="padding-left: 20px;">Capacity ..... 3</p> <p style="padding-left: 20px;">Storage ..... 15</p> <p style="padding-left: 20px;">Type ..... 8</p>	<p style="text-align: center;"><b>R</b></p> <p>Repair Parts:</p> <p style="padding-left: 20px;">Engine ..... 21-26</p> <p style="padding-left: 20px;">Lawn Mower ..... 16-20</p> <p>Responsibilities, Customer .... 3, 9-11</p>
<p style="text-align: center;"><b>C</b></p> <p>Controls:</p> <p style="padding-left: 20px;">Drive Control ..... 7</p> <p style="padding-left: 20px;">Engine Zone Control ..... 7</p> <p style="padding-left: 20px;">Engine Speed Control ..... 6</p> <p style="padding-left: 20px;">Operator Presence Control Bar ..... 6</p> <p>Customer Responsibilities .... 3, 9-11</p> <p style="padding-left: 20px;">Air Filter ..... 11</p> <p style="padding-left: 20px;">Blade Care/Replacement ..... 10</p> <p style="padding-left: 20px;">Drive Wheels ..... 10</p> <p style="padding-left: 20px;">Engine ..... 11</p> <p style="padding-left: 20px;">Lubrication ..... 11</p> <p style="padding-left: 20px;">Spark Plug ..... 11</p> <p>Cutting Levels ..... 7</p>	<p style="text-align: center;"><b>H</b></p> <p>Handle Adjustment:</p> <p style="padding-left: 20px;">Assembly ..... 5</p> <p style="padding-left: 20px;">Cutting Height ..... 7</p>	<p style="text-align: center;"><b>S</b></p> <p>Safety Rules ..... 2</p> <p>Service and Adjustments ..... 12-14</p> <p style="padding-left: 20px;">Carburetor ..... 14</p> <p style="padding-left: 20px;">Discharge Guard ..... 12</p> <p style="padding-left: 20px;">Drive Belt ..... 12</p> <p style="padding-left: 20px;">Engine Speed ..... 14</p> <p style="padding-left: 20px;">Handle ..... 13</p> <p>Spark Plug ..... 11</p> <p>Specifications ..... 3</p> <p>Speed Control:</p> <p style="padding-left: 20px;">Engine ..... 14</p> <p>Starting the Engine ..... 8</p> <p>Stopping the Engine ..... 8</p> <p>Storage ..... 15</p>
<p style="text-align: center;"><b>L</b></p> <p>Lubrication:</p> <p style="padding-left: 20px;">Engine ..... 11</p> <p style="padding-left: 20px;">Lawn Mower ..... 9</p>	<p style="text-align: center;"><b>M</b></p> <p>Maintenance Agreement ..... 3</p> <p>Maintenance Schedule ..... 9</p> <p>Mowing Tips ..... 8</p>	<p style="text-align: center;"><b>T</b></p> <p>Trouble Shooting Chart ..... 27</p>
<p style="text-align: center;"><b>O</b></p> <p>Oil:</p> <p style="padding-left: 20px;">Engine ..... 11</p> <p style="padding-left: 20px;">Storage ..... 15</p>	<p style="text-align: center;"><b>W</b></p> <p>Warranty ..... 3</p>	

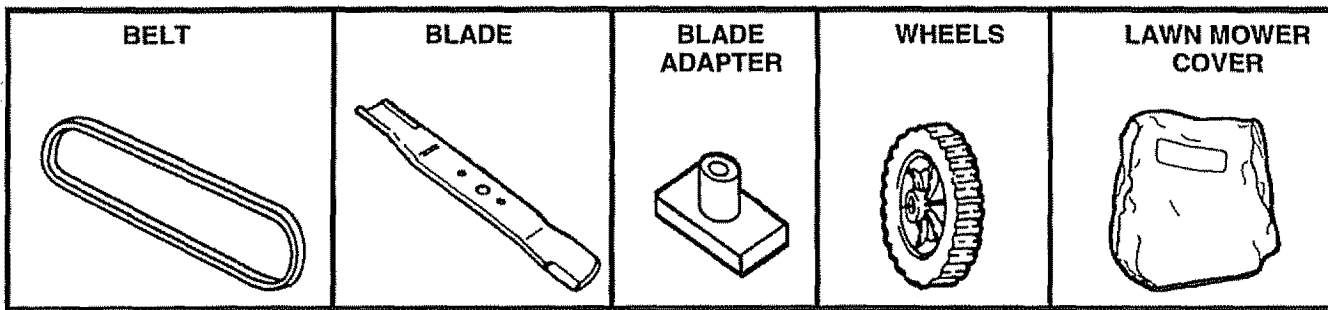
# LAWN MOWER ACCESSORIES

These accessories were available when this lawn mower was produced. They are also available at most Sears retail outlets and service centers. Most Sears stores can also order repair parts for you, when you provide the model number of your lawn mower. Some of these accessories may not apply to your lawn mower.

## ENGINE



## LAWN MOWER MAINTENANCE



## ASSEMBLY

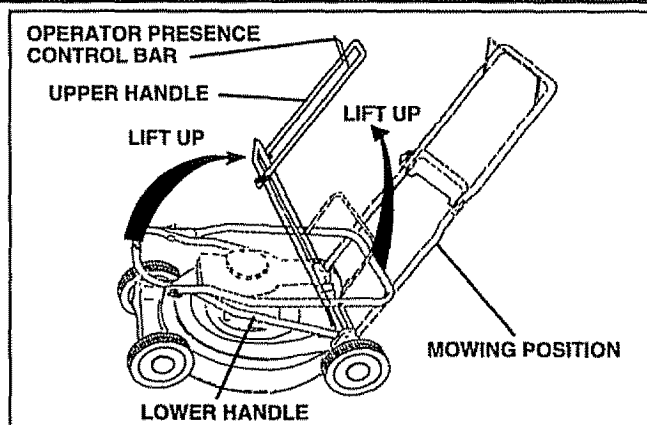
Read these instructions and this manual in its entirety before you attempt to assemble or operate your new lawn mower. Your new lawn mower has been assembled at the factory with the exception of those parts left unassembled for shipping purposes. To ensure safe and proper operation of your lawn mower, all parts and hardware you assemble must be tightened securely. Use the correct tools as necessary to ensure proper tightness. All parts such as nuts, washers, bolts, etc., necessary to complete the assembly have been placed in the parts bag.

### TO REMOVE LAWN MOWER FROM CARTON

- Remove loose parts included with mower.
- Cut down two end corners of carton and lay end panel down flat.
- Remove all packing materials except padding between upper and lower handle and padding holding operator presence control bar to upper handle.
- Roll lawn mower out of carton and check carton thoroughly for additional loose parts.

### HOW TO SET UP YOUR LAWN MOWER TO UNFOLD HANDLE (See Fig. 1)

**IMPORTANT:** UNFOLD HANDLE CAREFULLY SO AS NOT TO PINCH OR DAMAGE CONTROL CABLES.



**FIG. 1**

- Raise handles until lower handle section locks into place in mowing position.
- Raise upper handle section into place on lower handle, remove protective padding and tighten both handle knobs.
- Remove handle padding holding operator presence control bar to upper handle.
- Your lawn mower handle can be adjusted for your mowing comfort. See "To Adjust Handle" in the Service and Adjustments section of this manual.

---

# OPERATION

---

## KNOW YOUR LAWN MOWER

READ THIS OWNER'S MANUAL AND SAFETY RULES BEFORE OPERATING YOUR LAWN MOWER. Compare the illustrations with your lawn mower to familiarize yourself with the location of various controls and adjustments. Save this manual for future reference.

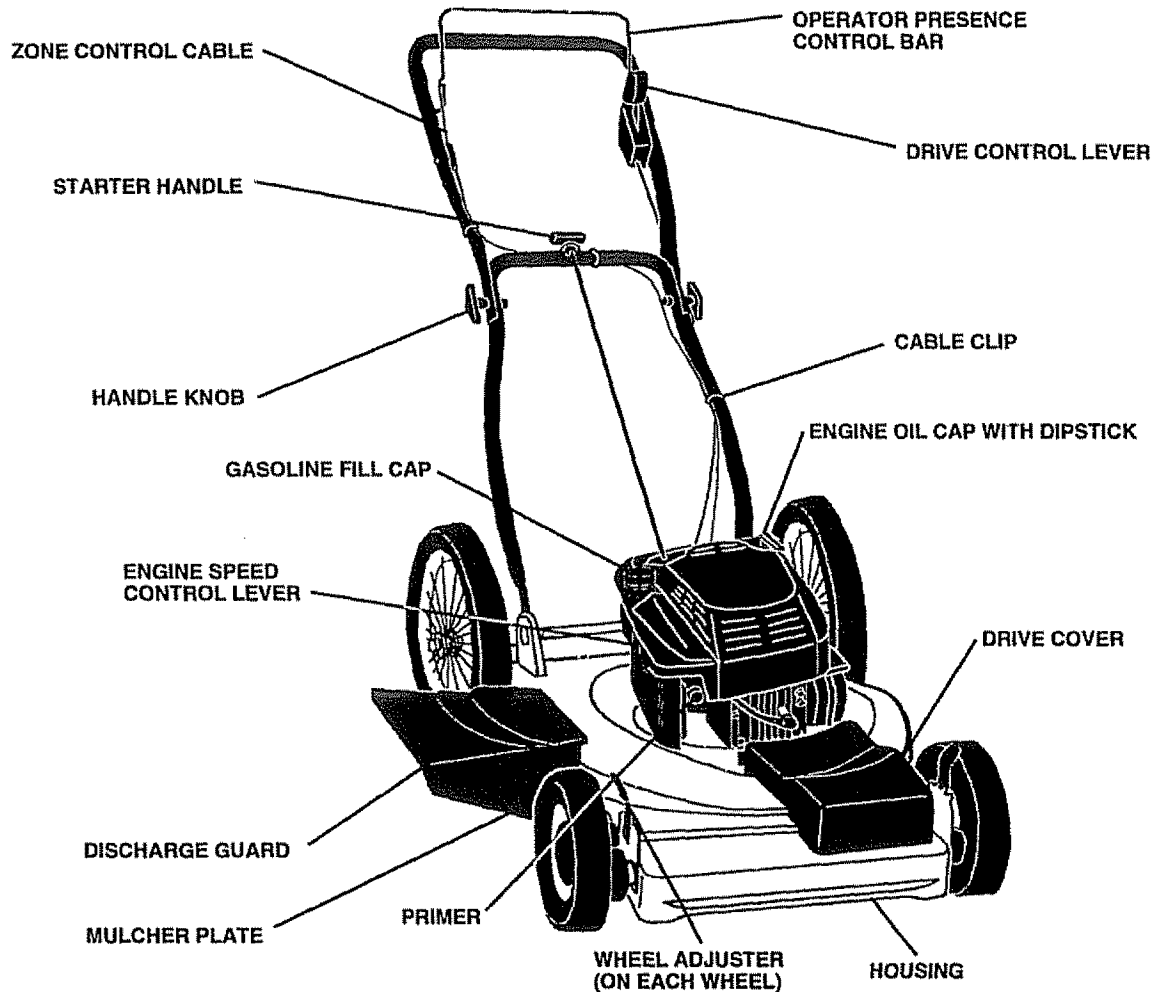


FIG. 2

---

### MEETS CPSC SAFETY REQUIREMENTS

Sears rotary walk-behind power lawn mowers conform to the safety standards of the American National Standards Institute and the U.S. Consumer Product Safety Commission. The blade turns when the engine is running.

**OPERATOR PRESENCE CONTROL** - must be held down to the handle to start the engine. Release to stop the engine.

**STARTER HANDLE** - used for starting the engine.

**DRIVE CONTROL LEVER** - used to engage power-propelled forward motion of lawn mower.

**PRIMER** - pumps additional fuel from the carburetor to the cylinder for use when starting a cold engine.

**ENGINE SPEED CONTROL LEVER** - located on the side of the engine which allows you to select either fast (🔊) or slow (🔇) engine speed.

**MULCHER PLATE** - Located at the discharge opening must be removed when converting to bagging or discharging operation.

# OPERATION

## HOW TO USE YOUR LAWN MOWER

### ENGINE SPEED (See Fig. 3)

The engine speed is controlled by a lever located on the side of the engine. Fast (🔥) position is for starting engine, normal cutting and better grass bagging. Slow (🌿) position is for light cutting, trimming and fuel economy.

### ENGINE ZONE CONTROL



**CAUTION:** Federal regulations require an engine control to be installed on this lawn mower in order to minimize the risk of blade contact injury. Do not under any circumstances attempt to defeat the function of the operator control. The blade turns when the engine is running.

- Your lawn mower is equipped with an operator presence control bar which requires the operator to be positioned behind the lawn mower handle to start and operate the lawn mower.

### DRIVE CONTROL (See Fig. 4)

- Self-propelling is controlled by holding the operator presence control bar down to the handle and pushing the drive control lever forward until it clicks; then release the lever.
- Forward motion will stop when the operator presence control bar is released. To stop forward motion without stopping engine, release the operator presence control bar slightly until the drive control disengages. Hold operator presence control bar down to handle to continue mowing without self-propelling.
- To keep drive control engaged when turning corners, push down on handle and lift front wheels off ground while turning lawn mower.

### TO ADJUST CUTTING HEIGHT (See Fig. 5)

- Raise wheels for low cut and lower wheels for high cut.
- Wheels are set in low cut for shipping. Adjust cutting height to suit your requirements. Medium position is best for most lawns.
- To change cutting height, squeeze adjuster lever toward wheel. Move wheel up or down to suit your requirements. Be sure all wheels are in the same setting.

### TO CONVERT TO DISCHARGING MOWER (See Fig. 6)

Your mower is shipped ready to be used as a mulcher. To convert to bagging or discharging:

- Lift discharge guard and remove mulcher plate.
- Mower can now be used for side discharging or optional grass catcher can be attached.
- To return to mulching operation, simply reinstall mulcher plate as shown.



**CAUTION:** Do not run your lawn mower without discharge guard, approved grass catcher or mulcher plate in place.

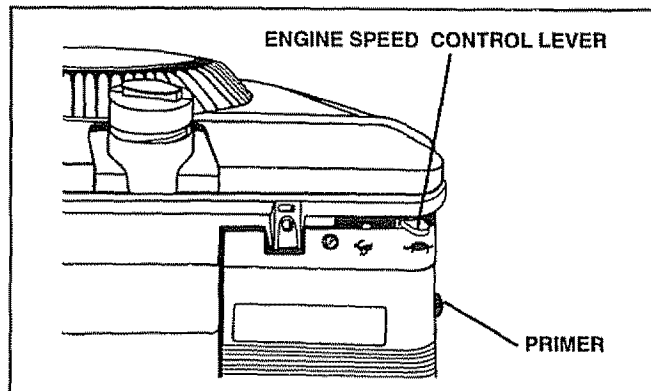


FIG. 3

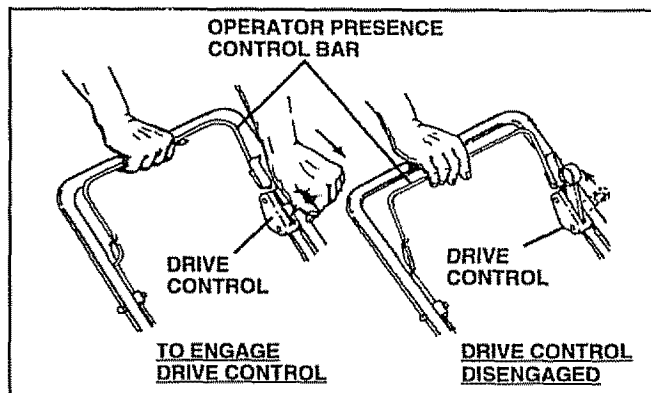


FIG. 4

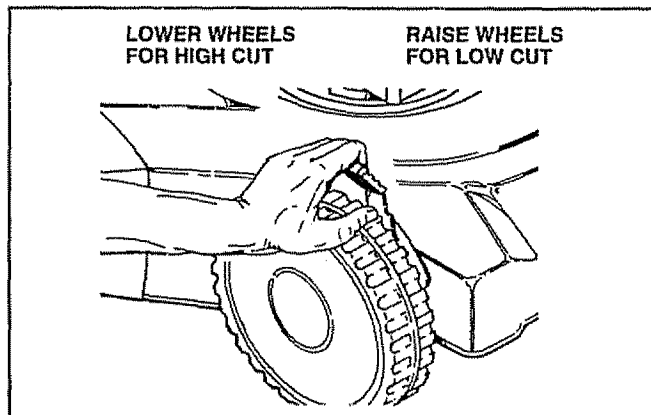


FIG. 5

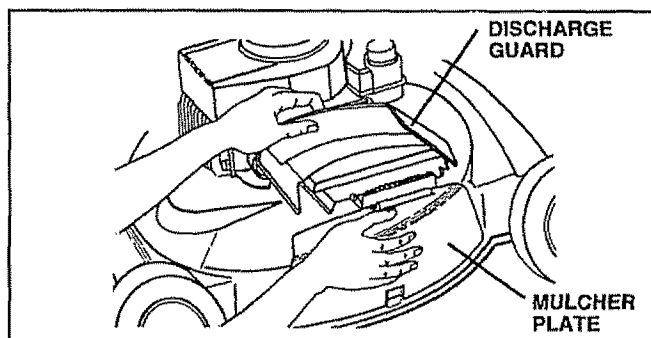


FIG. 6

# OPERATION

## BEFORE STARTING ENGINE

### OIL (See Fig. 7)

Your lawn mower is shipped without oil in the engine.

- Be sure mower is level and area around oil fill is clean.
- Remove engine oil cap w/dipstick and fill to the full line on the dipstick.
- Use 20 ozs. of oil. For type and grade of oil to use, see "ENGINE" in Customer Responsibilities section of this manual.
- Pour oil slowly. Do not over fill.
- Check oil level before each use. Add oil if needed. Fill to full line on dipstick.
- To read proper level, tighten engine oil cap each time.
- Reinstall engine oil cap and tighten.
- After the first two (2) hours of mowing, change the oil, and every 25 hours thereafter. You may need to change the oil more often under dusty, dirty conditions.

### GAS (See Fig. 7)

- Fill gasoline tank with fresh, clean, unleaded gasoline. **DO NOT USE PREMIUM GASOLINE. BE CAREFUL NOT TO OVER FILL TANK.**

**WARNING:** Experience indicates that alcohol blended fuels (called gasohol or using ethanol or methanol) can attract moisture which leads to separation and formation of acids during storage. Acidic gas can damage the fuel system of an engine while in storage. To avoid engine problems, the fuel system should be emptied before storage of 30 days or longer. Drain the fuel tank, start the engine and let it run until fuel lines and carburetor are empty. Use fresh fuel next season. See Storage Instructions for additional information. Never use engine or carburetor cleaner products in fuel tank or permanent damage may occur.

## TO START ENGINE

- To start a cold engine, push primer three (3) times before trying to start. Use a firm push. This step is not usually necessary when starting an engine which has already run for a few minutes.
- Push engine speed control lever to fast (⚡) position.
- Hold operator presence control bar down to the handle and pull starter handle quickly. **DO NOT** allow starter rope to snap back.
- To STOP engine, release operator presence control bar.

**NOTE:** In cooler weather it may be necessary to repeat priming steps. In warmer weather over priming may cause flooding and engine will not start. If you do flood engine, wait a few minutes before attempting to start and **DO NOT** repeat priming steps.

## MOWING TIPS

- Under certain conditions, such as very tall grass, it may be necessary to raise the height of cut to reduce pushing effort and to keep from overloading the engine and leaving clumps of grass clippings.
- For extremely heavy cutting, reduce the width of cut by overlapping previously cut path and mow slowly.
- For better grass bagging and most cutting conditions, the engine speed should be set in the fast (⚡) position.
- For side discharge lawn mowers, cutting in a counter-clockwise direction, starting at the outside of the area to be cut, spreads grass clippings more evenly and puts less load on the engine. To keep clippings off of walkways, flower beds, etc., make the first cuts in a clockwise direction.

Pores in cloth grass catchers can become filled with dirt

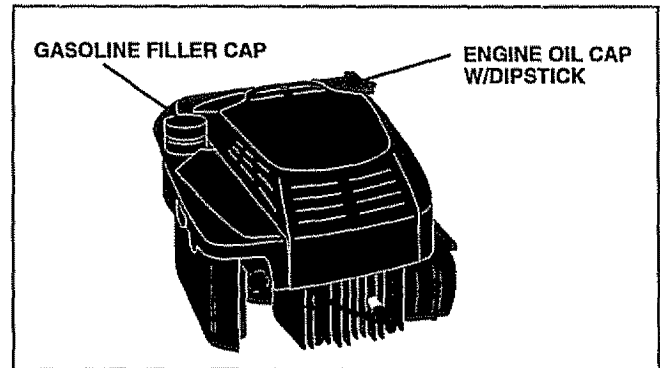


FIG.7

and dust with use and catchers will collect less grass. To prevent this, regularly hose catcher off with water and let dry before using.

- Keep top of engine around starter clear and clean of grass clippings and chaff. This will help engine air flow and extend engine life.

## MULCHING MOWING TIPS

**IMPORTANT:** FOR BEST PERFORMANCE, KEEP MOWER HOUSING FREE OF BUILT-UP GRASS AND TRASH. SEE "CLEANING" IN CUSTOMER RESPONSIBILITIES SECTION OF THIS MANUAL.

- The special mulching blade will recut the grass clippings many times and reduce them in size so that as they fall onto the lawn they will disperse into the grass and not be noticed. Also, the mulched grass will biodegrade quickly to provide nutrients for the lawn. Always mulch with your highest engine (blade) speed as this will provide the best recutting action of the blades.
- Avoid cutting your lawn when it is wet. Wet grass tends to form clumps and interferes with the mulching action. The best time to mow your lawn is the early afternoon. At this time the grass has dried and the newly cut area will not be exposed to the direct sun.
- For best results, adjust the lawn mower cutting height so that the lawn mower cuts off only the top one-third of the grass blades (See Fig. 8). If the lawn is overgrown it will be necessary to raise the height of cut to reduce pushing effort and to keep from overloading the engine and leaving clumps of mulched grass. For extremely heavy mulching, reduce your width of cut by overlapping previously cut path and mow slowly.
- Certain types of grass and grass conditions may require that an area be mulched a second time to completely hide the clippings. When doing a second cut, mow across or perpendicular to the first cut path.
- Change your cutting pattern from week to week. Mow north to south one week then change to east to west the next week. This will help prevent matting and graining of the lawn.

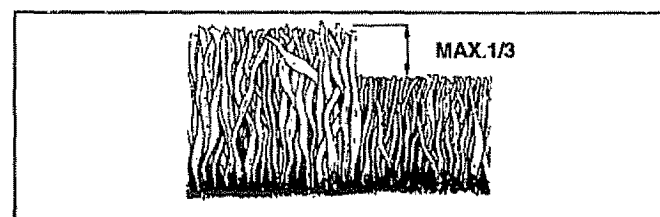


FIG.8

# CUSTOMER RESPONSIBILITIES

MAINTENANCE SCHEDULE		SERVICE DATES												
		BEFORE EACH USE	AFTER EACH USE	FIRST 2 HOURS	EVERY 5 HOURS	EVERY 25 HOURS	BEFORE STORAGE							
MOWER	Check for Loose Fasteners	✓					✓							
	Clean/Inspect Grass Catcher (If Equipped)	✓	✓					✓						
	Clean Lawn Mower	✓	✓					✓						
	Inspect/Clean Drive Wheels (Self-Propelled Mowers)	✓			✓									
	Sharpen/Replace Mower Blade					✓ <sup>3</sup>								
	Lubrication Chart					✓		✓						
	Clean Battery/Recharge (Electric Start Mowers)					✓		✓ <sup>4</sup>						
ENGINE	Check Engine Oil Level	✓		✓										
	Change Engine Oil		✓		✓ <sup>1,2</sup>									
	Clean Air Filter				✓ <sup>2</sup>									
	Inspect Muffler				✓									
	Replace Spark Plug						✓							
	Replace Air Filter Paper Cartridge						✓ <sup>2</sup>							

- 1 - Change more often when operating under a heavy load or in high ambient temperatures
- 2 - Service more often when operating in dirty or dusty conditions.
- 3 - Replace blades more often when mowing in sandy soil.
- 4 - Charge 48 hours at end of season.

## GENERAL RECOMMENDATIONS

The warranty on this lawn mower does not cover items that have been subjected to operator abuse or negligence. To receive full value from the warranty, operator must maintain mower as instructed in this manual.

Some adjustments will need to be made periodically to properly maintain your unit.

All adjustments in the Service and Adjustments section of this manual should be checked at least once each season.

- Once a year, replace the spark plug, clean or replace air filter element and check blade for wear. A new spark plug and clean/new air filter element assures proper air-fuel mixture and helps your engine run better and last longer.
- Follow the maintenance schedule in this manual.

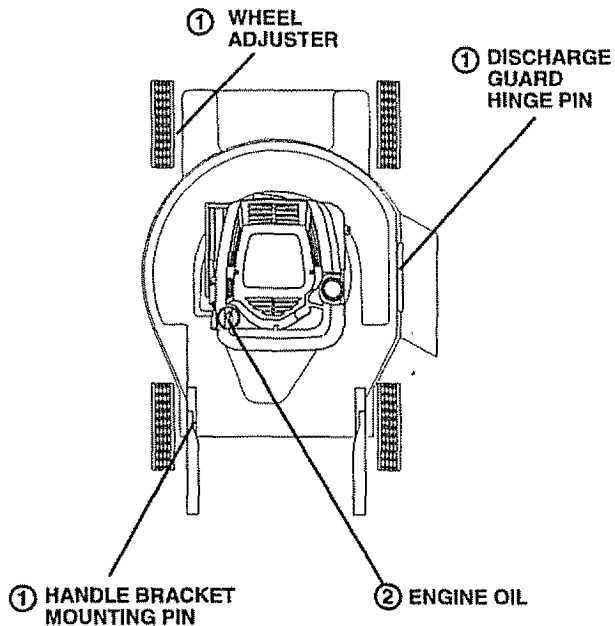
### BEFORE EACH USE

- Check engine oil level.
- Check for loose fasteners.

### LUBRICATION

Keep unit well lubricated (See "LUBRICATION CHART").

## LUBRICATION CHART



- ① SPRAY LUBRICANT
- ② REFER TO CUSTOMER RESPONSIBILITIES "ENGINE" SECTION.

**IMPORTANT:** DO NOT OIL OR GREASE PLASTIC WHEEL BEARINGS. VISCOUS LUBRICANTS WILL ATTRACT DUST AND DIRT THAT WILL SHORTEN THE LIFE OF THE SELF-LUBRICATING BEARINGS. IF YOU FEEL THEY MUST BE LUBRICATED, USE ONLY A DRY, POWERED GRAPHITE TYPE LUBRICANT SPARINGLY.



# CUSTOMER RESPONSIBILITIES

## LAWN MOWER

Always observe safety rules when performing any maintenance.

### TIRES

- Keep tires free of gasoline, oil, or insect control chemicals which can harm rubber.
- Avoid stumps, stones, deep ruts, sharp objects and other hazards that may cause tire damage.

### BLADE CARE

For best results, mower blade must be kept sharp. Replace bent or damaged blades.

#### TO REMOVE BLADE (See Fig. 9)

- Disconnect spark plug wire from spark plug and place wire where it cannot come in contact with spark plug.
- Turn lawn mower on its side. Make sure air filter and carburetor are up.
- Use a wood block between blade and mower housing to prevent blade from turning when removing blade bolt.
- Protect your hands with gloves and/or wrap blade with heavy cloth.
- Remove blade bolt by turning counter-clockwise. Use a 9/16" box or open-end wrench.
- Remove blade and attaching hardware (bolt, lock washer and hardened washer).

**NOTE:** Remove the blade adapter and check the key inside hub of blade adapter. The key must be in good condition to work properly. Replace adapter if damaged.

#### TO REPLACE BLADE (See Fig. 9)

- Position the blade adapter on the engine crankshaft. Be sure key in adapter and crankshaft keyway are aligned.
- Position blade on the blade adapter aligning the two (2) holes in the blade with the raised lugs on the adapter.
- Be sure the trailing edge of blade (opposite sharp edge) is up toward the engine.
- Install the blade bolt with the lock washer and hardened washer into blade adapter and crankshaft.
- Use block of wood between blade and lawn mower housing and tighten the blade bolt, turning clockwise.
- The recommended tightening torque is 35-40 ft. lbs.

**IMPORTANT:** BLADE BOLT IS GRADE 8 HEAT TREATED.

**NOTE:** We do not recommend sharpening blade - but if you do, be sure the blade is balanced.

#### TO SHARPEN BLADE

Care should be taken to keep the blade balanced. An unbalanced blade will cause eventual damage to lawn mower or engine.

- The blade can be sharpened with a file or on a grinding wheel. Do not attempt to sharpen while on the mower.
- To check blade balance, drive a nail into a beam or wall. Leave about one inch of the straight nail exposed. Place center hole of blade over the head of the nail. If blade is balanced, it should remain in a horizontal position. If either end of the blade moves downward, sharpen the heavy end until the blade is balanced.

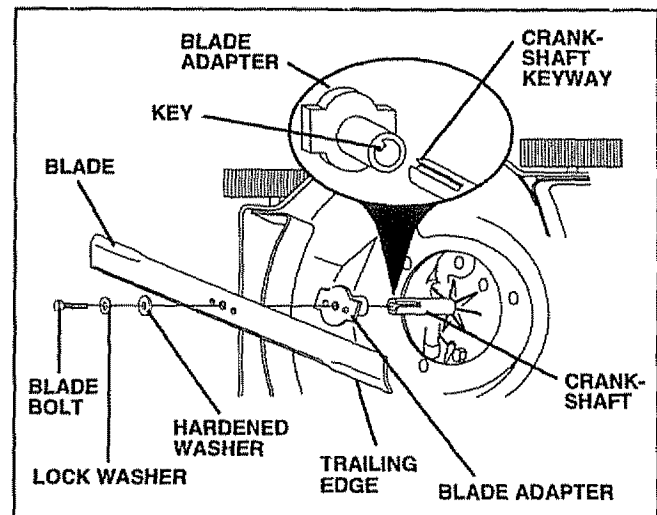


FIG. 9

### DRIVE WHEELS

Check front drive wheels each time before you mow to be sure they move freely.

The wheels not turning freely means trash, grass cuttings, etc. are in the drive wheel area and must be cleaned to free drive wheels.

If necessary to clean the drive wheels, check both front wheels.

- Remove hubcaps, hairpin cotters and washers.
- Remove wheels from wheel adjusters.
- Remove any trash or grass cuttings from inside the dust cover, pinion and/or drive wheel gear teeth.
- Put wheels back in place.
- If after cleaning, the drive wheels do not turn freely, contact your nearest authorized service center.

### GEAR CASE

- To keep your drive system working properly, the gear case and area around the drive should be kept clean and free of trash build-up. Clean under the drive cover twice a season.
- The gear case is filled with lubricant to the proper level at the factory. The only time the lubricant needs attention is if service has been performed on the gear case.
- If lubricant is required, use only Texaco Starplex Premium 1 Grease, Part No. 750369. Do not substitute.

### GRASS CATCHER

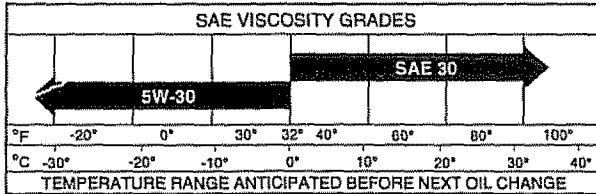
(If purchased as an accessory)

- The grass catcher may be hosed with water, but must be dry when used.
- Check your grass catcher often for damage or deterioration. Through normal use it will wear. If catcher needs replacing, replace only with a manufacturer approved replacement catcher. Give the lawn mower model number when ordering.

# CUSTOMER RESPONSIBILITIES

## ENGINE LUBRICATION

Use only high quality detergent oil rated with API service classification SF or SG. Select the oil's SAE viscosity grade according to your expected operating temperature.



**NOTE:** Although multi-viscosity oils (5W30, 10W30 etc.) improve starting in cold weather, these multi-viscosity oils will result in increased oil consumption when used above 32°F. Check your engine oil level more frequently to avoid possible engine damage from running low on oil. Change the oil after the first two hours of operation and every 25 hours thereafter or at least once a year if the lawn mower is not used for 25 hours in one year. Check the crankcase oil level before starting the engine and after each five (5) hours of continuous use. Add SAE 30 motor oil or equivalent. Tighten oil plug securely each time you check the oil level.

**TO CHANGE ENGINE OIL** (See Fig. 10)

**NOTE:** Before tipping lawn mower to drain oil, drain fuel tank by running engine until fuel tank is empty.

- Disconnect spark plug wire from spark plug and place wire where it cannot come in contact with spark plug.
- Remove engine oil cap; lay aside on a clean surface.
- Tip lawn mower on its side and drain oil into a suitable container. Rock lawn mower back and forth to remove any oil trapped inside of engine.
- Wipe off any spilled oil on lawn mower and on side of engine.
- Fill engine with oil. Fill only to the "FULL" line on the dipstick. **DO NOT OVER FILL.**
- Replace engine oil cap.
- Reconnect spark plug wire to spark plug.

## AIR FILTER

Your engine will not run properly and may be damaged by using a dirty air filter.

Replace the air filter every year, more often if you mow in very dusty, dirty conditions.

**TO SERVICE AIR FILTER** (See Fig. 11)

- Loosen screw and tilt cover as shown.
- Carefully remove cartridge.
- Clean by tapping gently on a flat surface. If very dirty, replace cartridge.



**CAUTION:** Petroleum solvents, such as kerosene, are not to be used to clean cartridge. They may cause deterioration of the cartridge. Do not oil cartridge. Do not use pressurized air to clean or dry cartridge.

- Install cartridge, then replace cover making sure the tabs are aligned with the slots in back plate. Fasten screw securely.

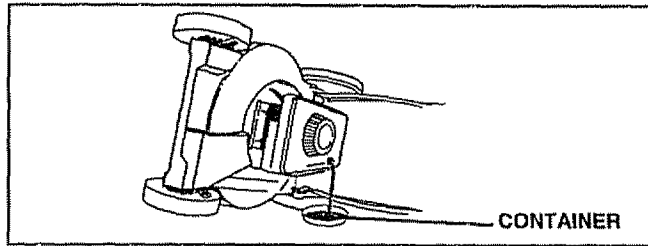


FIG. 10

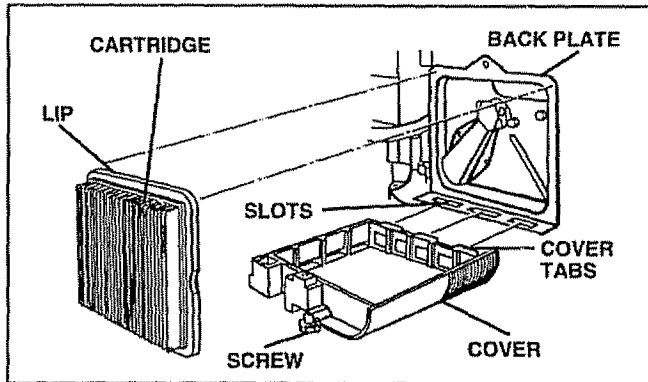


FIG. 11

## MUFFLER

Inspect and replace corroded muffler as it could create a fire hazard and/or damage.

## SPARK PLUG

Change your spark plug each year to make your engine start easier and run better. Set spark plug gap at .030 inch.

## CLEANING

**IMPORTANT:** FOR BEST PERFORMANCE, KEEP MOWER HOUSING FREE OF BUILT-UP GRASS AND TRASH. CLEAN THE UNDERSIDE OF YOUR MOWER AFTER EACH USE.



**CAUTION:** Disconnect spark plug wire from spark plug and place wire where it cannot come in contact with the spark plug.

- Turn lawn mower on its side. Make sure air filter and carburetor are up. Clean the underside of your lawn mower by scraping to remove build-up of grass and trash.
- Clean engine often to keep trash from accumulating. A clogged engine runs hotter and shortens engine life.
- Keep finished surfaces and wheels free of all gasoline, oil, etc.
- We do not recommend using a garden hose to clean lawn mower unless the electrical system, muffler, air filter and carburetor are covered to keep water out. Water in engine can result in shortened engine life.

## CLEAN UNDER DRIVE COVER

Clean under drive cover at least twice a season. Scrape underside of cover with putty knife or similar tool to remove any build-up of trash or grass on underside of drive cover.

# SERVICE AND ADJUSTMENTS



## CAUTION: BEFORE PERFORMING ANY SERVICE OR ADJUSTMENTS:

- Release control bar.
- Make sure the blade and all moving parts have completely stopped.
- Disconnect spark plug wire from spark plug and place where it cannot come in contact with plug.

## LAWN MOWER

### TO ADJUST CUTTING HEIGHT

See "TO ADJUST CUTTING HEIGHT" in the Operation section of this manual.

### DISCHARGE GUARD

The discharge guard, attached to the discharge opening of your lawn mower, is provided to prevent the possibility of injury resulting from objects being thrown out of the discharge opening into the operator mowing position. If the discharge guard becomes damaged, it should be replaced.

### TO REMOVE/REPLACE DRIVE BELT (See Fig. 12)

- Remove drive cover. Remove belt by pushing down on gear case pulley.
- Turn lawn mower on its side with carburetor and fuel cap up.
- Remove blade.
- Remove debris shield.
- Remove belt from engine pulley on crankshaft.
- Install new belt by reversing above steps.
- Always use factory approved belt to assure fit and long life.

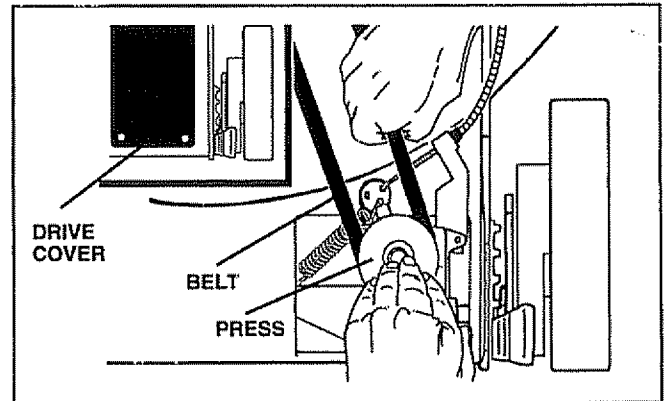


FIG. 12

# SERVICE AND ADJUSTMENTS

## TO ADJUST HANDLE (See Figs. 13 Thru 15)

Your lawn mower handle can be raised or lowered for your mowing comfort. Four (4) positions are available: high, medium high, medium low and low. Handles are shipped mounted in the medium low position.

- To change from medium low to medium high position, the upper and lower handle sections will have to be turned over (See Fig. 13B).
- Remove the controls and operator presence control bar from the upper handle.
- Remove the starter rope guide from the lower handle.
- Remove hairpin cotters.
- Disconnect the lower handle from the handle brackets (See Fig. 15).
- Turn the handle over and reassemble the hairpin cotters that have been removed.
- Reassemble the starter rope guide.
- Reassemble the controls and the operator presence control bar to the upper handle.

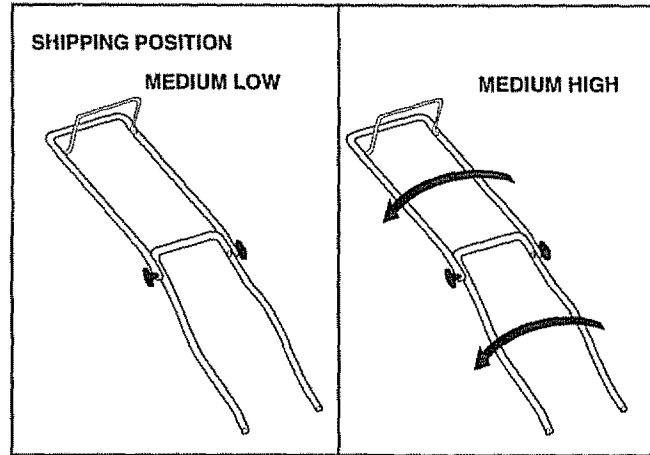


FIG. 13A

FIG. 13B

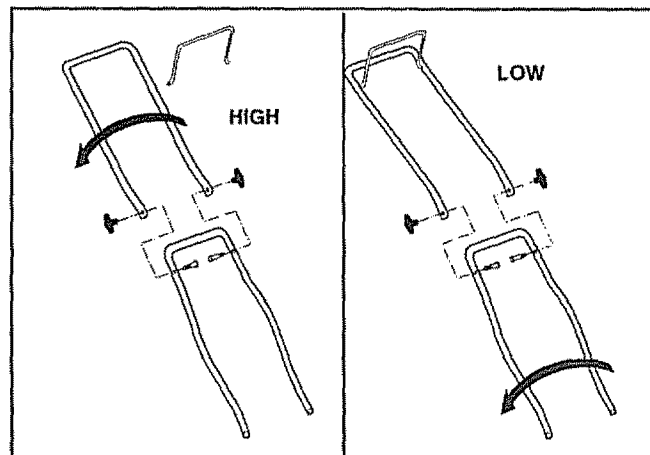



FIG. 14A

FIG. 14B



**CAUTION:** The operator presence control bar must pivot freely to permit blade brake engagement when control bar is released. Do not overtighten the fasteners holding the controls to the upper handle.

- To change from medium low to high position only the upper handle section will have to be turned over (See Fig. 14A).
- To change from medium low to low position, only the lower handle section will have to be turned over (See Fig. 14B).

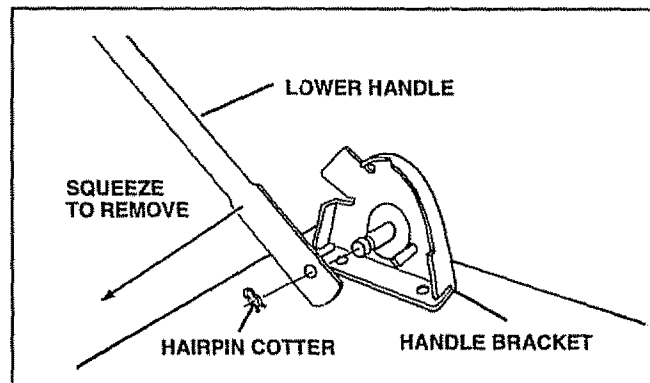


FIG. 15

# SERVICE AND ADJUSTMENTS

## ENGINE

### ENGINE SPEED

Your engine speed has been factory set. Do not attempt to increase engine speed or it may result in personal injury. If you believe that engine is running too fast or too slow, take your mower to an authorized service center for repair and adjustment.

### TO ADJUST CARBURETOR (See Fig. 16)

Minor carburetor adjustments may be required to compensate for differences in fuel, temperature, altitude or load. The air cleaner and air cleaner cover must be assembled to carburetor when running.

#### INITIAL ADJUSTMENT-

With the engine not running, gently turn idle mixture screw clockwise until it just closes. Screw may be damaged by turning it in too far.

Next open the screw one turn counter-clockwise. This initial adjustment will permit the engine to be started and warmed up (approximately 5 minutes) prior to final adjustment.

**NOTE:** DO NOT adjust top no load adjusting screw. It was pre-set at the factory.

#### FINAL ADJUSTMENT-

Place engine speed control lever in "IDLE" or "SLOW" (☞) position. Adjust idle RPM by turning idle speed adjusting screw to obtain 1700 RPM. Next, turn idle mixture screw in (clockwise - lean mixture) until engine just starts to slow. Then turn idle mixture screw out (counter-clockwise - rich

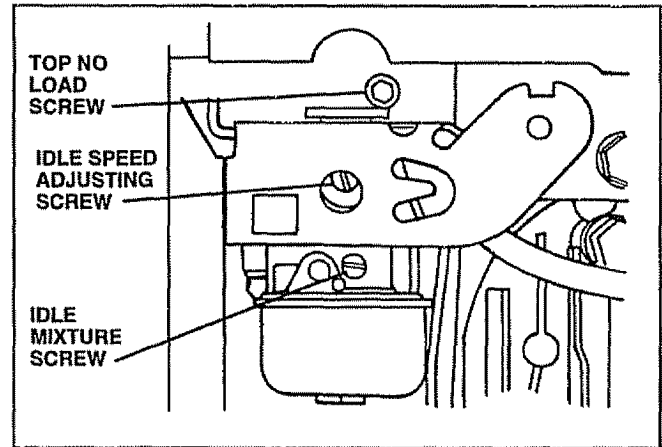


FIG. 16

mixture) until engine runs unevenly. Now turn idle mixture screw midway between rich and lean. Engine should accelerate smoothly. If engine does not accelerate properly, the carburetor should be readjusted, usually to a richer mixture, by turning the idle mixture screw counter-clockwise 1/8 turn more.

**IMPORTANT:** NEVER TAMPER WITH THE ENGINE GOVERNOR, WHICH IS FACTORY SET FOR PROPER ENGINE SPEED. OVERSPEEDING THE ENGINE ABOVE THE FACTORY HIGH SPEED SETTING CAN BE DANGEROUS. IF YOU THINK THE ENGINE-GOVERNED HIGH SPEED NEEDS ADJUSTING, CONTACT YOUR NEAREST AUTHORIZED SERVICE CENTER, WHICH HAS PROPER EQUIPMENT AND EXPERIENCE TO MAKE ANY NECESSARY ADJUSTMENTS.

# STORAGE

Immediately prepare your lawn mower for storage at the end of the season or if the unit will not be used for 30 days or more.

## LAWN MOWER

When lawn mower is to be stored for a period of time, clean it thoroughly, remove all dirt, grease, leaves, etc. Store in a clean, dry area.

- Clean entire lawn mower (See "CLEANING" in the Customers Responsibilities section of this manual).
- Lubricate as shown in the Customers Responsibilities section of this manual.
- Be sure that all nuts, bolts, screws, and pins are securely fastened. Inspect moving parts for damage, breakage and wear. Replace if necessary.
- Touch up all rusted or chipped paint surfaces; sand lightly before painting.

## HANDLE (See Fig. 17)

You can fold your lawn mower handle for storage.

- Squeeze the bottom ends of the lower handle toward each other until the lower handle clears the handle bracket, then move handle forward.
- Loosen upper handle mounting bolts enough to allow upper handle to be folded back.

**IMPORTANT:** WHEN FOLDING THE HANDLE FOR STORAGE OR TRANSPORTATION, BE SURE TO FOLD THE HANDLE AS SHOWN OR YOU MAY DAMAGE THE CONTROL CABLES.

- When setting up your handle from the storage position, the lower handle will automatically lock into the mowing position.

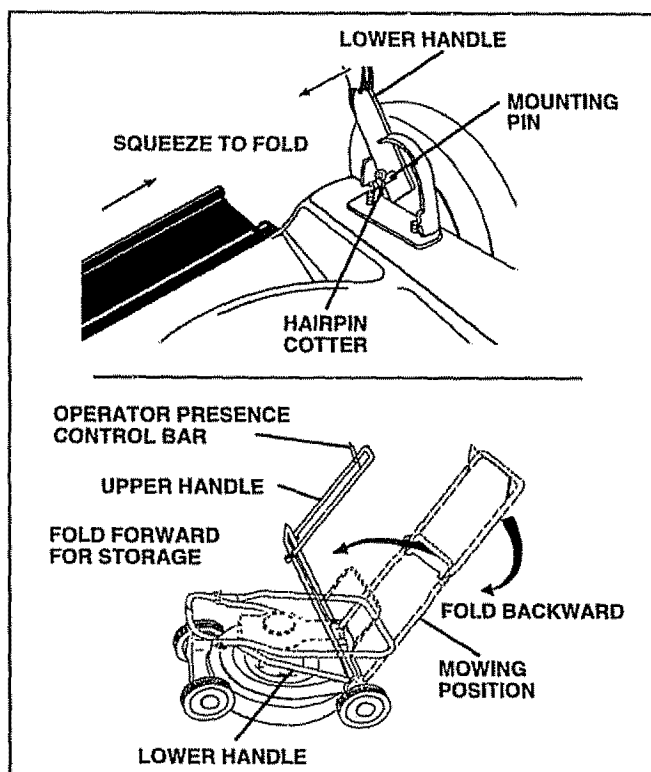


FIG. 17

## ENGINE FUEL SYSTEM

**IMPORTANT:** IT IS IMPORTANT TO PREVENT GUM DEPOSITS FROM FORMING IN ESSENTIAL FUEL SYSTEM PARTS SUCH AS CARBURETOR, FUEL FILTER, FUEL HOSE, OR TANK DURING STORAGE. ALSO, EXPERIENCE INDICATES THAT ALCOHOL BLENDED FUELS (CALLED GASOHOL OR USING ETHANOL OR METHANOL) CAN ATTRACT MOISTURE WHICH LEADS TO SEPARATION AND FORMATION OF ACIDS DURING STORAGE. ACIDIC GAS CAN DAMAGE THE FUEL SYSTEM OF AN ENGINE WHILE IN STORAGE.

- Drain the fuel tank.
- Start the engine and let it run until the fuel lines and carburetor are empty.
- Never use engine or carburetor cleaner products in the fuel tank or permanent damage may occur.
- Use fresh fuel next season.

**NOTE:** Fuel stabilizer is an acceptable alternative in minimizing the formation of fuel gum deposits during storage. Add stabilizer to gasoline in fuel tank or storage container. Always follow the mix ratio found on stabilizer container. Run engine at least 10 minutes after adding stabilizer to allow the stabilizer to reach the carburetor. Do not drain the gas tank and carburetor if using fuel stabilizer.

## ENGINE OIL

Drain oil (with engine warm) and replace with clean engine oil. (See "ENGINE" in the Customers Responsibilities section of this manual).

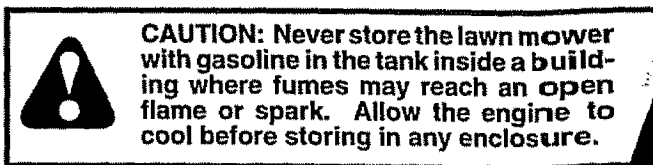
## CYLINDER

- Remove spark plug.
- Pour one ounce (29 ml) of oil through spark plug hole into cylinder.
- Pull starter handle slowly a few times to distribute oil.
- Replace with new spark plug.

## OTHER

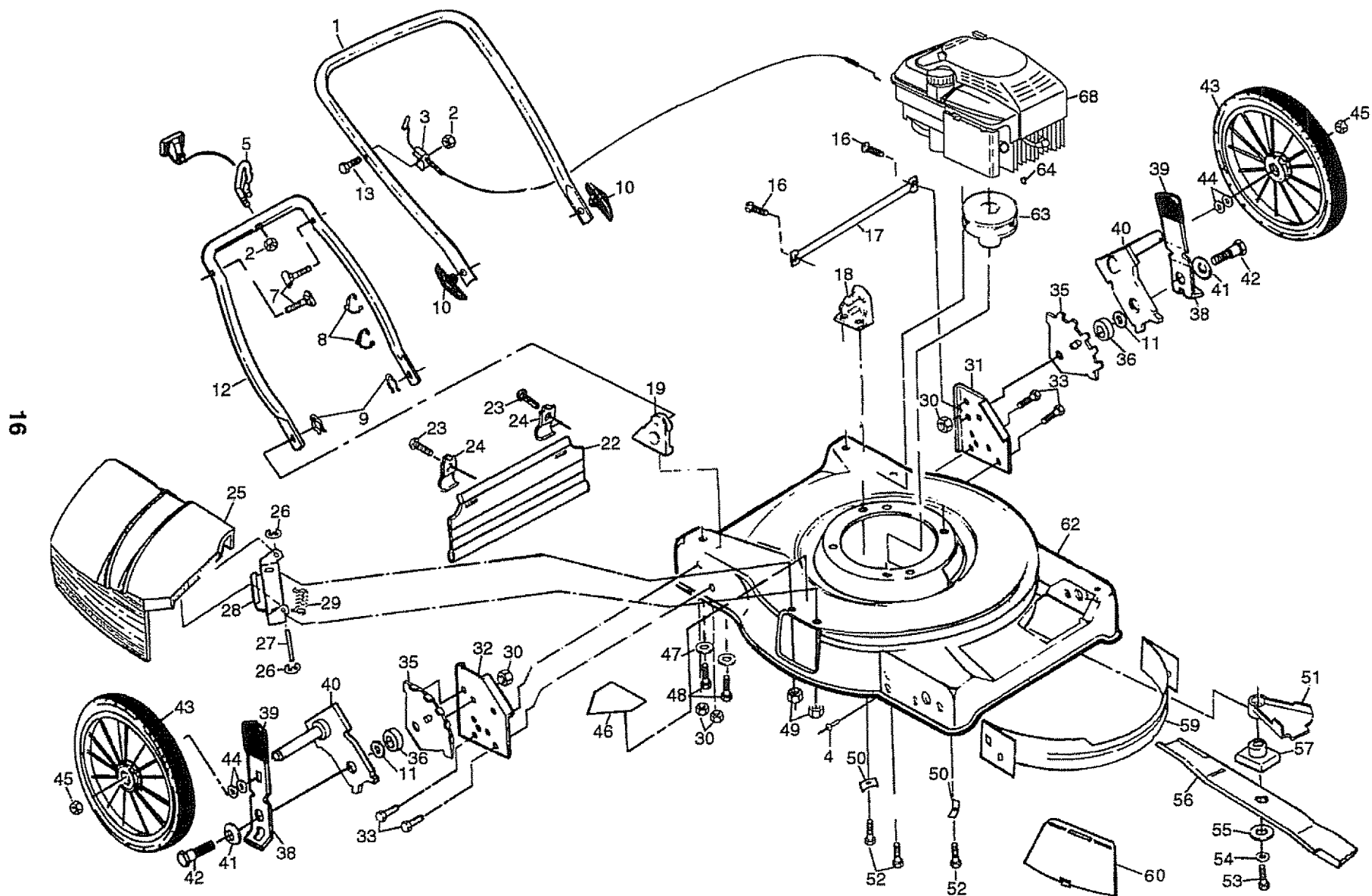
- Do not store gasoline from one season to another.
- Replace your gasoline can if your can starts to rust. Rust and/or dirt in your gasoline will cause problems.
- If possible, store your unit indoors and cover it to give protection from dust and dirt.
- Cover your unit with a suitable protective cover that does not retain moisture. Do not use plastic. Plastic cannot breathe which allows condensation to form and will cause your unit to rust.

**IMPORTANT:** NEVER COVER MOWER WHILE ENGINE AND EXHAUST AREAS ARE STILL WARM.



# REPAIR PARTS

## CRAFTSMAN 22" ROTARY LAWN MOWER - MODEL NO. 917.378571



16

# REPAIR PARTS

## CRAFTSMAN 22" ROTARY LAWN MOWER - MODEL NO. 917.378571

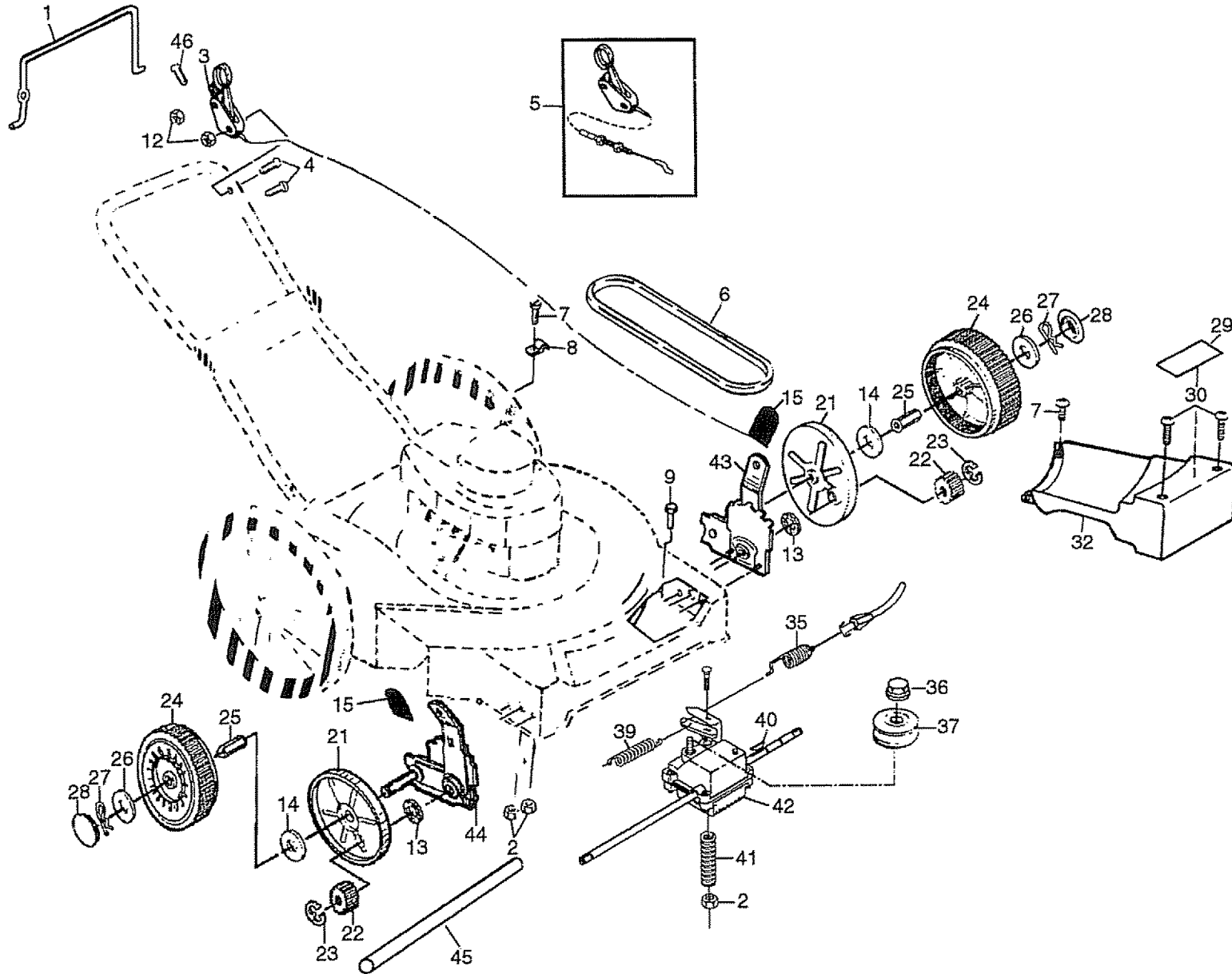
KEY NO.	PART NO.	DESCRIPTION	KEY NO.	PART NO.	DESCRIPTION
1	133088X479	Upper Handle	42	142748	Shoulder Bolt
2	STD541425	Locknut	43	88017	Wheel & Tire Assembly
3	130861	Zone Control Cable	44	57143	Wave Washer
4	128415	Pop Rivet	45	83923	Locknut 3/18-16
5	103672X	Rope Guide	46	107339X	Danger Decal
7	131959	Handle Bolt	47	59289	Flat Washer
8	85827	Cable Clip	48	55187	Thread Cutting Screw 5/16-18 x 3/4
9	51793	Hairpin Cotter	49	STD541425	Locknut
10	136376	Handle Knob	50	851201X004	Washer
11	88348	Flat Washer 3/8	51	134612	Debris Shield
12	84676X479	Lower Handle	52	850998	Hex Head Thread Rolling Screw 3/8-16 x 1-1/8
13	74350424	Hex Head Screw 1/4-20 x 1-1/2	53	851084	Hex Head Screw 3/8-24 x 1-3/8 (Grd. 8)
16	54583	Hex Tapping Screw 1/4-20 x 1/2	54	850263	Helical Lock Washer
17	750157	Support Rod	55	851074	Hardened Washer
18	701971X479	Handle Bracket Assembly (Left)	56	700973	Blade 22"
19	701969X479	Handle Bracket Assembly (Right)	57	851514	Blade Adapter
22	128797	Rear Deflector	59	700869X479	Front Baffle
23	750097	Hex Washer Head Screw #10-24 x 1/2	60	751772X479	Mulcher Plate
24	87584X004	Deflector Bracket	62	48324	Lawn Mower Housing (Incl. Ref. #46,59)
25	750149	Discharge Guard	63	84596	Engine Pulley
26	12000014	E-Ring	64	87677	Hi-Pro Key #HP 505
27	87590	Hinge Rod	68	145396	Engine - Briggs & Stratton - Model No. 128802, Type No. 1519-23
28	87593	Housing Bracket	--	134027X479	Rear Baffle (Not Shown)
29	87589	Torsion Spring		145946	Owner's Manual (English/Spanish)
30	751592	Locknut			
31	750388X479	Support Bracket (Left)			
32	750386X479	Support Bracket (Right)			
33	74760612	Hex Head Bolt 3/8-16 x 3/4			
35	750085X007	Wheel Adjusting Bracket			
36	84920	Spacer			
38	850855X004	Selector Spring			
39	87877	Selector Knob			
40	750913X004	Axle Arm Assembly			
41	61651	Rear Spring Washer H/W			

Available accessories not included with lawn mower:

<u>71</u>	33072	Grass Catcher
<u>71</u>	33623	Gas Can (2.5 gal.)
<u>71</u>	33500	Fuel Stabilizer
<u>71</u>	33300	SAE 30W Oil (20 oz.)
<u>71</u>	33316	Mower Cover

# REPAIR PARTS

## CRAFTSMAN 22" ROTARY LAWN MOWER - MODEL NO. 917.378571



# REPAIR PARTS

## CRAFTSMAN 22" ROTARY LAWN MOWER - MODEL NO. 917.378571

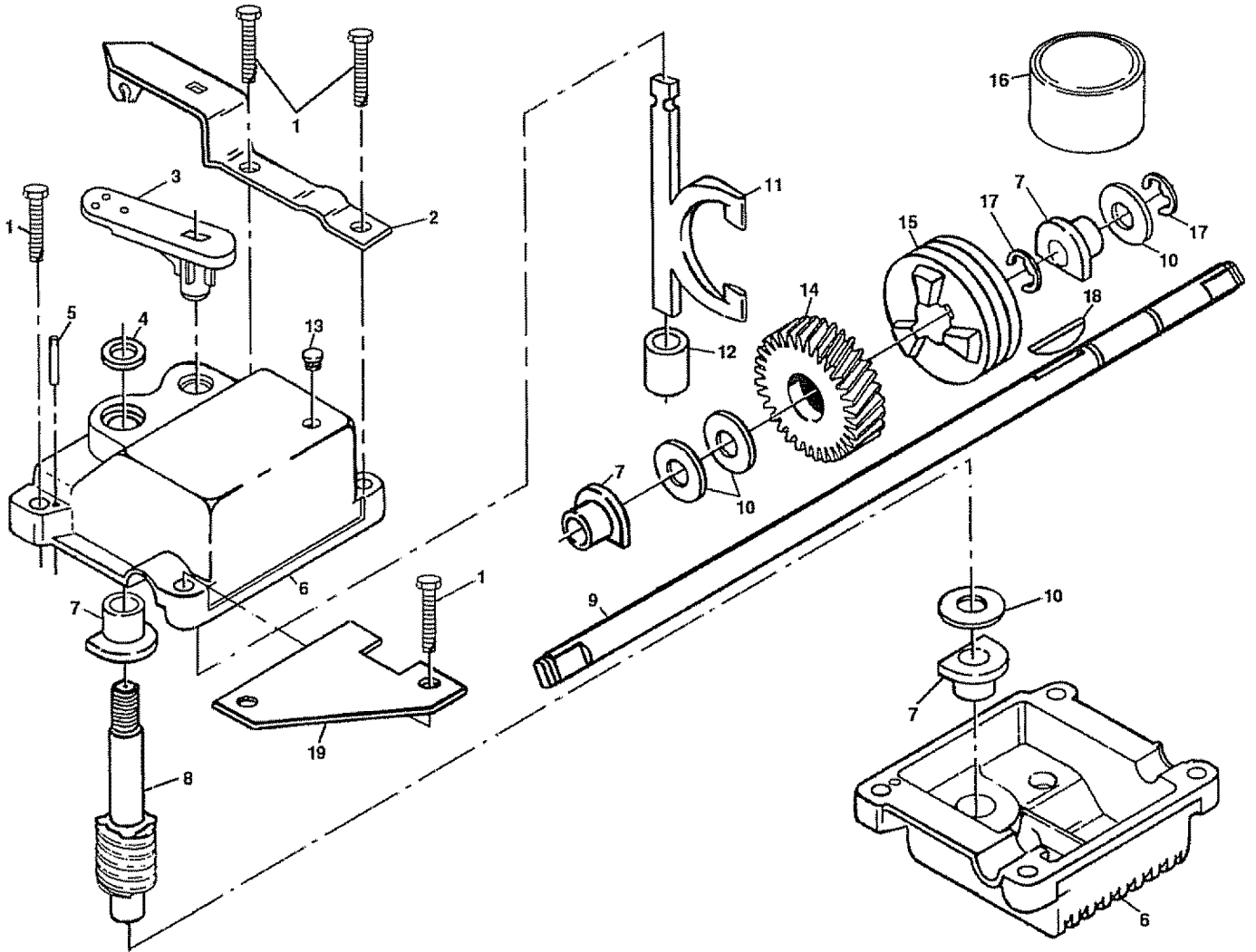
KEY NO.	PART NO.	DESCRIPTION	KEY NO.	PART NO.	DESCRIPTION
1	851509	Control Bar	27	85179	Retainer Clip
2	STD541425	Locknut 1/4-20	28	77400	Hubcap
3	48029	Control Head Kit	29	702182	Drive Cover Decal
4	750029	Screw #10-24 x 2	30	87866	Pan Head Tapping Screw #10-24 x 2-3/4
5	137076	Control Cable Assembly	32	137088	Drive Cover
6	137078	V-Belt	35	48323	Drive Control Cable Kit
7	750097	Hex Washer Head Screw #10-24 x 1/2	36	132010	Flanged Locknut 3/8-16
8	87930	Clip Guide (Housing)	37	137052	Drive Pulley
9	700875	Carriage Bolt 1/4-20 x 2	39	75192	Spring
12	69180	Locknut #10-24	40	850848	Hi-Pro Key
13	88118	Felt Washer	41	137090	Spring
14	67725	Washer 1/2 x 1-1/2 x .134	42	702511	Gear Case Assembly (Complete)
15	87877	Selector Knob	43	751809	Wheel Adjuster Assembly (Left)
21	88080	Dust Cover	44	751810	Wheel Adjuster Assembly (Right)
22	137054	Pinion	45	86012	Drive Shaft Cover
23	12000058	E-Ring	46	851552	Pan Head Hi Lo Screw #10-16 x .63
24	700953	Wheel & Tire Assembly			
25	86960	Wheel Bushing			
26	52160	Flat Washer			



# REPAIR PARTS

22" CRAFTSMAN ROTARY LAWN MOWER - - MODEL NO. 917.378571

GEAR CASE ASSEMBLY PART NUMBER 702511

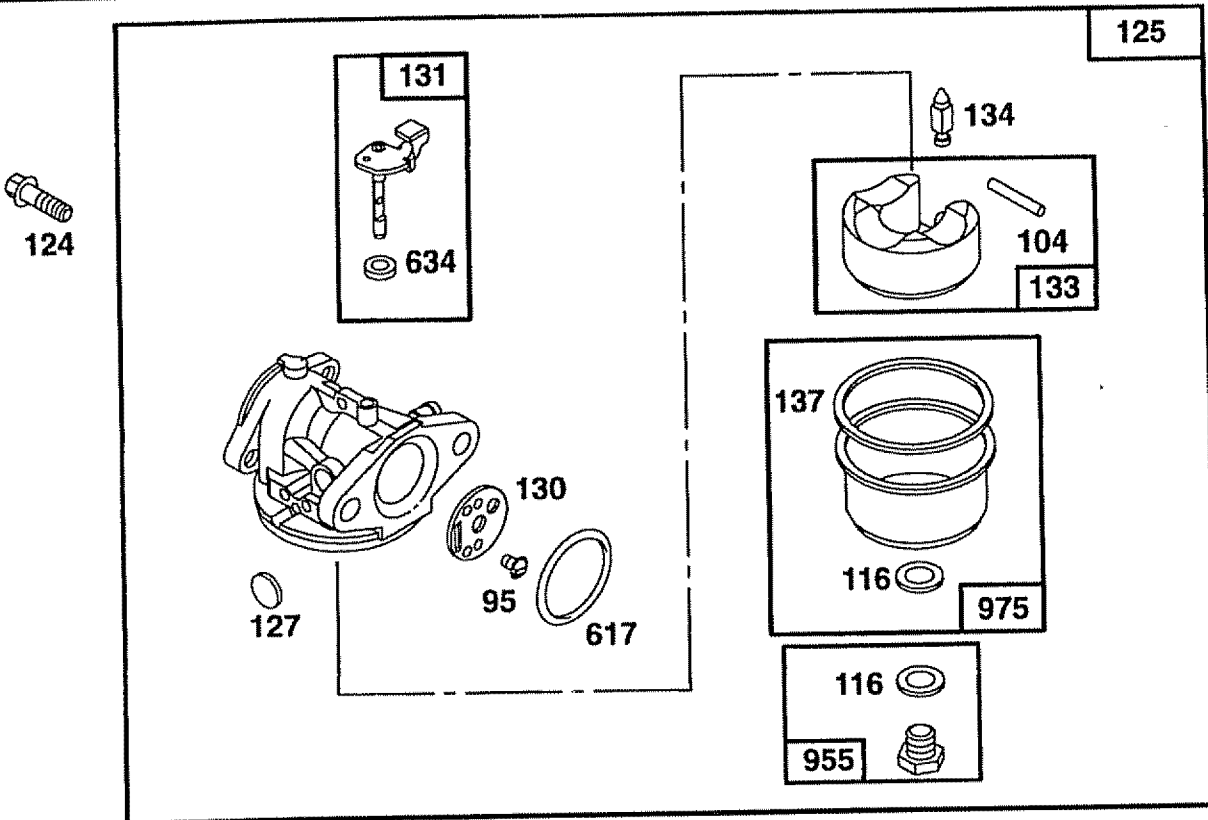
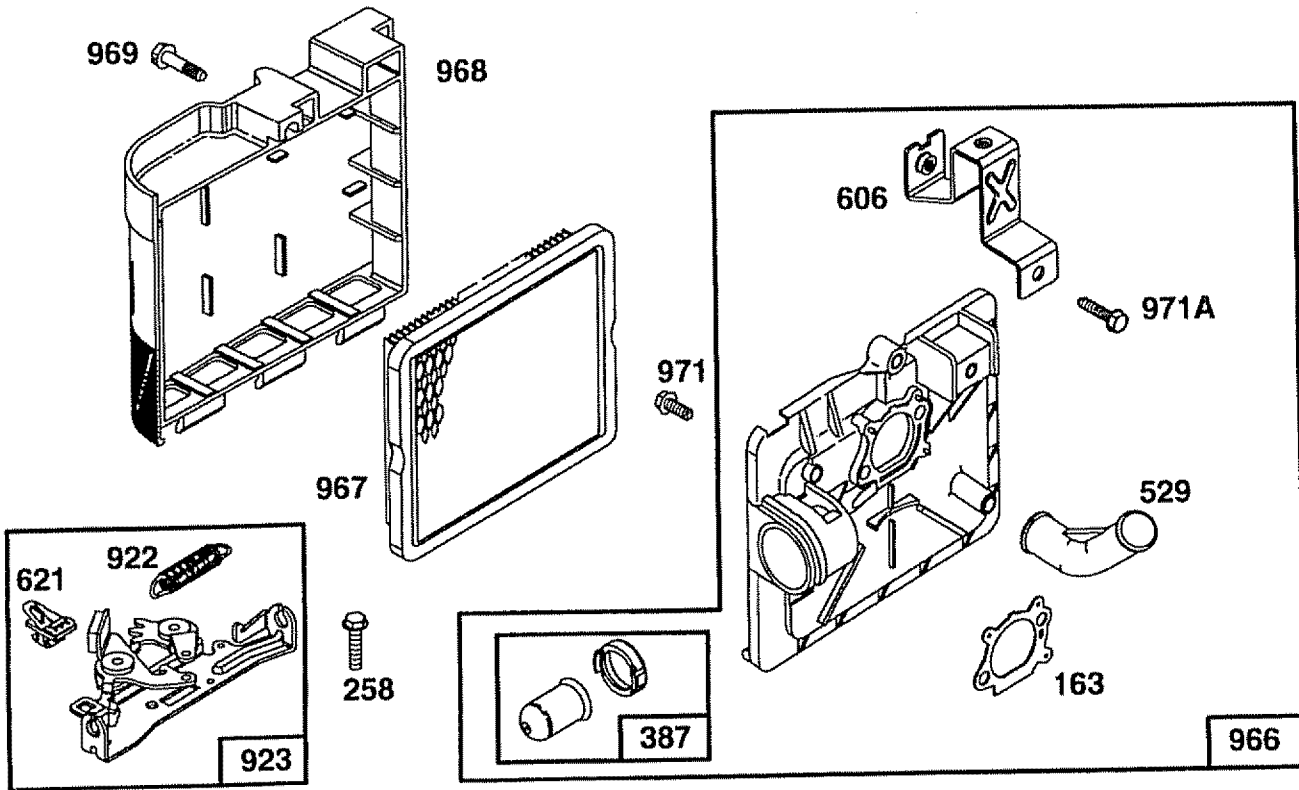


KEY NO.	PART NO.	DESCRIPTION
1	17490416	Tapping Screw 1/4-20 x 1-1/4
2	137055X004	Engagement Bracket
3	137053	Shifter
4	57072	Seal
5	702710	Grooved Pin 1/8 x 5/8
6	48373	Gear Case Halves Kit (Includes Key Nos. 4, 5, and 7)
7	77881	Bearing
8	137051	Worm Shaft
9	137074	Drive Shaft
10	57079	Hardened Washer
11	131484	Clutch Yoke
12	700343	Bushing

KEY NO.	PART NO.	DESCRIPTION
13	86447	Plug
14	137050	Helical Gear
15	750436X	Clutch Jaw
16	750369	Grease
17	12000003	E-Ring
18	850848	Hi-Pro Key
19	81585X004	Spring Bracket

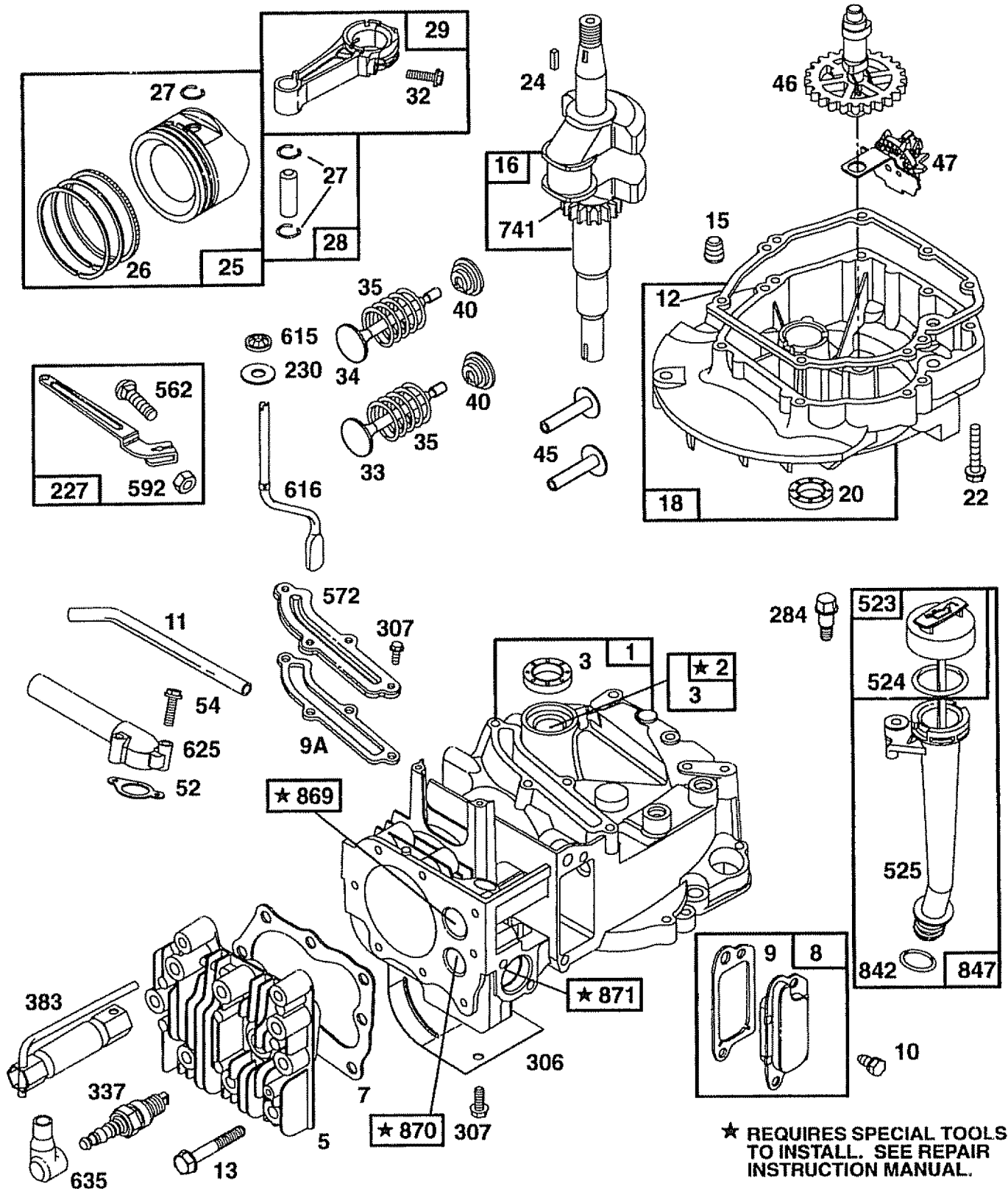
**NOTE:** To reseal housing halves use Loctite No. 515, Part No. 77923

**NOTE:** All component dimensions given in U.S. inches.  
1 inch = 25.4 mm



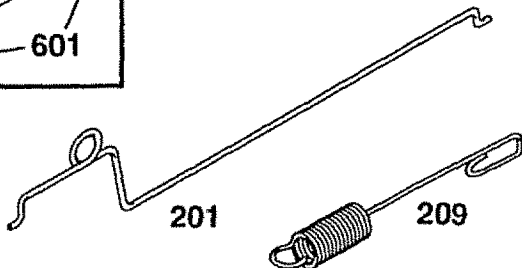
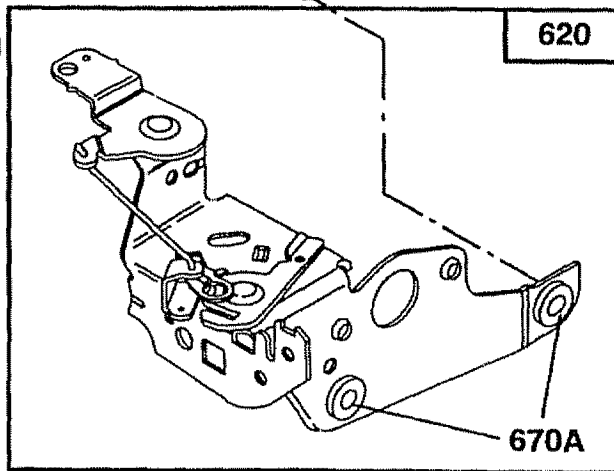
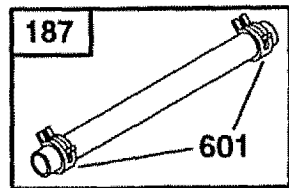
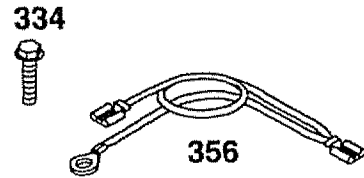
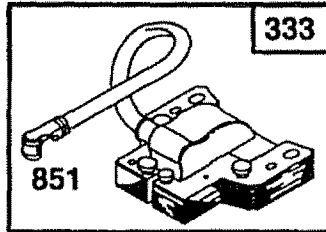
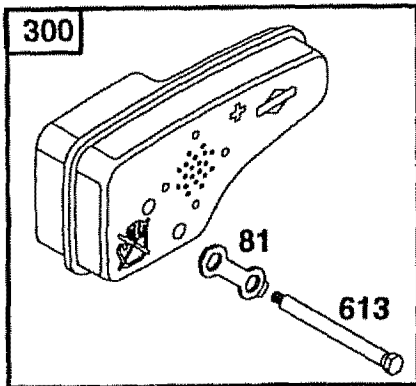
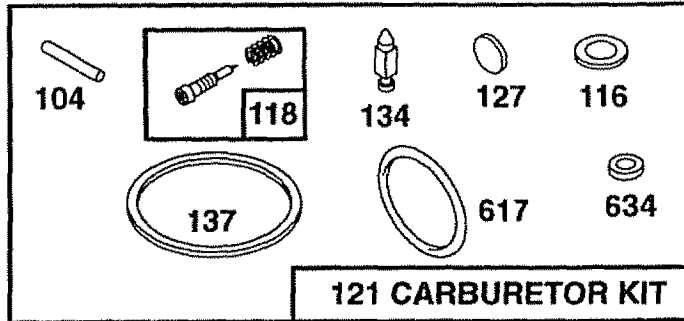
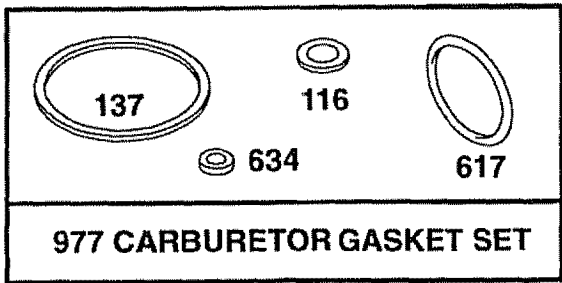
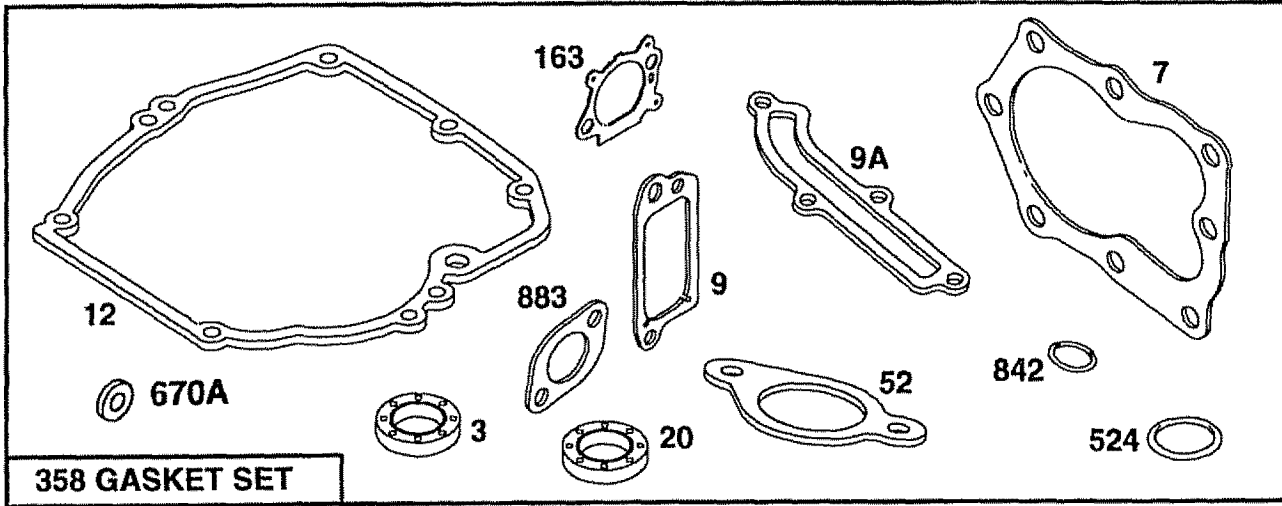
**BRIGGS & STRATTON  
4-CYCLE ENGINE**

**MODEL NO. 128802  
TYPE NO. 1519-23**



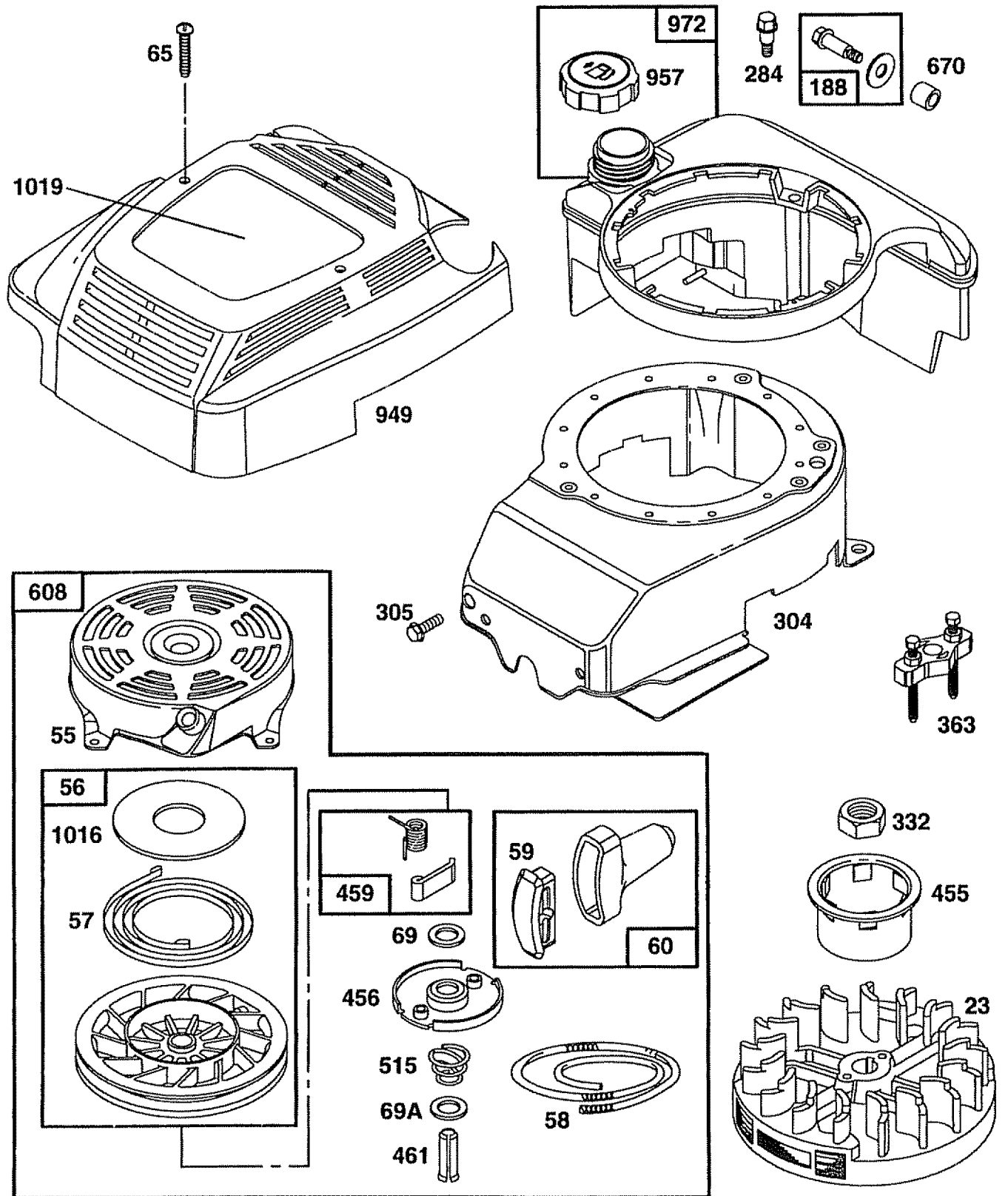
★ REQUIRES SPECIAL TOOLS TO INSTALL. SEE REPAIR INSTRUCTION MANUAL.





**BRIGGS & STRATTON  
4-CYCLE ENGINE**

**MODEL NO. 128802  
TYPE NO. 1519-23**



**BRIGGS & STRATTON  
4-CYCLE ENGINE**

**MODEL NO. 128802  
TYPE NO. 1519-23**

KEY PART NO. NO.	DESCRIPTION	KEY PART NO. NO.	DESCRIPTION
1 493260	Cylinder Assembly	47 493737	Slinger, Oil
2 293708	Bushing, Cylinder	52 272199	* Gasket, Intake Elbow
3 299819	* Seal, Oil	54 94526	Screw, Hex Head
5 214368	Head, Cylinder	55 492831	Housing, Rewind Starter
7 272916	* Gasket, Cylinder Head	56 493824	Pulley, Rewind Starter
8 495786	Breather Assembly	57 262594	Spring, Rewind Starter
9 272481	* Gasket, Valve Cover	58 280399	Rope, Rewind Starter (Cut To 88-5/8")
9A 272238	* Gasket, Baffle Plate	59 396892	Insert, Starter Grip
10 94650	Screw, Hex Head	60 393152	Grip, Starter Rope
11 231933	Tube, Breather	65 94696	Screw, Hex Head
12 272198	* Gasket, Crankcase	69 280973	Washer, Spring
13 94547	Screw, Cylinder Head	69A 224322	Washer, Flat
15 94720	Plug, Oil Drain	81 223664	Lock, Muffler Screw
16 493362	Crankshaft	95 94098	Screw, Round Head
94388	Timing Gear Key	104 231371	** Pin, Float Hinge
18 493279	Sump, Engine	116 - - -	*** Gasket, Sealing (Sold in Kit Only)
20 399781	* Seal, Oil	121 493762	Carburetor Kit
22 94220	Screw, Hex Head	124 94525	Screw, Carburetor Mounting
94612	Screw, Hex Head (Used in Hole Nearest Breather)	125 497347	Carburetor
23 492177	Flywheel	127 - - -	** Plug, Welch (Sold in Kit Only)
24 222698	Key, Flywheel	130 224908	Valve, Throttle
25 493262	Piston Assembly, Standard Size	131 493267	Shaft, Throttle
493385	Piston Assembly, .010" Oversize	133 398187	Float, Carburetor
493386	Piston Assembly, .020" Oversize	134 398188	Valve, Inlet (Includes Seat)
493387	Piston Assembly, .030" Oversize	137 - - -	*** Gasket, Bowl (Sold in Kit Only)
26 493261	Ring Set, Piston, Standard Size	163 272653	* Gasket, Air Cleaner
493388	Ring Set, Piston, .010" Oversize	187 492790	Hose, Fuel
493389	Ring Set, Piston, .020" Oversize	188 398540	Screw, Hex Head
493390	Ring Set, Piston, .030" Oversize	188A 94644	Screw, Hex Head
27 26026	Lock, Piston Pin	201 262579	Link, Governor
28 298909	Pin, Piston, Standard Size	209 263044	Spring, Governor
298908	Pin, Piston, .005" Oversize		
29 490566	Rod, Connecting		* Included in Gasket Set (497316)
490743	Rod, Connecting, .020" Undersize		** Included in Carburetor Kit (493762)
32 94699	Screw, Connecting Rod		*** Included in both Carburetor Kit (493762), and Carburetor Gasket Set (490937)
33 262651	Valve, Exhaust		
34 262652	Valve, Intake		
35 262224	Spring, Valve		
40 93312	Retainer, Valve Spring		
45 262204	Tappet, Valve		
46 492830	Gear, Cam		

**NOTE:** All component dimensions given in U.S. inches  
1 inch = 25.4 mm



**BRIGGS & STRATTON  
4-CYCLE ENGINE**

**MODEL NO. 128802  
TYPE NO. 1519-23**

KEY PART NO. NO.	DESCRIPTION	KEY PART NO. NO.	DESCRIPTION
227 492349	Lever, Governor	634 - - -	*** Washer, Shaft (Sold in Kit Only)
230 67072	Washer, Thrust	635 66538	Elbow, Spark Plug
258 94512	Screw, Hex Head	670 280512	Spacer, Fuel Tank
284 94511	Screw, Hex Head	670A 493823	* Spacer, Bracket
300 496106	Muffler, Exhaust	741 262598	Gear, Timing
304 493293	Housing, Blower	842 280966	* Seal, O-Ring
305 94786	Screw, Sems	843 272616	Sleeve, Lever
306 224324	Shield, Cylinder	847 495263	Tube Assembly, Oil
307 94515	Screw, Hex Head	851 493880	Terminal, Ignition Cable
332 92284	Nut, Flywheel	869 213512	Seat, Intake Valve
333 802574	Armature, Magneto	870 213513	Seat, Exhaust Valve
334 94731	Screw, Sems	871 262001	Guide, Exhaust Valve
337 802592	Plug, Spark	63709	Guide, Intake Valve
356 398808	Wire, Ground	883 272253	* Gasket, Muffler
358 497316	Gasket Set	922 262640	Spring, Brake
363 19069	Puller, Flywheel	923 493442	Brake Assembly
383 89838	Wrench, Spark Plug	949 496642	Guard, Finger
387 496115	Primer, Carburetor	955 494870	Screw, Fuel Bowl
455 224250	Cup, Starter	957 397974	Cap, Fuel Tank
456 224321	Retainer, Starter	966 496116	Base, Air Cleaner
459 492833	Pawl, Ratchet	967 491588	Filter, Air
461 262626	Pin, Shaft	968 281340	Cover, Air Cleaner
515 262625	Spring, Retainer	969 94120	Screw, Hex Head
523 495264	Cap, Oil Filler	971 94121	Screw, Hex Head
524 280393	* Seal, Filler Tube	971A 94749	Screw, Hex Head
525 495265	Tube, Oil Fill	972 495224	Tank, Fuel
529 281299	Grommet	975 493640	Bowl, Float
562 92613	Bolt, Governor Lever	977 490937	Gasket Set, Carburetor
572 224328	Baffle, Cylinder	1016 224278	Cover, Pulley
592 231082	Nut, Hex	1019 496658	Label Kit
601 93807	Clamp, Hose		
606 224815	Strap, Bracket		RPM Settings: Low: 1900-2100; High: 3000-3200
608 493295	Starter, Rewind		
Includes:	94128 Screw, Sems		* Included in Gasket Set (497316)
	92987 Nut, Hex		** Included in Carburetor Kit (493762)
613 94231	Screw, Hex Head		*** Included in both Carburetor Kit (493762), and Carburetor Gasket Set (490937)
615 94474	Fastener		
616 262578	Crank, Governor		
617 270344	*** Seal, Intake Elbow		
620 497203	Bracket, Carburetor		
621 396847	Switch, Stop		
625 281025	Tube, Fuel Intake		

**NOTE:** All component dimensions given in U.S. inches  
1 inch = 25.4 mm



# TROUBLESHOOTING POINTS

PROBLEM	CAUSE	CORRECTION
Does not start	<ol style="list-style-type: none"> <li>1. Dirty air filter.</li> <li>2. Out of fuel.</li> <li>3. Stale fuel.</li> <li>4. Water in fuel.</li> <li>5. Spark plug wire is disconnected.</li> <li>6. Bad spark plug.</li> <li>7. Loose blade or broken blade adapter.</li> <li>8. Control bar in released position</li> <li>9. Control bar defective</li> </ol>	<ol style="list-style-type: none"> <li>1. Clean/replace air filter.</li> <li>2. Fill fuel tank.</li> <li>3. Drain tank and refill with fresh clean fuel.</li> <li>4. Drain fuel tank and carburetor and refill tank with fresh gasoline.</li> <li>5. Connect wire to plug.</li> <li>6. Replace spark plug.</li> <li>7. Tighten blade bolt or replace blade adapter</li> <li>8. Depress control bar to handle.</li> <li>9. Replace control bar.</li> </ol>
Loss of power	<ol style="list-style-type: none"> <li>1. Rear of lawn mower housing/blade dragging in heavy grass.</li> <li>2. Cutting too much grass</li> <li>3. Dirty air filter.</li> <li>4. Buildup of grass, leaves and trash under mower.</li> <li>5. Too much oil in engine.</li> <li>6. Walking speed too fast.</li> </ol>	<ol style="list-style-type: none"> <li>1. Set in "Higher Cut" position.</li> <li>2. Set in "Higher Cut" position.</li> <li>3. Clean/replace air filter.</li> <li>4. Clean underside of mower housing.</li> <li>5. Check oil level.</li> <li>6. Cut at slower walking speed.</li> </ol>
Poor cut - uneven	<ol style="list-style-type: none"> <li>1. Worn, bent or loose blade.</li> <li>2. Wheel heights uneven</li> <li>3. Low engine speed.</li> <li>4. Buildup of grass, leaves, and trash under mower.</li> </ol>	<ol style="list-style-type: none"> <li>1. Replace blade. Tighten blade bolt.</li> <li>2. Set all wheels at same height.</li> <li>3. Set engine speed control in fast position.</li> <li>4. Clean underside of mower housing</li> </ol>
Excessive vibration	<ol style="list-style-type: none"> <li>1. Worn, bent or loose blade</li> <li>2. Bent engine crankshaft.</li> </ol>	<ol style="list-style-type: none"> <li>1. Replace blade. Tighten blade bolt.</li> <li>2. Contact an authorized service center/department.</li> </ol>
Starter rope hard to pull	<ol style="list-style-type: none"> <li>1. Engine flywheel brake is on when control bar is released.</li> <li>2. Bent engine crankshaft</li> <li>3. Blade adapter broken.</li> <li>4. Blade dragging in grass.</li> </ol>	<ol style="list-style-type: none"> <li>1. Depress control bar to upper handle before pulling starter rope.</li> <li>2. Contact an authorized service center/department.</li> <li>3. Replace blade adapter.</li> <li>4. Move lawn mower to cut grass or to hard surface to start engine.</li> </ol>
Loss of drive (Self-Propelled Mowing)	<ol style="list-style-type: none"> <li>1. Drive wheels not turning with drive control engaged.</li> <li>2. Belt not driving.</li> </ol>	<ol style="list-style-type: none"> <li>1. Adjust or replace drive control cable, if broken.</li> <li>2. Put belt on pulleys or replace belts if broken.</li> </ol>
Grass catcher not filling (if so equipped)	<ol style="list-style-type: none"> <li>1. Cutting height too low.</li> <li>2. Lift on blade worn off.</li> <li>3. Catcher not venting air.</li> <li>4. Low engine speed.</li> </ol>	<ol style="list-style-type: none"> <li>1. Raise cutting height.</li> <li>2. Replace blade.</li> <li>3. Clean grass catcher.</li> <li>4. Set engine speed control in fast position.</li> </ol>
Hard to push	<ol style="list-style-type: none"> <li>1. Grass is too high or wheel height is too low.</li> <li>2. Rear of lawn mower housing/blade dragging in grass.</li> <li>3. Grass catcher too full.</li> <li>4. Handle height position not right for you.</li> </ol>	<ol style="list-style-type: none"> <li>1. Raise cutting height.</li> <li>2. Raise rear of lawn mower housing one (1) setting higher.</li> <li>3. Empty grass catcher.</li> <li>4. Adjust handle height to suit</li> </ol>

**SEARS**  
**OWNER'S**  
**MANUAL**

**MODEL NO.**  
**917.378571**

**IF YOU NEED**  
**REPAIR SERVICE**  
**OR PARTS:**

FOR REPAIR SERVICE, CALL  
THIS TOLL FREE NUMBER:

**1-800-4-REPAIR**  
(1-800-473-7247)

FOR REPLACEMENT PARTS  
INFORMATION AND  
ORDERING, CALL THIS  
TOLL FREE NUMBER:

**1-800-FON-PART**  
(1-800-366-7278)

**CRAFTSMAN®**

**5.5 HORSEPOWER**  
**22" SIDE DISCHARGE**  
**3 IN ONE CONVERTIBLE**  
**POWER PROPELLED**  
**ROTARY LAWN MOWER**

Each lawn mower has its own model number. Each engine has its own model number.

The model number for your lawn mower will be found on a decal attached to the rear of the lawn mower housing.

The model number for your engine will be found on the blower housing of the engine.

All parts listed herein may be ordered from any Sears, Roebuck and Co. Service Center/Department and most Retail Stores.

**WHEN ORDERING REPAIR PARTS, ALWAYS GIVE THE**  
**FOLLOWING INFORMATION:**

- **PRODUCT - LAWN MOWER**
- **MODEL NUMBER - 917.378571**
- **ENGINE MODEL NO. - 128802, TYPE NO. 1519-23**
- **PART NUMBER**
- **PART DESCRIPTION**

Your Sears merchandise has added value when you consider Sears has service units nationwide staffed with Sears trained technicians... professional technicians specifically trained to insure that we meet our pledge to you, we service what we sell.

**SEARS**

# CRAFTSMAN®

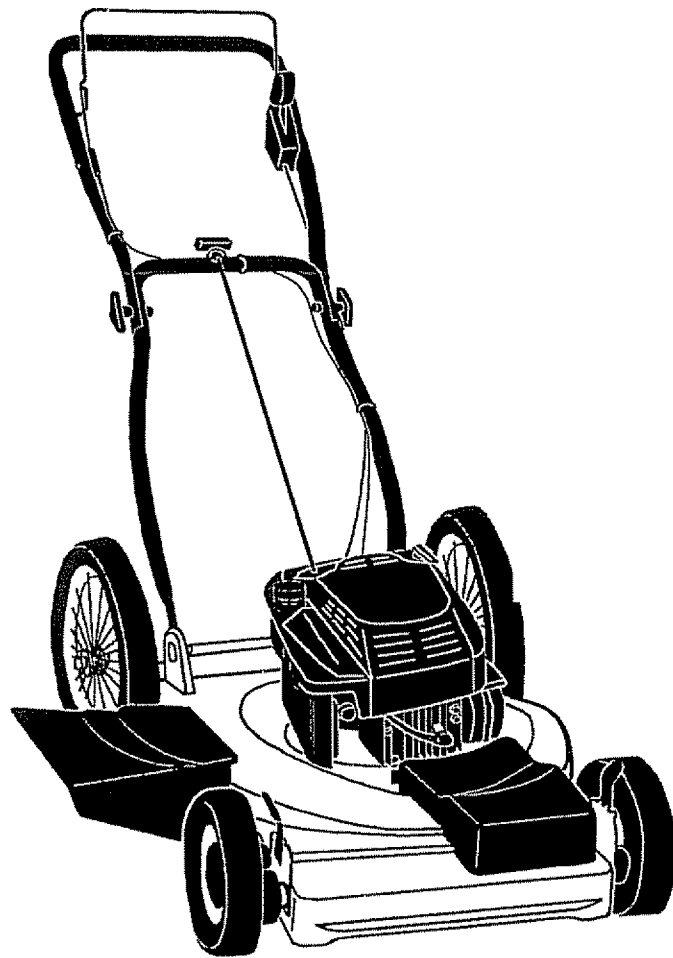
MODELO NO. 917.378571

MANUAL DEL DUEÑO

**3one™**  
Convertible

- Montaje
- Operación
- Responsabilidades del Cliente
- Servicio
- Ajustes
- Partes de Repuesto

**Precaución:**  
Lea y siga todas las reglas e instrucciones de seguridad antes de operar este equipo.



145946 08.11.94

IMPRESO EN LOS ESTADOS UNIDOS

Sears, Roebuck and Co., Hoffman Estates, IL 60179 U.S.A.



# REGLAS DE SEGURIDAD

**PRECAUCIÓN: SIEMPRE DESCONECTE EL ALAMBRE DE LA BUJÍA Y PONGALO DONDE NO PUEDA ENTRAR EN CONTACTO CON LA BUJÍA PARA EVITAR EL ARRANQUE POR ACCIDENTE DURANTE LA PREPARACIÓN, EL TRANSPORTE, EL AJUSTE O CUANDO SE HACEN REPARACIONES.**



## IMPORTANTE

LOS ESTANDARES DE SEGURIDAD EXIGEN LA PRESENCIA DEL OPERADOR EN LOS CONTROLES PARA REDUCIR A UN MINIMO EL RIESGO DE LESIONARSE. SU UNIDAD VIENE EQUIPADA CON DICHS CONTROLES. POR NINGUN MOTIVO TRATE DE ELIMINAR LA FUNCIÓN DE LOS CONTROLES QUE EXIGEN LA PRESENCIA DEL OPERADOR.

### ENTRENAMIENTO:

- Lea este manual del operador cuidadosamente. Familiarícese con los controles y aprenda a operar su segadora en forma adecuada. Aprenda a parar su segadora rápidamente.
- No permita que los niños usen su segadora. Nunca permita que los adultos operen la segadora sin contar con las instrucciones adecuadas.
- Mantenga el área de operación despejada de gente, especialmente de niños pequeños y de animales domésticos.
- Use la segadora solamente para los fines propuestos por el fabricante y según las explicaciones descritas en este manual.
- No opere la segadora si se ha caído o dañado en cualquiera forma. Siempre repare los daños antes de usarla.
- No use accesorios que no hayan sido recomendados por el fabricante. El uso de dichos accesorios puede ser peligroso.
- La cuchilla gira cuando el motor está funcionando.

### PREPARACIÓN:

- Siempre revise cuidadosamente el área que se va a segar y despéjela de todas las piedras, palos, alambres, huesos y otros objetos extraños. Estos objetos serán lanzados con la cuchilla y pueden producir lesiones graves.
- Siempre use anteojos de seguridad o protectores de ojos cuando arranque y durante el tiempo que use la segadora.
- Vístase en forma adecuada. No opere la segadora sin zapatos o con sandalias abiertas. Use solamente zapatos sólidos con buena tracción cuando siegue.
- Revise el estanque de combustible antes de hacer arrancar el motor. No llene el estanque de gasolina en recintos cerrados, ni cuando el motor está funcionando o cuando está caliente. Permita que el motor se enfríe por varios minutos antes de llenar el estanque de gasolina. Limpia toda la gasolina derramada antes de hacer arrancar el motor.
- Siempre haga los ajustes de altura de las ruedas antes de hacer arrancar su segadora. Nunca trate de hacer ésto mientras que el motor está funcionando.
- Siegue siempre durante el día o con buena luz artificial.

### OPERACIÓN:

- Mantenga sus ojos y su mente en la segadora y en el área que se está cortando. No permita que otros intereses lo distraigan.
- No corte césped mojado o resbaloso. Nunca corra mientras esté operando su segadora. Siempre asegúrese de mantener el equilibrio – mantenga el mango agarrado firmemente y camine.
- No ponga las manos o los pies cerca o debajo de las partes rotatorias. Manténgase alejado de la abertura de descarga en todo momento.
- Siempre pare el motor cuando se vaya o cuando no esté usando su segadora, o antes de atravesar las entradas para autos, los senderos, caminos y áreas cubiertas de ripo.

- Nunca dirija la descarga del material hacia los espectadores ni permita a nadie cerca de la segadora mientras la esté operando.
- Antes de limpiar, inspeccionar o de reparar la segadora, pare el motor y esté completamente seguro de que la cuchilla y que todas las partes que se mueven se hayan detenido. Luego, desconecte el alambre de la bujía y manténgalo alejado de ésta para evitar el arranque por accidente.
- No continúe haciendo funcionar su segadora si le pega a un objeto extraño. Siga el procedimiento descrito anteriormente, luego repare cualquier daño antes de volver a arrancar y de operar su segadora.
- No cambie los ajustes del regulador o haga que el motor ande a una velocidad excesiva. Se pueden producir daños en el motor y lesiones personales.
- No opere su segadora si vibra fuera de lo normal. La vibración excesiva es una indicación de daño; pare el motor, revise en forma segura la causa de la vibración y haga las reparaciones según sea necesario.
- No haga funcionar el motor en recintos cerrados. Los gases de escape son peligrosos.
- Nunca corte el césped tirando la segadora hacia usted. Siegue a través de la cara de las pendientes, nunca hacia arriba o hacia abajo pues puede perder el equilibrio. No siegue pendientes demasiado empinadas. Tenga cuidado cuando opere la segadora en terreno disparejo o cuando cambie de dirección – mantenga un buen equilibrio.
- Nunca opere la segadora sin las protecciones adecuadas, las planchas, el recogedor de césped y otros dispositivos de seguridad en su lugar.

### MANTENIMIENTO Y ALMACENAMIENTO:

- Revise la cuchilla y los pernos de montaje del motor a menudo, para asegurarse que están apretados en la forma adecuada.
- Revise todos los pernos, tuercas y tornillos a intervalos frecuentes, para verificar si están apretados en forma adecuada, y asegurarse que la segadora se encuentra en condiciones de funcionamiento seguras.
- Mantenga todos los dispositivos de seguridad en su lugar y listos para funcionar.
- Para reducir el peligro de incendio, mantenga el motor sin césped, hojas y grasa o aceite en exceso.
- Revise el recogedor de césped a menudo para verificar si hay deterioro y desgaste y cambie las bolsas desgastadas. Use solamente las bolsas de repuesto recomendadas por el fabricante de su segadora o que cumplen con las especificaciones de éste.
- Siempre mantenga una cuchilla afilada en su segadora.
- Siempre permita que el motor se enfríe antes de guardarla en cualquier recinto cerrado.
- Nunca guarde la segadora con combustible en el estanque dentro de un edificio en donde los gases pueden alcanzar una llama expuesta o una fuente de ignición, tal como el calentador de agua, la estufa de calefacción, la secadora de ropa, etc.



**BUSQUE ESTE SIMBOLO QUE SEÑALA LAS PRECAUCIONES DE SEGURIDAD DE IMPORTANCIA. QUIERE DECIR – ¡¡¡ATENCIÓN!!! ¡¡¡ESTE ALERTO!!! SU SEGURIDAD ESTA COMPROMETIDA.**

**FELICITACIONES** por la compra de su segadora Sears Craftsman. Ha sido diseñada, planificada y fabricada para darle la mejor confiabilidad y el mejor rendimiento posibles.

En el caso de que se encuentre con cualquier problema que no pueda solucionar fácilmente, haga el favor de ponerse en contacto con su Centro/Departamento de Servicio Sears más cercano. Sears cuenta con técnicos bien capacitados y competentes y con las herramientas adecuadas para darle servicio o para reparar su unidad.

Haga el favor de leer y de guardar este manual. Estas instrucciones le permitirán montar y mantener su segadora en forma adecuada. Siempre observe las "REGLAS DE SEGURIDAD."

NÚMERO DE MODELO	917.378571
NÚMERO DE SERIE	_____
FECHA DE COMPRA	_____
EL NÚMERO DEL MODELO Y EL DE SERIE SE ENCUENTRAN EN LA CALCOMANIA ADJUNTA A LA PARTE TRASERA DE LA CAJA DE LA SEGADORA.	
DEBE REGISTRAR TANTO EL NÚMERO DE SERIE COMO LA FECHA DE COMPRA Y MANTÉNGALOS EN UN LUGAR SEGURO PARA REFERENCIA EN EL FUTURO.	

## ESPECIFICACIONES DEL PRODUCTO

CABALLOS DE FUERZA:	5.5
DESPLAZAMIENTO:	11.57cu. in.
CAPACIDAD Y TIPO DE GASOLINA:	1.6 Cuartos REGULAR SIN PLOMO
TIPO DE ACEITE: (API-SF/SG)	SAE 30 (sobre 32°F) SAE 5W-30 (debajo 32°F)
CAPACIDAD DE ACEITE:	20 oz. de capacidad
BUJÍA: (ABERTURA: .030")	CHAMPION RJ19LM O STD361458
TOLERANCIA DE VALVULA:	ADMISIÓN: .005" - .007" DESCARGA: .007" - .009"
ENCENDIDO DE ESTADO SOLIDO ABERTURA DE AIRE:	.010 in.
TORSIÓN DEL PERNO DE LA CUCHILLA:	35-40 FT. LBS. (PIES LIBRA)

### ACUERDO DE MANTENIMIENTO

Este producto incluye un Acuerdo de Mantenimiento Sears. Póngase en contacto con su tienda Sears más cercana para informarse sobre los detalles.

### RESPONSABILIDADES DEL CLIENTE

- Lea y observe las reglas de seguridad.
- Siga un programa regular de mantenimiento, cuidado y uso de su segadora.
- Siga las instrucciones descritas en las secciones "Responsabilidades del Cliente" y "Almacenamiento" de este Manual del Dueño.

## GARANTÍA LIMITADA DE DOS AÑOS PARA LA SEGADORA A MOTOR CRAFTSMAN

Por dos (2) años, a partir de la fecha de compra, cuando esta Segadora Craftsman se mantenga, lubrique y afine según las instrucciones para la operación y el mantenimiento en el manual del dueño, Sears reparará gratis todo defecto en el material y la mano de obra.

Si la Segadora Craftsman se usa para fines comerciales o de arriendo, esta garantía sólo se aplica por noventa (90) días a partir de la fecha de compra.

Esta Garantía no cubre:

- Artículos que se desgastan durante el uso normal tales como las cuchillas segadoras rotatorias, los adaptadores de la cuchilla, las correas, los filtros de aire y las bujías.
- Reparaciones necesarias debido al abuso o a la negligencia del operador, incluyéndose a los cigüeñales doblados y a la falta de mantenimiento del equipo según las instrucciones que se incluyen en el manual del dueño.

EL SERVICIO DE GARANTÍA ESTA DISPONIBLE AL DEVOLVER LA SEGADORA A MOTOR CRAFTSMAN AL CENTRO/DEPARTAMENTO DE SERVICIO SEARS MÁS CERCANO EN LOS ESTADOS UNIDOS. ESTA GARANTÍA SE APLICA SOLAMENTE MIENTRAS EL PRODUCTO ESTE EN USO EN LOS ESTADOS UNIDOS.

Esta Garantía le otorga derechos legales específicos, y puede que también tenga otros derechos que varían de estado a estado.

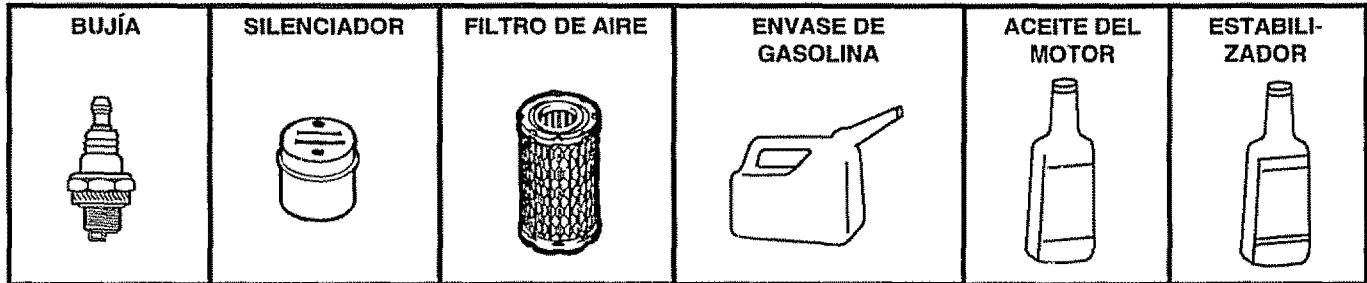
SEARS, ROEBUCK AND CO., D/817 WA, HOFFMAN ESTATES, ILLINOIS 60179



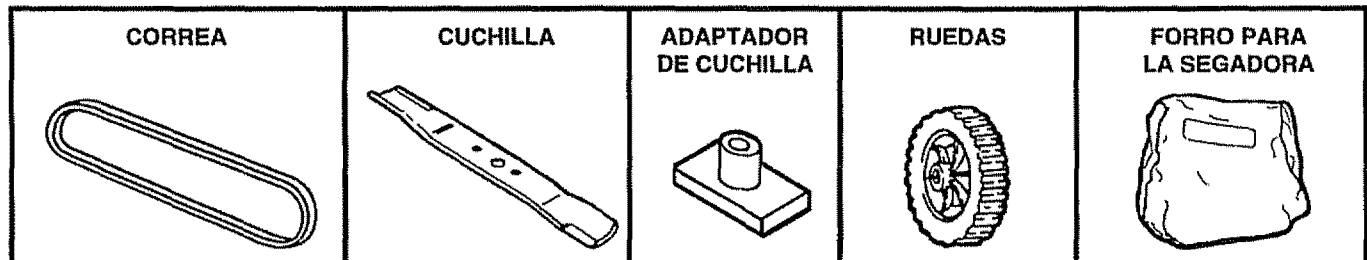
# ACCESORIOS PARA LA SEGADORA

Estos accesorios estaban disponibles cuando se produjo la segadora. También están disponibles en la mayoría de las tiendas de Sears y en los centros de servicio. La mayoría de las tiendas Sears también pueden mandar a pedir partes de repuesto para usted, si les proporciona el número del modelo de su segadora. Algunos de estos accesorios tal vez no se apliquen a su segadora.

## MOTOR



## MANTENIMIENTO DE LA SEGADORA



# MONTAJE

Lea estas instrucciones y este manual completamente antes de tratar de montar u operar su segadora nueva. Su segadora nueva ha sido montada en la fábrica con la excepción de aquellas partes que se dejaron sin montar por razones de envío. Todas las partes como las tuercas, las arandelas, los pernos, etc., que son necesarias para completar el montaje han sido colocadas en la bolsa de partes. Para asegurarse que su segadora funcione en forma segura y adecuada, todas las partes y los artículos de ferretería que se montan tienen que ser apretados seguramente. Use las herramientas correctas, como sea necesario, para asegurar que se aprieten adecuadamente.

## PARA REMOVER LA SEGADORA DE LA CAJA DE CARTÓN

- Remueva las partes sueltas que se incluyen con la segadora.
- Corte las dos esquinas de los extremos de la caja de cartón y tienda el panel del extremo plano.
- Remueva todo el material de empaque, excepto la cuña entre el mango superior y el inferior, y la cuña que sujeta la barra de los control que exige la presencia del operador junto con el mango superior.
- Haga rodar la segadora hacia afuera de la caja de cartón y revísela cuidadosamente para verificar si todavía quedan partes sueltas adicionales.

## COMO PREPARAR SU SEGADORA

### PARA DESDOBLAR EL MANGO (Vea la Fig. 1)

**IMPORTANTE:** DESPLIEGUE EL MANGO CON MUCHO CUIDADO PARA NO PELLIZCAR O DAÑAR LOS CABLES DE CONTROL.

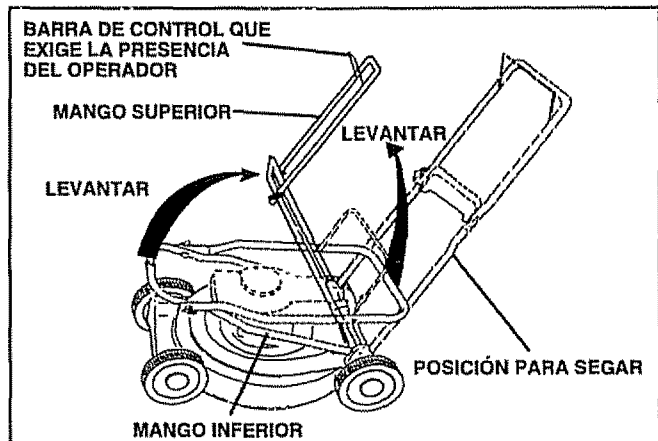


FIG. 1

- Levante los mangos hasta que la sección del mango inferior se asegure en su lugar, en la posición para segar.
- Levante la sección del mango superior hasta su lugar en el mango inferior, remueva la cuña protectora y apriete ambas manillas del mango.
- Remueva la cuña del mango que sujeta la barra de los control que exige la presencia del operador junto con el mango superior.
- El mango de la segadora puede ajustarse según le acomode para segar. Refiérase a "AJUSTE DEL MANGO" en la sección de Servicio y Ajustes de este manual.

# OPERACIÓN

## FAMILIARICESE CON SU SEGADORA

LEA ESTE MANUAL DEL DUEÑO Y LAS REGLAS DE SEGURIDAD ANTES DE OPARAR SU SEGADORA. Compare las ilustraciones con su segadora para familiarizarse con la ubicación de los diversos controles y ajustes. Guarde este manual para referencia en el futuro.

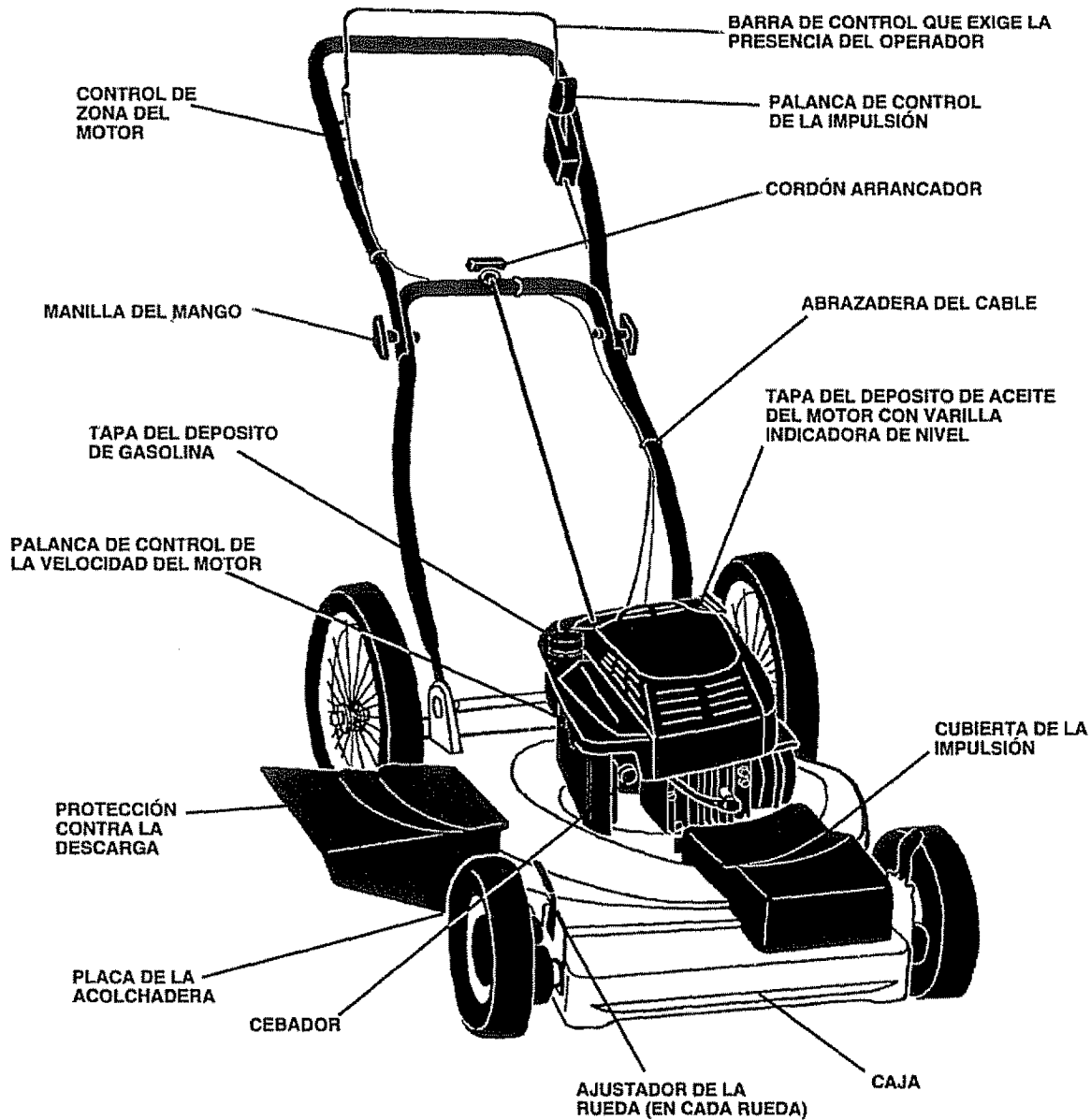


FIG. 2

## CUMPLE CON LOS REQUISITOS DE SEGURIDAD DE LA CPSC

Las segadoras a motor, que se conducen desde la parte de atrás, rotatorias, Sears, cumplen con los estándares de seguridad del American National Standards Institute y de la U.S. Consumer Product Safety Commission. La cuchilla gira cuando el motor está funcionando.

**BARRA DE CONTROL QUE EXIGE LA PRESENCIA DEL OPERADOR** - tiene que sujetarse abajo, junto con el mango, para hacer arrancar el motor. Suéltela para parar el motor.

**PALANCA DE CONTROL DE LA VELOCIDAD DEL MOTOR** - tiene que estar en la posición rápida (↻) para arrancar y segar.

**PLACA DE LA ACOLCHADERA** - situada en la abertura de la descarga y debe ser quitada cuando se convierte la operación de ensacado a descarga.

**CEBADOR** - bombea combustible adicional desde el carburador al cilindro para uso cuando se necesita hacer arrancar un motor frío.

**CORDÓN ARRANCADOR** - se usa para hacer arrancar el motor.

**PALANCA DE CONTROL DE LA IMPULSIÓN** - se usa para enganchar la segadora para movimiento hacia adelante impulsada a motor.

# OPERACIÓN

## COMO USAR SU SEGADORA

### CONTROL DE LA VELOCIDAD DEL MOTOR

(Vea la Fig. 3)

La velocidad del motor se controla por medio de una palanca ubicada en el lado del motor. La posición de rápido (☛) se usa para arrancar el motor, para el corte normal y un mejor ensacamiento del césped. La posición lento (☜) es para corte liviano, recorte y para economizar combustible.

### CONTROL DE ZONA DEL MOTOR



**PRECAUCIÓN:** Las regulaciones federales exigen que se instale un control para el motor en esta segadora para reducir a un mínimo el riesgo de lesionarse debido al contacto con la cuchilla. Por ningún motivo trate de eliminar la función del control del operador. La cuchilla gira cuando el motor está funcionando.

- Su segadora viene equipada con una barra de control que exige la presencia del operador, lo que requiere que el operador esté detrás del mango de la segadora para hacerla arrancar y operarla.

### CONTROL DE LA IMPULSIÓN (Vea la Fig. 4)

- La autoimpulsión se controla al sujetar la barra de control que exige la presencia del operador hacia abajo en el mango y al empujar la palanca de control de la impulsión hacia adelante hasta que suene "clic", luego se suelta la palanca.
- El movimiento hacia adelante parará cuando la barra de control que exige la presencia del operador se suelta. Para parar el movimiento hacia adelante sin parar el motor, suelte la barra de control que exige la presencia del operador un poco hasta que se desenganche el control de la impulsión. Sujete la barra de control que exige la presencia del operador abajo en contra del mango para continuar segando sin autoimpulsión.
- Para mantener el control de la impulsión enganchado cuando se de vuelta en las esquinas, empuje el mango hacia abajo y levante las ruedas delanteras fuera del suelo al girar la segadora.

**AVISO:** Cuando su segadora está nueva, las ruedas de impulsión pueden rotar sin que el control de la impulsión esté enganchado cuando las ruedas se levantan del suelo. Esto es normal y debe parar después de unas pocas horas después del comienzo de la operación.

### PARA AJUSTAR LA ALTURA DE CORTE

(Vea la Fig. 5)

- Levante las ruedas para el corte bajo y baje las ruedas para el corte alto.
- Ajuste la altura de corte para que se acomode a sus requisitos. La posición del medio es la mejor para la mayoría de los céspedes.
- Para cambiar la altura de corte, empuje la palanca del ajustador hacia la rueda. Mueva la rueda hacia arriba o hacia abajo de modo que se acomode a sus requisitos. Asegúrese que todas las ruedas queden igualmente ajustadas.

### PARA CONVERTIR A SEGADORA DESCARGABLE (Vea la Fig. 6)

Su segadora es enviada para usarse como acolchadora. Para convertirla a una operación de ensacado o de descarga:

- Levante la protección contra la descarga y remueva la plancha acolchadora.
- Ahora la segadora se puede usar con descarga lateral o se le puede adjuntar el recogedor de césped opcional.
- Para volver a la operación de acolchamiento, simplemente vuelva a instalar la plancha acolchadora según se muestra.



**PRECAUCIÓN:** No haga funcionar la segadora sin la protección contra la descarga, el recogedor de césped o la plancha acolchadora, aprobados, en su lugar.

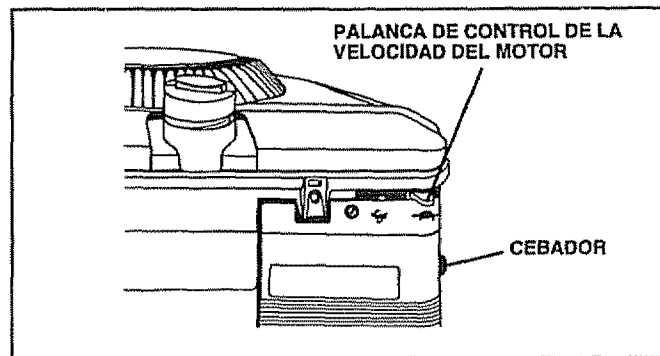


FIG. 3

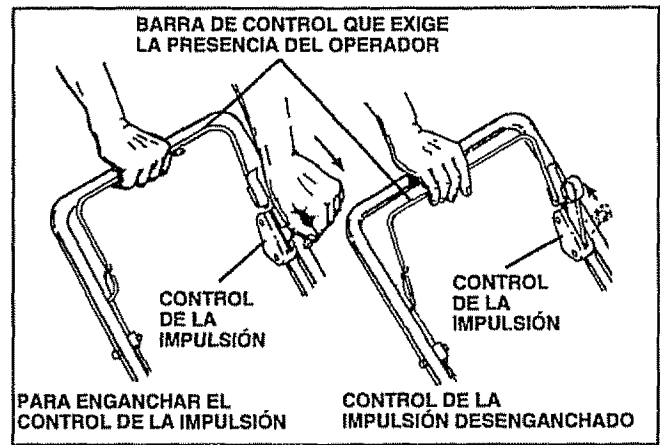


FIG. 4

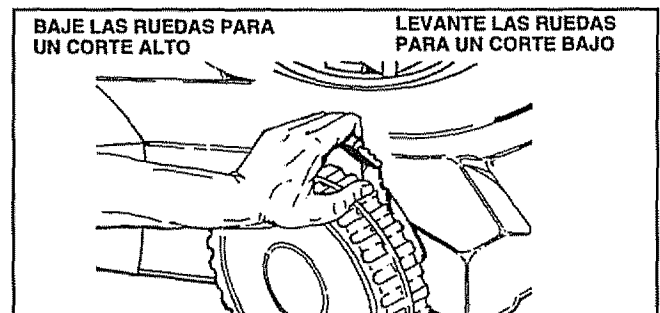


FIG. 5

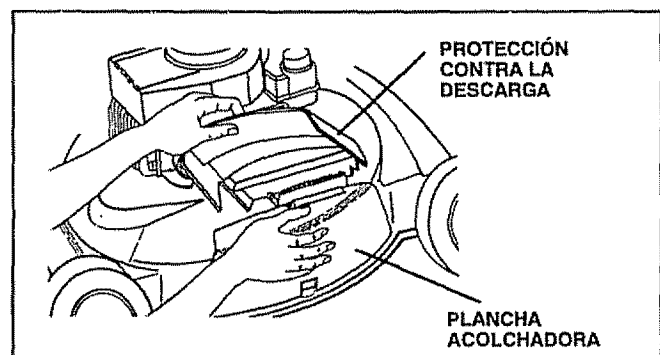


FIG. 6

# OPERACIÓN

## ANTES DE HACER ARRANCAR EL MOTOR

### ACEITE (Vea la Fig. 7)

Su segadora fue enviada sin aceite en el motor.

- Asegúrese que la segadora esté nivelada y que el área alrededor del depósito de aceite esté limpia.
- Remueva la tapa del depósito de aceite del motor con la varilla indicadora de nivel y rellene hasta la línea de lleno en ésta.
- Use 20 oz. de aceite. Para el tipo y la calidad vea "MOTOR" en la sección de las Responsabilidades del Cliente en este manual.
- Vacíe el aceite lentamente. No lo llene demasiado.
- Revise el nivel del aceite antes de cada uso. Agregue aceite si es necesario. Llene hasta la línea de lleno en la varilla indicadora de nivel.
- Para leer el nivel adecuado, apriete la tapa del depósito de aceite del motor cada vez.
- Vuelva a instalar la tapa del depósito del aceite y apriétela.
- Después de las dos (2) primeras horas de siega, cambie el aceite y cada 25 horas de ahí en adelante. Puede necesitar cambiar el aceite más a menudo cuando las condiciones son polvorosas o sucias.

### GASOLINA (Vea la Fig. 7)

- Llene el estanque de gasolina con gasolina nueva, limpia y sin plomo. NO USE GASOLINA DE CALIDAD PREMIUM. TENGA CUIDADO DE NO LLENAR EL ESTANQUE DEMASIADO.

**ADVERTENCIA:** La experiencia ha indicado que los combustibles mezclados con alcohol (conocidos como gasohol, o el uso de etanol o metanol) pueden atraer la humedad, la que conduce a la separación y formación de ácidos durante el almacenamiento. La gasolina ácida puede dañar el sistema del combustible de un motor durante el almacenamiento. Para evitar los problemas con el motor, se debe vaciar el sistema del combustible antes de guardarlo por un período de 30 días o más. Vacíe el estanque del combustible, haga arrancar el motor y hágalo funcionar hasta que las líneas del combustible y el carburador queden vacíos. La próxima temporada use combustible nuevo. Vea las Instrucciones Para El Almacenamiento para más información. Nunca use productos de limpieza para el motor o para el carburador en el estanque del combustible pues se pueden producir daños permanentes.

## PARA HACER ARRANCAR EL MOTOR

- Para hacer arrancar un motor frío, empuje el cebador tres (3) veces antes de tratarlo. Empuje firmemente. Este paso normalmente no es necesario cuando se hace arrancar un motor que ya ha estado funcionando por unos cuantos minutos.
- Mueva la palanca de control de velocidad del motor a la posición de rápido (↻).
- Sujete la barra de control que exige la presencia del operador abajo en el mango y tire el mango del arrancador rápidamente. No permita que el cordón arrancador se devuelva abruptamente.
- Para parar el motor, suelte la barra de control que exige la presencia del operador.

**AVISO:** En climas más fríos puede que sea necesario repetir los pasos del cebado. En climas más calurosos el cebado demasiado puede producir el ahogo y el motor no va a arrancar. Si se ahoga el motor espere unos cuantos minutos antes de tratar de hacerlo arrancar y no repita los pasos del cebado.

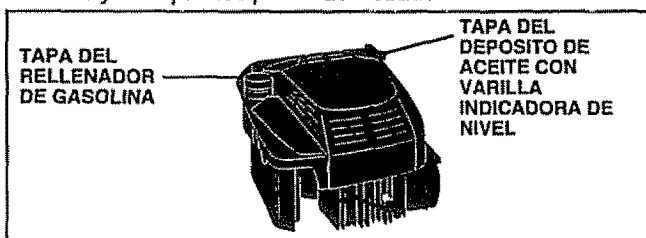


FIG. 7

## CONSEJOS PARA SEGAR

- Bajo ciertas condiciones, tal como césped muy alto, puede ser necesario el elevar la altura del corte para reducir el esfuerzo necesario para empujar la segadora y para evitar sobrecargar el motor, dejando montones de recortes de césped.
- Para un corte muy pesado, reduzca el ancho del corte pasando parcialmente por encima del lugar anteriormente cortado y siegue lentamente.
- Para un mejor ensacado del césped y para la mayoría de las condiciones de corte, la velocidad del motor debe ajustarse a la posición de rápido (↻).
- Si las segadoras de descarga lateral cortan en una dirección contraria a las manillas del reloj, si se empieza en la parte de afuera del área que se va a cortar, se repartirán los recortes del césped en forma más pareja y el motor se cargará menos. Para evitar que los recortes caigan en los senderos, en las flores, etc., haga los primeros cortes en la dirección de las manillas del reloj.
- Los poros en los recogedores de césped de tela pueden llenarse con mugre y polvo con el uso y los recogedores recaudarán menos césped. Para evitar esto, rocíe el recogedor con la manguera de agua, regularmente, y déjelo secarse antes de usarlo.
- Mantenga la parte superior del motor, alrededor del arrancador, despejada y sin recortes de césped y paja. Esto ayudará el flujo del aire del motor y extenderá su duración.

## CONSEJOS PARA SEGAR Y ACOLCHAR

**IMPORTANTE:** PARA OBTENER EL MEJOR RENDIMIENTO MANTENGA LA CAJA DE LA SEGADORA SIN ACUMULACION DE CESPED Y BASURA. VEA "LIMPIEZA" EN LA SECCION DE "RESPONSABILIDADES DEL CLIENTE" DE ESTE MANUAL.

- La cuchilla acolchadora especial va a volver a cortar los recortes de césped muchas veces, y los reduce en tamaño, de modo que si se caen en el césped se van a dispersar entre éste y no se van a notar. También, el césped acolchado se va a deshacer rápidamente entregando substancias nutritivas para el césped. Siempre acolche con la velocidad del motor (cuchilla) más alta, pues así se obtendrá la mejor acción de recorte de las cuchillas.
- Evite cortar el césped cuando esté mojado. El césped mojado tiende a formar montones e interfiere con la acción de acolchado. La mejor hora para segar el césped es temprano en la tarde. A esa hora éste se ha secado y el área recién cortada no quedará expuesta al sol directo.
- Para obtener los mejores resultados, ajuste la altura del corte de la segadora de modo que ésta corte solamente el tercio superior de las hojas de césped (Vea la Fig. 8). En el caso de que el césped haya crecido demasiado, puede ser necesario el elevar la altura del corte para reducir el esfuerzo necesario para empujar la segadora y para evitar sobrecargar el motor, dejando montones de recortes de césped. Para un acolchamiento muy pesado, reduzca el ancho del corte pasando por encima del lugar anteriormente cortado y siegue lentamente.
- Ciertos tipos de césped y sus condiciones pueden exigir que un área tenga que ser acolchada por segunda vez para esconder completamente los recortes. Cuando se haga el segundo corte, siegue atravesado o en forma perpendicular a la pasada del primer corte.
- Cambie su patrón de corte de semana a semana. Siegue de norte a sur una semana y luego cambie de este a oeste la próxima semana. Esto evitará que el césped se enrede y cambie de dirección.

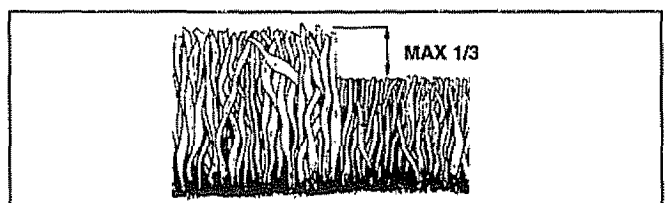


FIG. 8

# RESPONSABILIDADES DEL CLIENTE

PROGRAMA DE MANTENIMIENTO LLENE LAS FECHAS A MEDIDA QUE COMPLETE SU SERVICIO REGULAR		FECHAS DE SERVICIO						
		ANTES DE CADA USO	DESPUES DE CADA USO	PRIMERAS 2 HORAS	CADA 5 HORAS	CADA 25 HORAS	CADA TEMPORADA	ANTES DEL ALMACENAMIENTO
SEGA DORA	Revisar si hay sujetadores sueltos	✓						✓
	Limpiar/inspeccionar el recogedor de césped (si viene equipado)	✓	✓					✓
	Limpiar la segadora		✓					✓
	Inspeccionar/limpiar las ruedas impulsoras (segadoras autoimpulsadas)	✓			✓			
	Affilar/cambiar la cuchilla de la segadora					✓ <sup>3</sup>		
	Tabla de lubricación					✓		✓
MOTOR	Limpiar la batería/recargar (segadoras con arranque eléctrico)				✓			✓ <sup>4</sup>
	Revisar el nivel del aceite	✓			✓			
	Cambiar el aceite del motor			✓		✓ <sup>1,2</sup>		
	Limpiar el filtro de aire					✓ <sup>2</sup>		
	Inspeccionar el silenciador					✓		
	Cambiar la bujía						✓	
Cambiar el cartucho de papel del filtro de aire						✓ <sup>2</sup>		

- 1 - Cambiar más a menudo cuando se opere bajo carga pesada o en ambientes con altas temperaturas.
- 2 - Dar servicio más a menudo cuando se opere en condiciones sucias o polvorosas.
- 3 - Cambie las cuchillas más a menudo cuando siegue en terreno arenoso.
- 4 - Cargar por 48 horas al fin de la temporada.

## RECOMENDACIONES GENERALES

La garantía de esta segadora no cubre los artículos que han estado sujetos al abuso o a la negligencia del operador. Para recibir todo el valor de la garantía, el operador tiene que mantener la segadora según las instrucciones descritas en este manual.

Hay algunos ajustes que se tienen que hacer en forma periódica para poder mantener su unidad adecuadamente.

Todos los ajustes en la sección de Servicio y Ajustes de este manual tienen que ser revisados por lo menos un vez por cada temporada.

- Una vez al año, cambie la bujía, limpie o cambie el elemento del filtro de aire y revise si la cuchilla está desgastada. Una bujía nueva y un elemento del filtro de aire limpio/nuevo aseguran la mezcla de aire-combustible adecuada y ayudan a que su motor funcione mejor y que dure más.
- Siga el programa de mantenimiento en este manual.

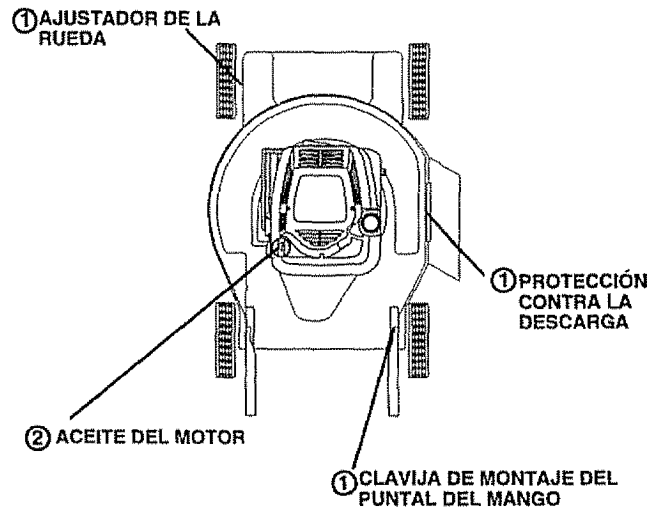
### ANTES DE CADA USO

- Revise el nivel del aceite del motor.
- Revise si hay sujetadores sueltos.

### LUBRICACIÓN

Mantenga la unidad bien lubricada (vea la "TABLA DE LUBRICACIÓN").

## TABLA DE LUBRICACIÓN



- ① ROCIE EL LUBRICANTE
- ② REFIERASE A LA SECCIÓN DE RESPONSABILIDADES DEL CLIENTE EN "MOTOR"

**IMPORTANTE:** NO ACEITE O ENGRASE LOS RODAMIENTOS DE LA RUEDA DE PLÁSTICO. LOS LUBRICANTES VISCOSOS ATRAERAN POLVO Y MUGRE, LO QUE ACORTARA LA DURACIÓN DE LOS RODAMIENTOS AUTOLUBRICANTES. SI CREE QUE TIENEN QUE LUBRICARSE, USE SOLAMENTE UN LUBRICANTE TIPO GRAFITO, DE POLVO SECO, EN FORMA MODERADA.

# RESPONSABILIDADES DEL CLIENTE

## SEGADORA

Siempre observe las reglas de seguridad cuando haga el mantenimiento.

### LLANTAS

- Mantenga las llantas sin gasolina, aceite o sustancias químicas para control de insectos que pueden dañar la goma.
- Evite los tocones, las piedras, las grietas profundas, los objetos afilados y otros peligros que pueden dañar a las llantas.

### CUIDADO DE LA CUCHILLA

Para obtener los mejores resultados, la cuchilla de la segadora tiene que mantenerse afilada. Cambie la cuchilla doblada o dañada.

**PARA REMOVER LA CUCHILLA (Vea la Fig. 9)**

- Desconecte el alambre de la bujía y póngalo en donde no pueda entrar en contacto con ésta.
- Haga descansar la segadora en su lado. Asegúrese que el filtro de aire y que el carburador queden mirando hacia arriba.
- Use un bloque de madera entre la cuchilla y la caja de la segadora para evitar que la cuchilla gire cuando se le quite el perno.
- Proteja sus manos con guantes y/o envuelva la cuchilla con una tela gruesa.
- Remueva el perno de la cuchilla girándolo en el sentido contrario en que giran las manillas del reloj.
- Remueva la cuchilla y los artículos de ferretería adjuntadores (el perno, la arandela de seguridad y la arandela endurecida).

**AVISO:** Remueva el adaptador de la cuchilla y revise el cubo interior de la ranura del adaptador de la cuchilla. La ranura tiene que estar en buenas condiciones para que funcione en forma adecuada. Cambie el adaptador si está dañado.

**PARA CAMBIAR LA CUCHILLA (Vea la Fig. 9)**

- Ponga el adaptador de la cuchilla en el cigüeñal del motor. Asegúrese que la ranura del adaptador y que el chavetero del cigüeñal estén alineados.
- Ponga la cuchilla en el adaptador de ésta alineando los dos (2) agujeros en la cuchilla con las salientes elevadas en el adaptador.
- Asegúrese de que el borde de salida de la cuchilla (opuesto al borde afilado) esté hacia arriba hacia el motor.
- Instale el perno de la cuchilla con la arandela de seguridad y la arandela endurecida en el adaptador de la cuchilla y el cigüeñal.
- Use un bloque de madera entre la cuchilla y la caja de la segadora y apriete el perno de la cuchilla girándolo en el sentido en que giran las manillas del reloj.
- La torsión para apretar recomendada es de 35 – 40 pies libras.

**IMPORTANTE:** EL PERNO DE LA CUCHILLA ES CLASE 8 TRATADO A CALOR.

**AVISO:** No recomendamos el afilar la cuchilla – pero si lo hace, asegúrese de que quede balanceada.

### PARA AFILAR LA CUCHILLA

Se tiene que tener cuidado de mantenerla balanceada. Una cuchilla que no está balanceada va a producir eventualmente daño en la segadora o en el motor.

- La cuchilla puede afilarse con una lima o en una rueda rectificadora. No trate de afilarla mientras se encuentra en la segadora.
- Para revisar el balance de la cuchilla, clave un clavo en una viga o en la pared. Deje alrededor de una pulgada de un clavo recto expuesto. Ponga el agujero central de la cuchilla sobre la cabeza del clavo. Si la cuchilla está balanceada debe permanecer en la posición horizontal. Si cualquiera de los extremos de la cuchilla se mueve hacia abajo, afile el extremo pesado hasta que ésta quede balanceada.

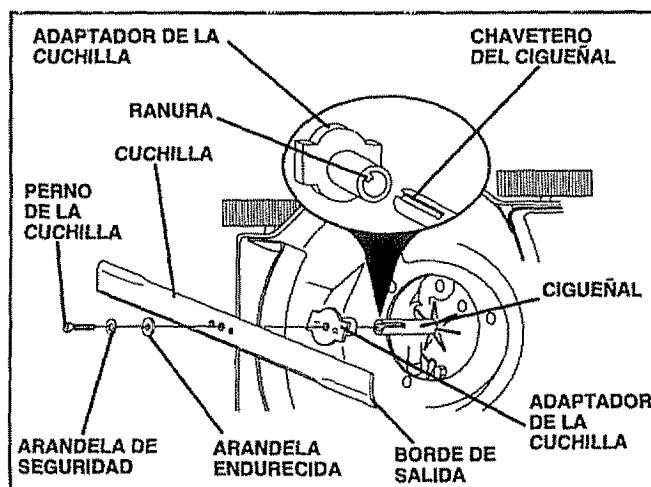


FIG. 9

## RECOGEDOR DE CÉSPED

(Si comprado como un accesorio)

- El recogedor de césped puede ser rociado con el agua de la manguera pero tiene que estar seco cuando se vaya a usar.
- Revise su recogedor de césped a menudo para verificar si está dañado o deteriorado. Se va a desgastar con el uso normal. Si se necesita cambiar el recogedor, cámbielo solamente por uno que sea aprobado por el fabricante. Dé el número del modelo de la segadora cuando lo ordene.

## CAJA DE ENGRANAJES

- Para mantener el sistema de impulsión funcionando en forma adecuada, la caja de engranajes y el área alrededor de la impulsión tienen que mantenerse limpias y sin acumulación de basura. Limpie debajo de la cubierta de la impulsión dos veces por temporada.
- La caja de engranajes se llena con lubricante hasta el nivel adecuado en la fábrica. La única vez que el lubricante necesita atención es cuando se le ha prestado servicio a la caja de engranajes.
- Si se necesita lubricante, use solamente Grasa Texaco Starplex Premium 1, Parte No. 750369. No use sustitutos.

## RUEDAS DE IMPULSIÓN

Revise las ruedas de impulsión delanteras cada vez antes de segar, para asegurarse de que se mueven libremente.

Si las ruedas no giran libremente quiere decir que hay basura, recortes de césped, etc. en el área de las ruedas de impulsión y tienen que limpiarse para liberarlas.

Es necesario limpiar las ruedas de impulsión; revise ambas ruedas delanteras.

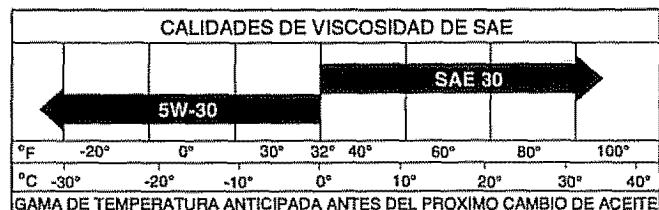
- Remueva los tapacubos, las clavijas de horquilla y las arandelas.
- Remueva las ruedas de los ajustadores de las ruedas.
- Remueva la basura y los recortes de césped de dentro de la cubierta contra el polvo, piñón y/o de los dientes de los engranajes de las ruedas de impulsión.
- Ponga las ruedas de vuelta en su lugar.
- Si después de limpiar las ruedas de impulsión no giran libremente, póngase en contacto con su centro/departamento de servicio autorizado más cercano.

# RESPONSABILIDADES DEL CLIENTE

## MOTOR

### LUBRICACIÓN

Use solamente aceite de detergente de alta calidad clasificado con la clasificación SF o SG de servicio API. Seleccione la calidad de viscosidad SAE según su temperatura de operación esperada.



**AVISO:** A pesar de que los aceites de multiviscosidad (5W30, 10W30, etc.) mejoran el arranque en clima frío, estos aceites de multiviscosidad van a aumentar el consumo de aceite cuando se usan en temperaturas sobre 32° F. Revise el nivel del aceite del motor más a menudo, para evitar un posible daño en el motor, debido a que no tiene suficiente aceite.

Cambie el aceite después de las dos primeras horas de operación y cada 25 horas de ahí en adelante, o por lo menos una vez al año, si la segadora no se usa 25 horas en un año.

Revise el nivel del aceite del cárter antes de arrancar el motor y después de cada cinco (5) horas de uso continuado. Apriete el tapón del aceite en forma segura cada vez que revise el nivel del aceite.

PARA CAMBIAR EL ACEITE DEL MOTOR (Vea la Fig. 10)

**AVISO:** Antes de inclinar la segadora para drenar el aceite, drene el tanque de combustible haciendo correr el motor hasta que el tanque esté vacío.

- Desconecte el alambre de la bujía y póngalo de modo que no pueda entrar en contacto con ésta.
- Remueva la tapa del depósito del aceite; déjela a un lado en una superficie limpia.
- Inclina la segadora y hágala descansar en su lado y drene el aceite en un envase adecuado. Mueva la segadora de atrás para adelante para remover todo el aceite que se haya quedado atrapado dentro del motor.
- Limpie todo el aceite derramado en la segadora y en el lado del motor.
- Llène el motor con aceite. Llénelo solamente hasta la línea de lleno (FULL) en la varilla indicadora de nivel. NO LO LLENE DEMASIADO.
- Vuelva a poner la tapa en el depósito del aceite.
- Vuelva a conectar el alambre de la bujía a ésta.

### FILTRO DE AIRE

Su motor no funcionará en forma adecuada y puede sufrir daños si se usa un filtro de aire sucio.

Cambie el filtro de aire cada año, y más a menudo, si siega en condiciones muy polvorosas o sucias.

PARA LIMPIAR EL FILTRO DE AIRE (Vea la Fig. 11)

- Suelte el tornillo e incline la cubierta para removerlo.
- Cuidadosamente, remueva el cartucho.
- Límpielo golpeándolo suavemente en una superficie plana. Si está muy sucio cambie el cartucho.



**PRECAUCIÓN:** Los solventes de petróleo, tales como el keroseno, no se deben usar para limpiar el cartucho. Pueden producir el deterioro de éste. No aceite el cartucho. No use aire a presión para limpiarlo o secarlo.

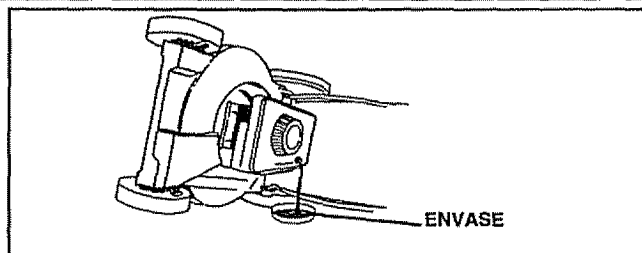


FIG. 10

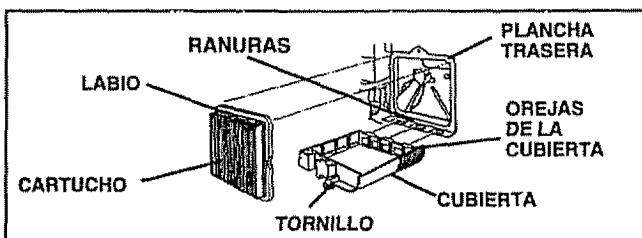


FIG. 11

- Instale el cartucho, luego vuelva a poner la cubierta asegurándose que las orejas estén alineadas con las ranuras en la plancha trasera. Apriete el tornillo en forma segura.

### SILENCIADOR

Inspeccione y cambie el silenciador si está corroído pues producir un peligro de incendio y/o daño.

### BUJÍA

Cambie su bujía cada año para hacer que su motor arranque más fácilmente y funcione mejor. Ajuste la abertura de la bujía en 0.030 pulgada.

### LIMPIEZA

**IMPORTANTE:** PARA OBTENER EL MEJOR RENDIMIENTO, MANTENGA LA CAJA DE LA SEGADORA SIN ACUMULACION DE CESPED Y BASURA. LIMPIE LA PARTE DE ABAJO DE SU SEGADORA DESPUES DE CADA USO.



**PRECAUCIÓN:** Desconecte el alambre de la bujía y póngalo en donde no pueda entrar en contacto con ésta.

- Haga descansar la segadora en su lado. Asegúrese que el filtro de aire y que el carburador queden mirando hacia arriba. Limpie la parte inferior de su segadora raspándola para remover la acumulación de césped y basura.
- Limpie el motor a menudo para evitar que se acumule la basura. Un motor tapado funciona más caliente y se acorta su duración.
- Mantenga las superficies pulidas y las ruedas sin gasolina, aceite, etc.
- No recomendamos el uso de una manguera de jardín para limpiar la segadora a menos que el sistema eléctrico, el silenciador, el filtro de aire y el carburador estén tapados para evitar que les entre el agua. El agua en el motor puede acortar la duración de éste.

### LIMPIE DEBAJO DE LA CUBIERTA DE LA IMPULSIÓN

Limpie debajo de la cubierta de la impulsión por lo menos dos veces cada temporada. Raspe debajo de la cubierta con un cuchillo para masilla o con una herramienta parecida, para remover toda acumulación de césped o basura en la parte inferior de la cubierta de la impulsión.

# SERVICIO Y AJUSTES

## SEGADORA

### PARA AJUSTAR LA ALTURA DE CORTE

Vea "PARA AJUSTAR LA ALTURA DE CORTE" en la sección de Operación de este manual.

### DESVIADOR TRASERO

Se proporciona un desviador trasero, adjunto entre las ruedas traseras de su segadora, para reducir a un mínimo la posibilidad que objetos sean lanzados hacia afuera de la parte trasera de la segadora, en la posición en donde se encuentra el operador. Si se daña el desviador debe cambiarse.

### PARA REMOVER/CAMBIAR LA CORREA DE IMPULSIÓN (Vea la Fig. 12)

- Remueva la cubierta de la impulsión. Remueva la correa empujando hacia abajo en la polea de la caja de engranajes.
- Haga descansar la segadora en su lado con el filtro de aire y el carburador mirando hacia arriba.
- Remueva la cuchilla.
- Remueva la defensa en contra del desperdicio.
- Remueva la correa de la polea del motor en el cigueñal.
- Instale la correa nueva siguiendo los pasos anteriores en el orden inverso.
- Siempre use la correa aprobada por la fábrica para asegurarse que calce y dure.

### PARA AJUSTAR EL MANGO (Vea las Figs. 13 a 15)

Se puede levantar o bajar el mango de su segadora según le quede cómodo. Hay cuatro (4) posiciones disponibles: alta, mediana alta, mediana baja, baja. Los mangos se envían montados en la posición mediana baja.

- Para cambiar de la posición mediana baja a mediana alta, la sección superior y la inferior del mango tendrán que darse vuelta (Vea la Fig. 13B).
- Remueva las abrazaderas del cable.
- Remueva los controles y la barra de control que exige la presencia del operador del mango superior.
- Remueva la guía del cordón arrancador del mango inferior.
- Remueva las clavijas de horquilla.
- Desconecte el mango inferior de los puntales del mango (Vea la Fig. 15).
- De vuelta el mango y vuelva a montar las clavijas de horquilla que se habían removido.
- Vuelva a montar la guía del cordón arrancador.
- Vuelva a montar los controles y la barra de control que exige la presencia del operador en el mango superior.



**PRECAUCIÓN:** La barra de control que exige la presencia del operador tiene que pivotar libremente para permitir el enganche de la cuchilla/freno cuando se suelta la barra de control. No apriete demasiado los sujetadores que sujetan a los controles al mango superior.

- Para cambiar de la posición de mediana baja a alta solamente se tendrá que dar vuelta la sección del mango superior (Vea la Fig. 14A).
- Para cambiar de la posición mediana baja a baja, solamente se tendrá que dar vuelta la sección del mango inferior (Vea la Fig. 14B).

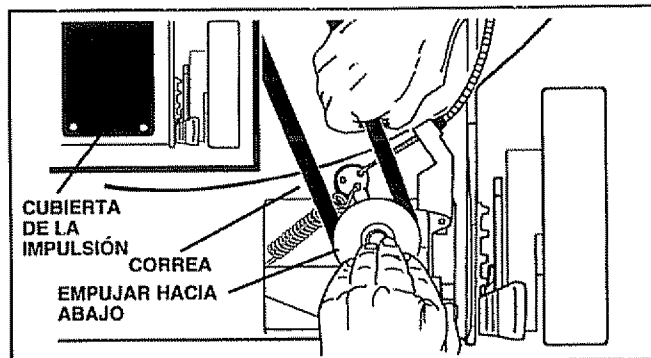


FIG. 12

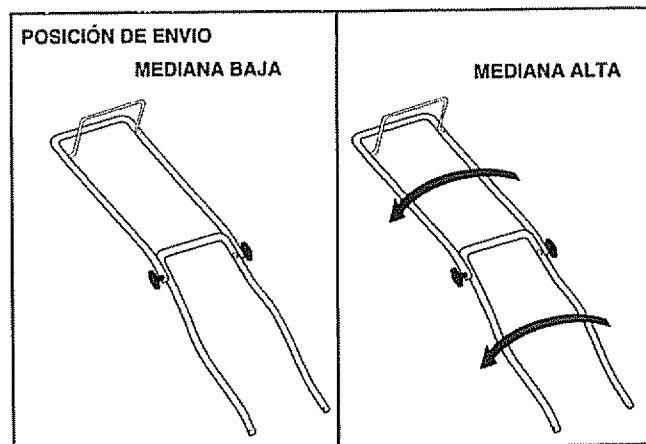


FIG. 13A

FIG. 13B

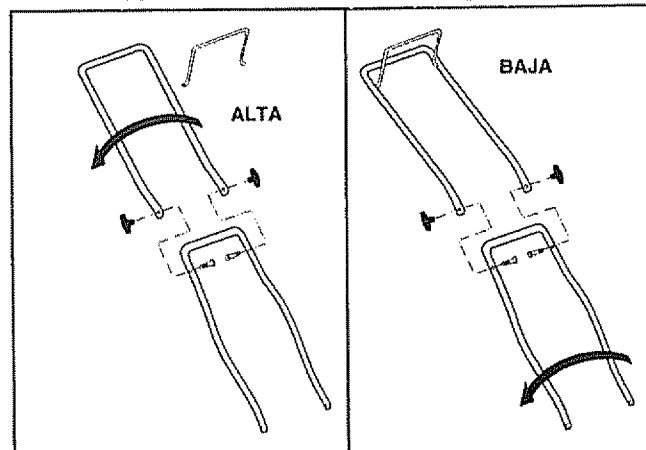


FIG. 14A

FIG. 14B

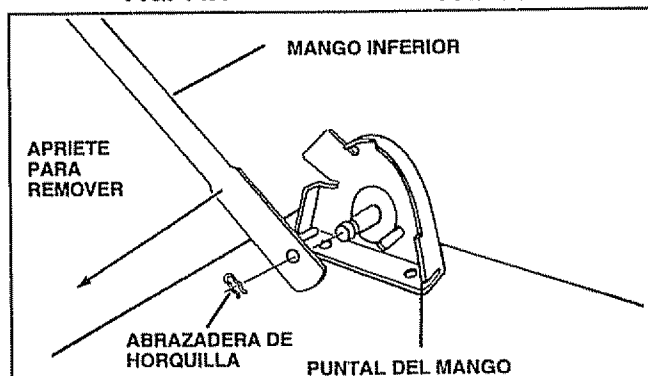


FIG. 15

# SERVICIO Y AJUSTES

## MOTOR

### VELOCIDAD DEL MOTOR

La velocidad del motor ha sido ajustada en la fábrica. No trate de aumentar la velocidad del motor pues se pueden producir lesiones personales. Si cree que el motor está funcionando demasiado rápido o demasiado lento, lleve su segadora a un centro/departamento de servicio autorizado para repararla o ajustarla.

### PARA AJUSTAR EL CARBURADOR (Vea la Fig. 16)

Puede ser necesario el hacer ajustes de menor importancia en el carburador para compensar por las diferencias existentes en el combustible, la temperatura, la altura o la carga. El filtro de aire y la cubierta del filtro de aire tienen que ser montados en el carburador mientras esté funcionando.

#### AJUSTE INICIAL –

Con el motor sin funcionar, suavemente, gire el tornillo de la mezcla en vacío, en el sentido de las manillas del reloj hasta que apenas se cierre. El tornillo se puede dañar si se le mete muy adentro.

Luego, abra el tornillo una vuelta, en el sentido contrario de las manillas del reloj. Este ajuste inicial permitirá que arranque el motor y se caliente (aproximadamente 5 minutos) antes del ajuste final.

**AVISO:** No ajuste el tornillo de ajuste sin carga superior. Fue preajustado en la fábrica.

#### AJUSTE FINAL –

Ponga la palanca de control de la velocidad del motor en posición en vacío o lento (☞). Ajuste las RPM en vacío girando el tornillo de ajuste de la velocidad en vacío para obtener 1700 RPM. Luego, gire el tornillo de mezcla en vacío hacia adentro (en el sentido de las manillas del reloj – mezcla pobre) hasta que el motor apenas arranque a lento. Luego gire el tornillo de mezcla en vacío hacia afuera (en el sentido contrario de las manillas del reloj – mezcla rica) hasta que el motor funcione en forma dispereja. Ahora gire el tornillo de mezcla en vacío hasta la mitad entre mezcla rica y pobre. El motor debe acelerar parejamente. Si el motor no acelera en forma adecuada, se debe volver a ajustar el carburador, normalmente a una mezcla más rica, al girar el tornillo de mezcla en vacío, en el sentido contrario a las manillas del reloj, 1/8 de vuelta más.

**IMPORTANTE:** NUNCA MANIPULEE EL REGULADOR DEL MOTOR, EL QUE HA SIDO AJUSTADO EN LA FÁBRICA PARA LA VELOCIDAD DEL MOTOR ADECUADA. PUEDE SER PELIGROSO HACER FUNCIONAR EL MOTOR A UNA VELOCIDAD POR SOBRE EL AJUSTE DE ALTA VELOCIDAD DE LA FÁBRICA. SI CREE QUE LA VELOCIDAD ALTA REGULADA DEL MOTOR NECESITA AJUSTE, PONGASE EN CONTACTO CON SU CENTRO/DEPARTAMENTO DE SERVICIO AUTORIZADO MÁS CERCANO, EL QUE CUENTA CON EL EQUIPO ADECUADO Y LA EXPERIENCIA PARA HACER LOS AJUSTES NECESARIOS.

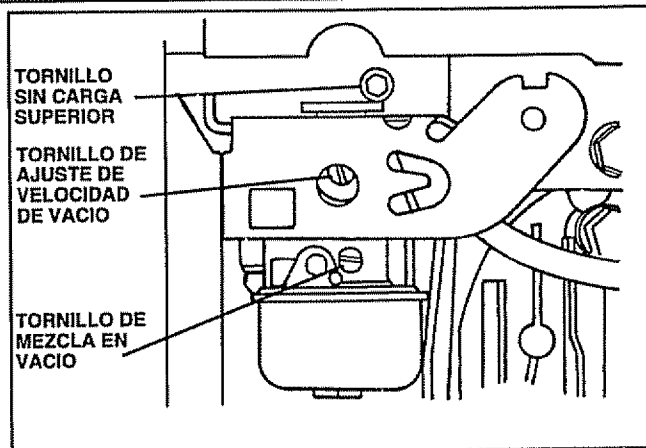


FIG. 16

# ALMACENAMIENTO

Inmediatamente prepare su segadora para el almacenamiento al final de cada temporada o si la unidad no se va a usar por 30 días o más.

## SEGADORA

Cuando se va a guardar la segadora por cierto período de tiempo, límpiela cuidadosamente, remueva toda la mugre, la grasa, las hojas, etc. Guárdela en un área limpia y seca.

- Limpie toda la segadora (Vea "LIMPIEZA" en la sección de Responsabilidades del Cliente de este manual).
- Lubríquela según se muestra en la sección de Responsabilidades del Cliente de este manual.
- Asegúrese de que todas las tuercas y clavijas y todos los pernos y tornillos estén apretados en forma segura. Inspeccione las partes que se mueven para verificar si están dañadas, quebradas o desgastadas. Cámbielas si es necesario.
- Retoque todas las superficies que estén oxidadas o con la pintura picada; use una lija antes de pintar.

## MANGO (Vea la Fig. 17)

Puede doblar el mango de su segadora para almacenarla.

- Apriete los extremos inferiores del mango inferior entre sí hasta que el mango inferior quede separado del puntal del mango, luego muévalo hacia adelante.
- Suelte los pernos de montaje del mango superior lo suficiente como para permitir que el mango superior se pueda doblar hacia atrás.

**IMPORTANTE:** CUANDO DOBLE EL MANGO PARA EL ALMACENAMIENTO O EL TRANSPORTE, ASEGURESE QUE LO DOBLE SEGUN SE MUESTRA O PUEDE DAÑAR LOS CABLES DE CONTROL.

- Cuando prepare sus mangos a partir de la posición de almacenamiento, el mango inferior automáticamente se asegurará en la posición para segar.

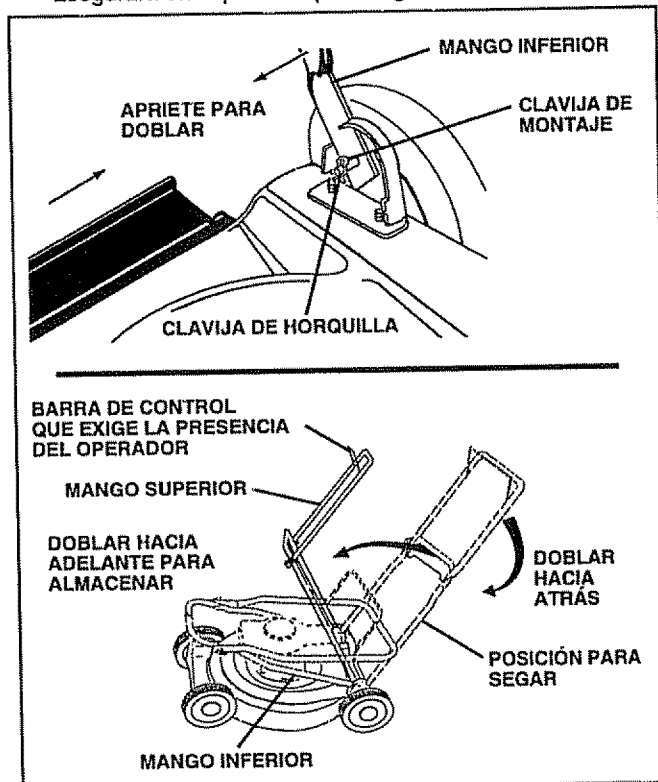


FIG. 17

## MOTOR

### SISTEMA DE COMBUSTIBLE

**IMPORTANTE:** ES IMPORTANTE EVITAR QUE SE FORMEN DEPÓSITOS DE GOMA EN PARTES FUNDAMENTALES DEL SISTEMA DE COMBUSTIBLE TALES COMO EL CARBURADOR, EL FILTRO DEL COMBUSTIBLE, LA MANGUERA DEL COMBUSTIBLE O EN EL ESTANQUE DURANTE EL ALMACENAMIENTO. LA EXPERIENCIA TAMBIÉN INDICA QUE LOS COMBUSTIBLES MEZCLADOS CON ALCOHOL (CONOCIDO COMO GASOHOL O QUE TIENEN ETANOL O METANOL) PUEDEN ATRAER HUMEDAD, LO QUE CONDUCE A LA SEPARACIÓN Y A LA FORMACIÓN DE ÁCIDOS DURANTE EL ALMACENAMIENTO. LA GASOLINA ÁCIDICA PUEDE DAÑAR EL SISTEMA DE COMBUSTIBLE DE UN MOTOR DURANTE EL PERÍODO DE ALMACENAMIENTO.

- Drene el estanque de combustible.
- Haga arrancar el motor y déjelo funcionar hasta que las líneas del combustible y el carburador estén vacíos.
- Nunca use los productos para limpieza del carburador o del motor en el estanque de combustible pues se pueden producir daños permanentes.
- Use combustible nuevo la próxima temporada.

**AVISO:** El estabilizador de combustible es una alternativa aceptable para reducir a un mínimo la formación de depósitos de goma en el combustible durante el período de almacenamiento. Agregue estabilizador a la gasolina en el estanque de combustible o en el envase para el almacenamiento. Siempre siga la proporción de mezcla que se encuentra en el envase del estabilizador. Haga funcionar el motor por lo menos 10 minutos después de agregar el estabilizador, para permitir que este llegue al carburador. No drene la gasolina del estanque de gasolina y el carburador si se está usando estabilizador de combustible.

### ACEITE DEL MOTOR

Drene el aceite (con el motor caliente) y cámbielo con aceite de motor limpio. (Vea "MOTOR" en la sección de Responsabilidades del Cliente de este manual.)

### CILINDRO

- Remueva la bujía.
- Vacíe una onza (29 ml) de aceite a través del agujero de la bujía en el cilindro.
- Tire la manilla de arranque lentamente unas cuantas veces para distribuir el aceite.
- Vuelva a montar la nueva bujía.

### OTROS

- No guarde la gasolina de una temporada a la otra.
- Cambie el envase de la gasolina si se empieza a oxidar. La oxidación y/o la mugre en su gasolina producirán problemas.
- Si es posible, guarde su unidad en un recinto cerrado y cúbrala para protegerla contra el polvo y la mugre.
- Cubra su unidad con un forro protector adecuado que no retenga la humedad. No use plástico. El plástico no puede respirar, lo que permite la formación de condensación, lo que producirá la oxidación de su unidad.

**IMPORTANTE:** NUNCA CUBRA LA SEGADORA MIENTRAS EL MOTOR Y LAS ÁREAS DE ESCAPE TODAVÍA ESTÁN CALIENTES.



**PRECAUCIÓN:** Nunca almacene la segadora con gasolina en el estanque dentro de un edificio en donde los gases pueden alcanzar una llama expuesta o una chispa. Permita que se enfríe el motor antes de almacenarla en algún recinto cerrado.

# IDENTIFICACIÓN DE PROBLEMAS

PROBLEMA	CAUSA	CORRECCIÓN
No arranca	<ol style="list-style-type: none"> <li>1. Filtro de aire sucio.</li> <li>2. Sin combustible.</li> <li>3. Combustible rancio.</li> <li>4. Agua en el combustible.</li> <li>5. Alambre de la bujía desconectado.</li> <li>6. Bujía mala.</li> <li>7. Cuchilla suelta o adaptador de la cuchilla quebrado.</li> <li>8. Barra de control en la posición suelta.</li> <li>9. Barra de control defectuosa.</li> </ol>	<ol style="list-style-type: none"> <li>1. Limpie/cambie el filtro de aire.</li> <li>2. Llene el estanque de combustible.</li> <li>3. Drene el estanque y vuelva a llenarlo con combustible limpio y nuevo.</li> <li>4. Drene el estanque de combustible y el carburador y vuelva a llenar el estanque con gasolina nueva.</li> <li>5. Conecte el alambre a la bujía.</li> <li>6. Cambie la bujía.</li> <li>7. Apriete el perno de la cuchilla o cambie el adaptador de la cuchilla.</li> <li>8. Presione la barra de control hacia el mango.</li> <li>9. Cambie la barra de control.</li> </ol>
Falta de fuerza	<ol style="list-style-type: none"> <li>1. Parte trasera de la caja/cuchilla de la segadora arrastrándose en el césped pesado.</li> <li>2. Está cortando mucho césped.</li> <li>3. Filtro de aire sucio.</li> <li>4. Acumulación de césped, hojas y basura debajo de la segadora.</li> <li>5. Demasiado aceite en el motor.</li> <li>6. Velocidad de recorrido demasiado rápida.</li> </ol>	<ol style="list-style-type: none"> <li>1. Ajuste a la posición de "Corte más alto."</li> <li>2. Ajuste a la posición de "Corte más alto."</li> <li>3. Limpie/cambie el filtro de aire.</li> <li>4. Limpie la parte inferior de la caja de la segadora.</li> <li>5. Revise el nivel del aceite.</li> <li>6. Corte a una velocidad de recorrido más lenta.</li> </ol>
Mal corte – disparejo	<ol style="list-style-type: none"> <li>1. Cuchilla desgastada, doblada o suelta.</li> <li>2. Altura de las ruedas dispareja.</li> <li>3. Velocidad del motor lenta.</li> <li>4. Acumulación de césped, hojas o basura debajo de la segadora.</li> </ol>	<ol style="list-style-type: none"> <li>1. Cambie la cuchilla. Apriete el perno de la cuchilla.</li> <li>2. Ajuste todas las ruedas a la misma altura.</li> <li>3. Ajuste el control de la velocidad del motor a la posición rápida.</li> <li>4. Limpie la parte inferior de la caja de la segadora.</li> </ol>
Vibración excesiva	<ol style="list-style-type: none"> <li>1. Cuchilla desgastada, doblada o suelta.</li> <li>2. Cigüeñal del motor doblado.</li> </ol>	<ol style="list-style-type: none"> <li>1. Cambie la cuchilla. Apriete el perno de la cuchilla.</li> <li>2. Póngase en contacto con su centro de servicio autorizado más cercano.</li> </ol>
Cordón arrancador difícil de tirar	<ol style="list-style-type: none"> <li>1. El freno del volante del motor está aplicado cuando se suelta la barra de control.</li> <li>2. Cigüeñal del motor doblado.</li> <li>3. Adaptador de la cuchilla quebrado.</li> <li>4. La cuchilla se arrastra en el césped.</li> </ol>	<ol style="list-style-type: none"> <li>1. Presione la barra de control hacia el mango superior antes de tirar el cordón arrancador.</li> <li>2. Póngase en contacto con su centro de servicio autorizado más cercano.</li> <li>3. Cambie el adaptador de la cuchilla.</li> <li>4. Mueva la segadora a un lugar en donde el césped ha sido cortado o a una superficie firme para hacer arrancar el motor.</li> </ol>
Pérdida de impulsión	<ol style="list-style-type: none"> <li>1. Ruedas impulsoras no giran cuando el control de impulsión está enganchado.</li> <li>2. La correa no está impulsando.</li> </ol>	<ol style="list-style-type: none"> <li>1. Ajuste o cambie el cable de control de impulsión, si está roto.</li> <li>2. Ponga las correas en las poleas o cámbielas si están rotas.</li> </ol>
Recogedor de césped no se llena (si viene equipado)	<ol style="list-style-type: none"> <li>1. Altura de corte demasiado baja.</li> <li>2. Levantamiento de la cuchilla desgastado.</li> <li>3. Recogedor sin ventilación de aire.</li> <li>4. Velocidad del motor lenta.</li> </ol>	<ol style="list-style-type: none"> <li>1. Eleve la altura de corte.</li> <li>2. Cambie las cuchillas.</li> <li>3. Limpie el recogedor de césped.</li> <li>4. Ajuste el control de la velocidad del motor a la posición rápida.</li> </ol>
Difícil de empujar	<ol style="list-style-type: none"> <li>1. El césped está demasiado alto o la altura de la rueda demasiado baja.</li> <li>2. Parte trasera de la caja/cuchilla de la segadora arrastrándose en el césped.</li> <li>3. Recogedor de césped demasiado lleno.</li> <li>4. Posición de la altura del mango no adecuada para usted.</li> </ol>	<ol style="list-style-type: none"> <li>1. Eleve la altura de corte.</li> <li>2. Eleve la parte trasera de la caja de la segadora (1) un lugar más alto.</li> <li>3. Vacíe el recogedor de césped.</li> <li>4. Ajuste la altura del mango de modo que le acomode.</li> </ol>

**SEARS**  
**MANUAL  
DEL DUEÑO**

**MODELO NO.  
917.378571**

**SI NECESITA  
SERVICIO O PARTES  
DE REPUESTO:**

PARA SERVICIO, LLAME ESTE  
NÚMERO DE TELÉFONO SIN  
COBRO:

**1-800-686-5811**  
(LA OPERADORA HABLA ESPAÑOL)

PARA PARTES DE REPUESTO,  
INFORMACIÓN Y PARA  
ORDENAR, LLAME ESTE  
NÚMERO DE TELÉFONO SIN  
COBRO:

**1-800-FON-PART**  
(1-800-366-7278)

**CRAFTSMAN®**

**SEGADORA ROTATORIA  
5.5 CABALLOS DE FUERZA  
DESCARGA LATERAL DE 22"  
3 EN UNO CONVERTIBLE  
PODER PROPULSOR**

Cada segadora cuenta con su propio número del modelo. Cada motor cuenta con su propio número del modelo.

El número del modelo de su segadora se encuentra en la plancha adjunta a la parte trasera de la caja de la segadora.

El número del modelo de su motor se encuentra en la caja del ventilador del motor.

Partes de repuesto se pueden ordenar a través de cualquiera de los Centros/Departamentos de Servicio de Sears, Roebuck and Co., y en la mayoría de sus tiendas.

**CUANDO ORDENE PARTES DE REPUESTO, SIEMPRE DE  
LA INFORMACIÓN SIGUIENTE:**

- PRODUCTO – SEGADORA
- NÚMERO DEL MODELO – 917.378571
- MODELO NO. DEL MOTOR – 128802-1519-23
- NÚMERO DE LA PARTE
- DESCRIPCIÓN DE LA PARTE

Su mercadería Sears vale más cuando se toma en consideración que Sears cuenta con unidades de servicio en todo el país, con técnicos entrenados en los Productos de Sears...tenemos a técnicos profesionales, especialmente entrenados para garantizarle que cumplimos con nuestra promesa, servimos lo que vendemos.