



2-DOOR REFRIGERATOR / FREEZER

Models **CP36W**
CP36BK

Instruction Manual

BEFORE USE, PLEASE READ AND FOLLOW ALL SAFETY RULES AND OPERATING INSTRUCTIONS.

Keep proof of original sales date (such as your sales slip) with this manual to establish the warranty period.

Write down the serial number here. You'll find it on a plate located either on the back of the appliance or on an interior wall.

Felix Storch, Inc.
Summit Appliance Division
770 Garrison Avenue
Bronx, New York, 10474
www.summitappliance.com

TABLE OF CONTENTS

| | |
|---|----------------|
| Important Safeguards | 2 - 3 |
| Installation Instructions | 4 - 7 |
| <i>Before Using Your Appliance</i> | 4 |
| <i>Installing Your Appliance</i> | 4 |
| <i>Electrical Connection</i> | 4 - 5 |
| <i>Reversing the Door Swing of Your Appliance</i> | 5 - 6 |
| <i>Leveling the Refrigerator</i> | 7 |
| Operating Your Appliance | 7 - 9 |
| <i>Temperature Control (Thermostat)</i> | 7 |
| <i>Interior Light</i> | 7 |
| <i>Fresh Food Storage</i> | 8 |
| <i>Frozen Food Storage</i> | 8 - 9 |
| <i>Defrosting Your Appliance</i> | 9 |
| <i>Using Your Ice Cube Tray</i> | 9 |
| Care and Maintenance | 10 - 11 |
| <i>Cleaning Your Refrigerator</i> | 10 |
| <i>Changing the Light Bulb</i> | 10 |
| <i>Power Failure</i> | 10 |
| <i>Vacation Time</i> | 11 |
| <i>Moving Your Appliance</i> | 11 |
| <i>Energy Saving Tips</i> | 11 |
| Troubleshooting Guide | 12 - 13 |
| Limited Warranty | 15 |



IMPORTANT SAFEGUARDS

Before the refrigerator/freezer is used, it must be properly positioned and installed as described in this manual, so read the manual carefully. To reduce the risk of fire, electrical shock or injury when using this appliance, follow basic precautions, including the following:



- Plug into a grounded 3-prong outlet, do not remove grounding prong, do not use an adaptor and do not use an extension cord.
- It is recommended that a separate circuit, serving only your refrigerator, be provided. Use receptacles that cannot be turned off by a switch or pull chain.
- Never clean refrigerator parts with flammable fluids. These fumes can create a fire hazard or explosion. Also, do not store or use gasoline or other flammable vapors and liquids in the vicinity of this or any other appliance. The fumes can create a fire hazard or explosion.
- Before proceeding with cleaning and maintenance operations, unplug the refrigerator or disconnect power. Failure to do so can result in electrical shock or death.
- Do not connect or disconnect the electric plug when your hands are wet.
- Do not attempt to repair or replace any part of your refrigerator unless it is specifically recommended in this manual. All other servicing should be referred to a qualified technician.
- **DANGER: Risk of child entrapment!**
Child entrapment and suffocation are not problems of the past. Junked or abandoned appliances are still dangerous, even if they will "just sit in the garage a few days."
 - ✓ Before you throw away your old refrigerator or freezer, take off the doors. Leave the shelves in place so that children may not easily climb inside.
 - ✓ Never allow children to operate, play with or crawl inside the refrigerator.

WARNING

- **This unit is not designed to operate in enclosed spaces. When placing your unit, make sure you allow at least 4” of clearance on all sides.**
- Use two or more people to move and install the refrigerator. Failure to do so can result in back or other injury. When moving the appliance, do not tilt it beyond 45° from the upright position.
- To ensure proper ventilation for your refrigerator, the front of the unit must be completely unobstructed. Choose a well-ventilated area with temperatures above 60°F (16°C) and below 90°F (32°C). This unit must be installed in an area protected from the elements such as wind, rain, water spray or drips.
- The refrigerator should not be located next to ovens, grills or other sources of high heat.
- The refrigerator must be installed with an electrical connection in accordance with state and local codes. A standard electrical supply (115-120V AC only, 60 Hz), properly grounded in accordance with the National Electrical Code and local codes and ordinances is required.
- Do not kink or pinch the power supply cord of the refrigerator.
- The fuse (or circuit breaker) size should be 15 amps.
- It is important for the refrigerator to be leveled in order to work properly. You may need to make several adjustments to level it.
- Do not use solvent-based cleaning agents or abrasives on the interior. These cleaners may damage or discolor the interior.
- This appliance is not intended for use by young children or infirm persons without supervision.
- Do not use this apparatus for other than its intended purpose.

CAUTION: THIS APPLIANCE IS NOT DESIGNED FOR THE STORAGE OF MEDICINE OR OTHER MEDICAL PRODUCTS.

SAVE THESE INSTRUCTIONS

INSTALLATION INSTRUCTIONS

Before Using Your Appliance

1. Remove the exterior and interior packing. To remove any remaining tape or glue, rub the area briskly with your thumb. Tape or glue residue can also be easily removed by rubbing a small amount of liquid dish soap over the adhesive with your fingers. Wipe with warm water and dry.
Do not use sharp instruments, rubbing alcohol, flammable fluid or abrasive cleaners to remove tape or glue. These products can damage the surface of your refrigerator.
2. When moving the appliance, do not tilt it more than 45° from the upright position.
3. Before connecting the appliance to the power source, let it stand upright for approximately 2 hours. This will reduce the possibility of a malfunction in the cooling system from handling during transportation.
4. Clean the interior surfaces with lukewarm water using a soft cloth.

Installing Your Appliance

WARNING: Keep flammable materials and vapors such as gasoline away from the refrigerator.

- Place your appliance on a floor that is strong enough to support it when fully loaded. To level your appliance, adjust the leg at the front of the appliance.
- To ensure proper ventilation for your refrigerator, leave 8" of space on each side, 4" between the back of the unit and the wall, and 12" above the unit.
- If you are installing the refrigerator next to a fixed wall, leave sufficient space on the hinge side to allow for the door to swing open.
- Locate the appliance away from direct sunlight and sources of heat (stove, heater, radiator, etc.). Direct sunlight can affect the refrigerator's coating and heat sources can increase electrical consumption. Extremely cold ambient temperatures may also cause the appliance to perform improperly.
- Avoid locating the appliance in moist areas. Too much moisture in the air will cause frost to form quickly on the evaporator, requiring more frequent defrosting of the appliance.

Electrical Connection

⚡ Warning ⚡

Improper use of the grounded plug can result in the risk of electrical shock. If the power cord is damaged, have it replaced by an authorized service technician.

- This appliance should be properly grounded for your safety. The power cord of this appliance is equipped with a three-prong plug which mates with standard three-prong wall outlets to minimize the possibility of electrical shock.

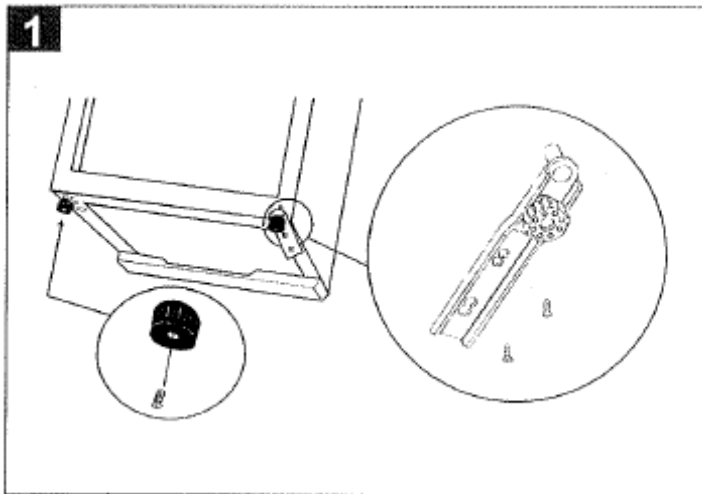
- Do not under any circumstances cut or remove the third ground prong from the power cord supplied.
- Plug the appliance into an exclusive, properly installed grounded wall outlet. Any questions regarding power and/or grounding should be directed toward a certified electrician or an authorized Summit service center.
- It is recommended that a separate circuit serving only this appliance be provided. Use a receptacle that cannot be turned off with a switch or pull chain.
- The use of extension cords is strongly discouraged.
- This appliance requires a standard 115/120-volt, 60 Hz electrical outlet with three-prong ground and a 15-amp fuse. To prevent accidental injury, the power cord should be secured behind the appliance and not left exposed or dangling.

NOTE: Before performing any type of installation, cleaning or removing a light bulb, turn the temperature control to OFF and then disconnect the unit from the electrical power source. When you are finished, reconnect the refrigerator to the power source and reset the temperature control to the desired setting.

Reversing the Door Swing of Your Appliance

This appliance has the capability of opening either from the left or the right side. Should you desire to reverse the opening direction, follow these instructions.

CAUTION: To avoid injury to yourself and/or property, have someone assist you during the door reversal process.



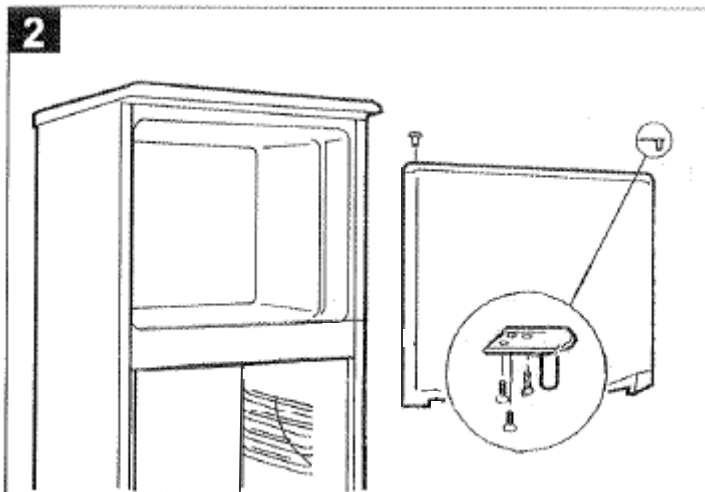
To access the lower hinge assembly, tilt the refrigerator backward. You should rest it on something solid, e.g., a chair, just below the top panel.

DO NOT lay the appliance completely flat as this may damage the coolant system.

Remove both legs located at the front of the cabinet: adjustable leg on hinge side and fixed leg on opposite side.

Remove the screws holding the lower hinge assembly to the cabinet.

Remove the main door assembly from the refrigerator cabinet by opening the door and pulling down.



Remove the screws from the middle hinge assembly. Then remove the hinge and freezer door.

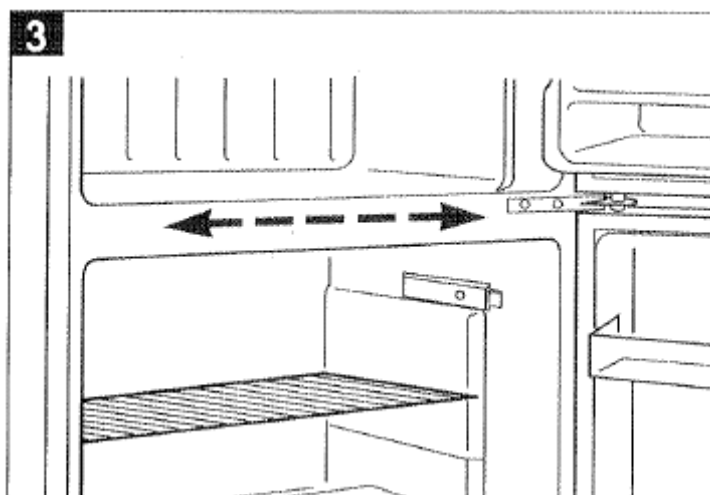
Remove the top hinge.

Re-install the top hinge pin on the opposite side of the cabinet.

Remove the door plugs and door bushing located on the top and bottom of each door assembly.

Interchange positions of plugs and bushings on both doors (i.e., door plug right side, door bushing left side).

Re-install freezer door assembly on cabinet.



Re-install the middle hinge assembly on the opposite side.

Make sure the door assembly is properly aligned on the cabinet before tightening hinge screws.

Re-install the main door assembly on cabinet.

Re-install the lower hinge assembly on the opposite side. Make sure to change

bushing and screw on opposite sides on bottom of unit.

Make sure the door assembly is properly aligned on the cabinet before tightening lower hinge screws.

Re-install both legs (reversed from the original positions: adjustable leg on hinge side and fixed leg on opposite side).

Leveling the Refrigerator:

If the refrigerator is not leveled during installation, the doors may not close or seal properly, causing cooling, frost or moisture problems. The refrigerator must be level in order to function correctly.

To level your appliance, turn the leveling leg clockwise to raise that side of the unit or turn it counter-clockwise to lower that side.

NOTE: Having someone push against the top of the refrigerator will take some weight off the leveling leg, making it easier to make the adjustment.

OPERATING YOUR APPLIANCE

Temperature Control (Thermostat)

There is one control for the refrigerator and freezer and it is located above the top shelf of the refrigerator compartment. When you first install your refrigerator, set the thermostat knob at **3**. Give your refrigerator time to cool down completely before using it. It is best to wait 24 hours before adding food.

The thermostat knob controls the temperature. The higher the number setting, the longer the compressor will run and the colder the resulting temperature.

When the thermostat is set to **OFF**, the refrigerator is not running.

NOTES:

- Turning the temperature control to the **OFF** position stops the cooling cycle but does not shut off the power to the appliance.
- If the unit is unplugged, has lost power, or is turned off, you must wait 3 to 5 minutes before restarting the unit. If you attempt to restart before this time delay, the unit will not start.

Interior Light

When you open the door to the refrigerator compartment, the light will be ON automatically. When you close the door, the light goes OFF automatically.

Fresh Food Storage

Wrap and store food in the refrigerator in airtight and moisture-proof material. This prevents food odor and taste transfer within the refrigerator.

| Type of food | Storage Suggestions |
|-------------------------|--|
| Fruit | Wash, let dry and store in the refrigerator in plastic bags or in the crisper. |
| Leafy vegetables | Remove wrapping and trim or tear off bruised and discolored areas, wash in cold water and drain. Place in plastic bag or plastic container and store in crisper. |
| Fish | Use fresh fish the same day as purchased. |
| Meat | Store most meat in original wrapping as long as it is airtight and moisture-proof. Rewrap if necessary. |
| Leftovers | Cover with plastic wrap or aluminum foil. Plastic containers with tight lids can also be used. |

Frozen Food Storage

The freezer compartment is designed for storing frozen food and for freezing food at home. Successful freezing depends on the correct packaging. When closing the package, eliminate as much moisture as possible. Be sure the seal is tight, otherwise, food odors and taste may transfer throughout the freezer and the frozen food may dry out.

NOTES:

- When preparing foods to be frozen, consider sanitary precautions.
- Carefully select food you intend to freeze; it should be of adequate quality and suitable for freezing.
- Foils and bags should be flexible enough to tightly wrap around the foods.
- Mark packages with the following data: Kind and amount of food and date of loading.
- It is most important that the food be frozen as quickly as possible.
- If the loading amount is too large, the quality of freezing is reduced which in turn affects the quality of the frozen foods.
- Never put bottled food or drinks in the freezer compartment.

- For best results, leave enough space in the refrigerator and freezer compartments for air to circulate around the packages. Also, leave enough room at the front so the doors can close tightly.

Defrosting Your Appliance

Refrigerator compartment: There is no need to defrost the refrigerator compartment, because ice depositing on the inner back wall is defrosted automatically. Ice deposits on the inner back wall during compressor operation; later on, when the compressor is not operating, ice defrosts. Water droplets collect and drain through an outlet in the inner back wall into the drain pan situated above the compressor, where the water evaporates.

Freezer Compartment: Defrosting of the freezer must be done manually. When the thickness of the frost layer in the freezer compartment reaches $\frac{1}{4}$ ", it is time to defrost.

1. Turn the thermostat to the **OFF** position.
2. Remove all foods, ice cube tray and shelf or transfer to refrigerator compartment.
3. Leave the freezer door open for a while so that you can easily scrape off the frost. Use a plastic scraper but be careful not to damage the inner surfaces of the freezer.
4. Wipe up the scraped ice before it is completely defrosted.
5. Close the freezer door. Set the thermostat to its original position.
6. Allow time for the freezer to reach its normal temperature, then reload the food.

CAUTION: Do not use boiling water for defrosting because it may damage the plastic parts. In addition, never use a sharp or metallic instrument to remove frost as it may damage the cooling system and will void the warranty. We recommend using a plastic scraper.

Using Your Ice Cube Tray

1. Fill the ice cube tray two-thirds full with cold water or with any liquid suitable for freezing and place the tray on the floor of the freezer to freeze properly.
2. Be sure the bottom of the tray is dry, otherwise it may stick to the floor of the freezer.
3. The best method of releasing ice cubes from the tray is to hold the tray under cold tap water for a second.
4. To eject ice cubes from the tray, place over an ice bucket and twist slightly.

CARE AND MAINTENANCE

Cleaning Your Refrigerator

The refrigerator should be cleaned at least once a month to prevent odors from building up. Wipe up spills immediately.

To clean your refrigerator:

1. Turn the temperature control to **OFF**, unplug the appliance and remove the food, shelves, crisper, etc.
2. Use a clean sponge or soft cloth to wash the inside with a solution of warm water and baking soda. (Make the solution by adding about 2 tablespoons of baking soda to a quart of water.) Do not use abrasive or harsh cleansers.
3. Hand wash, rinse and dry all surfaces thoroughly.
4. Wash the shelves and trays with a mild detergent solution. Plastic parts cannot be washed in a dishwasher.
5. The outside of the appliance should be cleaned with a solution of mild detergent in warm water.
6. The condenser coils in the back of the unit should be vacuumed when they are dusty or dirty.
7. After cleaning, reconnect the appliance to its power source, reset the thermostat and allow the unit to come to temperature. Reload the food packages.

NOTES: Do not use cleaning waxes, concentrated detergents, bleaches or cleaners containing petroleum on plastics and rubber parts.

Never use paper towels, window sprays, scouring cleansers or flammable fluids on plastic parts as these can scratch or damage material.

Changing the Light Bulb

1. Unplug the refrigerator or disconnect it from the power source before removing the bulb.
2. Replace the bulb with a 15-watt appliance bulb. Be sure to replace the bulb with one of the same size and shape.
3. Reconnect the refrigerator to the power source.

Power Failure

Most power failures are corrected within a few hours and should not affect the temperature of your appliance if you minimize the number of times the doors are opened. If the power will be off for a longer period of time, you need to take the proper steps to protect your food.

Vacation Time

During long absences, remove all the food. Unplug your appliance, clean it and leave the doors open slightly to avoid formation of condensation, mold and odors.

Moving Your Appliance

1. Remove all the food and disconnect the unit from the power source.
2. Securely tape down all loose items inside your appliance.
3. Turn the leveling screw up to the base to avoid damage.
4. Tape the doors shut.
5. Be sure the appliance stays in the upright position during transportation.

Energy Saving Tips

- The appliance should be located in the coolest area of the room, away from heat-producing appliances or heating ducts, and out of direct sunlight.
- Let hot foods cool to room temperature before placing in the appliance. Overloading the appliance forces the compressor to run longer. Foods that freeze too slowly may lose quality or spoil.
- Be sure to wrap foods properly, and wipe containers dry before placing them in the appliance. This cuts down on frost build-up inside the appliance.
- Appliance storage bins and shelves should not be lined with aluminum foil, wax paper or paper toweling. Liners interfere with cold air circulation, making the appliance less efficient.
- Organize and label food to reduce door openings and extended searches. Remove as many items as needed at one time, and close the door as soon as possible.
- Try not to open the doors too often, especially when the weather is wet and hot.
- Every so often, check if the appliance is sufficiently ventilated.
- A layer of ice and frost in the freezer increases energy consumption, so defrost the freezer as soon as the layer is 1/4" thick.

TROUBLESHOOTING GUIDE

You can solve many common refrigerator/freezer problems easily, saving you the cost of a possible service call. Try the suggestions below to see if you can solve the problem before calling a service technician.

| Problem | Possible Cause |
|---|--|
| Appliance does not operate. | Not plugged in. The circuit breaker has tripped or the fuse has blown. |
| Appliance does not cool. | Thermostat is set at OFF . |
| Compressor turns on and off frequently. | Condenser coil at back of the unit is dirty. The room temperature is hotter than normal. A large amount of food has been added to the appliance. The door(s) is open too often. The door(s) is not closed completely. The temperature control is not set correctly. The door gasket does not seal properly. The appliance does not have the correct clearances. (See <i>Installing Your Appliance</i> on page 4.) |
| The light does not work. | The circuit breaker has tripped or the fuse has blown. The appliance is unplugged. The bulb is loose in the socket. The bulb has burned out. (See <i>Care and Maintenance</i> for replacement procedure.) |
| Food in the refrigerator compartment is freezing. | The thermostat knob is set too high. The stored food is set too close to the back wall of the refrigerator. |
| Food in the refrigerator compartment is not cold enough. | The air vents in the compartment are blocked. (This prevents the circulation of cold air.) The door is opened too often or not closed properly. A large amount of food has just been added to the refrigerator or freezer compartment. The thermostat is set too low. |
| Melted frost leaks inside refrigerator compartment or onto the floor. | The drain hole at the back of the compartment is blocked. The evaporator pan above the compressor (at back of appliance) is not in place. |

| | |
|--|--|
| <p>The appliance seems to make too much noise or is vibrating.</p> | <p>A rattling noise may come from the flow of the refrigerant, which is normal. The body of the refrigerator is touching the wall. The evaporator pan is not placed properly. The appliance is not level.</p> |
| <p>There is moisture build-up in the interior.</p> | <p>The air vents in the refrigerator compartment are blocked. The door is opened too often. The room is humid. The food is not packaged correctly. The thermostat is not set correctly for the surrounding conditions.</p> |
| <p>The door will not close properly.</p> | <p>The appliance is not level. Food packages are blocking the door. The shelves or bins are out of position. The doors were reversed and not properly installed. The gasket is dirty.</p> |

If your appliance shows other symptoms than those described above, or if you have checked all items listed as the cause and the problem still exists, then call SUMMIT® Customer Service at

1-800-932-4267



NOTES



LIMITED WARRANTY

ONE-YEAR LIMITED WARRANTY

Within the 48 contiguous United States, for one year from the date of purchase, when this appliance is operated and maintained according to instructions attached to or furnished with the product, warrantor will pay for factory-specified parts and repair labor to correct defects in materials or workmanship. Service must be provided by a designated service company. Outside the 48 states, all parts are warranted for one year from manufacturing defects. Plastic parts, shelves and cabinets are warranted to be manufactured to commercially acceptable standards, and are not covered from damage during handling or breakage.

5-YEAR COMPRESSOR WARRANTY

1. The compressor is covered for 5 years.
2. Replacement does not include labor.

ITEMS WARRANTOR WILL NOT PAY FOR:

1. Service calls to correct the installation of your appliance, to instruct you how to use your appliance, to replace or repair fuses or to correct wiring or plumbing.
2. Service calls to repair or replace appliance light bulbs or broken shelves. Consumable parts (such as filters) are excluded from warranty coverage.
3. Damage resulting from accident, alteration, misuse, abuse, fire, flood, acts of God, improper installation, installation not in accordance with electrical or plumbing codes, or use of products not approved by warrantor.
4. Replacement parts or repair labor costs for units operated outside the United States.
5. Repairs to parts or systems resulting from unauthorized modifications made to the appliance.
6. Expenses for travel and transportation for product service in remote locations.
7. The removal and reinstallation of your appliance if it is installed in an inaccessible location or is not installed in accordance with published installation instructions.

DISCLAIMER OF IMPLIED WARRANTIES – LIMITATION OF REMEDIES

CUSTOMER'S SOLE AND EXCLUSIVE REMEDY UNDER THIS LIMITED WARRANTY SHALL BE PRODUCT REPAIR AS PROVIDED HEREIN. IMPLIED WARRANTIES, INCLUDING WARRANTIES OF MERCHANTABILITY OR FITNESS FOR A PARTICULAR PURPOSE, ARE LIMITED TO ONE YEAR. WARRANTOR SHALL NOT BE LIABLE FOR INCIDENTAL OR CONSEQUENTIAL DAMAGES. SOME STATES DO NOT ALLOW THE EXCLUSION OR LIMITATION OF INCIDENTAL OR CONSEQUENTIAL DAMAGES, OR LIMITATIONS ON THE DURATION OF IMPLIED WARRANTIES OF MERCHANTABILITY OR FITNESS, SO THESE EXCLUSIONS OR LIMITATIONS MAY NOT APPLY TO YOU. THIS WARRANTY GIVES YOU SPECIFIC LEGAL RIGHTS AND YOU MAY ALSO HAVE OTHER RIGHTS, WHICH VARY FROM STATE TO STATE.

WARNING! This product may contain chemicals known to the state of California to cause cancer or birth defects or other reproductive harm. For more information, visit: www.summitappliance.com/prop65

Chemicals known by the manufacturer to be present in this product in concentrations higher than threshold limits: NONE.

FELIX STORCH, INC.
770 Garrison Avenue
Bronx, NY 10474
Phone: (718) 893-3900
Fax: (718) 842-3093
www.summitappliance.com

The logo for Summit Appliance, featuring the word "SUMMIT" in a bold, blocky, sans-serif font. The letters are black with a white outline, and the "S" and "M" are particularly large and prominent.

For parts and accessory ordering,
troubleshooting and helpful hints, visit:
www.summitappliance.com/support