



# 1. TITLE PAGE

---

## 1.1 INTRODUCTION:

**USER GUIDE FOR: Engine Timing Kit**

**Stock No: 27021**

**Part No: ETK218**

## 1.2 REVISIONS:

---

**Date first published June 2018.**

---

---

---

---

As our user manuals are continually updated, users should make sure that they use the very latest version.

**Downloads are available from:** <http://drapertools.com>

Draper Tools Limited  
Hursley Road  
Chandler's Ford  
Eastleigh  
Hampshire  
SO53 1YF  
UK

**Website:** [drapertools.com](http://drapertools.com)

**Product Helpline:** +44 (0) 23 8049 4344

**General Fax:** +44 (0) 23 8026 0784

## 1.3 UNDERSTANDING THIS GUIDES SAFETY CONTENT:

**WARNING!** – Information that draws attention to the risk of injury or death.

**CAUTION!** – Information that draws attention to the risk of damage to the product or surroundings.

## 1.4 COPYRIGHT © NOTICE:

Copyright © Draper Tools Limited.

Permission is granted to reproduce this publication for personal and educational use only. Commercial copying, redistribution, hiring or lending is prohibited.

No part of this publication may be stored in a retrieval system or transmitted in any other form or means without written permission from Draper Tools Limited.

In all cases this copyright notice must remain intact.

## 2. CONTENTS

---

<b>1. TITLE PAGE</b>	
1.1 INTRODUCTION .....	2
1.2 REVISION HISTORY .....	2
1.3 UNDERSTANDING THIS GUIDE.....	2
1.4 COPYRIGHT NOTICE .....	2
<b>2. CONTENTS</b>	
2.1 CONTENTS .....	3
<b>3. GUARANTEE</b>	
3.1 GUARANTEE .....	4
<b>4. GENERAL PRODUCT INFORMATION</b>	
4.1 GENERAL PRODUCT INFORMATION .....	5
<b>5. HEALTH AND SAFETY INFORMATION</b>	
5.1 GENERAL SAFETY INSTRUCTIONS FOR USE	
<b>Personal safety</b> .....	6
<b>6. CONTENTS</b>	
6.1 PARTS DRAWING AND LISTING .....	7
<b>7. APPLICATION</b>	
7.1 PRODUCT APPLICATION AND COMPATIBILITY LISTING .....	8
<b>8. PREPARATION</b>	
8.1 ADVISORIES BEFORE USE .....	9
<b>9. PROCEDURE AND APPLICATION GUIDE</b>	
9.1 APPLICATION GUIDANCE .....	10
<b>10. EXPLANATION OF SYMBOLS</b>	
10.1 EXPLANATION OF SYMBOLS .....	11

## 3. GUARANTEE

---

### 3.1 GUARANTEE

Draper tools have been carefully tested and inspected before shipment and are guaranteed to be free from defective materials and workmanship.

Should the tool develop a fault, please return the complete tool to your nearest distributor or contact:

**Draper Tools Limited, Chandler's Ford, Eastleigh, Hampshire, SO53 1YF. England.**

**Telephone Sales Desk: (023) 8049 4333** or:

**Product Helpline (023) 8049 4344.**

A proof of purchase must be provided.

If upon inspection it is found that the fault occurring is due to defective materials or workmanship, repairs will be carried out free of charge. This guarantee period covering parts/labour is 12 months from the date of purchase except where tools are hired out when the guarantee period is 90 days from the date of purchase. This guarantee does not apply to normal wear and tear, nor does it cover any damage caused by misuse, careless or unsafe handling, alterations, accidents, or repairs attempted or made by any personnel other than the authorised Draper warranty repair agent.

Note: If the tool is found not to be within the terms of warranty, repairs and carriage charges will be quoted and made accordingly.

This guarantee applies in lieu of any other guarantee expressed or implied and variations of its terms are not authorised.

Your Draper guarantee is not effective unless you can produce upon request a dated receipt or invoice to verify your proof of purchase within the guarantee period.

Please note that this guarantee is an additional benefit and does not affect your statutory rights.

**Draper Tools Limited.**

## 4. GENERAL PRODUCT INFORMATION

---

This product is designed to be used correctly and with care for the purpose for which it is intended. No liability is accepted by Draper Tools Limited for incorrect use or application of any of our products, and Draper Tools Limited cannot be held responsible for any damage to personnel, property or equipment when using this product. Incorrect use will also invalidate any warranty.

The applications database and any instructional information provided has been designed to offer general guidance for a particular product's use and while all attention is given to the accuracy of the data, no project should be attempted without referring first to the manufacturer's technical documentation (workshop or instruction manual) or the use of a recognised authority such as Autodata.

It is our policy to continually improve our products and thus we reserve the right to alter specifications and components without prior notice. It is the responsibility of the user to ensure the suitability of the product and information prior to use.

## 5. HEALTH AND SAFETY INFORMATION

---

### GENERAL SAFETY INSTRUCTIONS

**Warning:** Please read all safety warnings and all details carefully. Failure to follow the warnings may result in serious injury or major component damage.

**Important:** Draper Tools recommends that this product should not be modified or used for any application other than that for which it was designed.

**Save all warnings and instructions for future reference.**

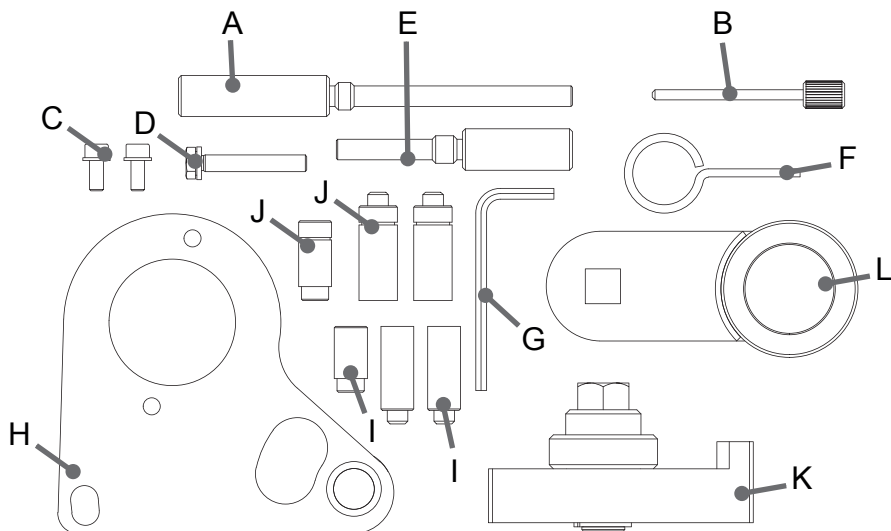
#### 1) Personal safety

- a) Stay alert, watch what you are doing and use common sense when using this product. Do not use this product while you are tired or under the influence of drugs, alcohol or any medication. A moment of inattention while using this product may result in serious personal injury.
- b) Use personal protective equipment as necessary.
- c) Check and remove any part of the product before turning/testing the engine. A part left attached to a rotating part of the engine may result in personal injury or major component damage.
- d) Carefully clean the tool components after every use.
- f) Keep the tool components safe and tidy.
- g) Do not use this product for any purpose other than for which it is designed.

**Warning!** Some of the packaging materials used may be harmful to children. Do not leave any of these materials in the reach of children.

If any of the packaging is to be thrown away, make sure it is disposed of correctly; according to local regulations.

## 6. CONTENTS



ITEM	DESCRIPTION	OEM	STOCK No.
A	Crankshaft Locking Pin	EN48330 MOT 1766	35349
B	Auxiliary Belt Tensioner Pin	KM 6130	35361
C	2x M5 x 12 Cap Screw	N/A	35375
D	M6 x 40 Hex-Head Bolt	N/A	35376
E	Crankshaft Timing Pin	MOT 1970	35468
F	Chain Tensioner Locking Pin	N/A	35513
G	4mm Hex Key	N/A	35522
H	Camshaft Alignment Tool (For G or I)	MOT 1769 MOT 1969 (1,6L) EN48332	35525
I	Pins For 2.0L/2.3L Engines (MR9/M9T)	MOT 1769	35526
J	Pins For 1.6L Engines (R9M)	MOT 1969	35527
K	Camshaft Split Gear Alignment Tool	MOT 1773 EN48331	35528
L	Crankshaft Pulley Holding Tool	EN-48334 KM956-1 MOT 1770	35529

## 7. APPLICATION

The **27021** has been developed as an **engine timing kit** for the vehicles listed below. Allows the user to lock the crankshaft and cam pulleys in the 'timed' position to allow the removal and replacement of the camshaft timing chain. Kit also includes the camshaft gear alignment tool.

### Used on the following Vehicles:

Renault Espace IV 2006 - 2015	Nissan NV400 2011 - 2017
Renault Espace V 2015 - 2017	Nissan Primastar 2006 - 2015
Renault Fluence 2013 - 2015	Nissan Qashqai 2014 - 201
Renault Grand Espace IV 2006 - 2015	Nissan Qashqai/+2 2007 - 2014
Renault Grand Scenic II 2006 - 2009	Nissan X-Trail 2007 - 2017
Renault Grand Scenic III 2009 - 2015	Vauxhall Movano-B 2010 - 2016
Renault Koleos 2008 - 2015	Vauxhall Vivaro-A 2006 - 2014
Renault Laguna II 2005 - 2007	Vauxhall Vivaro-B 2014 - 2016
Renault Laguna III 2007 - 2015	Mercedes-Benz C-Class 2014 - 2015
Renault Latitude 2010 - 2016	Mercedes-Benz C-Class 2014 - 2015
Renault Master III 2010 - 2017	
Renault Megane II 2006 - 2010	
Renault Megane III 2009 - 2015	
Renault Megane III 2012 - 2016	
Renault Megane IV 2006 - 2017	
Renault Scenic II 2006 - 2009	
Renault Scenic III 2009 - 2015	
Renault Scenic/Grand Scenic IV 2016 - 2017	
Renault Talisman 2015 - 2017	
Renault Trafic II 2006 - 2015	
Renault Trafic III 2014 - 2017	
Renault Vel Satis 2005 - 2010	

### Engine Codes:

#### 1.6cc

626.951, LWU/R9M, LWX/R9M, LWY/R9M, LWZ/R9M, R9M, R9M 402, R9M 404, R9M 408, R9M 409, R9M 410, R9M 413, R9M 450, R9M 452

#### 2.0cc

M9R, M9R 610, M9R 613, M9R 615, M9R 630, M9R 692, M9R 700, M9R 721, M9R 722, M9R 724, M9R 740, M9R 742, M9R 744, M9R 746, M9R 748, M9R 754, M9R 756, M9R 760, M9R 761, M9R 762, M9R 763, M9R 780, M9R 782, M9R 784, M9R 786, M9R 788, M9R 800, M9R 802, M9R 803, M9R 804, M9R 805, M9R 806, M9R 808, M9R 809, M9R 811, M9R 812, M9R 814, M9R 815, M9R 816, M9R 817, M9R 820, M9R 824, M9R 828, M9R 830, M9R 832, M9R 833, M9R 834, M9R 835, M9R 836, M9R 838, M9R 839, M9R 844, M9R 845, M9R 846, M9R 849, M9R 854, M9R 855, M9R 856, M9R 857, M9R 858, M9R 859, M9R 865, M9R 866

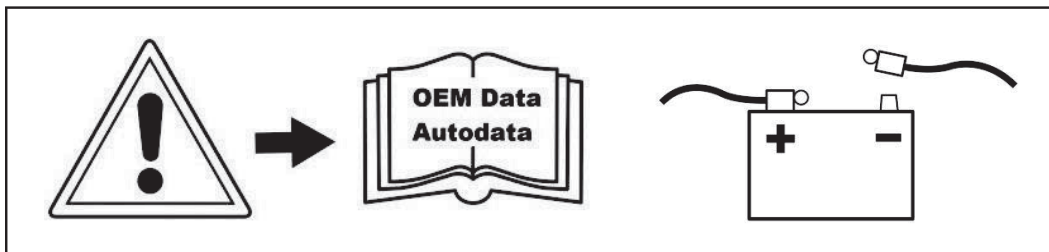
#### 2.3cc

L0B/M9T, L0C/M9T, L2U/M9T, LOD/M9T, LP6/M9T, LW7/M9T, LWJ/M9T, LWK/M9T, LWL/M9T, M9T 670, M9T 672, M9T 676, M9T 678, M9T 680, M9T 686, M9T 690, M9T 692, M9T 694, M9T 696, M9T 698, M9T 700, M9T 702, M9T 706, M9T 708, M9T 870, M9T 880, M9T 890, M9T 896, M9T 898

## 8. PREPARATION

---

The following is for guidance only. Please refer to OEM derived data such as the vehicle manufacturer's own data or Autodata. The use of this product is purely down to the user's discretion and Draper Tools Limited cannot be held responsible for any damage caused what so ever.

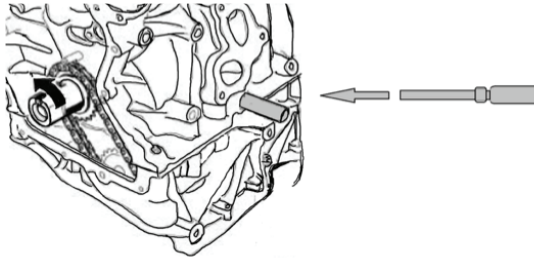


# 9. PROCEDURE AND APPLICATION GUIDE

Depending on manufacture and model, some engine components do change. Please check with Autodata or the manufacturer's data before use.

## Crankshaft Locking PIN (1&9)

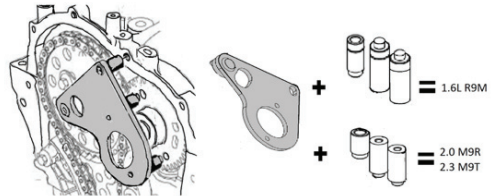
Use pin 1 to align the crankshaft on the 2.0L and 2.3L engines. Use pin 9 to align the crankshaft on the 1.6L engines



## Components 2/8/10 & 11: Camshaft Alignment Tool

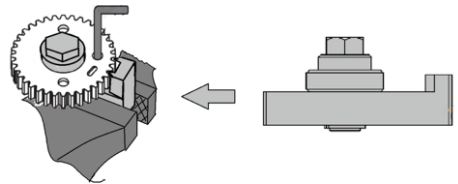
Use components 10 and 2 for the 1.6L R9M engines and use to align the camshafts.

For M9R and M9T use components 11 with component 2.



## Components 5&7: Inlet Camshaft Gear Alignment Tool

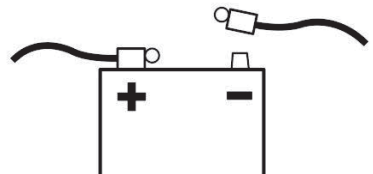
Use components 5 and 7 to align the gear teeth of the inlet cam gear prior to fitting to the engine. Use 5 mounted in a vice and push the gear into mesh with the teeth on 5. When the teeth are aligned fit component 7 into alignment hole as shown.



## Component 4 - Crankshaft Pulley Holding Tool

Used with a suitable 1/2 drive ratchet or bar to hold the crank pulley still whilst loosening or tightening the pulley fixing.

**Please note images are for guidance only and subject to change.**



# 10. EXPLANATION OF SYMBOLS

---

## 10.1 EXPLANATION OF SYMBOLS



Read the guide.



Refer to website.

## CONTACTS

Draper Tools Limited, Hursley Road,  
Chandler's Ford, Eastleigh, Hampshire. SO53 1YF. U.K.

Helpline: (023) 8049 4344

Sales Desk: (023) 8049 4333

Internet: [drapertools.com](http://drapertools.com)

E-mail: [sales@drapertools.com](mailto:sales@drapertools.com)

General Enquiries: (023) 8026 6355

Service/Warranty Repair Agent:

For aftersales servicing or warranty repairs, please contact the  
Draper Tools Helpline for details of an agent in your local area.

YOUR DRAPER STOCKIST

CMDB0618

©Published by Draper Tools Limited.

No part of this publication may be reproduced, stored in a retrieval system or transmitted in any form or by any means, electronic, mechanical photocopying, recording or otherwise without prior permission in writing from Draper Tools Ltd.