

BUILT-IN OVEN

60 cm

Gas and electric

Gas e elettrico

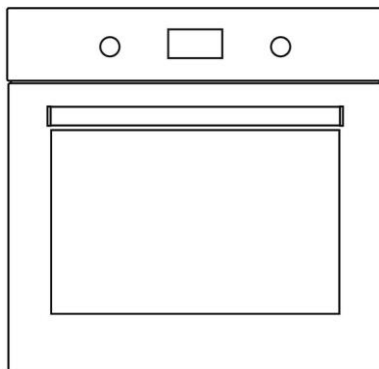
Gas y seguridad

Gás e elétrico

Gazowy i elektryczny

Plyn a elektřina

الغاز والكهرباء



USER MANUAL **GB**

MANUALE UTENTE **IT**

MANUAL DE INSTRUCCIONES **ES**

MANUAL DO UTILIZADOR **PO**

INSTRUKCJA OBSLUGI **PL**

NAVOD K POUZITI **CZ**

دليل المستخدم **AR**

Dear Customer,

Thank you for relying on this product. We aim to allow you to optimally and efficiently use this environment-friendly product produced in our modern facilities under precise conditions with respect to sense of quality in total.

We advise you to read these operating manual thoroughly before using the oven and keep it permanently so that the features of the built-in oven you have purchased will stay the same as the first day for a long time.

Note: This operating manual is prepared for multiple models. Your appliance may not feature some functions specified in the manual.

The product images are schematic.

This product has been produced in modern environment-friendly facilities without adversely affecting nature.

Products marked with (*) are optional.


“Complies with WEEE Regulation”

Contents

Important warnings.....	4
Electrical connection.....	14
Gas connection.....	15
Introducing the appliance.....	19
Accessories.....	20
Technical specifications.....	21
Installation of appliance.....	21
Control panel.....	27
Using the oven.....	29
Using the grill.....	30
Using the grill deflector sheet.....	30
Lighting the oven manuell.....	31
Using the chicken roasting.....	31
Program types.....	32
Cooking recommendations.....	32
Cooking table.....	33
Maintenance and cleaning.....	34
Cleaning oven glass.....	34
Cleaning and mounting oven door.....	35
Catalytic panel.....	36
Rack positions.....	36
Replacing oven lamp.....	37
Troubleshooting.....	38
Handling rules.....	40
Recommendations for energy saving.....	40
Environmentally-friendly disposal.....	41
Package information.....	41

IMPORTANT WARNINGS

1. Installation and repair should always be performed by **“AUTHORIZED SERVICE”**. Manufacturer shall not be held responsible for operations performed by unauthorized persons.
2. Please read this operating instructions carefully. Only by this way you can use the appliance safely and in a correct manner.
3. The oven should be used according to operating instructions.
4. Keep children below the age of 8 and pets away when operating.
5. The accessible parts may be hot during use. Young children must be kept away.
6. **WARNING: Danger of fire: do not store items on the cooking surfaces.**
7. **WARNING: During use the appliance becomes hot. Care should be taken to avoid touching heating elements inside the oven.**
8. Setting conditions of this device are specified on the label. (Or on the data plate)
9. The accessible parts may be hot when the grill is used. Small children should be kept away.
10. **WARNING: This appliance is intended for cooking. It should not be used for other purposes like heating a room.**
11. To clean the appliance, do not use steam cleaners.



12. Ensure that the oven door is completely closed after putting food inside the oven.

13. NEVER try to put out the fire with water. Only shut down the device circuit and then cover the flame with a cover or a fire blanket.

14. WARNING: Children less than 8 years of age shall be kept away unless continuously supervised.

15. Touching the heating elements should be avoided.

16. CAUTION: Cooking process shall be supervised. Cooking process shall always be supervised.

17. This appliance can be used by children aged from 8 years and above and persons with reduced physical, sensory or mental capabilities or lack of experience and knowledge if they have been given supervision or instruction concerning use of the appliance in a safe way and understand the hazards involved. Children shall not play with the appliance. Cleaning and user maintenance shall not be made by children without supervision.

18. This device has been designed for household use only.

19. Children must not play with the appliance. Cleaning or user maintenance of the appliance shall not be performed by children unless they are older than 8 years and supervised by adults.

20. Keep the appliance and its power cord away from children less than 8 years old.

21. Put curtains, tulle, paper or any flammable (ignitable) material away from the appliance before starting to use the appliance. Do not put ignitable or flammable materials on or in the appliance.

22. Keep the ventilation channels open.

23. The appliance is not suitable for use with an external timer or a separate remote control system.

24. Do not heat closed cans and glass jars. The pressure may lead jars to explode.

25. Oven handle is not a towel drier. Do not hang towels, etc. on the oven handle.

26. Do not place the oven trays, plates or aluminium foils directly on the oven base. The accumulated heat may damage the base of the oven.

27. While placing food to or removing food from the oven, etc., always use heat resistant oven gloves.

28. Do not use the product in states like medicated and/or under influence of alcohol which may affect your ability of judgement.

29. Be careful when using alcohol in your foods. Alcohol will evaporate at high temperatures and may catch fire to cause a fire if it comes in contact with hot surfaces.

30. After each use, check if the unit is turned off.

31. If the appliance is faulty or has a visible damage, do not operate the appliance.

32. Do not touch the plug with wet hands. Do not pull the cord to plug off, always hold the plug.

33. Do not use the appliance with its front door glass removed or broken.

34. Place the baking paper together with the food into a pre-heated oven by putting it inside a cooker or on an oven accessory. (tray, wire grill etc.)

35. Do not put objects that children may reach on the appliance.

36. It is important to place the wire grill and tray properly on the wire racks and/or correctly place the tray on the rack. Place the grill or tray between two rails and make sure it is balanced before putting food on it.

37. Against the risk of touching the oven heater elements, remove excess parts of the baking paper that hang over from the accessory or container.

38. Never use it at higher oven temperatures than the maximum usage temperature indicated on your baking paper. Do not place the baking paper on the base of the oven. Against the risk of touching the oven heater elements, remove excess parts of the baking paper that hang over from the accessory or container.

39. When the door is open, do not place any heavy object on the door or allow children to sit on it. You may cause the oven to overturn or the door hinges to be damaged.

40. The packaging materials are dangerous for children. Keep packaging materials away from the reach of children.

41. Do not use abrasive cleaners or sharp metal scrapers to clean the glass as the scratches that may occur on the surface of the door glass may cause the glass to break.

42. User should not handle the oven by himself.

43. During usage, the internal and external surfaces of the oven get hot. As you open the oven door, step back to avoid the hot vapour coming out from the interior. There is risk of burning.

44. Do not place heavy objects when oven door is open, risk of toppling.

45. Oven supply can be disconnected during any construction work at home. After completing the work, re-connecting the oven shall be done by authorized service.

46. User should not dislocate the resistance during cleaning. It may cause an electric shock.

47. To prevent overheating, the appliance should not be installed behind of a decorative cover.

48. Turn off the appliance before removing the safeguards. After cleaning, install the safeguards according to instructions.

49. Cable fixing point shall be protected.

Electrical Safety

1. Plug the appliance in a grounded socket protected by a fuse conforming to the values specified in the technical specifications chart.
2. Have an authorized electrician set grounding equipment. Our company shall not be responsible for the damages that shall be incurred due to using the product without grounding according to local regulations.
3. The circuit breaker switches of the oven shall be placed so that end user can reach them when the oven is installed.
4. The power supply cord (the cord with plug) shall not contact the hot parts of the appliance.
5. If the power supply cord (the cord with plug) is damaged, this cord shall be replaced by the manufacturer or its service agent or an equally qualified personnel to prevent a hazardous situation.
6. Never wash the appliance by spraying or pouring water on it. There is a risk of electrocution.
7. **WARNING: To avoid electric shock, ensure that the device circuit is open before changing the lamp.**
8. **WARNING: Cut off all supply circuit connections before accessing the terminals.**
9. Do not use cut or damaged cords or extension cords other than the original cord.
10. Make sure that there is no liquid or humidity in the outlet where the product plug is installed.

11. The rear surface of the oven also heats up when the oven is operated. Electrical connections shall not touch the rear surface, otherwise the connections may be damaged.

12. Do not tighten the connecting cables to the oven door and do not run them over hot surfaces. If the cord melts, this may cause the oven to short circuit and even a fire.

13. Unplug the unit during installation, maintenance, cleaning and repair.

14. If the power supply cable is damaged, it must be replaced by its manufacturer or authorized technical service or any other personnel qualified at the same level, in order to avoid any dangerous situation.

15. Make sure the plug is inserted firmly into wall socket to avoid sparks.

16. Do not use steam cleaners for cleaning the appliance, otherwise electric shock may occur.

17. An omnipolar switch capable to disconnect power supply is required for installation. Disconnection from power supply shall be provided with a switch or an integrated fuse installed on fixed power supply according to building code.

18. Appliance is equipped with a **type "Y"** cord cable.

19. Fixed connections shall be connected to a power supply enabling omnipolar disconnection. For appliances with over voltage category below III, disconnection device shall be connected to fixed power supply according to wiring code.

Gas Safety

1. This appliance is not connected to burning products evacuation apparatus. This appliance must be connected and installed according to the installation regulations in force. Conditions regarding ventilation must be considered.

2. When a gas cooking appliance is used; humidity, heat and burning products are generated in the room. First of all, make sure the kitchen is well ventilated when operating the appliance and maintain natural ventilation openings or install a mechanical ventilation equipment.

3. After using the appliance heavily for an extended period of time, additional ventilation may be required. For example open a window or adjust a higher speed for mechanical ventilation, if any.

4. This appliance must be used only in well ventilated locations in accordance with the regulations in force. Please read the manual before installing or using this product.

5. Before positioning the appliance, make sure local network conditions (gas type and gas pressure) meets appliance requirements.

6. All kinds of operations to be performed on gas installation must be performed by authorized and competent people.

7. This appliance is adjusted for natural gas (NG). If you have to use your product with a different gas type, you have to apply to authorized service for the conversion.

8. For proper operation, hood, gas pipe and clamp should be replaced periodically according to manufacturer recommendations and when required.

9. Gas should burn well in gas products. Well burning gas can be understood from blue flame and continuous burning. If gas does not burn sufficiently, carbon monoxide (CO) can be generated. Carbon monoxide is a colourless, odourless and very toxic gas; even small amounts have lethal effect.

10. Ask your local gas supplies about the phone numbers for emergencies related to gas and the measures to be taken upon gas odour is detected.

What To Do When Gas Odour Is Detected

1. Do not use naked flame, and do not smoke.
2. Do not operate any electrical switch.
(For example: lamp switch or doorbell)
3. Do not use telephone or mobile phone.
4. Open the doors and windows.
5. Close all valves on the appliances that utilize gas and the gas counters.
6. Call fire brigade from a telephone outside the home.
7. Check all hoses and their connections against leaks.
If you still smell gas, leave the house and warn your neighbours.
8. Do not enter into the house until authorities clarify it is safe.



Intended Use

- 1.** This product has been designed for domestic use. Commercial use is not permitted.
- 2.** This appliance may only be used for cooking purposes. It shall not be used for other purposes like heating a room.
- 3.** This appliance shall not be used to heat plates under the grill, drying clothes or towels by hanging them on the handle or for heating purposes.
- 4.** The manufacturer assumes no responsibility for any damage due to misuse or mishandling.
- 5.** Oven part of the unit may be used for thawing, roasting, frying and grilling food.
- 6.** Operational life of the product you have purchased is 10 years. This is the period for which the spare parts required for the operation of this product as defined is provided by the manufacturer.

Electrical Connection

This oven must be installed and connected to its place correctly according to manufacturer instructions and by an authorized service.

Appliance must be installed in an oven enclosure providing high ventilation.

Electrical connections of the appliance must be made only via sockets having earth system furnished in compliance with rules. Contact an authorized electrician if there is no socket complying with the earthed system at where appliance will be placed. Manufacturing company is by no means responsible for damage resulting from connection of non-earthed sockets to appliance.

Plug of your oven must be earthed; ensure that socket for the plug is earthed. Plug must be located in a place that can be accessed after installation.

Your oven has been manufactured as 220-240 V 50/60 Hz. AC power supply compliant and requires a 16 Amp fuse. If your power network is different that these indicated values, refer to an electrician or your authorized service.

When you need to replace the electrical fuse, please ensure that electrical connection is made as follows:

- Phase (to live terminal) brown cable
- Blue cable to neutral terminal
- Yellow-green cable to earth terminal

Oven disconnecting switches must be in an accessible place for final user while oven is in its place.

Power supply cable (plug in cable) mustn't touch hot parts of the appliance.

If supply cord (plug in cable) is damaged, this cord must be replaced by the importer or its service agent or an equally competent personnel to prevent a hazardous situation.

Gas Connection

WARNING: Before starting any work related with gas installation, turn off gas supply. Risk of explosion.

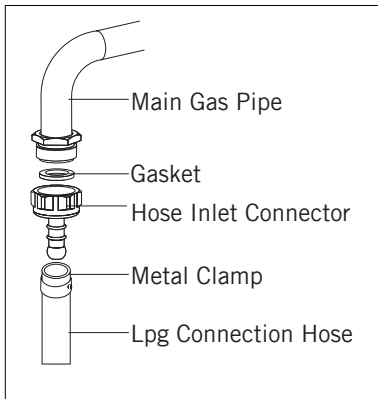
WARNING: Gas hose and electric connection of the appliance should not pass next to hot areas such as back of the appliance. Gas hose should be connected by making wide angle turns against breaking possibility. Movement of appliance whose gas connection is made may cause gas leakage.

WARNING: While making gas leakage control; never use lighter, match, glowing cigarette or similar inflammable matter.

Connect your appliance to gas oven from the shortest way and in a manner to prevent any leakage. For safety, the hose used should be maximum 125 cm and minimum 40 cm.

Apply soap bubble on connection point. If any leak/leakage exists, foaming will occur on soaped region.

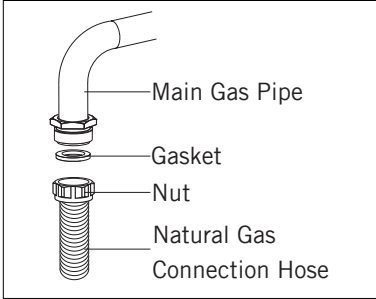
For LPG connection;



For LPG (cylinder) connection, affix metal clamp on the hose coming from LPG cylinder. Affix an edge of the hose on hose inlet connector behind the appliance by pushing to end through heating the hose in boiled water. Afterward, bring the clamp towards end section of the hose and tighten it with screwdriver. The gasket and hose inlet connector required for connection is as the picture shown below.

WARNING: The regulator to be affixed on LPG cylinder should have 300 mmSS feature.

For natural gas connection;



WARNING: Natural gas connection should be done by authorized service.

For natural gas connection, place gasket in the nut at the edge of natural gas connection hose. To install the hose on main gas pipe, turn the nut. Complete the connection by making gas leakage control.

Ventilation Of Room

The air needed for burning is received from room air and the gases emitted are given directly in room. For safe operation of your product, good room ventilation is a precondition. If no window or room to be utilized for room ventilation is available, additional ventilation should be installed. However, room has a door opening outside, it is no needed to vent holes.

Room size	Ventilating opening
Smaller than 5 m ³	min. 100 cm ²
Between 5 m ³ - 10 m ³	min. 50 cm ²
Bigger than 10 m ³	No need
In basement or cellar	min. 65 cm ²

Reduced gas flow rate setting for hob taps

1. Ignite the burner that is to be adjustment and turn the knob to the reduced position.

2. Remove the knob from the gas tap.

3. Use an appropriately sized screwdriver to adjust the flow rate adjustment screw. For LPG (butane-pro pane) turn the screw clockwise. For the naturel gas, you should turn the screw counter- clockwise once.

“The normal length of a straight flame in the reduced position should be 6-7 mm.”

4. If the flame is higher then the desired position, turn the screw clockwise. If it is smaller turn anticlockwise.

5. For the last control, bring the burner both to higt-flame and reduced positions and check whether the flame is on or off.

Depending on the type of gas tap used in your appliance the adjustment screw position may vary.

To adjust your oven acc. to the gas type, make the adjustment for reduced flame carefully by turning with a small screwdriver as shown below on the screw in the middle of the gas cocks as well as nozzle changes (figure 1 and 2)

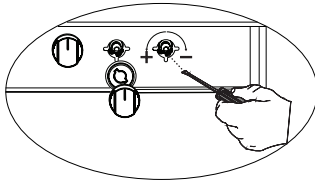


Figure 1

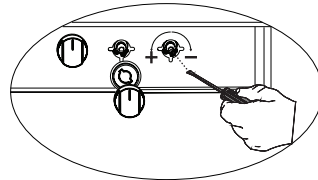


Figure 2

Removal of the lower and upper burner and installation of the injector to the gas oven

Removal of the upper burner:

With the help of a screw driver, remove the screw as shown in figure 3. As shown in figure 4, remove the burner from its place by pulling it to yourself. As shown in figure 5, remove the injector in the bearing with a socket wrench. In order to re-place the burner, apply the removal process reversely.

Figure 3

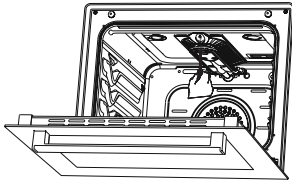


Figure 4

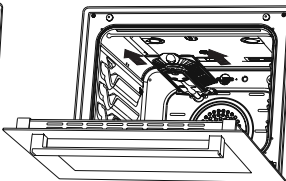
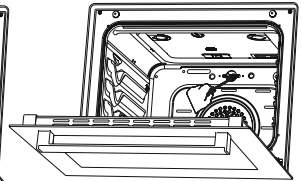


Figure 5



Removal of the lower burner:

The lower burner door has been fixed with two screws. As shown in figure 6, remove it with the help of a screw driver. Remove the door by pulling upwards as shown in figure 7. Remove the burner from its place by pulling it to yourself as shown in figure 8. As shown in figure 9, remove the injector in the bearing with a socket wrench. In order to replace the burner, apply the removal process reversely.

Figure 6

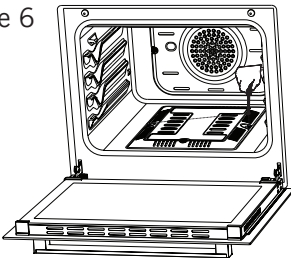


Figure 7

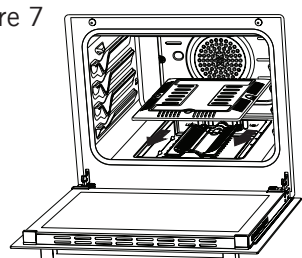


Figure 8

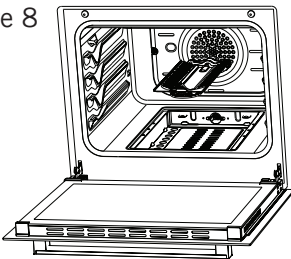
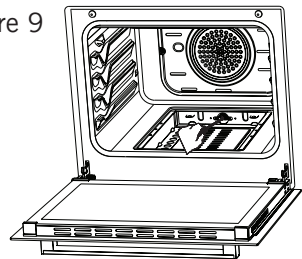
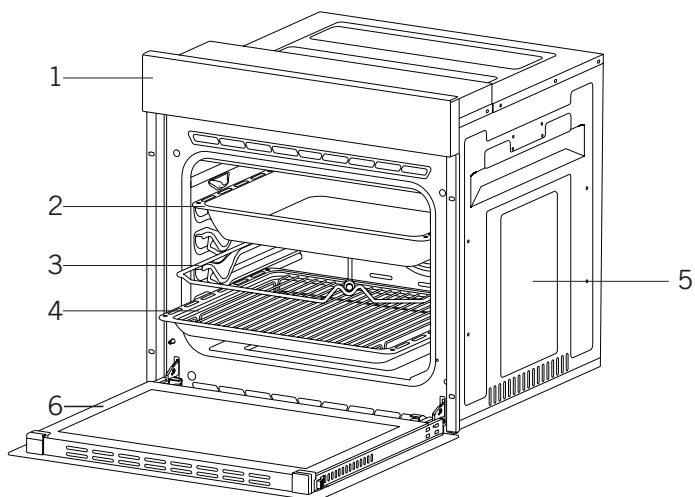


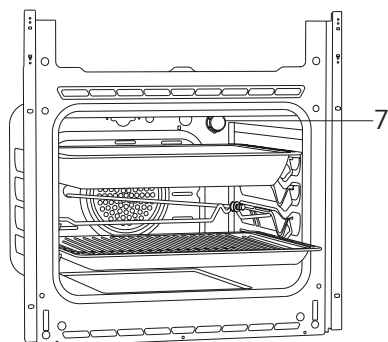
Figure 9



INTRODUCING THE APPLIANCE

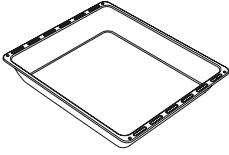


- 1. Control panel
- 2. Deep tray *
- 3. Roast chicken skewer *
- 4. Wire grid
- 5. Lateral wire grids
- 6. Oven door



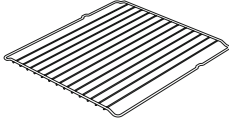
- 7. Lamp

Accessories



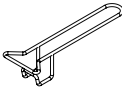
Deep tray *

Used for pastry, big roasts, watery foods. It can also be used as oil collecting container.



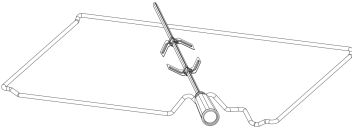
Wire grid

Used for roasting or baking food into the desired rack.



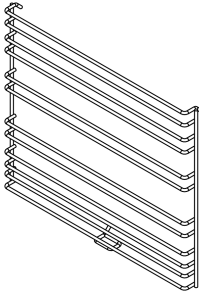
Tray handle *

It is used to hold hot trays.



Roast chicken skewer

The roast chicken skewer is used with the door closed. The heating temperature can be modified as needed. It is best to cook only medium-sized pieces on the roast chicken skewer.



Lateral wire grids

Located on both sides of the oven cavity, holds metal grills and drip pans.

NOTE: Oven trays and grids are not suitable for direct contact with food. Please use suitable cookware or baking paper.

Technical Specifications

Specifications	60 cm Built-in oven
Lamp power	15-25 W
Thermostat	100-250 / Max °C
Grill heater	2000 W
Supply voltage	220-240 V 50/60 Hz.

Burner Specifications	G20,20 mbar G25,25 mbar			G20,25 mbar		G30,28-30 mbar G31,37 mbar		G30,37 mbar		G30,50 mbar	
	Gas natural			Gas natural		LPG		LPG		LPG	
Grill burner	Injector	1,00	mm	0,92	mm	0,70	mm	0,65	mm	0,60	mm
	Gas flow	0,190	m³/h	0,190	m³/h	145	g/h	145	g/h	145	g/h
	Power	2,00	kW	2,00	kW	2,00	kW	2,00	kW	2,00	kW
Oven burner	Injector	1,10	mm	1,00	mm	0,75	mm	0,70	mm	0,65	mm
	Gas flow	0,238	m³/h	0,238	m³/h	182	g/h	182	g/h	182	g/h
	Power	2,50	kW	2,50	kW	2,50	kW	2,50	kW	2,50	kW

WARNING: Diameter values written on the injector are specified without a comma. For example; The diameter of 1,70 mm is specified as 170 on the injector.

Technical specifications can be changed without prior notice to improve product quality.

The values provided with the appliance or its accompanying documents are laboratory readings in accordance with the respective standards. These values may differ depending on the use and ambient conditions.

Figures in this guide are schematic and may not be exactly match your product.

INSTALLATION OF APPLIANCE

Ensure that electrical installation is suitable for operationalising the appliance. If not, call an electrician and plumber to make necessary arrangements. Manufacturing firm can't be hold responsible for damages to arise due to operations by unauthorized people and product warranty becomes void.

WARNING: It is customer's responsibility to prepare the location the product shall be placed on and also have power utility prepared.

WARNING: The rules about electrical local standards must be adhered to during product installation.

WARNING: Check for any damage on the product before installing it. Do not have product installed if it's damaged. Damaged products pose danger for your safety.

Important Warnings for Installation:

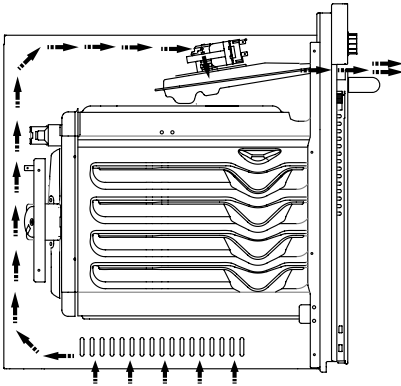


Figure 10

Cooling fan shall take extra steam out and prevent outer surfaces of appliance from overheating during operation of oven. This is a necessary condition for better appliance operation and better cooking. Cooling fan shall continue operation after cooking is finished. Fan shall automatically stop after cooling is completed.

A clearance must be left behind the enclosure where you'll place the appliance for efficient and good operation.

This clearance shouldn't be ignored as it's required for ventilation system of the appliance to operate.

Right Place For Installation

Product has been designed to be mounted to worktops procured from market. A safe distance must be left between the product and kitchen walls or furniture. See the drawing provided on the next page for proper distances. (values in mm).

- Used surfaces, synthetic laminates and adhesives must be heat resistant. (minimum 100 °C).
- Kitchen cupboards must be level with product and secured.
- If there is a drawer below the oven, a rack must be placed between oven and drawer.

WARNING: Do not install the product next to refrigerators or coolers. The heat emitted by the product increases the energy consumption of cooling devices.

WARNING: Do not use door and/or handle to carry or move the product.

60 cm Built-In Oven Installation and Mounting

Place of use for product must be located before starting installation.

Product mustn't be installed in places which are under the effect of strong air flow.

Carry the product with minimum two people. Do not drag the product so that floor isn't damaged.

Remove all transportation materials inside and outside the product. Remove all materials and documents in the product.

Installation Under Counter

Cabin must match the dimensions provided in figure 11.

A clearance must be provided at the rear part of the cabin as indicated in the figure so that necessary ventilation can be achieved.

After mounting, the clearance between lower and upper part of the counter is indicated in figure 14 with "A". It's for ventilation and shouldn't be covered.

Installation In An Elevated Cabinet

Cabin must match the dimensions provided in figure 13.

The clearances with the dimensions indicated in the figure must be provided at the rear part of cabin, upper and lower sections so that necessary ventilation can be achieved.

Installation Requirements

Product dimensions are provided in the figure 12.

Furniture surfaces for mounting and mounting materials to be used must have a minimum temperature resistance of 100 °C.

Mounting cabin must be secured and its floor must be plane for product not to tilt over.

Cabin floor must have a minimum strength that would handle a load of 60 kg.

Placing And Securing The Oven

Place the oven into the cabin with two or more people.

Ensure that oven's frame and front edge of the furniture match uniformly.

Supply cord mustn't be under the oven, squeeze in between oven and furniture or bend.

Fix the oven to the furniture by using the screws provided with the product. Screws must be mounted as shown in figure 14 by passing them through plastics attached to frame of the product. Screws mustn't be overtightened. Otherwise, screw sockets might be worn.

Check that oven doesn't move after mounting. If oven isn't mounted in accordance with instructions, there is a risk of tilt over during operation.

Electrical Connection

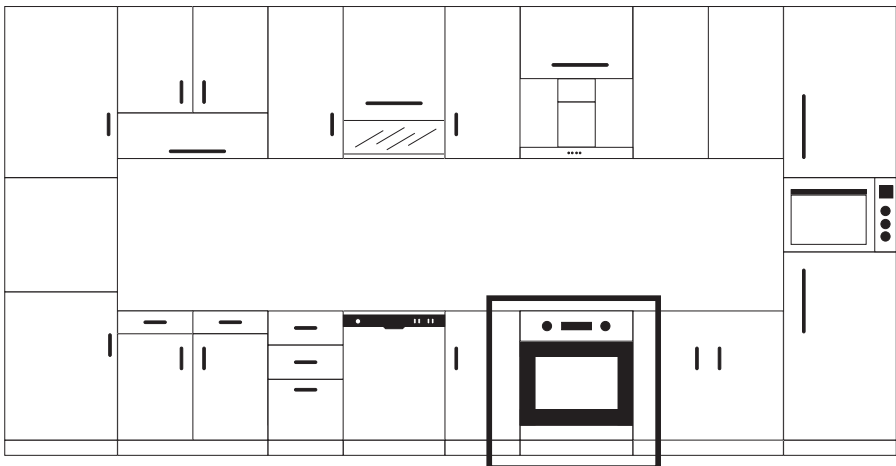
Mounting place of the product must have appropriate electrical installation.

Network voltage must be compatible with the values provided on type label of product.

Product connection must be made in accordance with local and national electrical requirements.

Before starting the mounting disconnect network power. Do not connect the product to network until its mounting is completed.

Mounting



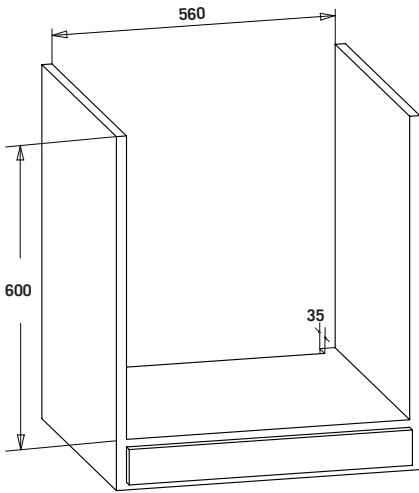


Figure 11

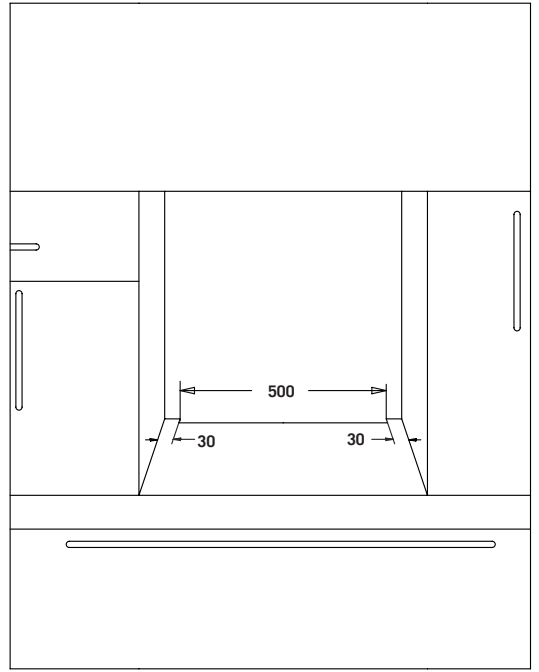
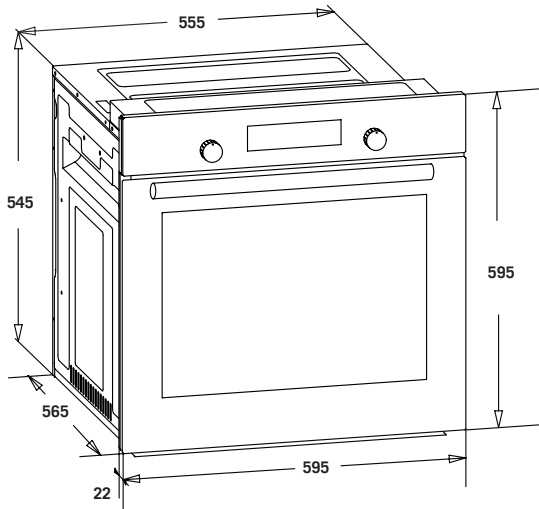


Figure 12



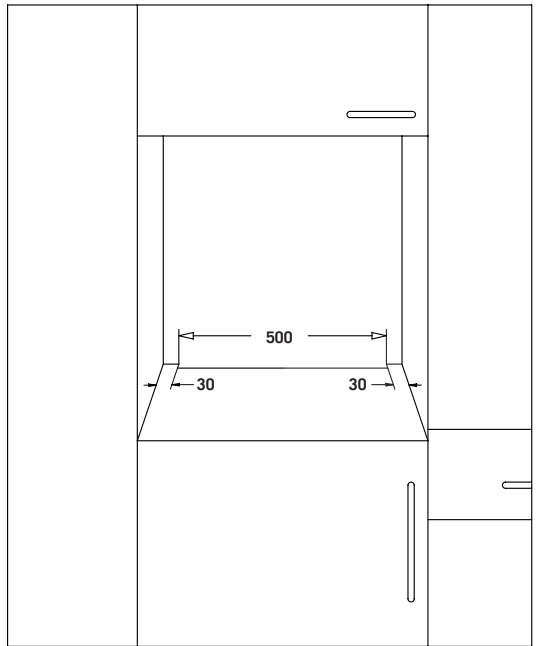
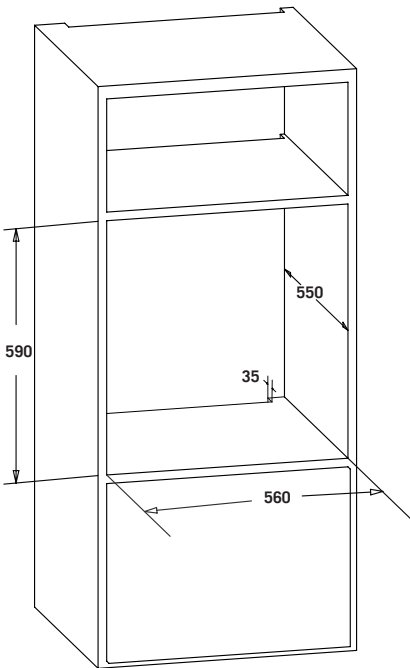
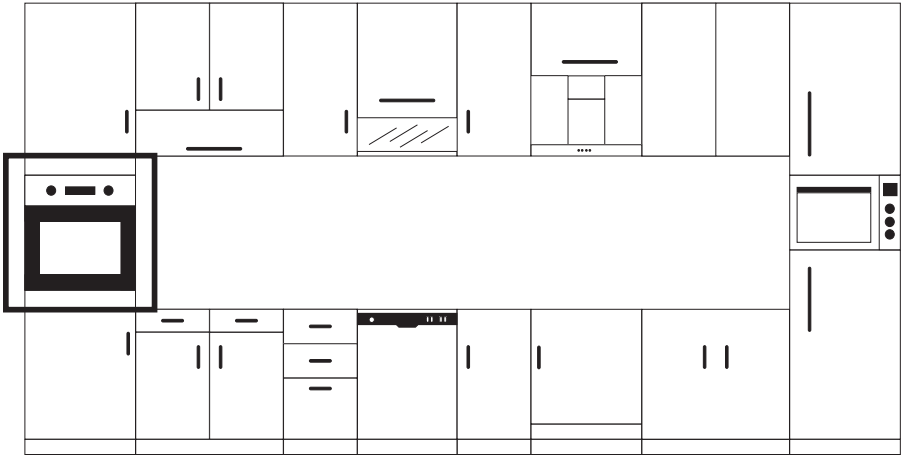


Figure 13

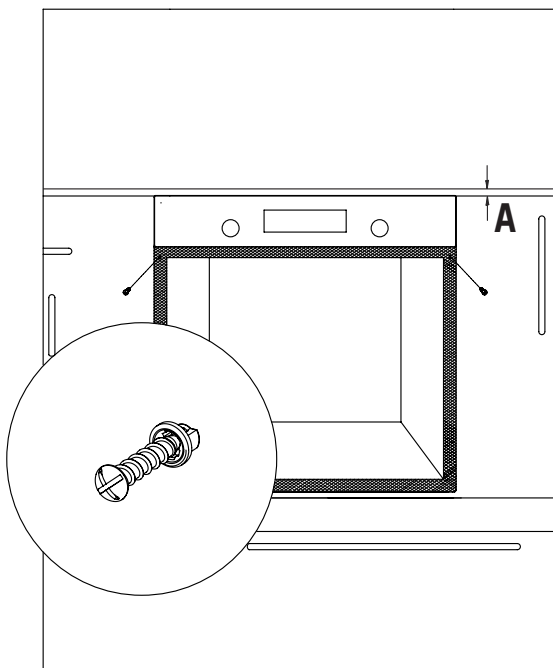
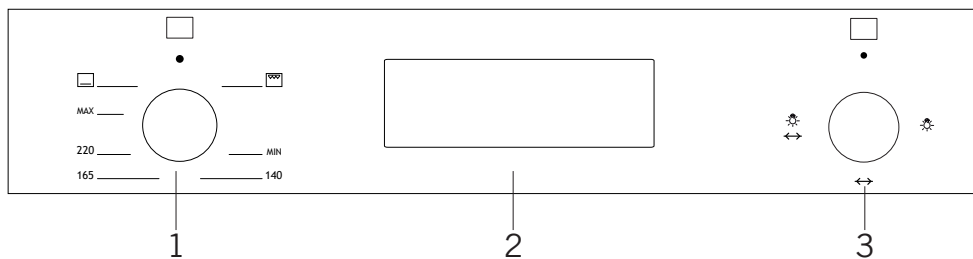


Figure 14

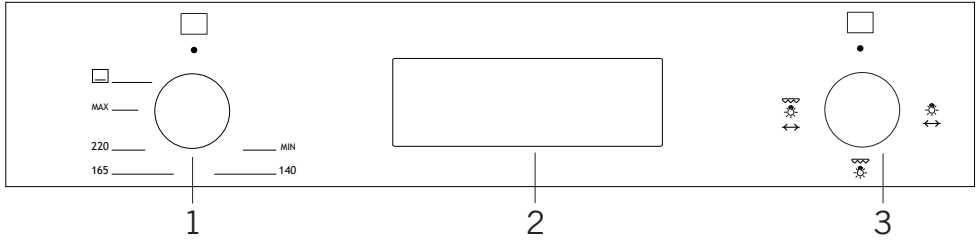
CONTROL PANEL

Built in Gas Oven Control Panel Picture



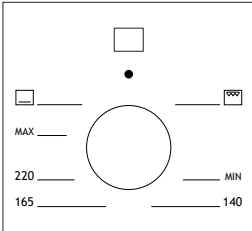
1. Oven control button
2. Mechanical or digital timer
3. Function button

Built in Mix Oven Control Panel Picture

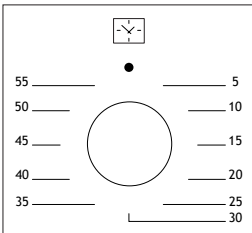


1. Oven control button
2. Mechanical or digital timer
3. Function button

WARNING: The control panel above is only for illustration purposes. Consider the control panel on your device.



Oven Control Button: Provides to control gas oven burners (for thermostatic oven burner and upper burner). Also you can use the ignition under knob function to flame the gas burners.



Mechanical Timer Button *: Helps to set time for the food to be cooked in the oven. See cooking table for cooking times.

USING THE OVEN

Initial Use Of Oven

Here are the things you must do at first use of your oven after making its necessary connections as per instructions:

1. Remove labels or accessories attached inside the oven. If any, take out the protective folio on front side of the appliance.
2. Remove dust and package residues by wiping inside of the oven with a damp cloth. Inside of oven must be empty. Plug the cable of appliance into the electrical socket.
3. Set the thermostat button to the highest temperature (250 Max. °C) and run the oven for 30 minutes with its door closed. Meanwhile a slight smoke and smell might occur and that's a normal situation.
4. Wipe inside of the oven with a slightly warm water with detergent after it becomes cold and then dry with a clean cloth. Now you can use your oven.

Normal Use of Oven

1. This gas oven's top (grill) and bottom burner can only be used one at a time. When you want use your chosen burner, first you press the tap knob and wait 5 seconds to purge air from the pipes. Then you can ignite the burner by automatic ignition system (optional) or match.
2. Once the burner is lit, you must continue to hold the knob in for between 10 to 15 seconds for the flame supervisory system to work.
3. When the burner is lit and fully established after a minute or two, then you can close the oven door.
4. You can set cooking time to any desired time by using the button at models with mechanical timer. Timer will de-energize heaters when time expired and provide warning beep as ringing.
5. Timer turns the heaters off and provides audible signal when cooking time expires in line with the information entered in the models with digital timer.
6. Cooling system of the appliance will continue to operate after cooking is completed. Do not cut the power of appliance in this situation which is required for appliance to cool down. System will shut down after cooling is completed.

Using The Grill

1. When you place the grill on the top rack, the food on the grill shall not touch the grill.
2. You can preheat for 5 minutes while grilling. If necessary, you may turn the food upside down.
3. Food shall be in the center of the grill to provide maximum air flow through the oven.

To turn on the grill;

1. Place the function button over the grill symbol.
2. Then, set it to the desired grill temperature.

To turn the grill off;

Set the function button to the off position.

WARNING: Keep the oven door closed while grilling. (electrical grill)

WARNING: Keep the oven door opened while grilling. (gas grill)

Using The Grill Deflector Sheet *

1. Place the heat shield under the control panel by opening the oven front door. (figure 16)
2. Locate the two mounting tabs on the heat shield into the two slots under the control panel, then secure in place between oven and inner door by gently closing the door. (figure 17)
3. It is important to keep the door open the specified distance when grilling.
4. The heat shield will provide an ideal cooking performance while protecting the control panel and knobs.

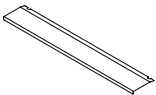


Figure 15

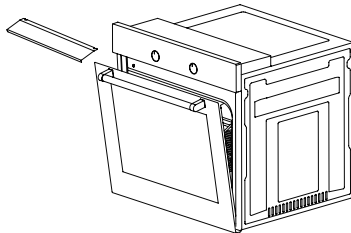


Figure 16

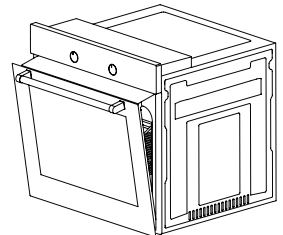


Figure 17

Lighting The Oven Manuall

In the event of a power failure, the oven burner can be lit manually:

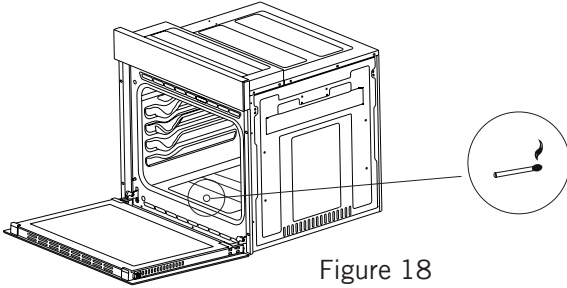


Figure 18

1. Open oven door.
2. Hold match or lighter near the burner hole as shown in the figure.
3. Once the burner is lit, shut the oven door.

NOTE: If the oven burner is accidentally extinguished, turn the oven control knob to the off position, open the oven door, ventilate the kitchen and wait for least one minute before trying to light the burner again.

ATTENTION: Automatic switch is available in the oven. Use this feature when the power fails.

Using The Chicken Roasting *

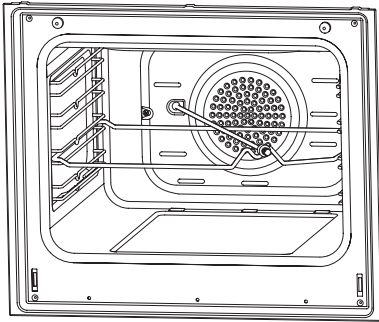
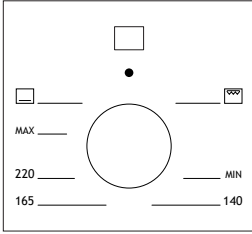


Figure 19

Place the spit on the frame. Slide turn spit frame into the oven at the desired level. Locate a dripping pan through the bottom in order to collect the fast. Add some water in dripping pan for easy cleaning. Do not forget to remove plastic part from spit. After grilling, screw the plastik handle to the skewer and take out the food from oven.

PROGRAM TYPES



Program Button: Helps to set with which heaters the food placed in oven will be cooked. Heater program types in this button and their functions are stated below. Every model might not have all heater types and thus program types of these heaters.

Heating program types in your appliance and important explanations of them are provided below for you can cook different foods appealing to your taste.

	Oven burner		Grill burner
	Roast chicken *		Lamp
	Timer		Turbo fan *

Oven Burner: You can reheat or brown meals using bottom heating. it is also most suitable of heating far preserving food.

Grill Burner: This function is used for grilling. Place food on the wire grid put wire grid into the oven top rack. After place oven deep tray under wire grid.

COOKING RECOMMENDATIONS

You can find in the following table the information of food types which we tested and identified their cooking values in our labs. Cooking times can vary depending on the network voltage, quality of material to be cooked, quantity and temperature. Dishes to cook by using these values might not appeal to your taste. You can set various values for obtaining different tastes and results appealing to your taste by making tests.

WARNING: Oven must be preheated for 7-10 minutes before placing the food in it.

Cooking Table

Food	Cooking function	Cooking temperature (°C)	Cooking rack	Cooking time (min.)
Cake	Oven	170-180	3	35-45
Small cake	Oven	170-180	3	25-30
Pie	Oven	180-200	3	35-45
Pastry	Oven	180-190	3	20-25
Cookie	Oven	170-180	3	20-25
Apple pie	Oven	180-190	3	50-70
Sponge cake	Oven	200/150*	3	20-25
Pizza	Oven	180-200	3	20-30
Lasagne	Oven	180-200	3	25-40
Meringue	Oven	100	3	50
Grilled chicken **	Grill	200-220	3	25-35
Grilled fish **	Grill	200-220	3	25-35
Calf steak **	Grill	Max	4	15-20
Grilled meatball **	Grill	Max	4	20-25

* Do not preheat. First half of cooking time is recommended to be at 200 °C de while the other half at 150 °C.

** Food must be turned after half of the cooking time.

MAINTENANCE AND CLEANING

1. Remove the power plug from electrical socket.
2. Do not clean inner parts, panel, trays and other parts of the product with hard tools such as bristle brush, wire wool or knife. Do not use abrasive, scratching materials or detergent.
3. Rinse after wiping the parts at inner parts of the product with soapy cloth, then dry thoroughly with a soft cloth.
4. Clean glass surfaces with special glass cleaning material.
5. Do not clean your product with steam cleaners.
6. Never use combustibles like acid, thinner and gas while cleaning your product.
7. Do not wash any part of the product in dishwasher.
8. Use potassium stearate (soft soap) for dirt and stains.

Cleaning Oven Glass

Lift by pressing on plastic latches on left and right side as shown in figure 20 and pulling the profile toward yourself as in figure 21. Glass is released after profile is removed as shown in figure 22. Remove the released glass by pulling toward yourself carefully. Outer glass is fixed to oven door profile. You can perform glass cleaning easily after glasses are released. You can mount glasses back by performing the operations reversely after cleaning and maintenance are completed. Ensure that profile is seated properly in place.

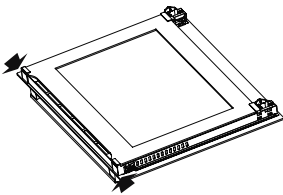


Figure 20

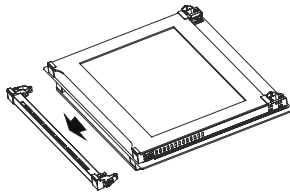


Figure 21

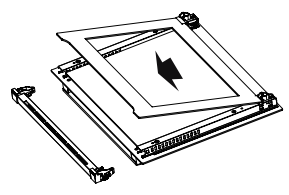


Figure 22

Cleaning And Mounting Oven Door

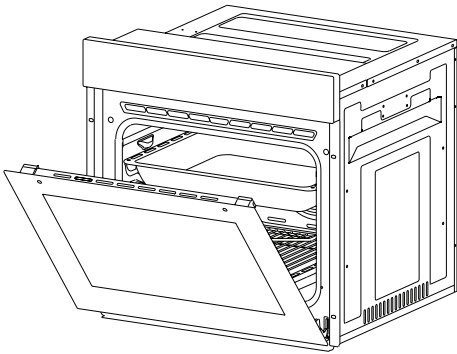


Figure 23

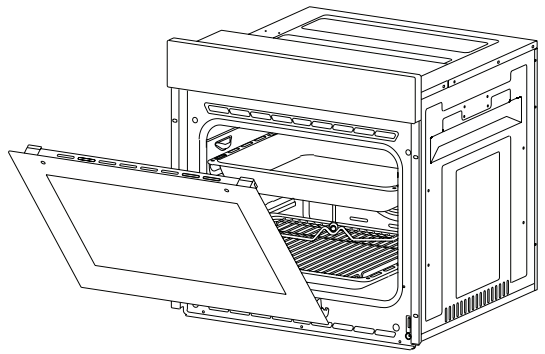


Figure 24

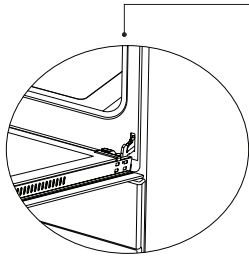


Figure 23.1

Open the door fully by pulling the oven door toward yourself. Then perform unlock operation by pulling the hinge lock upwards with the aid of screwdriver as indicated in **figure 23.1**.

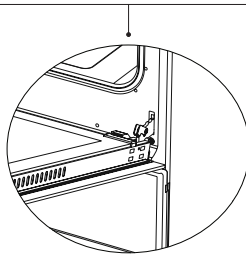


Figure 23.2

Set the hinge lock to the widest angle as in **figure 23.2**. Adjust both hinges connecting oven door to the oven to the same position.

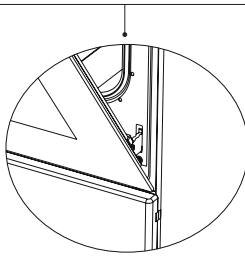


Figure 24.1

Later, close the opened oven door so that it will be in a position to contact with hinge lock as in **figure 24.1**.

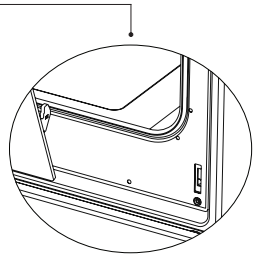


Figure 24.2

For easier removal of oven door, when it comes close to closed position, hold the cover with two hands as in **figure 24.2** and pull upwards.

Reversely perform respectively what you did while opening door to reinstall oven door back.

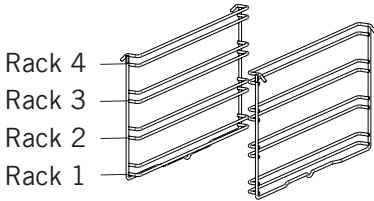
Catalytic Walls *

Catalytic walls are located on the left and the right side of cavity under the guides. Catalytic walls banish the bad smell and obtain the best performance from the cooker. Catalytic walls also absorb oil residue and clean your oven while it's operating.

Removing the catalytic walls

In order to remove the catalytic walls; the guides must be pulled out. As soon as the guides are pulled out, the catalytic walls will be released automatically. The catalytic walls must be changed after 2-3 years.

Rack Positions



It is important to place the wire grill into the oven properly. Do not allow wire rack to touch rear wall of the oven. Rack positions are shown in the next figure. You may place a deep tray or a standard tray in the lower and upper wire racks.

Installing and removing wire racks

To remove wire racks, press the clips shown with arrows in the figure, first remove the lower, and then the upper side from installation location. To install wire racks; reverse the procedure for removing wire rack.

Replacing Oven Lamp

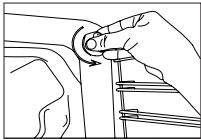
WARNING: To avoid electric shock, ensure that the appliance circuit is open before changing the lamp. (having circuit open means power is off) First disconnect the power of appliance and ensure that appliance is cold.

Remove the glass protection by turning as indicated in the figure on the left side. If you have difficulty in turning, then using plastic gloves will help you in turning.

Then remove the lamp by turning, install the new lamp with same specifications.

Reinstall glass protection, plug the power cable of appliance into electrical socket and complete replacement. Now you can use your oven.

Type G9 Lamp



220-240 V, AC
15-25 W

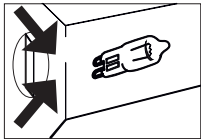
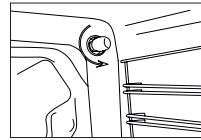


Figure 25

Type E14 Lamp



220-240 V, AC
15 W

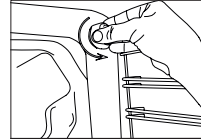


Figure 26

WARNING: This product contains a light source of energy efficiency class G.

TROUBLESHOOTING

You may solve the problems you may encounter with your product by checking the following points before calling the technical service.

Check Points

In case you experience a problem about the oven, first check the table below and try out the suggestions.

Problem	Possible Cause	What to Do
Oven does not operate.	Power supply not available.	Check for power supply.
	Gas supply not available.	Check if main gas valve is open.
		Check if gas pipe is bent or kinked.
		Make sure gas hose is connected to the oven.
		Check if suitable gas valve is being used.
Oven stops during cooking.	Plug comes out from the wall socket.	Re-install the plug into wall socket.
Turns off during cooking.	Too long continuous operation.	Let the oven cool down after long cooking cycles.
	More than one plugs in a wall socket.	Use only one plug for each wall socket.
Oven door is not opening properly.	Food residues jammed between the door and internal cavity.	Clean the oven well and try to re-open the door.
Electric shock when touching the oven.	No proper grounding.	Make sure power supply is grounded properly.
	Ungrounded wall socket is used.	

Problem	Possible Cause	What to Do
Water dripping.	Water or steam may generate under certain conditions depending on the food being cooked. This is not a fault of the appliance.	Let the oven cool down and than wipe dry with a dishcloth.
Steam coming out from a crack on oven door.		
Water remaining inside the oven.		
Oven does not heat.	Oven door is open.	Close the door and restart.
	Oven controls not correctly adjusted.	Read the section regarding operation of the oven and reset the oven.
	Fuse tripped or circuit breaker turned off.	Replace the fuse or reset the circuit breaker. If this is repeating frequently, call an electrician.
Smoke coming out during operation.	When operating the oven for the first time	Smoke comes out from the heaters. This is not a fault. After 2-3 cycles, there will be no more smoke.
	Food on heater.	Let the oven to cool down and clean food residues from the heater.
When operating the oven burnt or plastic odour coming out.	Plastic or other not heat resistant accessories are being used inside the oven.	At high temperatures, use suitable glassware accessories.
Oven does not cook well.	Oven door is opened frequently during cooking.	Do not open oven door frequently, if the food you are cooking does not require turning. If you open the door frequently internal temperature drops and therefore cooking result will be influenced.
Internal light is dim or does not operate.	Foreign object covering the lamp during cooking.	Clean internal surface of the oven and check again.
	Lamp might be failed.	Replace with a lamp with same specifications.

HANDLING RULES

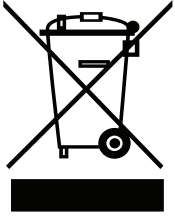
1. Do not use the door and/or handle to carry or move the appliance.
2. Carry out the movement and transportation in the original packaging.
3. Pay maximum attention to the appliance while loading/unloading and handling.
4. Make sure that the packaging is securely closed during handling and transportation.
5. Protect from external factors (such as humidity, water, etc.) that may damage the packaging.
6. Be careful not to damage the appliance due to bumps, crashes, drops, etc. while handling and transporting and not to break or deform it during operation.

RECOMMENDATIONS FOR ENERGY SAVING

Following details will help you use your product ecologically and economically.

1. Use dark coloured and enamel containers that conduct the heat better in the oven.
2. As you cook your food, if the recipe or the user manual indicates that pre-heating is required, pre-heat the oven.
3. Do not open the oven door frequently while cooking.
4. Try not to cook multiple dishes simultaneously in the oven. You may cook at the same time by placing two cookers on the wire rack.
5. Cook multiple dishes successively. The oven will not lose heat.
6. Turn off the oven a few minutes before the expiration time of cooking. In this case, do not open the oven door.
7. Defrost the frozen food before cooking.

ENVIRONMENTALLY-FRIENDLY DISPOSAL



Dispose of packaging in an environmentally-friendly manner.

This appliance is labelled in accordance with European Directive 2012/19/EU concerning used electrical and electronic appliances (waste electrical and electronic equipment - WEEE). The guideline determines the framework for the return and recycling of used appliances as applicable throughout to the EU.

PACKAGE INFORMATION

Packaging materials of the product are manufactured from recyclable materials in accordance with our National Environment Regulations. Do not dispose of the packaging materials together with the domestic or other wastes. Take them to the packaging material collection points designated by the local authorities.

Caro cliente,

Grazie per avere scelto questo prodotto. Miriamo a consentirvi di utilizzare in modo ottimale ed efficiente questo apparecchio prodotto nelle nostre moderne strutture, seguendo precise direttive nel rispetto della qualità totale

Vi consigliamo di leggere attentamente questo manuale operativo prima di utilizzare il forno e di conservarlo permanentemente in modo che le caratteristiche del forno da incasso da voi acquistato rimangano inalterate dal primo giorno e per un lungo tempo.

Nota: Questo manuale operativo è predisposto per più modelli. Il tuo apparecchio potrebbe NON includere alcune funzioni specificate in questo manuale.

Le immagini dei prodotti sono schematiche.

Questo apparecchio è stato prodotto in moderne strutture rispettose dell'ambiente senza causare impatti negativi sulla natura.

I prodotti contrassegnati con (*) sono opzionali.

“Conforme al regolamento RAEE”

Indice

Avvertenze importanti.....	44
Connessione elettrica.....	55
Connessione gas.....	56
Presentazione dell'apparecchio.....	60
Accessori.....	61
Specifiche tecniche.....	62
Installazione dell'apparecchio.....	62
Pannello di controllo.....	68
Utilizzo del forno.....	69
Utilizzo del grill.....	71
Usare la lastra deflettore grill.....	71
Accensione manuale del forno.....	72
Usare il girarrosto.....	72
Tipi di programmi.....	73
Raccomandazioni per la cottura.....	73
Tabella di cottura.....	74
Manutenzione e pulizia.....	75
Pulizia del vetro del forno.....	75
Pulizia e montaggio della porta forno.....	76
Pannelli catalitici.....	77
Posizione telai.....	77
Sostituzione lampada forno.....	78
Risoluzione dei problemi.....	79
Regole di movimentazione.....	81
Raccomandazioni per il risparmio energetico.....	81
Smaltimento ecologico.....	82
Informazioni sulla confezione.....	82

AVVERTENZE IMPORTANTI

1. L'installazione e la riparazione devono sempre essere eseguite da un **“CENTRO ASSISTENZA AUTORIZZATO”**. Il produttore non potrà essere ritenuto responsabile per operazioni svolte da personale non autorizzato.
2. Vi preghiamo di leggere attentamente questo manuale di istruzioni. Solo in questo modo potrete utilizzare l'apparecchio in modo sicuro e corretto.
3. Il forno deve essere utilizzato seguendo il manuale di istruzioni.
4. Tenete i bambini sotto gli 8 anni e gli animali lontani quando l'apparecchio è in funzione.
5. Parti accessibili potrebbero essere calde durante il loro utilizzo. I bambini devono essere tenuti lontano.
6. **ATTENZIONE: Pericolo d'incendio: non riporre oggetti sugli elementi di cottura.**
7. **ATTENZIONE: Durante l'utilizzo l'apparecchio diventa caldo. Devono essere prese precauzioni per impedire di toccare gli elementi riscaldanti all'interno del forno.**
8. Le condizioni di installazione di questo apparecchio sono riportate sull'etichetta. (O sulla targhetta dati).
9. Parti accessibili potrebbero essere calde quando il grill è in funzione. I bambini devono essere tenuti lontani.
10. **ATTENZIONE: Questo apparecchio è destinato alla cottura. Non può essere utilizzato per altri scopi come ad esempio riscaldare una stanza.**

11. Per pulire l'apparecchio non utilizzare pulitori a vapore.

12. Assicurarsi che la porta forno sia completamente chiusa dopo avere messo il cibo al suo interno.

13. Non tentare MAI di spegnere un eventuale incendio con acqua. Staccate unicamente la spina e quindi coprite le fiamme con una coperta o una coperta antincendio.

14. ATTENZIONE: I bambini minori di 8 anni devono essere tenuti lontani oppure devono continuamente essere supervisionati.

15. Evitare di toccare gli elementi riscaldanti.

16. ATTENZIONE: il processo di cottura deve sempre essere supervisionato.

17. Questo apparecchio non deve essere utilizzato da bambini al di sotto degli 8 anni e da persone con ridotte capacità fisiche, sensoriali e cognitive, a meno che non siano adeguatamente supervisionati e/o adeguatamente istruiti in merito alle modalità d'uso in maniera sicura e consapevoli dei rischi inerenti. Evitare che i bambini giochino con l'apparecchio. La pulizia e la manutenzione non devono essere praticate da bambini senza un'adeguata supervisione.

18. Questo apparecchio è stato disegnato solo per uso domestico.

19. Tenete l'apparecchio e il suo cavo di alimentazione lontano dai bambini al di sotto degli 8 anni.

20. Tenere l'apparecchio e il suo cavo di alimentazione lontano da bambini di età inferiore a 8 anni.

21. Allontanare tende, carta o altro materiale infiammabile, dall'apparecchio prima di iniziare a utilizzarlo. Non mettere materiali infiammabili sopra o all'interno dell'apparecchio.

22. Tenere aperti I canali di ventilazione.

23. L'apparecchio non è predisposto per utilizzo con timer esterni o con controlli remoti.

24. Non riscaldare lattine o barattoli di vetro chiusi. La pressione potrebbe farli esplodere.

25. La maniglia del forno non serve come asciugamani. Non appendere nulla (asciugamani ecc.) su di essa.


26. Non posizionare I vassoi o fogli di alluminio direttamente sulla base del forno. Il calore che si accumula può danneggiare la base forno.

27. Quando si posizionano o si rimuovono cibi dal forno utilizzare sempre guanti da forno resistenti al calore.

28. Non utilizzare il prodotto sotto effetto di medicinali o alcool che possono influire sulla vostra capacità cognitiva e di giudizio.

29. Fate attenzione quando usate alcool nei vostri alimenti. L'alcool evapora a temperature elevate e può prendere fuoco causando un incendio se viene a contatto con superfici calde.

30. Dopo ogni utilizzo assicuratevi di spegnere l'apparecchio.



31. Se l'apparecchio è difettoso o presenta danni visibili, non utilizzatelo.

32. Non toccata la spina con le mani bagnate. Non tirate il cavo per staccarlo dalla presa ma tirate sempre la spina.

33. Non utilizzate l'apparecchio con la porta forno rotta o danneggiata.

34. Collocare il cibo all'interno del forno utilizzando l'apposita carta forno oppure utilizzando un accessorio (teglia, vassoio etc.)

35. Non mettere oggetti che i bambini potrebbero raggiungere sull'apparecchio.

36. È importante posizionare correttamente la griglia e il vassoio sui telai laterali. Posizionare la griglia o il vassoio tra i 2 binari e assicurarsi che siano bilanciati prima di appoggiarvi sopra il cibo.

37. Rimuovere le parti della carta da forno in eccesso sia dagli accessori che direttamente onde evitare che possano toccare gli elementi riscaldanti.

38. Non utilizzare mai la carta da forno a temperature superiori da quanto consigliato sulla confezione. Non posizionare la carta sulla base del forno.

39. Quando la porta del forno è aperta, non posizionare oggetti pesante su di essa o consentire ai bambini di sedersi sopra. E' possibile che il forno si ribalti e che si danneggino le cerniere della porta.

40. I materiali per l'imbballaggio sono pericolosi per i bambini. Teneteli lontano dalla loro portata.

41. Non utilizzare detergenti abrasivi o raschietti metallici per pulire il vetro della porta forno poiché i graffi che si possono verificare sulla sua superficie possono causare la rottura del vetro stesso.

42. L'utente non deve maneggiare il forno da solo.

43. Durante l'uso le superfici interne ed esterne del forno si surriscaldano. Quando aprite la porta del forno fate un passo indietro per evitare che il vapore che fuoriesce dall'interno possa scottarvi.

44. Non posizionate oggetti pesanti sulla porta del forno aperta. C'è il rischio di ribaltamento.

45. La connessione del forno deve essere interrotta quando si eseguono lavori in casa. Una volta completati il ricollegamento del forno deve essere eseguito da un servizio assistenza autorizzato.

46. Durante la pulizia l'utente non deve toccare/staccare le resistenze elettriche. Ciò potrebbe causare scosse elettriche o corti circuiti.

47. Per evitare il surriscaldamento dell'apparecchio, il forno non deve essere installato dietro un pannello decorativo.

48. Spegnerne l'apparecchio prima di rimuovere le protezioni. Dopo la pulizia installare le protezioni seguendo le istruzioni.

49. Il punto di fissaggio del cavo di alimentazione deve essere protetto.

Sicurezza Elettrica

1. Collegare l'apparecchio con una presa con la messa a terra protetta da un fusibile conforme ai valori specificati nella tabella delle specifiche tecniche.

2. Fare installare l'apparecchio con la messa a terra da un elettricista autorizzato. La nostra Azienda non sarà responsabile per i danni causati dall'uso del prodotto senza la messa a terra secondo le normative vigenti.

3. Gli interruttori e pulsanti del forno devono essere posizionati in modo tale che l'utente possa raggiungerli quando il forno è installato.

4. Il cavo di alimentazione (il cavo con la spina) non deve toccare le parti calde dell'apparecchio.

5. Se il cavo di alimentazione (il cavo con la spina) è danneggiato, lo stesso dovrà essere sostituito dal produttore o da un suo Centro autorizzato per prevenire situazioni pericolose.

6. Non lavare mai l'apparecchio spruzzando o gettando acqua su di esso. Vi è il rischio di folgorazione.

7. AVVERTENZA: Per evitare scosse elettriche assicurarsi che l'apparecchio si scollegato prima di sostituire la lampada forno.

8. AVVERTENZA: Interrompere tutti I collegamenti del circuito prima di accedere ai terminali elettrici.

9. Non utilizzare cavi tagliati o danneggiati o prolunghes ma solo il cavo di alimentazione.

10. Assicurarsi che non vi siano liquidi o umidità nella presa in cui è installata la spina del prodotto.

11. La superficie posteriore si riscalda quando viene utilizzato il forno. I collegamenti elettrici non devono toccare la superficie posteriore altrimenti I collegamenti potrebbero danneggiarsi.

12. Non serrare I cavi di collegamento alla porta del forno e non farli passare su superfici calde. Se il cavo si scioglie, ciò potrebbe causare un corto circuito e persino un incendio.

13. Scollegare l'unità durante l'installazione, la manutenzione, la pulizia, la riparazione.

14. Se il cavo di alimentazione è danneggiato, deve essere sostituito dal produttore, dal servizio tecnico autorizzato o da qualsiasi altro personale qualificato allo stesso livello, al fine di evitare qualsiasi situazione pericolosa.

15. Assicurarsi che la spina sia inserita saldamente nella presa a muro per evitare scintille.

16. Non utilizzare pulitori a vapore per pulire l'apparecchio, altrimenti potrebbero verificarsi scosse elettriche.

17. Per l'installazione è necessario avere un interruttore onnipolare (salvavita) in grado di scollegare l'alimentazione. La disconnessione deve essere fornita da un interruttore con un fusibile integrato, installato sull'alimentazione fissa.

18. L'apparecchio è dotato di un cavo di **tipo "Y"**.

19. I cavi devono essere collegati a un alimentatore che consenta la disconnessione onnipolare (salvavita).

Sicurezza Gas

1. Questo apparecchio non è collegato a nessun apparecchio di evacuazione prodotti in fiamme. Esso deve essere collegato e installato secondo le normative vigenti. Devono essere considerate le condizioni relative alla ventilazione.

2. Quando viene utilizzato un apparecchio di cottura a gas: umidità, calore e gas di combustione sono generati nella stanza. Prima di tutto assicurarsi che la cucina sia ben ventilata durante il funzionamento dell'apparecchio e mantenere aperture di ventilazione o installare un sistema di ventilazione meccanica.

3. Dopo avere utilizzato l'apparecchio per un lungo periodo di tempo, potrebbe rendersi necessaria una ventilazione supplementare. Ad esempio aprire una finestra.

4. Questo apparecchio deve essere utilizzato solo in luoghi ben ventilati secondo le normative vigenti. Leggere il manuale prima di installare/utilizzare questo apparecchio.

5. Prima di posizionare l'apparecchio assicurarsi che le condizioni della rete locale (tipo e pressione del gas) soddisfino i requisiti dell'apparecchio.

6. Tutti i tipi di operazione da eseguire sull'installazione gas devono essere eseguite da personale autorizzato e certificato.

7. Questo apparecchio è regolato a gas metano (NG) Se è necessario usare il prodotto con gas diversi, rivolgersi al servizio assistenza per la conversione.

8. Per un corretto funzionamento, la cappa, il tubo del gas e la morsettiera devono essere periodicamente sostituiti, seguendo le raccomandazioni del produttore e quando richiesto.

9. Il gas deve bruciare bene. Il gas che brucia bene si capisce dalla continua combustione e dalla fiamma blu. Se il gas non brucia correttamente si può generare monossido di carbonio (CO). Il monossido di carbonio è un gas incolore, inodore e molto tossico; anche in piccole quantità può avere un effetto letale.

10. Chiedere ai vostri fornitori di gas locali I numeri di telefono per le emergenze e le misure da prendere in caso di presenza di odore di gas.

Cosa Fare Quando Viene Rilevato Odore Di Gas

1. Non usare fiamme libere e non fumare.
2. Non azionare alcun interruttore elettrico.
(Ad esempio: interruttore lampada o campanello)
3. Non usare il telefono fisso o il cellulare.
4. Aprire le porte e le finestre.
5. Chiudere tutte le valvole degli apparecchi a gas e la valvola del contatore a gas.
6. Chiamare I Vigili del Fuoco da un telefono fuori casa.
7. Controllare tutti I tubi e I loro collegamenti per eventuali perdite. Se si sente ancora odore di gas, uscite di casa e avvisate i vicini.
8. Non entrate in casa fino a quando le Autorità non ne avranno sancito la sicurezza.

Destinazione D'uso

1. Questo apparecchio è stato prodotto per uso domestico. L'uso commerciale non è permesso.
2. Questo apparecchio può essere usato solo per cucinare. Non deve essere utilizzato per altri scopi come il riscaldamento di una stanza.
3. Questo apparecchio non deve essere usato per riscaldare piatti sotto il grill, asciugare vestiti o asciugamani appendendoli alla maniglia porta forno.
4. Il produttore non si assume alcuna responsabilità per danni causati da uso improprio o per cattiva gestione.
5. Il forno può essere utilizzato per scongelare, arrostitire, friggere o grigliare cibo.
6. La vita operativa del prodotto acquistato è di 10 anni. Questo è il periodo per il quale i pezzi di ricambio richiesti per il funzionamento di questo prodotto, sono forniti dal produttore.

Connessione Elettrica

Questo forno deve essere installato e collegato correttamente seguendo le istruzioni del produttore da un tecnico autorizzato.

L'apparecchio deve essere installato in una base forno che offra un'adeguata ventilazione.

I collegamenti elettrici dell'apparecchio devono essere effettuati solo tramite prese con Sistema di messa a terra conforme alle norme. Contattare un elettricista specializzato se non è presente una presa conforme nel punto in cui verrà installato l'apparecchio. La società produttrice non è in alcun modo responsabile per i danni derivanti dalla connessione di prese per l'apparecchio senza la messa a terra.

La spina del forno deve essere collegata a terra. La spina deve trovarsi in un luogo accessibile dopo l'installazione.

Il tuo forno è stato prodotto per funzionare a 220-240 V 50/60 Hz. E richiede un fusibile da 16 Amp. Se la rete elettrica è diversa da questi valori indicati, consultare un elettricista o il servizio tecnico autorizzato.

Quando è necessario sostituire il fusibile assicurarsi che la connessione elettrica sia effettuata come segue:

- Cavo marrone di fase (al terminale attivo)
- Cavo blu al terminale neutro.
- Cavo giallo-verde al terminale di terra.

Gli interruttori di disconnessione del forno devono trovarsi in un luogo accessibile per l'utente a forno installato.

Il cavo di alimentazione (cavo di collegamento) non deve toccare le parti calde dell'apparecchio. Se il cavo di alimentazione è danneggiato, questo deve essere sostituito dal produttore o da suo servizio tecnico autorizzato o da personale competente.

Connessione Gas

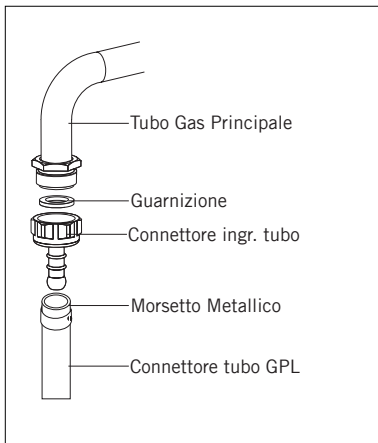
ATTENZIONE: Prima di iniziare qualsiasi attività di installazione chiudere la valvola del gas. Rischio di esplosione.

ATTENZIONE: Il tubo flessibile del gas e il cavo di collegamento elettrico non devono passare vicino ad aree calde come il retro dell'apparecchio. Il tubo del gas deve essere collegato eseguendo curve grandangolari per evitarne la rottura. Il movimento di un apparecchio la cui connessione gas è già stata effettuata può causare perdite di gas.

ATTENZIONE: Durante il controllo di perdite di gas non usare mai accendini, fiammiferi, sigarette accese o sostanze infiammabili. Collegare l'apparecchio alla valvola gas nel modo più breve possibile. Per motivi di sicurezza il tubo utilizzato deve essere di massimo 125 cm. e minimo 40 cm.

Applicare bolle di sapone sui punti di connessione. Se esiste qualche perdita si formeranno bolle di sapone in loro corrispondenza.

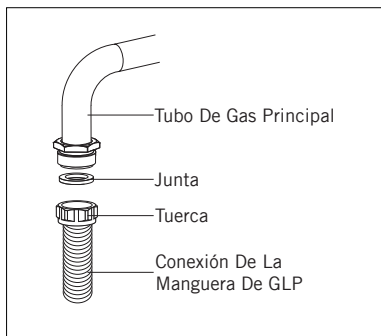
Per connessione GPL;



Per il collegamento GPL applicare una fascetta metallica al tubo proveniente dalla bombola. Fissare un bordo del tubo sul connettore di ingresso dietro l'apparecchio, spingendolo fino in fondo. Successivamente portare il morsetto verso la parte terminale e serrarlo con un cacciavite. Il connettore di ingresso e la guarnizione del tubo flessibile sono come mostrato in figura a lato.

ATTENZIONE: Il regolatore da applicare sulla bombola deve essere tarato a 300 mmSS.

Per connessione gas metano;



ATTENZIONE: La connessione al Gas Metano deve essere eseguita da persona autorizzata. Posizionare la guarnizione nel dado sul bordo del tubo di collegamento del gas. Per collegare il tubo alla valvola principale girare e serrare il dado. Completare il collegamento effettuando il controllo delle perdite di gas.

Ventilazione della stanza

L'aria necessaria per la combustione viene presa dall'ambiente e i gas combusti vengono immessi nell'ambiente. Per un funzionamento sicuro del prodotto, è necessaria una buona ventilazione. Se non è disponibile alcuna finestra per la ventilazione è necessario installare una ventilazione forzata.

Dimensione stanza	Ventilazione
Più piccola 5 m ³	min. 100 cm ²
Tra 5 m ³ - 10 m ³	min. 50 cm ²
Più grande di 10 m ³	No need
In seminterrato o cantina	min. 65 cm ²

Impostazione della portata gas per rubinetti del piano

1. Accendere il bruciatore che deve essere regolato e portare la manopola sulla posizione di Minimo.
2. Rimuovere la manopola dal rubinetto.
3. Utilizzare un cacciavite di dimensioni adeguate per la regolazione della vite di portata. Per GPL girare la vite in senso orario. Per il Gas Metano girare la vite in senso anti orario. La lunghezza normale di una fiamma nella posizione di minimo deve essere di 6-7 mm.
4. Se la fiamma è più alta di quanto desiderato, girare la vite in senso orario. Se è più bassa girare la vite in senso anti orario.
5. Per l'ultimo controllo portare il bruciatore sia su posizione Max che min e controllare che la fiamma rimanga sempre accesa. In funzione dei diversi tipi di rubinetti valvole utilizzati, la posizione della vite di regolazione può variare.

Per regolare il forno al tipo di gas effettuare con attenzione la regolazione con la fiamma al minimo ruotando con un piccolo cacciavite (come mostrato nelle figure 1 e 2) la vite al centro del rubinetto del gas forno ed eventualmente sostituendo gli ugelli in caso di gas differente a quello di taratura di fabbrica come riportato nell'apposita etichetta.

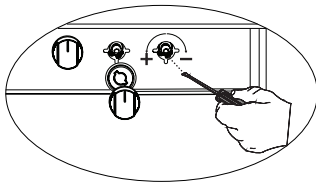


Figura 1

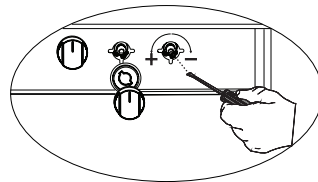


Figura 2

Rimozione del bruciatore inferiore e superiore e installazione dell'iniettore forno a gas.

Rimozione del bruciatore superiore:

Con l'aiuto di un cacciavite rimuovere la vite come mostrato in figura 3. Come mostrato in figura 4 rimuovere il bruciatore dal suo posto tirandolo verso di sé. Come mostrato in figura 5 rimuovere l'iniettore dall'alloggiamento con una chiave a tubo. Per sostituire il bruciatore applicare la procedura in modo inverso.

Figura 3

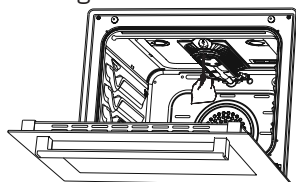


Figura 4

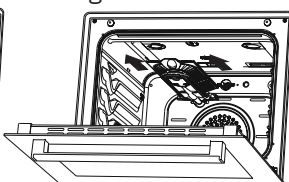
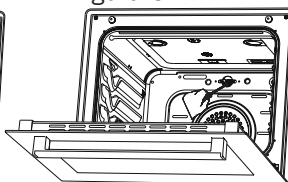


Figura 5



Rimozione del bruciatore inferiore:

Il bruciatore inferiore è fissato con 2 viti. Come mostrato in figura 6 rimuoverle con un cacciavite. Rimuovere la porta tirando verso l'alto come mostrato in figura 7. Rimuovere il bruciatore tirando verso di sé come mostrato in figura 8. Rimuovere l'iniettore dall'alloggiamento come da figura 9 con una chiave a tubo. Per sostituire il bruciatore applicare la procedura in modo inverso.

Figura 6

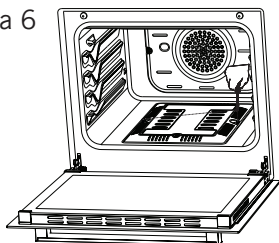


Figura 7

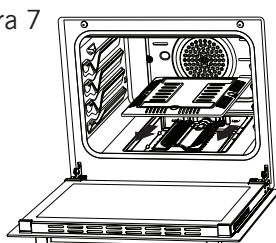


Figura 8

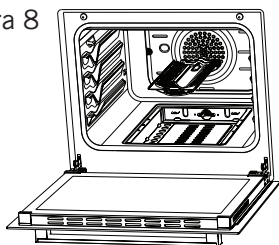
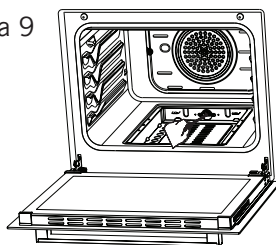
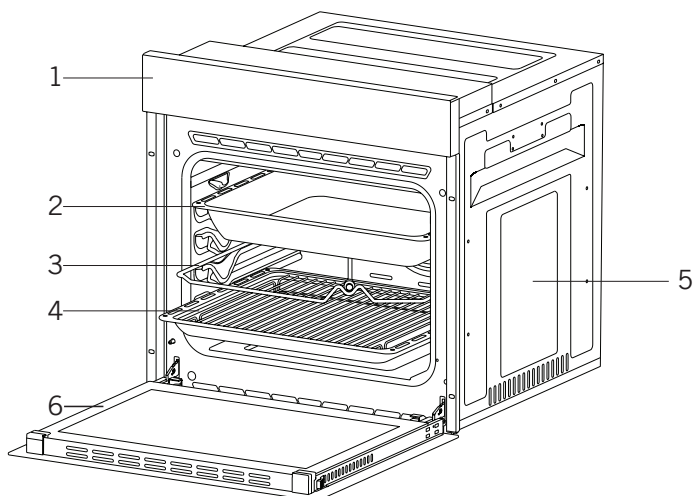


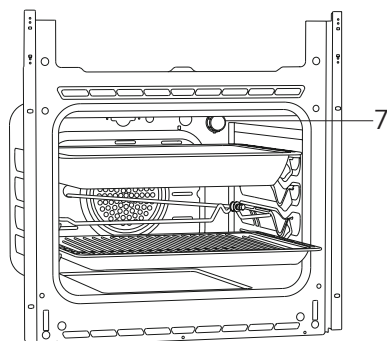
Figura 9



PRESENTAZIONE DELL'APPARECCHIO

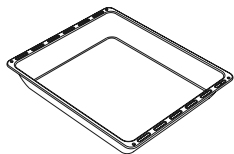


- 1. Pannello di controllo
- 2. Vassoio profondo *
- 3. Spiedo per pollo arrosto *
- 4. Griglia metallica
- 5. Griglie metalliche laterali
- 6. Porta forno



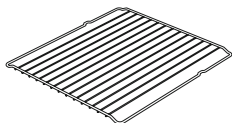
- 7. Luce forno

Accessori



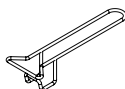
Vassoio profondo *

Utilizzato per torte, cibi surgelati e piatti di carne. Può anche essere utilizzato come contenitore per la raccolta dell'olio.



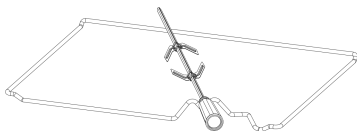
Griglia metallica

Può essere utilizzata per la cottura di cibi o per supporto per teglie, pentole o altri contenitori adatti alla cottura.



Maniglia vassoio *

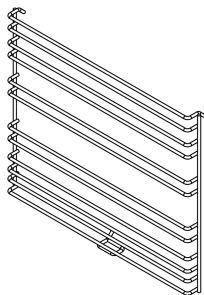
È utilizzata per maneggiare vassoi bollenti.



Spiedo per pollo arrosto

Lo spiedo per pollo arrosto deve essere utilizzato con lo sportello chiuso.

La temperatura di riscaldamento può essere modificata a piacere. Sullo spiedo per pollo arrosto è preferibile cucinare solo tranci di medie dimensioni.



Griglie metalliche laterali

Collocate su entrambi i lati della cavità del forno, sostengono le griglie metalliche e le leccarde.

NOTA: I vassoi e le griglie del forno non sono adatti al contatto diretto con gli alimenti. Si prega di utilizzare teglie idonee o carta da forno.

Specifiche Tecniche

Specifiche	Forno da Incasso 60 cm
Potenza lampada	15-25 W
Termostato	100-250 / Máx °C
Grill	2000 W
Tensione di utilizzo	220-240 V 50/60 Hz.

Specifiche Bruciatori	G20,20 mbar G25,25 mbar			G20,25 mbar		G30,28-30 mbar G31,37 mbar		G30,37 mbar		G30,50 mbar	
	Gas metano			Gas metano		GLP		GLP		GLP	
Bruciatore grill	Iniettore	1,00	mm	0,92	mm	0,70	mm	0,65	mm	0,60	mm
	Flusso del gas	0,190	m³/h	0,190	m³/h	145	g/h	145	g/h	145	g/h
	Potenza	2,00	kW	2,00	kW	2,00	kW	2,00	kW	2,00	kW
Bruciatore forno	Iniettore	1,10	mm	1,00	mm	0,75	mm	0,70	mm	0,65	mm
	Flusso del gas	0,238	m³/h	0,238	m³/h	182	g/h	182	g/h	182	g/h
	Potenza	2,50	kW	2,50	kW	2,50	kW	2,50	kW	2,50	kW

ATTENZIONE: I valori del diametro riportati sugli iniettori sono senza la virgola. Ad esempio: il diametro di 1,70 mm. È specificato come 170 sull'iniettore. Le specifiche tecniche possono essere modificate senza preavviso per migliorare la qualità del prodotto. I valori forniti con l'apparecchio o i documenti di accompagnamento riportano valori di laboratorio in conformità con le norme. Questi valori possono differire a seconda dell'uso e delle condizioni ambientali. I dati su questo manuale sono schematici e potrebbero non corrispondere al vostro prodotto.

INSTALLAZIONE DELL'APPARECCHIO

Accertarsi che la connessione elettrica sia adatta alla messa in funzione dell'apparecchio. In caso contrario chiamare un elettricista per prendere le disposizioni necessarie. La ditta produttrice non può essere ritenuta responsabile per danni causati da operazioni di persone non autorizzate e la garanzia del prodotto decade.

ATTENZIONE: È responsabilità del cliente preparare la posizione in cui deve essere collocato il prodotto e preparare l'unità di alimentazione.

ATTENZIONE: Le norme sugli standard elettrici devono essere rispettate durante l'installazione.

ATTENZIONE: Verificare eventuali danni del prodotto prima di installarlo. Non installare il prodotto se è danneggiato. I prodotti danneggiati rappresentano un pericolo per la sicurezza.

Avvertenze Importanti Per L'installazione

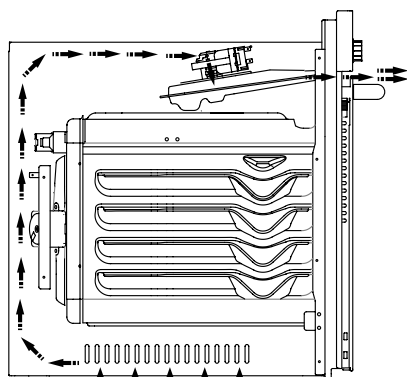


Figura 10

La ventola di raffreddamento deve scaricare ulteriore vapore ed evitare il surriscaldamento delle superfici esterne durante il funzionamento del forno. Questa è una condizione necessaria per un migliore funzionamento dell'apparecchio e una migliore cottura. La ventola di raffreddamento deve continuare a funzionare al termine della cottura. La ventola si arresterà automaticamente al termine del raffreddamento.

Deve essere lasciato uno spazio dietro la base forno per una migliore efficienza. Questo spazio non deve essere ignorato poiché mediante questo sistema di ventilazione l'apparecchio può funzionare.

Posto Corretto Per Installazione

Il prodotto è stato progettato per essere montato su basi forno acquistate dal mercato. È necessario lasciare una distanza di sicurezza tra il prodotto e le pareti dei mobili della cucina. Vedere il disegno fornito nella pagina successiva per le distanze (valori in mm.).

- Le superfici usate, i laminati sintetici, e gli adesivi devono essere termici e resistenti (minimo 100 °C).
- Le basi da cucina devono essere a livello del prodotto e fissate.
- Se esiste un cassetto sotto il forno è necessario posizionare una griglia tra forno e cassetto.

ATTENZIONE: Non installare il forno accanto a frigoriferi o refrigeratori. Il calore emesso dal forno aumenta il consumo di tali apparecchi.

ATTENZIONE: Non utilizzare la porta e/o la maniglia per trasportare o spostare il forno.

Installazione e montaggio del forno da 60 cm.

Il luogo dove sarà montato il prodotto deve essere stabilito prima di iniziare l'installazione. Il forno non deve essere installato in luoghi soggetti a forti flussi d'aria. Trasportare il prodotto in almeno due persone. Non trascinare il prodotto per non danneggiare il pavimento. Rimuovere tutti i materiali all'interno e all'esterno del prodotto. Rimuovere tutti i documenti all'interno del prodotto.

Installazione a base sotto pensile

La base forno deve corrispondere alle misure indicate in figura 11. È necessario prevedere uno spazio libero nella parte posteriore, come indicato nella figura, in modo da consentire la ventilazione necessaria.

Dopo il montaggio, lo spazio tra la parte inferiore e superiore della base forno è indicato in figura 14 con la lettera A. Questo spazio non deve mai essere coperto.

Installazione in una Colonna forno

La Colonna forno deve corrispondere alle dimensioni indicate in figura 13. Spazi liberi, con dimensioni indicate, devono essere previsti nella parte posteriore nelle sezioni superiore e inferiore in modo da consentire la ventilazione necessaria.

Requisiti di Installazione

Le dimensioni del prodotto sono riportate in figura 12.

Le superfici del mobile e i materiali devono avere una resistenza minima alla temperatura di 100 °C.

La Colonna forno deve essere fissata e il pavimento deve essere planare affinché il prodotto non si inclini. Il pavimento della Colonna forno deve avere una resistenza minima in grado di gestire un carico di 60 kg.

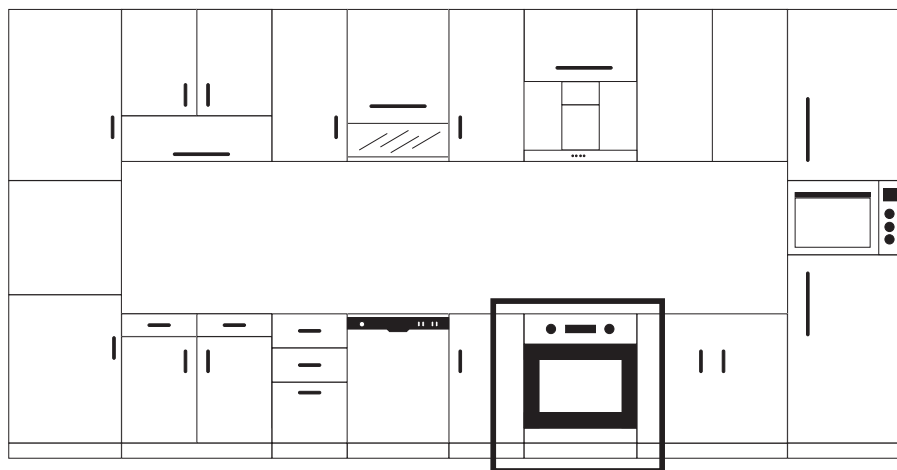
Posizionamento e protezione del forno

Posizionate il forno nella cabina in due o più persone. Accertarsi che il telaio del forno e il bordo anteriore corrispondano uniformemente. Il cavo di alimentazione non deve stare sotto il forno, essere schiacciato tra il forno e il mobile o piegato. Fissare il forno al mobile utilizzando le viti fornite con il prodotto. Le viti devono essere montate come mostrato in figura 14 facendole passare attraverso la plastica fissata al telaio del prodotto. Le viti non devono essere eccessivamente serrate, altrimenti potrebbero spanarsi. Verificare che il forno non si muova dopo il montaggio. Se il forno non è montato seguendo le istruzioni, esiste il rischio di ribaltamento durante il funzionamento.

Connessione Elettrica

Il luogo di montaggio dell'apparecchio deve avere un'adeguata connessione elettrica. La tensione di rete deve essere compatibile con i valori forniti sull'etichetta del prodotto. Il collegamento del prodotto deve essere effettuato in conformità con le normative locali e Nazionali. Prima di iniziare il montaggio scollegare l'alimentazione di rete. Non collegare il prodotto alla rete fino al completamento del montaggio.

Montaggio



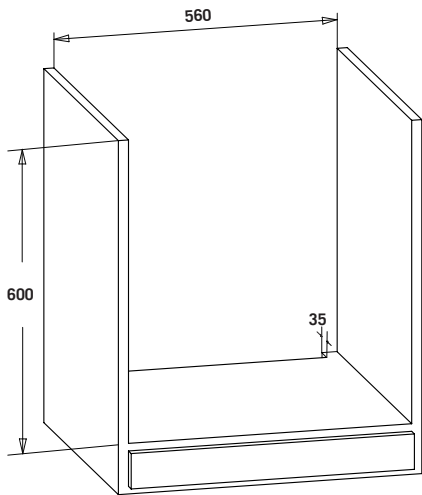


Figura 11

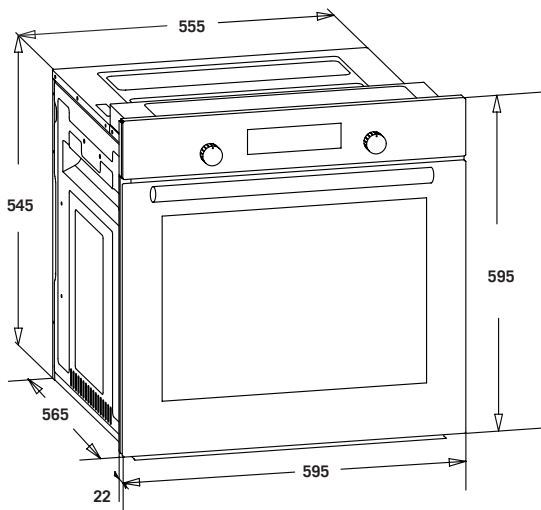
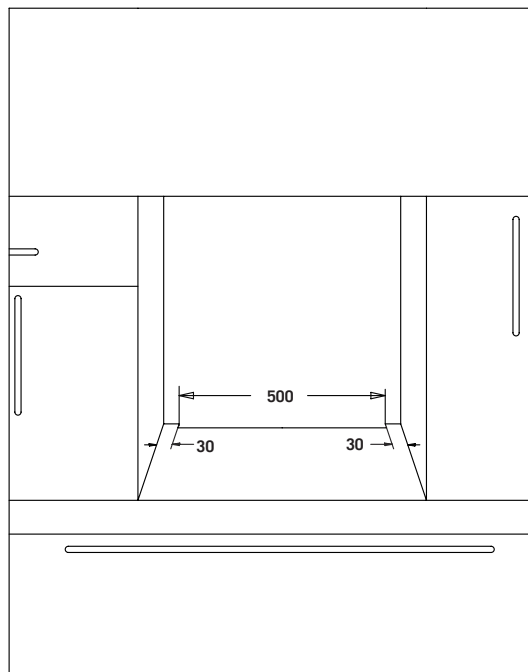


Figura 12

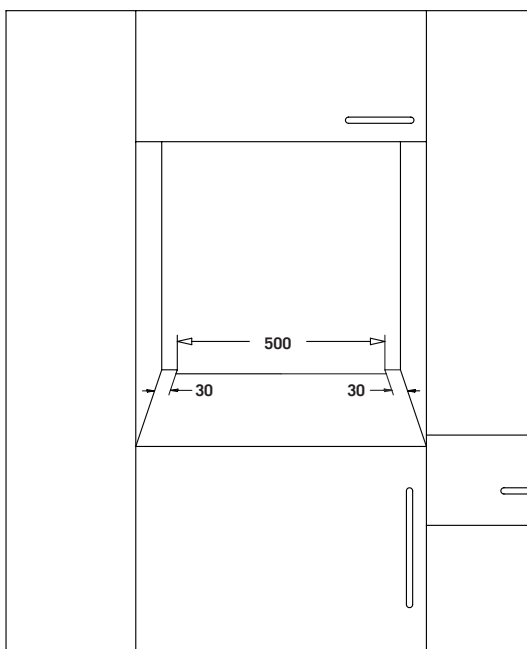
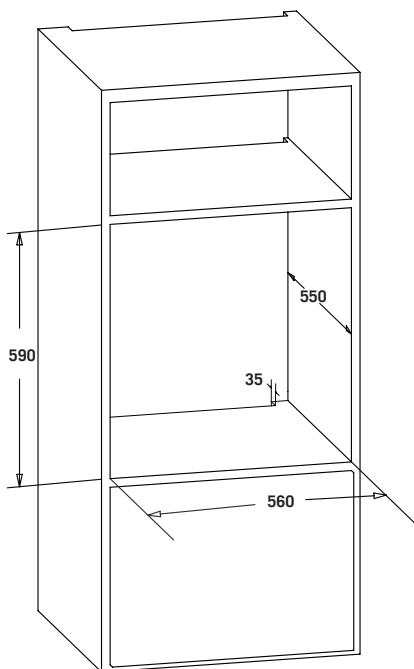
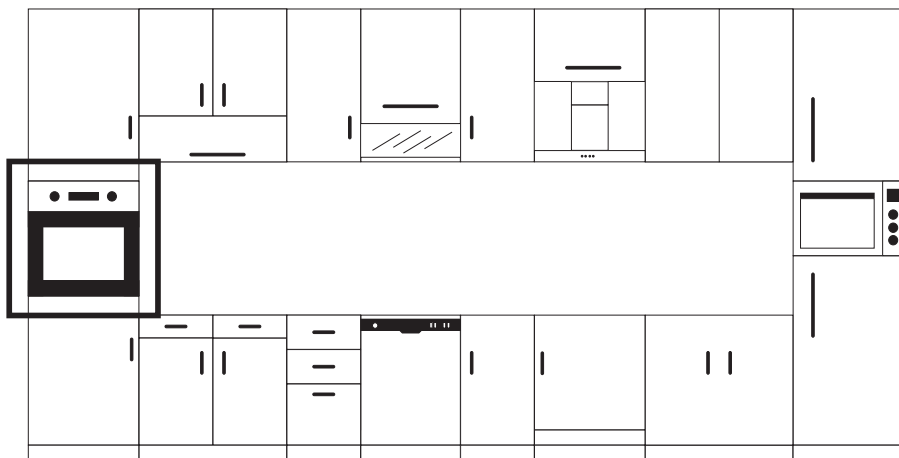


Figura 13

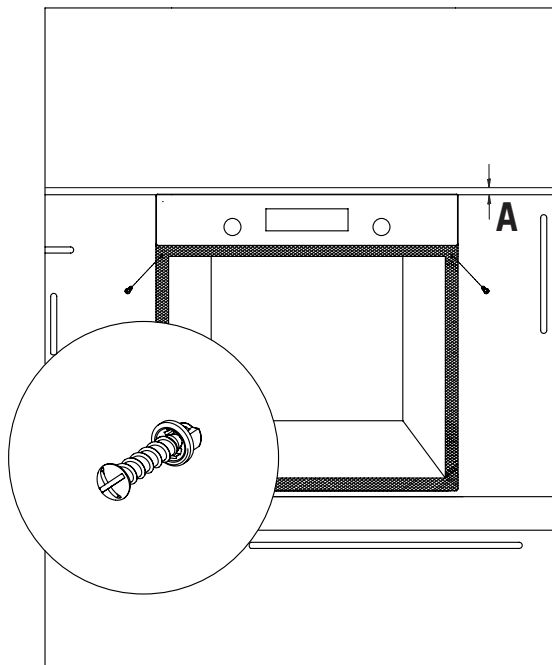
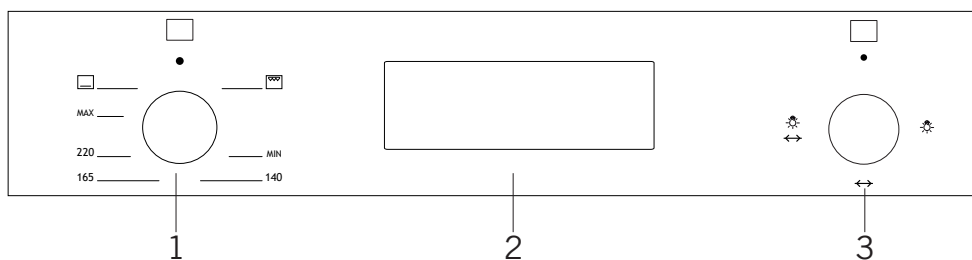


Figura 14

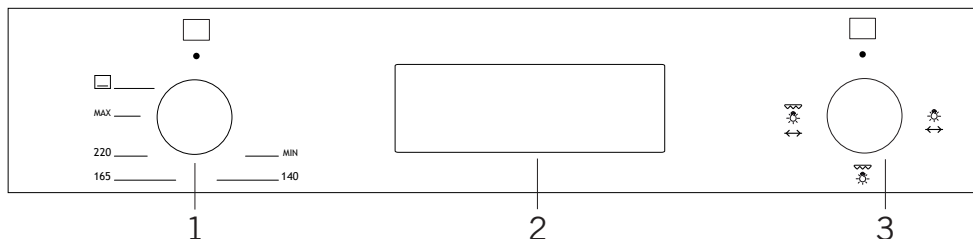
PANNELLO DI CONTROLLO

Figura Pannello di Controllo Forno a Gas



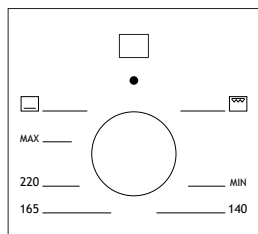
1. Manopola selettore forno
2. Timer meccanico o digitale
3. Manopola commutatore forno

Figura Pannello di Controllo Forno

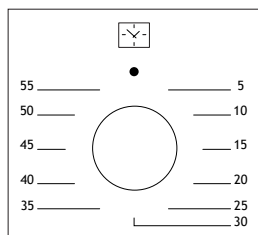


1. Manopola selettore forno
2. Timer meccanico o digitale
3. Manopola commutatore forno

ATTENZIONE: La figura del pannello riportata sopra è solo a scopo illustrativo. Considerate solo il pannello del vostro forno.



Manopola selettore forno: Fornisce il controllo dei 2 bruciatori a gas (per il bruciatore con termostato del forno e per il grill) Inoltre è possibile utilizzare l'accensione sottomanopola per accendere entrambi i bruciatori a gas.



Manopola timer meccanico *: Aiuta ad impostare il tempo di cottura del cibo nel forno. Vedere la tabella e controllare i tempi di cottura.

UTILIZZO DEL FORNO

Uso Iniziale Del Forno

Ecco le cose da fare al primo utilizzo del forno dopo avere effettuato i collegamenti necessari secondo le istruzioni:

1. Rimuovere le etichette e gli accessori all'interno del forno. Se presente togliere la pellicola protettiva sul davanti dell'apparecchio.

2. Rimuovere la polvere e i residui dell'imballaggio, pulendo l'interno del forno con un panno umido. L'interno del forno deve essere vuoto. Inserire il cavo dell'apparecchio alla presa elettrica.

3. Regolare la manopola del termostato alla temperatura più alta (250 Max. °C) e far funzionare il forno per 30 minuti a porta chiusa. Nel frattempo si potrebbe generare un po' di fumo e cattivo odore ma è una situazione normale.

4. Pulire l'interno del forno con acqua tiepida e detergente dopo che si è raffreddato, quindi asciugare con un panno pulito. Ora potete usare il forno.

Normale Uso Del Forno

1. Il bruciatore superiore (grill) e il bruciatore inferiore di questo forno possono essere usati solo uno alla volta. Quando si desidera utilizzare il bruciatore prescelto, premere la manopola del rubinetto e attendere 5 secondi per eliminare l'aria dal dispositivo. Quindi è possibile accendere il bruciatore con il Sistema di accensione automatica (se optional usare i fiammiferi)

2. Una volta acceso il bruciatore, bisogna tenere premuta la manopola per 10 sec per attivare il Sistema di sicurezza della fiamma.

3. Una volta acceso il bruciatore dopo un paio di minuti è possibile chiudere la porta del forno.

4. È possibile impostare il tempo di cottura utilizzando l'apposito pulsante sui modelli con timer meccanico. Il timer spegne i bruciatori ed emette un segnale acustico al termine.

5. Il timer spegne i bruciatori ed emette un segnale acustico al termine.

6. Il Sistema di raffreddamento continuerà a funzionare al termine della cottura. Il Sistema si spegnerà automaticamente al termine del raffreddamento.

Utilizzo Del Grill

1. Quando si posiziona la griglia forno nel punto più alto, il cibo NON deve toccare il grill.

2. Potete preriscaldare il forno per 5 minuti per grigliare. Se necessario potete capovolgere il cibo da grigliare.

3. I cibi devono essere posizionati al centro per fornire il migliore ricircolo d'aria possibile nel forno.

Accendere il grill;

1. Posizionare la manopola selettore sul simbolo del grill.

2. Quindi impostare la temperatura grill desiderata.

Spegnere il grill;

Posizionare la manopola selettore sulla posizione OFF.

ATTENZIONE: Tenere la porta forno chiusa durante il grill (Elettrico)

ATTENZIONE: Tenere la porta forno aperta durante il grill (Gas)

Usare La Lastra Deflettore Grill *

1. Posizionare lo schermo termico sotto il pannello di controllo aprendo lo sportello del forno (figura 16).

2. Abbinare le 2 linguette di montaggio sul deflettore termico con le 2 fessure sotto il pannello di controllo, quindi fissate il deflettore tra forno e porta chiudendola delicatamente. (figura 17)

3. È importante mantenere la porta aperta alla distanza specificata mentre si griglia.

4. Il deflettore termico offre prestazioni di cottura ideali proteggendo il pannello di controllo e le manopole.

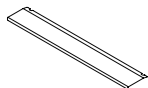


Figura 15

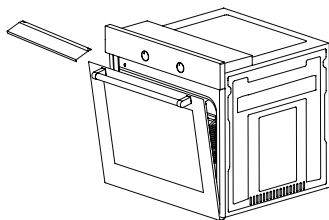


Figura 16

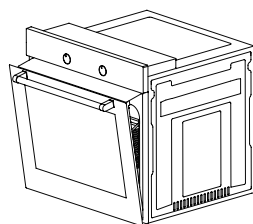


Figura 17

Accensione Manuale Del Forno

In caso di mancanza di corrente il bruciatore forno può essere acceso manualmente:

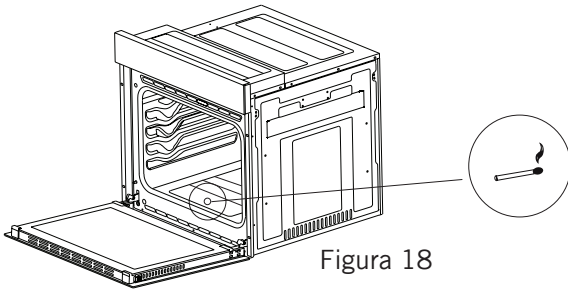


Figura 18

1. Aprite la porta forno.
2. Tenere l'accendino o il fiammifero vicino al foro come mostrato nella figura.
3. Dopo che il bruciatore si è acceso chiudere la porta forno.

NOTE: Se il bruciatore del forno si spegne accidentalmente, ruotare la manopola di controllo sulla posizione OFF, aprite la porta del forno, arieggiare la cucina e attendete almeno 1 minuto prima di provare a riaccendere il bruciatore.

ATTENZIONE: L'interruttore automatico è disponibile. Utilizzate questa funzione quando la corrente si interrompe.

Usare il Girarrosto *

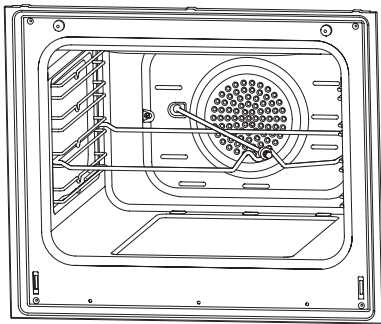
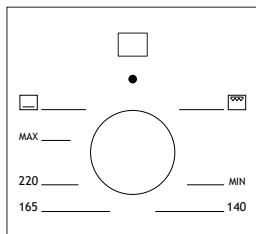


Figura 19







Posiziona lo spiedo sul telaio. Fare scorrere la cornice dello spiedo al livello desiderato. Posizionate un recipiente sul fondo che raccolga il grasso. Aggiungete un po' d'acqua nel recipiente per facilitarne la pulizia. Non dimenticate di rimuovere la parte in plastica dallo spiedo. Dopo la grigliatura avvitare il manico di plastica allo spiedo ed estraetelo dal forno.

TIPI DI PROGRAMMI



Manopola Programmi: Aiuta ad impostare con quali bruciatori I cibi saranno cotti. I tipi di programma di cottura di questa manopola e le loro funzioni sono indicate di seguito. Ogni modello potrebbe NON avere tutti i tipi di elementi riscaldanti.

Di seguito sono riportati I tipi di programmi di cottura del vostro apparecchio e importanti spiegazioni per cucinare cibi diversi secondo i vostri gusti.

	Bruciatore forno		Bruciatore grill
	Girrarrosto *		Lampada forno
	Timer		Ventola *

Bruciatore Forno: Puoi cucinare o dorare piatti utilizzando il bruciatore forno. È inoltre il più indicato per cucinare cibo surgelato.

Bruciatore Grill: Questa funzione è utilizzata per grigliare. Posizionare gli alimenti sulla griglia forno utilizzando la carta forno e inserirla nella parte alta. Dopo di che posizionate una teglia sulla base sotto la griglia.

RACCOMANDAZIONI PER LA COTTURA

Nella tabella seguente puoi trovare le informazioni sui tipi di alimenti che abbiamo testato nei nostri laboratori indicandone il tempo di cottura. I tempi di cottura possono variare in base alla qualità del cibo da cuocere, alla quantità e alla temperatura. I piatti cucinati utilizzando questi valori potrebbero non soddisfare i tuoi gusti. È pertanto possibile utilizzare valori diversi per rispondere a diversi gusti effettuando test di cottura.

ATTENZIONE: Il forno deve essere di solito pre riscaldato per 7-10 minuti prima di inserirvi il cibo da cuocere.

Tabella Di Cottura

Cibo	Funzione cottura	Temperatura di cottura (°C)	Livello di cottura	Tempo di cottura (min)
Dolce/Torta	Bruciatore forno	170-180	3	35-45
Piccolo dolce/torta	Bruciatore forno	170-180	3	25-30
Torta	Bruciatore forno	180-200	3	35-45
Pasticcini	Bruciatore forno	180-190	3	20-25
Biscotti	Bruciatore forno	170-180	3	20-25
Torta di mele	Bruciatore forno	180-190	3	50-70
Spongata	Bruciatore forno	200/150 *	3	20-25
Pizza	Bruciatore forno	180-200	3	20-30
Lasagne	Bruciatore forno	180-200	3	25-40
Pandispagna	Bruciatore forno	100	3	50
Pollo alla griglia **	Grill	200-220	3	25-35
Pesce alla griglia*	Grill	200-220	3	25-35
Bistecca vitello **	Grill	Máx	4	15-20
Polpette alla griglia **	Grill	Máx	4	20-25

* Non preriscaldate. Si consiglia di utilizzare il forno a 200 °C per la prima metà della cottura e 150 °C per la seconda.

** Il cibo deve essere girato dopo la metà del tempo di cottura.

MANUTENZIONE E PULIZIA

1. Rimuovere la spina dalla presa elettrica.
2. Non pulire e parti interne, il pannello, I vassoi e altri parti del prodotto con strumenti duri come spazzole di setola o coltelli. Non utilizzare materiali abrasivi o graffianti.
3. Sciacquare dopo aver pulito le parti interne con un panno saponato, quindi asciugare accuratamente con un panno morbido.
4. Pulire I vetri con materiali specifici per il vetro.
5. Non pulire il prodotto con pulitori a vapore.
6. Non usare mai prodotti come acidi o solventi o gas durante la pulizia.
7. Non lavare nessuna parte del prodotto in lavastoviglie.
8. Utilizzare stearato di potassio (sapone neutro) per sporco e macchie.

Pulizia Del Vetro Del Forno

Sollevarlo premendo sui fermi di plastica sul lato sinistro e destro come mostrato nella figura 20 e tirando il profilo verso di sé come da figura 21. Il vetro viene rilasciato dopo la rimozione del profilo come mostrato nella figura 22. Rimuovere il vetro rilasciato tirando verso di sé con attenzione. Il vetro esterno è fissato al profilo della porta forno. È possibile eseguire facilmente la pulizia dei vetri dopo lo smontaggio. È possibile montare nuovamente il vetro eseguendo le operazioni al contrario dopo averli puliti. Assicurarsi che il profilo sia montato correttamente.

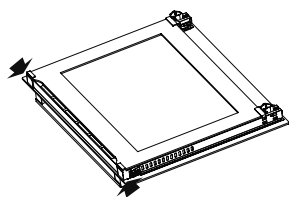


Figura 20

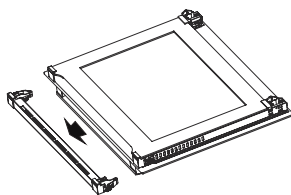


Figura 21

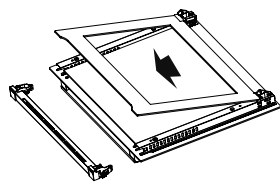


Figura 22

Pulizia E Montaggio Della Porta Forno

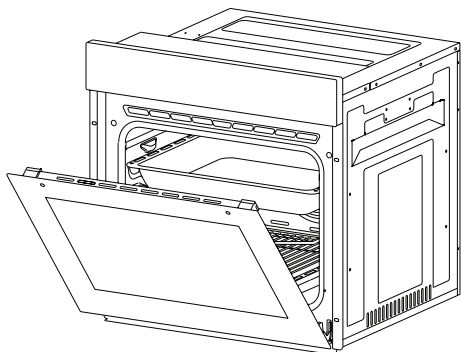


Figura 23

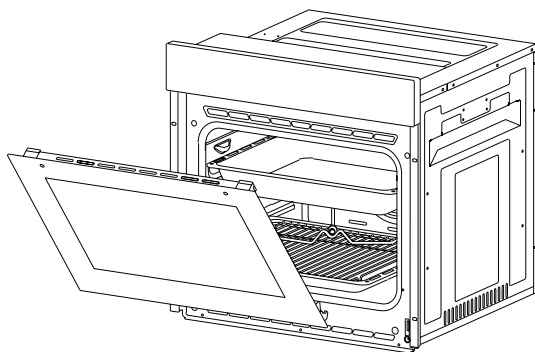


Figura 24

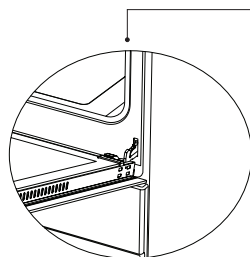


Figura 23.1

Aprire completamente la porta. Quindi eseguire l'operazione di sblocco tirando il blocco cerniera verso l'alto con l'aiuto del cacciavite come mostrato in **figura 23.1**.

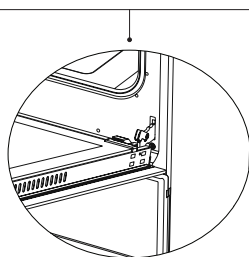


Figura 23.2

Impostare il blocco della cerniera sull'angolazione più ampia come nella **figura 23.2**. Regolare entrambe le cerniere che collegano la porta al forno nella stessa posizione.

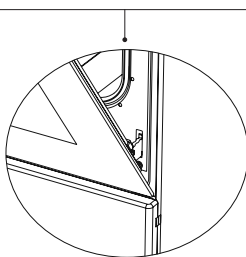


Figura 24.1

Successivamente chiudere la porta forno in modo tale che sia in grado di entrare in contatto con il blocco cerniera come da **figura 24.1**.

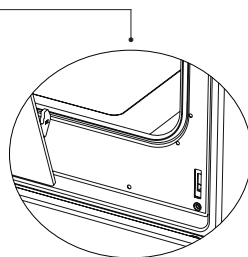


Figura 24.2

Per una più facile rimozione della porta del forno, quando si avvicina alla posizione di chiusura, tenere la porta con 2 mani come in **figura 24.2** e tirate verso l'alto.

Eseguite in modo inverso ciò che avete fatto per reinstallare la porta forno.

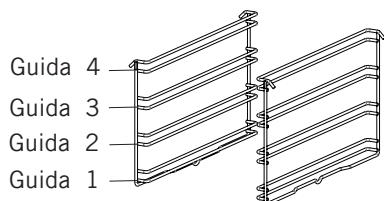
Pannelli Catalitici *

I Pannelli catalitici si trovano sul lato destro e sinistro della cavità, I Pannelli catalitici assorbono il cattivo odore e garantiscono le migliori prestazioni del forno. I Pannelli catalitici assorbono I residui di olio e puliscono il forno mentre è in funzione.

Rimozione dei pannelli catalitici

Per rimuovere I Pannelli catalitici le guide in filo laterali devono essere rimosse. Non appena I telai verranno rimossi I Pannelli catalitici saranno rilasciati automaticamente. I pannelli catalitici devono essere sostituiti ogni 2-3.

Posizione Telai



È importante posizionare correttamente la griglia forno. Non consentire alla griglia di toccare la parete posteriore del forno. Le posizioni delle guide sono mostrate nella figura a fianco. È possibile posizionare un vassoio profondo o un vassoio standard nelle guide inferiore e superiore.

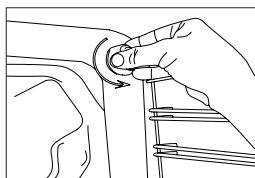
Installare e rimuovere le guide laterali

Per rimuovere le guide laterali premere le clips mostrate con le frecce nella figura. Rimuovere prima il lato inferiore e poi quello superiore dalla posizione di installazione. Per installare le guide invertire la procedura.

Sostituzione Lampada Forno

ATTENZIONE: Per evitare scosse elettriche, disalimentare l'apparecchio prima della sostituzione (staccare il cavo di alimentazione e/o l'interruttore sul quadro elettrico). e assicurarsi che sia freddo. Rimuovere la protezione di vetro ruotandola come indicato nella figura sul lato sinistro. Se si ha difficoltà nel ruotarla utilizzare guanti di plastica. Quindi rimuovere la lampadina ruotandola, installandone una nuova con le stesse modalità. Reinstallare la protezione di vetro, inserire il cavo di alimentazione nella presa elettrica completando così la sostituzione. Ora è possibile utilizzare nuovamente il forno.

Lampada tipo G9



220-240 V, AC
15-25 W

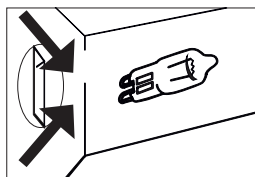


Figura 25

Lampada tipo E14



220-240 V, AC
15 W

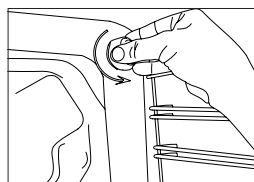


Figura 26

ATTENZIONE: Questo prodotto include il sorgente di luce che ha l'efficienza energetica classe G.

RISOLUZIONE DEI PROBLEMI

È possibile risolvere i problemi che si possono verificare con il prodotto verificando i seguenti punti prima di chiamare l'assistenza tecnica.

Punti di controllo

Nel caso in cui si verifichi un problema con il forno, controllare innanzitutto la tabella seguente e provarne i suggerimenti.

Problema	Possibili cause	Cosa fare
Il forno non funziona.	La rete elettrica è disconnessa.	Verificare la rete elettrica.
	Rete gas non disponibile.	Controllare se la valvola gas è aperta.
		Controllare se il tubo del gas è piegato.
		Accertarsi che il tubo del gas sia collegato al forno.
Verificare che la valvola del gas sia adatta.		
Il forno si arresta durante la cottura.	La spina è uscita dalla presa elettrica.	Reinstallare la spina nella presa.
Il forno si spegne durante la cottura.	Funzionamento continuo troppo lungo.	Dopo molti cicli di cottura lasciare raffreddare il forno.
	Più di una spina collegata a una presa.	Utilizzare solo una spina per una presa.
La porta del forno non si apre correttamente.	Residui di cibo incastrati tra la porta e la cavità forno.	Pulite bene il forno e provate a riaprire la porta.
Scossa elettrica quando si tocca il forno.	Nessuna corretta messa a terra.	Assicurarsi che l'alimentazione sia correttamente messa a terra.
	State utilizzando una presa senza la messa a terra.	

Problema	Possibili cause	Cosa fare
Acqua che sgocciola	L'acqua o il vapore si possono generare in determinate condizioni in funzione del cibo che si sta cuocendo. Questo non è un difetto dell'apparecchio.	Lasciate raffreddare il forno e poi asciugate con un canovaccio.
Vapore che fuoriesca da una crepa sulla porta del forno.		
Acqua che rimane all'interno del forno.		
Il forno non riscalda	La porta del forno è aperta.	Chiudete la porta forno e reiniziate.
	Le manopole forno non sono regolate correttamente.	Leggete la funzione relativa al funzionamento del forno.
	Salvavita che scatta o interruttore automatico spento.	Sostituire il fusibile o ripristinare l'interruttore. Se questo si ripete frequentemente chiamate un elettricista.
Fumo che esce durante il funzionamento.	Quando accendete il forno per la prima volta.	Il fumo esce dagli elementi riscaldanti. Questo non è un difetto. Dopo 2-3 cicli il fumo scomparirà.
	Cibo in cottura.	Lascia raffreddare e pulisci gli elementi riscaldanti dai residui di cibo.
Quando si usa il forno si avverte odore di plastica bruciata.	All'interno del forno vengono utilizzati accessori in plastica non resistenti al calore.	Ad alte temperature utilizzare idonei accessori in vetro.
Il forno non cuoce bene.	Avete aperto il forno frequentemente durante la cottura.	Non Aprite frequentemente la porta del forno se il cibo che si sta cucinando non necessita di essere girato. Se si apre frequentemente la porta la temperatura interna si abbassa influenzandone la cottura.
La luce forno è fioca o non funziona.	Un oggetto estraneo sta coprendo la lampada.	Pulite la superficie interna o rimuovete l'oggetto e riprovate.
	La lampada si è bruciata e non funziona.	Sostituite con una lampada dalle stesse caratteristiche.

REGOLE DI MOVIMENTAZIONE

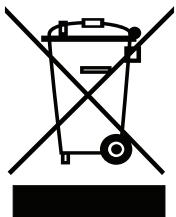
1. Non usate la maniglia forno per trasportare o muovere l'apparecchio.
2. Effettuare il trasporto e i movimenti nella confezione originale.
3. Prestare la massima attenzione all'apparecchio durante la movimentazione.
4. Assicurarsi che l'imballo sia chiuso in modo sicuro durante il trasporto e la manipolazione.
5. Proteggere l'apparecchio da fattori esterni (umidità, acqua) che potrebbero danneggiarlo.
6. Fare attenzione a non danneggiare l'apparecchio a causa di urti o cadute.

RACCOMANDAZIONI PER IL RISPARMIO ENERGETICO

I seguenti dettagli vi aiuteranno ad utilizzare il vostro apparecchio in modo ecologico ed economico.

1. Utilizzate contenitori smaltati e di colore scuro in quanto conducono meglio il calore nel forno.
2. Durante la cottura dei cibi, se indicato dalla ricetta o dal manuale, è necessario pre riscaldare il forno.
3. Non Aprite il forno frequentemente durante la cottura.
4. Cercate di non cucinare più piatti contemporaneamente nel forno. Potete cucinare più piatti contemporaneamente posizionandoli su 2 vassoi su diversi livelli.
5. Cucinate più piatti in successione. In questo modo il forno non perderà calore.
6. Spegnete il forno qualche minute prima del termine della cottura. In questo caso non Aprite la porta del forno.
7. Scongelate i cibi congelati prima della cottura.

SMALTIMENTO ECOLOGICO



Smaltire gli imballaggi in modo ecologico.

Questo apparecchio è conforme alla Direttiva europea 2012/19/EU sulle apparecchiature elettriche ed elettroniche usate (rifiuti delle apparecchiature elettriche ed elettroniche-RAEE). Le linee guida stabiliscono la modalità di restituzione e riciclo degli apparecchi usati, come applicabile in tutta la UE.

INFORMAZIONI SULLA CONFEZIONE

I materiali di imballaggio del prodotto sono realizzati con materiali riciclabili secondo i nostri regolamenti nazionali sull'ambiente. Non smaltire i materiali di imballaggio con i rifiuti domestici o con altri rifiuti. Portarli ai punti di raccolta del materiale di imballaggio previsti dalle autorità locali.

Estimado Cliente,

Gracias por confiar en este producto.

Nuestro objetivo es que pueda usar de manera óptima y eficiente este producto respetuoso con el medio ambiente fabricado en nuestras modernas instalaciones bajo condiciones óptimas en cuanto a la calidad global.

Le aconsejamos leer este manual de instrucciones en su totalidad antes de usar el horno y guardarlo para siempre para que las características del horno incorporado que ha adquirido permanezcan igual que el primer día durante mucho tiempo.

Nota: Este manual de instrucciones sirve para varios modelos. Puede que su aparato no cuente con algunas de las funciones descritas en el manual.

Las imágenes del producto son esquemáticas.

Este producto ha sido fabricado en instalaciones modernas respetuosas con el medio ambiente sin perjudicar la naturaleza.

Los productos con un asterisco (*) son opcionales.

«Cumple con la normativa AEEE»

Contenidos

Advertencias importantes.....	85
Conexión eléctrica.....	97
Conexión de gas.....	98
Presentación del aparato.....	102
Accesorios.....	103
Especificaciones técnicas.....	104
Instalación del aparato.....	104
Panel de control.....	110
Uso del horno.....	112
Uso de la parrilla.....	113
Manual para encender el horno.....	114
Uso del asador de pollo.....	114
Tipos de programas.....	115
Recomendaciones acerca de la cocción.....	115
Tabla de cocción.....	116
Mantenimiento y limpieza.....	117
Limpieza del cristal del horno.....	117
Limpieza y montaje de la puerta del horno.....	118
Paredes catalíticas.....	119
Recambio de la luz del horno.....	120
Solución de problemas.....	121
Reglas de manipulación.....	123
Recomendaciones para el ahorro de energía.....	123
Eliminación respetuosa con el medio ambiente.....	124
Información de embalaje.....	124

ADVERTENCIAS IMPORTANTES

1. La instalación y la reparación siempre deben ser realizadas por el **“SERVICIO AUTORIZADO”**. El fabricante no se hace responsable de las operaciones realizadas por personas no autorizadas.

2. Lea atentamente estas instrucciones de funcionamiento. Solo de esta manera puede usar el dispositivo de forma segura y correcta.

3. El horno debe usarse de acuerdo con las instrucciones de funcionamiento.

4. Mantenga a los niños menores de 8 años y a las mascotas alejados cuando opere.

5. **Las partes accesibles pueden calentarse durante el uso. Los niños deben mantenerse lejos.**

6. **ADVERTENCIA: Peligro de incendio: no almacene artículos que en las superficies de cocción.**

7. **ADVERTENCIA: El aparato se calienta durante su uso. Debe tenerse cuidado de no tocar los calentadores del interior del horno.**

8. Las condiciones de configuración de este dispositivo se especifican en la etiqueta. (O en la placa de datos)

9. Las partes accesibles pueden estar calientes cuando se usa la parrilla. Los niños pequeños deberían mantenerse lejos.

10. **ADVERTENCIA: Este aparato está diseñado para cocinar. No debe utilizarse para otros propósitos, como para calefacción.**

■ ■ ■

11. Para limpiar el aparato, no use limpiadores de vapor.

12. Asegúrese de que la puerta del horno esté completamente cerrada después de colocar los alimentos dentro del horno.

13. NO TRATE NUNCA de apagar el fuego con agua. Solo apague el circuito del dispositivo y luego cubra la llama con una cubierta o una manta ignífuga.

14. ADVERTENCIA: Los niños menores de 8 años de edad deben mantenerse lejos menos que sean supervisados continuamente.

15. Debe evitarse tocar los elementos calientes.

16. PRECAUCIÓN: El proceso de cocción deberá ser supervisado. El proceso de cocción siempre deberá ser supervisado.

17. Este aparato puede ser utilizado por niños de 8 años y mayores y las personas con capacidades físicas, sensoriales o mentales reducidas o falta de experiencia y conocimiento, si se les ha dado la supervisión o instrucciones relativas al uso del aparato de una manera segura y comprenden los peligros involucrados. Los niños no deben jugar con el aparato. Los niños no deberán realizar la limpieza y el mantenimiento sin estar vigilados por parte de un adulto.

18. Este dispositivo ha sido diseñado solo para uso doméstico.

19. Los niños no deben jugar con el aparato. La limpieza o el mantenimiento al aparato por parte del usuario no debe ser realizado por niños a menos que sean mayores de 8 años y sean supervisados por adultos.

20. Mantenga el aparato y su cable de alimentación lejos de niños menores de 8 años.

21. Coloque cortinas, tul, papel o cualquier material inflamable (inflamable) lejos del aparato antes de comenzar a usarlo. No coloque materiales inflamables encima o dentro del aparato.

22. Mantenga abiertos los canales de ventilación.

23. El aparato no es adecuado para su uso con un temporizador externo o un sistema de control remoto por separado.

24. No caliente latas cerradas ni frascos de vidrio. La presión puede llevar a los tarros a explotar.

25. El asa del horno no es un colgador de toallas. No cuelgue toallas, etc. en el asa del horno.

26. No coloque las bandejas del horno, platos u hojas de aluminio directamente sobre la base del horno. El calor acumulado puede dañar la base del horno.

27. Mientras coloca alimentos o retira alimentos del horno, etc., siempre use guantes resistentes al calor.

28. No use el producto estando bajo medicación y/o bajo la influencia del alcohol, que puede afectar su capacidad de buen juicio.

■ ■ ■ ■

29. Tenga cuidado al usar alcohol en sus alimentos. El alcohol se evaporará a altas temperaturas y puede prenderse fuego y causar un incendio si entra en contacto con superficies calientes.

30. Después de cada uso, verifique si la unidad está apagada.

31. Si el aparato está defectuoso o tiene un daño visible, no lo haga funcionar.

32. No toque el enchufe con las manos mojadas. No tire del cable para desconectarlo, siempre sostenga el enchufe.

33. No use el aparato con el cristal de la puerta frontal retirado o roto.

34. Coloque el papel de hornear junto con la comida en un horno precalentado poniéndolo dentro de una olla o en un accesorio de horno (bandeja, parrilla de alambre, etc.).

35. No coloque objetos que puedan alcanzar los niños en el aparato.

36. Es importante colocar la parrilla de alambre y la bandeja correctamente en los estantes de alambre y/o colocar correctamente la bandeja en el estante. Coloque la parrilla o bandeja entre dos rieles y asegúrese de que esté equilibrada antes de poner comida sobre ella.

37. Contra el riesgo de tocar los elementos del calentador del horno, retire las partes sobrantes del papel de hornear que cuelgan del accesorio o contenedor.

38. Nunca lo use a temperaturas de horno superiores a la temperatura de uso máxima indicada en su papel de hornear. No coloque el papel de hornear en la base del horno. Con el fin de evitar el riesgo de tocar las partes calientes y quemadores del horno, retire el exceso de papel de hornear colgante del accesorio o contenedor.

39. Cuando la puerta esté abierta, no coloque ningún objeto pesado sobre la puerta ni permita que los niños se sienten en ella. Puede hacer que el horno vuelque o que las bisagras de la puerta se dañen.

40. Los materiales de embalaje son peligrosos para los niños. Mantenga los materiales de embalaje lejos del alcance de los niños.

41. No utilice limpiadores abrasivos ni raspadores metálicos afilados para limpiar el cristal, ya que los arañazos que pueden ocurrir en la superficie del cristal de la puerta pueden hacer que el cristal se rompa.

42. El usuario no debe transportar/levantar el horno solo.

43. Durante el uso, las superficies internas y externas del horno se calientan. Cuando abra la puerta del horno, retroceda para evitar que salga vapor caliente del interior. Hay riesgo de quemaduras.

44. No coloque objetos pesados cuando la puerta del horno esté abierta, existe el riesgo de que se voltee.

45. El usuario no debe dislocar la resistencia durante la limpieza. Puede causar una descarga eléctrica.

■ ■ ■ [Barra decorativa]

46. El suministro del horno se puede desconectar durante cualquier trabajo de construcción en el hogar. Después de completar el trabajo, vuelva a conectar el horno debe ser hecho por un servicio autorizado.

47. Para evitar el sobrecalentamiento, el aparato no debe instalarse detrás de una cubierta decorativa.

48. Apague el aparato antes de quitar las protecciones. Después de limpiar, instale las protecciones de acuerdo con las instrucciones.

49. El punto de fijación del cable debe estar protegido.

Seguridad eléctrica

1. Conecte el aparato a un enchufe con conexión a tierra protegido por un fusible que cumpla con los valores especificados en el cuadro de especificaciones técnicas.

2. Haga que un electricista autorizado instale un equipo de puesta a tierra. Nuestra empresa no será responsable por los daños que se incurrirán debido al uso del producto sin conexión a tierra de acuerdo con las reglamentaciones locales.

3. Los interruptores automáticos del horno deben colocarse de modo que el usuario final pueda alcanzarlos cuando el horno esté instalado.

4. El cable de alimentación (el cable con enchufe) no debe entrar en contacto con las partes calientes del dispositivo.

5. Si el cable de suministro de energía (el cable con enchufe) está dañado, este cable debe ser reemplazado por el fabricante o su agente de servicio o un personal igualmente calificado para evitar una situación peligrosa.

6. NUNCA lave el producto rociando o vertiendo agua sobre él! Existe el riesgo de electrocución.

7. ADVERTENCIA: Para evitar descargas eléctricas, asegúrese de que el circuito del dispositivo esté abierto antes de cambiar la lámpara.


8. ADVERTENCIA: Corte todas las conexiones del circuito de suministro antes de acceder a las terminales.

9. No use cables cortados o dañados o cables de extensión que no sean el cable original.

10. Asegúrese de que no haya líquido o humedad en el tomacorriente donde está instalado el enchufe del producto.

11. La superficie posterior del horno también se calienta cuando se opera el horno. Las conexiones eléctricas no deben tocar la superficie posterior, de lo contrario, las conexiones podrían dañarse.

12. No apriete los cables de conexión a la puerta del horno y no los aplique sobre superficies calientes. Si el cable se derrite, esto puede provocar un cortocircuito en el horno e incluso un incendio.



13. Desenchufe la unidad durante la instalación, mantenimiento, limpieza y reparación.

14. Si el cable de alimentación está dañado, debe ser reemplazado por su fabricante o servicio técnico autorizado o cualquier otro personal calificado en el mismo nivel, para evitar cualquier situación peligrosa.

15. Asegúrese de que el enchufe esté insertado firmemente en el tomacorriente de la pared para evitar chispas.

16. No use limpiadores a vapor para limpiar el aparato, de lo contrario puede ocurrir una descarga eléctrica.

17. Se requiere un interruptor omnipolar capaz de desconectar la fuente de alimentación para la instalación. La desconexión de la fuente de alimentación debe proporcionarse con un interruptor o un fusible integrado instalado en una fuente de alimentación fija de acuerdo con el código de construcción.

18. El dispositivo está equipado con un cable **tipo “Y”**.

19. Las conexiones fijas se deben conectar a una fuente de alimentación que permita la desconexión omnipolar. Para dispositivos con categoría de sobretensión por debajo de III, el dispositivo de desconexión se conectará a la fuente de alimentación fija de acuerdo con el código de cableado.

Seguridad con gas

1. Este aparato no está conectado a aparatos de evacuación de productos en combustión. Este aparato debe estar conectado e instalado de acuerdo con las normas de instalación vigentes. Se deben considerar las condiciones con respecto a la ventilación.


2. Cuando se usa un aparato de cocina a gas: humedad, calor y productos quemados se pueden generar en la habitación. En primer lugar, asegúrese de que la estufa esté bien ventilada cuando utilice el electrodoméstico y mantenga aberturas de ventilación naturales o instale un equipo de ventilación mecánica.

3. Después de usar el artefacto durante un período prolongado, es posible que se requiera ventilación adicional. Por ejemplo, abra una ventana o ajuste una velocidad más alta para la ventilación mecánica, si la hay.

4. Este electrodoméstico debe usarse solo en lugares bien ventilados de acuerdo con la normativa vigente. Lea el manual antes de instalar o usar este producto.

5. Antes de colocar el dispositivo, asegúrese de que las condiciones de la red local (tipo de gas y presión de gas) cumplan con los requisitos del dispositivo.

6. Todo tipo de operaciones a realizar en la instalación de gas debe ser realizado por personas autorizadas y competentes.



7. Este aparato está ajustado para el gas que se indica en la placa de características. Si tiene que usar su producto con un tipo de gas diferente, debe solicitar el servicio autorizado para la conversión.

8. Para una operación adecuada, la campana, el tubo de gas y la abrazadera deben reemplazarse periódicamente de acuerdo con las recomendaciones del fabricante y cuando sea necesario.

9. El gas debería arder bien en los productos a base de gas. El gas de combustión bien puede entenderse a partir de la llama azul y la combustión continua. Si el gas no se quema lo suficiente, se puede generar monóxido de carbono (CO). El monóxido de carbono es un gas incoloro, inodoro y muy tóxico, incluso pequeñas cantidades tienen un efecto letal.

10. Pregunte a su suministro de gas local sobre los números de teléfono para emergencias relacionadas con el gas y las medidas que se tomarán cuando se detecte el olor a gas.

Qué hacer cuando se detecta olor a gas

1. No use llamas abiertas y no fume.
2. No opere ningún interruptor eléctrico. (Por ejemplo; interruptor de la lámpara o timbre de la puerta)
3. No use el teléfono ni el teléfono móvil.
4. Abra las puertas y ventanas.
5. Cierre todas las válvulas de los aparatos que utilizan gas y los contadores de gas.
6. Llame a los bomberos desde un teléfono fuera del hogar.
7. Verifique todas las mangueras y sus conexiones en busca de fugas. Si aún huele a gas, salga de la casa y advierta a sus vecinos.
8. No ingrese a la casa hasta que las autoridades aclaren que es seguro.



Uso previsto

1. Este aparato está diseñado para uso en el hogar. El uso comercial del aparato no está permitido.
2. Este aparato solo se puede usar para cocinar. No debe usarse para otros fines, como calentar una habitación.
3. Este aparato no debe usarse para calentar placas debajo de la parrilla, para secar la ropa o las toallas colgándolas en el asa o con fines de calefacción.
4. El fabricante no asume ninguna responsabilidad por los daños debidos al mal uso o mal manejo.
5. La parte del horno de la unidad se puede usar para descongelar, asar, freír y asar alimentos.
6. La vida operativa del producto que ha comprado es de 10 años. Este es el período durante el cual el fabricante proporciona los recambios necesarios para el funcionamiento de este producto según lo definido.

Conexión Eléctrica

Debe instalar y conectar el horno en su sitio correctamente según las instrucciones del fabricante de la mano de un servicio técnico autorizado.

Debe instalar el aparato en una caja para horno con mucha ventilación.

Las conexiones eléctricas del aparato debe llevarse a cabo únicamente con enchufes con conexión a tierra, instalados conforme las normativas. Contacte con un electricista autorizado si no hay ningún enchufe con conexión a tierra donde vaya a colocarse el aparato. El fabricante no se responsabilizará de ninguna manera por los daños causados por la conexión de enchufes sin conexión a tierra al aparato.

El enchufe del horno debe tener conexión a tierra. Asegúrese de que el enchufe tenga conexión a tierra. El enchufe debe estar ubicado en un lugar al que pueda accederse después de la instalación.

El horno ha sido fabricado con 220-240 V 50/60 Hz. El aparato cuenta con corriente alterna, para el cual se necesita un fusible de 16 Amp. Si la corriente de la red es diferente a estos valores indicados, consulte con un electricista o un servicio técnico autorizado.

Cuando necesite sustituir el fusible eléctrico, por favor, asegúrese de que la conexión eléctrica se lleve a cabo de la siguiente manera:

- Cable fásico marrón (a terminal activo)
- Cable azul hacia la terminal neutra
- Cable amarillo-verde hacia la terminal de tierra

Los conmutadores de desconexión del horno deben estar en un sitio accesible para el usuario final cuando el horno esté en su sitio.

El cable de alimentación (cable de enchufado) no debe tocar las zonas calientes del aparato.

Si el cable de alimentación (cable de enchufado) está dañado, el importador, su agente de servicio o personal igualmente cualificado deberán sustituirlo para evitar situaciones de peligro.

Conexión De Gas

ADVERTENCIA: Antes de comenzar cualquier trabajo relacionado con la instalación de gas, cierre el suministro de gas. Riesgo de explosión.

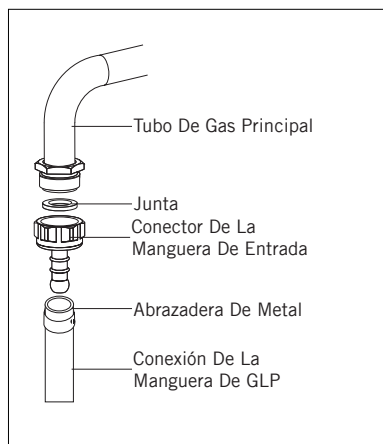
ADVERTENCIA: La manguera de gas y el cable de alimentación del aparato no deberán estar cerca de zonas calientes, como por ejemplo la parte posterior del aparato. Debe conectar el tubo de gas haciendo giros de grado amplios para evitar la posibilidad de rotura. Mover el aparato cuya conexión de gas se está llevando a cabo puede causar fugas de gas.

ADVERTENCIA: Nunca use mecheros, cerillas cigarrillos encendidos o materiales inflamables similares mientras realice el control de fugas de gas.

Conecte el aparato a un horno de gas de la manera más corta y de manera que se evite cualquier filtración. Por seguridad, la manguera utilizada debe tener al menos 125 mm como máximo y 40 cm como mínimo.

Aplique jabón de burbujas en los puntos de conexión. Si se produce cualquier filtración/fuga se producirá espume en la zona enjabonada.

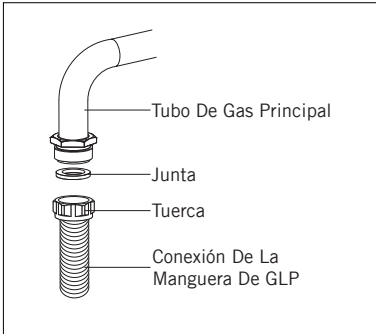
Conexión GLP;



Para la conexión de GLP (cilindro), coloque la abrazadera de metal en la manguera que sale del cilindro de GLP. Fije un borde de la manguera en el conector de entrada de la manguera detrás del aparato empujando en el extremo a través del calentamiento de la manguera en agua hervida. Después, ponga la abrazadera hacia la parte final de la manguera y apriete con un destornillador. El conector de entrada de la junta y la manguera necesarios para la conexión son como se muestra en la imagen a continuación.

NOTA: El regulador colocado en el cilindro de GLP debe tener la característica 300 mmSS.

Conexión gas natural;



ADVERTENCIA: La conexión de gas natural solo se debe hacer a través del servicio autorizado.

Para la conexión de gas natural, coloque la junta en la tuerca en el extremo de la manguera de conexión de gas natural. Para instalar la manguera en la tubería principal de gas, gire la tuerca. Complete la conexión al hacer la revisión de fugas de gas.

Ventilacion de la habitación

El aire necesario para la combustión se recibe del aire de la habitación y los gases emitidos se dan directamente en la habitación. Para un funcionamiento seguro de su producto, una buena ventilación de la sala es una condición previa. Si no hay ninguna ventana o espacio para ser utilizados para la ventilación de la habitación, se debe instalar una ventilación adicional. Sin embargo, si la habitación tiene una puerta hacia el exterior, no es necesario realizar los orificios de ventilación.

Tamaño de la habitación	Apertura de ventilación
Menor de 5 m ³	mín. 100 cm ²
Entre 5 m ³ - 10 m ³	mín. 100 cm ²
Mayor de 10 m ³	no necesario
En sótano o bodega	mín 65 cm ²

Disminución del ajuste del caudal de gas para los grifos de la encimera

1. Encienda el quemador que se va a ajustar y gire la perilla a la posición reducida.

2. Retire la perilla del grifo de gas.

3. Use un destornillador de tamaño adecuado para ajustar el tornillo de ajuste de la tasa de flujo. Para GLP (panel de butano-pro) gire el tornillo en el sentido de las agujas del reloj. Para el gas natural, debe girar el tornillo hacia la izquierda una vez.

“La longitud normal de una llama recta en la posición reducida debe ser de 6-7 mm”.

4. Si la llama es más alta que la posición deseada, gire el tornillo en el sentido de las agujas del reloj. Si es más pequeña, gírela en sentido antihorario.

5. Para el último control, lleve el quemador tanto a llama alta como a posiciones reducidas y compruebe si la llama está encendida o apagada.

Según el tipo de grifo de gas utilizado en su electrodoméstico, la posición del tornillo de ajuste puede variar.

Para ajustar su horno según para el tipo de gas, realice el ajuste para la llama reducida cuidadosamente girando con un destornillador pequeño como se muestra a continuación en el tornillo en el medio de las llaves de paso de gas, así como los cambios de la boquilla. (figura 1 y 2)

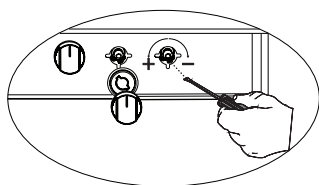


Figura 1

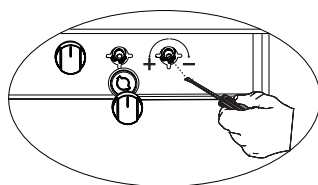


Figura 2

Extracción de los quemadores inferior y superior e instalación del inyector en el horno de gas

Extracción del quemador superior:

Con la ayuda de un destornillador, quite el tornillo como se muestra en la figura 3. Como se muestra en la figura 4, retire el quemador de su lugar tirando de él hacia usted. Como se muestra en la figura 5, quite el inyector en el cojinete con una llave de vaso. Para volver a colocar el quemador, aplique el proceso de eliminación de forma inversa.

Figura 3

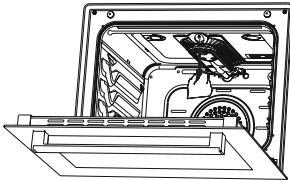


Figura 4

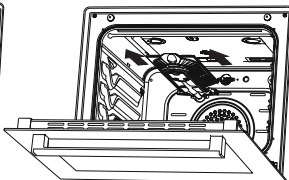
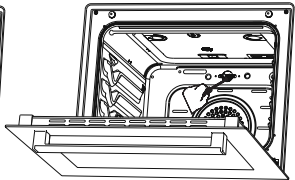


Figura 5



Extracción del quemador inferior:

La puerta inferior del quemador se ha fijado con dos tornillos. Como se muestra en la figura 6, quítelo con la ayuda de un destornillador. Retire la puerta tirando hacia arriba como se muestra en la figura 7. Retire el quemador de su lugar tirando de él hacia usted, como se muestra en la figura 8. Como se muestra en la figura 9, quite el inyector en el cojinete con una llave de vaso. Para reemplazar el quemador, aplique el proceso de eliminación de forma inversa.

Figura 6

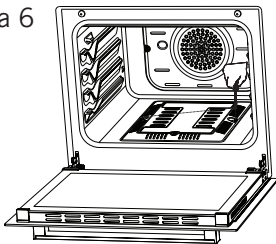


Figura 7

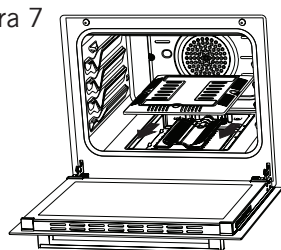


Figura 8

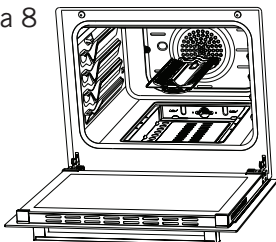
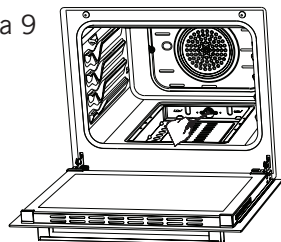
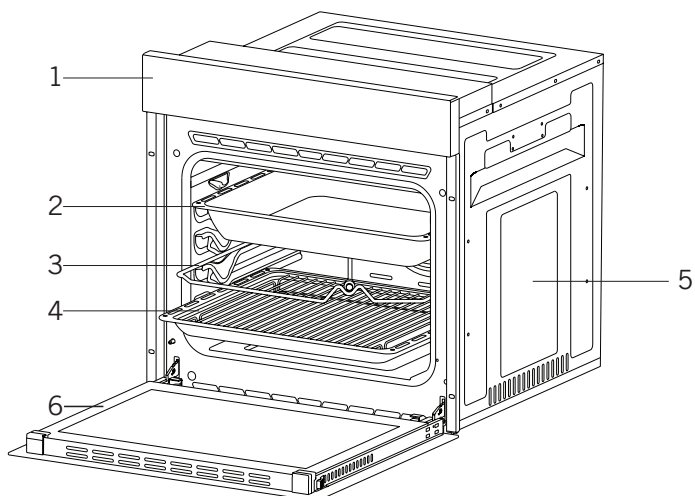


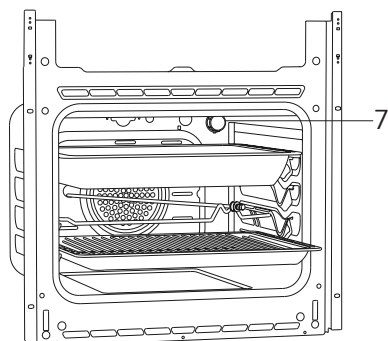
Figura 9



PRESENTACIÓN DEL APARATO



1. Panel de control
2. Bandeja profunda *
3. Pincho para asar pollo *
4. Rejilla
5. Rejillas laterales
6. Puerta del horno



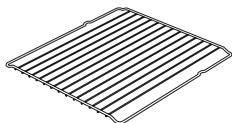
7. Lámpara

Accesorios



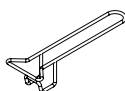
Bandeja profunda *

Se utiliza para pastelería, fritas y guiso. También puede utilizarla como recipiente de acumular aceite.



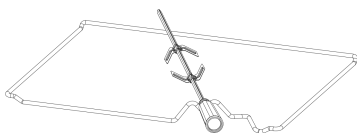
Rejilla

Se utiliza para asar u hornear alimentos en el estante deseado.



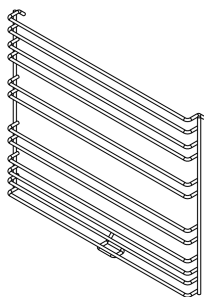
Asa de la bandeja *

Se usa para sostener bandejas calientes.



Pincho para asar pollo

El pincho para asar pollo se utiliza con la puerta cerrada. La temperatura de calentamiento puede modificarse en función de las necesidades. Es mejor cocinar sólo trozos de tamaño medio en el pincho para asar pollo.



Rejillas laterales

Situadas en ambos lados de la cavidad del horno, sostienen rejillas de metal y bandejas de goteo.

NOTA: Las bandejas y rejillas del horno no son adecuadas para el contacto directo con los alimentos. Utilice utensilios de cocina adecuados o papel de horno.

Especificaciones Técnicas

Especificaciones	Horno incorporado de 60 cm
Potencia de la lámpara	15-25 W
Termostato	100-250 / Máx °C
Calefactor de la parrilla	2000 W
Suministro de corriente	220-240 V 50/60 Hz.

Especificaciones del quemador	G20,20 mbar G25,25 mbar			G20,25 mbar		G30,28-30 mbar G31,37 mbar		G30,37 mbar		G30,50 mbar	
	Gas natural			Gas natural		GLP		GLP		GLP	
Quemador de la parrilla	Inyector	1,00	mm	0,92	mm	0,70	mm	0,65	mm	0,60	mm
	Flujo de gas	0,190	m³/h	0,190	m³/h	145	g/h	145	g/h	145	g/h
	Potencia	2,00	kW	2,00	kW	2,00	kW	2,00	kW	2,00	kW
Quemador del horno	Inyector	1,10	mm	1,00	mm	0,75	mm	0,70	mm	0,65	mm
	Flujo de gas	0,238	m³/h	0,238	m³/h	182	g/h	182	g/h	182	g/h
	Potencia	2,50	kW	2,50	kW	2,50	kW	2,50	kW	2,50	kW

ADVERTENCIA: Los valores de diámetro escritos en el inyector se especifican sin una coma. Por ejemplo: el diámetro de 1,70 mm se especifica como 170 en el inyector.

Las especificaciones técnicas pueden modificarse sin previo aviso para mejorar la calidad del producto.

Los valores proporcionados con el aparato o los documentos adjuntos son mediciones realizadas por laboratorios según los estándares correspondientes. Estos valores pueden variar según el uso y las condiciones ambientales.

Las cifras de esta guía son esquemáticas y puede que no coincidan exactamente con el producto.

INSTALACIÓN DEL APARATO

Asegúrese de que la instalación eléctrica sea apta para el funcionamiento del aparato. Si no, llame a un electricista y a un fontanero para realizar los arreglos necesarios. La firma fabricante no se responsabilizará por los daños que puedan ocasionarse debido al uso por parte de personas no autorizadas y la garantía quedará invalidada.

ADVERTENCIA: Es la responsabilidad del cliente preparar el emplazamiento en el que vaya a colocarse el aparato, así como el suministro eléctrico.

ADVERTENCIA: Deberán respetarse las normativas eléctricas locales durante la instalación del aparato.

ADVERTENCIA: Compruebe que no haya daños en el producto antes de instalarlo. No instale el producto si está dañado. Los productos dañados suponen un riesgo para su seguridad.

Advertencias importantes para la instalación:

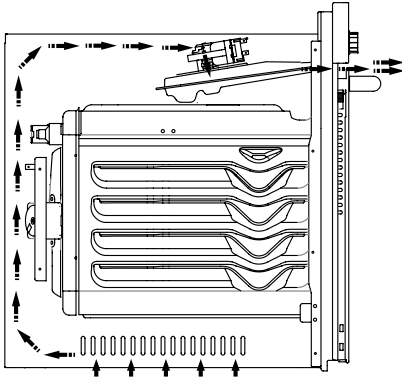


Figura 10

El ventilador de refrigeración extraerá vapor adicional para evitar el sobrecalentamiento de las superficies externas durante el funcionamiento del horno. Esta es una condición necesaria para una mejor cocción y funcionamiento del aparato. El ventilador de refrigeración seguirá funcionando después de finalizar la cocción. El ventilador se detendrá automáticamente después de que la refrigeración haya finalizado. Debe dejar un espacio detrás del lugar donde coloque

el aparato para un funcionamiento bueno y eficiente. No ignore este espacio, puesto que es necesario para el funcionamiento del sistema de ventilación del aparato.

Colóquelo en el sitio correcto

El producto se ha diseñado para montarse en encimeras comerciales. Deje una distancia de seguridad entre el producto y las paredes o los muebles de la cocina. Vea la ilustración en la siguiente página para obtener las distancias adecuadas. (Los valores son en mm)

- Las superficies utilizadas, las láminas sintéticas y adhesivos deben ser resistentes al calor. (mínimo 100 °C).
- Los armarios de cocina deben estar anivelados y fijados con el producto.
- Si hay un cajón debajo del horno, coloque una rejilla entre ambos.

ADVERTENCIA: No coloque el producto al lado de frigoríficos o refrigeradores. El calor emitido por el producto aumenta el consumo de energía de los aparatos de refrigeración.

ADVERTENCIA: No use la puerta y/o asa para llevar o mover el aparato.

Instalación y montaje del horno incorporado de 60 cm

Deberá escoger el lugar para la instalación del producto antes de empezar la instalación.

No instale el aparato en lugares donde haya fuertes corrientes de aire.

Para el traslado del aparato serán necesarias, al menos, dos personas. Para evitar dañar el suelo, no arrastre el aparato.

Retire todos los materiales de transporte de dentro y fuera del producto. Retire todos los materiales del producto.

Instalación debajo del mostrador

El armario del horno debe tener las dimensiones indicadas en la figura 11.

Para poder alcanzar la ventilación necesaria, deberá dejar un espacio en la parte posterior del armario tal como se indica en la imagen.

Después de montarlo, el espacio entre la parte inferior y superior del mostrador se indica en la figura 14 con «A». Es para la ventilación y no debe cubrirlos.

Instalación en un armario elevado

El armario del horno debe tener las dimensiones indicadas en la figura 13.

Deberán dejarse los espacios con las dimensiones indicadas en la imagen en la parte posterior del armario y las partes superiores e inferiores para obtener la ventilación necesaria.

Requisitos de instalación

Las dimensiones del producto se indican en la figura 12.

Las superficies de los muebles para el montaje y los materiales de montaje deben tener una resistencia de temperatura mínima de 100 °C.

Deberá fijar el armario de montaje. La superficie debe ser plana para evitar que el aparato se incline.

La base del armario debe ser lo suficientemente fuerte como para soportar una carga de 60 kg.

Colocar y fijar el horno

Coloque el horno en el armario con dos o más personas.

Asegúrese de que el marco del horno y el borde frontal de los muebles coincidan de manera uniforme.

El cable de alimentación no debe estar debajo del horno, apretado entre el horno y los muebles o doblarse.

Fije el horno a los muebles con los tornillos incluidos con el producto. Los tornillos deben colocarse tal como se indica en la figura 14 pasándolos a través de plásticos fijados en el marco del aparato. No apriete los tornillos en exceso. De lo contrario, puede que las cavidades de los tornillos se desgasten.

Compruebe que el horno no se mueva después de montarlo. Si no monta el horno según las instrucciones, hay riesgo de que se incline durante el funcionamiento.

Conexión eléctrica

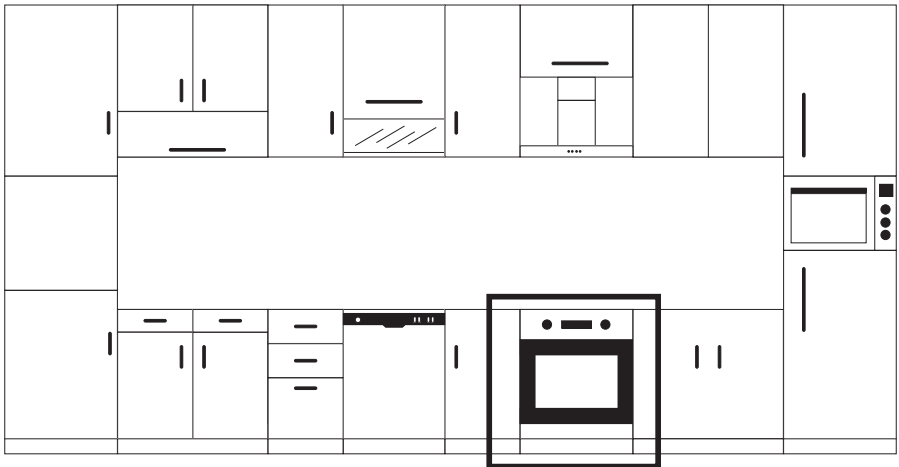
El lugar de instalación del producto debe contar con la instalación eléctrica adecuada.

La tensión de red debe ser compatible con los valores indicados en la placa de características del aparato.

La conexión del producto deberá realizarse según las normativas eléctricas locales y nacionales.

Antes de empezar la instalación, desconecte la red eléctrica. No conecte el aparato a la red hasta haber finalizado su instalación.

Instalación



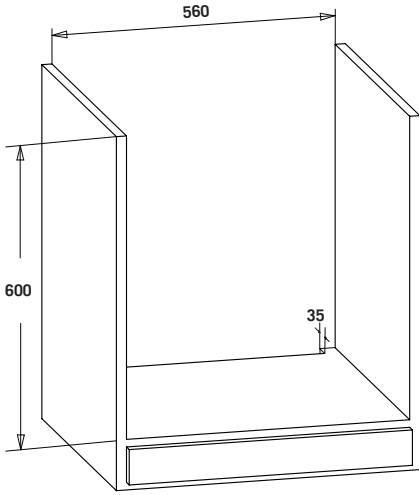


Figura 11

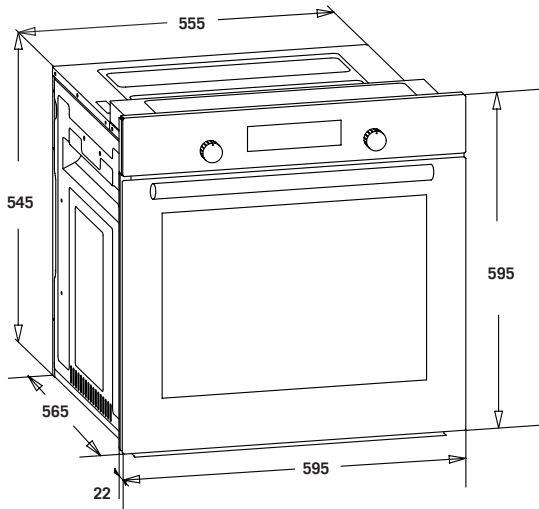
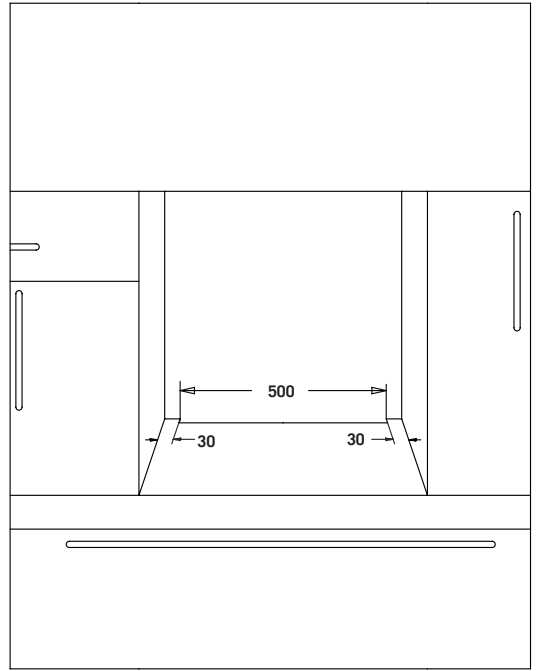


Figura 12

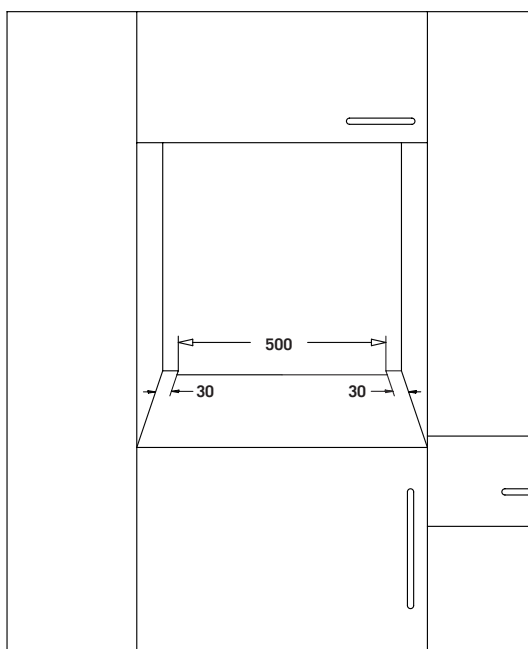
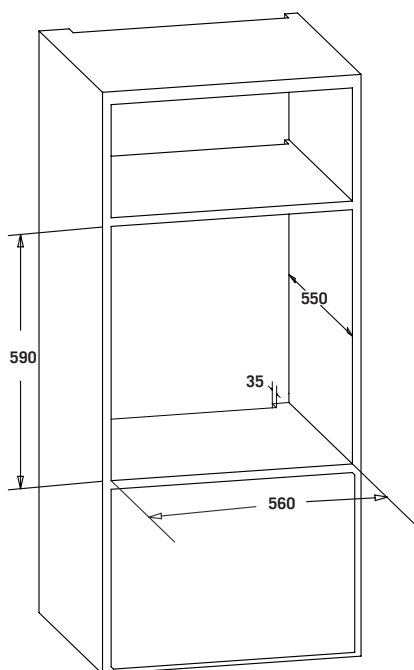
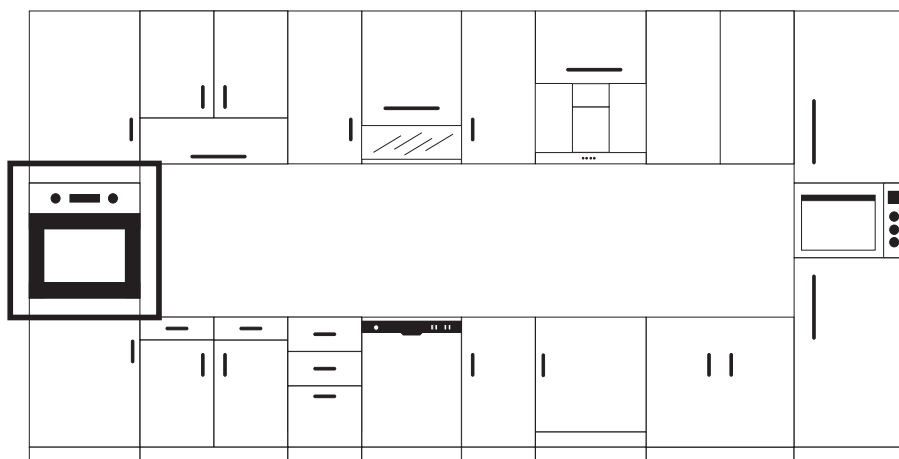


Figura 13

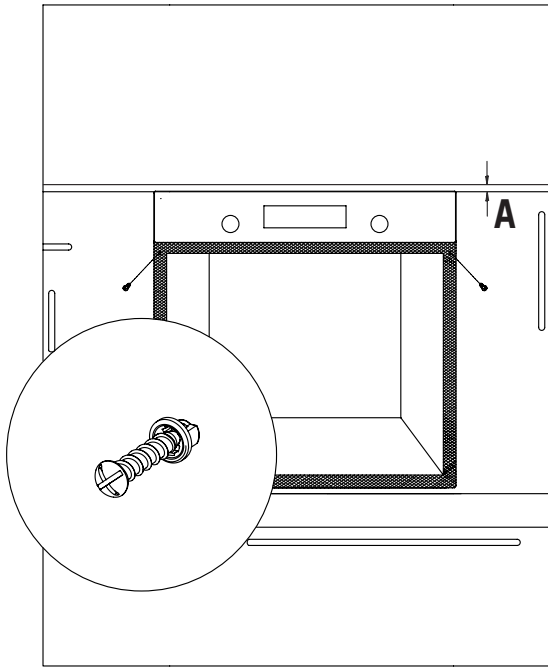
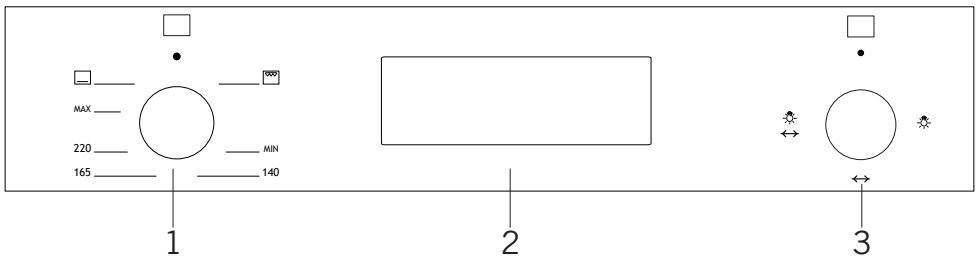


Figura 14

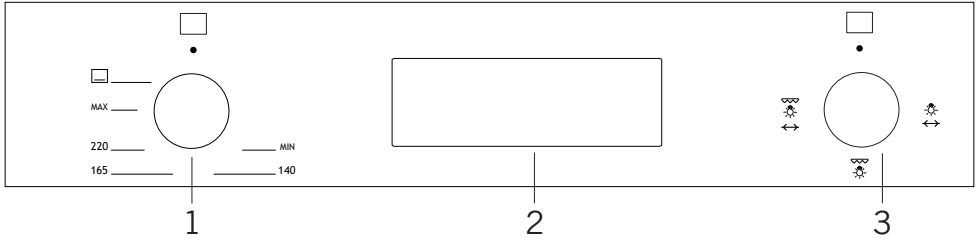
PANEL DE CONTROL

Imagen Del Panel De Control Del Horno De Gas Incorporado



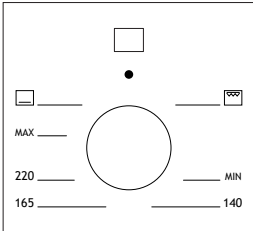
1. Botón de función
2. Temporizador mecánico o digital
3. Termostato

Imagen Del Panel De Control Del Horno De Mezcla Incorporado

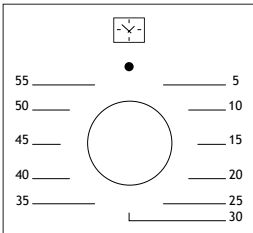


1. Botón de función
2. Temporizador mecánico o digital
3. Termostato

ADVERTENCIA: El panel de mandos de arriba es solo para fines ilustrativos. Considere el panel de mandos en su dispositivo.



Botón de control del horno Con él se controlan los quemadores a gas del horno (para el quemador termostático y el quemador superior). También puede utilizar la llave de encendido debajo de los mandos para encender los quemadores.



Botón del minuterero mecánico *: Ayuda a establecer el tiempo de cocción de los alimentos que se cocinarán en el horno. Ver tabla de tiempos de cocción.

USO DEL HORNO

Uso inicial del horno

Deberá hacer lo siguiente cuando use el horno por primera vez y lleve a cabo las conexiones necesarias según las instrucciones:

1. Retire información de diseño y piezas de recambio de dentro del horno. Si los hay, retire el folio de protección del lado frontal del aparato.

2. Retire el polvo y los restos del embalaje limpiando el interior con un paño húmedo. El interior del horno debe estar vacío. Enchufe el cable del aparato en la toma de corriente.

3. Ajuste el botón del termostato a la temperatura más alta (Máx. 250 °C) y haga funcionar el horno durante 30 minutos con la puerta cerrada. Mientras, puede que se produzca un poco de humo y mal olor, lo que es normal.

4. Limpie el interior del horno con agua ligeramente templada con detergente después de que se haya enfriado. Luego, séquelo con un paño limpio. Ahora podrá usar el horno.

Uso normal del horno

1. Los quemadores superior (parrilla) e inferior de este horno de gas tan sólo podrán usarse uno por separado cada vez. Cuando quiera usar el quemador escogido, deberá pulsar primero la perilla de la llave y esperar 5 segundos para purgar el aire de los tubos. Entonces podrá encender el quemador con el sistema de encendido automático (opcional) o con una cerilla.

2. Una vez que el quemador esté encendido, deberá seguir sosteniendo la perilla de 10 a 15 segundos para que el sistema de supervisión de las llamas funcione.

3. Cuando el quemador esté encendido y en pleno funcionamiento uno o dos minutos después, entonces podrá cerrar la puerta del horno.

4. Podrá fijar el tiempo de cocción como desee con el botón de los modelos del temporizador mecánico. El temporizador desactivará los calefactores cuando el tiempo haya finalizado y emitirá un pitio como advertencia auditiva.

5. El temporizador desactivará los calefactores y emitirá una señal auditiva cuando el tiempo de cocción haya finalizado de acuerdo a la información introducida en los modelos con temporizador digital.

6. El sistema refrigerante del aparato seguirá funcionando después de completar la cocción. No corte el suministro eléctrico del aparato en esta situación, ya que es necesario para que éste se enfríe. El sistema se apagará una vez el enfriamiento se haya completado.

Uso De La Parrilla

1. Cuando coloque la parrilla en el estante superior, la comida en la parrilla no tocará la parrilla.
2. Puede precalentar durante 5 minutos mientras asa a la parrilla. Si es necesario, puede voltear la comida boca abajo.
3. La comida debe estar en el centro de la parrilla para proporcionar el máximo flujo de aire a través del horno.

Para encender la parrilla:

1. Coloque el botón de función sobre el símbolo de la parrilla.
2. Luego, ajústelo a la temperatura deseada de la parrilla.

Para apagar la parrilla:

Coloque el botón de función en la posición de apagado.

ADVERTENCIA: Mantenga la puerta del horno cerrada mientras cocina a la parrilla. (parrilla eléctrica)

ADVERTENCIA: Mantenga la puerta del horno abierta mientras cocina a la parrilla. (parrilla de gas)

Uso De La Chapa Deflectora De La Parrilla *

1. Coloque la protección térmica bajo el panel de control abriendo la puerta frontal del horno. (figura 16)
2. Coloque las dos lengüetas de fijación en la protección térmica en las dos ranuras debajo del panel de control, luego fíjelas en el sitio entre el horno y la puerta interior cerrando la puerta cuidadosamente. (figura 17)
3. Es importante que la puerta esté abierta con la distancia especificada cuando use la parrilla.
4. La protección térmica proporcionará una buena cocción a la vez que protege el panel de control y las perillas.

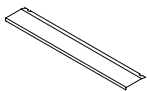


Figura 15

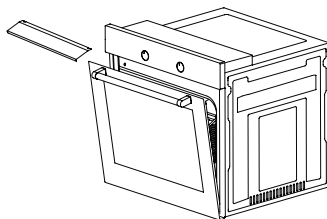


Figura 16

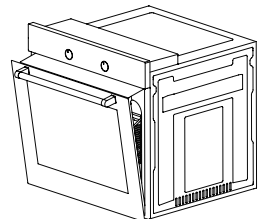


Figura 17

Manual Para Encender El Horno

Si se produce un corte de electricidad, podrá el quemador del horno manualmente:

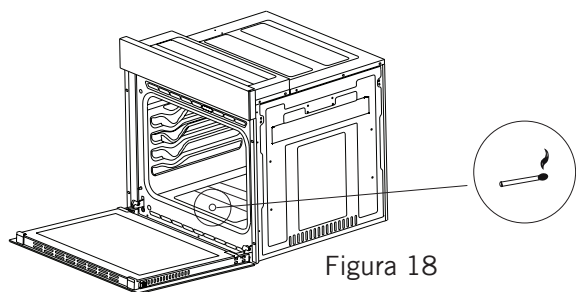


Figura 18

1. Abra la puerta del horno.
2. Tenga una cerilla o un mechero cerca del orificio del quemador tal como se indica en la imagen.
3. Una vez que el quemador esté encendido, cierre la puerta del horno.

NOTA: Si se apaga accidentalmente el quemador del horno, ponga el mando de control en la posición de apagado, abra la puerta del horno, ventile la cocina y espere durante al menos un minutos antes de intentar encender el quemador de nuevo.

ATENCIÓN! El horno incorpora un interruptor automático. Use esta función cuando se produzca un corte de electricidad.

Uso Del Asador De Pollo *

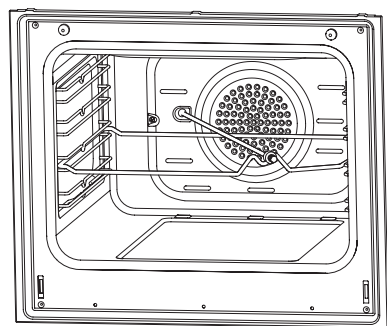
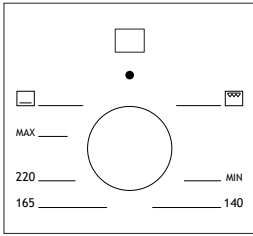


Figura 19







Coloque el asador en el marco. Deslice y gire el marco en el horno al nivel deseado. Ponga una sartén en la parte inferior para recoger los restos. Añada un poco de agua a la sartén para limpiarla más fácilmente. No olvide quitar la parte de plástico del asador. Después de terminar con la parrilla, atornille la asa de plástico a la brocheta y saque la comida del horno.

TÍPOS DE PROGRAMAS



El botón de programa: Ayuda a establecer con qué calentadores se cocinarán los alimentos colocados en el horno. Los tipos de programas de calefacción en este botón y sus funciones se detallan a continuación. Es posible que cada modelo no tenga todos los tipos de calentadores y, por lo tanto, los tipos de programas de estos calentadores.

A continuación se indican los tipos de programas de calefacción del aparato y explicaciones importantes para que pueda cocinar varios alimentos según sus gustos personales.

	Quemador del horno		Quemador de la parrilla
	Pollo asado		Lámpara
	Temporizador		Turbo ventilador *

Quemador del horno: Podrá recalentar o tostar platos con el calentamiento inferior. Es también el calentamiento más adecuado para conservar los alimentos.

Quemador de la parrilla: Esta función se usa para cocinar con la parrilla. Coloque los alimentos en la parrilla de alambre y ponga la parrilla de alambre en la rejilla superior del horno. Después, coloque la bandeja honda del horno debajo de la parrilla de alambre.

RECOMENDACIONES PARA LA COCCIÓN

En la siguiente tabla podrá encontrar información acerca de los tipos de alimentos que hemos probado y de los cuales hemos identificado sus valores de cocción en nuestros laboratorios. Los tiempos de cocción pueden variar según la tensión de red, la calidad, la cantidad y la temperatura del material a cocinar. Puede que los platos que pueda preparar con estos valores no sean de su gusto. Puede ajustar diferentes valores por su cuenta para obtener varios sabores y resultados a su gusto realizando pruebas.

ADVERTENCIA: Deberá precalentar el horno durante 7-10 minutos antes de colocar alimentos en él.

Tabla de Cocción

Alimentos	Función de cocción	Temperatura de cocción (°C)	Parrilla de cocción	Tiempo de cocción (mín.)
Pastel	Horno	170-180	3	35-45
Pastel pequeño	Horno	170-180	3	25-30
Tarta	Horno	180-200	3	35-45
Pastelería	Horno	180-190	3	20-25
Galletas	Horno	170-180	3	20-25
Tarta de manzana	Horno	180-190	3	50-70
Bizcocho	Horno	200/150 *	3	20-25
Pizza	Horno	180-200	3	20-30
Lasaña	Horno	180-200	3	25-40
Merengue	Horno	100	3	50
Pollo asado**	Parrilla	200-220	3	25-35
Pescado a la parrilla **	Parrilla	200-220	3	25-35
Bistec de ternera **	Parrilla	Máx	4	15-20
Albóndigas a la parrilla **	Parrilla	Máx	4	20-25

* No precalentar. Se recomienda que la primera mitad de la cocción sea a 200 °C, mientras que la otra mitad se lleve a cabo a 150 °C.

** Deberá dar la vuelta a los alimentos una vez transcurrida la mitad del tiempo de cocción.

MANTENIMIENTO Y LIMPIEZA

1. Retire el enchufe de la toma de corriente.
2. No limpie las piezas internas, el panel, las bandejas y otras piezas del aparato con herramientas sólidas tales como un cepillo de cerdas, lana de acero o cuchillo. No use materiales abrasivos o raspantes ni detergente.
3. Tras la limpieza de las partes interiores del horno con un paño jabonoso, enjuáguelo y luego séquelo bien con un paño suave.
4. Limpie las superficies de cristal con productos de limpieza específicos para cristal.
5. No limpie el horno con limpiadores a vapor.
6. No utilice nunca productos inflamables como ácido, disolvente y gas mientras limpie el aparato.
7. Nunca lave ninguna parte del producto del aparato.
8. Use estearato de potasio (jabón suave) para la suciedad y manchas.

Limpieza Del Cristal Del Horno

Levántelo presionando los lotes de plástico tanto en los lados izquierdo y derecho como se muestra en la figura 20 y tirándolo hacia usted mismo como se muestra en la figura 21. El cristal se soltará después de retirar el perfil tal como se indica en la figura 22. Retire el cristal que se ha soltado tirándolo hacia usted con cuidado. Fije el cristal exterior al perfil de la puerta del horno. Podrá lavar los cristales fácilmente después de retirarlos. Después de haber finalizado la limpieza y el mantenimiento, podrá volver a colocar los cristales siguiendo los mismos pasos en sentido inverso. Asegúrese de que el perfil esté colocada correctamente en su sitio.

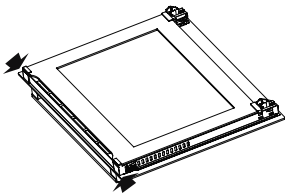


Figura 20

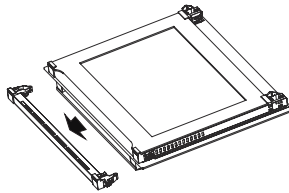


Figura 21

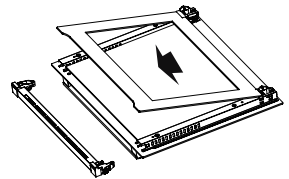


Figura 22

Limpieza Y Montaje De La Puerta Del Horno

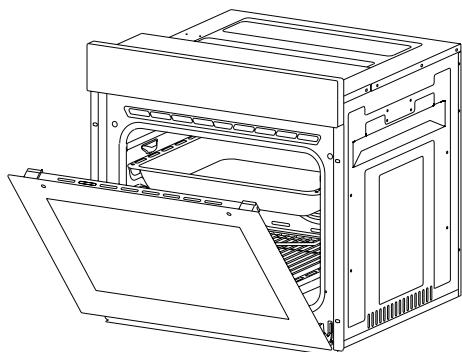


Figura 23

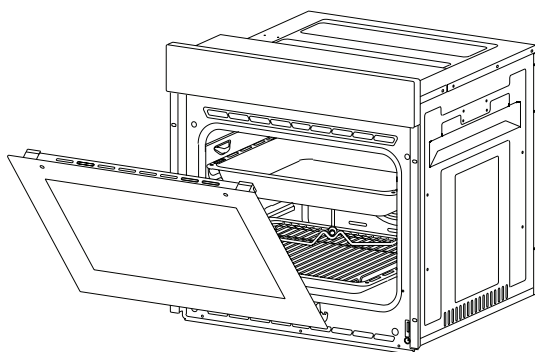


Figura 24

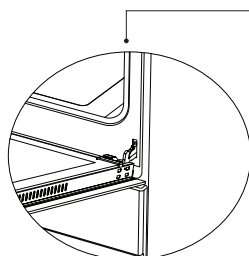


Figura 23.1

Abra la puerta totalmente tirando de ella hacia usted. Luego, desbloquéela tirando del bloqueo de bisagra hacia arriba con la ayuda de un destornillador tal como se indica en la **figura 23.1**.

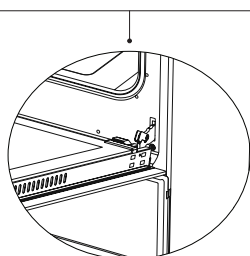


Figura 23.2

Fije el bloqueo de bisagra al mayor ángulo tal como se indica en la **figura 23.2**. Ajuste a la misma posición las dos bisagras que conectan la puerta con el horno.

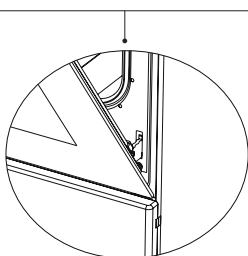


Figura 24.1

Más adelante, cierre la puerta para que quede en una posición en contacto con el bloqueo de la bisagra tal como se muestra en la **figura 24.1**.

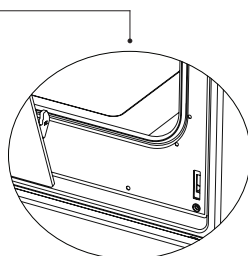


Figura 24.2

Para poder retirar la puerta del horno fácilmente, cuando se aproxime a la posición de cierre, coja la cubierta con las dos manos tal como se muestra en la **figura 24.2** y tire hacia arriba

Haga lo mismo que hizo en orden inverso mientras abría la puerta para volver a colocar la puerta del horno.

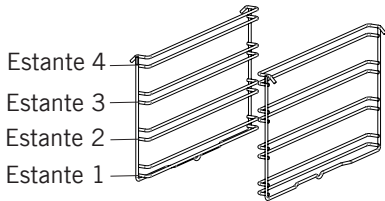
Paredes Catalíticas *

Las paredes catalíticas a la izquierda y a la derecha debajo de las guías. Las paredes catalíticas expulsan el mal olor y ofrecen el mejor rendimiento por parte de la cocina. Las paredes catalíticas también absorben los residuos de aceite y limpian el horno mientras está funcionando.

Retirar las paredes catalíticas

Para retirar las paredes catalíticas, debe extraer las guías. Tan pronto cuando haya extraído las guías, las paredes catalíticas se liberarán automáticamente. Las paredes catalíticas deben cambiarse cada 2-3 años.

Posiciones Del Estante



Es importante colocar la rejilla de alambre en el horno adecuadamente. No permita que el estante de alambre toque la pared trasera del horno. Las posiciones de los estantes se muestran en la siguiente figura. Puede colocar una bandeja profunda o una bandeja estándar en los estantes de alambre inferior y superior.

Instalación y eliminación de estantes de alambre

Para quitar los estantes de alambre, presione los clips que se muestran con las flechas en la figura, primero quite la parte inferior y la parte superior de la ubicación de instalación. Para instalar estantes de alambre, invierta el procedimiento para quitar el estante de alambre.

RECAMBIO DE LA LUZ DEL HORNO

ADVERTENCIA: Para evitar descargas eléctricas, asegúrese de abrir el circuito del aparato antes de cambiar la luz. (tener el circuito abierto significa que el suministro eléctrico está desactivado)

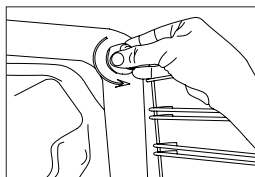
En primer lugar, desconecte el suministro eléctrico del aparato y asegúrese de que el aparato esté frío.

Retire la protección de cristal girándolo tal como se indica en la figura lateral izquierda. Si tiene alguna dificultad para realizar el giro, usar guantes de plástico le ayudará.

Luego, gire la lámpara para retirarla y coloque la nueva lámpara de la misma manera. Las características de la lámpara son las siguientes;

Vuelve a colocar la protección de cristal del aparato en la toma de corriente y finalice la sustitución. Ahora podrá usar el horno.

Tipo G9 Lámpara



220-240 V, AC
15-25 W

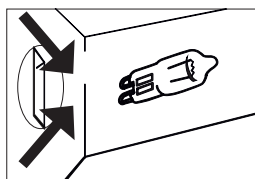


Figura 25

Tipo E14 Lámpara



220-240 V, AC
15 W

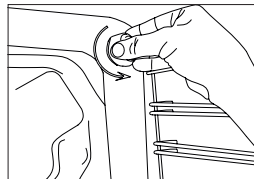


Figura 26

ADVERTENCIA: Este producto tiene una fuente de luz con clase de eficiencia energética G.

SOLUCIÓN DE PROBLEMAS

Puede resolver los problemas que puede encontrar con su producto al verificar los siguientes puntos antes de llamar al servicio técnico.

Puntos de verificación

En caso de que experimente un problema con el horno, primero revise la tabla a continuación y pruebe las sugerencias.

Problema	Causa probable	¿Qué hacer?
El horno no funciona.	Suministro eléctrico no disponible.	Verifique el suministro de energía.
	Suministro de gas no disponible.	Verifique si la válvula de gas principal está abierta.
		Verifique si la tubería de gas está doblada.
		Asegúrese de que la manguera de gas esté conectada al horno.
Compruebe si se está utilizando una válvula de gas adecuada.		
El horno se detiene durante la cocción.	El enchufe se sale de la toma de corriente.	Vuelva a instalar el enchufe en la toma de corriente.
Se apaga durante la cocción.	Operación continua demasiado larga.	Deje que el horno se enfríe después de largos ciclos de cocción.
	Más de un enchufe en un enchufe de corriente.	Use solo un enchufe para cada enchufe de corriente.
La puerta del horno no se abre correctamente.	Restos de alimentos atascados entre la puerta y la cavidad interna.	Limpia bien el horno y tratar de volver a abrir la puerta.
Choque eléctrico al tocar el horno.	Sin una conexión a tierra adecuada.	Asegúrese de que la red eléctrica tenga una correcta toma a tierra.
	Se usa una toma de corriente sin conexión a tierra.	

Problema	Causa probable	¿Qué hacer?
Goteo de agua	El agua o el vapor se pueden generar bajo ciertas condiciones dependiendo de la comida que se cocina. Esto no es un error del aparato.	Deje que el horno se enfríe y luego séquelo con un trapo de cocina.
Sale vapor de una grieta en la puerta del horno.		
Hay agua dentro del horno.		
El horno no calienta.	La puerta está abierta.	Cierre la puerta y reinicie.
	Controles del horno no ajustados correctamente.	Lea la sección sobre el funcionamiento del horno y reinicie el horno.
	Fusible disparado o interruptor automático apagado.	Sustituya el fusible o reinicie el interruptor. Si esto se repite con frecuencia, llame a un electricista.
Humo que sale durante el funcionamiento.	Cuando utilice el horno por primera vez	El humo sale de los calentadores. Esto no es una falta. Después de 2-3 ciclos, no habrá más humo.
	Comida en el calentador.	Deje que el horno se enfríe y limpie los residuos de comida del calentador.
Cuando utilice el horno, saldrá olor a quemado o plástico.	Se usan accesorios plásticos u otros accesorios no resistentes al calor dentro del horno.	A altas temperaturas, debe usar accesorios de cristalería adecuados.
El horno no cocina bien.	La puerta del horno se abre con frecuencia durante la cocción.	No abra la puerta del horno con frecuencia, si la comida que está cocinando no requiere ser volteada. Si abre la puerta con frecuencia, la temperatura interna disminuirá y, por lo tanto esto influirá en el resultado de la cocción.
La luz interna es débil o no funciona.	Objeto extraño que cubre la lámpara durante la cocción.	Limpie la superficie interna del horno y revise nuevamente.
	La lámpara podría estar fallando.	Reemplace con una lámpara con las mismas características técnicas.

REGLAS DE MANIPULACIÓN

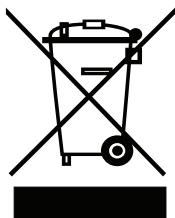
1. No use la puerta y/o el asa para transportar o mover el aparato.
2. Realice el movimiento y el transporte en el embalaje original.
3. Preste la máxima atención al aparato mientras es cargado / descargado y manipulado.
4. Asegúrese de que el embalaje esté bien cerrado durante la manipulación y el transporte.
5. Proteja de factores externos (como humedad, agua, etc.) que puedan dañar el embalaje.
6. Tenga cuidado de no dañar el aparato debido a golpes, colisiones, caídas, etc. mientras lo manipula y transporta, y no lo rompa ni lo deforme durante el funcionamiento.

RECOMENDACIONES PARA EL AHORRO DE ENERGÍA

Los siguientes detalles le ayudarán a usar su producto ecológica y económicamente.

1. Use envases de color oscuro y esmalte que conducen mejor el calor en el horno.
2. Mientras cocina su comida, si la receta o el manual del usuario indican que se requiere precalentar, precaliente el horno.
3. No abra la puerta del horno con frecuencia mientras cocina.
4. Trate de no cocinar múltiples platos simultáneamente en el horno. Puede cocinar al mismo tiempo colocando dos hornillas en el estante de rejilla.
5. Cocine múltiples platos sucesivamente. El horno no perderá calor.
6. Apague el horno unos minutos antes del tiempo de caducidad de la cocción. En este caso, no abra la puerta del horno.
7. Descongele la comida congelada antes de cocinar.

ELIMINACIÓN RESPETUOSA CON EL MEDIO AMBIENTE



Deshágase del embalaje de una manera respetuosa con el medio ambiente.

El aparato está etiquetado según la directiva europea 2012/19/EU sobre aparatos eléctricos y electrónicos usados (residuos de equipo eléctrico y electrónico - WEE por sus siglas en inglés). La directiva establece el marco para la devolución y el reciclaje de aparatos usados como corresponde en toda la UE.

INFORMACIÓN SOBRE EL EMBALAJE

El embalaje del aparato se fabrica con materiales reciclables, de acuerdo con nuestro Reglamento Nacional sobre Medio Ambiente. No elimine los materiales de embalaje junto con los residuos domésticos o de otro tipo. Llévelos a uno de los puntos de reciclaje designado por las autoridades locales.

Caro Cliente,

Obrigado por confiar neste produto.

O nosso objetivo é permitir que utilize este produto amigo do ambiente, que é fabricado nas nossas modernas instalações sob condições estritas em relação ao sentido de qualidade global, da melhor maneira possível e de modo eficiente.

Recomendamos que leia integralmente este manual de funcionamento antes de utilizar o forno e conserve-o permanentemente para que as características do forno encastrado que adquiriu permaneçam as mesmas desde o primeiro dia e por muito tempo.

Observação: Este manual de utilização está preparado para vários modelos. O seu aparelho pode não apresentar algumas funções especificadas no manual.

As imagens do produto são esquemáticas.

Este produto foi produzido em instalações modernas amigas do ambiente, que não afetam negativamente a natureza.

Os produtos marcados com (*) são opcionais.

"Em conformidade com Regulamento AEEE"

Índice

Avisos importantes.....	127
Ligação elétrica.....	138
Ligação de gás.....	139
Apresentação do aparelho.....	143
Acessórios.....	144
Especificações técnicas.....	145
Instalação do aparelho.....	145
Painel de controlo.....	151
Utilização do forno.....	152
Usar o grelhador.....	154
Utilização da placa protetora da grelha.....	154
Acendimento manual do forno.....	155
Usar o assador de frango.....	155
Tipos de programas.....	156
Recomendações para a cozedura.....	156
Tabela de cozedura.....	157
Manutenção e limpeza.....	158
Limpeza do vidro do forno.....	158
Limpeza e a montagem da porta do forno.....	159
Paredes catalíticas.....	160
Posições da grelha.....	160
Substituição da lâmpada do forno.....	161
Resolução de problemas.....	162
Regras de manuseamento.....	164
Recomendações de eficiência energética.....	164
Eliminação amiga do ambiente.....	165
Informação sobre a embalagem.....	165

ADVERTÊNCIAS IMPORTANTES

1. A instalação e reparação devem ser sempre realizadas por **“ASSISTÊNCIA AUTORIZADA”**. O fabricante não será responsável pelas operações realizadas por pessoas não autorizadas.

2. Deve ler cuidadosamente estas instruções de funcionamento. Apenas desta forma pode usar o aparelho em segurança e de forma correta.

3. O forno deverá ser usado de acordo com as instruções de funcionamento.

4. Manter afastadas as crianças com menos de 8 anos e os animais quando estiver a utilizar.

5. **As peças acessíveis podem ficar quentes durante a utilização. Manter as crianças pequenas afastadas.**

6. **ADVERTÊNCIA: Perigo de incêndio: não armazenar os artigos sobre as superfícies de cozedura.**

7. **ADVERTÊNCIA: Durante a utilização o aparelho fica quente. Tomar cuidados para evitar tocar nos elementos de aquecimento dentro do forno.**

8. As condições de montagem deste dispositivo são especificadas na etiqueta. (Ou na chapa de dados)

9. As partes acessíveis podem ficar quentes quando o grelhador é usado. As crianças pequenas devem ser mantidas afastadas.

10. **ADVERTÊNCIA: Este aparelho é destinado para cozinhar. Não deve ser usado para outros fins como para aquecer uma sala.**

11. Não usar aparelhos de limpeza a vapor para limpar o aparelho.

12. Assegurar que a porta do forno está completamente fechada depois de colocar os alimentos dentro do forno.

13. NUNCA tentar apagar o fogo com água. Desligar apenas o circuito do dispositivo e cobrir a chama com uma cobertura ou uma manta corta-fogo.

14. ADVERTÊNCIA: Manter afastadas as crianças com menos de 8 anos a menos que supervisionadas continuamente.

15. Deve ser evitado tocar nos elementos de aquecimento.

16. CUIDADO: O processo de cozedura deve ser vigiado. O processo de cozedura deve ser sempre vigiado.

17. Este equipamento pode ser usado por crianças a partir de 8 anos e mais e por pessoas com capacidades físicas, sensoriais ou mentais reduzidas ou com falta de experiência e conhecimento se lhes tiver sido dada a supervisão ou instrução relativamente ao uso do equipamento de uma forma segura e entender os riscos envolvidos. As crianças não devem brincar com o aparelho. A limpeza e a manutenção do utilizador não devem ser feitas por crianças sem supervisão.

18. Este dispositivo foi concebido apenas para uso doméstico.

19. As crianças não devem brincar com o aparelho. A limpeza ou manutenção do utilizador não deve ser feita por crianças a menos que tenham mais de 8 anos e sejam vigiadas por adultos.

20. Manter o aparelho e o respetivo cabo de alimentação afastado das crianças com menos de 8 anos.

21. Colocar as cortinas, tules, papel ou qualquer material inflamável (comburente) longe do aparelho antes de começar a usar o aparelho. Não colocar materiais comburentes ou inflamáveis sobre ou no interior do aparelho.

22. Manter os canais de ventilação abertos.

23. O aparelho não é adequado para usar com um temporizador externo ou sistema de controlo remoto separado.

24. Não aquecer latas fechadas e frascos de vidro. A pressão pode levar os frascos a explodir.

25. A pega do forno não é um secador de toalhas. Não pendurar toalhas, etc. na pega do forno.

26. Não colocar os tabuleiros do forno, placas ou folhas de alumínio diretamente sobre a base do forno. O calor acumulado pode danificar a base do forno.

27. Ao colocar ou retirar alimentos do forno, etc., usar sempre luvas de forno resistentes ao calor.

28. Não usar o produto em estados como sob influência de medicamentos e/ou de álcool que possam afetar a sua capacidade de discernimento.

29. Ter cuidado quando usar álcool nos seus alimentos. O álcool irá evaporar a temperaturas elevadas e pode incendiar-se provocando um incêndio, se entrar em contacto com superfícies quentes.

■ ■ ■ ■

30. Após cada utilização, verificar se a unidade está desligada.

31. Se o aparelho estiver defeituoso ou apresentar danos visíveis, não utilizar o aparelho.

32. Não tocar na ficha com as mãos molhadas. Não puxar o cabo para desligar, segurar sempre pela ficha.

33. Não usar o aparelho com o vidro da porta da frente retirado ou partido.

34. Colocar o papel vegetal junto com o alimento num forno pré-aquecido, colocando-o dentro de uma panela ou num acessório de forno (tabuleiro, grelha de arame, etc.).

35. Não colocar sobre o aparelho objetos que as crianças possam alcançar.

36. É importante colocar a grelha de arame e bandeja corretamente nas prateleiras de arame e/ou colocar corretamente o tabuleiro na prateleira. Colocar a grelha ou o tabuleiro entre duas guias e verificar se está equilibrada antes de colocar alimentos sobre ela.

37. Para evitar o risco de tocar nos elementos de aquecimento do forno, remover as partes excedentes do papel vegetal que ficar pendurado do acessório ou recipiente.

38. Nunca o usar em temperaturas do forno mais elevadas do que a temperatura máxima de uso indicada no papel vegetal. Não colocar o papel vegetal na base do forno. Para evitar o risco de tocar nos elementos de aquecimento do forno, remover as partes excedentes do papel vegetal que ficar pendurado do acessório ou recipiente.

39. Quando a porta estiver aberta, não colocar qualquer objeto pesado sobre a porta ou permitir que as crianças se sentem nela. Pode fazer com que o forno se vire ou as dobradiças da porta fiquem danificadas.

40. Os materiais de embalagem são perigosos para as crianças. Manter o material de embalagem afastado do alcance das crianças.

41. Não usar produtos de limpeza abrasivos ou raspadores metálicos afiados para limpar o vidro, pois os arranhões que podem ocorrer na superfície do vidro da porta podem provocar a quebra do vidro.

42. O utilizador não deve tratar do forno por si mesmo.

43. Durante a utilização as superfícies interior e exterior do forno ficam quentes. Ao abrir a porta do forno, recuar para evitar o vapor quente que sai do interior. Há risco de queimadura.

44. Não colocar objetos pesados quando a porta do forno estiver aberta, risco de queda.

45. O utilizador não deve deslocar a resistência durante a limpeza. Isso pode provocar um choque elétrico.

46. A alimentação do forno pode ser desligada durante qualquer trabalho de construção em casa. Depois de concluir o trabalho, deve ser a assistência autorizada a ligar de novo o forno.

47. Para evitar o sobreaquecimento, o aparelho não deve ser instalado atrás de uma cobertura decorativa.

■ ■ ■ ■

48. Desligar o aparelho antes de retirar as proteções. Depois de limpar, instalar as proteções de acordo com as instruções.

49. O ponto de fixação do cabo deverá ser protegido.

Segurança elétrica

1. Ligar o aparelho a uma tomada com ligação à terra protegida por um fusível, em conformidade com os valores especificados no quadro de especificações técnicas.

2. Pedir a um electricista autorizado o equipamento de ligação à terra. A nossa empresa não será responsável pelos danos que serão incorridos devido ao uso do produto sem ligação à terra de acordo com os regulamentos locais.

3. Os interruptores do disjuntor do forno devem ser colocados de forma que o utilizador final os possa alcançar quando o forno estiver instalado.

4. O cabo de alimentação (o cabo com ficha) não deve entrar em contacto com as partes quentes do aparelho.

5. Se o cabo de alimentação (o cabo com ficha) estiver danificado, deve ser substituído pelo fabricante ou pelo seu agente de assistência ou por pessoal igualmente qualificado para evitar uma situação perigosa.

6. Nunca lavar o produto pulverizando-o ou deitando água sobre o mesmo! Há um risco de eletrocução.

7. ADVERTÊNCIA: Para evitar choque elétrico, verificar se o circuito do dispositivo está aberto antes de trocar a lâmpada.

8. ADVERTÊNCIA: Desligar todas as ligações do circuito de alimentação antes de aceder aos terminais.

9. Não usar cabos cortados ou danificados ou cabos de extensão que não sejam o cabo original.

10. Assegurar que não há líquido ou humidade na tomada onde a ficha do produto for instalada.

11. A superfície traseira do forno também aquece quando o forno está a funcionar. As ligações elétricas não devem tocar na superfície traseira, caso contrário as ligações podem ficar danificadas.

12. Não apertar os cabos de ligação à porta do forno e não os colocar sobre superfícies quentes. Se o cabo se derreter, isto pode causar curto-circuito no forno e até um incêndio.

13. Desligar a unidade da ficha durante a instalação, manutenção, limpeza e reparação.

14. Se o cabo de alimentação estiver danificado, deve ser substituído pelo fabricante ou pelo seu agente de assistência ou uma pessoa igualmente qualificada de modo a evitar alguma situação perigosa.

15. Assegurar que a ficha está firmemente inserida na tomada de parede para evitar faíscas.

16. Não usar aparelhos de limpeza a vapor para limpar o aparelho, caso contrário poderá ocorrer choque elétrico.

17. É necessária um interruptor unipolar capaz de desligar a fonte de alimentação para a instalação. O desligamento da fonte de alimentação deve ser fornecido com um interruptor ou um fusível integrado instalado na fonte de alimentação fixa de acordo com o código do edifício.

18. O aparelho está equipado com um cabo de fio **tipo “Y”**.

19. As ligações fixas devem ser ligadas a uma fonte de alimentação que permita desligamento unipolar. Para aparelhos com categoria de sobretensão abaixo de III, o dispositivo de desligamento deve ser ligado à fonte de alimentação fixa de acordo com o código de fiação.

Segurança do gás

1. Este aparelho não está ligado a dispositivos de exaustão de produtos de combustão. Este aparelho deve ser ligado e instalado de acordo com os regulamentos de instalação em vigor. Devem ser consideradas condições referentes à ventilação.

2. Quando um aparelho de cozinhar a gás é utilizado; são gerados produtos de humidade, calor e combustão na divisão. Antes de mais nada, assegurar que a cozinha é bem ventilada quando o aparelho funcionar e manter as aberturas de ventilação natural ou instalar um equipamento de ventilação mecânica.

3. Depois de usar o aparelho intensamente durante um longo período de tempo, pode ser necessária ventilação adicional. Por exemplo, abrir uma janela ou ajustar uma velocidade superior para a ventilação mecânica, se houver.

4. Este aparelho deve ser usado apenas em locais bem ventilados de acordo com as normas vigentes. Deve ler este manual antes de instalar ou usar este produto.

5. Antes de posicionar o aparelho, assegurar que as condições de rede locais (tipo de gás e pressão do gás) cumpre os requisitos do aparelho.

6. Todos os tipos de operações a serem realizadas na instalação de gás devem ser realizados por pessoas autorizadas e competentes.

7. Este aparelho está ajustado para gás natural (GN). Se precisar de usar o seu produto com um tipo de gás diferente, terá que solicitar a assistência autorizada para a conversão.

8. Para funcionamento adequado, o exaustor, o tubo de gás e o grampo devem ser substituídos periodicamente de acordo com as recomendações do fabricante e quando necessário.

9. O gás deve queimar bem em produtos gasosos. O gás bem queimado pode ser entendido a partir da chama azul e da queima contínua. Se o gás não queimar suficientemente, pode ser gerado monóxido de carbono (CO). O monóxido de carbono é um gás incolor, inodoro e muito tóxico; mesmo pequenas quantidades têm efeito letal.

■ ■ ■ ■

10. Peça ao seu fornecedor de gás local os números de telefone para emergências relacionadas com o gás e as medidas a serem tomadas quando for detetado odor a gás.

0 que fazer quando for detetado odor a gás

1. Não usar chama livre e não fumar.

2. Não ligar nenhum interruptor elétrico.

(Por exemplo: interruptor da lâmpada ou campainha)

3. Não usar telefone ou telemóvel.

4. Abrir as portas e janelas.

5. Fechar todas as válvulas dos aparelhos que utilizam gás e os contadores de gás.

6. Chamar os bombeiros de um telefone fora de casa.

7. Verificar todas as mangueiras e as suas ligações contra fugas. Se ainda sentir cheiro a gás, sair de casa e avisar os seus vizinhos.

8. Não entrar na casa até que as autoridades clarifiquem se é seguro.

Utilização prevista

- 1.** Este produto é concebido para utilização doméstica. Não é permitido o uso comercial do aparelho.
- 2.** Este aparelho apenas deve ser usado para fins culinários. Não deve ser usado para outros fins como para aquecer uma sala.
- 3.** Este aparelho não deve ser utilizado para aquecer placas sob o grelhador, secar roupa ou toalhas pendurando-as na pega ou para fins de aquecimento.
- 4.** O fabricante não assume responsabilidades por qualquer dano devido a uso indevido ou inadequado.
- 5.** Parte do forno da unidade pode ser usada para descongelar, assar, fritar e grelhar alimentos.
- 6.** A vida útil do produto que adquiriu é de 10 anos. Este é o período para o qual as peças de reposição necessárias para o funcionamento deste produto são fornecidas pelo fabricante, conforme definido.

Ligação Elétrica

Este forno deve ser instalado e ligado corretamente no seu local, de acordo com as instruções do fabricante e por um serviço autorizado.

O aparelho deve ser instalado num compartimento de forno provido de alta ventilação.

As ligações elétricas do aparelho devem ser realizadas apenas através de tomadas com uma ligação de terra em conformidade com os regulamentos. Contacte um eletricista autorizado se a tomada não estiver em conformidade com o sistema de terra onde o aparelho será instalado. A empresa fabricante não é responsável por danos resultantes da ligação de tomadas não ligadas à terra ao aparelho.

A ficha do seu forno deve estar ligada à terra; assegure-se que a tomada da ficha está ligada à terra. A ficha deve estar localizada num local que possa estar acessível após a instalação.

O seu forno tem sido fabricado como 220-240 V 50/60 Hz. A corrente elétrica AC está em conformidade e exige um fusível de 16 Amp. Se a sua rede de alimentação for diferente destes valores indicados, consulte um eletricista ou o seu serviço autorizado.

Quando precisar substituir o fusível elétrico, certifique-se de que a ligação elétrica é realizada do seguinte modo:

- Cabo castanho de fase (para terminal de corrente)
- Cabo azul para terminal neutro
- Cabo verde-amarelo para terminal de terra

Os interruptores de desligamento do forno devem estar num local acessível para o utilizador final quando o forno estiver instalado.

O cabo de alimentação elétrica (cabo de encaixe) não deve tocar nas partes quentes do aparelho.

Se o cabo de alimentação (cabo de encaixe) estiver danificado, este cabo deve ser substituído pelo importador ou pelo seu agente de serviço ou uma pessoa igualmente competente, a fim de se evitar uma situação de risco.

Ligação De Gás

ADVERTÊNCIA: Antes de iniciar qualquer trabalho relacionado com a instalação de gás, desligar o fornecimento de gás. Risco de explosão.

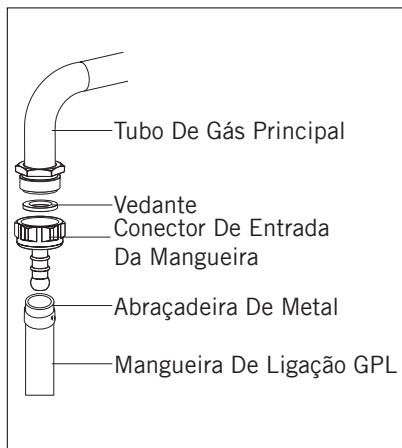
ADVERTÊNCIA: A mangueira de gás assim como a ligação elétrica do aparelho não deverão estar próximas de áreas quentes como a parte traseira do aparelho. A mangueira de gás deverá ser ligada dispendo-a em grandes ângulos curvos de maneira a impedir a possibilidade de rutura. O movimento do aparelho ao qual é realizada a ligação de gás poderá provocar uma fuga de gás.

ADVERTÊNCIA: Ao realizar o controlo de fugas de gás; nunca utilize um isqueiro, fósforo, cigarro em brasa ou matéria inflamável semelhante.

Ligue o seu aparelho ao forno a gás da forma mais curta e também de maneira a impedir quaisquer fugas. Por motivos de segurança, a mangueira utilizada deverá ter no máximo 125 cm e no mínimo 40 cm.

Aplique espuma de sabão nos pontos de ligação. Caso exista (m) fuga (s), ocorrerá a criação de espuma na região ensaboada.

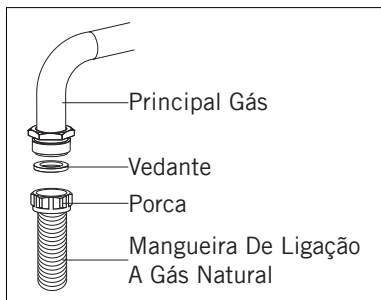
Para ligação de GPL;



Para ligação GPL (garrafa), colocar abraçadeira de metal na mangueira proveniente da garrafa de GPL. Colocar uma ponta da mangueira no conector de entrada da mangueira por trás do aparelho empurrando a extremidade depois de aquecer a mangueira em água a ferver. Depois, trazer a abraçadeira para o fim da seção na mangueira e apertá-la com chave de fendas. O vedante e o conector de entrada da mangueira, requeridos para a ligação, são mostrados na imagem abaixo.

NOTA: O regulador a ser colocado na garrafa de GPL deve ter a característica de 300 mmSS.

Para ligação de gás natural;



AVISO: A ligação de gás natural deve ser feita por serviço autorizado. Para a ligação de gás natural, colocar vedante na porca na ponta da mangueira de ligação de gás natural. Para instalar a mangueira no tubo de gás principal, rodar a porca. Completar a ligação fazendo o teste de fuga de gás.

Ventilação do espaço

O ar necessário para queimar é recebido a partir do ar existente no espaço e os gases libertados são diretamente libertados para o espaço. Para um funcionamento seguro do seu produto, é condição essencial uma boa ventilação do espaço. Se não for para ser utilizada uma janela para ventilação do espaço, deve ser instalada ventilação adicional. No entanto, se o espaço tiver uma porta a abrir para o exterior, não são necessários orifícios de ventilação.

Dimensão do espaço	Abertura de ventilação
Inferior a 5 m ³	min. 100 cm ²
Entre 5 m ³ - 10 m ³	min. 50 cm ²
Superior a 10 m ³	não é necessário
Em cave ou adega	min. 65 cm ²

Definição da taxa de fluxo de gás reduzida para as torneiras de fogão

1. Acender o queimador que deve ser ajustado e rodar o botão para a posição reduzida.

2. Retirar o botão da torneira de gás.

3. Usar uma chave de fenda de tamanho apropriado para ajustar o parafuso de ajuste da taxa de fluxo. Para GPL (butano-propano) rodar o parafuso no sentido horário. Para gás natural, deve rodar uma vez o parafuso no sentido anti-horário.

“O comprimento normal de uma chama reta na posição reduzida deve ser de 6-7 mm.”

4. Se a chama estiver mais alta que a posição desejada, rodar o parafuso no sentido horário. Se estiver mais baixa, rodar no sentido anti-horário.

5. Para o último controlo, levar o queimador para as posições de chama alta e reduzida e verificar se a chama se mantém ou se apaga.

Dependendo do tipo de torneira usada no seu aparelho, a posição do parafuso de ajuste pode variar.

Para ajustar o seu forno para o tipo de gás, fazer o ajuste para a chama reduzida cuidadosamente rodando com uma chave de fenda pequena, como mostrado abaixo, no parafuso no meio das torneiras de gás, bem como trocar os bicos. (figura 1 e 2)

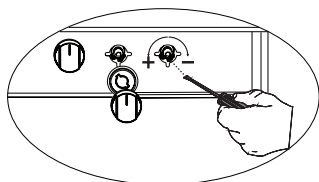


Figura 1

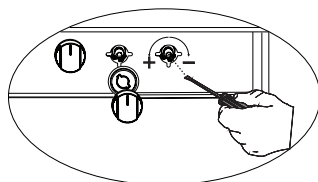


Figura 2

Desmontagem do fundo do forno a gás e queimador superior e Instalação do injetor

Desmontagem do queimador superior:

Remova o parafuso com uma chave de fendas, conforme se mostra na figura 3. Puxe o queimador para si e remova-o da sua base, como pode ver na figura 4. Usando uma chave tubular, retire o injetor como é mostrado na figura 5. Siga os passos acima na ordem inversa para reinstalar o queimador.

Figura 3

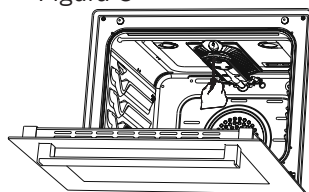


Figura 4

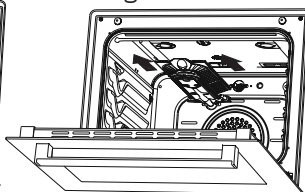
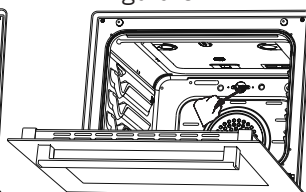


Figura 5



Desmontagem do queimador inferior

A tampa do queimador inferior é fixada com 2 parafusos; remova-os, conforme pode ver na figura 6. Puxe a tampa para cima e remova conforme mostra a figura 7. Puxe o queimador para si e remova-o da sua base, como pode ver na figura 8. Usando uma chave tubular, retire o injetor como é mostrado na figura 9. Siga os passos acima na ordem inversa para reinstalar o queimador.

Figura 6

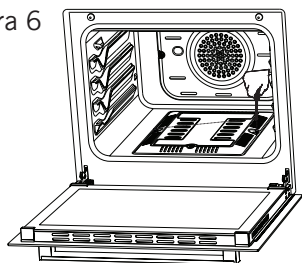


Figura 7

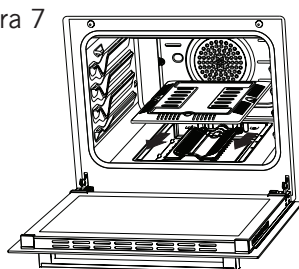


Figura 8

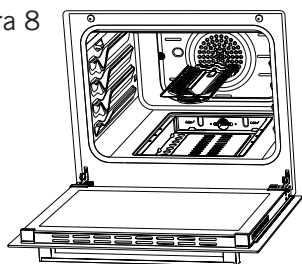
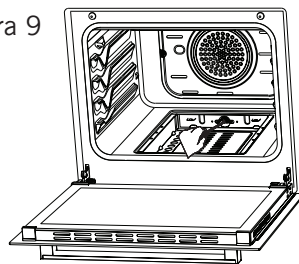
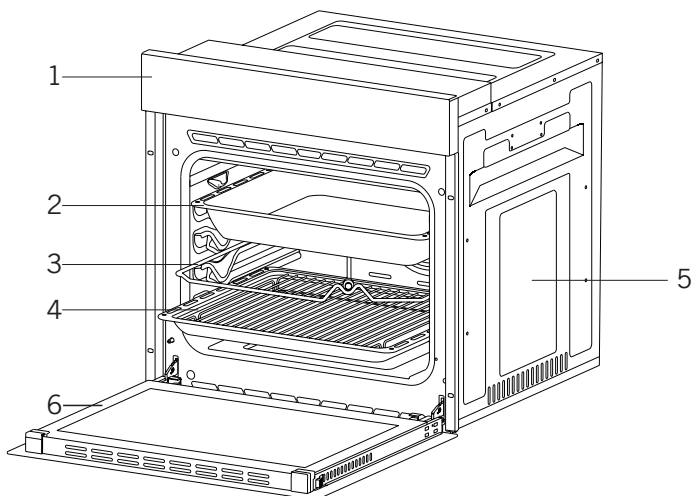


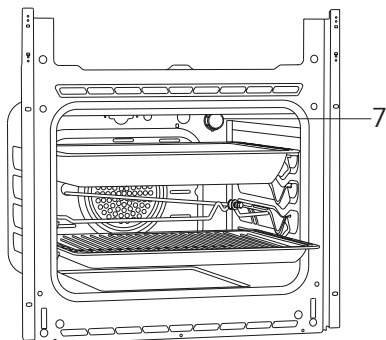
Figura 9



APRESENTAÇÃO DO APARELHO



- 1. Painel de controlo
- 2. Tabuleiro fundo *
- 3. Espeto para frango assado *
- 4. Grade de arame
- 5. Grades de arame laterais
- 6. Porta do forno



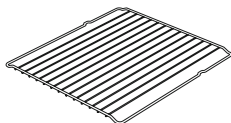
- 7. Lâmpada

Acessórios



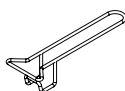
Tabuleiro fundo *

Utilizado para produtos de pastelaria, grandes assados, alimentos cozidos com água. Também pode ser utilizado como recipiente de recolha de óleo.



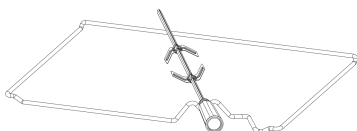
Grade de arame

Utilizada para assar ou cozinhar alimentos na prateleira pretendida



Pega do tabuleiro *

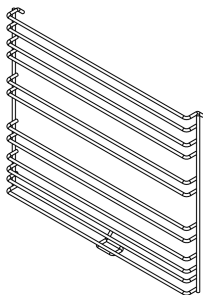
É usada para segurar tabuleiros quentes.



Espeto para frango assado

O espeto para frango assado é utilizado com a porta fechada.

A temperatura de aquecimento pode ser alterada conforme necessário. É aconselhável confeccionar peças de tamanho médio no espeto para frango assado.



Grades de arame laterais

Localizados em ambos os lados da cavidade do forno, suportam as grades metálicas e as bandejas para pingos.

NOTA: Os tabuleiros e grelhas do forno não são adequados para o contacto direto com alimentos. Utilize utensílios de cozinha ou papel vegetal adequados.

Especificações Técnicas

Especificações	Forno encastrado de 60 cm
Potência da lâmpada	15-25 W
Termóstato	100-250 / °C máx.
Aquecedor do grelhador	2000 W
Tensão de alimentação	220-240 V 50/60 Hz.

Queimador Especificações	G20,20 mbar G25,25 mbar			G20,25 mbar		G30,28-30 mbar G31,37 mbar		G30,37 mbar		G30,50 mbar	
	Gás natural			Gás natural		GPL		GPL		GPL	
Queimador do grelhador	Injetor	1,00	mm	0,92	mm	0,70	mm	0,65	mm	0,60	mm
	Fluxo de gás	0,190	m³/h	0,190	m³/h	145	g/h	145	g/h	145	g/h
	Potência	2,00	kW	2,00	kW	2,00	kW	2,00	kW	2,00	kW
Queimador do forno	Injetor	1,10	mm	1,00	mm	0,75	mm	0,70	mm	0,65	mm
	Fluxo de gás	0,238	m³/h	0,238	m³/h	182	g/h	182	g/h	182	g/h
	Potência	2,50	kW	2,50	kW	2,50	kW	2,50	kW	2,50	kW

ADVERTÊNCIA: Os valores de diâmetro gravados no injetor são especificados sem vírgula. Por exemplo; O diâmetro de 1,70 mm é especificado como 170 no injetor.

As especificações técnicas podem ser alteradas sem aviso prévio para melhorar a qualidade do produto.

Os valores fornecidos com o aparelho ou nos documentos que os acompanham são as leituras laboratoriais relacionadas com as respetivas normas. Estes valores podem variar consoante a utilização e as condições ambientais.

As figuras neste guia são esquemáticas podem não coincidir exatamente com o seu produto.

INSTALAÇÃO DO APARELHO

Certifique-se que a instalação elétrica é adequada para o funcionamento do aparelho. Se não for o caso, chame um electricista ou picheleiro para fazer as instalações necessárias. O fabricante não pode ser responsabilizado por danos derivados de operações por pessoas não autorizadas, que invalidarão a garantia.

AVISO: É de responsabilidade do cliente preparar o local onde o produto será posicionado e também as instalações de alimentação necessárias.

AVISO: As regras sobre as normas elétricas locais devem ser respeitadas durante a instalação do produto.

AVISO: Verifique se há danos no produto antes de instalá-lo. Não instale o produto se estiver danificado. Produtos danificados representam perigo para a sua segurança.

Avisos importantes para a instalação:

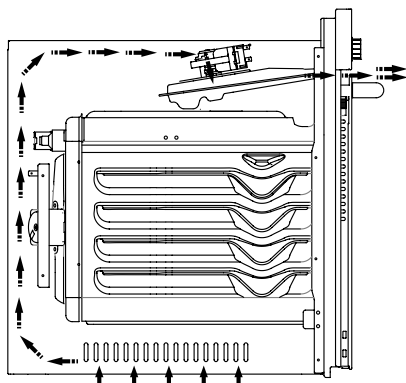


Figura 10

A ventoinha de arrefecimento expelle vapor extra e impede que as superfícies exteriores do aparelho sobreaqueçam durante o funcionamento do forno. Esta é uma condição necessária para um melhor funcionamento do aparelho e uma melhor cozedura.

A ventoinha de arrefecimento continua a funcionar depois da cozedura estar concluída. A ventoinha irá parar automaticamente após o arrefecimento estar concluído.

Deve ser deixado um espaço atrás do compartimento onde instalará o aparelho para um funcionamento eficiente e de boa qualidade. Este espaço não deve ser ignorado, já que é necessário para o sistema de ventilação do aparelho funcionar.

Local certo para a instalação

O produto foi concebido para ser montado em bancadas adquiridas no mercado. Deve ser deixada uma distância segura entre o produto e as paredes ou o mobiliário da cozinha. Consulte o desenho fornecido na página seguinte para as distâncias adequadas. (valores em mm)

- As superfícies, os laminados sintéticos e os adesivos utilizados devem ser resistentes ao calor. (mínimo 100°C).
- Os armários de cozinha devem estar nivelados com o produto e fixados.
- Se houver uma gaveta abaixo do forno, deve ser colocado um rack entre o forno e a gaveta.

AVISO: Não instale o produto próximo a frigoríficos ou arrefecedores. O calor emitido pelo produto aumenta o consumo de energia dos dispositivos de arrefecimento.

AVISO: Não utilize a porta ou o puxador para mover o produto.

Instalação e montagem do forno encastrado de 60 cm

O local de instalação do produto deve ser definido antes de iniciar a instalação.

O produto não deve ser instalado em locais que estejam sob o efeito de fluxo de ar forte.

Carregue o produto juntamente com, pelo menos, duas pessoas. Não arraste o produto de modo a não causar danos ao piso.

Remova todos os materiais de transporte dentro e fora do produto. Remova todos os materiais e documentos no produto.

Instalação sob a bancada

O compartimento deve coincidir com as dimensões fornecidas na figura 11.

Deve ser previsto um espaço na parte traseira do compartimento, como indicado na figura, de modo a se obter a ventilação necessária.

Após a montagem, o espaço entre a parte inferior e superior da bancada está indicado na figura 14 com a letra “A”. Destina-se à ventilação e não deve ser tapado.

Instalação num compartimento elevado

O compartimento deve coincidir com as dimensões fornecidas na figura 13.

Devem ser previstos os espaços com as dimensões indicadas na figura, na parte traseira do compartimento, nas seções superior e inferior, de modo a se obter a ventilação necessária.

Requisitos da instalação

As dimensões do produto são fornecidas na figura 12.

As superfícies do mobiliário dos materiais de montagem e desmontagem a ser utilizados devem ter uma resistência à temperatura mínima de 100 °C.

O compartimento de montagem deve estar fixado e o seu piso deve ser plano para que o produto não incline.

O piso do compartimento deve ter uma resistência mínima para lidar com uma carga de 60 kg.

Colocação e fixação do forno

Coloque o forno no compartimento com duas ou mais pessoas.

Verifique se a estrutura do forno e a borda frontal do mobiliário correspondem de modo uniforme.

O cabo de alimentação não deve estar sob o forno, pressionado entre forno e o mobiliário ou dobrado.

Fixe o forno ao mobiliário utilizando os parafusos fornecidos com o produto. Os parafusos devem ser montados como mostrado na figura 14, passando-os através dos plásticos ligados à estrutura do produto. Os parafusos não devem ser demasiadamente apertados. Caso contrário, os soquetes dos parafusos podem estar desgastados.

Verifique se o forno não se move depois da montagem. Se o forno não for montado de acordo com as instruções, existe um risco de inclinação durante o funcionamento.

Ligação elétrica

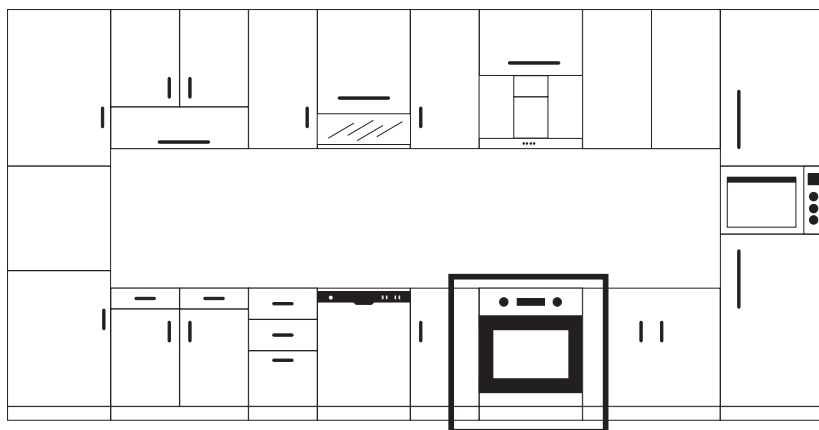
O local de montagem do produto deve ter a instalação elétrica adequada.

A tensão de rede deve ser compatível com os valores fornecidos na placa de características do produto.

A ligação do produto deve ser feita em conformidade com os requisitos elétricos locais e nacionais.

Antes de iniciar a montagem, desligue a alimentação elétrica. Não ligue o produto à rede até que a sua montagem esteja concluída.

Montagem



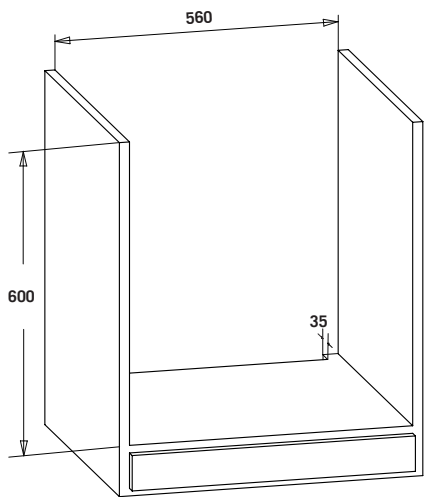


Figura 11

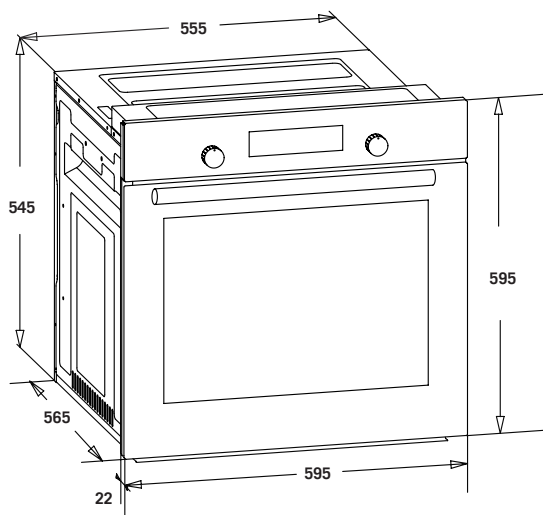
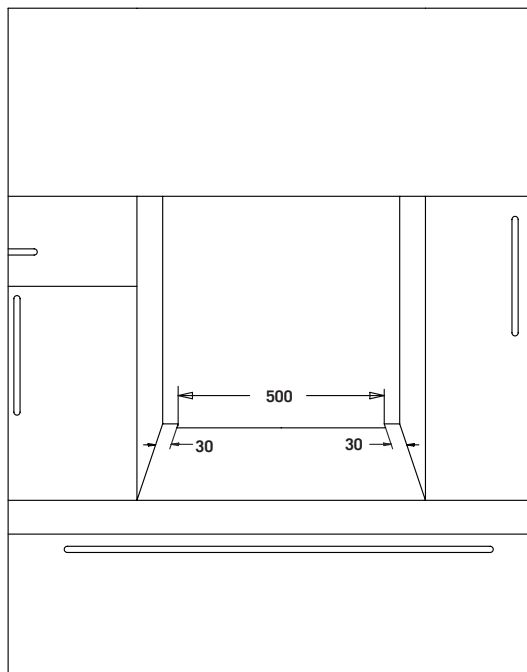


Figura 12

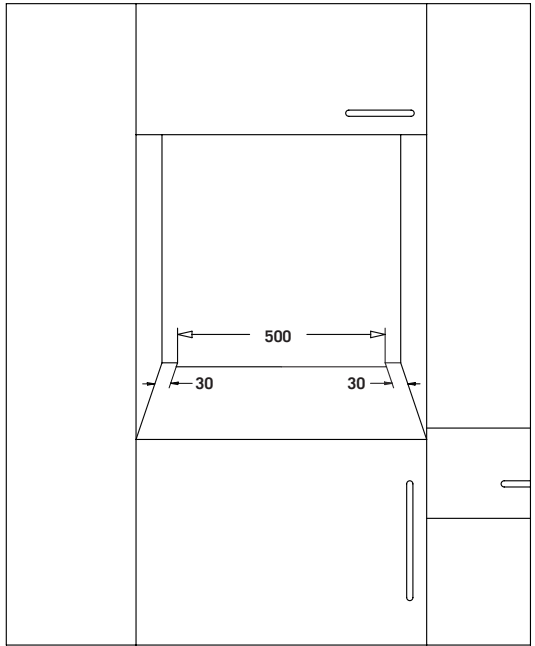
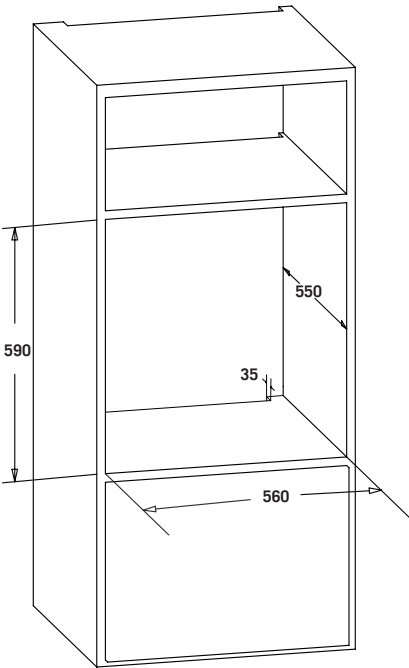
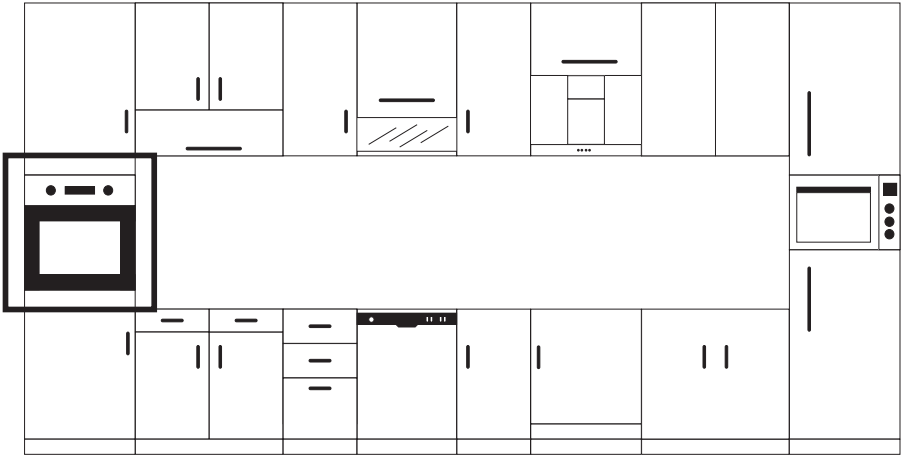


Figura 13

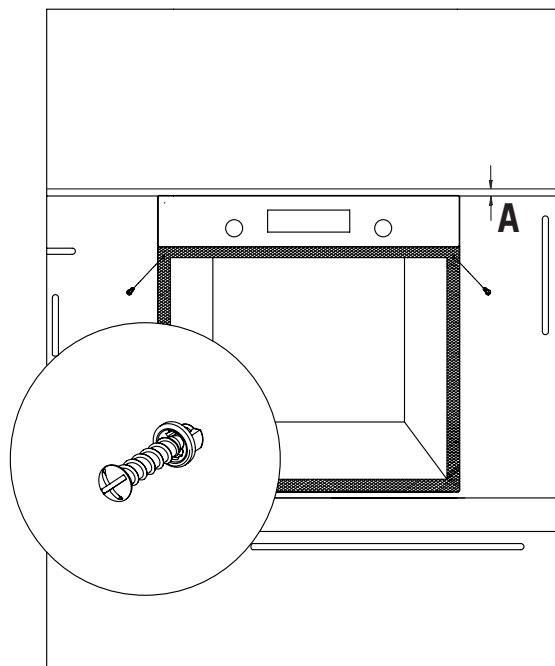
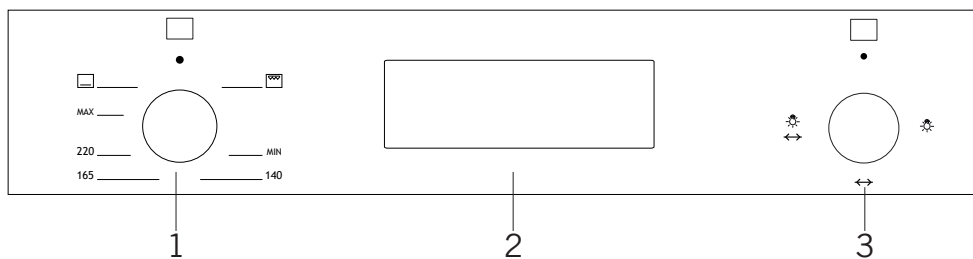


Figura 14

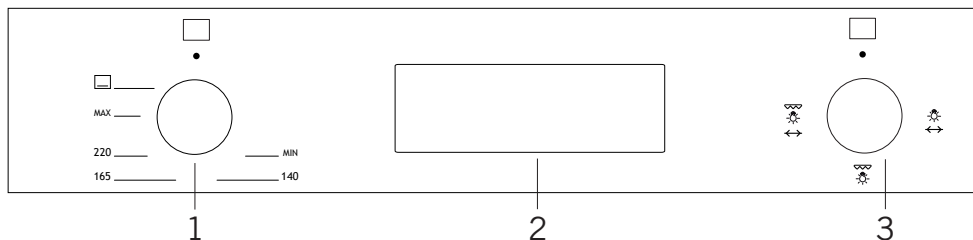
PAINEL DE CONTROLO

Imagem do Painel de Controlo do Forno a Gás Integrado



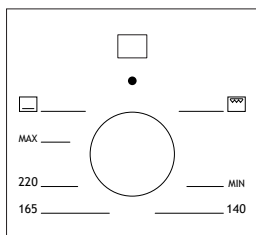
1. Botão de função
2. Temporizador mecânico ou digital
3. Termóstato

Imagem do Painel de Controlo do Forno Misto Integrado

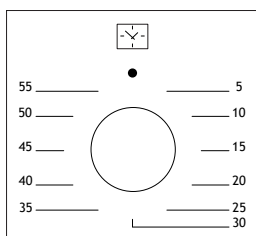


1. Botão de função
2. Temporizador mecânico ou digital
3. Termóstato

ADVERTÊNCIA: O painel de controlo acima é apenas para fins de ilustração. Considerar o painel de controlo no seu dispositivo.



Botão de controlo do forno: Permite o controlo dos queimadores do forno a gás (para queimador de forno termostático e para queimador superior). Pode igualmente usar a função de botão sob ignição para acender os queimadores de gás.



Botão do temporizador mecânico *: Ajuda a definir o tempo para a cozedura dos alimentos no forno. Consulte a tabela de cozedura para obter tempos de cozedura.

UTILIZAÇÃO DO FORNO

Utilização inicial do forno

Aqui estão as coisas que deve fazer na primeira utilização do seu forno depois de realizar as necessárias de acordo com as instruções:

1. Remova do interior do forno as informações com imagens e as peças sobresselentes. Se houver, retire a película de proteção na parte frontal do aparelho.

2. Remova o pó e os resíduos de embalagem limpando o interior do forno com um pano húmido. O interior do forno deve estar vazio. Ligue a ficha do cabo do aparelho à tomada elétrica.

3. Defina o botão do termóstato para a temperatura mais alta (250 °C no máx.) e funcione o forno por 30 minutos com a sua porta fechada. Entretanto, pode aparecer um ligeiro fumo e um odor, mas é uma situação normal.

4. Limpe o interior do forno com um pouco de água morna com detergente depois do mesmo estar arrefecido e seque com um pano limpo. Agora pode utilizar o seu forno.

Utilização normal do forno

1. O topo (grelha) deste forno a gás assim como o queimador inferior apenas podem ser utilizados à vez. Quando desejar utilizar o seu queimador de eleição, pressione em primeiro lugar o botão da torneira e aguarde durante 5 segundos para purgar o ar dos tubos. Então poderá acender o queimador através do sistema de ignição automático (opcional) ou de fósforo.

2. Uma vez aceso o queimador, deverá continuar a pressionar o botão durante 10 a 15 segundos para que o sistema de supervisão da chama funcione.

3. Quando o queimador estiver aceso e totalmente estabelecido após um ou dois minutos, então poderá fechar a porta do forno.

4. Pode definir o tempo de cozedura para qualquer hora pretendida utilizando o botão presente nos modelos com temporizador mecânico. O temporizador irá cortar a energia dos aquecedores quando esgotar o tempo e emitir um aviso sonoro.

5. O temporizador desliga os aquecedores e emite um aviso sonoro quando o tempo de cozedura esgota, em linha com as informações inseridas nos modelos com temporizador digital.

6. O sistema de arrefecimento do aparelho continuará a funcionar após a cozedura estar concluída. Não corte a alimentação elétrica do aparelho nesta situação, que é necessária para que o aparelho arrefeça. O sistema desligar-se-á após o arrefecimento estar concluído.

Usar O Grelhador

1. Quando colocar a grelha na prateleira superior, os alimentos na grelha não devem tocar na grelha.
2. Pode pré-aquecer durante 5 minutos enquanto grelhar. Se necessário, pode voltar os alimentos ao contrário.
3. Os alimentos devem estar no centro da grelha para fornecerem um fluxo máximo de ar através do forno.

Ligar o grelhador;

1. Colocar o botão de função sobre o símbolo do grelhador.
2. Em seguida, definir a temperatura do grelhador pretendida.

Desligar o grelhador;

Colocar o botão de função na posição desligado.

ADVERTÊNCIA: Manter a porta do forno fechada enquanto estiver a grelhar.
(Grelhador elétrico)

ADVERTÊNCIA: Manter a porta do forno aberta enquanto estiver a grelhar.
(Grelhador a gás)

Utilização Da Placa Protetora Da Grelha *

1. Coloque a placa protetora sob o painel de controlo, abrindo a porta frontal do forno. (figura 16)
2. Situe as duas abas de fixação na placa protetora nas duas ranhuras sob o painel de controlo, então fixe-as entre o forno e a porta interior, fechando gentilmente a porta. (figura 17)
3. Ao grelhar é importante manter a porta aberta à distância especificada.
4. A placa protetora fornecerá um desempenho de cozedura ideal ao mesmo tempo que protege o painel de controlo e os botões.

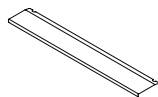


Figura 15

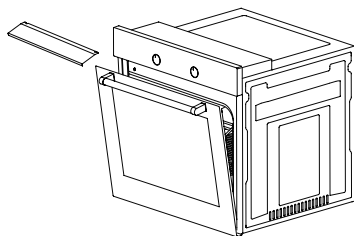


Figura 16

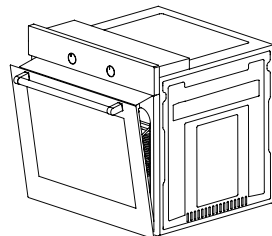


Figura 17

Acendimento Manual Do Forno

Na eventualidade de uma falha elétrica, o queimador do forno poderá ser manualmente aceso:

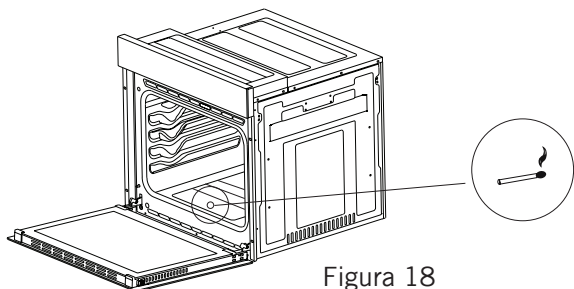


Figura 18

1. Abra a porta do forno
2. Segure no fósforo ou isqueiro junto do orifício do queimador como se vê na figura.
3. Uma vez aceso o queimador, feche a porta do forno.

NOTA: Caso o queimador do forno seja acidentalmente extinto, rode o botão de controlo do forno para a posição de desligado, abra a porta do forno, ventile a cozinha e espere pelo menos um minuto até voltar a tentar acender o queimador.

ATENÇÃO: Está disponível um interruptor automático no forno. Utilize esta funcionalidade quando falhar a alimentação elétrica.

Usar O Assador De Frango *

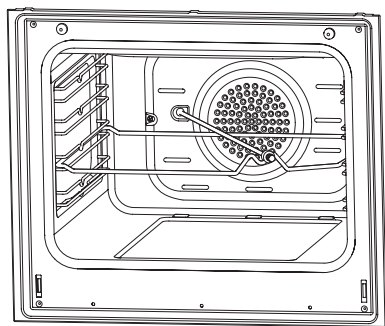
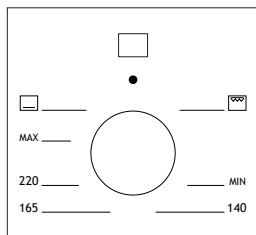


Figura 19







Colocar o espeto no suporte. Deslizar o espeto rotativo no forno no nível pretendido. Localizar uma caçarola no fundo para recolher a gordura. Adicione um pouco de água na caçarola para facilitar a limpeza. Não esquecer de retirar a parte de plástico do espeto. Depois de grelhar, enroscar a pega de plástico no espeto e retirar os alimentos do forno.

TIPOS DE PROGRAMA



Botão Programa Ajuda a definir quais são os queimadores nos quais os alimentos colocados no forno irão ser cozinhados. Os tipos de programa do aquecedor neste botão e as suas funções são indicados abaixo. Pode acontecer que todos os modelos não tenham todos os tipos de queimadores e portanto os tipos do programa destes queimadores.

Os tipos de programa de aquecimento no seu aparelho e importantes explicações sobre os mesmos são fornecidas abaixo para que possa cozinhar diferentes alimentos conforme o seu gosto.

	Queimador do forno		Queimador do grelhador
	Frango assado		Lâmpada
	Temporizador		Ventoinha turbo *

Queimador do forno: Poderá voltar a aquecer refeições utilizando o aquecimento inferior. é também muito adequado para o aquecimento para a preservação dos alimentos.

Queimador do grelhador: Esta função é utilizada para grelhar. Coloque comida na grelha e coloque esta última no rack superior do forno. Depois coloque o tabuleiro profundo do forno debaixo da grelha.

RECOMENDAÇÕES PARA A COZEDURA

Pode encontrar na tabela a seguir as informações dos tipos de alimentos dos quais testamos e identificamos os seus valores de cozedura em nossos laboratórios. Os tempos de cozedura podem variar de acordo com a tensão da rede, a qualidade do material a ser cozinhado, a quantidade e a temperatura. Os pratos a cozinhar utilizando estes valores podem não estar ao seu gosto. Pode definir vários valores para obter diferentes sabores e resultados consoante as suas preferências, através da realização de testes.

AVISO: O forno deve ser pré-aquecido por 7-10 minutos antes de se introduzir o alimento.

Tabela De Cozedura

Alimento	Cozedura Função	Cozedura Temperatura (°C)	Rack de cozedura	Cozedura Tempo de cozedura (min.)
Bolo	Forno	170-180	3	35-45
Pequenos bolos	Forno	170-180	3	25-30
Tarte	Forno	180-200	3	35-45
Pastelaria	Forno	180-190	3	20-25
Bolachas	Forno	170-180	3	20-25
Tarte de maçã	Forno	180-190	3	50-70
Pão-de-ló	Forno	200/150*	3	20-25
Pizza	Forno	180-200	3	20-30
Lasanha	Forno	180-200	3	25-40
Merengue	Forno	100	3	50
Frango grelhado **	Grelhador	200-220	3	25-35
Peixe grelhado **	Grelhador	200-220	3	25-35
Bife de vitela **	Grelhador	Max	4	15-20
Almôndegas grelhadas **	Grelhador	Max	4	20-25

* Não pré-aqueça. Recomenda-se que a primeira metade do tempo de cozedura seja realizada a 200 °C, enquanto a outra metade a 150 °C.

** Os alimentos devem ser virados após a metade do tempo de cozedura.

MANUTENÇÃO E LIMPEZA

1. Retire a ficha de alimentação da tomada.
2. Não limpe as partes internas, painel, tabuleiros e outras partes do produto com ferramentas aguçadas como escovas, esponjas de aço ou facas. Não utilize abrasivos, materiais raspantes ou detergente.
3. Enxague após limpar as partes no interior do produto com um pano com sabão, depois seque completamente com um pano macio.
4. Limpe as superfícies de vidro com produtos especiais para limpeza de vidros.
5. Não limpe o seu produto com limpadores a vapor.
6. Nunca utilize materiais combustíveis como ácido, diluente ou gás durante a limpeza do seu produto.
7. Não lave qualquer parte do produto na máquina de lavar loiça.
8. Utilize estearato de potássio (sabão suave) para sujidades e nódoas.

Limpeza Do Vidro Do Forno

Levante pressionando as travas de plástico do lado esquerdo e direito, como exibido na figura 20 e puxando o perfil para si, como na figura 21. O vidro é libertado depois do perfil ser removido, como exibido na figura 22. Extraia o vidro solto puxando cuidadosamente para si. O vidro exterior está fixado ao perfil da porta do forno. Pode executar a limpeza do vidro facilmente depois dos vidros serem liberados. Pode montar novamente os vidros realizando operações inversas, após a limpeza e a manutenção estarem concluídas. Assegure se de que o perfil está assentado corretamente no sítio.

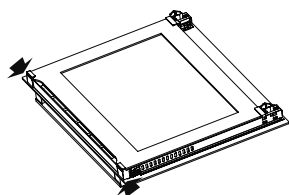


Figura 20

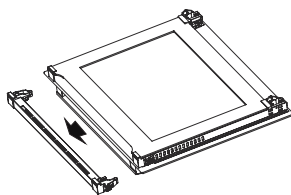


Figura 21

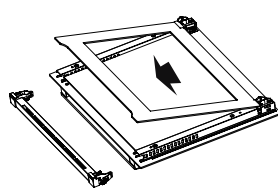


Figura 22

Limpeza E A Montagem Da Porta Do Forno

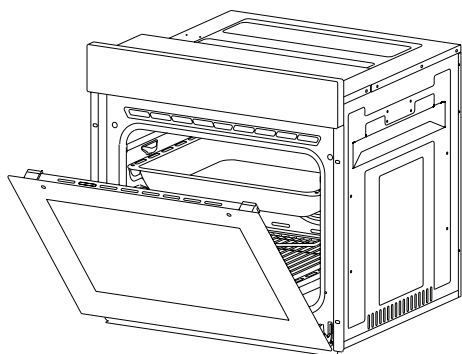


Figura 23

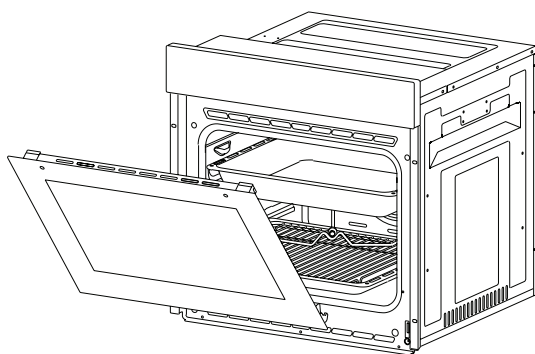


Figura 24

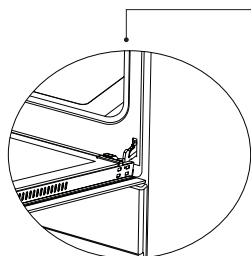


Figura 23.1

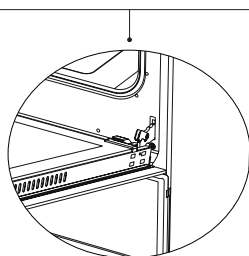


Figura 23.2

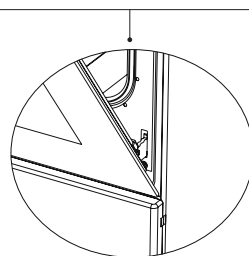


Figura 24.1

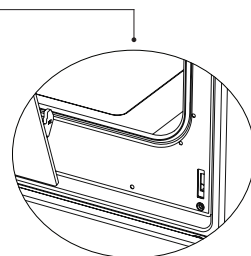


Figura 24.2

Abra totalmente a porta puxando a porta do forno para si. Então realize a operação de desbloqueio ao puxar a trava da dobradiça para cima com a ajuda de uma chave de fendas, como indicado na **figura 23.1**.

Ajuste a trava da dobradiça para o ângulo mais largo, como na **figura 23.2**. Ajuste ambas as dobradiças ligando a porta do forno ao forno para a mesma posição.

Em seguida, feche a porta do forno aberta de modo que possa estar em posição de contacto com a trava da dobradiça, como na **figura 24.1**.

Para facilitar a extração da porta do forno, quando ele estiver perto de posição fechada, segure a tampa com as duas mãos, como mostrado na **figura 24.2** e puxe para cima.

Em sentido inverso, execute respetivamente o que fez durante a abertura da porta para reinstalar a porta do forno.

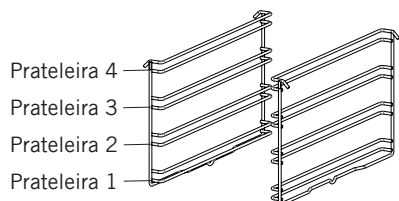
Paredes Catalíticas *

As paredes catalíticas estão localizadas à esquerda e à direita da cavidade sob a guias. As paredes catalíticas erradicam o mau cheiro e obtêm o melhor desempenho do fogão. As paredes catalíticas também absorvem os resíduos de óleo e limpam o seu fogão enquanto ele está a funcionar.

Remover as paredes catalíticas

Para remover as paredes catalíticas, as guias têm de ser puxadas para fora. Assim que as guias são puxadas para fora, as paredes catalíticas são soltas automaticamente. As paredes catalíticas têm de ser mudadas ao fim de 2-3 anos.

Posições Da Grelha



É importante colocar corretamente a grelha de arame no forno. Não permitir que a grelha entre em contacto com a parede traseira do forno. As posições da grelha são mostradas na figura seguinte. Pode colocar um tabuleiro fundo ou um tabuleiro normal nas grelhas de arame inferior e superior.

Instalar e retirar as grelhas de arame

Para retirar as grelhas de arame, premir os cliques mostrados com setas na figura, retirar primeiro o lado inferior e depois o superior do local de instalação. Para instalar grelhas de arame; inverter o procedimento para a remoção das grelhas de arame.

Substituição Da Lâmpada Do Forno

AVISO: Para evitar choques eléctricos, certifique-se que o circuito do aparelho está aberto antes de trocar a lâmpada. (o circuito aberto significa que a energia está desligada)

Primeiro, desligue a alimentação do aparelho e certifique-se que o mesmo está arrefecido.

Remova o vidro de proteção rodando conforme indicado na figura do lado esquerdo. Se tiver dificuldades para o rodar, utilize luvas de plástico para a ajudar na tarefa.

Em seguida, remova a lâmpada rodando, instale a lâmpada nova com as mesmas especificações.

Reinstale a proteção do vidro, ligue o cabo de alimentação do aparelho à tomada eléctrica e conclua a substituição. Agora pode utilizar o seu forno.

Lâmpada Tipo G9



220-240 V, AC
15-25 W

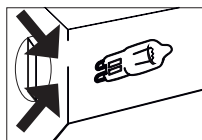


Figura 25

Lâmpada Tipo E14



220-240 V, AC
15 W



Figura 26

ADVERTÊNCIA: Este produto tem fonte de luz com classe de eficiência energética G.

RESOLUÇÃO DE PROBLEMAS

Pode resolver os problemas que pode encontrar no seu produto verificando os seguintes pontos antes de chamar a assistência técnica.

Pontos de verificação

Caso tenha algum problema com o forno, verificar primeiro a tabela abaixo e experimentar as sugestões.

Problema	Causa Possível	O que fazer
O forno não funciona.	Fonte de alimentação não disponível.	Verificar a fonte de alimentação.
	Fornecimento de gás não disponível.	Verificar se a válvula principal do gás está aberta.
		Verificar se a mangueira de gás está dobrada ou torcida.
		Assegurar que a mangueira de gás está ligada ao forno.
	Verificar se está a ser usada a válvula adequada do gás.	
O forno para durante a cozedura.	A ficha sai da tomada da parede.	Voltar a instalar a ficha na tomada de parede.
Desliga-se durante a cozedura.	Funcionamento contínuo durante muito tempo.	Deixar o forno arrefecer após longos ciclos de cozedura.
	Mais do que uma ficha numa tomada de parede.	Usar apenas uma ficha para cada tomada de parede.
A porta do forno não está a abrir adequadamente.	Resíduos alimentares presos entre a porta e a cavidade interior.	Limpar bem o forno e tentar voltar a abrir a porta.
Choque elétrico quando tocar no forno.	Ligação à terra não adequada.	Assegurar que a alimentação está ligada à terra adequadamente.
	Está a ser usada tomada de parede sem ligação à terra.	

Problema	Causa Possível	O que fazer
Está a pingar água.	Sob certas condições, pode ser gerada água ou vapor, dependendo do alimento a ser cozinhado. Isto não é uma avaria do aparelho.	Deixar o forno arrefecer e, em seguida, secar com um pano da loiça.
Vapor a sair de uma fissura na porta do forno.		
Água existente no interior do forno.		
Forno não aquece.	Porta do forno está aberta.	Fechar a porta e reiniciar.
	Controlos do forno não estão ajustados corretamente.	Ler a secção referente ao funcionamento do forno e reiniciar o forno.
	Fusível desarmado ou disjuntor desligado.	Substituir o fusível ou reiniciar o disjuntor. Se isto se repetir frequentemente, ligar a um electricista.
Fumo a sair durante o funcionamento.	Quando o forno funcionar pela primeira vez.	Fumo sai dos aquecedores. Isto não é uma avaria. Após 2-3 ciclos já não haverá fumo.
	Alimento no aquecedor.	Deixar o forno arrefecer e limpar resíduos de alimentos do aquecedor.
Quando o forno está em funcionamento sai cheiro a queimado ou a plástico	Estão a ser usados dentro do forno acessórios de plástico ou outros não resistentes ao calor.	Com temperaturas elevadas, utilizar os acessórios em vidro adequados
O forno não cozinha bem.	A porta do forno é aberta frequentemente durante a cozedura.	Não abrir frequentemente a porta do forno se o alimento que estiver a cozinhar não precisar de ser rodado. Se abrir a porta frequentemente a temperatura interior cai e conseqüentemente o resultado da cozedura será influenciado.
A luz interior está fraca ou não funciona.	Objeto estranho que cobre a lâmpada durante a cozedura.	Limpar a superfície interior do forno e verificar novamente.
	A lâmpada pode estar fundida.	Substituir por uma lâmpada com as mesmas especificações.

REGRAS DE MANUSEAMENTO

1. Não usar a porta e/ou a pega para transportar ou mover o aparelho.
2. Realizar a movimentação e transporte na embalagem original.
3. Prestar muita atenção ao aparelho durante o carregamento/descarregamento e manuseio.
4. Assegurar que a embalagem está firmemente fechada durante o manuseio e transporte.
5. Proteger de fatores externos (tais como humidade, água, etc.) que possam danificar a embalagem.
6. Ter cuidado para não danificar o aparelho devido a colisões, choques, quedas, etc. durante o manuseio e transporte e para não o partir ou deformar durante a operação.

RECOMENDAÇÕES DE EFICIÊNCIA ENERGÉTICA

Os seguintes detalhes irão ajudar a utilizar o produto ecológica e economicamente.

1. Usar recipientes de cor escura e esmalte que conduzam melhor o calor no forno.
2. Ao cozinhar os seus alimentos, se a receita ou o manual do utilizador indicar que o pré-aquecimento é necessário, pré-aqueça o forno.
3. Não abrir frequentemente a porta do forno enquanto cozinhar.
4. Tentar não cozinhar simultaneamente vários pratos no forno. Pode cozinhar ao mesmo tempo colocando dois tabuleiros na grelha de arame.
5. Cozinhar vários pratos sucessivamente. O forno não perderá calor.
6. Desligar o forno alguns minutos antes de terminar o tempo de cozedura. Neste caso, não abrir a porta do forno.
7. Descongelar os alimentos congelados antes de cozinhar.

ELIMINAÇÃO AMIGA DO AMBIENTE



Elimine a embalagem em condições amigas do ambiente. Este aparelho está etiquetado de acordo com a Diretiva Europeia 2012/19/UE relativa a aparelhos elétricos e eletrónicos usados (Resíduos de Equipamentos Elétricos e eletrónicos REEE). As orientações determinam o enquadramento para a devolução e reciclagem de aparelhos elétricos aplicável em toda a UE.

INFORMAÇÃO SOBRE A EMBALAGEM

Os materiais de embalagem do produto são fabricados a partir de materiais recicláveis, de acordo com as nossas Normas Ambientais Nacionais. Não elimine os materiais de embalagem junto com o lixo doméstico ou outros. Leve-os aos pontos de recolha de material de embalagem indicados pelas autoridades locais.

Szanowny kliencie,

Dziękujemy za zakup naszego produktu i Państwa zaufanie.

Chcemy umożliwić Państwu optymalne i skuteczne wykorzystanie opisywanego ekologicznego produktu wytwarzanego w naszych nowoczesnych zakładach, zapewniających szczególnie warunki dotyczące szeroko rozumianej jakości.

Przez rozpoczęciem użytkowania piekarnika radzimy szczegółowo zapoznać się z niniejszym podręcznikiem obsługi i zachować go na przyszłość tak, aby funkcje zakupionego przez Państwa piekarnika do zabudowy przez długi czas pozostały w takim stanie, jak pierwszego dnia po zakupie.

Uwaga: Niniejszy podręcznik obsługi ma zastosowania do wielu modeli produktu. Państwa urządzenie może nie być wyposażone w niektóre funkcje wyszczególnione w podręczniku.

Obrazy produktu mają charakter schematyczny.

Opisywany produkt został wytworzony w nowoczesnych i ekologicznych zakładach, które nie są szkodliwe dla środowiska.

Products oznaczone jako (*) są opcjonalne.

„Produkt zgodny z regulacją AEEE”

Spis treści

Ważne ostrzeżenia.....	168
Połączenia elektryczne.....	180
Podłączenie gazu.....	181
Opis urządzenia.....	185
Akcesoria.....	186
Dane techniczne.....	187
Montaż urządzenia.....	187
Panel sterowania.....	193
Obsługa piekarnika.....	195
Korzystanie z grilla.....	196
Korzystanie z blachy deflektora grilla.....	196
Ręczne zapalanie piekarnika.....	197
Pieczenie kurczaka.....	197
Typy programów.....	198
Zalecenia dotyczące pieczenia.....	198
Tabela pieczenia.....	199
Konserwacja i czyszczenie.....	200
Czyszczenie szklanych powierzchni piekarnika.....	200
Czyszczenie i montaż drzwiczek piekarnika.....	201
Panele katalityczne.....	202
Pozycje rusztu.....	202
Wymiana żarówki piekarnika.....	203
Rozwiązywanie problemów.....	204
Zasady przenoszenia.....	206
Zalecenia dotyczące oszczędzania energii.....	206
Przyjazna środowisku utylizacja.....	207
Informacje opakowaniu.....	207

WAŻNE OSTRZEŻENIA

1. Instalacja i naprawa powinny zawsze być wykonywane przez „**AUTORYZOWANY SERWIS**”. Producent nie ponosi odpowiedzialności za czynności wykonywane przez osoby nieuprawnione.

2. Proszę uważnie przeczytać tę instrukcję obsługi. Tylko w ten sposób można bezpiecznie i prawidłowo korzystać z urządzenia.

3. Piekarnik powinien być używany zgodnie z instrukcją obsługi.

4. Utrzymuj dzieci w wieku poniżej 8 lat i zwierzęta domowe z dala od urządzenia podczas jego pracy.

5. **Dostępne części mogą się bardzo nagrzać podczas korzystania z urządzenia. Małe dzieci nie mogą zbliżać się do urządzenia.**

6. **OSTRZEŻENIE: Ryzyko pożaru: nie przechowuj przedmiotów na powierzchniach do gotowania.**

7. **OSTRZEŻENIE: Podczas pracy urządzenie rozgrzewa się. Powinno się zachować ostrożność i unikać dotykania elementów grzejnych wewnątrz kuchenki.**

8. Warunki ustawienia tego urządzenia są podane na etykiecie. (Lub na tabliczce znamionowej)

9. Dostępne części mogą być gorące, gdy używany jest grill. Małe dzieci nie powinny się zbliżać do urządzenia.

10. OSTRZEŻENIE: To urządzenie jest przeznaczone do gotowania. Nie należy go używać do innych celów, np. do ogrzewania pomieszczenia.

11. Aby wyczyścić urządzenie, nie używaj wytwornic pary.

12. Po włożeniu żywności do piekarnika upewnij się, że drzwiczki są całkowicie zamknięte.

13. NIGDY nie próbuj gasić ognia wodą. Wyłącz obwód elektryczny urządzenia i przykryj płomień narzutą lub kocem przeciwpożarowym.

14. OSTRZEŻENIE: Dzieci poniżej 8 roku życia, o ile nie są nieustannie pilnowane, nie powinny się zbliżać do urządzenia.

15. Powinno się unikać dotykania elementów grzejnych.

16. OSTROŻNIE: Proces gotowania musi być nadzorowany.

17. Urządzenie może być używane przez dzieci powyżej 8 lat lub przez osoby z ograniczonymi zdolnościami fizycznymi, czuciowymi i umysłowymi lub brakiem doświadczenia i wiedzy, o ile odbywa się to pod nadzorem lub otrzymały instrukcje odnośnie używania urządzenia w bezpieczny sposób i rozumieją związane z tym zagrożenia. Dzieci nie powinny bawić się tym urządzeniem. Czyszczenie i konserwacja nie mogą być wykonywane przez dzieci bez nadzoru.

18. To urządzenie zostało zaprojektowane wyłącznie do użytku domowego.

19. Dzieciom nie wolno używać urządzenia do zabawy. Czyszczenie i konserwacja urządzenia nie powinny być wykonywane przez dzieci poniżej 8 roku życia i bez nadzoru osoby dorosłej.

20. Trzymaj urządzenie i jego przewód zasilania poza zasięgiem dzieci poniżej 8 roku życia.

21. Przed rozpoczęciem korzystania z urządzenia należy umieścić zasłony, tiule, papier lub inne łatwopalne (zapalne) materiały z dala od niego. Nie umieszczaj zapalnych lub łatwopalnych materiałów na lub w urządzeniu.

22. Utrzymuj kanały wentylacyjne otwarte.

23. Urządzenie nie może być używane w połączeniu z zewnętrznym wyłącznikiem czasowym lub osobnym zdalnym urządzeniem sterującym.

24. Nie podgrzewaj zamkniętych puszek i szklanych słoików. Ciśnienie może doprowadzić do eksplozji.

25. Uchwyt piekarnika nie jest suszarką do ręczników. Nie wieszaj ręczników, itp. na uchwycie piekarnika.

26. Nie umieszczaj tacek piekarnika, talerzy ani folii aluminiowych bezpośrednio na dnie piekarnika. Nagromadzone ciepło może uszkodzić dno piekarnika.

27. Podczas umieszczania żywności lub jej wyjmowania z piekarnika, itp. zawsze używaj rękawic kuchennych odpornych na ciepło.

28. Nie należy używać urządzenia po zażyciu leków i/lub pod wpływem alkoholu, co może wpływać na zdolność oceny sytuacji.

29. Zachowaj ostrożność, gdy używasz alkoholu w żywności. Alkohol odparuje w wysokich temperaturach i może zapalić się, powodując pożar, jeśli wejdzie w kontakt z gorącymi powierzchniami.

30. Po każdym użyciu sprawdź, czy urządzenie jest wyłączone.

31. Jeśli urządzenie jest uszkodzone lub ma widoczne uszkodzenia, nie należy go używać.

32. Nie dotykaj wtyczki zasilania mokrymi rękami. Nie ciągnij za kabel, aby odłączyć zasilanie, zawsze trzymaj za wtyczkę.

33. Nie używaj urządzenia, gdy jego przednie szklane drzwiczki są zdjęte lub uszkodzone.

34. Włóż papier do pieczenia wraz z jedzeniem do wstępnie ogrzanego piekarnika lub skorzystaj z akcesoriów piekarnika (taca, druciany grill, itp.).

35. Nie umieszczaj na urządzeniu przedmiotów, które dzieci mogą dosięgnąć.

36. Ważne jest, aby prawidłowo umieścić druciany grill i tacę na rusztach i/lub prawidłowo umieścić tacę na ruszcie. Umieść grill lub tacę między dwiema prowadnicami i upewnij się, że jest zrównoważona przed położeniem na niej jedzenia.

37. Aby uniknąć ryzyka dotknięcia elementów nagrzewnicy pieca, usuń nadmiar papieru do pieczenia, który wystaje z akcesoriów lub pojemnika.

38. Nigdy nie używaj papieru do pieczenia w wyższych temperaturach piekarnika niż maksymalna temperatura użytkowania wskazana na papierze. Nie umieszczaj papieru do pieczenia na dnie piekarnika. Aby uniknąć ryzyka dotknięcia elementów nagrzewnicy pieca, usuń nadmiar papieru do pieczenia, który wystaje z akcesoriów lub pojemnika.

39. Gdy drzwiczki są otwarte, nie umieszczaj na nich ciężkich przedmiotów ani nie pozwalaj dzieciom na siadanie na nich. Może to spowodować przewrócenie się piekarnika lub uszkodzenie zawiasów drzwiczek.

40. Materiały opakowaniowe są niebezpieczne dla dzieci. Trzymaj materiał użyty do opakowania z dala od dzieci.

41. Do czyszczenia szkła nie używaj szorstkich środków czyszczących lub ostrych metalowych skrobaków, ponieważ zarysowania, które mogą wystąpić na powierzchni szyby drzwiczek, mogą doprowadzić do jej pęknięcia.

42. Użytkownik nie powinien sam przenosić piekarnika.

43. Podczas użytkowania wewnętrzne i zewnętrzne powierzchnie piekarnika nagrzewają się. Kiedy otwierasz drzwiczki piekarnika, cofnij się, aby uniknąć gorących oparów wydostających się z jego wnętrza. Istnieje ryzyko poparzenia.

44. Nie kładź ciężkich przedmiotów, gdy drzwiczki piekarnika są otwarte, ryzyko przewrócenia.

45. Użytkownik nie powinien wyciągać grzałki podczas czyszczenia. Może to spowodować porażenie prądem.

46. Zasilanie piekarnika można rozłączyć podczas wszelkich prac budowlanych w domu. Po zakończeniu prac ponowne podłączenie piekarnika powinno być wykonane przez autoryzowany serwis.

47. Aby zapobiec przegrzaniu, urządzenie nie powinno być instalowane za ozdobną zasłoną.

48. Wyłącz urządzenie przed usunięciem zabezpieczeń. Po czyszczeniu zamontuj zabezpieczenia zgodnie z instrukcjami.

49. Punkt mocowania kabla powinien być chroniony.

Bezpieczeństwo elektryczne

1. Podłącz urządzenie do uziemionego gniazdka, zabezpieczonego bezpiecznikiem zgodnym z wartościami podanymi na karcie specyfikacji technicznych.

2. Poproś wykwalifikowanego elektryka o zamontowanie wyposażenia uziemiającego. Nasza firma nie ponosi odpowiedzialności za szkody powstałe w wyniku użytkowania urządzenia bez uziemienia, zgodnie z lokalnymi przepisami.

3. Przełączniki wyłącznika automatycznego piekarnika powinny być umieszczone tak, aby użytkownik mógł ich dosięgnąć po zainstalowaniu piekarnika.

4. Przewód zasilający (przewód z wtyczką) nie powinien stykać się z gorącymi częściami urządzenia.

5. Jeśli przewód zasilający (przewód z wtyczką) jest uszkodzony, powinien on zostać wymieniony przez producenta lub jego przedstawiciela serwisowego lub wykwalifikowanego fachowca, aby zapobiec niebezpiecznej sytuacji.

6. Nie wolno myć produktu, spryskując go lub polewając wodą! Istnieje ryzyko porażenia prądem!

7. OSTRZEŻENIE: Aby uniknąć porażenia prądem, wyłącz obwód elektryczny urządzenia przed wymianą żarówki.

8. OSTRZEŻENIE: Odetnij wszystkie połączenia obwodu zasilania przed uzyskaniem dostępu do zacisków.

9. Nie używaj przeciętych lub uszkodzonych przewodów ani przedłużaczy innych niż oryginalny przewód.

10. Upewnij się, że w gniazdku, do którego włożona jest wtyczka urządzenia, nie ma cieczy ani wilgoci.

11. Tylna powierzchnia piekarnika również nagrzewa się podczas pracy piekarnika. Połączenia elektryczne nie mogą dotykać tylnej powierzchni, w przeciwnym razie mogą zostać uszkodzone.

12. Nie przymocowuj przewodów przyłączeniowych do drzwiczek piekarnika i nie prowadź ich na gorących powierzchniach. Jeśli przewód się stopi, może to spowodować zwarcie w piekarniku, a nawet pożar.

13. Podczas instalacji, konserwacji, czyszczenia i naprawy, urządzenie powinno być odłączone od zasilania.

14. Jeśli kabel zasilania jest uszkodzony, musi on zostać wymieniony przez jego producenta lub autoryzowany serwis techniczny lub inny personel posiadający odpowiednie kwalifikacje w celu uniknięcia niebezpiecznych sytuacji.

15. Upewnij się, że wtyczka jest solidnie włożona do gniazdka ściennego, aby uniknąć iskrzenia.

16. Nie używaj wytwornic pary do czyszczenia urządzenia, w przeciwnym razie może dojść do porażenia prądem.

17. Do instalacji wymagany jest przełącznik omnipolarny umożliwiający odłączenie zasilania. Odłączenie od zasilania powinno być zapewnione przez zainstalowany wyłącznik lub zintegrowany bezpiecznik, zgodnie z przepisami budowlanymi.

18. Urządzenie wyposażone jest w kabel **typu „Y”**.

19. Połączenia stałe należy podłączyć do źródła zasilania umożliwiającego odłączenie omnipolarne. W przypadku urządzeń z kategorią nadnapięcia poniżej III, urządzenie odłączające należy podłączyć do stałego źródła zasilania zgodnie z przepisami budowlanymi.

Bezpieczeństwo gazowe


1. To urządzenie nie jest podłączone do urządzenia ewakuacji produktów spalania. To urządzenie musi być podłączone i zainstalowane zgodnie z obowiązującymi przepisami instalacyjnymi. Należy uwzględnić warunki dotyczące wentylacji.

2. Gdy używane jest urządzenie do gotowania gazowego: w pomieszczeniu wytwarzane są produkty spalania, wilgoć i ciepło. Przede wszystkim upewnij się, że kuchnia jest dobrze wentylowana podczas obsługi urządzenia i utrzymuj w czystości naturalne otwory wentylacyjne lub zainstaluj mechaniczny sprzęt wentylacyjny.

3. Po intensywnym użytkowaniu urządzenia przez dłuższy czas, może być wymagana dodatkowa wentylacja. Na przykład otwórz okno lub ustaw wyższą prędkość dla wentylacji mechanicznej, jeśli taka jest.

4. Urządzenie to może być używane tylko w dobrze wentylowanych pomieszczeniach zgodnie z obowiązującymi przepisami. Przeczytaj ten podręcznik użytkownika przed instalacją lub używaniem tego urządzenia.

5. Przed ustawieniem urządzenia upewnij się, że warunki sieci lokalnej (rodzaj gazu i ciśnienie gazu) odpowiadają wymaganiom urządzenia.



6. Wszelkie czynności wykonywane przy instalacji gazowej muszą być wykonywane przez upoważnione i kompetentne osoby.

7. To urządzenie jest dostosowane do gazu ziemnego (NG). Jeśli musisz używać urządzenia z innym rodzajem gazu, musisz wystąpić do autoryzowanego serwisu o jego konwersję.

8. Aby zapewnić prawidłowe działanie, okap, rura gazowa i zacisk powinny być okresowo wymieniane zgodnie z zaleceniami producenta i w razie potrzeby.

9. Gaz powinien dobrze palić się w urządzeniach gazowych. Dobrze palący się gaz ma niebieski płomień i pali się nieprzerwanie. Jeśli gaz nie spala się wystarczająco dobrze, może wytwarzać się tlenek węgla (CO). Tlenek węgla jest bezbarwnym, bezwonym i bardzo toksycznym gazem: nawet małe ilości mają śmiertelne skutki.

10. Zapytaj lokalnego dostawcę gazu o numery telefonów w nagłych wypadkach związanych z gazem oraz o środki, jakie należy podjąć po wykryciu zapachu gazu.

Co zrobić, gdy wykryty zostanie zapach gazu

- 1.** Nie używaj otwartego ognia i nie pal.
- 2.** Nie używaj żadnego przełącznika elektrycznego (np.: włącznika światła lub dzwonka do drzwi).
- 3.** Nie używaj telefonu ani telefonu komórkowego.
- 4.** Otwórz drzwi i okna.
- 5.** Zakręć wszystkie zawory urządzeń, które wykorzystują gaz oraz liczniki gazu.
- 6.** Zadzwoń po straż pożarną z telefonu poza domem.
- 7.** Sprawdź wszystkie węże i ich połączenia pod kątem nieszczelności. Jeśli nadal czujesz gaz, opuść dom i ostrzeż swoich sąsiadów.
- 8.** Nie wchodź do domu, dopóki władze nie stwierdzą, że jest to bezpieczne.

Przeznaczenie

1. Ten produkt jest przeznaczony do użytku domowego. Komercyjne korzystanie z urządzenia jest niedozwolone.
2. To urządzenie może być używane wyłącznie do gotowania. Nie należy go używać do innych celów, np. do ogrzewania pomieszczenia.
3. Urządzenia nie wolno używać do podgrzewania talerzy pod grillem, suszenia ubrań lub ręczników przez zawieszenie ich na uchwycie lub do celów grzewczych.
4. Producent nie bierze na siebie odpowiedzialności za jakiegokolwiek uszkodzenia spowodowane niepoprawnym użytkowaniem lub obsługą.
5. Część piekarnikowa może być używana do rozmrażania, pieczenia, smażenia i grillowania potraw.
6. Okres użytkowania zakupionego produktu wynosi 10 lat. Jest to okres, w którym części zamienne wymagane do określonego działania tego urządzenia są zapewniane przez producenta.

Połączenia Elektryczne

Piekarnik powinien zostać zamontowany i prawidłowo podłączony w miejscu użytkowania przez autoryzowane centrum serwisowe w sposób zgodny z instrukcją producenta.

Urządzenie należy zamontować w obudowie piekarnika, zapewniającej wysoki poziom wentylacji.

Połączenia elektryczne urządzenia należy nawiązywać wyłącznie za pomocą gniazdek wyposażonych w system uziemienia, w sposób zgodny z zasadami. W razie braku gniazdka zgodnego z wymogami dotyczącymi systemu uziemiającego w miejscu montażu urządzenia należy skontaktować się z autoryzowanym elektrykiem. Producent w żaden sposób nie odpowiada za szkody spowodowane podłączeniem nieuziemionych gniazdek do urządzenia.

Wtyczka piekarnika musi być uziemiona; należy upewnić się, że gniazdko wtyczki jest uziemione. Wtyczka musi znajdować się w miejscu łatwo dostępnym po zakończeniu montażu.

Piekarnik został wyprodukowany jako urządzenie charakteryzujące się wartościami 220-240 V 50/60 Hz. Urządzenie jest zasilane prądem zmiennym i wymaga zastosowania bezpiecznika 16 Amp. Jeśli wartości sieci zasilającej różnią się od wskazanych, należy skonsultować się z elektrykiem lub autoryzowanym centrum serwisowym.

W razie konieczności wymiany bezpiecznika elektrycznego prosimy upewnić się, że połączenie elektryczne zostało nawiązane w następujący sposób:

- Brązowy przewód fazy (do zacisku pod napięciem)
- Niebieski przewód do zacisku neutralnego
- Żółto-zielony przewód do zacisku uziemienia

Przełączniki odłączające zasilanie piekarnika muszą znajdować się w miejscu dostępnym dla użytkownika w miejscu użytkowania piekarnika.

Przewód zasilający (wtyczka w przewodzie) nie może stykać się z gorącymi częściami urządzenia.

Aby uniknąć niebezpiecznej sytuacji, jeśli przewód zasilający (wtyczka w przewodzie) jest uszkodzony, przewód musi zostać wymieniony przez importera, agenta obsługi lub personel o podobnych kompetencjach.

Podłączenie Gazu

OSTRZEŻENIE: Przed rozpoczęciem jakichkolwiek prac związanych z instalacją gazową, należy odciąć dopływ gazu. Ryzyko wybuchu.

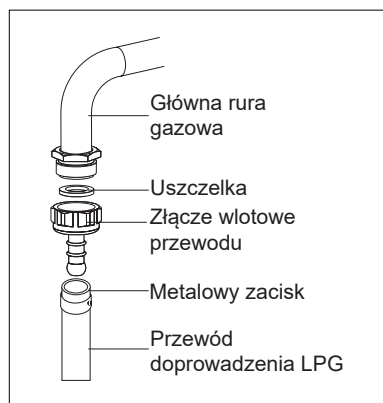
OSTRZEŻENIE: Wąż gazowy i połączenie elektryczne urządzenia nie powinny przechodzić obok gorących obszarów, takich jak tył urządzenia. Wąż gazowy należy podłączyć wykonując zwoje szerokokątne, aby nie dopuścić do zerwania. Ruch urządzenia, do którego podłączono gaz, może spowodować wyciek gazu.

OSTRZEŻENIE: Dokonując kontroli wycieku gazu; nigdy nie używaj zapalniczek, zapalek, świecącego papierosa ani podobnych materiałów łatwopalnych.

Podłącz urządzenie do piekarnika gazowego w najkrótszy sposób i w sposób zapobiegający wyciekom. Ze względów bezpieczeństwa zastosowany wąż powinien mieć maksymalnie 125 cm i minimum 40 cm.

Zastosuj bańkę mydlaną w miejscu połączenia. W przypadku jakiegokolwiek wycieku powstanie pianienie w obszarze mydłanym.

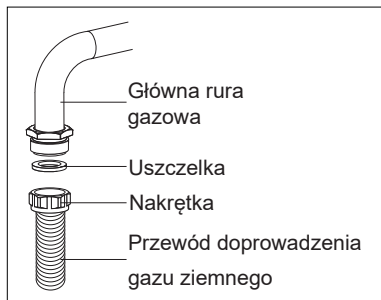
Do podłączenia LPG;



Aby podłączyć LPG (butli), przymocuj metalowy zacisk na węży pochodzącym z butli LPG. Przymocuj krawędź węża do złączki wlotu węża za urządzeniem, popychając do końca, ogrzewając wąż w gotowanej wodzie. Następnie, należy przesunąć zacisk w kierunku końca węża i dokręcić śrubokrętem. Uszczelka i złącze wlotu węża wymagane do podłączenia pokazano na ilustracji poniżej.

UWAGA: Na butli LPG należy zamocować reduktor 300mm SS.

Do podłączenia gazu ziemnego;



OSTRZEŻENIE: Podłączenie gazowe urządzenia powinno zostać wykonane przez autoryzowany serwis. W przypadku instalacji gazu ziemnego należy założyć uszczelkę na nakrętkę na końcu przewodu doprowadzającego gaz ziemny. Aby podłączyć przewód do rury gazowej, należy dokręcić nakrętkę. Sprawdzić szczelność instalacji gazowej.

Wentylacja pomieszczenia

Powietrze wymagane do procesu spalania jest pobierane z pomieszczenia, a gazy wytwarzane w wyniku spalania są emitowane do tego pomieszczenia. W celu zapewnienia bezpiecznego użytkowania tego produktu należy wcześniej zapewnić odpowiednią wentylację w pomieszczeniu. Jeśli w pomieszczeniu nie ma okna ani miejsca zapewniającego wentylację, należy zastosować dodatkową instalację wentylacyjną. Jeśli jednak w pomieszczeniu są drzwi wychodzące na zewnątrz budynku, nie są wymagane dodatkowe otwory wentylacyjne.

Kubatura pomieszczenia	Otwór wentylacyjny
Mniej niż 5 m ³	min. 100 cm ²
5-10 m ³	min. 50 cm ²
Mniej niż 10 m ³	niewymagany
W podziemiu lub piwnicy	min. 65 cm ²

Zredukowane ustawienie natężenia przepływu gazu dla kurków kuchenki

1. Zapal palnik, który ma zostać regulowany i przekręć pokrętkę do pozycji zredukowanej.

2. Zdejmij pokrętkę z kurka gazu.

3. Użyj śrubokrętu o odpowiednim rozmiarze, aby wyregulować śrubę regulacji natężenia przepływu. W przypadku LPG (butan-propan) obróć śrubę zgodnie z ruchem wskazówek zegara. W przypadku gazu ziemnego należy przekręcić śrubę raz przeciwnie do ruchu wskazówek zegara.

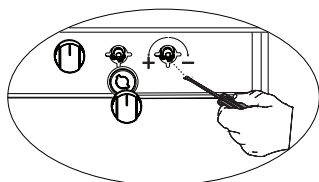
„Normalna długość prostego płomienia w pozycji zredukowanej powinna wynosić 6-7mm.”

4. Jeśli płomień jest wyższy niż żądana pozycja, przekręć śrubę zgodnie z ruchem wskazówek zegara. Jeśli jest mniejszy, przekręć w kierunku przeciwnym do ruchu wskazówek zegara.

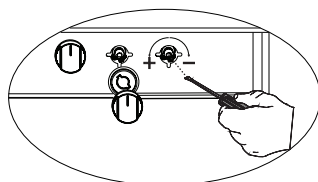
5. W celu przeprowadzenia ostatniej kontroli, odkręć palnik na wyższy płomień, a następnie zmniejsz płomień i sprawdź, czy zgasł, czy nie.

W zależności od rodzaju kurka używanego w urządzeniu, położenie śruby regulacyjnej może być inne.

Aby wyregulować piekarnik zgodnie z zaleceniami co do rodzaju gazu, uważnie ustaw zredukowany płomień, obracając śrubę na środku kurków za pomocą małego śrubokręta, jak pokazano poniżej, jak również przy zmianie dysz (rys. 6 i 7)



Rys. 1



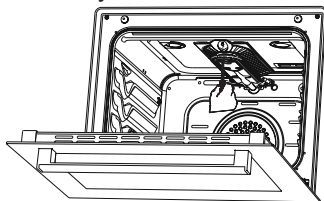
Rys. 2

Demontaż dolnego i górnego palnika oraz montaż iniektora do kuchenki gazowej

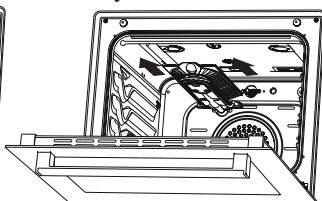
Demontaż górnego palnika:

Za pomocą śrubokrętu odkręć śrubę (rys. 3). Zdejmij palnik, pociągając go do siebie (rys. 4). Zdejmij iniektor z łożyska za pomocą klucza nasadowego (rys. 5). W celu ponownego założenia palnika należy zrealizować powyższą procedurę w odwrotnej kolejności.

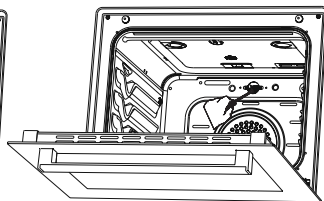
Rys.3



Rys.4



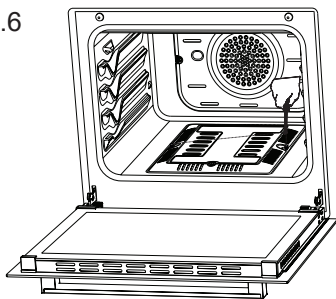
Rys.5



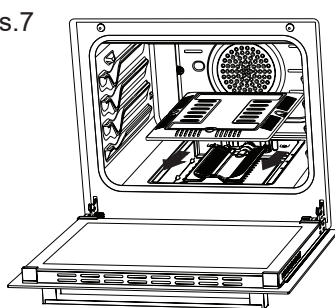
Demontaż dolnego palnika:

Osłona dolnego palnika jest przymocowana dwiema śrubami. Za pomocą śrubokrętu odkręć śrubę (rys. 6). Zdejmij osłonę, pociągając ją do siebie (rys. 7). Zdejmij palnik, pociągając go do siebie (rys. 8). Zdejmij iniektor z łożyska za pomocą klucza nasadowego (rys. 9). W celu ponownego założenia palnika należy zrealizować powyższą procedurę w odwrotnej kolejności.

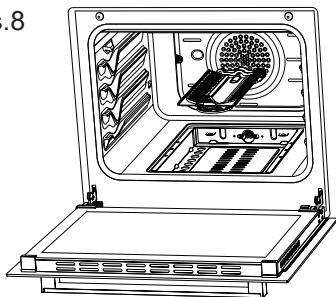
Rys.6



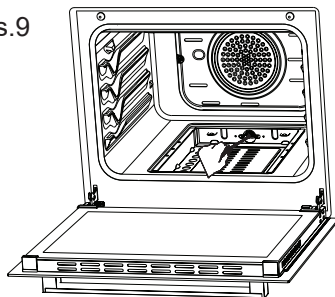
Rys.7



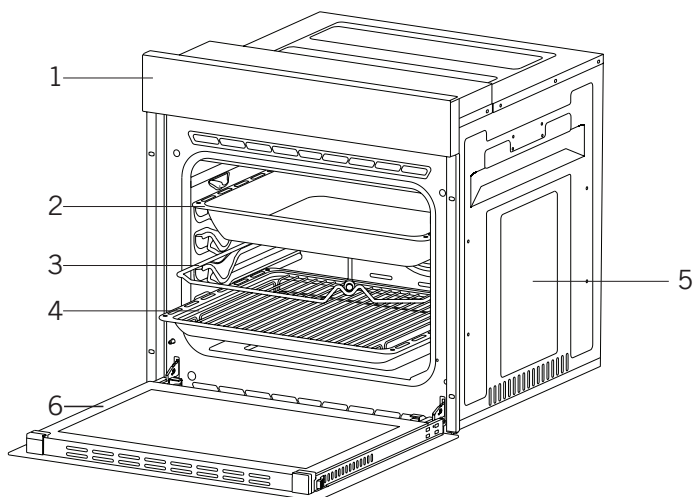
Rys.8



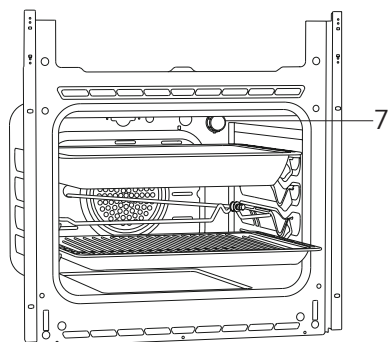
Rys.9



OPIS URZĄDZENIA



1. Panel sterowania
2. Taca głęboka *
3. Rożen do pieczenia kurczaka *
4. Ruszt druciany
5. Boczne ruszty druciane
6. Drzwiczki piekarnika



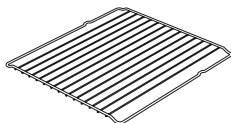
7. Oświetlenie

Aksesoria (opcjonalne)



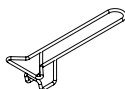
Taca głęboka *

Przeznaczona do wypieków, pieczenia dużych porcji i produktów płynnych. Może służyć też jako zbiornik na olej.



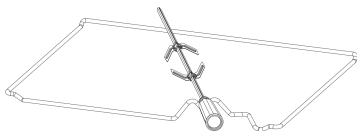
Ruszt druciany

Służy do smażenia lub zapiekania potraw na odpowiedniej półce.



Uchwyt tacy *

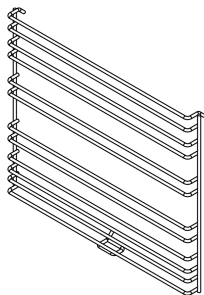
Służy do trzymania gorących tac.



Rożen do pieczenia kurczaka

Rożen do pieczenia kurczaka jest używany przy zamkniętych drzwiach.

Temperaturę grzania można zmieniać w zależności od potrzeb. Na ruszcie najlepiej piec tylko kawałki średniej wielkości.



Boczne ruszty druciane

Umieszczone po obu stronach komory piekarnika, podtrzymują metalowe grille i ociekacze.

UWAGA: Blachy i ruszty piekarnika nie powinny mieć bezpośredniego kontaktu z żywnością. Proszę używać odpowiednich naczyń lub papieru do pieczenia.

Dane Techniczne

Specyfikacje	Piekarnik do zabudowy 60 cm
Moc żarówki	15-25 W
Termostat	100-250 / Max °C
Nagrzewnica grilla	2000 W
Napięcie zasilające	220-240 V 50/60 Hz.

Palnik Specyfikacje	G20,20 mbar G25,25 mbar			G20,25 mbar		G30,28-30 mbar G31,37 mbar		G30,37 mbar		G30,50 mbar	
	Gaz naturalny			Gaz naturalny		LPG		LPG		LPG	
Grill Palnik	Dysza	1,00	mm	0,92	mm	0,70	mm	0,65	mm	0,60	mm
	Przepływ gazu	0,190	m³/h	0,190	m³/h	145	g/h	145	g/h	145	g/h
	Zasilanie	2,00	kW	2,00	kW	2,00	kW	2,00	kW	2,00	kW
Piekarnik Palnik	Dysza	1,10	mm	1,00	mm	0,75	mm	0,70	mm	0,65	mm
	Przepływ gazu	0,238	m³/h	0,238	m³/h	182	g/h	182	g/h	182	g/h
	Zasilanie	2,50	kW	2,50	kW	2,50	kW	2,50	kW	2,50	kW

OSTRZEŻENIE: Wartości średnic zapisane na dyszy są podane bez przecinka. Na przykład: średnica 1,70mm jest podana jako 170 na dyszy.

Dane techniczne mogą podlegać zmianom mającym na celu udoskonalenie jakości produktu bez uprzedniego powiadomienia.

Wartości podane na urządzeniu lub w dołączonych do niego dokumentach stanowią odczyty laboratoryjne, które są zgodne z odpowiednimi normami. Wartości te mogą być różne w zależności od warunków użytkowania i otoczenia.

Rysunki zawarte w niniejszym podręczniku mają charakter schematyczny i mogą nie do końca pokrywać się z danymi Państwa produktu.

MONTAŻ URZĄDZENIA

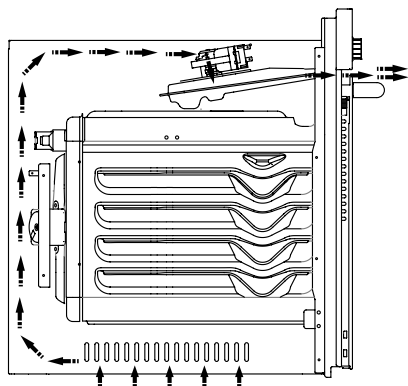
Upewnić się, że instalacja elektryczna jest odpowiednia dla konkretnego zastosowania urządzenia w praktyce. Jeśli tak nie jest, należy wezwać elektryka i hydraulika w celu dokonania koniecznych regulacji. Producent nie ponosi odpowiedzialności za szkody powstałe w związku z czynnościami wykonywanymi przez osoby do tego nieupoważnione, które spowodują utratę gwarancji.

OSTRZEŻENIE: Obowiązkiem klienta jest przygotowanie miejsca do umieszczenia produktu oraz miejsca podłączenia do sieci elektrycznej.

OSTRZEŻENIE: Podczas montażu produktu należy przestrzegać zasad dotyczących lokalnych norm elektrycznych.

OSTRZEŻENIE: Przed rozpoczęciem montażu należy sprawdzić je pod kątem wszelkich uszkodzeń. Uszkodzonego produktu nie należy montować. Uszkodzone produkty stanowią zagrożenie Państwa bezpieczeństwa.

Ważne ostrzeżenia dotyczące montażu:



Rys. 10

Podczas pracy piekarnika wentylator chłodzący powinien odprowadzać nadmiar pary i zapobiegać przegrzaniu zewnętrznych powierzchni urządzenia. Jest to warunek konieczny dla zapewnienia lepszego działania piekarnika i lepszych efektów pieczenia. Wentylator chłodzący powinien działać dalej po zakończeniu pieczenia. Wentylator zostanie automatycznie wyłączony po ukończeniu procesu chłodzenia. W miejscu pracy urządzenia, za obudową, należy pozostawić pewien odstęp, zapewniający wydajną i bezawaryjną pracę urządzenia.

Odstęp ten jest konieczny dla prawidłowej pracy systemu wentylacji urządzenia.

Prawidłowe miejsce do montażu

Produkt jest przeznaczony do montażu do blatów zakupionych na rynku. Należy zachować bezpieczny dystans między produktem a ścianami lub meblami kuchennymi. Prawidłowe odległości można znaleźć na rysunku przedstawionym na kolejnej stronie. (wartości w mm).

- Zastosowane powierzchnie, laminaty syntetyczne i spoiwa muszą być odporne na wysokie temperatury. (co najmniej 100 °C)
- Szafki kuchenne muszą być wypoziomowane zgodnie z położeniem produktu i zabezpieczone.
- Jeśli pod piekarnikiem znajduje się szuflada, między piekarnikiem a szufladą należy umieścić półkę.

OSTRZEŻENIE: Produktu nie należy montować w pobliżu lodówek lub chłodziarek. Ciepło wytwarzane przez produkt zwiększa zużycie energii urządzeń chłodzących.

OSTRZEŻENIE: Drzwiczek i/ani uchwytu nie należy używać do dźwigania lub przesuwania produktu.

Instalacja i montaż piekarnika do zabudowy 60 cm

Miejsce użytkowania produktu musi zostać ustalone przed rozpoczęciem jego montażu.

Produktu nie należy montować w miejscach podlegających działaniu silnego strumienia powietrza.

Produkt powinny dźwigać co najmniej dwie osoby. Nie należy przesuwać produktu, aby nie uszkodzić podłogi.

Należy usunąć wszystkie materiały transportowe znajdujące się wewnątrz i na zewnątrz produktu. Należy wyjąć wszystkie materiały i dokumenty znajdujące się w produkcie.

Montaż podblatowy

Szafka przeznaczona na piekarnik musi mieć wymiary podane na rysunku 11. W tylnej części szafki przeznaczonej na piekarnik należy pozostawić wskazany na rysunku odstęp, zapewniający potrzebny poziom wentylacji.

Odstęp do pozostawienia między dolną i górną częścią szafki przeznaczonej na piekarnik po zakończeniu montażu oznaczono na rysunku 14 literą „A”. Odstęp ten jest wymagany dla zapewnienia wentylacji i nie należy go zasłaniać.

Montaż w podniesionej szafce przeznaczonej na piekarnik

Szafka przeznaczona na piekarnik musi mieć wymiary podane na rysunku 13. W górnym i dolnym odcinku tylnej części szafki przeznaczonej na piekarnik należy pozostawić wskazany na rysunku odstęp o wymiarach podanych na rysunku, zapewniający potrzebny poziom wentylacji.

Wymagania dotyczące montażu

Wymiary produktu podano na rysunku 12.

Wykorzystywane powierzchnie meblowe przeznaczone do montażu i materiały montażowe muszą cechować się odpornością na temperaturę co najmniej 100 °C.

Szafka montażowa musi być zabezpieczona, a jej dno musi być równe, aby produkt się nie obracał.

Dno szafki musi cechować się nośnością, zapewniającą wytrzymałość obciążeń o wartości co najmniej 60 kg.

Umiejscawianie i zabezpieczanie piekarnika

Umieścić piekarnik w szafce za pomocą co najmniej dwóch osób.

Upewnić się, że rama piekarnika i przednia krawędź mebli są do siebie równomiernie dopasowane.

Przewód zasilający nie może znajdować się pod piekarnikiem, nie może być ściśnięty między piekarnikiem a meblami ani nie może być zagięty.

Przymocować piekarnik do mebli za pomocą śrub dostarczonych wraz z produktem. Śruby należy przymocować tak jak przedstawiono to na rysunku 14, przez przeciąganie ich przez plastikowe elementy dołączone do ramy produktu. Nie należy nadmiernie dokręcać śrub. Może to spowodować zużycie gniazd śrub.

Po zakończeniu montażu należy sprawdzić, czy piekarnik się nie rusza. W razie zamontowania piekarnika w sposób niezgodny z instrukcją istnieje ryzyko obrócenia się piekarnika w trakcie działania.

Połączenia elektryczne

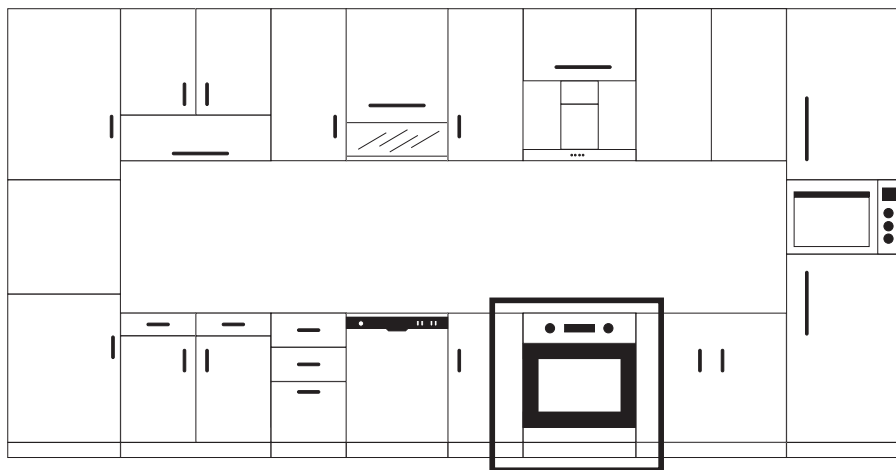
Miejsce montażu produktu musi zapewniać odpowiedni dostęp do instalacji elektrycznej.

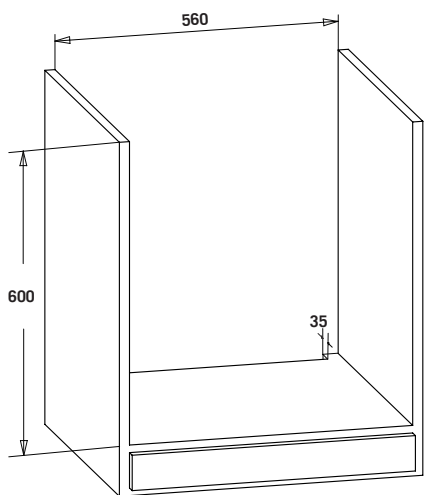
Napięcie sieciowe musi odpowiadać wartościom podanych na tabliczce znamionowej produktu.

Połączenie produktu z siecią elektryczną należy nawiązać w sposób zgodny z lokalnymi i krajowymi wymogami elektrycznymi.

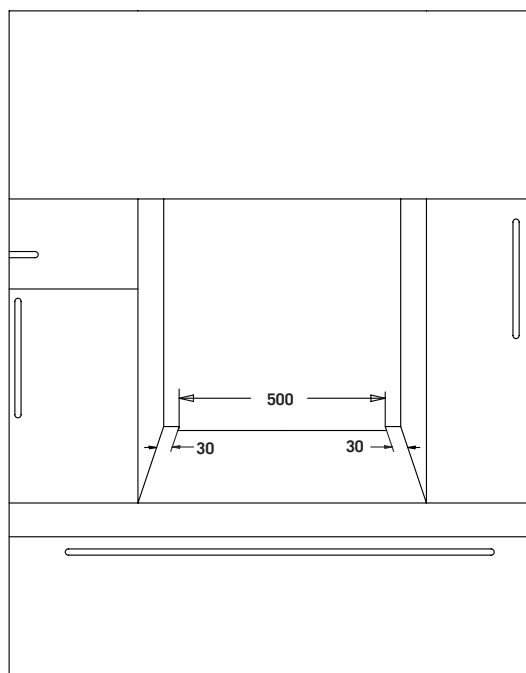
Przed rozpoczęciem procedury montażu należy odłączyć zasilanie sieciowe. Nie podłączać produktu do sieci elektrycznej, zanim montaż nie zostanie ukończony.

Montaż

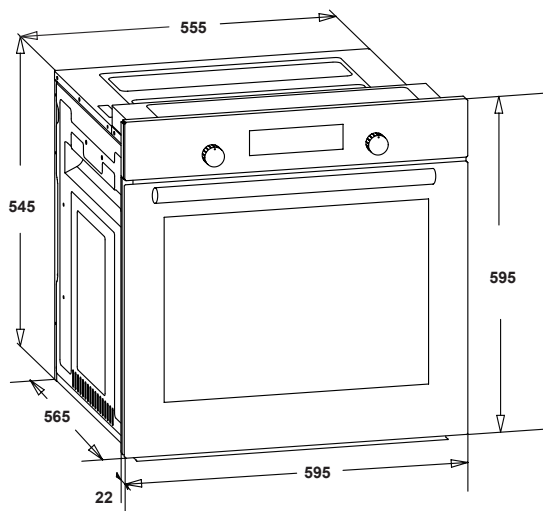


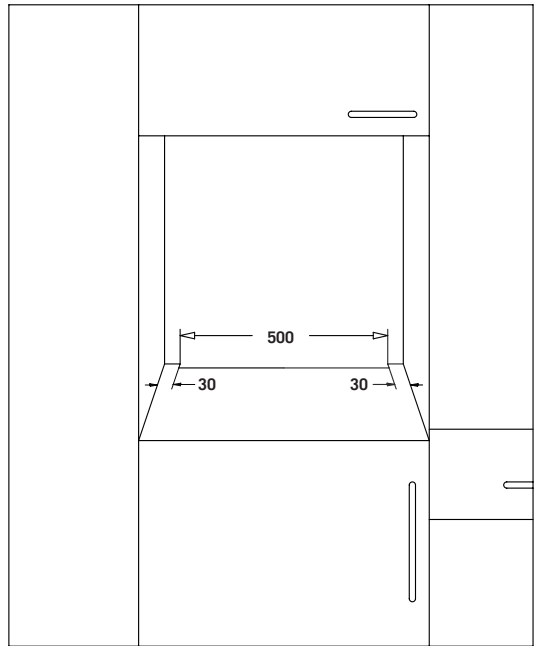
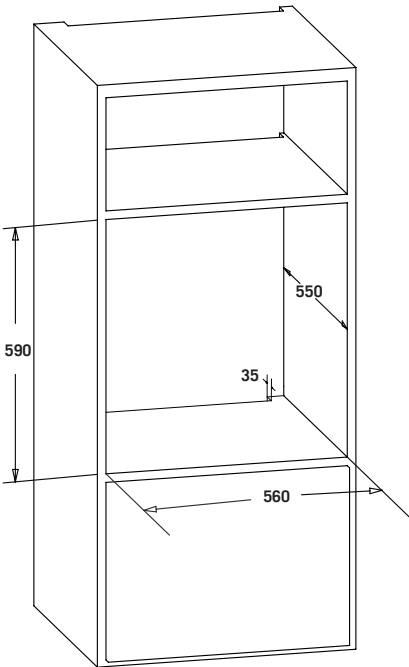
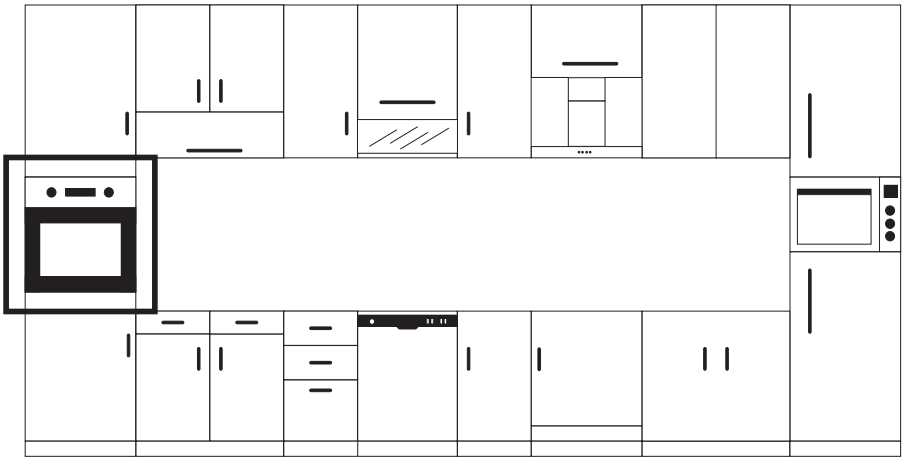


Rys. 11

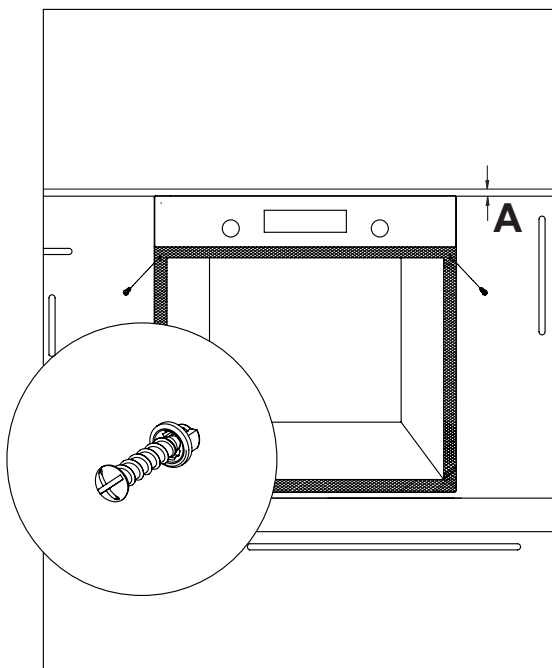


Rys. 12





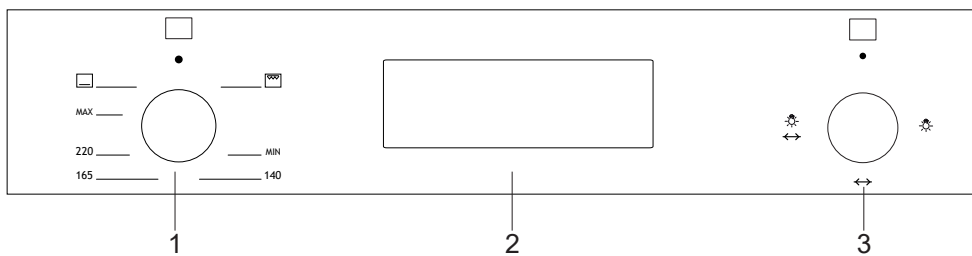
Rys. 13



Rys. 14

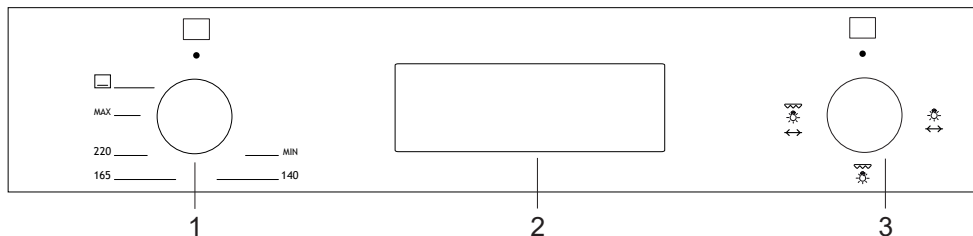
PANEL STEROWANIA

Panel Sterowania Gazowego Piekarnika Do Zabudowy



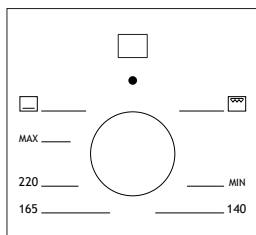
1. Przycisk sterowania piekarnikiem
2. Minutnik mechaniczny lub cyfrowy
3. Przyciski funkcyjne

Panel Sterowania Gazowego Piekarnika Do Zabudowy

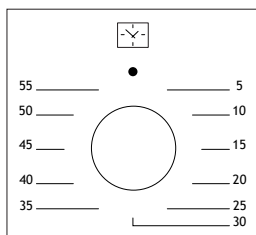


1. Przycisk sterowania piekarnikiem
2. Minutnik mechaniczny lub cyfrowy
3. Przyciski funkcyjne

OSTRZEŻENIE: Powyższy panel sterowania ma jedynie charakter poglądowy. Zwróć uwagę panel sterowania swojego urządzenia.



Przycisk Sterowania Piekarnikiem: Zapewnia kontrolę palników gazowych (w przypadku palnika termostatycznego i palnika górnego). Możesz także użyć zapłonu pod funkcją pokrętła do rozpalenia palników gazowych.



Przycisk Minutnik Mechaniczny *: Służy do określania czasu gotowania w piekarniku. Informacje dotyczące gotowania można znaleźć w tabelach gotowania.

OBSŁUGA PIEKARNIKA

Pierwsze użycie piekarnika

Oto lista czynności, jakie należy wykonać przy pierwszym użyciu piekarnika po nawiązaniu wymaganych połączeń według instrukcji:

1. Usunąć etykiety lub akcesoria znajdujące się wewnątrz piekarnika. Zdjąć folię ochronną z przedniej części urządzenia (jeśli jest obecna).

2. Usunąć pozostałości pyłu i opakowania, wycierając wewnętrzne powierzchnie piekarnika wilgotną szmatką. Wnętrze piekarnika musi być puste. Podłączyć przewód urządzenia do gniazdka elektrycznego.

3. Ustawić przycisk termostatu na najwyższą temperaturę (240 maks. °C) i uruchomić piekarnik na 30 minut przy zamkniętych drzwiczkach. W tym czasie może pojawić się delikatny dym i nieprzyjemny zapach jest to normalne zjawisko.

4. Po ostygnięciu wytrzeć wnętrze piekarnika lekko ciepłą wodą z dodatkiem detergentu, a następnie osuszyć czystą szmatką. Wówczas można piekarnik jest gotowy do użytku.

Normalna obsługa piekarnika

1. Z górnego (grilla) i dolnego palnika tego piekarnika gazowego można korzystać tylko pojedynczo. Jeśli chcesz użyć wybranego palnika, najpierw naciśnij pokrętko i odczekaj 5 sekund, aby usunąć powietrze z palników. Następnie możesz zapalić palnik za pomocą automatycznego układu zapłonowego (opcjonalnie).

2. Po zapaleniu palnika należy nadal przytrzymać pokrętko przez 10-15 sekund, aby zadziałał system kontroli płomienia.

3. Gdy palnik jest zapalony i całkowicie ustawiony po minucie lub dwóch, możesz zamknąć drzwi piekarnika.

4. W przypadku modeli z minutnikiem mechanicznym dowolny czas pieczenia można ustawić za pomocą przycisku. Po zakończeniu ustawionego czasu minutnik spowoduje zatrzymanie dopływu zasilania i rozlegnie się ostrzegawczy dźwięk.

5. W modelach z minutnikiem cyfrowym minutnik powoduje wyłączenie nagrzewnic i uruchomienie sygnału dźwiękowego po zakończeniu czasu pieczenia zgodnie z wprowadzonymi informacjami.

6. System chłodzenia urządzenia będzie kontynuować pracę po ukończeniu pieczenia. W czasie tego procesu potrzebnego do ochłodzenia urządzenia nie należy odłączać zasilania. System zostanie wyłączony po ukończeniu procesu chłodzenia.

Korzystanie Z Grilla

1. Po umieszczeniu grilla na górnym ruszcie, jedzenie z grilla nie może dotykać grzałki.

2. Można rozgrzewać przez 5 minut podczas grillowania. W razie potrzeby możesz odwrócić jedzenie górną stroną w dół.

3. Żywność powinna znajdować się w środku grilla, aby zapewnić maksymalny przepływ powietrza w piekarniku.

Aby włączyć grill:

1. Naciśnij przycisk funkcyjny nad symbolem grilla.
2. Następnie ustaw go na żądaną temperaturę grilla.

Aby wyłączyć grill:

Ustaw przycisk funkcyjny w pozycji OFF.

OSTRZEŻENIE: Trzymaj drzwiczki piekarnika zamknięte podczas grillowania. (grill elektryczny)

OSTRZEŻENIE: Trzymaj drzwiczki piekarnika otwarte podczas grillowania. (grill gazowy)

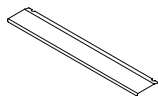
Korzystanie Z Blachy Deflektora Grilla

1. Umieść osłonę termiczną pod panelem sterowania, otwierając przednie drzwiczki piekarnika. (rysunku 16)

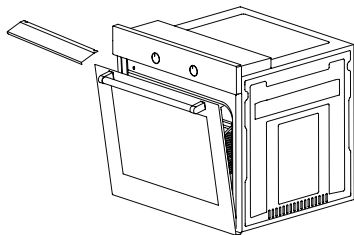
2. Umieść dwie wypustki mocujące na osłonie termicznej w dwóch gniazdach pod panelem sterowania, a następnie zabezpiecz je między piekarnikiem a drzwiczkami wewnętrznymi, delikatnie zamykając drzwiczki. (rysunku 17)

3. Podczas grillowania ważne jest, aby drzwi były otwarte na określoną odległość.

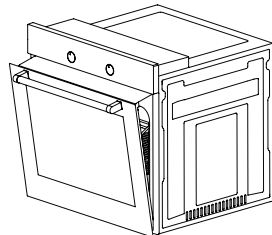
4. Osłona termiczna zapewni idealną wydajność gotowania, jednocześnie chroniąc panel sterowania i pokręta.



Rys. 15



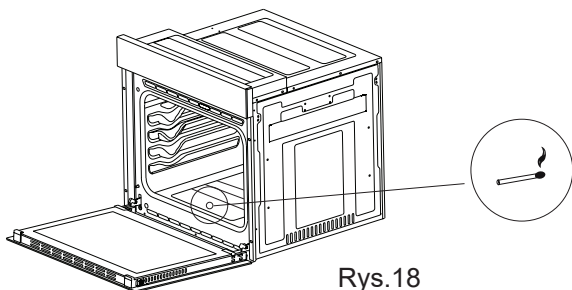
Rys. 16



Rys. 17

Ręczne Zapalenie Piekarnika

W przypadku awarii zasilania palnik piekarnika można zapalić ręcznie:



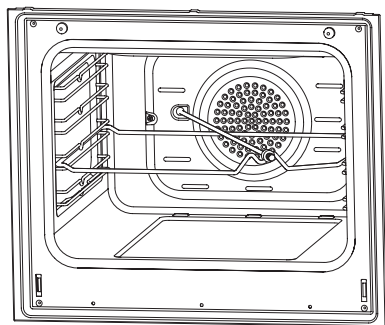
Rys.18

1. Otwórz piekarnik.
2. Przytrzymaj zapalną lub zapalniczkę w pobliżu otworu palnika, jak pokazano na rysunku.
3. Po zapaleniu palnika zamknij drzwi piekarnika.

UWAGA: Jeśli palnik piekarnika zostanie przypadkowo zgaszony, obróć pokrętkę piekarnika do pozycji wyłączonej, otwórz drzwi piekarnika, przewietrz kuchnię i poczekaj przynajmniej minutę, zanim spróbujesz ponownie zapalić palnik.

UWAGA: Automatyczny przełącznik jest dostępny w piekarniku. Użyj tej funkcji, gdy nastąpi awaria zasilania.

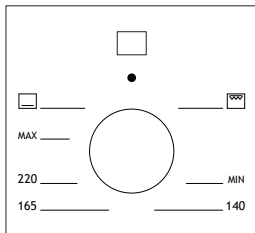
Pieczenie Kurczaka *



Rys.19

Umieść rożen na ramie. Wsuń ramę rożna do piekarnika na żądanym poziomie. Umieść pojemnik na dnie w celu zbierania kapiącego tłuszczu. Dodaj trochę wody do tacy ociekowej, aby ułatwić czyszczenie. Nie zapomnij o usunięciu plastikowej części z rożna. Po grillowaniu przykręć plastikową rączkę do rożna i wyjmij jedzenie z piekarnika.

TYPY PROGRAMÓW



Przycisk programów: Pomaga w ustawieniu nagrzewnic używanych do pieczenia potraw umieszczonych w piekarniku. Poniżej podano rodzaje programów nagrzewnic dla tego przycisku oraz ich funkcje. Nie każdy model musi być wyposażony we wszystkie rodzaje nagrzewnic, a także rodzaje programów nagrzewnic.

Poniżej podano rodzaje programów nagrzewnic urządzenia oraz istotne informacje na ich temat, aby umożliwić pieczenie różnych rodzajów żywności, odpowiadających państwa podniebieniu.

	Palnik dolny piekarnika		Grill palnik
	Rożen do opiekania kurczaka		Lampa
	Minutnik		Turbo wentylator *

Palnik dolny piekarnika: Można podgrzewać lub przyrumieniać posiłki za pomocą ogrzewania dolnego.

Grill palnik: Ta funkcja służy do przyrumieniania potraw.

ZALECENIA DOTYCZĄCE PIECZENIA

W poniższej tabeli można znaleźć informacje dotyczące rodzajów przetestowanych przez nas potraw oraz odpowiadające im wartości pieczenia uzyskane w naszych laboratoriach. Czas pieczenia może być różny w zależności od napięcia sieciowego, jakości pieczonego materiału oraz ilości i temperatury. Dania pieczone z wykorzystaniem tych wartości mogą nie odpowiadać Państwa smakowi. W celu uzyskania różnych rodzajów smaku i wyników odpowiadających Państwa podniebieniu można ustawiać różne wartości metodą prób i błędów.

OSTRZEŻENIE: Przed umieszczeniem potrawy piekarnik musi być rozgrzewany przez 7-10 minut.

Tabela Pieczenia

Potrawa	Pieczenie funkcja	Temperatura (°C)	Kratka do pieczenia	Pieczenie czas (min.)
Ciasto	Palnik dolny	170-180	2-3	35-45
Małe ciasta	Palnik dolny	170-180	2	25-30
Placek	Palnik dolny	180-200	2	35-45
Wyroby cukiernicze	Palnik dolny	180-190	2	20-25
Ciastka	Palnik dolny	170-180	2	20-25
Szarlotka	Palnik dolny	180-190	1	50-70
Ciasto biszkoptowe	Palnik dolny	200/150 *	2	20-25
Pizza	Palnik dolny	180-200	3	20-30
Lazania	Palnik dolny	180-200	2-3	25-40
Beza	Palnik dolny	100	2	50
Kurczak grillowany **	Grill	200-220	3	25-35
Ryba grillowana **	Grill	200-220	3	25-35
Stek cielęcy **	Grill	Max	4	15-20
Klops grillowany **	Grill	Max	4	20-25

* Bez rozgrzewania. Zaleca się ustawienie temperatury 200 °C w ciągu pierwszych trzydziestu minut pieczenia i 150 °C w ciągu kolejnych trzydziestu minut.

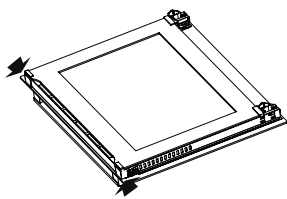
** Potrawę należy obrócić po upływie trzydziestu minut pieczenia.

KONSERWACJA I CZYSZCZENIE

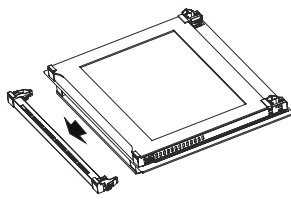
1. Wyjąć wtyczkę zasilającą z gniazdka elektrycznego.
2. Części wewnętrznych, panelu, tac oraz innych części produktu nie należy czyścić ostrymi narzędziami, takimi jak szczotka druciana, myjka druczana czy nóż. Nie należy stosować środków ściernych, rysujących powierzchnię ani detergentów.
3. Po wyczyszczeniu części wewnętrznych produktu wypłukać je za pomocą ściereczki nasączonej środkiem do mycia, a następnie dokładnie osuszyć miękką ściereczką.
4. Szklane powierzchnie należy czyścić specjalnym materiałem przeznaczonym do pielęgnacji szkła.
5. Nie czyść produktu myjkami parowymi.
6. Do czyszczenia produktu nigdy nie należy używać łatwopalnych środków, takich jak kwas, rozpuszczalnik czy benzyna.
7. Żadnych części produktu nie należy myć w zmywarce.
8. Do czyszczenia zabrudzeń i plam można użyć stearynianu potasu (łagodne mydło).

Czyszczenie Szklanych Powierzchni Piekarnika

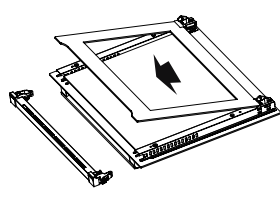
Unieś szklaną powierzchnię, naciskając plastikowe zatrzaski po lewej i prawej stronie, tak jak przedstawiono to na rysunku 20, i pociągając profil do siebie, tak jak pokazano to na rysunku 21. Szklana powierzchnia zostanie zwolniona po wyjęciu profilu tak jak przedstawiono to na rysunku 22. Wyjąć zwolnioną szklaną powierzchnię, przyciągając ją ostrożnie do siebie. Zewnętrzną powierzchnię szklaną mocuje się do profilu drzwiczek piekarnika. Po zwolnieniu powierzchni szklanych można przeprowadzić czyszczenie szkła. Po ukończeniu czyszczenia i konserwacji powierzchni szklane można zamontować z powrotem, wykonując te same czynności w odwrotnej kolejności. Należy upewnić się, że profil jest prawidłowo zamocowany na miejscu.



Rys. 20

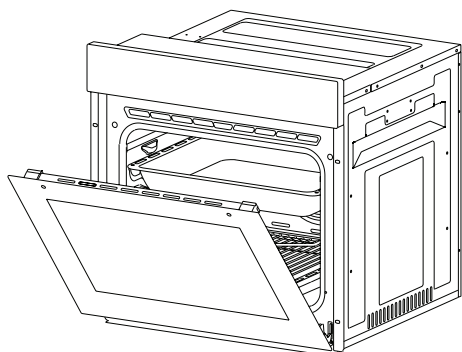


Rys. 21

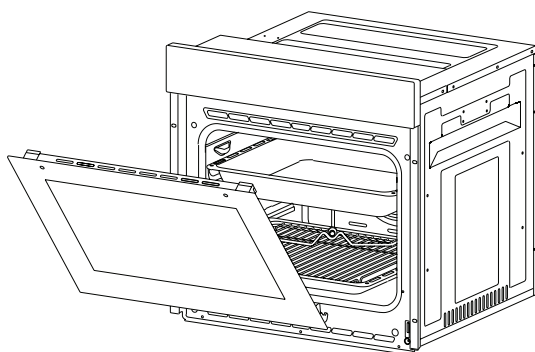


Rys. 22

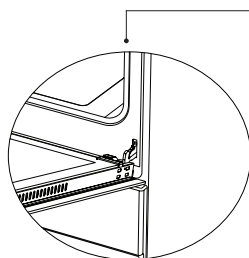
Czyszczenie i Montaż Drzwiczek Piekarnika



Rys. 23

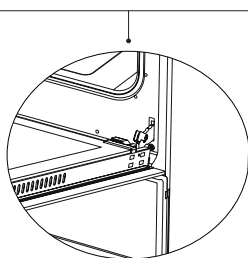


Rys. 24



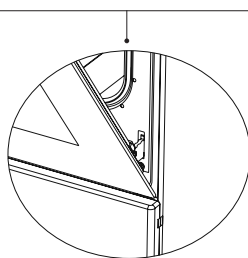
Rysunek 23.1

Otworzyć drzwiczki całkowicie, pociągając je do siebie. Następnie odblokować drzwiczki, pociągając za zamek w zawiasie w górę za pomocą śrubokręta, tak jak pokazano to na **rysunku 23.1**.



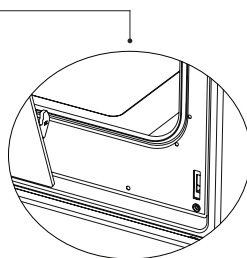
Rysunek 23.2

Ustawić zamek w zawiasie pod najszerszym kątem zgodnie z **rysunkiem 23.2**. Ustawić oba zawiasy mocujące drzwiczki do piekarnika w tej samej pozycji.



Rysunek 24.1

Następnie zamknąć otwarte drzwiczki piekarnika w taki sposób, aby znajdowały się one w pozycji, w której stykają się z zamkiem w zawiasie tak jak przedstawiono to na **rysunku 24.1**.



Rysunek 24.2

Dla ułatwienia wyjęcia drzwiczek piekarnika, kiedy drzwiczki zbliżają się do pozycji zamkniętej, przytrzymać pokrywą oburącz, tak jak przedstawiono to na **rysunku 24.2** i pociągnąć w górę.

Wykonać wcześniejsze czynności w odwrotnej kolejności, otwierając jednocześnie drzwiczki w celu ponownego zamontowania drzwiczek piekarnika.

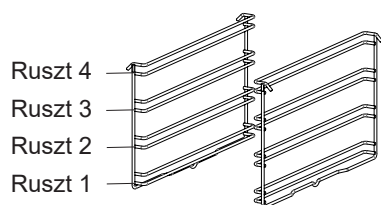
Panele Katalityczne *

Panele katalityczne znajdują się po lewej i prawej stronie wnętrza pod prowadnicami. Panele katalityczne eliminują nieprzyjemny zapach i umożliwiają uzyskanie najlepszej wydajności kuchenki. Panele katalityczne pochłaniają również resztki oleju i czyszczą piekarnik podczas pracy.

Wymywanie paneli katalitycznych

Aby wyjąć panele katalityczne, trzeba wyciągnąć prowadnice. Po wyciągnięciu prowadnic panele katalityczne zostaną automatycznie zwolnione. Panele katalityczne należy wymienić po 2-3 latach.

Pozycje Rusztu



Ważne jest, aby prawidłowo umieścić grill druciany w piekarniku. Nie pozwól, aby półka drucziana dotykała tylnej ściany piekarnika. Pozycje rusztu są pokazane na następnym rysunku. Możesz umieścić głęboką tacę lub standardową tacę na dolnym i górnym ruszcie.

Wkładanie i usuwanie druczianych rusztów

Aby wyjąć drucziane ruszty, naciśnij klipsy pokazane strzałkami na rysunku, najpierw usuń dolną, a następnie górną stronę z miejsca zamontowania. Aby zamontować drucziane ruszty powtórz procedurę w odwrotnej kolejności.

Wymiana Żarówki Piekarnika

OSTRZEŻENIE: Aby uniknąć możliwości porażenia prądem, przed wymianą żarówki sprawdź, czy obwód urządzenia został otwarty. (otwarty obwód oznacza, że zasilanie jest wyłączone)

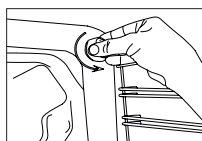
Najpierw należy odłączyć zasilanie urządzenia i upewnić się, że urządzenie jest chłodne.

Następnie należy zdjąć osłonę żarówki, obracając ją tak, jak to pokazano na ilustracji, po lewej stronie. W razie trudności do obracania można użyć rękawic z tworzywa sztucznego.

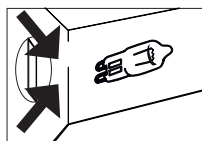
Następnie należy wyjąć żarówkę, obracając ją, a następnie włożyć nową żarówkę o takich samych parametrach.

Ponownie zamontować osłonę żarówki, podłączyć przewód urządzenia do gniazdka elektrycznego i zakończyć procedurę wymiany. Wówczas piekarnik jest gotowy do użytku.

Rodzaj G9 Żarówki



220-240 V, AC
15-25 W



Rys. 25

Rodzaj E14 Żarówki



220-240 V, AC
15 W



Rys. 26

OSTRZEŻENIE: Ten produkt zawiera źródło światła o klasie efektywności energetycznej G.

ROZWIĄZYWANIE PROBLEMÓW

Przed skontaktowaniem się z serwisem technicznym możesz rozwiązać problemy, na które możesz się natknąć, sprawdzając poniższe punkty.

Punkty do sprawdzenia

W przypadku wystąpienia problemu z piekarnikiem, najpierw sprawdź tabelę poniżej i wypróbuj przedstawione sugestie.

Problem	Możliwa przyczyna	Co robić
Piekarnik nie działa	Brak zasilania.	Sprawdź zasilanie.
	Brak gazu.	Sprawdź, czy główny zawór gazu jest otwarty.
		Sprawdź, czy rura gazu jest zgięta lub zagięta.
		Upewnij się, że wąż gazowy jest podłączony do piekarnika.
	Sprawdź, czy używany jest odpowiedni zawór gazowy.	
Podczas gotowania piekarnik przestaje pracować.	Wtyczka wypada z gniazdka.	Włóż wtyczkę do gniazdka elektrycznego.
Wyłącza się podczas gotowania.	Zbyt długa ciągła praca.	Po długim cyklu gotowania piekarnik powinien się schłodzić.
	Więcej niż jedna wtyczka w gniazdku.	Używaj tylko jednej wtyczki w każdym gniazdku.
Drzwiczki piekarnika nie otwierają się prawidłowo.	Pozostałości jedzenia utknęły między drzwiczkami a wnętrzem piekarnika.	Wyczyść dobrze piekarnik i spróbuj ponownie otworzyć drzwiczki.
Porażenie prądem przy dotykaniu piekarnika.	Brak odpowiedniego uziemienia.	Upewnij się, że zasilanie jest właściwie uziemione.
	Używa się nieuziemionego gniazdka.	

Problem	Możliwa przyczyna	Co robić
Kapanie wody.	Woda lub para mogą wytwarzać się w pewnych warunkach w zależności od gotowanej żywności. Nie jest to jednak oznaką uszkodzenia urządzenia.	Pozostaw piekarnik do ostygnięcia, a następnie wytrzyj do sucha ściereczką.
Para wydostaje ze szczeliny drzwiczek piekarnika.		
Woda pozostaje w piekarniku.		
Kuchenka nie podgrzewa	Otwarte drzwiczki piekarnika	Zamknij drzwiczki i uruchom ponownie.
	Nieprawidłowo ustawione kontrolki piekarnika.	Przeczytaj rozdział dotyczący działania piekarnika i zresetuj piekarnik.
	Zadziałał bezpiecznik lub wyłącznik automatyczny wyłączony.	Wymień bezpiecznik lub włącz automatyczny wyłącznik. Jeśli to się często powtarza, skontaktuj się z elektrykiem.
Podczas pracy wydostaje się dym.	Podczas obsługiwanego piekarnika po raz pierwszy.	Z grzejników wydobywa się dym. Nie jest to oznaką niesprawności urządzenia. Po 2-3 cyklach nie będzie już dymu.
	Jedzenie na grzejniku.	Pozostaw piekarnik do ostygnięcia i wyczyść resztki jedzenia z grzejnika.
Podczas obsługiwanego piekarnika wydostaje się zapach palonego plastiku.	Plastikowe lub inne nieodporne na ciepło akcesoria są używane wewnątrz piekarnika.	W wysokich temperaturach, stosuj odpowiednie akcesoria.
Piekarnik nie gotuje dobrze.	Drzwiczki piekarnika otwierane często podczas gotowania.	Nie otwieraj często drzwi piekarnika, jeśli żywność, którą gotujesz, nie wymaga obracania. W przypadku częstego otwierania drzwi temperatura wewnętrzna spada, w związku z czym wpłynie to na wynik gotowania.
Światło wewnętrzne jest słabe lub nie działa.	Ciało obce zakrywa lampę podczas gotowania.	Oczyść wewnętrzną powierzchnię piekarnika i sprawdź ponownie.
	Żarówka może być uszkodzona.	Wymień na żarówkę o tych samych parametrach.

ZASADY PRZENOSZENIA

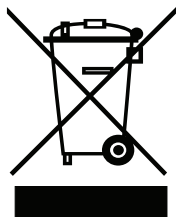
1. Nie używaj drzwiczek i/lub uchwytu do przenoszenia lub przesuwania urządzenia.
2. Przeńś i transportuj w oryginalnym opakowaniu.
3. Zwróć maksymalną uwagę na urządzenie podczas ładowania/rozładowywania i przenoszenia.
4. Upewnij się, że opakowanie jest bezpiecznie zamknięte podczas przenoszenia i transportu.
5. Chronń urządzenie przed czynnikami zewnętrznymi (takimi jak wilgoć, woda, itp.), które mogą uszkodzić opakowanie.
6. Należy zachować ostrożność, aby nie uszkodzić lub nie zdeformować urządzenia poprzez jego uderzenie, upuszczenie, itp. podczas przenoszenia i transportu.

ZALECENIA DOTYCZĄCE OSZCZĘDZANIA ENERGII

Poniższe informacje pomogą w ekologicznym i ekonomicznym wykorzystaniu produktu.

1. Użyj pojemników emaliowanych i ciemnych, które lepiej przewodzą ciepło w piekarniku.
2. Podczas gotowania potrawy, jeśli przepis lub instrukcja obsługi wskazują, że wymagane jest wstępne podgrzewanie, wstępnie rozgrzej piekarnik.
3. Nie otwieraj często drzwiczek piekarnika podczas gotowania.
4. Staraj się nie gotować wielu dań jednocześnie w piekarniku. Możesz gotować w tym samym czasie, umieszczając dwa garnki na drucianym ruszcie.
5. Gotuj potrawy kolejno. Piekarnik nie traci ciepła.
6. Wyłącz piekarnik na kilka minut przed upływem czasu gotowania. W takim przypadku nie otwieraj drzwiczek piekarnika.
7. Rozmrażaj zamrożoną żywność przed gotowaniem.

PRZYJAZNA ŚRODOWISKU UTYLIZACJA



Pozbądź się opakowania w sposób przyjazny dla środowiska. Urządzenie to jest oznaczone zgodnie z Dyrektywą Europejską 2012/19/UE dotycząca zużytych urządzeń elektrycznych i elektronicznych (odpady sprzętu elektrycznego i elektronicznego - WEEE). Wytyczna ta określa ogólne zasady zwrotu i recyklingu zużytych urządzeń w całej do UE.

INFORMACJE OPAKOWANIU

Materiały opakowania tej chłodziarki są wykonane z surowców wtórnych, zgodnie z naszymi krajowymi przepisami dotyczącymi ochrony środowiska. Nie wyrzucaj materiałów opakowaniowych razem z odpadkami domowymi lub innymi. Dostarcz je do punktów zbiórki materiałów opakowaniowych wyznaczonych przez władze lokalne.

Vážení zákazníci,

Děkujeme, že se spoléháte na tento produkt. Naším cílem je umožnit vám optimálně a efektivně používat tento produkt šetrný k životnímu prostředí vyrobený v našich moderních zařízeních za přesných podmínek s ohledem na celkový pocit kvality.

Doporučujeme vám, abyste si před použitím trouby pečlivě přečetli tento návod k použití a abyste si ji trvale uchovali, aby vlastnosti zakoupené vestavné trouby zůstaly po dlouhou dobu stejné jako první den a sloužily optimálním a efektivním způsobem.

Poznámka: Tento Návod k obsluze byl připraven pro několik různých modelů. Váš přístroj nemusí obsahovat některé funkce specifikované v příručce.

Obrázky spotřebiče jsou schematické.

Tento produkt byl vyroben v moderních ekologických zařízeních bez nepříznivého vlivu na přírodu.

Produkty označené (*) jsou volitelné.

„V souladu s nařízením WEEE“

Obsah

Důležitá upozornění	210
Elektrické připojení	220
Plynové připojení	221
Představení spotřebiče	225
Příslušenství	226
Technické specifikace	227
Instalace spotřebiče	227
Ovládací panel	233
Používání trouby	235
Používání grilu	236
Používání listu deflektoru pro grilování	236
Návod pro osvětlení trouby	237
Pečení kuřete	237
Typy programů	238
Doporučení pro vaření	238
Varná deska	239
Údržba a čištění	240
Čištění skla trouby	240
Čištění a montáž dvířek trouby	241
Katalytický panel	242
Pozice ve stojanu	242
Výměna lampy trouby	243
Řešení problémů	244
Pravidla při manipulaci	246
Doporučení pro úsporu energie	246
Ekologická likvidace	247
Informace o balení	247

DŮLEŽITÉ UPOZORNĚNÍ

1. Instalace a oprava vždy musí být provedena „**AUTORIZOVANÝM SERVISEM**“ Výrobce nenese odpovědnost za zásahy prováděné neoprávněnými osobami.

2. Přečtěte si pozorně tento návod k obsluze. Pouze tímto způsobem můžete spotřebič bezpečně a správně používat.

3. Troubu používejte podle návodu k obsluze.

4. Pokud je trouba v provozu, nepouštějte děti mladší 8 let a domácí zvířata do blízkosti trouby.

5. **Přístupné části se při používání mohou zahřívat. Malé děti by se proto neměly zdržovat v blízkosti.**

6. **VÝSTRAHA: Nebezpečí požáru: nepokládejte na varnou desku žádné předměty.**

7. **VÝSTRAHA: Přístroj se během používání zahřívá. Dávejte si pozor, abyste se nedotkli topných těles uvnitř trouby.**

8. Podmínky nastavení tohoto zařízení jsou uvedeny na štítku. (nebo na typovém štítku)

9. Když se používá gril, dostupné části mohou být horké. Z toho důvodu se v jeho blízkosti nesmí zdržovat malé děti.

10. **VÝSTRAHA: Tento spotřebič je určen k vaření. Nesmí se používat k jiným účelům, jako je například vytápění místnosti.**

11. K čištění spotřebiče nepoužívejte parní čisticí prostředky.

12. Dbejte na to, aby po vložení potravin do trouby byla dvířka trouby zcela zavřená.

13. NIKDY se nepokoušejte uhasit požár vodou. Přerušete obvod přístroje a poté jej pokryjte krytem nebo protipožární přikrývkou.

14. **VÝSTRAHA: Děti mladší 8 let se nesmí k přístroji přibližovat nebo musí být pod neustálým dohledem.**

15. Nedotýkejte se topných částí.

16. **UPOZORNĚNÍ: Vaření musí být prováděno pod dohledem. Vaření musí být vždy prováděno pod dohledem.**

17. Spotřebič mohou používat děti od 8 let a osoby se sníženými fyzickými, smyslovými nebo mentálními schopnostmi, nebo osoby s nedostatečnými zkušenostmi a znalostmi, pokud mají nad sebou dohled nebo pokud byly vyškoleny ohledně bezpečného používání spotřebiče a pokud chápou možná rizika. S přístrojem si nesmí hrát děti. Čištění a užitelskou údržbu nesmí provádět děti bez dozoru.

18. Toto zařízení je určeno pouze pro použití v domácnosti.

19. Děti si se spotřebičem nesmějí hrát. Čištění nebo údržbu spotřebiče nesmějí provádět děti, pokud nejsou starší 8 let a nejsou pod dohledem dospělých.

20. Udržujte přístroj a jeho napájecí kabel mimo dosah dětí mladších 8 let.

21. Před uvedením spotřebiče do provozu odstraňte z blízkosti spotřebiče závěsy, tyly, papír nebo jakýkoli hořlavý (zápalný) materiál. Nevkládejte na spotřebič nebo do spotřebiče zápalné nebo hořlavé materiály.

22. Udržujte ventilační kanály otevřené.

23. Zařízení není vhodné pro použití s externím časovačem nebo samostatným dálkovým ovládním.

24. Neohřívejte uzavřené plechovky a skleněné sklenice. Tlak může způsobit výbuchu sklenic.

25. Rukojeť pečící trouby není osušovač na ručníky. Na držadlo trouby nevěšete ručníky atp.

26. Neumísťujte pečící podnosy, talíře ani hliníkové fólie přímo na základnu trouby. Akumulované teplo může poškodit základnu trouby.

27. Při umístování potravin do trouby nebo při odstraňování potravin z trouby atp. vždy používejte chňapky k uchycení.

28. Nepoužívejte výrobek ve stavech pod vlivem léků a/nebo pod vlivem alkoholu, které mohou ovlivnit vaši posuzovací schopnost.

29. Buďte opatrní při používání alkoholu v potravinách. Alkohol se při vysokých teplotách vypaří a přijde-li do styku s horkými povrchy, může se vznítit a způsobit požár.

30. Po každém použití zkontrolujte, zda je zařízení vypnuto.

31. Pokud je spotřebič vadný nebo má viditelné poškození, nepoužívejte spotřebič.

32. Nedotýkejte se zástrčky mokřýma rukama! Při odpojování netahejte za kabel, vždy uchopte zástrčku.

33. Nepoužívejte spotřebič s odstraněnými nebo poškozenými skleněnými předními dvířky.

34. Papír na pečení umístěte spolu s jídlem do přehřáté trouby vložením do sporáku nebo do příslušenství na troubu. (podnos, drátěný gril atd.)

35. Neumísťujte na zařízení žádné předměty, na které by mohly děti dosáhnout.

36. Je důležité, abyste drátěný gril a zásobník vložili správně na drátěné stojany a/nebo správně umístěte pečicí plech na stojan. Umístěte gril nebo plech mezi dvě kolejničky a , před tím, než se na něm umístí jídlo se ujistěte, zda jsou vyvážené.

37. Pro zabránění dotyku prvků ohřivačů trouby odstraňte nadbytečné části pečicího papíru, které visí z příslušenství nebo z plechu.

38. Nikdy jej nepoužívejte při vyšších teplotách pečení než je maximální teplota použití uvedená na pečicím papíře. Papír na pečení nepokládejte na základnu trouby. Pro zabránění dotyku prvků ohřivačů trouby odstraňte nadbytečné části pečicího papíru, které visí z příslušenství nebo z plechu.

39. Když jsou dveře otevřené, na dveře neumistujte žádné těžké předměty ani nechte děti na nich sedět. Můžete to mít za následek převrácení trouby nebo poškození závěsů dveří.

40. Obalové materiály jsou nebezpečné pro děti. Uchovávejte obalové materiály mimo dosah dětí.

41. Nepoužívejte abrazivní čisticí prostředky ani ostré kovové škrabky na čištění skla, protože škrábance, které se mohou vyskytnout na povrchu skla dveří, mohou způsobit rozbití skla.

42. Uživatel by neměl s troubou manipulovat sám.

43. Během používání se vnitřní a vnější povrchy trouby zahřejí. Při otevírání dveří trouby ustupte zpět, abyste se vyhnuli horkým výparům vycházejícím zevnitř. Hrozí nebezpečí popálení.

44. Na otevřená dvířka trouby neumistujte těžké předměty, z důvodu rizika převrnutí.

45. Během jakýchkoli stavebních prací v domácnosti odejte napájení trouby. Po dokončení prací nechte troubu znovu zapojit autorizovaným servisem.

46. Uživatel během čištění nesmí vytáhnout odpor. Může to způsobit zásah elektrickým proudem.

47. Pro zabránění přehřátí, zařízení nesmí být instalováno za ozdobným krytem.

48. Před odstraněním bezpečnostních prvků vypněte spotřebič. Po vyčištění namontujte ochranné kryty podle pokynů.

49. Upevňovací bod kabelu musí být chráněn.

Elektrická bezpečnost

1. Zapojte spotřebič do uzemněné zásuvky chráněné pojistkou odpovídající hodnotám uvedeným v tabulce technických specifikací.

2. Uzemňovací zařízení musí nastavit autorizovaný elektrikář. Naše společnost neodpovídá za škody, které vzniknou v důsledku používání výrobku bez uzemnění podle místních předpisů.

3. Spínače jističe trouby musí být umístěny tak, aby je koncový uživatel mohl po nainstalování trouby dosáhnout.

4. Napájecí kabel (kabel se zástrčkou) se nesmí dotýkat horkých částí spotřebiče.

5. Pokud je poškozen napájecí kabel (kabel se zástrčkou), musí tento kabel nahradit výrobce nebo jeho servisní zástupce nebo stejně kvalifikovaný personál, pro zabránění nebezpečné situaci.

6. Nikdy nemyjte výrobek stříkáním nebo poléváním vodou na něj! Riziko zásahu elektrickým proudem

7. **VÝSTRAHA: Aby nedošlo k úrazu elektrickým proudem, zajistěte, aby před výměnou lampy zařízení byl elektrický obvod přerušen.**

8. VÝSTRAHA: Před přístupem ke konektorům odpojte všechny napájecí obvody.

9. Nepoužívejte nařezané nebo poškozené kabely nebo prodlužovací kabely kromě původního kabelu.

10. Přesvědčte se, že v zásuvce, kde je nainstalována zástrčka produktu, není žádná kapalina ani vlhkost.

11. Zadní plocha trouby se při provozu trouby zahřeje. Elektrická připojení se nesmí dotýkat zadního povrchu, jinak by mohlo dojít k poškození přípojek.

12. Nepřipojujte přípojný kabel ke dveřím trouby a netahejte je přes horké povrchy. Pokud kabel roztaje, může dojít ke zkratu a dokonce k požáru.

13. Při instalaci, údržbě, čištění a opravách výrobek odpojte.

14. Pokud je přípojný kabel poškozen, musí být nahrazen výrobcem nebo autorizovanou technickou službou nebo jakýmkoli jiným kvalifikovaným pracovníkům na stejné úrovni tak, aby se zabránilo nebezpečným situacím.

15. Ujistěte se, že zástrčka je pevně zasunuta do zásuvky ve zdi, pro zabránění jejímu jiskření.

16. K čištění spotřebiče nepoužívejte parní čističe, jinak by mohlo dojít k úrazu elektrickým proudem.

17. Pro instalaci je zapotřebí multypolární spínač schopen odpojit napájení. Odpojení od zdroje energie musí být vybaveno spínačem nebo integrovanou pojistkou instalovanou na pevném zdroji napájení podle kódu zapojení.

18. Zařízení je vybaveno kabelem **typu "Y"**.

19. K napájecímu zdroji musí být připojeny pevné přípojky, umožňujícímu multypolární odpojení. Pro přístroje s nadprůměrným napětím nižším než III musí být odpojovací zařízení připojeno k pevnému zdroji napájení podle kódu zapojení.

Plynová bezpečnost

1. Tento spotřebič není připojen k zařízení pro evakuaci hořlavých výrobků. Tento spotřebič musí být připojen a instalován podle platných předpisů pro instalaci. Je třeba zvážit podmínky týkající se větrání.

2. Při používání plynového spotřebiče k vaření se v místnosti vytvářejí vlhkost, teplo a hořící produkty. Při obsluze spotřebiče se nejprve se ujistěte, že kuchyně je dobře větraná a udržuje přirozené větrací otvory nebo instaluje mechanické ventilační zařízení.

3. Po delší době používání spotřebiče může být zapotřebí dodatečné větrání. Například otevřete okno nebo nastavte vyšší rychlost pro mechanické větrání, je-li nějaké přítomno.

4. Tento spotřebič lze používat pouze na dobře větraných místech v souladu s platnými předpisy. Před instalací nebo používáním tohoto produktu si přečtěte návod.

5. Před umístěním zařízení se ujistěte, že podmínky místní sítě (typ plynu a tlak plynu) splňují požadavky spotřebiče.

6. Všechny druhy operací, které se mají provádět při instalaci plynu, musí provádět autorizovaní a kompetentní lidé.

7. Tento spotřebič je nastaven na zemní plyn (NG). Pokud musíte používat výrobek s jiným typem plynu, musíte požádat o povolení pro přebudování.

8. Pro správný provoz je třeba pravidelně vyměňovat digestoř, plynové potrubí a svorku podle doporučení výrobce a podle potřeby.

9. Plyn se v plynových spotřebičích skvěle spaluje. Horký plyn je indikován z modrého plamene a plynulého hoření. Při nedostatečném hoření plynu se může vytvořit oxid uhelnatý (CO). Oxid uhelnatý je bezbarvý, bez zápachu a je velmi jedovatý plyn; dokonce i malá množství mají smrtelný účinek.

10. Zeptejte se místních dodavatelů plynu na telefonní čísla pro mimořádné události související s plynem a na opatření, která mají být přijata pokud je zjištěn zápach plynu.

Co dělat při zjištění zápachu plynu

1. Nepoužívejte otevřený plamen a nekuřte.
2. Nepoužívejte žádné elektrické spínače.
(Například: spínač světel nebo zvonek)
3. Nepoužívejte telefon ani mobilní telefon.
4. Otevřete dveře a okna.
5. Zavřete všechny ventily na spotřebičích, které využívají plyn a plynoměr.
6. Zavolejte hasiče z telefonu mimo váš domov.
7. Zkontrolujte všechny hadice a jejich přípojky proti netěsnostem. Pokud stále cítíte plyn, opusťte dům a varujte své sousedy.
8. Nevstupujte do domu, dokud úřady nerozhodnou, že je bezpečný.

Doporučené použití

1. Tento výrobek byl navržen pro domácí použití. Komerční využití není povoleno.
2. Tento spotřebič se smí používat pouze pro účely vaření. Nesmí se používat k jiným účelům, jako je například vytápění místnosti.
3. Tento spotřebič se nesmí používat k ohřívání desek pod grilem, sušení oblečení nebo ručníků zavěšením na rukojeť nebo pro účely vytápění.
4. Výrobce nenese žádnou zodpovědnost za případné škody způsobené nesprávným použitím nebo nesprávnou manipulací.

5. Trubková část jednotky může být použita k rozmrazování, pečení, smažení a grilování jídla.

6. Provozní životnost zakoupeného produktu je 10 let. Toto je období, během kterého výrobce poskytuje definované náhradní díly potřebné k provozu tohoto výrobku, jako je.

Elektrické připojení

Tato trouba musí být správně nainstalována a připojena na své místo podle pokynů výrobce a autorizovaného servisu.

Spotřebič musí být nainstalován ve skříni s troubou, která zajišťuje vysokou úroveň větrání.

Elektrické připojení spotřebiče se musí uskutečnit pouze přes zásuvky s uzemňovacím systémem, které jsou vybaveny v souladu s předpisy. Pokud v místě, kde bude spotřebič umístěn, není zásuvka vyhovující uzemňovacímu systému, kontaktujte autorizovaného elektrikáře. Výrobní společnost v žádném případě neodpovídá za škody vzniklé v důsledku připojení neuzemněné zásuvky ke spotřebiči.

Zástrčka trouby musí být uzemněna; ujistěte se, že zásuvka pro zástrčku je uzemněna. Zástrčka po instalaci musí být umístěna na přístupném místě.

Vaše trouba byla vyrobena jako vyhovující pro napájení střídavým proudem 220-240 V 50/60 Hz a vyžaduje 16 A pojistku. Pokud se vaše elektrická síť liší od těchto uvedených hodnot, obraťte se na elektrikáře nebo autorizovaný servis.

Pokud potřebujete vyměnit elektrickou pojistku, ujistěte se, že elektrické připojení je provedeno následovně:

- Fáze (na svorku pod napětím) hnědý kabel
- Modrý kabel k neutrální svorce
- Žluto-zelený kabel k uzemňovací svorce

Odpojovací spínače trouby musí být na přístupném místě pro konečného uživatele, dokud je trouba na svém místě.

Napájecí kabel (zástrčka) se nesmí dotýkat horkých částí spotřebiče.

Pokud je síťový kabel (připojený kabel) poškozen, musí jej nahradit dovozce nebo jeho servisní zástupce nebo stejně kompetentní personál, aby se předešlo nebezpečné situaci.

Připojení plynu

VÝSTRAHA: Před zahájením práce související s instalací plynu vypněte přívod plynu. Nebezpečí exploze.

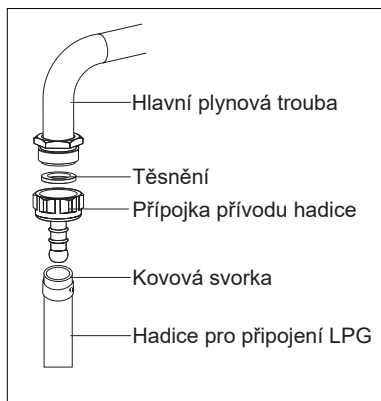
VÝSTRAHA: Plynová hadice a elektrická přípojka spotřebiče nesmí procházet vedle horkých oblastí, jako je zadní část spotřebiče. Plynová hadice musí být připojena širokými úhlovými zatáčkami proti možnosti zlomení. Pohyb spotřebiče, jehož plynová přípojka je vytvořena, může způsobit únik plynu.

VÝSTRAHA: Při kontrole úniku plynu nikdy nepoužívejte zapalovač, zápalky, žhavicí cigaretu nebo podobné hořlavé látky.

Připojte spotřebič k plynové troubě nejkratší cestou a tak, abyste zabránili jakémukoli úniku. Kvůli bezpečnosti musí být použita hadice dlouhá maximálně 125 cm a minimálně 40 cm.

Na místa připojení naneste mýdlové bubliny. Dojde-li k jakémukoli úniku, na namydlené oblasti se objeví pěna.

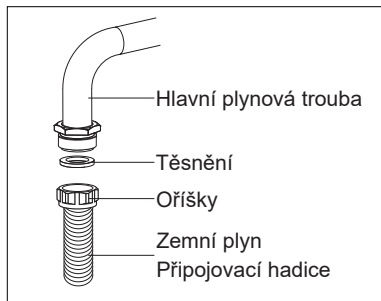
Připojení LPG;



Při připojení na LPG (cylindrický ventil) připevněte kovovou svorku na hadici z ventilu LPG. Připojte okraj hadice na přívodní konektor hadice za spotřebičem stisknutím a ohřevem konce hadice ve vroucí vodě. Potom nasadte svorku směrem ke koncové části hadice a utáhněte ji šroubovákem. Přípojka těsnění a přípojka hadice potřebná k připojení je znázorněna níže.

VÝSTRAHA: Regulátor připevněný na ventil LPG musí disponovat funkcí 300 mmSS.

Pro připojení zemního plynu;



VÝSTRAHA: Připojení na zemní plyn musí provést autorizovaná služba.

Při připojce se zemním plynem umístěte těsnění do matice na okraji hadice pro připojení zemního plynu. Chcete-li instalovat hadici na hlavní plynovou trubku, otočte matici. Dokončete spojení pomocí kontroly úniku plynu.

Větrání místnosti

Vzduch potřebný ke spalování se odebírá z vzduchu v místnosti a emitované plyny vycházejí přímo do místnosti. Pro bezpečný provoz vašeho výrobku je předpokladem dobré větrání místnosti. Pokud pro větrání místnosti není k dispozici žádné okno, je třeba nainstalovat dodatečné větrání. Má-li však místnost otevírání dveří venku, nejsou zapotřebí větrací otvory.

Velikost pokoje	Větrací otvory
Menší než 5 m ³	min. 100 cm ²
Mezi 5 m ³ - 10 m ³	min. 50 cm ²
Větší než 10 m ³	Není třeba
V suterénu nebo ve sklepě	min. 65 cm ²

Snížené nastavení průtoku plynu pro varné desky

1. Zapněte hořák, který chcete nastavit, a otočte knoflík do snížené polohy.

2. Odstraňte knoflík z plynového kohoutku.

3. K nastavení šroubu pro nastavení průtoku použijte vhodný šroubovák. Pro LPG (propan-butan) otočte šroub ve směru hodinových ručiček. Při zemním plynu jednou otočte šroub proti směru hodinových ručiček.

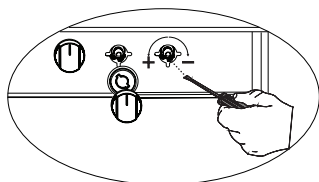
"Normální délka přímého plamene v redukované poloze by měla být 6-7 mm."

4. Pokud je plamen vyšší než požadovaná poloha, otáčejte šroubem ve směru hodinových ručiček. Je-li menší, otočte proti směru hodinových ručiček.

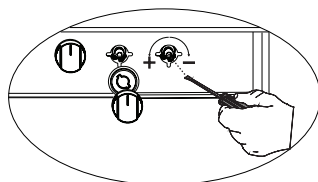
5. Při poslední kontrole zapněte hořák tak na vysoký plamen a do snížené polohy a zkontrolujte, zda je plamen zapnutý nebo vypnutý.

V závislosti na druhu plynového kohoutku, který se používá ve vašem spotřebiči, pozice seřizovacího šroubu může být odlišná.

Chcete-li nastavit vaši troubu podle typu plynu, proveďte opatrně nastavení pro snížený plamen otáčením pomocí malého šroubováku, jak je znázorněno níže, na šroubu uprostřed plynových kohoutků, jakož i vyměňte trysky (obrázky 1 a 2)



Obrázek č. 1.



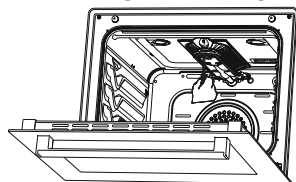
Obrázek č. 2.

Odstranění spodního a horního hořáku a instalace injektoru do plynové trubky

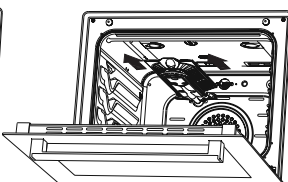
Odstranění horního hořáku:

Pomocí šroubováku vyjměte šroub, jak je znázorněno na obrázku 3. Jak je znázorněno na obrázku 4, vytáhněte hořák z jeho místa přetažením na sebe. Jak je znázorněno na obrázku 5, odstraňte trysku z uložení pomocí klíče. Pro opětovné umístění hořáku postupujte opačně.

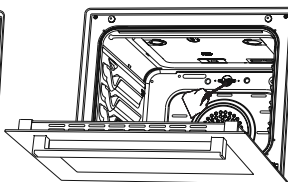
Obrázek č. 3.



Obrázek č. 4.



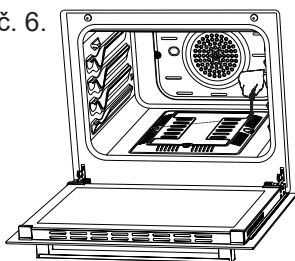
Obrázek č. 5.



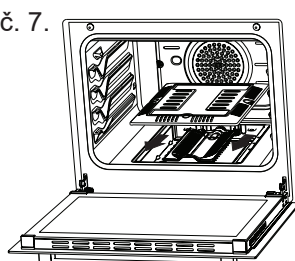
Odstranění spodního hořáku:

Dolní dveře hořáku jsou upevněny dvěma šrouby. Jak je znázorněno na obrázku 6, odstraňte je pomocí šroubováku. Dveře vytáhněte zatažením nahoru, jak je znázorněno na obrázku 7. Odstraňte hořák z jeho místa přetažením na sebe, jak je znázorněno na obrázku 8. Jak je znázorněno na obrázku 9, odstraňte trysku z uložení pomocí klíče. Pro opětovné umístění hořáku postupujte opačně.

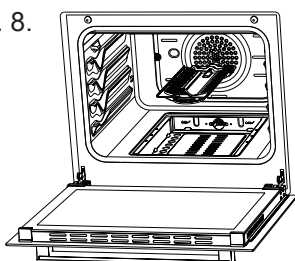
Obrázek č. 6.



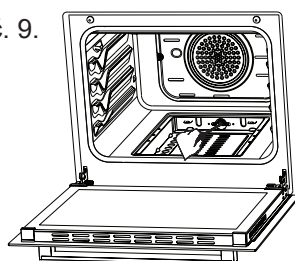
Obrázek č. 7.



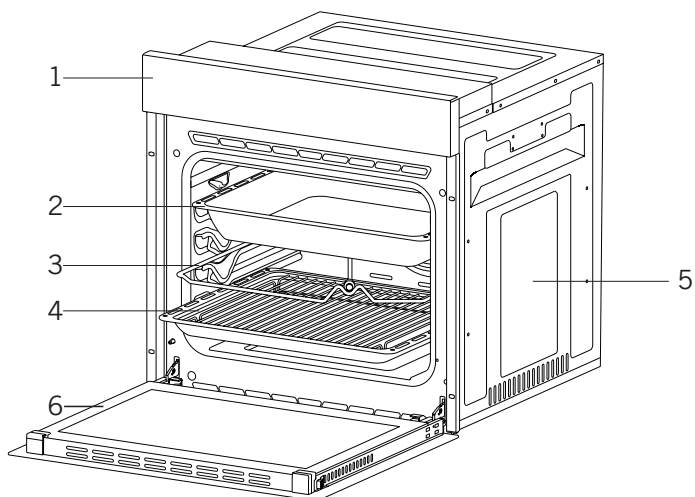
Obrázek č. 8.



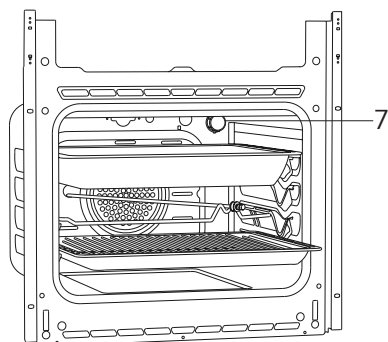
Obrázek č. 9.



PŘEDSTAVENÍ SPOTŘEBIČE



1. Ovládací panel
2. Hluboký plech *
3. Rožeň na pečení kuřat *
4. Drátěný rošt
5. Boční drátěné rošty
6. Dvířka trouby



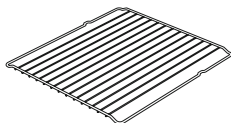
7. Svítidlo

Příslušenství



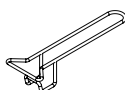
Hluboký podnos *

Používá se na pečivo, velké játra, vodnaté potraviny. Může se použít i jako nádoba na zachytávání oleje.



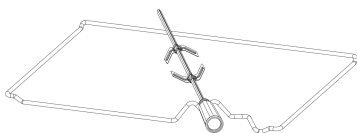
Drátěný rošť

Slouží k pečení nebo opékání pokrmů na požadovaném rošti.



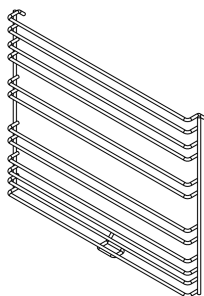
Rukojeť na plech *

Používá se k držení horkých plechů.



Rožeň na pečení kuřat

Rožeň na pečení kuřat se používá se zavřenými dvířky. Teplotu ohřevu lze upravovat podle potřeby. Na rožni na pečení kuřat je nejlepší připravovat pouze středně velké kusy.



Boční drátěné rošty

Jsou umístěny na obou stranách vnitřního prostoru trouby, drží kovové rošty a odkapávací plechy.

POZNÁMKA: Plechy a rošty v troubě nejsou vhodné pro přímý kontakt s jídlem. Používejte vhodné nádobí nebo pečicí papír.

Technické specifikace

Technický popis	60 cm Vestavná trouba
Napájení světla	15-25 W
Termostat	100-250 / Max °C
Ohříváč grilu	2000 W
Napájecí napětí	220-240 V ~ 50-60 Hz

Horák Technický popis	G20,20 mbar G25,25 mbar			G20,25 mbar		G30,28 -30 mbar G31,37 mbar		G30,37 mbar		G30,50 mbar	
	Zemní plyn			Zemní plyn		LPG		LPG		LPG	
Grilovací hořák	Tryska	1,00	mm	0,92	mm	0,70	mm	0,65	mm	0,60	mm
	Průtok plynu	0,190	m³/h	0 190	m³/h	145	g/h	145	g/h	145	g/h
	Tlačítko zapnutí	2,00	kW	2,00	kW	2,00	kW	2,00	kW	2,00	kW
Trouba na pečení	Tryska	1,10	mm	1,00	mm	0,75	mm	0,70	mm	0,65	mm
	Průtok plynu	0 238	m³/h	0 238	m³/h	182	g/h	182	g/h	182	g/h
	Tlačítko zapnutí	2,50	kW	2,50	kW	2,50	kW	2,50	kW	2,50	kW

VÝSTRAHA: Hodnoty průměru napsané na trysce jsou zadány bez čárky. Například: Průměr trysky 1,70 mm je specifikován jako 170.

Technické specifikace se mohou změnit bez předchozího upozornění s cílem zlepšit kvalitu výrobku.

Hodnoty dodané se zařízením nebo v jeho průvodních dokladech jsou laboratorní údaje v souladu s příslušnými normami. Tyto hodnoty se mohou lišit v závislosti na použití a od okolních podmínek.

Údaje v této příručce jsou schematické a nemusí přesně odpovídat vašemu výrobku.

INSTALACE SPOTŘEBIČE

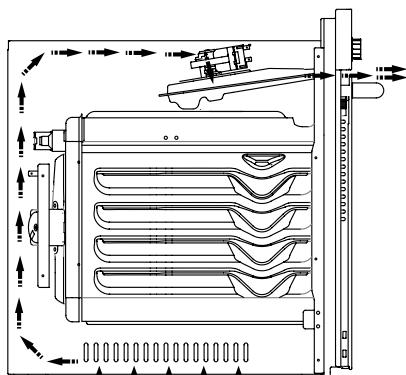
Ujistěte se, že elektrická instalace je vhodná pro provoz spotřebiče. Pokud ne, zavolejte elektrikáře a instalatéra a učiňte potřebná opatření. Výrobní firma nemůže nést odpovědnost za škody, které vzniknou v důsledku činnosti neoprávněných osob, a záruka na výrobek se stává neplatnou.

VÝSTRAHA: Je povinností zákazníka připravit místo, na kterém se má výrobek umístit, a také připravit potřebnou instalaci.

VÝSTRAHA: Při instalaci výrobku se musí dodržovat pravidla týkající se místních elektrických norem.

VÝSTRAHA: Před instalací zkontrolujte případné poškození spotřebiče. Neinstalujte produkt, pokud je poškozen. Poškozené výrobky ohrožují vaši bezpečnost.

Důležitá upozornění při instalaci:



Obrázek č. 10.

Chladicí ventilátor musí odvádět přebytečnou páru a zabraňovat přehřátí vnějších povrchů spotřebiče během provozu trouby. Je to nezbytná podmínka pro lepší provoz spotřebiče a kvalitnější vaření.

Chladicí ventilátor musí pokračovat v činnosti i po skončení vaření. Ventilátor se po skončení chlazení automaticky zastaví. Za krytem, kam umístíte spotřebič, musí zůstat volný prostor pro efektivní a dobrý provoz.

Tento prostor by neměl být ignorován, protože je potřebný pro fungování ventilačního systému spotřebiče.

Správné místo pro instalaci

Výrobek je určen k montáži na pracovní desky zakoupené na trhu. Mezi výrobkem a stěnami nebo nábytkem v kuchyni musí zůstat bezpečná vzdálenost. Správné vzdálenosti naleznete na nákresu na následující straně. (hodnoty v mm).

- Použité povrchy, syntetické lamináty a lepidla musí být odolné vůči teplu. (minimum 100 °C).
- Kuchyňské skříňky musí být v jedné rovině s výrobkem a zabezpečeny.
- Pokud je pod troubou zásuvka, mezi troubu a zásuvku je třeba umístit stojan.

VÝSTRAHA: Výrobek neinstalujte vedle chladniček nebo chladicích zařízení. Teplo vyzařované výrobkem zvyšuje spotřebu energie chladicích zařízení.

VÝSTRAHA: Nepoužívejte dvířka a/nebo rukojeť k přenášení nebo přemísťování produktu.

Instalace a montáž 60 cm vestavné trouby

Před zahájením instalace je třeba nalézt místo použití výrobku.

Výrobek se nesmí instalovat na místech, která jsou pod vlivem silného proudění vzduchu.

Výrobek musí přenášet minimálně dvě osoby. Výrobek netahejte, aby se nepoškodila podlaha.

Odstraňte veškeré přepravní materiály uvnitř i vně výrobku. Odstraňte všechny materiály a dokumenty ve výrobku.

Instalace pod pult

Skříňka musí odpovídat rozměrům uvedeným na obrázku 11.

V zadní části skříňky musí být zajištěn volný prostor, jak je uvedeno na obrázku, aby se dosáhlo potřebného větrání.

Po montáži je vůle mezi spodní a horní částí počítačidla označena na obrázku 14 písmenem "A". Slouží k větrání a nesmí být zakryta.

Instalace do vyvýšené skříně

Skříňka musí odpovídat rozměrům uvedeným na obrázku 13.

V zadní části skříňky, v horní a dolní části musí být zajištěny volné prostory o rozměrech uvedených na obrázku, aby bylo možné dosáhnout potřebného větrání.

Požadavky na instalaci

Rozměry výrobku jsou uvedeny na obrázku 12.

Povrchy nábytku pro montáž a použité montážní materiály musí mít minimální teplotní odolnost 100 °C.

Montážní skříňka musí být zajištěna a její podlaha musí být rovná, aby se výrobek nenakláněl.

Podlaha skříňky musí mít minimální pevnost, která snese zatížení 60 kg.

Umístění a zabezpečení trouby

Umístěte troubu do skříňky se dvěma nebo více osobami.

Dbejte na to, aby rám trouby a přední okraj nábytku rovnoměrně lícovaly.

Prívodní kabel nesmí být pod troubou, nesmí být stlačen mezi troubou a nábytkem ani se nesmí ohýbat.

Přípevněte troubu k nábytku pomocí šroubů dodaných s výrobkem. Šrouby musí být namontovány tak, jak je znázorněno na obrázku 14, a to tak, že se prostrčí přes plasty připevněné k rámu výrobku. Šrouby se nesmí příliš utahovat. V opačném případě by mohlo dojít k opotřebení zásuvek na šrouby.

Zkontrolujte, zda se trouba po montáži nehýbe. Pokud trouba není namontována v souladu s pokyny, hrozí její převrácení během provozu.

Elektrické připojení

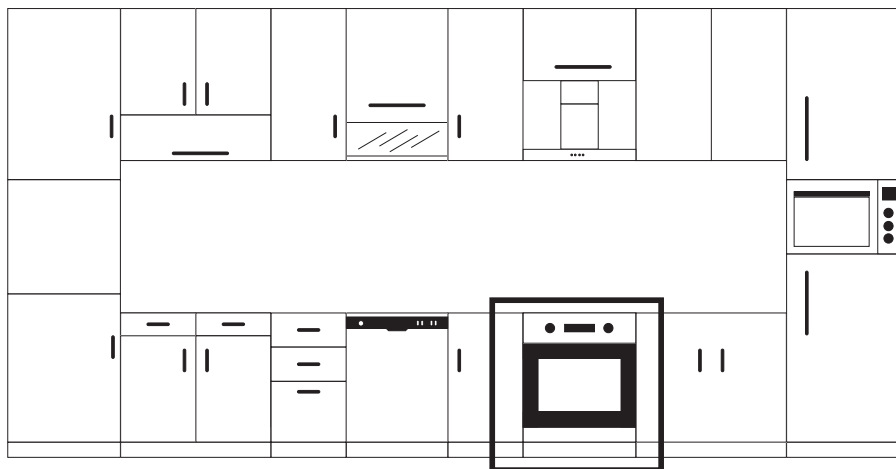
Místo montáže výrobku musí mít vhodnou elektrickou instalaci.

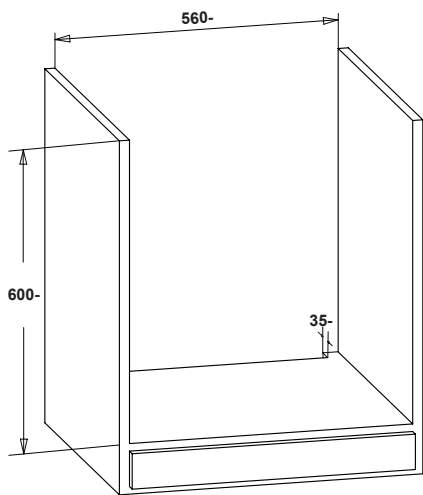
Síťové napětí musí být v souladu s hodnotami uvedenými na typovém štítku výrobku.

Připojení výrobku musí být provedeno v souladu s místními a národními elektrickými požadavky.

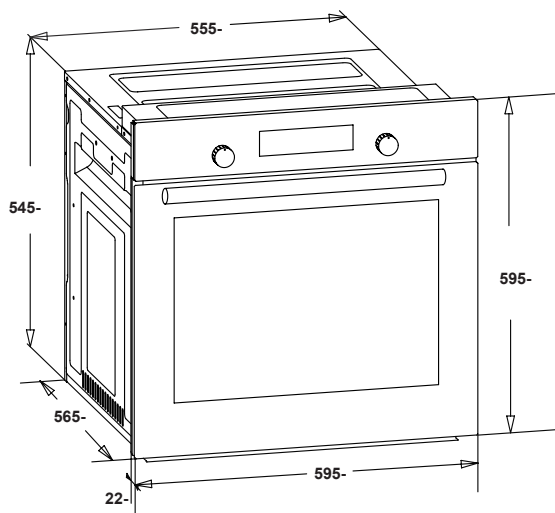
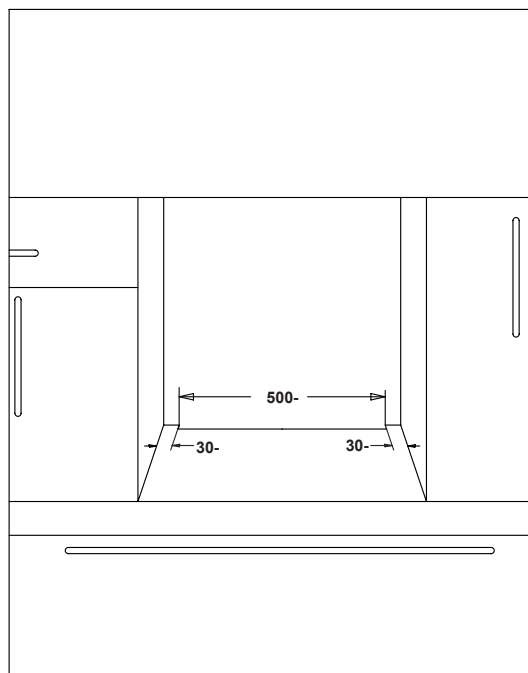
Před zahájením montáže odpojte napájení ze sítě. Výrobek nepřipojujte k síti, dokud není dokončena jeho montáž.

Montáž

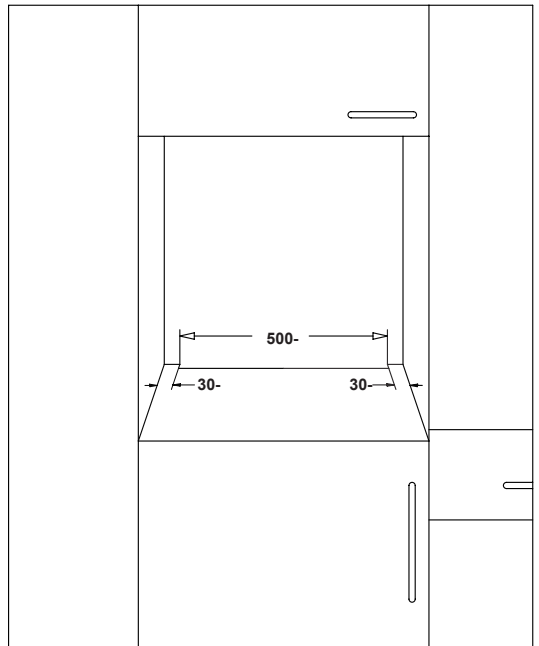
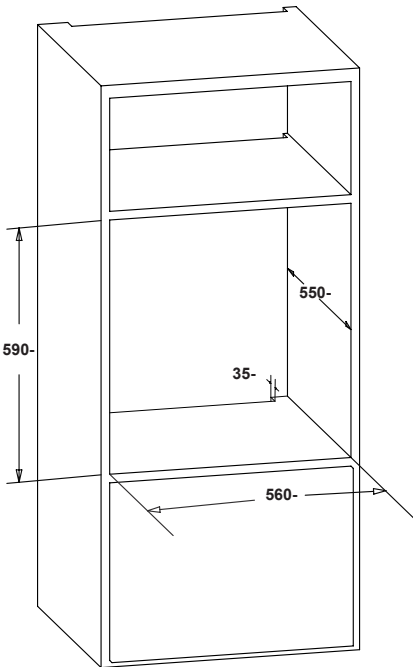
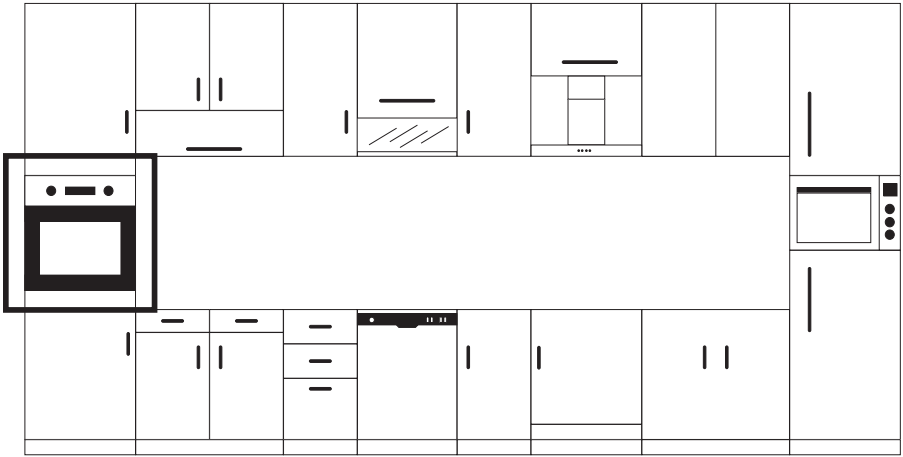




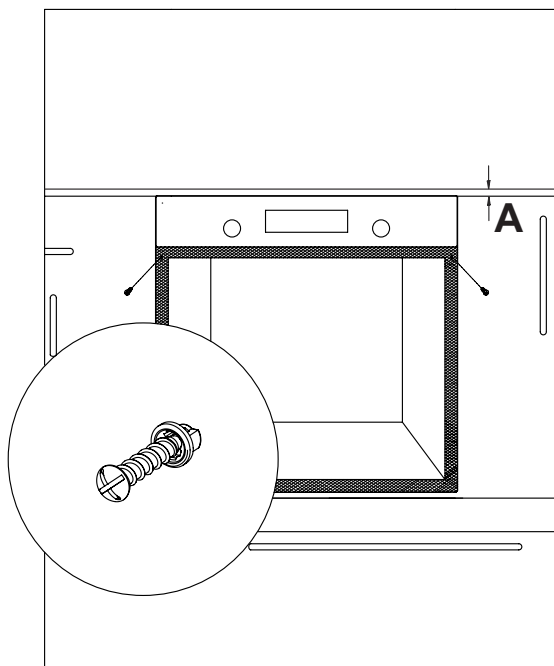
Obrázek č. 11.



Obrázek č. 12.



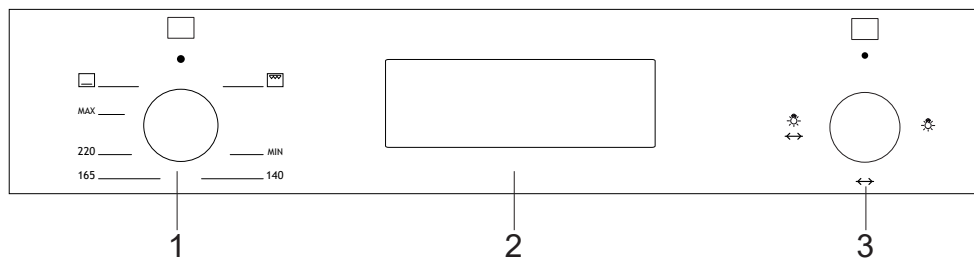
Obrázek č. 13.



Obrázek č. 14.

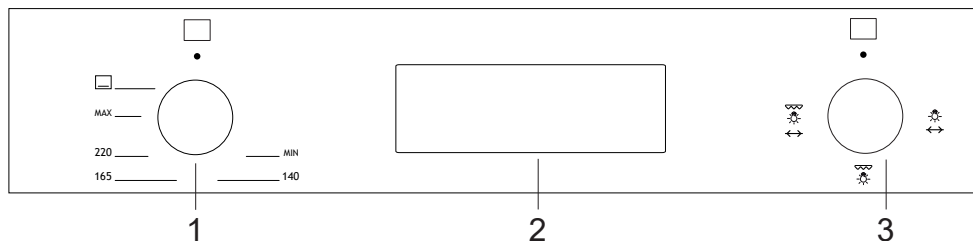
OVLÁDACÍ PANEL

Ovládací panel vestavné plynové trubky Obrázek



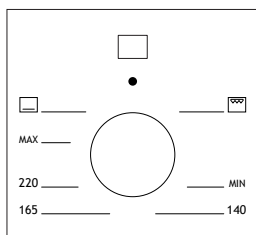
1. Tlačítko ovládání trouby
2. Mechanický nebo digitální časovač
3. Funkční tlačítka

Ovládací panel vestavné smíšené trouby Obrázek

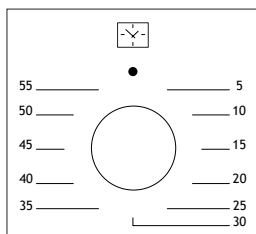


1. Tlačítko ovládání trouby
2. Mechanický nebo digitální časovač
3. Funkční tlačítka

VÝSTRAHA: Ovládací panel je uveden pouze pro účely ilustrace. Sledujte ovládací panel vašeho zařízení.



Tlačítko ovládání trouby: Slouží k ovládání plynových hořáků trouby (pro termostatický hořák trouby a horní hořák). K zapálení plynových hořáků můžete použít i funkci zapalování pod knoflíkem.



Tlačítko mechanického časovače *: Pomáhá nastavit dobu přípravy jídla v troubě. Časy pečení naleznete v tabulce.

POUŽÍVÁNÍ TROUBY

Počáteční použití trouby

Věci, které musíte udělat při prvním použití trouby po provedení potřebných připojení podle návodu:

1. Odstraňte štítky nebo příslušenství připevněné uvnitř trouby. Pokud existuje, vyjměte ochrannou fólii na přední straně spotřebiče.

2. Prach a zbytky obalů odstraňte otřením vnitřku trouby vlhkým hadříkem. Vnitřek trouby musí být prázdný. Zapojte kabel spotřebiče do elektrické zásuvky.

3. Nastavte tlačítko termostatu na nejvyšší teplotu (max. 250 °C) a spusťte troubu na 30 minut se zavřenými dvířky. Mezitím se může objevit mírný kouř a zápach, což je normální situace.

4. Vnitřek trouby po vychladnutí otřete mírně teplou vodou se saponátem a poté ji osušte čistým hadříkem. Nyní můžete používat troubu.

Běžné používání trouby

1. Horní (gril) a spodní hořák této plynové trubky lze používat pouze jednotlivě. Když chcete použít vybraný hořák, nejprve stiskněte knoflík kohoutku a počkejte 5 sekund, aby se z trubek vypustil vzduch. Potom můžete hořák zapálit automatickým zapalovacím systémem (volitelné) nebo zápalkou.

2. Po zapálení hořáku musíte knoflík držet stisknutý 10 až 15 sekund, aby systém kontroly plamene fungoval.

3. Když se hořák po minutě nebo dvou zapálí a úplně se rozhoří, můžete zavřít dvířka trouby.

4. Čas vaření můžete nastavit na libovolný čas pomocí tlačítka na modelech s mechanickým časovačem. Časovač po uplynutí času vypne ohřívače a vydá varovný signál jako vyzvánění.

5. Časovač vypne ohřívače a vydá zvukový signál po uplynutí času vaření v souladu s informacemi zadanými v modelech s digitálním časovačem.

6. Chladicí systém spotřebiče bude pokračovat v provozu i po skončení vaření. V této situaci nevypínejte napájení spotřebiče, které je potřebné k vychladnutí spotřebiče. Systém se po dokončení chlazení vypne.

Používání grilu

1. Když umístíte gril na horní stojan, jídlo na grilu se nesmí dotýkat mříží.
2. Před grilováním můžete troubu předehřát po dobu 5 minut. V případě potřeby můžete potraviny otočit vzhůru nohama.
3. Jídlo se musí nacházet ve středu grilu, pro zajištění maximálního průtoku vzduchu přes troubu.

Zapnutí grilu;

1. Umístěte tlačítko pro volbu funkcí na symbol grilu.
2. Potom nastavte požadovanou teplotu grilu.

Vypnutí grilu;

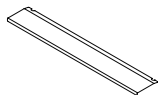
Nastavte tlačítko pro volbu funkcí do vypnuté polohy.

VÝSTRAHA: Během grilování nechte dvířka trouby zavřená. (elektrický gril)

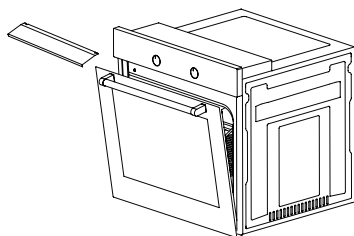
VÝSTRAHA: Během grilování nechte dvířka trouby otevřená. (plynový gril)

Použití Listu deflektoru pro grilování *

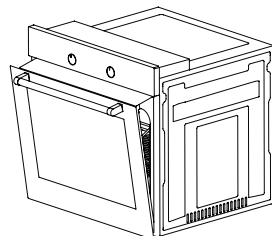
1. Otevřením předních dvířek trouby umístěte tepelný štít pod ovládací panel. (Obrázek 16)
2. Dva montážní výstupky na tepelném štítu umístěte do dvou otvorů pod ovládacím panelem a poté je jemným zavřením dvířek zajistěte na místě mezi troubou a vnitřními dvířky. (Obrázek 17)
3. Při grilování je důležité, aby byla dvířka otevřena v určené vzdálenosti.
4. Tepelný štít zajistí ideální výkon vaření a zároveň chrání ovládací panel a knoflíky.



Obrázek č. 15.



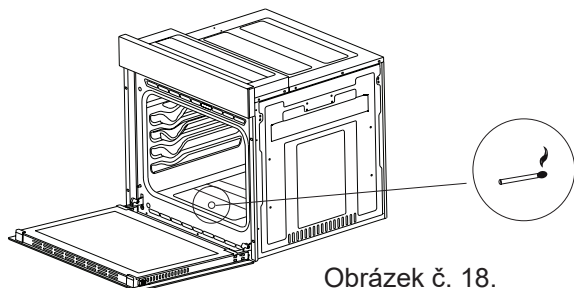
Obrázek č. 16.



Obrázek č. 17.

Návod pro osvětlení trouby

V případě výpadku proudu lze hořák trouby zapálit ručně:



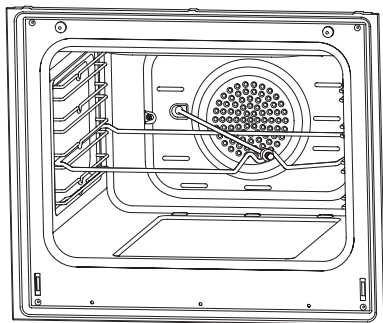
Obrázek č. 18.

1. Otevřete dvířka trouby.
2. Zápalku nebo zapalovač držte v blízkosti otvoru hořáku, jak je znázorněno na obrázku.
3. Po zapálení hořáku zavřete dvířka trouby.

POZNÁMKA: Pokud hořák trouby náhodně zhasne, otočte ovládací knoflík trouby do polohy vypnuto, otevřete dvířka trouby, vyvětrejte kuchyň a počkejte alespoň jednu minutu, než se pokusíte hořák znovu zapálit.

POZOR: V troubě je k dispozici automatický spínač. Tuto funkci použijte při výpadku napájení.

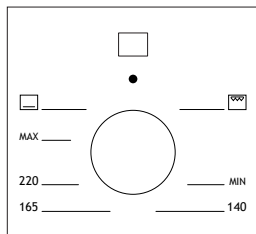
Použití Pečení kuřete *



Obrázek č. 19.

Vložte rožeň na rám. Posuňte rám na rožně do trouby na požadovanou úroveň. Nasadte odkapávací plech na dno pro sběr tuku. Přidejte trochu vody do odkapávacího plechu pro snadné čištění. Nezapomeňte odstranit plastovou část z jehel. Po grilování zašroubujte plastovou rukojeť na špíz a vyjměte jídlo z trouby.

TYP PROGRAMU



Programové tlačítko: Pomáhá nastavit, s jakým ohřevem se bude jídlo vložené do trouby péct. Typy ohřívacího programu tohoto tlačítka a jejich funkce jsou uvedeny níže. Každý model nemusí mít všechny typy ohřivačů, a tedy ani typy programů těchto ohřivačů.

Níže jsou uvedeny typy programů ohřevu ve vašem spotřebiči a jejich důležitá vysvětlení, abyste mohli vařit různá jídla podle vaší chuti.

	Trouba na pečení		Grilovací hořák
	Pečené kuře *		Svítilno
	Časovač		Turbo ventilátor*

Hořák trouby: Pomocí spodního ohřevu můžete ohřívát nebo opékat pokrmy. Je také nejvhodnější k ohřívání potravin s delší dobou skladování.

Grilovací hořák Tato funkce se používá ke grilování. Pokrm položte na drátěnou mřížku a vložte drátěnou mřížku do horního roštu trouby. Po vložení hlubokého plechu do trouby pod drátěnou mřížku.

DOPORUČENÍ NA VAŘENÍ

V následující tabulce naleznete informace o druzích potravin, které jsme testovali a určili jejich hodnoty při vaření v našich laboratořích. Čas vaření se může lišit v závislosti na síťovém napětí, kvalitě vařeného materiálu, množství a teplotě. Jídla, která se mají vařit podle těchto hodnot, nemusí vyhovovat vaší chuti. Testováním můžete nastavit různé hodnoty pro dosažení různých chutí a výsledků podle vašeho vkusu.

VÝSTRAHA: Trouba musí být před vložení pokrmu předeřhátá 7-10 minut.

Varná deska

Potraviny	Vaření funkce	Vaření teplota (°C)	Mřížka na vaření	Vaření čas (min.)
Koláč	Trouba	170-180	3	35-45
Malý koláč	Trouba	170-180	3	25-30
Koláče	Trouba	180-200	3	35-45
Listové těsto	Trouba	180-190	3	20-25
Koláčky	Trouba	170-180	3	20-25
Jablečný koláč	Trouba	180-190	3	50-70
Piškotové koláče	Trouba	200/150“	3	20-25
Pizza	Trouba	180-200	3	20-30
Lasagne	Trouba	180-200	3	25-40
Pusinky	Trouba	100	3	50
Grilované kura	Gril	200-220	3	25-35
Grilovaná ryba **	Gril	200-220	3	25-35
Telecí steak **	Gril	Max	4	15-20
Grilované masové koule **	Gril	Max	4	20-25

* Nepřehřívejte. První polovina pečení se doporučuje při teplotě 200 °C, druhá polovina při 150 °C.

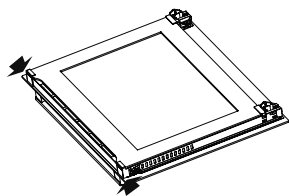
** Jídlo se musí po polovině času pečení otočit.

ÚDRŽBA A ČIŠTĚNÍ

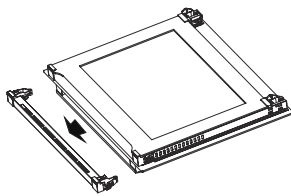
1. Vytáhněte síťovou zástrčku z elektrické zásuvky.
2. Vnitřní části, panel, zásobníky a jiné části výrobku nečistěte tvrdými nástroji, jako jsou štětiny, drátěná vlna nebo nůž. Nepoužívejte abrazivní, škrábací materiály ani čisticí prostředky.
3. Po otření částí na vnitřních stranách výrobku opláchněte mýdlovým hadříkem a poté důkladně osušte měkkým hadříkem.
4. Skleněné povrchy čistěte speciálním materiálem pro čištění skla.
5. Výrobek nečistěte parními čističi.
6. Při čištění výrobku nikdy nepoužívejte hořlavé látky, jako jsou kyseliny, ředidla a plyn.
7. Žádnou část výrobku nemyjte v myčce nádobí.
8. Na nečistoty a skvrny použijte stearan draselný (jemné mýdlo).

Čištění skla trouby

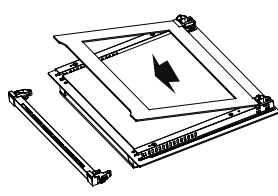
Zvedněte jej stisknutím plastových západek na levé a pravé straně, jak je znázorněno na obrázku 20, a zatáhněte za profil k sobě, jak je znázorněno na obrázku 21. Po odstranění profilu se sklo uvolní, jak je znázorněno na Obrázku 22. Uvolněné sklo odstraňte opatrným potažením směrem k sobě. Vnější sklo je připevněno k profilu dvířek trouby. Po uvolnění brýlí můžete snadno provést čištění skla. Po ukončení čištění a údržby můžete brýle namontovat zpět provedením opačných operací. Zkontrolujte, zda je profil správně usazen na místě.



Obrázek č. 20.

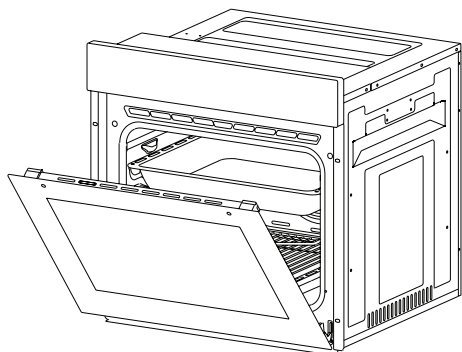


Obrázek č. 21.

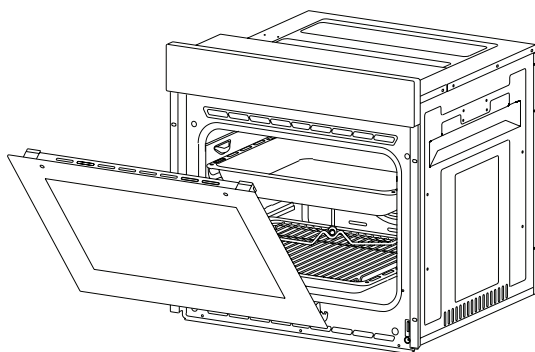


Obrázek č. 22.

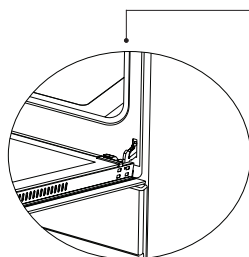
Čištění a montáž dvířek trouby



Obrázek č. 23.

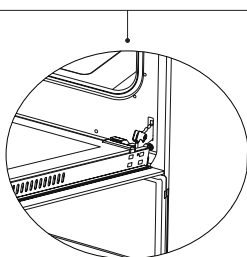


Obrázek č. 24.



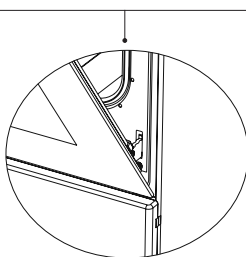
Obrázek č. 23,1.

Úplné otevření dvířek potažením za dvířka trouby směrem k sobě. Potom provedte odemčení vytáhnutím zámku závěsu nahoru pomocí šroubováku, jak je uvedeno v **Obrázku 23,1**.



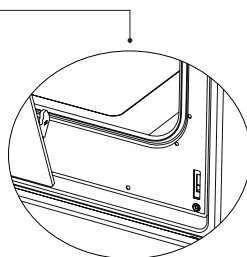
Obrázek č. 23,2.

Nastavit zámek závěsu do nejširšího úhlu, jak je na **obrázku 23.2**. Obě závěsy připojující se ke dveřím trouby uveďte do stejné polohy.



Obrázek č. 24,1.

Později zavřete otevřená dvířka trouby tak, aby byla v kontaktu se zámkem závěsu podle **obrázku 24.1**.



Obrázek č. 24,2.

Pro snazší vyjmutí dvířek trouby, když se přiblíží k zavěsné poloze, podržte kryt dvěma rukama jako na **obrázku 24.2** a zatáhněte směrem nahoru.

Při zpětné montáži dvířek trouby postupujte opačně, než jste postupovali při odstraňování dvířek.

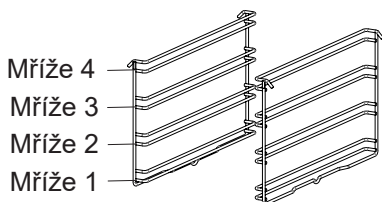
Katalytické stěny *

Katalytické stěny jsou umístěny na levé a pravé straně dutiny pod vodíci lištami. Katalytické stěny zbavují nepříjemný zápach a poskytují nejlepší výkon ve sporáku. Katalytické stěny také absorbují zbytky oleje a během provozu vyčistí vaši troubu.

Odstranění katalytických stěn

Pro odstranění katalytických stěn musí být odstraněny vodíci lišty. Po vytažení vodících lišt se katalytické stěny se uvolní automaticky. Katalytické stěny se musí měnit po 2-3 letech.

Pravidla při manipulaci



Je důležité, abyste drátovou mřížku správně vložili do trouby. Nedovolte, aby se drátěná mřížka dotýkala zadní stěny trouby. Polohy mřížky jsou znázorněny na následujícím obrázku. Do dolní a horní drátěné mřížky můžete umístit hluboký plech nebo standardní plech.

Instalace a odstranění drátěných mřížek

Chcete-li odstranit drátěné mřížky, stiskněte na západky na obrázku se šipkami, nejprve odstraňte spodní a horní stranu od místa instalace. Pro instalaci drátěných mřížek; zopakujte postup odstranění drátěného nosiče v opačném pořadí.

Výměna lampy v troubě

VÝSTRAHA: Aby nedošlo k úrazu elektrickým proudem, zajistěte, aby před výměnou lampy zařízení byl elektrický obvod přerušen. (vypnutý obvod znamená vypnuté napájení)

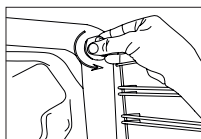
Nejprve odpojte napájení spotřebiče a ujistěte se, že spotřebič je studený.

Ochranné sklo odstraňte otáčením, jak je znázorněno na obrázku na levé straně. Pokud máte potíže s otáčením, pomohou vám plastové rukavice.

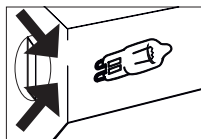
Potom vyjměte lampu otočením, vložte novou lampu se stejnými parametry.

Opětovně namontujte ochranné sklo, zapojte napájecí kabel spotřebiče do elektrické zásuvky a dokončete výměnu. Nyní můžete používat troubu.

Lampa typ G9



220-240 V, AC
15-25 W



Obrázek č. 25.

Lampa typ E14



220-240 V, AC
15 W



Obrázek č. 26.

VÝSTRAHA: Tento výrobek obsahuje světelný zdroj třídy energetické účinnosti G.

ŘEŠENÍ PROBLÉMŮ

Problémy, se kterými se můžete setkat s vaším produktem, můžete vyřešit ještě před tím, než zavoláte technickou službu, zkontrolujte následující body.

Kontrolní body

Pokud máte problém s troubou, nejprve zkontrolujte tabulku níže a vyzkoušejte návrhy.

Problém	Možná příčina	Co dělat
Trouba nefunguje.	Síťové napájení není k dispozici.	Zkontrolujte napájení.
	Dodávka plynu není k dispozici.	Zkontrolujte, zda je hlavní plynový ventil otevřen.
		Zkontrolujte, zda plynové potrubí není ohnuté nebo zalomené.
		Ujistěte se, že plynová hadice je připojena k troubě.
	Zkontrolujte, zda se používá vhodný plynový ventil.	
Během pečení se trouba zastaví.	Zástrčka vypadla ze zásuvky.	Znovu zastrčte zástrčku do elektrické zásuvky.
Trouba se během pečení vypne.	Příliš dlouhý nepřetržitý provoz.	Po dlouhých cyklech pečení nechte troubu vychladnout.
	Více než jedna zástrčka zasunuta v zásuvce.	Na každou síťovou zásuvku používejte pouze jednu zástrčku.
Dvířka trouby se neotvírají správně.	Mezi dveřmi a vnitřní dutinou se zasekly zbytky potravin.	Troubu dobře vyčistěte a zkuste znovu otevřít dvířka.
Zásah elektrickým proudem při dotyku trouby.	Není správné uzemnění.	Zkontrolujte, zda je napájení správně uzemněno.
	Používá se neuzemněná zásuvka.	

Problém	Možná příčina	Co dělat
Odkapávání vody.	Při určitých podmínkách může vzniknout voda nebo pára v závislosti na pečení. Není to chyba zařízení.	Nechte troubu vychladnout a pak ji osušte pomocí utěrky.
Z mezery na dvířkách trouby vystupuje pára.		
Uvnitř trouby zůstala voda.		
Trouba nehřeje.	Dvířka trouby jsou otevřená.	Zavřete dveře a znovu spusťte troubu.
	Ovládací prvky trouby nejsou správně nastaveny.	Přečtěte si část týkající se provozu trouby a vynulujte troubu.
	Pojistka nebo jistič jsou vypnuty.	Vyměňte pojistku nebo resetujte jistič. Pokud se to opakuje často, zavolejte elektrikáře.
Kouř vycházející během provozu.	Při prvním použití trouby	Z topných prvků vychází kouř. Není to chyba. Po 2-3 cyklech už kouř pomine.
	Zbytky jídla na topných prvcích.	Nechte troubu vychladnout a vyčistěte zbytky z topných prvcích.
Při provozu z trouby vychází pach hoření nebo plastu.	Uvnitř trouby se používá plastové nebo jiné tepelně odolné příslušenství.	Při vysokých teplotách používejte vhodné skleněné příslušenství.
Trouba nefunguje dobře.	Dvířka trouby se během vaření často otevírají.	Neotvírejte často dvířka trouby, pokud potraviny, které pečete, nevyžadují otáčení. Pokud otevřete dvířka, často dojde k poklesu vnitřní teploty, a proto dojde k ovlivnění výsledku pečení.
Vnitřní světlo je slabé nebo nefunguje.	Během pečení lampu pokrývá cizí předmět.	Vyčistěte vnitřní povrch trouby a znovu ji zkontrolujte.
	Lampa může být porouchaná.	Vyměňte za žárovku se stejnými specifikacemi.

PRAVIDLA PŘI PŘENOSU

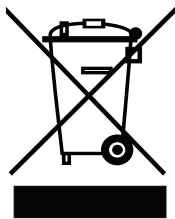
1. Nepoužívejte dvířka a/nebo rukojeť k přenášení nebo přemísťování spotřebiče.
2. Provedte přenos a přepravu v původním obalu.
3. Při nakládání/vykládání a manipulaci spotřebiče věnujte maximální pozornost.
4. Při manipulaci a přepravě se přesvědčte, zda je obal bezpečně uzavřen.
5. Chraňte spotřebič před vnějšími vlivy (jako jsou vlhkost, voda atd.), které mohou poškodit obal.
6. Dávejte pozor, aby při manipulaci a přepravě nedošlo k poškození spotřebiče v důsledku nárazů, úderů, pádů atd., během provozu .

DOPORUČENÍ PRO ÚSPORU ENERGIE

Následující podrobnosti vám pomohou používat váš produkt ekologickým a ekonomickým způsobem.

1. Používejte nádoby tmavé barvy a smaltované nádoby, které v troubě lépe vedou teplo.
2. Když připravujete jídlo, pokud recept nebo uživatelská příručka naznačuje, že je třeba předehřátí, předehřívajte troubu.
3. Při pečení neotvírejte často dvířka trouby.
4. Pokuste se péct v troubě více jídel současně. Můžete péct současně umístěním dvou pánví na drátěný stojan.
5. Pečte několik jídel postupně. Trouba neztratí své teplo.
6. Troubu vypněte několik minut před uplynutím doby pečení. V takovém případě neotvírejte dvířka trouby.
7. Před pečením zmražené potraviny rozmrazte.

ZNEŠKODNĚNÍ V SOULADU S OCHRANOU ŽIVOTNÍHO PROSTŘEDÍ



Balení zlikvidujte ekologickým způsobem.

Tento spotřebič je označen v souladu s evropskou směrnicí 2012/19/EU o používání elektrických a elektronických zařízení (odpadní elektrická a elektronická zařízení - WEEE). Pokyny určují rámec pro vrácení a recyklaci použitých spotřebičů, které se uplatňují v celé EU.

INFORMACE O BALENÍ

Obalové materiály výrobku jsou vyrobeny z recyklovatelných materiálů v souladu s našimi národními předpisy o životním prostředí. Nevyhazujte obalové materiály spolu s domácími nebo jinými odpady. Vezměte je do sběrných míst pro obalové materiály určené místními orgány.

عزيزي العميل،

شكراً لاعتقادك على هذا المنتج. هدفنا هو أن نسمح لك باستخدام هذا المنتج الصديق للبيئة الذي تم إنتاجه في منشأتنا الحديثة بشكل مثالي وفعال في ظل ظروف دقيقة في ما يتعلق بإحساس الجودة بشكل عام.

ننصحك بقراءة دليل التشغيل هذا جيداً قبل استخدام الفرن والاحتفاظ به بشكل دائم حتى تظل ميزات الفرن المدمج الذي اشتريته كما كانت في اليوم الأول لفترة طويلة.

ملاحظة: تم إعداد دليل التشغيل هذا لنماذج متعددة. قد لا يتمتع جهازك ببعض الوظائف المحددة في الدليل.

صور المنتج تخطيطية.

تم إنتاج هذا المنتج في منشآت حديثة صديقة للبيئة دون التأثير سلباً في الطبيعة.

المنتجات التي تحمل علامة (*) هي اختيارية.

"متوافق مع لائحة النفايات الكهربائية والإلكترونية"

المحتويات

250	تحذيرات مهمة
260	الربط الكهربائي
261	توصيل الغاز
265	تقديم الجهاز
266	الملحقات
267	المواصفات الفنية
267	تركيب الأجهزة
273	لوحة التحكم
275	استخدام الفرن
276	استخدام الشواية
276	استخدام ورقة عاكس الشواية
277	إشعال الفرن يدويًا
277	استخدام وظيفة شوي الدجاج
278	أنواع البرامج
278	توصيات الطهي
279	طاولة الطهي
280	أعمال الصيانة والتنظيف
280	تنظيف زجاج الفرن
281	تنظيف وتركيب باب الفرن
282	اللوحة التحفيزي
282	مواضع الرفوف
283	استبدال مصباح الفرن
284	استكشاف الأعطال وإصلاحها
286	قواعد التعامل
286	توصيات لتوفير الطاقة
287	التخلص من النفايات بطريقة صديقة للبيئة
287	معلومات الحزمة

تحذيرات مهمة

1. يجب أن يتم إجراء التثبيت والإصلاح دائماً بواسطة "خدمة معتمدة". لا يتحمل المصنع أي مسؤولية عن العمليات التي يقوم بها أشخاص غير مصرح لهم.
2. تُرجى قراءة تعليمات التشغيل هذه بعناية. وبهذه الطريقة فقط يمكنك استخدام الجهاز بأمان وبطريقة صحيحة.
3. ينبغي استخدام الفرن وفقاً لتعليمات التشغيل.
4. أبق الأطفال الذين تقل أعمارهم عن 8 سنوات والحيوانات الأليفة بعيداً عند التشغيل.
5. قد تسخن الأجزاء التي يمكن الوصول إليها في أثناء الاستخدام. يجب إبعاد الأطفال الصغار.
6. تحذير: خطر الحريق: لا تخزن الأغراض على أسطح الطهي.
7. تحذير: يصبح الجهاز ساخناً أثناء الاستخدام. يجب توخي الحذر لتفادي لمس عناصر التسخين داخل الفرن.
8. تم الإشارة إلى شروط تشغيل هذا الجهاز على الملصق. (أو على لوحة البيانات)
9. قد تكون الأجزاء التي يمكن الوصول إليها ساخنة عند استخدام الشواية. ينبغي إبقاء الأطفال الصغار بعيداً.
10. تحذير: هذا الجهاز مخصص للطهي. لا ينبغي استخدامه لأغراض أخرى مثل تدفئة الغرفة.
11. لتنظيف الجهاز، لا تستخدم منظفات البخار.
12. تأكد من إغلاق باب الفرن بشكل كامل بعد وضع الطعام داخل الفرن.

13. لا تحاول أبدًا إطفاء النار بالماء. فقط قم بإغلاق دائرة الجهاز ثم قم بتغطية اللهب بغطاء أو بطانية حريق.
14. تحذير: ينبغي إقصاء الأطفال الأقل من 8 سنوات عن الجهاز ما لم يُشرف عليهم بشكل مستمر.
15. ينبغي تجنب لمس عناصر التسخين.
16. تنبيه: يجب الإشراف على عملية الطهي. ينبغي دائمًا الإشراف على عملية الطهي.
17. يُمكن أن يستخدم هذا الجهاز الأطفال البالغ أعمارهم 8 سنوات أو أكثر والأشخاص الذين يعانون نقصًا في القدرات البدنية أو الحسية أو العقلية أو الأشخاص الذين لديهم نقص في الخبرة أو المعرفة إذا خضعوا للإشراف أو قُدِّمت لهم تعليمات بشأن استخدام الجهاز بطريقة آمنة وكان لديهم فهم للمخاطر التي ينطوي عليها. يجب ألا يعيثر الأطفال بالجهاز. ينبغي عدم قيام الأطفال بالتنظيف وأعمال صيانة المستخدم دون إشراف.
18. تم تصميم هذا الجهاز للاستخدام المنزلي فقط.
19. يجب ألا يعيثر لأطفال بالجهاز. لا يجوز للأطفال تنظيف الجهاز أو صيانته إلا إذا كانوا أكبر من 8 سنوات وتحت إشراف البالغين.
20. احتفظ بالجهاز وسلك الطاقة الخاص به بعيدًا عن متناول الأطفال الذين تقل أعمارهم عن 8 سنوات.
21. قم بإبعاد الستائر أو القماش الشبكي أو الورق أو أي مادة قابلة للاشتعال عن الجهاز قبل البدء في استخدامه. لا تضع مواد قابلة للاشتعال على الجهاز أو داخله.
22. احرص على إبقاء قنوات التهوية مفتوحة.

- 23.** لا يُعد الجهاز مناسبًا للاستخدام مع مؤقت خارجي أو نظام تحكم عن بعد منفصل.
- 24.** لا تسخن العلب المغلقة والبرطمانات الزجاجية. قد يؤدي الضغط إلى انفجار البرطمانات.
- 25.** مقبض الفرن ليس مجففًا للمناشف. لا تعلق المناشف وما إلى ذلك على مقبض الفرن.
- 26.** لا تضع صواني الفرن أو الأطباق أو رقائق الألومنيوم مباشرة على قاعدة الفرن. قد تتسبب الحرارة المتراكمة في إتلاف قاعدة الفرن.
- 27.** عند وضع الطعام في الفرن أو إخراجه منه، وما إلى ذلك، استخدم دائمًا قفازات الفرن المقاومة للحرارة.
- 28.** لا تستخدم المنتج في حالات مثل تناول الأدوية و/أو كنت تحت تأثير الكحول، ما قد يؤثر في قدرتك على الحكم.
- 29.** توخ الحذر عند استخدام الكحول في الأطعمة الخاصة بك. حيث يتبخر الكحول عند درجات الحرارة العالية وقد يشتعل مسببًا حريقًا إذا لامس الأسطح الساخنة.
- 30.** بعد كل استخدام، تأكد من إيقاف تشغيل الوحدة.
- 31.** إذا كان الجهاز معيَّبًا أو به ضرر واضح، فلا تشغله.
- 32.** لا تلمس القابض بأيِّدٍ مبللة. لا تسحب السلك لفصل القابض، امسك القابض دائمًا.
- 33.** لا تستخدم الجهاز إذا كان زجاج الباب الأمامي ممزقًا أو مكسورًا.
- 34.** ضع ورق الخبز مع الطعام في فرن مسخن مسبقًا عن طريق وضعه داخل وعاء الطهي أو على ملحق الفرن (صينية، شواية سلكية، وغير ذلك).
- 35.** لا تضع أشياء يمكن للأطفال الوصول إليها على الجهاز.

36. من المهم وضع الشواية السلكية والصينية بشكل صحيح على الرفوف السلكية و/أو وضع الصينية بشكل صحيح على الرف. ضع الشواية أو الصينية بين قضبانين وتأكد من توازنها قبل وضع الطعام عليها.

37. لتجنب خطر لمس عناصر تسخين الفرن، وقم بإزالة الأجزاء الزائدة من ورق الخبز المتدلية من الملحق أو الحاوية.

38. لا تستخدمه أبدًا في درجات حرارة فرن أعلى من الحد الأقصى لدرجة حرارة الاستخدام الموضحة على ورق الخبز الخاص بك. لا تضع ورق الخبز على قاعدة الفرن. لتجنب خطر لمس عناصر تسخين الفرن، وقم بإزالة الأجزاء الزائدة من ورق الخبز المتدلية من الملحق أو الحاوية.

39. عندما يكون الباب مفتوحًا، لا تضع أي جسم ثقيل على الباب ولا تسمح للأطفال بالجلوس عليه. قد يؤدي ذلك إلى انقلاب الفرن أو إتلاف مفصلات الباب.

40. مواد التعبئة والتغليف تشكل خطرًا على الأطفال. احتفظ بمواد التغليف بعيدًا عن متناول الأطفال.

41. لا تستخدم المنظفات الكاشطة أو مكاشط المعادن الحادة لتنظيف الزجاج حيث إن الخدوش التي قد تحدث على سطح زجاج الباب قد تتسبب في كسر الزجاج.

42. لا ينبغي للمستخدم التعامل مع الفرن بنفسه.

43. في أثناء الاستخدام، تصبح الأسطح الداخلية والخارجية للفرن ساخنة. وعند فتح باب الفرن، تراجع إلى الخلف لتجنب خروج البخار الساخن من الداخل. هناك خطر التعرض للحرق.

44. لا تضع أشياء ثقيلة عندما يكون باب الفرن مفتوحًا، فهناك خطر السقوط.

- 45.** ومن الممكن فصل مصدر الطاقة للفرن في أثناء أي أعمال بناء في المنزل. وبعد الانتهاء من العمل، تجب إعادة توصيل الفرن عن طريق الخدمة المعتمدة.
- 46.** يجب على المستخدم عدم تحريك عنصر المقاومة في أثناء التنظيف. قد يسبب صدمة كهربائية.
- 47.** لمنع ارتفاع درجة الحرارة، لا ينبغي تركيب الجهاز خلف غطاء مزخرف.
- 48.** أوقف تشغيل الجهاز قبل إزالة الضمانات. بعد التنظيف، قم بتثبيت الضمانات وفقاً للتعليمات.
- 49.** تجب حماية نقطة تثبيت الكابل.

السلامة الكهربائية

1. قم بتوصيل الجهاز بمقبس كهربائي مؤرض محمي بواسطة منصهر يتوافق مع القيم المحددة في مخطط المواصفات الفنية.
2. اطلب من كهربائي معتمد أن يقوم بإعداد معدات التأريض. لن تكون شركتنا مسؤولة عن الأضرار التي قد تحدث بسبب استخدام المنتج دون تأريض وفقاً للوائح المحلية.
3. يجب وضع مفاتيح قاطع الدائرة الخاصة بالفرن بحيث يتمكن المستخدم النهائي من الوصول إليها عند تركيب الفرن.
4. يجب ألا يتلامس سلك مصدر الطاقة (السلك مع القابس) مع الأجزاء الساخنة من الجهاز.
5. وفي حال تلف سلك مصدر الطاقة (السلك مع القابس)، يجب استبدال هذا السلك من قبل الشركة المصنعة أو وكيل الخدمة الخاص بها أو شخص مؤهل بالقدر نفسه لمنع حدوث موقف خطير.
6. لا تقم أبداً بغسل الجهاز عن طريق الرش أو سكب الماء عليه. هناك خطر التعرض للصعق الكهربائي.
7. تحذير: لتجنب الصدمات الكهربائية، تأكد من أن دائرة الجهاز مفتوحة قبل تغيير المصباح.
8. تحذير: اقطع جميع توصيلات دائرة الإمداد قبل الوصول إلى المحطات الطرفية.
9. لا تستخدم أسلاكاً مقطوعة أو تالفة أو أسلاك تمديد غير الأسلاك الأصلية.
10. تأكد من عدم وجود أي سوائل أو رطوبة في المنفذ الذي تم تركيب قابس المنتج فيه.

11. كما يتم تسخين السطح الخلفي للفرن أيضًا عند تشغيل الفرن. يجب ألا تلمس الوصلات الكهربائية السطح الخلفي، وإلا فقد تتلف الوصلات.
12. لا تقم تربط كابلات التوصيل بباب الفرن ولا تمررها على الأسطح الساخنة. إذا ذاب السلك، فقد يتسبب هذا في حدوث ماس كهربائي في الفرن وحتى نشوب حريق.
13. افصل الوحدة في أثناء التثبيت والصيانة والتنظيف والإصلاح.
14. وفي حال تلف كابل مصدر الطاقة، يجب استبداله من قبل الشركة المصنعة له أو الخدمة الفنية المعتمدة أو أي فرد آخر مؤهل على المستوى نفسه، وذلك لتجنب أي موقف خطير.
15. تأكد من إدخال القابس بإحكام في مقبس الحائط لتجنب الشرر.
16. لا تستخدم منظفات البخار لتنظيف الجهاز، وإلا فقد تحدث صدمة كهربائية.
17. من الضروري وجود مفتاح متعدد الأقطاب قادر على فصل مصدر الطاقة للتثبيت. يجب أن يتم فصل مصدر الطاقة عن طريق مفتاح أو منصهر متكامل مثبت على مصدر طاقة ثابت وفقًا لقانون البناء.
18. تم تجهيز الجهاز بكابل سلكي من النوع "Y".
19. يجب توصيل الوصلات الثابتة بمصدر طاقة يسمح بفصل التيار الكهربائي بشكل شامل. بالنسبة إلى الأجهزة ذات فئة الجهد الزائد أقل من III، يجب توصيل جهاز الفصل بمصدر طاقة ثابت وفقًا لقانون توصيلات الأسلاك.

سلامة الغاز

1. هذا الجهاز غير متصل بجهاز إخراج المنتجات المحترقة. يجب توصيل هذا الجهاز وتثبيته وفقاً للوائح التثبيت السارية. يجب أن تؤخذ الظروف المتعلقة بالتهوية في الاعتبار.
2. عند استخدام جهاز الطهي بالغاز، يتم توليد الرطوبة والحرارة ومنتجات الاحتراق في الغرفة. أولاً، تأكد من تهوية المطبخ جيداً عند تشغيل الجهاز والحفاظ على فتحات التهوية الطبيعية أو تركيب معدات تهوية ميكانيكية.
3. بعد استخدام الجهاز بكثافة لفترة طويلة من الزمن، قد تكون هناك حاجة إلى تهوية إضافية. على سبيل المثال، افتح نافذة أو اضبط سرعة أعلى للتهوية الميكانيكية، إن وجدت.
4. يجب استخدام هذا الجهاز فقط في الأماكن ذات التهوية الجيدة وفقاً للوائح السارية. تُرجى قراءة الدليل قبل تثبيت هذا المنتج أو استخدامه.
5. قبل وضع الجهاز، تأكد من أن ظروف الشبكة المحلية (نوع الغاز وضغط الغاز) تُلبي متطلبات الجهاز.
6. يجب أن يتم تنفيذ كافة أنواع العمليات التي يجب إجراؤها على تركيبات الغاز بواسطة أشخاص مؤهلين ومؤهلين.
7. تم تعديل هذا الجهاز للعمل بالغاز الطبيعي (NG). إذا كان يتعين عليك استخدام المنتج الخاص بك مع نوع غاز مختلف، فيجب عليك التقدم بطلب إلى خدمة معتمدة للتحويل.
8. لضمان التشغيل السليم، يجب استبدال الغطاء وأنبوب الغاز والمشبك بشكل دوري وفقاً لتوصيات الشركة المصنعة وعندما يكون ذلك ضرورياً.

9. يجب أن يحترق الغاز جيداً في منتجات الغاز. يمكن فهم احتراق الغاز جيداً من خلال اللهب الأزرق والاحتراق المستمر. إذا لم يحترق الغاز بشكل كافٍ، فقد يتحلل أول أكسيد الكربون (CO). وأول أكسيد الكربون هو غاز عديم اللون والرائحة وسام للغاية، حتى الكميات الصغيرة منه لها تأثير مميت.

10. اسأل مصادر الغاز المحلية عن أرقام الهواتف الخاصة بحالات الطوارئ المتعلقة بالغاز والإجراءات التي يجب اتخاذها عند اكتشاف رائحة الغاز.

ماذا تفعل عند اكتشاف رائحة الغاز

1. لا تستخدم اللهب المكشوف، ولا تدخن.
2. لا تشغل أي مفتاح كهربائي.
- (على سبيل المثال: مفتاح المصباح أو جرس الباب)
3. لا تستخدم الهاتف أو الهاتف المحمول.
4. افتح الأبواب والنوافذ.
5. أغلق جميع الصمامات الموجودة على الأجهزة التي تستخدم الغاز وعدادات الغاز.
6. اتصل برجال الإطفاء من هاتف خارج المنزل.
7. افحص جميع الخراطيم وتوصيلاتها للتأكد من عدم وجود تسريبات. إذا كنت لا تزال تشم رائحة الغاز، غادر المنزل وحذر جيرانك.
8. لا تدخل المنزل حتى يتأكد المسؤولون من أنه آمن.

الاستخدام المقصود

1. تم تصميم هذا المنتج للاستخدام المنزلي. لا يسمح بالاستخدام التجاري.
2. لا يجوز استخدام هذا الجهاز إلا لأغراض الطهي. ولا يجوز استخدامه لأغراض أخرى مثل تدفئة الغرفة.
3. لا يجوز استخدام هذا الجهاز لتسخين الأطباق الموجودة أسفل الشواية، أو تجفيف الملابس أو المناشف عن طريق تعليقها على المقبض أو لأغراض التدفئة.
4. لا يتحمل المصنع أي مسؤولية عن أي ضرر ناتج عن سوء الاستخدام أو سوء التعامل.
5. يمكن استخدام جزء الفرن من الوحدة لإذابة الطعام وتحميصه وقلية وشوي الطعام.
6. تبلغ مدة التشغيل للمنتج الذي اشتريته 10 سنوات. هذه هي الفترة التي يتم خلالها توفير قطع الغيار اللازمة لتشغيل هذا المنتج كما هو محدد من قبل الشركة المصنعة.

الربط الكهربائي

يجب تركيب هذا الفرن وتوصيله إلى مكانه بشكل صحيح وفقاً لتعليمات الشركة المصنعة وبواسطة خدمة معتمدة.

يجب تركيب الجهاز داخل حاوية فرن توفر تهوية عالية.

يجب أن يتم إجراء التوصيلات الكهربائية للجهاز فقط من خلال المقابس المزودة بنظام أرضي وفقاً للقواعد. اتصل بفني كهربائي معتمد إذا لم يكن هناك مقبس يتوافق مع النظام المؤرض في المكان الذي سيتم وضع الجهاز فيه. لا تتحمل الشركة المصنعة بأي حال من الأحوال مسؤولية الأضرار الناتجة عن توصيل المقابس غير المؤرصة بالجهاز.

يجب أن يكون قابس الفرن مؤرضاً؛ تأكد من أن مقبس القابس مؤرض. يجب أن يكون القابس موجوداً في مكان يمكن الوصول إليه بعد التثبيت.

تم تصنيع الفرن الخاص بك بجهد 220-240 فولت 60/50 هرتز. متوافق مع مصدر الطاقة المتردد ويتطلب منصهرًا بقوة 16 أمبير. إذا كانت شبكة الطاقة لديك مختلفة عن هذه القيم المشار إليها، فاستشر كهربائياً أو الخدمة المعتمدة لديك.

عند الحاجة إلى استبدال المصهر الكهربائي، يرجى التأكد من إجراء التوصيل الكهربائي على النحو التالي:

- كابل بني للمرحلة (يوصل بالطرف المباشر)
- كابل أزرق يوصل بالطرف المحايد
- كابل أصفر-أخضر يوصل بالطرف الأرضي

يجب أن تكون مفاتيح فصل الفرن في مكان يمكن للمستخدم النهائي الوصول إليه في أثناء وجود الفرن في مكانه.

يجب ألا يلامس كابل مصدر الطاقة (كابل التوصيل) الأجزاء الساخنة من الجهاز.

في حال تلف سلك التزويد (كابل التوصيل)، يجب استبدال هذا السلك من قبل المستورد أو وكيل الخدمة الخاص به أو شخص مؤهل بالقدر نفسه لمنع حدوث موقف خطير.

توصيل الغاز

تحذير: قبل البدء بأي عمل يتعلق بتثبيت الغاز، أوقف تشغيل مصدر الغاز. خطر الانفجار.

تحذير: يجب ألا يمر خرطوم الغاز والتوصيلات الكهربائية للجهاز بجوار المناطق الساخنة مثل الجزء الخلفي من الجهاز. يجب توصيل خرطوم الغاز عن طريق عمل زوايا واسعة لتجنب احتمالية الكسر. قد يؤدي تحريك الجهاز المتصل بالغاز إلى حدوث تسرب للغاز.

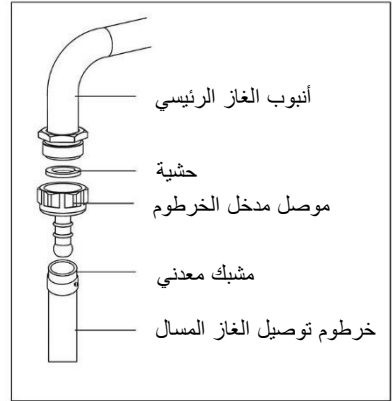
تحذير: عند التحكم في تسرب الغاز؛ لا تستخدم أبداً ولاعة أو عود ثقاب أو سيجارة مشتعلة أو أي مادة قابلة للاشتعال مماثلة.

وصل جهازك بفرن الغاز من أقصر طريق وبطريقة تمنع أي تسرب. ومن أجل السلامة، يجب أن يكون طول الخرطوم المستخدم 125 سم كحد أقصى و40 سم كحد أدنى.

ضع فقاعة الصابون على نقطة الاتصال. في حال وجود أي تسريب/تسرب، ستظهر رغوة على المنطقة الملوثة بالصابون.

لتوصيل الغاز المسال؛

لتوصيل أسطوانة غاز البترول المسال، قم بتركيب مشبك معدني على الخرطوم القادم من أسطوانة غاز البترول المسال. قم بتثبيت حافة الخرطوم على موصل مدخل الخرطوم خلف الجهاز عن طريق الضغط على الطرف من خلال تسخين الخرطوم في الماء المغلي. بعد ذلك، حرك المشبك نحو الجزء الطرفي من الخرطوم واحكم ربطه باستخدام مفك البراغي. يكون موصل الحشبية ومدخل الخرطوم المطلوب للتوصيل على النحو الموضح في الصورة أدناه.

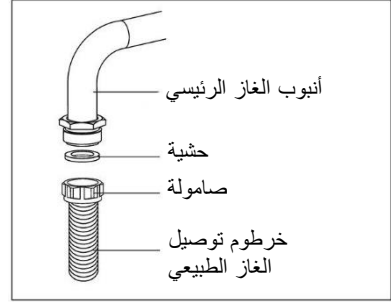


تحذير: يجب أن يكون المنظم الذي سيتم تثبيته على أسطوانة الغاز المسال مزوداً بـ 300 ملم من الفولاذ المقاوم للصدأ.

لتوصيل الغاز الطبيعي؛

تحذير: يجب أن يتم توصيل الغاز الطبيعي عن طريق خدمة معتمدة.

لتوصيل الغاز الطبيعي، ضع الحشية في الصامولة الموجودة على حافة خرطوم توصيل الغاز الطبيعي. لتثبيت الخرطوم على أنبوب الغاز الرئيسي، قم بتدوير الصامولة. أكمل التوصيل عن طريق فحص تسرب الغاز.



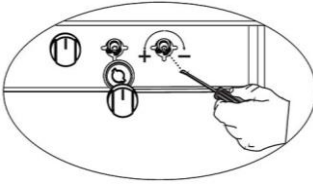
تهوية الغرفة

يتم استقبال الهواء اللازم للحرق من هواء الغرفة ويتم إعطاء الغازات المنبعثة مباشرة إلى الغرفة. من أجل التشغيل الآمن لمنتجك، فإن التهوية الجيدة للغرفة هي شرط أساسي. إذا لم تتوفر نافذة أو غرفة يمكن استخدامها لتهوية الغرفة، فيجب تركيب تهوية إضافية. ومع ذلك، إذا كانت الغرفة تحتوي على باب يفتح إلى الخارج، فلا حاجة لفتحات التهوية.

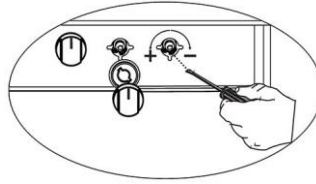
فتحة التهوية	حجم الغرفة
الحد الأدنى 100 سم ²	أصغر من 5 م ³
الحد الأدنى 50 سم ²	بين 5 م ³ - 10 م ³
ليست هناك حاجة	أكبر من 10 م ³
الحد الأدنى 65 سم ²	في الطابق السفلي أو القبو

ضبط معدل تدفق الغاز المنخفض لصنابير الموقد

1. قم بإشعال الموقد الذي تريد ضبطه ثم قم بتدوير المقبض إلى الوضع المنخفض.
 2. قم بإزالة المقبض من صنوبر الغاز.
 3. استخدم مفك براغي مناسب الحجم لضبط برغي ضبط معدل التدفق. بالنسبة إلى لوحة LPG (البيوتان-برو بان) قم بتدوير المسمار في اتجاه عقارب الساعة. بالنسبة إلى الغاز الطبيعي، يجب عليك تدوير المسمار عكس اتجاه عقارب الساعة مرة واحدة.
 4. "يجب أن يكون الطول الطبيعي للهب المستقيم في الوضع المنخفض 6-7 ملم". إذا كان اللهب أعلى من الموضع المطلوب، فقم بتدوير المسمار في اتجاه عقارب الساعة. إذا كان أصغر، فقم بتدويره عكس اتجاه عقارب الساعة.
 5. بالنسبة إلى الفحص النهائي، اضبط الموقد على وضعي اللهب العالي والمنخفض وتحقق ما إذا كان اللهب مضاءً أم مطفأً.
- اعتمادًا على نوع صنوبر الغاز المستخدم في جهازك، قد يختلف موضع برغي الضبط. لضبط الفرن الخاص بك وفقًا لنوع الغاز، قم بإجراء التعديل لتقليل اللهب بعناية عن طريق تدويره باستخدام مفك براغي صغير كما هو موضح أدناه على المسمار الموجود في منتصف صمامات الغاز بالإضافة إلى تغييرات الفوهة (الشكل 1 و 2)



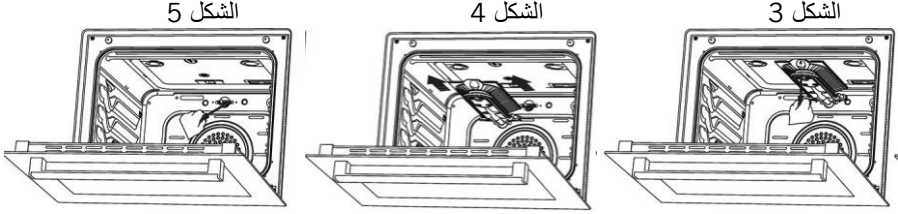
الشكل 2



الشكل 1

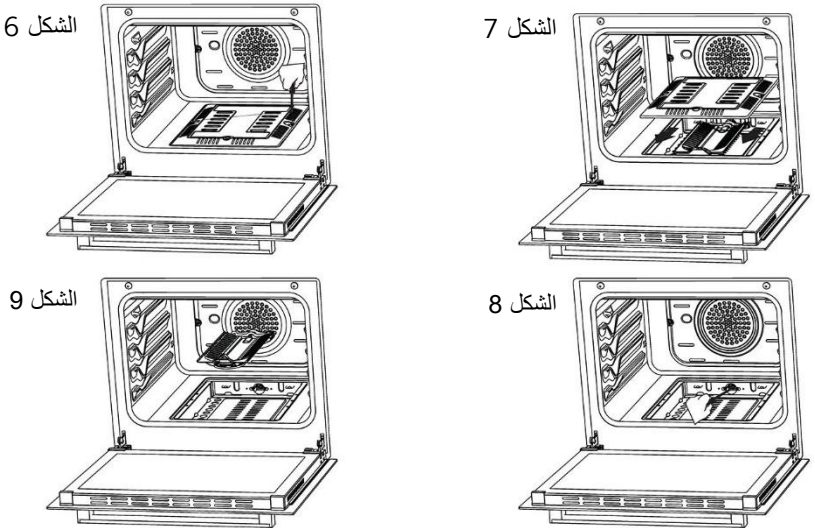
إزالة الموقد السفلي والعلوي وتركيب الحاقن لفرن الغاز إزالة الموقد العلوي:

بمساعدة مفك البراغي، قم بإزالة المسمار كما هو موضح في الشكل 3. كما هو موضح في الشكل 4، قم بإزالة الموقد من مكانه عن طريق سحبه نحوك. كما هو موضح في الشكل 5، قم بإزالة الحاقن الموجود في المحمل باستخدام مفتاح المقبس. لكي تتمكن من إعادة وضع الموقد، قم بتطبيق عملية الإزالة بطريقة عكسية.

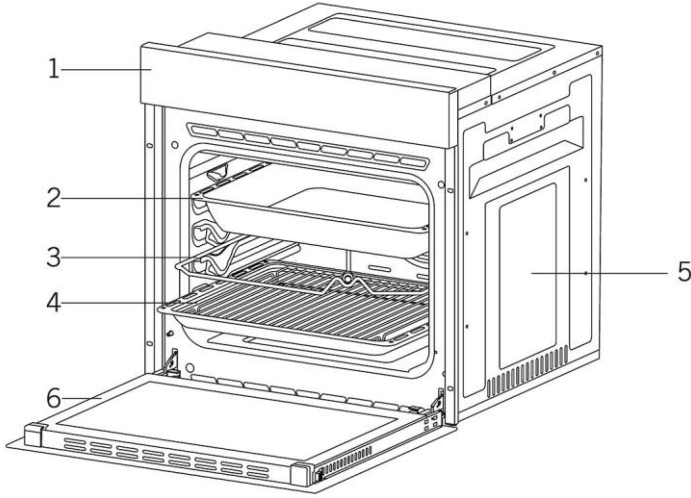


إزالة الموقد السفلي:

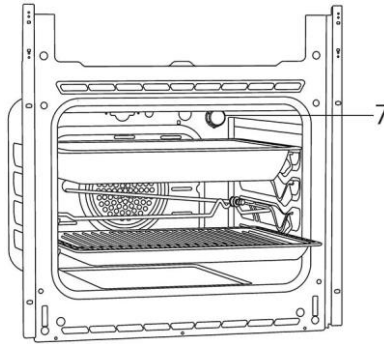
تم تثبيت باب الموقد السفلي بمسمارين. كما هو موضح في الشكل 6، قم بإزالته بمساعدة مفك البراغي. قم بإزالة الباب عن طريق سحبه إلى الأعلى كما هو موضح بالشكل 7. قم بإزالة الموقد من مكانه عن طريق سحبه نحوك كما هو موضح بالشكل 8. كما هو موضح في الشكل 9، قم بإزالة الحاقن الموجود في المحمل باستخدام مفتاح المقبس. لكي تقوم باستبدال الموقد، قم بتطبيق عملية الإزالة بطريقة عكسية.



تقديم الجهاز



1. لوحة التحكم
2. صينية عميقة *
3. سيخ دجاج مشوي *
4. شبكة الأسلاك
5. شبكات الأسلاك الجانبية
6. باب الفرن



7. المصباح

صينية عميقة *

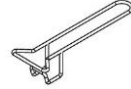
يستخدم في المعجنات، والمشويات الكبيرة، والأطعمة التي تحتوي على نسبة كبيرة من الماء. يمكن استخدامه أيضًا كحاوية لجمع الزيت.

**شبكة الأسلاك**

يستخدم لتحميص أو خبز الطعام في الرف المطلوب.

**مقبض الصينية ***

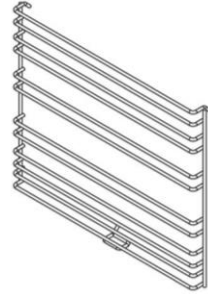
يتم استخدامه لحمل الصواني الساخنة.

**سيخ دجاج مشوي**

يُستخدم سيخ الدجاج المشوي بينما يكون الباب مغلقًا. يمكن تعديل درجة حرارة التسخين حسب الحاجة. من الأفضل طهي قطع متوسطة الحجم فقط على أسياخ الدجاج المشوي.

**شبيكات الأسلاك الجانبية**

توجد على جانبي تجويف الفرن، وتثبت شوايات معدنية أو عبة تنقيط.



ملاحظة: صواني وشبيكات الفرن غير مناسبة للتلامس المباشر مع الطعام. يرجى استخدام أدوات الطهو المناسبة أو ورق الخبز.

المواصفات الفنية

المواصفات	فرن مدمج 60 سم
قوة المصباح	25-15 واط
الترموستات	100-250 / الحد الأقصى لدرجة الحرارة
سخان الشواية	2000 واط
جهد الإمداد	240-220 فولت 60/50 هرتز

مواصفات الموقد	G20، 20 ملي بار		G20، 25 ملي بار		G30، 28-30 ملي بار		G30، 37 ملي بار		G30، 50 ملي بار	
	الغاز الطبيعي		الغاز الطبيعي		غاز مُسال		غاز مُسال		غاز مُسال	
موقد الشواية	الحاقن	1,00	مم	0,92	مم	0,70	مم	0,65	مم	0,60
	تدفق الغاز	0,190	م ³ /ساعة	0,190	م ³ /ساعة	145	ج/ساعة	145	ج/ساعة	145
	الطاقة	2,00	كيلوواط	2,00	كيلوواط	2,00	كيلوواط	2,00	كيلوواط	2,00
موقد الفرن	الحاقن	1,10	مم	1,00	مم	0,75	مم	0,70	مم	0,65
	تدفق الغاز	0,238	م ³ /ساعة	0,238	م ³ /ساعة	182	ج/ساعة	182	ج/ساعة	182
	الطاقة	2,50	كيلوواط	2,50	كيلوواط	2,50	كيلوواط	2,50	كيلوواط	2,50

تحذير: يتم تحديد قيم القطر المكتوبة على الحاقن من دون فاصلة. على سبيل المثال؛ يتم تحديد قطر 1,70 ملم على أنه 170 على الحاقن.

يمكن تغيير المواصفات الفنية دون إشعار مسبق لتحسين جودة المنتج. القيم المقدمة مع الجهاز أو المستندات المصاحبة له هي قراءات معملية وفقاً للمعايير ذات الصلة. قد تختلف هذه القيم حسب الاستخدام والظروف المحيطة. الأرقام الواردة في هذا الدليل هي أرقام تخطيطية وقد لا تتطابق تماماً مع منتجك.

تركيب الأجهزة

تأكد من أن التركيبات الكهربائية الكهربائية مناسبة لتشغيل الجهاز. إذا لم يكن الأمر كذلك، فاتصل بفني كهربائي وسباك لإجراء الترتيبات اللازمة. لا يمكن تحميل الشركة المصنعة المسؤولية عن الأضرار التي تنشأ بسبب العمليات التي يقوم بها أشخاص غير مصرح لهم، ويصبح ضمان المنتج لاغياً.

تحذير: يتحمل العميل مسؤولية تجهيز المكان الذي سيتم وضع المنتج فيه وتجهيز مرفق الطاقة أيضاً.

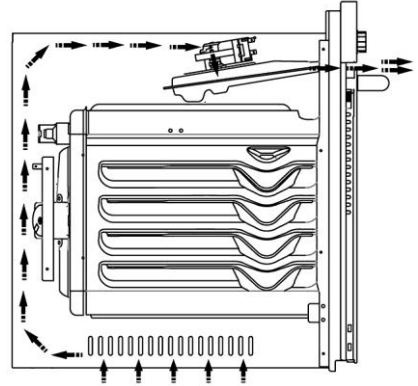
تحذير: يجب الالتزام بالقواعد المتعلقة بالمعايير الكهربائية المحلية في أثناء تركيب المنتج. **تحذير:** تأكد من عدم وجود أي ضرر في المنتج قبل تركيبه. لا تترك المنتج إذا كان تالفًا. المنتجات التالفة تشكل خطرًا على سلامتك.

تحذيرات مهمة للتركيب:

تعمل مروحة التبريد على إخراج البخار الزائد ومنع ارتفاع درجة حرارة الأسطح الخارجية للجهاز في أثناء تشغيل الفرن. وهذا شرط ضروري لتحسين عمل الأجهزة وتحسين عملية الطهي.

يجب أن تستمر مروحة التبريد في العمل بعد الانتهاء من الطهي. ستتوقف المروحة تلقائيًا بعد اكتمال التبريد.

يجب ترك مسافة خالية خلف العلبة التي ستضع فيها الجهاز لضمان تشغيله بكفاءة وجيد.



الشكل 10

لا ينبغي تجاهل هذه الخلوصات لأنها ضرورية لتشغيل نظام التهوية الخاص بالجهاز.

المكان المناسب للتركيب

تم تصميم المنتج ليتم تركيبه على أسطح العمل التي يتم شراؤها من السوق. يجب ترك مسافة أمنة بين المنتج وجدران المطبخ أو الأثاث. انظر الرسم المقدم في الصفحة التالية للمسافات المناسبة. (القيم باللملم).

- يجب أن تكون الأسطح المستخدمة والصفايح الاصطناعية والمواد اللاصقة مقاومة للحرارة (100 درجة مئوية على الأقل).
- يجب أن تكون خزائن المطبخ في مستوى المنتج ومؤمنة.
- إذا كان هناك درج أسفل الفرن، فيجب وضع رف بين الفرن والدرج.

تحذير: لا تركيب المنتج بجوار الثلاجات أو المبردات. تؤدي الحرارة المنبعثة من المنتج إلى زيادة استهلاك الطاقة لأجهزة التبريد.

تحذير: لا تستخدم الباب و/أو المقبض لحمل المنتج أو نقله.

تثبيت وتركيب فرن مدمج 60 سم

يجب تحديد مكان استخدام المنتج قبل البدء في التركيب.

لا يجب تركيب المنتج في الأماكن المعرضة لتدفق الهواء القوي.

يجب حمل المنتج مع شخصين على الأقل. لا تسحب المنتج حتى لا تتضرر الأرضية.

أزل جميع مواد النقل الموجودة داخل المنتج وخارجه. أزل جميع المواد والمستندات الموجودة في المنتج.

التركيب تحت المنضدة

يجب أن تتوافق الكابينة مع الأبعاد الموضحة في الشكل 11. يجب توفير مسافة في الجزء الخلفي من المقصورة كما هو موضح في الشكل حتى يمكن تحقيق التهوية اللازمة.

بعد التركيب، تتم الإشارة إلى الخلو بين الجزء السفلي والجزء العلوي من المنضدة في الشكل 14 بالرمز "A". إنه لغرض التهوية ولا تنبغي تغطيته.

التركيب في كابينة مرتفعة

يجب أن تتوافق الكابينة مع الأبعاد الموضحة في الشكل 13. يجب توفير الخلو ذات الأبعاد الموضحة في الشكل في الجزء الخلفي من المقصورة، الأقسام العلوية والسفلية بحيث يمكن تحقيق التهوية اللازمة.

متطلبات التركيب

أبعاد المنتج موضحة في الشكل 12. يجب أن تتمتع أسطح الأثاث المستخدمة في التركيب ومواد التركيب بمقاومة لدرجة الحرارة لا تقل عن 100 درجة مئوية.

يجب تأمين كابينة التركيب ويجب أن تكون أرضيتها مستوية حتى لا ينقلب المنتج. يجب أن تتمتع أرضية الكابينة بقوة لا تقل عن القدرة على تحمل حمولة تصل إلى 60 كجم.

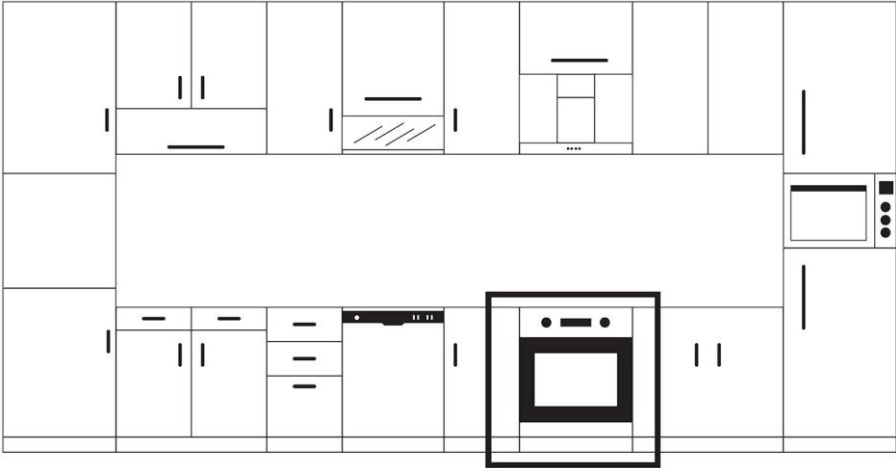
وضع الفرن وتأمينه

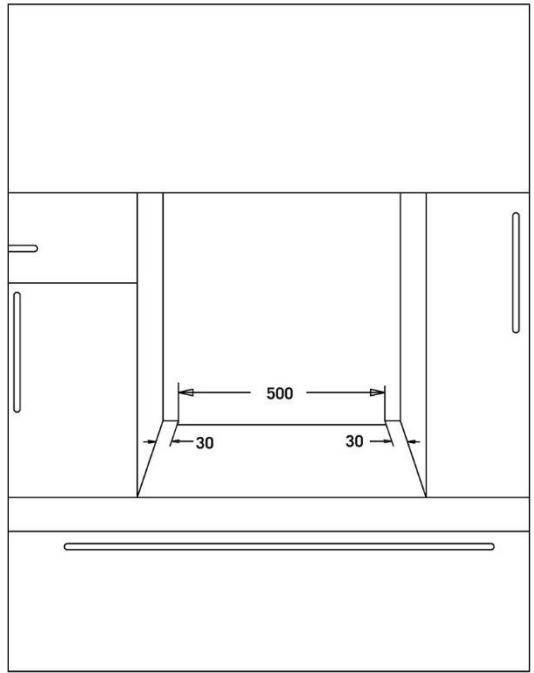
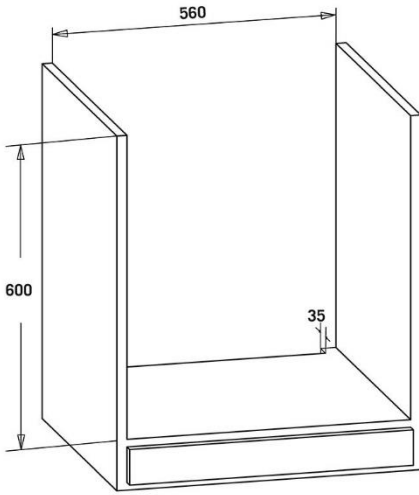
ضع الفرن داخل الكابينة بمساعدة شخصين أو أكثر.
تأكد من أن إطار الفرن والحافة الأمامية للأثاث يتطابقان بشكل متساوٍ.
يجب ألا يكون سلك الطاقة أسفل الفرن، أو محشورًا بين الفرن والأثاث أو ينحني.
ثبت الفرن على الأثاث باستخدام البراغي المرفقة مع المنتج. يجب تثبيت البراغي كما هو موضح في الشكل 14 عن طريق تمريرها عبر القطع البلاستيكية المثبتة على إطار المنتج. لا ينبغي إحكام ربط البراغي بشكل مفرط. وإلا، فقد تتآكل مقابس البراغي.
تأكد من عدم تحرك الفرن بعد التركيب. إذا لم يتم تركيب الفرن وفقًا للتعليمات، فثمة خطر الانقلاب في أثناء التشغيل.

الربط الكهربائي

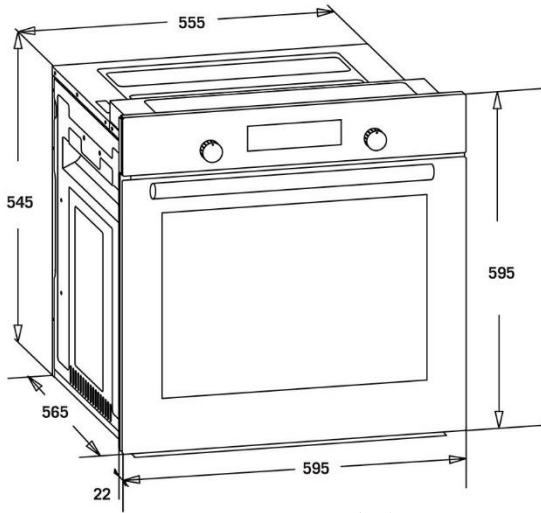
يجب أن يكون مكان تركيب المنتج مزودًا بالتركيبات الكهربائية المناسبة.
ويجب أن يكون جهد الشبكة متوافقًا مع القيم الموضحة على ملصق نوع المنتج.
يجب أن يتم توصيل المنتج وفقًا للمتطلبات الكهربائية المحلية والوطنية.
قبل البدء بالتركيب، افصل الطاقة عن الشبكة. لا توصل المنتج بالشبكة حتى اكتمال عملية التركيب.

التركيب

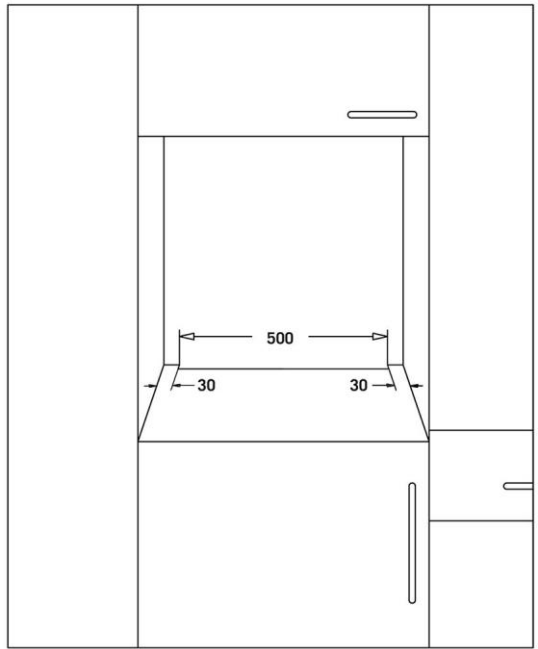
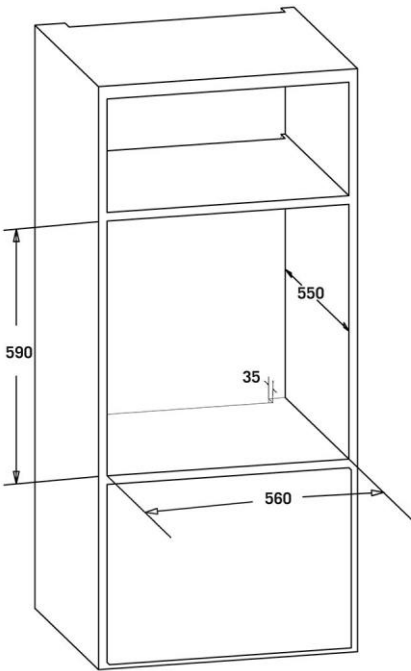
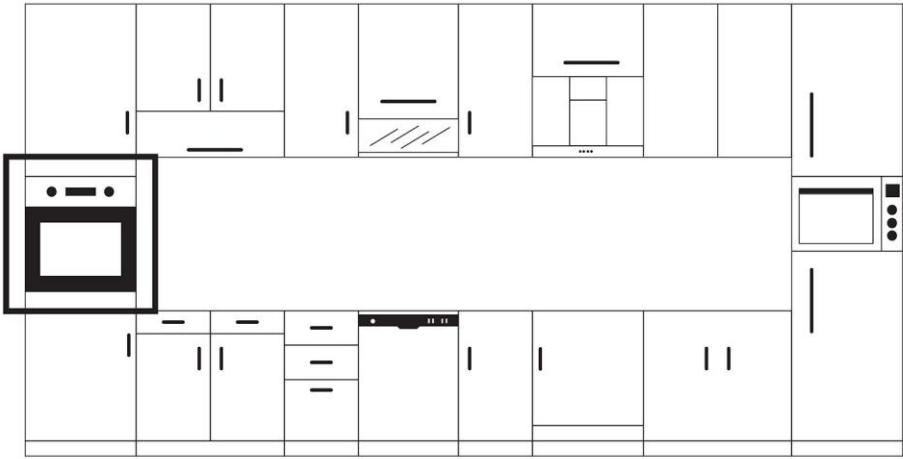




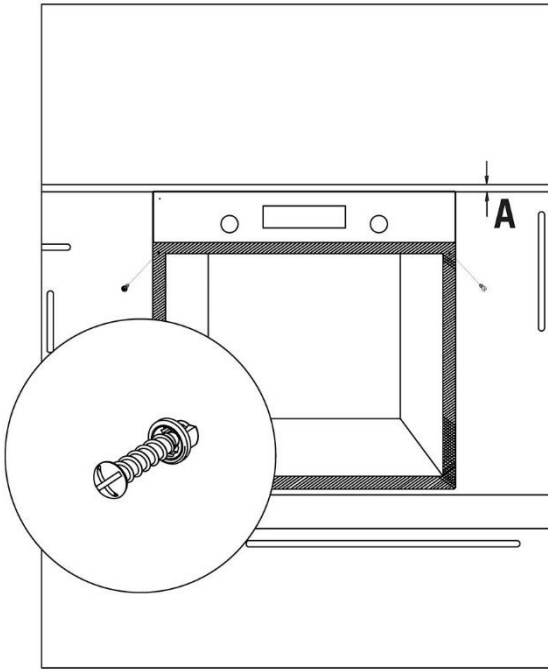
الشكل 11



الشكل 12



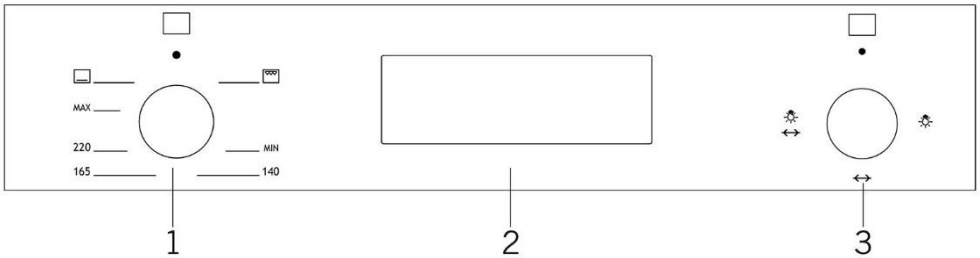
الشكل 13



الشكل 14

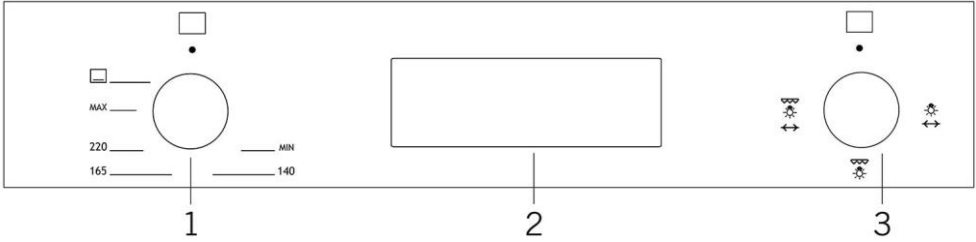
لوحة التحكم

صورة لوحة التحكم لفرن الغاز المدمج



1. زر التحكم في الفرن
2. مؤقت ميكانيكي أو رقمي
3. زر Function

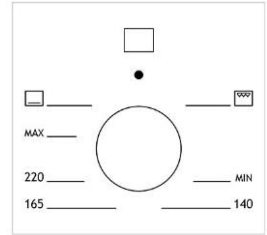
صورة لوحة التحكم في الفرن المدمج



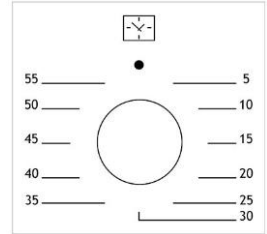
1. زر التحكم في الفرن
2. مؤقت ميكانيكي أو رقمي
3. زر Function

تحذير: لوحة التحكم أعلاه هي لأغراض توضيحية فقط. ضع في الحسبان لوحة التحكم الموجودة على جهازك.

زر التحكم في الفرن: يوفر التحكم في شعلات فرن الغاز (لموقد الفرن الحراري والموقد العلوي). يمكنك أيضًا استخدام وظيفة الإشعال الموجودة أسفل المقبض لإشعال شعلات الغاز.



زر المؤقت الميكانيكي*: يساعد في ضبط الوقت لطهي الطعام في الفرن. انظر جدول الطهي لمعرفة أوقات الطهي.



استخدام الفرن

الاستخدام الأولي للفرن

في ما يلي الأشياء التي يجب عليك القيام بها عند الاستخدام الأول للفرن بعد إجراء توصيلاته اللازمة وفقاً للتعليمات:

1. أزل المصقات أو الملحقات المرفقة داخل الفرن. أزل الغطاء الواقي الموجود على الجانب الأمامي للجهاز، إن وجد.
2. أزل الغبار وبقايا العبوة عن طريق مسح الجزء الداخلي من الفرن بقطعة قماش مبللة. يجب أن يكون الجزء الداخلي من الفرن فارغاً. قم بتوصيل كابل الجهاز بالمقبس الكهربائي.
3. اضبط زر منظم الحرارة على أعلى درجة حرارة (250 درجة مئوية كحد أقصى) ثم قم بتشغيل الفرن لمدة 30 دقيقة مع إغلاق بابه. وفي هذه الأثناء، قد يحدث دخان ورائحة خفيفة وهذا أمر طبيعي.
4. امسح داخل الفرن بقليل من الماء الدافئ مع المنظف بعد أن يبرد ثم جففه بقطعة قماش نظيفة. الآن يمكنك استخدام الفرن الخاص بك.

الاستخدام العادي للفرن

1. لا يمكن استخدام الموقد العلوي (الشواية) والسفلي لفرن الغاز هذا إلا مرة واحدة في الوقت نفسه. عندما تريد استخدام الموقد الذي اخترته، اضغط أولاً على مقبض الصنبور وانتظر 5 ثوانٍ لإخراج الهواء من الأنابيب. ومن ثم يمكنك إشعال الموقد بنظام الإشعال التلقائي (اختياري) أو المطابقة.
2. بمجرد إشعال الموقد، يجب عليك الاستمرار في الضغط على المقبض لمدة تتراوح بين 10 و15 ثانية حتى يعمل نظام مراقبة اللهب.
3. عندما يتم إشعال الموقد وتثبيتته بالكامل بعد دقيقة أو دقيقتين، يمكنك إغلاق باب الفرن.
4. يمكنك ضبط وقت الطهي لأي وقت تريده باستخدام الزر الموجود في الموديلات ذات المؤقت الميكانيكي. سيقوم المؤقت بإيقاف تشغيل السخانات عند انتهاء الوقت وتوفير صوت تنبيهي.
5. يقوم المؤقت بإيقاف تشغيل السخانات وتوفير إشارة صوتية عند انتهاء وقت الطهي بما يتماشى مع المعلومات المدخلة في الموديلات ذات المؤقت الرقمي.
6. سيستمر نظام التبريد الخاص بالجهاز في العمل بعد انتهاء الطهي. لا تفصل الطاقة عن الجهاز في هذه الحالة حيث إن ذلك ضروري لتبريد الجهاز. سيتم إيقاف تشغيل النظام بعد اكتمال التبريد.

استخدام الشواية

1. عند وضع الشواية على الرف العلوي، يجب ألا تلمس الأطعمة الموجودة على الشواية.
 2. يمكنك تسخينها لمدة 5 دقائق في أثناء الشواء. إذا لزم الأمر، فيمكنك قلب الطعام رأسًا على عقب.
 3. يجب وضع الطعام في وسط الشواية لتوفير أقصى قدر من تدفق الهواء عبر الفرن.
- لتشغيل الشواية؛**

1. اضغط زر الوظيفة فوق رمز الشواية.
2. ثم اضغطه على درجة حرارة الشواء المطلوبة.

لإيقاف تشغيل الشواية؛

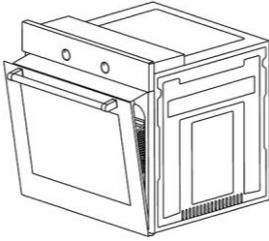
اضبط زر الوظيفة على وضع الإيقاف.

تحذير: احرص على إبقاء باب الفرن مغلقًا في أثناء الشواء. (الشواية الكهربائية)

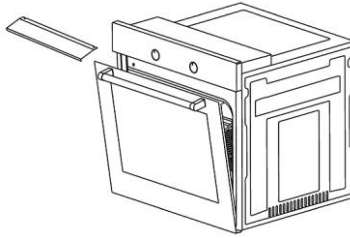
تحذير: احرص على إبقاء باب الفرن مفتوحًا في أثناء الشواء. (شواية الغاز)

استخدام ورقة عاكس الشواية *

1. ضع واقي الحرارة أسفل لوحة التحكم عن طريق فتح باب الفرن الأمامي. (الشكل 16)
2. قم بوضع علامتي التنبيه على واقي الحرارة في الفتحتين الموجودتين أسفل لوحة التحكم، ثم قم بتأمينهما في مكانهما بين الفرن والباب الداخلي عن طريق إغلاق الباب برفق. (الشكل 17)
3. من المهم إبقاء الباب مفتوحًا على مسافة محددة عند الشواء.
4. سيوفر واقي الحرارة أداءً مثاليًا للطهي مع حماية لوحة التحكم والمقابض.



الشكل 17



الشكل 16

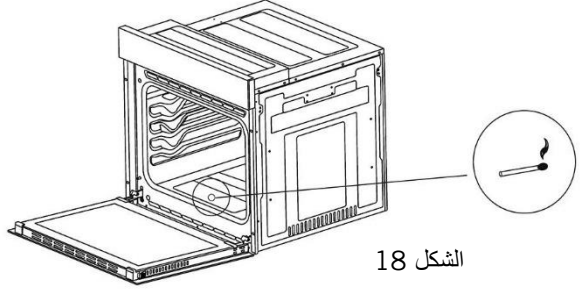


الشكل 15

إشعال الفرن يدويًا

في حال انقطاع التيار الكهربائي، يمكن إشعال موقد الفرن يدويًا:

1. افتح باب الفرن.
2. أمسك عود الثقاب أو الولاعة بالقرب من فتحة الموقد كما هو موضح في الشكل.
3. بمجرد إشعال الموقد، أغلق باب الفرن.



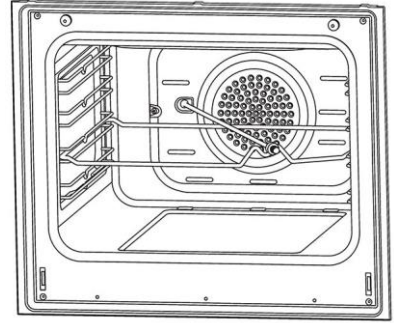
الشكل 18

ملاحظة: إذا انطفأت شعلة الفرن عن طريق الخطأ، فأدر مقبض التحكم في الفرن إلى وضع الإيقاف، وافتح باب الفرن، وقم بتهوية المطبخ وانتظر لمدة دقيقة على الأقل قبل محاولة إشعال الشعل مرة أخرى.

تنبيه: يتوفر مفتاح التشغيل التلقائي في الفرن. استخدم هذه الميزة عند انقطاع الطاقة.

استخدام وظيفة شوي الدجاج *

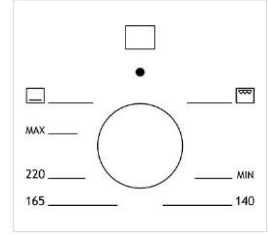
ضع السيخ على الإطار. أدخل إطار السيخ الدوار في الفرن على المستوى المطلوب. ضع صينية تنقيط في الأسفل لجمع الدهون. أضف القليل من الماء إلى صينية التنقيط لسهولة التنظيف. لا تنس إزالة الجزء البلاستيكي من السيخ بعد الشواء، ثبّت المقبض البلاستيكي في السيخ وأخرج الطعام من الفرن.



الشكل 19

أنواع البرامج

زر البرنامج: يساعد في تحديد عناصر التسخين التي سيتم استخدامها لطهي الطعام الموضوع في الفرن. يرد أدناه ذكر لأنواع برامج السخان الموجودة في هذا الزر ووظائفها. قد لا يحتوي كل طراز على جميع أنواع السخانات، ومن ثمَّ قد لا يدعم جميع البرامج المرتبطة بها.



في ما يلي أنواع برامج التسخين المتوفرة في جهازك مع شروحات مهمة، لمساعدتك في طهي أطعمة متنوعة تناسب ذوقك.

موقد الشواية		موقد الفرن	
المصباح		الدجاج المشوي *	
مروحة توربو *		المؤقت	

موقد الفرن: يمكنك إعادة تسخين أو تحمير الوجبات باستخدام التسخين السفلي، وهو الأنسب أيضاً لتسخين الأطعمة المحفوظة في البرطمانات.

موقد الشواية: تستخدم هذه الوظيفة للشواء. ضع الطعام على شبكة الأسلاك ثم ضع شبكة الأسلاك في الرف العلوي للفرن. بعد ذلك، ضع صينية الفرن العميقة تحت شبكة الأسلاك.

توصيات الطهي

يمكنك العثور في الجدول التالي على معلومات أنواع الأطعمة التي قمنا باختبارها وتحديد قيم الطهي الخاصة بها في مختبراتنا. يمكن أن تختلف أوقات الطهي حسب جهد الشبكة، ونوعية المواد التي يجب طهيها، والكمية ودرجة الحرارة. قد لا تروق لك الأطباق التي يمكنك طهيها باستخدام هذه القيم. بإمكانك تعيين قيم مختلفة للحصول على أذواق ونتائج مختلفة تناسب ذوقك عن طريق إجراء الاختبارات.

تحذير: يجب تسخين الفرن لمدة 7-10 دقائق قبل وضع الطعام فيه.

طاولة الطهي

وقت الطهي (دقيقة)	رف الطهي	درجة حرارة الطهي (درجة مئوية)	وظيفة الطهي	الطعام
45-35	3	180-170	الفرن	الكعك
30-25	3	180-170	الفرن	كعكة صغيرة
45-35	3	200-180	الفرن	القطائر
25-20	3	190-180	الفرن	المعجنات
25-20	3	180-170	الفرن	البسكويت
70-50	3	190-180	الفرن	فطيرة التفاح
25-20	3	*150/200	الفرن	الكعكة الإسفنجية
30-20	3	200-180	الفرن	بيتزا
40-25	3	200-180	الفرن	اللازانيا
50	3	100	الفرن	كعكة الميرانغ
35-25	3	220-200	الشواية	دجاج مشوي **
35-25	3	220-200	الشواية	سمك مشوي **
20-15	4	الحد الأقصى	الشواية	شريحة لحم العجل **
25-20	4	الحد الأقصى	الشواية	كرات اللحم المشوية **

*لا تقم بالتسخين المسبق. يوصى بنصف وقت الطهي الأول عند 200 درجة مئوية والنصف الآخر عند 150 درجة مئوية.

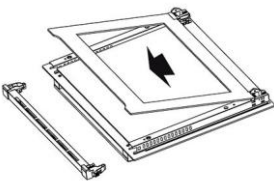
** يجب أن يتم تقليب الطعام بعد نصف وقت الطهي.

أعمال الصيانة والتنظيف

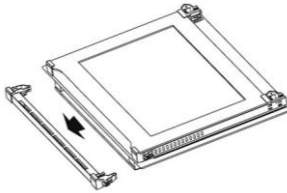
1. أزل قابس الطاقة من المقبس الكهربائي.
2. لا تنظف الأجزاء الداخلية أو اللوحة أو الصواني أو الأجزاء الأخرى من المنتج باستخدام أدوات صلبة مثل فرشاة الشعر الخشن أو الصوف السلكي أو السكين. لا تستخدم مواد كاشطة أو خادشة أو منظفات.
3. اشطف بعد مسح الأجزاء الداخلية للمنتج بقطعة قماش مبللة بالصابون، ثم جفف جيدًا بقطعة قماش ناعمة.
4. نظيف الأسطح الزجاجية باستخدام مواد تنظيف الزجاج المخصصة.
5. لا تنظف المنتج باستخدام منظفات البخار.
6. لا تستخدم أبدًا مواد قابلة للاشتعال مثل الأحماض والمذيبات والغازات أثناء تنظيف منتجك.
7. لا تغسل أي جزء من المنتج في غسالة الأطباق.
8. استخدم سترات البوتاسيوم (صابون لطيف) لإزالة الأوساخ والبقع.

تنظيف زجاج الفرن

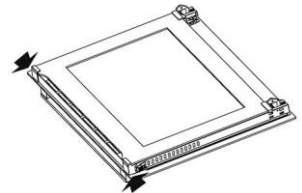
ارفع عن طريق الضغط على مزيج البلاستيك على الجانب الأيسر والأيمن كما هو موضح في الشكل 20 وسحب الملف الشخصي نحوك كما هو موضح في الشكل 21. يتم تحرير الزجاج بعد إزالة الملف الشخصي كما هو موضح في الشكل 22. قم بإزالة الزجاج المحرر عن طريق سحبه نحوك بعناية. يتم تثبيت الزجاج الخارجي على ملف باب الفرن. يمكنك تنظيف الزجاج بسهولة بعد إخراج الزجاج. يمكنك إعادة تركيب النظارات عن طريق تنفيذ العمليات بشكل عكسي بعد الانتهاء من التنظيف والصيانة. تأكد من تثبيت الملف الشخصي في مكانه الصحيح.



الشكل 22

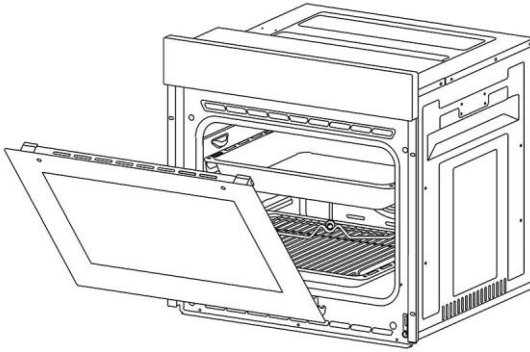


الشكل 21

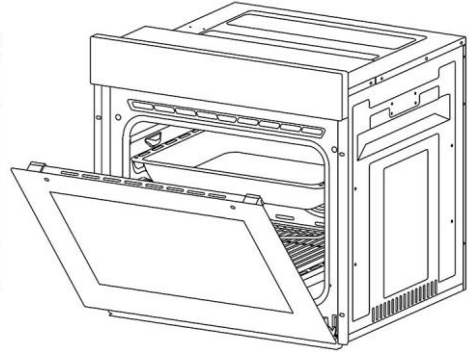


الشكل 20

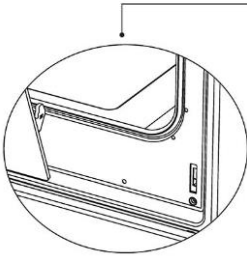
تنظيف وتركيب باب الفرن



الشكل 24

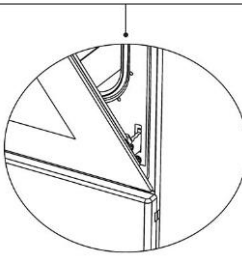


الشكل 23



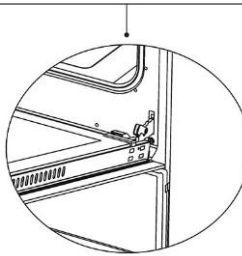
الشكل 24.2

لإزالة باب الفرن على نحو أسهل، عندما يقترب من وضع الإغلاق، أمسك الغطاء بكتنا اليدين كما هو موضح في الشكل 24.2 واسحبه لأعلى.



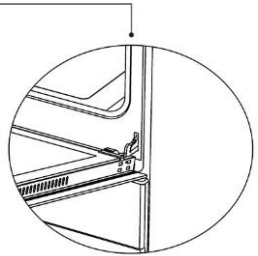
الشكل 24.1

بعد ذلك، أغلق باب الفرن المفتوح بحيث يكون في وضع يسمح له بالاتصال بقلب المفصلة كما هو موضح في الشكل 24.1.



الشكل 23.2

اضبط قفل المفصلة على أوسع زاوية كما هو موضح في الشكل 23.2. اضبط المفصلتين اللتين تربطان باب الفرن بالفرن إلى نفس الوضع.



الشكل 23.1

افتح الباب بالكامل عن طريق سحب باب الفرن نحوك. ثم قم بإجراء عملية الفتح عن طريق سحب قفل المفصلة إلى الأعلى بمساعدة مفك البراغي كما هو موضح في الشكل 23.1.

نفذ ما قمت به في أثناء فتح الباب لإعادة تركيب باب الفرن مرة أخرى.

الجدران التحفيزية *

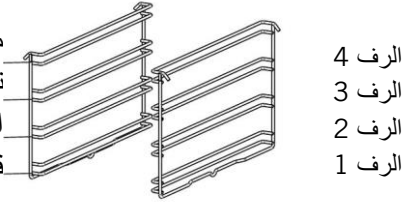
تتواجد الجدران التحفيزية على الجانب الأيسر والأيمن من التجويف أسفل الأدلة. الجدران التحفيزية تقضي على الروائح الكريهة وتحصل على أفضل أداء من الطباخ. كما تعمل الجدران التحفيزية كذلك على امتصاص بقايا الزيت وتنظيف الفرن في أثناء تشغيله.

إزالة الجدران التحفيزية

بغية إزالة الجدران التحفيزية؛ يجب سحب الأدلة للخارج. بمجرد سحب الأدلة، سيتم تحرير الجدران التحفيزية تلقائياً. يجب تغيير الجدران التحفيزية بعد 2-3 سنوات.

مواقع الرفوف

من المهم وضع الشواية السلكية داخل الفرن بشكل صحيح. لا تسمح للرف السلكي بلمس الجدار الخلفي للفرن. تظهر مواقع الرفوف في الشكل التالي. يمكنك وضع صينية عميقة أو صينية قياسية في الرفوف السلكية السفلية والعلوية.



تركيب وإزالة الرفوف السلكية

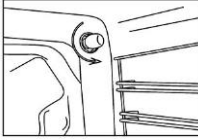
لإزالة الرفوف السلكية، اضغط على المشابك الموضحة بالسهم في الشكل، ثم قم أولاً بإزالة الجانب السفلي، ثم الجانب العلوي من موقع التثبيت. لتثبيت الرفوف السلكية؛ اعكس الإجراء الخاص بإزالة رف الأسلاك.

استبدال مصباح الفرن

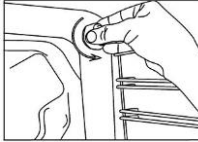
تحذير: لتجنب الصدمات الكهربائية، تأكد من أن دائرة الجهاز مفتوحة قبل تغيير المصباح. (إن فتح الدائرة يعني انقطاع الطاقة) افصل طاقة الجهاز أولاً وتأكد من أن الجهاز بارد. قم بإزالة الحماية الزجاجية عن طريق الدوران كما هو موضح بالشكل الموجود على الجانب الأيسر. إذا كنت تواجه صعوبة في الدوران، فإن استخدام القفازات البلاستيكية سوف يساعدك في الدوران. ثم قم بإزالة المصباح عن طريق الدوران، و قم بتركيب المصباح الجديد بالمواصفات نفسها. أعد تركيب حماية الزجاج، ثم قم بتوصيل كابل الطاقة الخاص بالجهاز بالمقبس الكهربائي وأكمل عملية الاستبدال. الآن يمكنك استخدام الفرن الخاص بك.

مصباح من النوع E14

220-240 فولت،
تيار متردد 15 واط

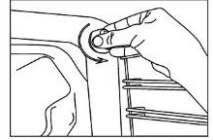


الشكل 26

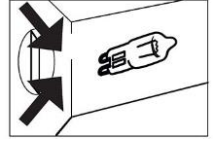


مصباح من النوع G9

220-240 فولت، تيار
متردد 15-25 واط



الشكل 25



تحذير: يحتوي هذا المنتج على مصدر إضاءة مع التوفير في الطاقة من الفئة G.

استكشاف الأعطال وإصلاحها

يمكنك حل المشاكل التي قد تواجهها مع منتجك عن طريق التحقق من النقاط التالية قبل الاتصال بالخدمة الفنية.

نقاط الفحص

في حال مواجهة أي مشكلة مع الفرن، قم أولاً بمراجعة الجدول أدناه وجرب الاقتراحات.

المشكلة	السبب المحتمل	ما الذي يتعين فعله
الفرن لا يعمل.	مصدر الطاقة غير متوفر.	التحقق من مصدر الطاقة.
	إمدادات الغاز غير متوفرة.	تأكد من أن صمام الغاز الرئيسي مفتوح.
		تأكد من أن أنبوب الغاز منحنى أو ملتوي.
		تأكد من توصيل خرطوم الغاز بالفرن.
		تأكد من استخدام صمام الغاز المناسب.
يتوقف الفرن في أثناء الطهي.	يخرج القابض من مقبض الحائط.	أعد تركيب القابض في مقبض الحائط.
يتم إيقاف تشغيله في أثناء الطهي.	تشغيل مستمر لفترة طويلة جدًا.	اترك الفرن ليبرد بعد دورات الطهي الطويلة.
	أكثر من قابض في مقبض الحائط.	استخدم قابضًا واحدًا فقط لكل مقبض حائط.
باب الفرن لا يفتح بشكل صحيح.	بقايا الطعام متراكمة بين الباب والتجويف الداخلي.	نظف الفرن جيدًا وحاول إعادة فتح الباب.
صدمة كهربائية عند لمس الفرن.	لا يوجد تأريض مناسب.	تأكد من أن مصدر الطاقة مؤرض بشكل صحيح.
	يتم استخدام مقبض حائط غير مؤرض.	

المشكلة	السبب المحتمل	ما الذي يتعين فعله
الماء يتساقط.	قد يتولد الماء أو البخار في ظل ظروف معينة اعتماداً على الطعام الذي يتم طهيهِ. هذا ليس خطأ في الجهاز.	اترك الفرن يبرد ثم جففه بقطعة قماش.
البخار يخرج من شق في باب الفرن.		
الماء المتبقي داخل الفرن.		
الفرن لا يقوم بالتسخين.	باب الفرن مفتوح.	أغلق الباب وأعد التشغيل.
	لم يتم ضبط عناصر التحكم في الفرن بشكل صحيح.	اقرأ القسم الخاص بتشغيل الفرن وأعد ضبط الفرن.
	تم إيقاف تشغيل المصهر أو قاطع الدائرة.	استبدل المصهر أو إعادة ضبط قاطع الدائرة. إذا تكرر هذا الأمر بشكل متكرر، فاتصل بفني كهربائي.
خروج الدخان في أثناء التشغيل.	عند تشغيل الفرن لأول مرة	يخرج الدخان من السخانات. هذا ليس خطأ. بعد 2-3 دورات، لن يكون هناك المزيد من الدخان.
	طعام على السخان.	اترك الفرن حتى يبرد ثم نظف بقايا الطعام من السخان.
عند تشغيل الفرن قد تبتعث رائحة محترقة أو بلاستيكية.	يتم استخدام البلاستيك أو غيرها من الملحقات غير المقاومة للحرارة داخل الفرن.	في درجات الحرارة المرتفعة، استخدم ملحقات الزجاج المناسبة.
الفرن لا يهوى جيداً.	يتم فتح باب الفرن بشكل متكرر في أثناء الطهي.	لا تفتح باب الفرن بشكل متكرر، إذا كان الطعام الذي تقوم بطهيهِ لا يحتاج إلى التقليل. إذا فتحت الباب بشكل متكرر، فستنخفض درجة الحرارة الداخلية ومن ثم تتأثر نتيجة الطهي.
الضوء الداخلي خافت أو لا يعمل.	جسم غريب يغطي المصباح في أثناء الطهي.	نظف السطح الداخلي للفرن ثم افحصه مرة أخرى.
	ربما يكون المصباح معطلاً.	استبدله بمصباح بالموصفات نفسها.

قواعد التعامل

1. لا تستخدم الباب و/أو المقبض لحمل الجهاز أو نقله.
2. قم بإجراء الحركة والنقل في العبوة الأصلية.
3. انتبه جيدًا للجهاز في أثناء التحميل/التفريغ والتعامل معه.
4. تأكد من أن العبوة مغلقة بشكل آمن في أثناء التعامل والنقل.
5. وفر الحماية من العوامل الخارجية (مثل الرطوبة والماء وما إلى ذلك) التي قد تؤدي إلى تلف العبوة.
6. احرص على عدم إتلاف الجهاز بسبب الصدمات أو الاصطدامات أو السقوط وما إلى ذلك في أثناء التعامل معه ونقله وعدم كسره أو تشويبه أثناء التشغيل.

توصيات لتوفير الطاقة

- ستساعدك التفاصيل التالية على استخدام منتجك بطريقة صديقة للبيئة واقتصادية.
1. استخدم أوعية داكنة اللون أو مطلية بالميना لأنها توصل الحرارة بشكل أفضل داخل الفرن.
 2. في أثناء طهي طعامك، إذا كانت الوصفة أو دليل المستخدم يشير إلى ضرورة التسخين المسبق، قم بتسخين الفرن مسبقًا.
 3. لا تفتح باب الفرن بشكل متكرر في أثناء الطهي.
 4. حاول عدم طهي عدة أطباق في الوقت نفسه في الفرن. يمكنك الطهي في الوقت نفسه بوضع جهازَي طهي على الرف السلكي.
 5. قم بطهي أطباق متعددة على التوالي. لن يفقد الفرن الحرارة.
 6. أطفئ الفرن قبل دقائق قليلة من انتهاء مدة الطهي. وفي هذه الحالة، لا تفتح باب الفرن.
 7. قم بتذويب الأطعمة المجمدة قبل الطهي.

التخلص من النفايات بطريقة صديقة للبيئة

تخلص من مواد التغليف بطريقة صديقة للبيئة.
جرى تصنيف هذا الجهاز وفقًا للتوجيه الأوروبي EU/19/2012 بشأن الأجهزة الكهربائية والإلكترونية المستعملة (نفايات المعدات الكهربائية والإلكترونية - WEEE). تحدد المبادئ التوجيهية الإطار الخاص بإرجاع وإعادة تدوير الأجهزة المستعملة على النحو المتبع في جميع أنحاء الاتحاد الأوروبي.



معلومات الحزمة

يتم تصنيع مواد التعبئة والتغليف للمنتج من مواد قابلة لإعادة التدوير وفقًا للوائح البيئية الوطنية لدينا. لا تتخلص من مواد التغليف مع النفايات المنزلية أو غيرها. انقلها إلى نقاط تجميع مواد التغليف المخصصة من جانب السلطات المحلية.