



atlanticfurniture.com

# MADISON HEADBOARD

ATLANTIC

## ASSEMBLY INSTRUCTIONS

Before assembling your headboard, please read through these instructions carefully and familiarize yourself with the different parts.

**ATTENTION!** If you receive a damaged or defective item, please contact Atlantic Furniture at [customerservice@atlanticfurniture.com](mailto:customerservice@atlanticfurniture.com) or 1-800-955-3726



### PARTS LIST

- 1 HEADBOARD PANEL 1 PC
- 2 LEFT LEG 1 PC
- 3 RIGHT LEG 1 PC
- 4 PILLOW STOP 1 PC
- 5 PACKING STICK 2 PCS

Instructions apply for bed sizes  
**QUEEN > KING**

### HARDWARE

- A JCB M6 X 120mm (4 3/4") - 4 pcs  
Spare - 1 pc
- B Barrel nut - 4 pcs  
Spare - 1 pc
- F Allen wrench - 1pc  
Spare - 1pc

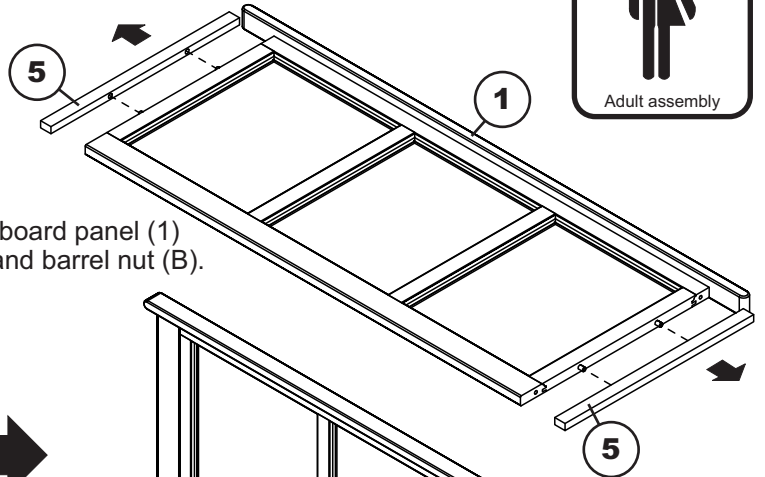
#### HARDWARE FOR METAL BED FRAME

- C JCB M6 X 25mm (1") - 4 pcs  
Spare - 1 pc
- D Flat washer - 4 pcs  
Spare - 1 pc
- E Split washer - 4 pcs  
Spare - 1 pc

NOTE: WE INCLUDE SPARE HARDWARE IN CASE DAMAGE OCCURS DURING ASSEMBLY.

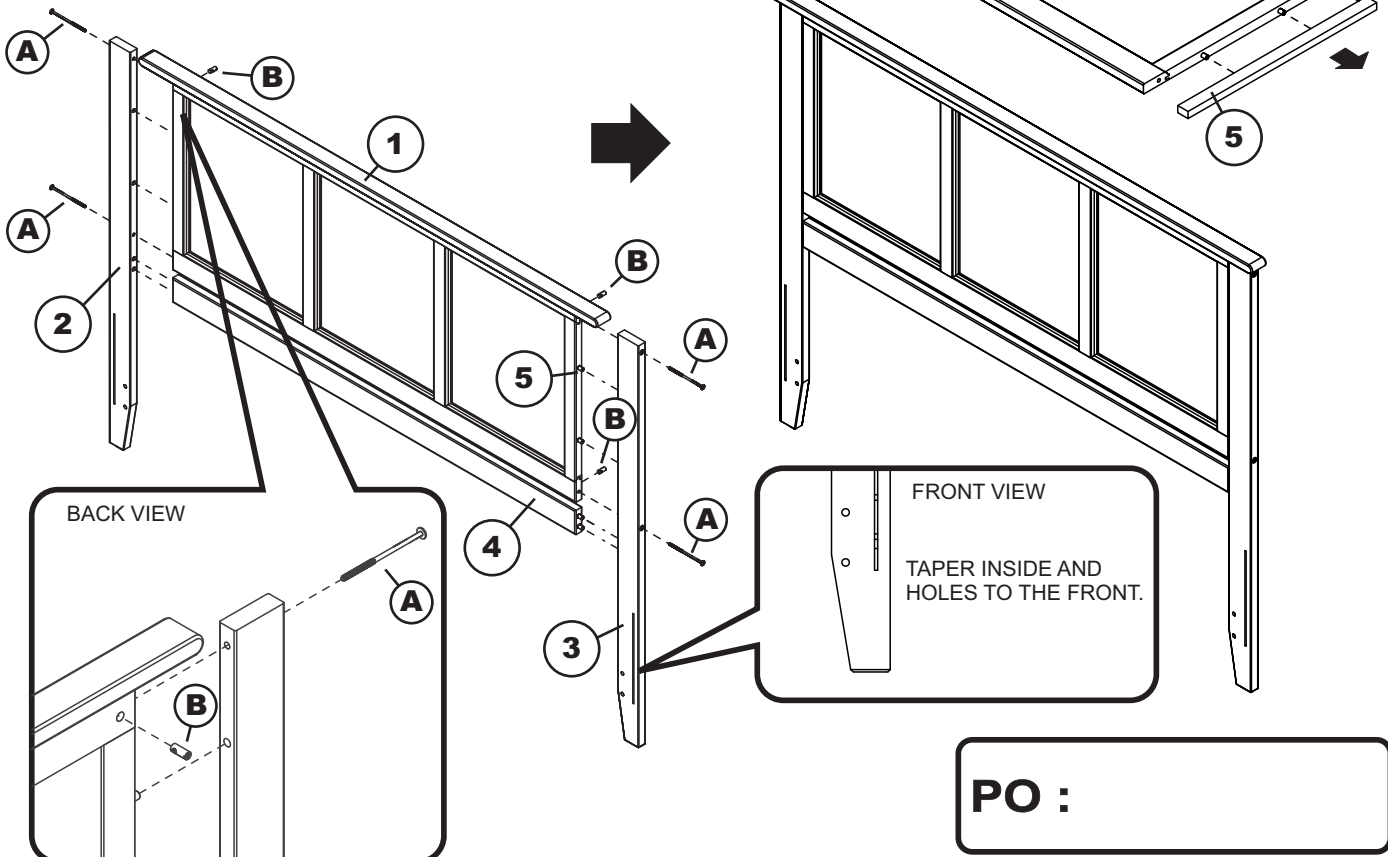
### Step 1

Remove packing stick (5) from headboard panel (1) and **DISCARD**.



### Step 2

Attach the legs (2) and (3) to headboard panel (1) and pillow stop (4) using JCB (A) and barrel nut (B). Tighten with the Allen wrench (F).

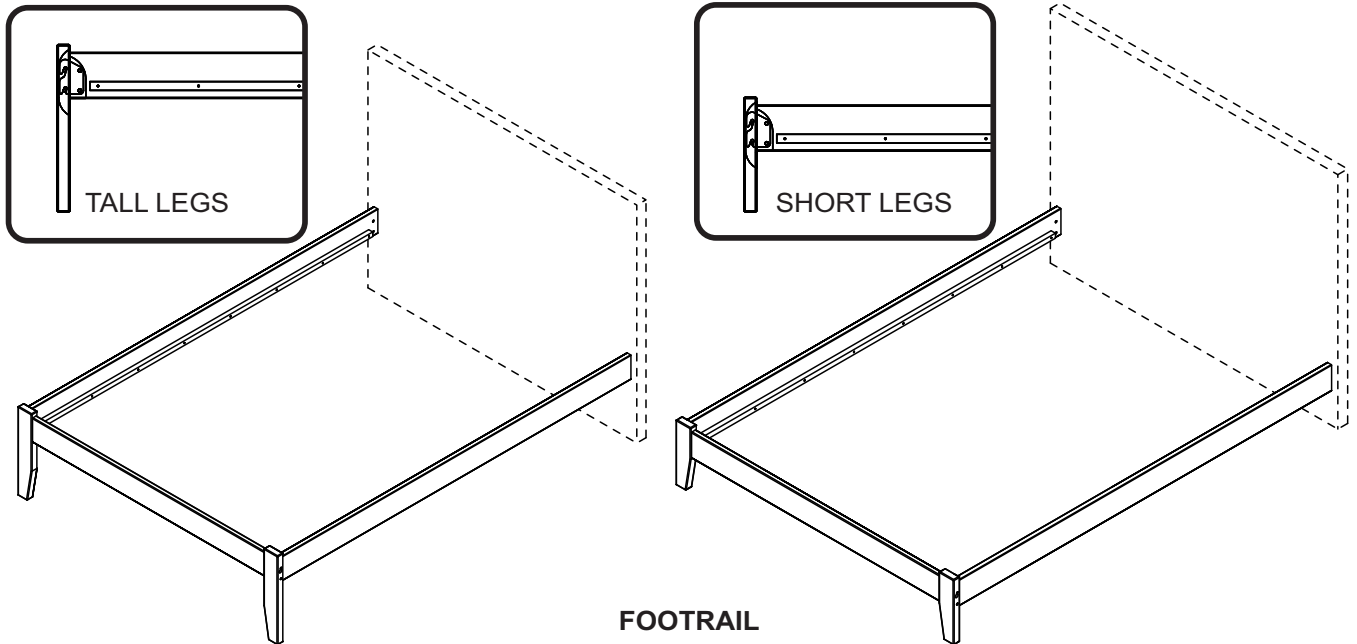


**PO :**

If you purchased a wood headboard to attach to metal bed frame, please refer to page 3.



Your Atlantic bed can be assembled using an open footrail or panel footboard.  
The open footrail has a choice of tall or short legs.

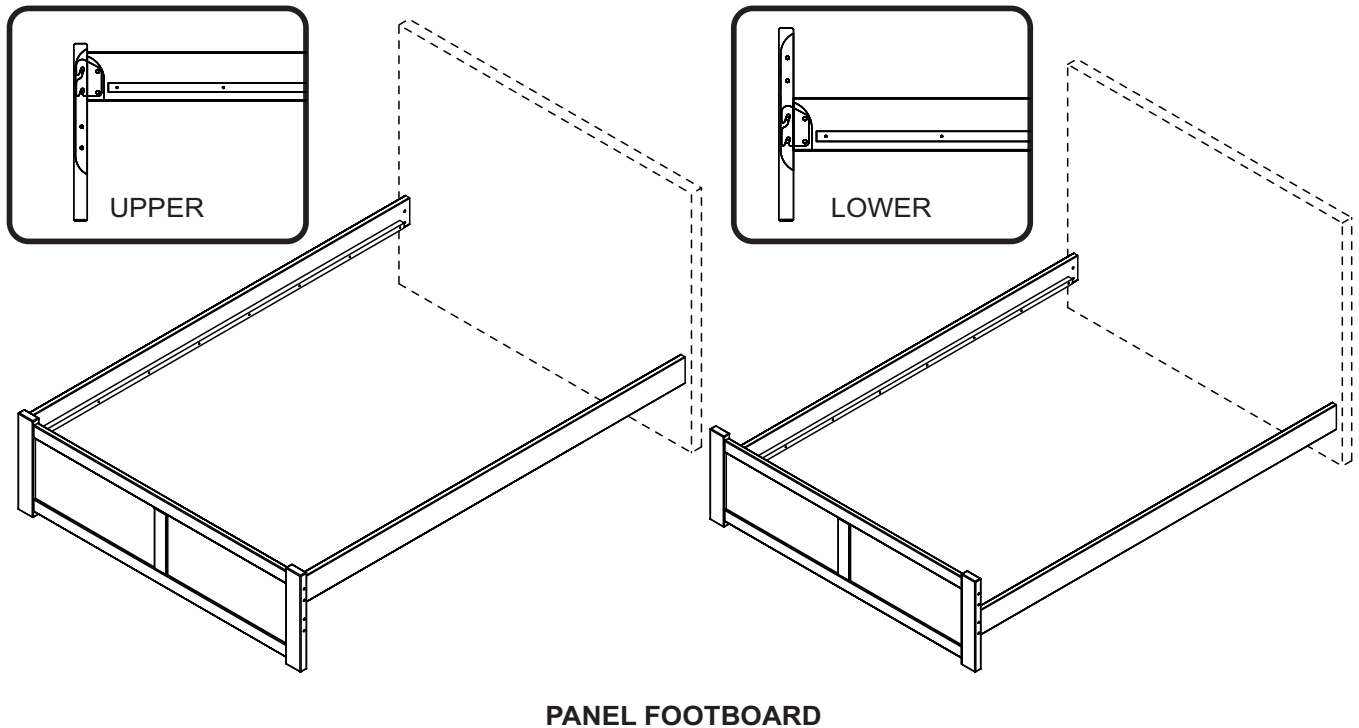


Storage drawers, Trundle bed or mattress only use TALL LEGS.

Foundation and mattress use SHORT LEGS.



The side rails can be attached to either the upper set of pins or lower set of pins.



Storage drawers, Trundle bed or mattress only use UPPER PINS.

Foundation and mattress use LOWER PINS.



atlanticfurniture.com

## ASSEMBLY INSTRUCTIONS

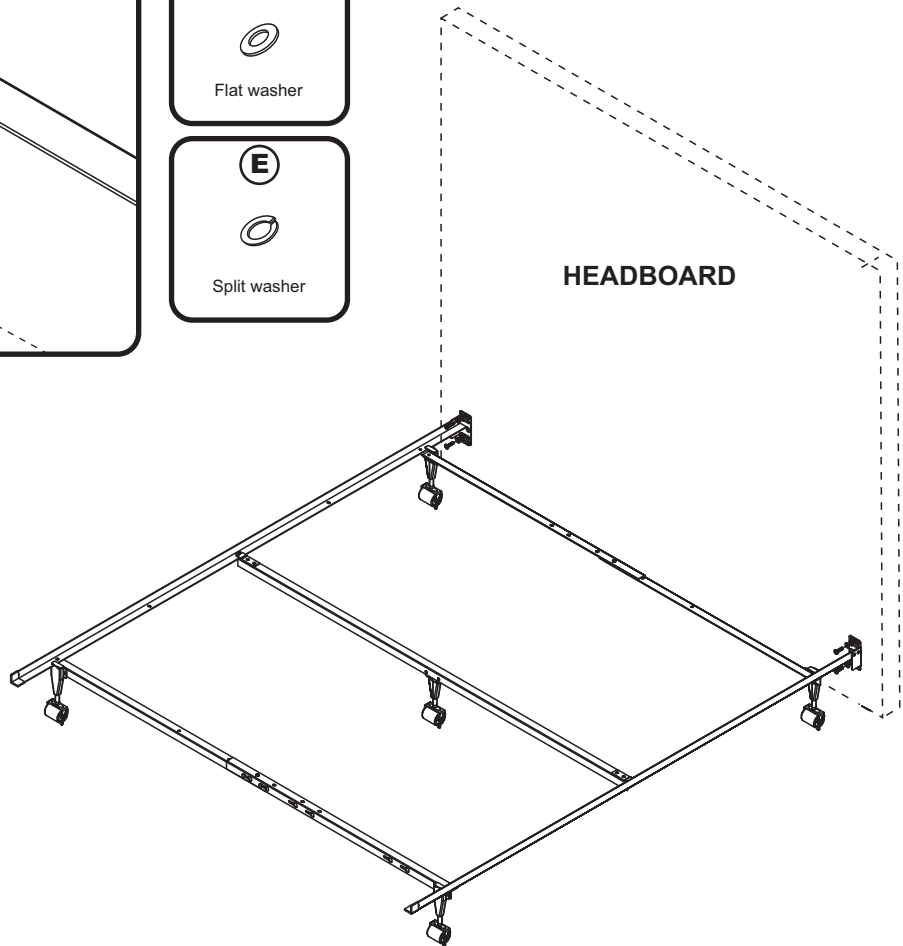
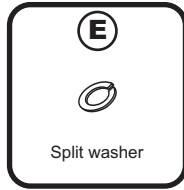
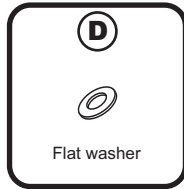
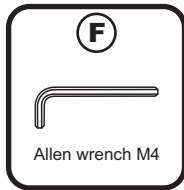
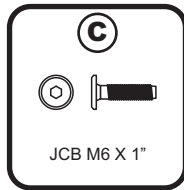
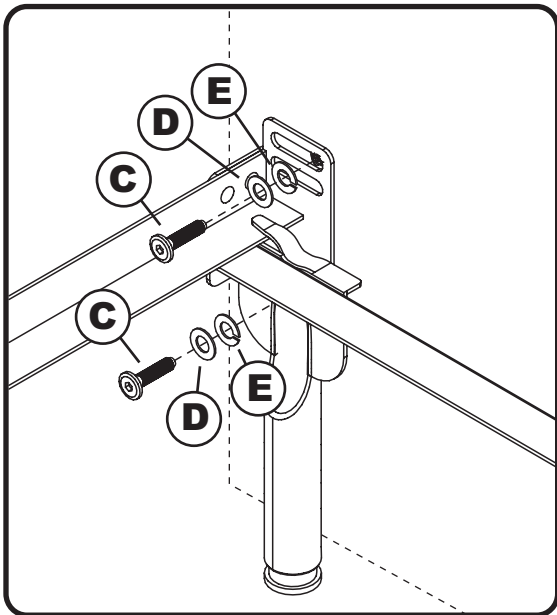
Before assembling your bed, please read through these instructions carefully and familiarize yourself with the different parts.

Instructions apply for bed sizes  
**Queen > King**



Metal bed frames are sold separately from wood headboards. The hardware shown on this page is supplied with your Atlantic wood headboard for attaching the bed frame to the headboard. The metal bed frame is supplied with its own assembly instructions and hardware.

**Step 1** Attach the headboard assembly to the metal frame using JCB (C), flat washer (D), and split washer (E) then tighten with Allen wrench (F), as shown below.



## Congratulations!

Your bed is now ready for use.

To ensure lasting safety, we recommend that you periodically check that all screws are tight and all parts are secure.

