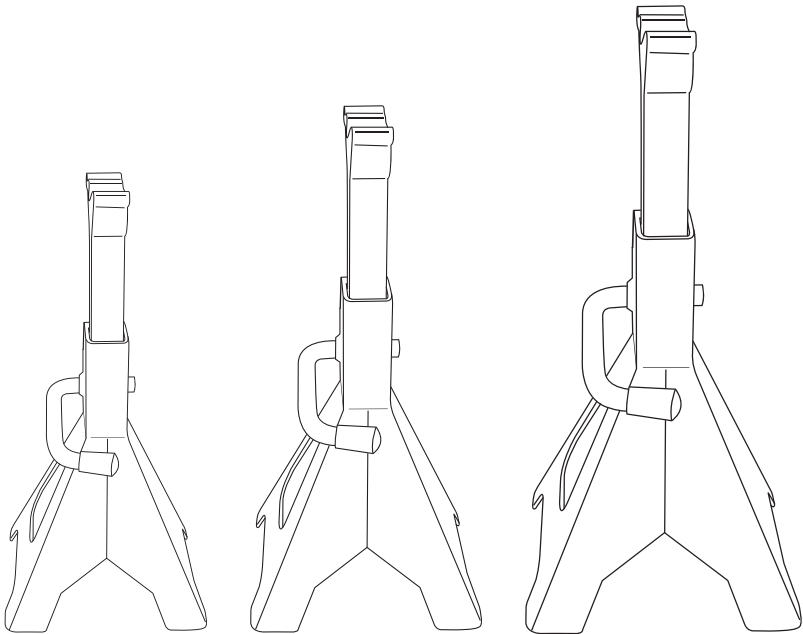




OWNER'S MANUAL

## JACK STANDS

Item: T42002, T42002-1 T42002X, T43002, T43002-1, T43002X, T43006, T43006-1  
T46002, T46002-1, T412002, T412002-1



### **▲ WARNING!**

Questions, problems, missing parts? Before returning to your retailer, call our customer service department at 1-888-44-TORIN (1-888-448-6746), 8 a.m.- 5 p.m., PST, Monday-Friday.

Read carefully and understand all ASSEMBLY AND OPERATION INSTRUCTIONS before operating. Failure to follow the safety rules and other basic safety precautions may result in serious personal injury.

Version 20161110

## IMPORTANT

Before You Begin Register This Product.

For future reference, record the model name, model number, date of manufacture and purchase date of this product. You can find this information on the product.

Model Name \_\_\_\_\_

Model Number \_\_\_\_\_

Date of Manufacture \_\_\_\_\_

Date of Purchase \_\_\_\_\_

## OWNER / USER RESPONSIBILITY

**DO NOT OPERATE OR REPAIR THIS PRODUCT WITHOUT READING THIS MANUAL.**

Read and follow the safety instructions. Keep Instructions readily available for operators. Make certain all operators are properly trained and understand how to safely and correctly operate the product. By proceeding you agree that you fully understand and comprehend the full contents of this manual. Failure to operate this product as intended may cause injury or death. The manufacturer is not responsible for any damages or injury caused by improper use or neglect. Allow product operation only with all parts in place and operating safely. Use only genuine replacement parts. Service and maintain the product only with authorized or approved replacement parts; negligence will make the product unsafe for use and will void the warranty. Carefully inspect the product on a regular basis and perform all maintenance as required. Store these instructions in a protected dry location. Keep all decals on the product clean and visible. Do not modify and/or use for any application other than that for which this product was designed. If you have any questions relative to a particular application, DO NOT use the product until you have first contacted the distributor or manufacturer to determine if it can or should be performed on the product.

For technical questions please call 1-888-448-6746.

## INTENDED USE

Jack Stands are designed to support rated capacity, partial vehicle loads consisting of one end of a vehicle. Use both stands for each operation.

## TECHNICAL SPECIFICATIONS

Item	Capacity	Lifting Range Min. (inch)	Lifting Range Max. (inch)	Lifting Range Min. (cm)	Lifting Range Max. (cm)
T42002 T42002-1	2 TON	10-13/16	16-9/16	27.5	42
T42002X	2 TON	9-13/16	14-15/16	25	38
T43002 T43002-1	3 TON	11-1/4	16-3/4	28.5	42.5
T43002X	3 TON	10-5/8	16-1/8	27	41
T43006 T43006-1	3 TON	14	20-1/2	35.5	52
T46002 T46002-1	6 TON	15-3/8	23-13/16	39	60.5
T412002 T412002-1	12 TON	18-5/16	28-1/8	46.5	71.5

## GENERAL SAFETY RULES

- ⚠ WARNING: Read and understand all instructions.** Failure to follow all instructions listed below may result in serious injury.
- ⚠ CAUTION:** Do not allow persons to operate or assemble this jack until they have read this manual and have developed a thorough understanding of how the jack works.
- ⚠ WARNING: The warnings, cautions, and instructions discussed in this instruction manual cannot cover all possible conditions or situations that could occur.** It must be understood by the operator that common sense and caution are factors that cannot be built into this equipment, but must be supplied by the operator.

## GENERAL SAFETY RULES IMPORTANT SAFETY CONSIDERATIONS

### EQUIPMENT USE AND CARE

- Do not modify the jack stands in any way. Unauthorized modification may impair the function and/or safety and could affect the life of the equipment. There are specific applications for which the jack stands were designed.
- **Always check of damaged or worn out parts before using the jack stands.** Broken parts will affect the jack stands operation. Replace or repair damaged or worn parts immediately.
- Store idle jack stands. When jack stands are not in use, store them in a secure place out of the reach of children. Inspect it for good working condition prior to storage and before re-use.
- ⚠ WARNING! NEVER use automotive jack stands to support both ends, or one side of a vehicle! NEVER use on jack stands on a lawn mower or lawn tractor. Use only 1 pair per vehicle. Rated capacity is per pair only!**

### INSPECTION

- Inspect the equipment carefully before each use. Ensure the equipment is not damaged, excessively worn, or missing parts.
- Do not use if components are bent, broken or cracked.
- Using equipment that is not in good clean working condition may cause serious injury.
- Inspect the work area before each use. Make sure it is free and clear of any potential hazards.

### **DO NOT OPERATE OR REPAIR THIS EQUIPMENT WITHOUT READING THIS MANUAL.**

To maintain the equipment and user safety, the responsibility of the owner is to read and follow these instructions.

- Inspect the equipment for proper operation and function.
- Keep instructions readily available for equipment operators.
- Make certain all equipment operators are properly trained; understand how to safely and correctly operate the unit.
- Allow unit operation only with all parts in place and operating properly.
- Use only genuine replacement parts.
- Service and maintain the unit only with authorized or approved replacement parts; negligence will make the equipment unsafe for use and void the warranty.
- Carefully inspect the unit on a regular basis and perform all maintenance as required.
- Store these instructions in the handle of your equipment.
- Keep all decals on the unit clean and visible.

## SAFETY MARKINGS

### **WARNING!**

1. Study, understand, and follow all instructions before operating this device.
2. Do not exceed rated capacity.
3. Use only on hard, level surfaces, with less than 3 degrees of slope.
4. Center load on saddle.
5. Use as a matched pair only.
6. Stands are not to be used to simultaneously support both ends of a vehicle.
7. No alterations shall be made to this product.
8. Support only on areas of the vehicle as specified by the vehicle manufacturer.
9. Only attachments and/or adapters supplied by the manufacturer shall be used.
10. Use wheel chocks or other blocking device on opposing wheels before using jack stands.
11. Do not use jack stands for any use other than the manufacturer specified usage.
12. Do not use if damaged in any way.
13. NEVER use jack stands on a lawn mower or lawn tractor.
14. Do not move or dolly the vehicle while on support stands.
15. Do not rock the vehicle while working on or around equipment.
16. The following are not recommended for supporting on this equipment: Foundations, Homes, Mobile Homes, Trailers, RV's, Campers, nor Fifth Wheels, etc...
17. Failure to heed these markings may result in personal injury and/or property damage.

### **WARNING!**

DO NOT USE wood blocks or any other non-approved load sustaining devices or any other non-approved supporting devices for a means of raising or supporting a vehicle or load being raised. The manufacturer only warrants loads to be sustained by adapters or accessories validated by the manufacturer. Failure to heed these warnings may cause injury or death.

### **GENERAL SAFETY INSTRUCTIONS:**

#### **Training**

Do not allow anyone who has not read this manual, and/or does not understand the requirements to use the product.

#### **Spectators**

Do not allow bystanders around or under the load supported. Do not allow anyone in a vehicle when raised or is supporting a load. Keep all bystanders away from lift when in use.


#### **Operators**

Not for use by children or people with reduced mental capacity.

**NEVER** use if incoherent or under the influence of medication, drugs or alcohol.

#### **Inspection**

Inspect the product carefully before each use. Ensure the product is not damaged, excessively worn, or missing parts. Do not use the lift unless it is properly lubricated. Using a lift that is not in good clean working condition or properly lubricated may cause serious injury.

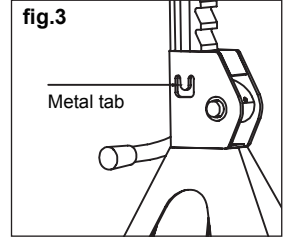
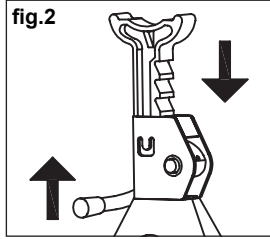
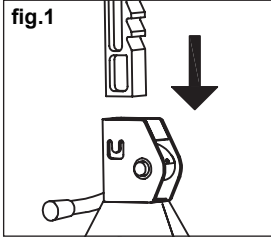
 **WARNING:** Be sure all tools and personnel are clear before lowering load. Use only attachments and/or adapters supplied by the manufacturer. Support only on areas of the vehicle as specified by the vehicle manufacturer.

## ASSEMBLY INSTRUCTIONS

In order to prevent removal of the post from the base use a hammer and flat end punch to hammer the jack's tab in toward to post but not touching the post. If the same stands are equipped with a bolt instead of the tab. In this case the bolt can be threaded in toward the post until the bolt bottoms out.

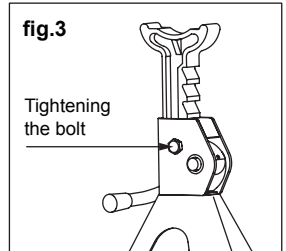
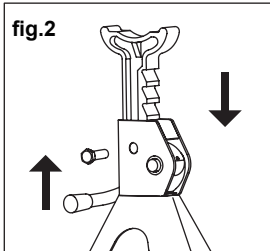
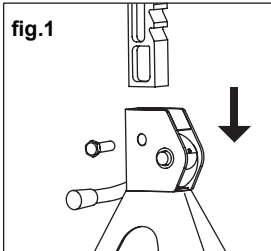
Item: T42002, T42002-1 T42002X, T43002, T43002-1, T43002X, T43006, T46002, T46002-1

1. Install ratchet bar into frame (fig. 1) with ratchet portion of bar aligned with locking pawl (stopper).
2. Move the ratchet bar to its lowest position by raising the locking handle, thereby releasing the stopper, and guiding the bar downward (fig. 2).
3. Bend metal tab in (Fig. 3) using a hammer and punch. This will help prevent inadvertent separation of the ratchet bar from base frame.



Item: T412002, T412002-1

1. Install ratchet bar into frame (fig. 1) with ratchet portion of bar aligned with locking pawl (stopper).
2. Move the ratchet bar to its lowest position by raising the locking handle, thereby releasing the stopper, and guiding the bar downward (fig. 2).
3. Tightening the bolt (Fig 3) using a wrench. This will help prevent inadvertent separation of the ratchet bar from base frame.



## OPERATION INSTRUCTIONS

- If the operator is not fluent in English, the product and safety instructions shall be read to and discussed with the operator in the operator's native language by the purchaser/owner or his designee, making sure that the operator comprehends their contents.
  - Visual inspection shall be performed before each use of the stand by checking abnormal condition, such as cracked welds, leaks and damaged, loose, or missing parts if stand is believed to have been subjected to abnormal load or shock inspection shall be made by authorized repair facility.
  - Equipment that appears damage or worn or operates abnormally shall be removed from service.
1. Use on hard level surface with less than 3 degrees of slope.
  2. Raise Vehicle with suitable jack.
  3. Adjust height by pulling up on ratchet bar.
  4. The weight of the locking handle should secure the ratchet bar in desired position. To confirm this, simply push down on the locking handle. Check to ensure ratchet is secure before loading.
  5. Carefully position jack stands so that load is centered on stand's saddle.
  6. **Slowly** lower the vehicle onto the stands.
  7. Check to ensure vehicle is secure before working on, around or under. When used to support vehicle, use wheel chocks on all unlifted wheels in both directions to prevent inadvertent movement.
  8. DO NOT jack or dolly while jack stands are supporting the vehicle.

### TO LOWER LOAD

1. Ensure that all tools, equipment and personnel are clear before lowering load.
2. With suitable jack, raise vehicle clear of stands.
3. Carefully release stopper and allow ratchet to glide down to lowest position.
4. Carefully remove stands, then carefully lower vehicle with lifting device.

## MAINTENANCE INSTRUCTIONS

- **Maintain your equipment.** It is recommended that the general condition of any **equipment** be examined before it is used. Keep your **equipment** in good repair by adopting a program of conscientious repair and maintenance. Have necessary repairs made by qualified service personnel.
- Follow the maintenance instructions carefully to keep your equipment in good working condition. Never perform any maintenance on the equipment while it is under a load.
  - a. All moving parts of the equipment should be regularly cleaned.
  - b. Lubricate parts as required by the manufacturer's specifications. The type of lubricant should be as specified by the manufacturer or a qualified person. Lubrication systems should be checked to verify proper operation.
  - c. If additional maintenance is required, it should be completed in accordance with the instructions of the manufacturer or qualified person.

### Inspection

You should inspect the equipment for damage, wear, broken or missing parts (e.g.: pins) and that all components function before each use. Follow lubrication and storage instructions for optimum product performance. Check the climbing pins to make sure that they are not worn or damaged. Check that everything is in good working condition and that nothing is blocking the holes. Do not use the equipment unless it is in good working condition.

### Binding

If the equipment binds while under a load, use equipment with equal or a larger load capacity to lower the load safely to the ground. After un-binding; clean, lubricate and test that equipment is working properly. Rusty components, dirt, or worn parts can be causes of binding. Clean and lubricate the equipment as indicated in the lubrication section. Test the equipment by lifting without a load. If the binding continues, contact Customer Service.

### IF YOUR EQUIPMENT BINDS

As your equipment becomes older, the threads may start binding. This will prevent the equipment from operating properly and safely. Rusty threads, dirty threads, or a worn threads can cause binding. Clean and lubricate the lifting mechanism. Test the equipment without a load. If the binding continues, refer to the after sale parts and service. If your equipment binds while under a load, use a equipment with equal or larger load capacity to lower the load safely to the ground. Repeat the steps in this paragraph to the binding equipment.

### Cleaning

If the moving parts of the equipment are obstructed, use cleaning solvent or another good degreaser to clean the equipment. Remove any existing rust, with a penetrating lubricant.

### Do not use motor oil or grease to lubricate the equipment

### Rust Prevention:

-Check daily for any signs of rust or corrosion.

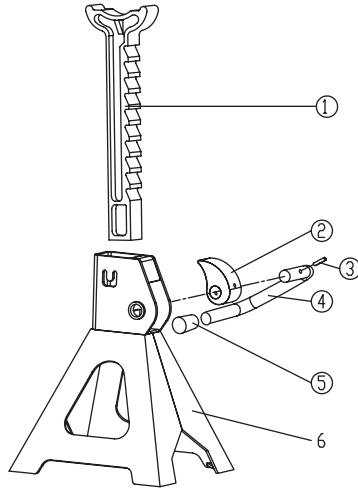
Without a load lift the equipment as high as it goes and look under and behind the lifting points. If signs of rust are visible clean as needed.

### Storing the Equipment

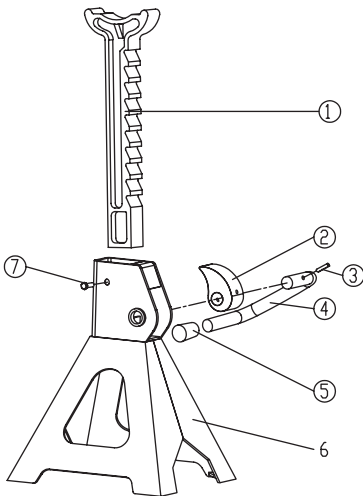
1. Store in a dry location, recommended indoors.
2. Equipment should be stored in an area where they will not be subjected to damage.
3. If extreme temperatures or chemically active or abrasive environments are involved, the guidance provided in shall be followed.
4. Temperature - When equipment is used at temperatures above 140°F (60°C) or below -20°F (-29°C), the equipment manufacturer or a qualified person should be consulted.
5. Chemically Active Environments -The strength and operation of equipment can be affected by chemically active environments such as caustic or acid substances or fumes. The equipment manufacturer or a qualified person should be consulted before equipment are used in chemically active environments.
6. Other Environments - The internal workings of equipment can be affected by high moisture, gravel or sand, silt, grit, or other dust-laden air. Equipment subject to these environments should have their inner components frequently cleaned, inspected, and lubricated.

*Note: If the equipment is stored outdoors, be sure to lubricate all parts before and after use to ensure the equipment stays in good working condition.*

# ASSEMBLY DIAGRAM



Ref.	Part#				Description				Qty
	T42002 T42002-1	T43002 T43002-1	T43006 T43006-1	T46002 T46002-1	T42002 T42002-1	T43002 T43002-1	T43006 T43006-1	T46002 T46002-1	
1	T42002C-1	T43002C-1	T43006-1	T46002C-1	Ratchet bar				1
2	T42002-4	T43002-4	T43006-4	T46002-4	Locking pawl				1
3	GB879-4X25	GB879-4X30	GB879-4X30	GB879-4X30	Spring pin Ø4x25mm	Spring pin Ø4x30mm	Spring pin Ø4x30mm	Spring pin Ø4x30mm	1
4	T42002-7	T42002-7	T42002-7	T46002-7	Locking handle				1
5	T42002-6	T42002-6	T42002-6	T46002(CQ)-6	Handle sleeve				1
6					Base frame				1



Ref.	Part#		Description	Qty
	T412002 T412002-1	T412002-1		
1	T412002-1	T412002-1	Ratchet bar	1
2	T412002-4	T412002-4	Locking pawl	1
3	GB879-5X35	GB879-5X35	Spring pin Ø5x35mm	1
4	T412002-7	T412002-7	Locking handle	1
5	T412002-6	T412002-6	Handle sleeve	1
6			Base frame	1
7	GB5783	GB5783	Hex head bolt M8x16mm	1

Safe Operating Temperature is between 40°F – 105°F  
(4°C - 41°C)

## WARRANTY NOTICE

This equipment is covered under a 1-year limited warranty when used as recommended. Only those items listed with a Part # are available for purchase. For assistance with the operation or the availability of replacement parts, contact our Parts and Warranty Department at 1-888-44-TORIN (1-888-448-6746). Please have available a copy of your receipt, the model number of the product, serial number, and specific details regarding your question.

Not all equipment components are available for replacement; illustrations provided are a convenient reference of location and position in the assembly sequence.

**The manufacturer reserves the rights to make design changes and or improvements to product lines and manuals without notice.**

## WARRANTY INFORMATION

We want to know If you have any concerns with our products. If so, please call toll-free for Immediate assistance. For additional web customer support help inquiries visit the Customer Service section at: <http://www.torin-usa.com>.

## TORIN ONE YEAR LIMITED WARRANTY

Torin Inc.® has been producing quality automotive repair and maintenance products since 1968. All products sold are felt to be of the highest quality and are covered by the following warranty:

With proof of purchase for a period of one year from the date of that purchase, the manufacturer will repair or replace, at its discretion, without charge, any of its products or parts thereof which fail due to a defect in material or workmanship. This warranty does not cover damage or defects caused by improper use, careless use or abuse of the equipment. This warranty does not cover parts normally considered to wear out or be consumed in the normal operation of the equipment. Except where such limitations and exclusions are specifically prohibited by applicable law, (1) the CONSUMERS SOLE AND EXCLUSIVE REMEDY SHALL BE THE REPAIR OR REPLACEMENT OF DEFECTIVE PRODUCTS AS DESCRIBED ABOVE, and (2) THE MANUFACTURER SHALL NOT BE LIABLE FOR ANY CONSEQUENTIAL OR INCIDENTAL DAMAGE OR LOSS WHATSOEVER, and (3) THE DURATION OF ANY AND ALL EXPRESSED AND IMPLIED WARRANTIES, INCLUDING, WITHOUT LIMITATION, ANY WARRANTIES OF MERCHANTABILITY AND FITNESS FOR A PARTICULAR PURPOSE, IS LIMITED TO A PERIOD OF ONE YEAR FROM DATE OF PURCHASE. Product alteration in any manner by anyone other than us, with the sole exception of alterations made pursuant to product instructions and in a workman like manner. You acknowledge and agree that any use of the product for any purpose other than the specified use(s) stated in the product instructions is at Your own risk.

Always check for damaged or worn out parts before using any product. Broken parts will affect the equipment operation. Replace or repair damaged or worn parts immediately. Do not modify the product in any way. Unauthorized modification may impair the function and/or safety and could affect the life of the equipment. There are specific applications for which products are designed and tested during production. Manufacturer provided warranted items are not authorized to be repaired by anyone other than the manufacturer or manufacture approved repair person. Distributor does not have authorization to amend these statements. You acknowledge and agree that any modification of the product for any purpose other than manufacturer completed repairs is at your own risk. Before using this product, read the owner's manual completely and familiarize yourself thoroughly with the product and the hazards associated with its improper use. IMPORTANT: BEFORE FIRST USE on any Lift verify that a daily inspection has been completed and that all components are in the proper working order.

This limited warranty gives you specific legal rights, and you also may have other rights, which vary from state to state. Some states do not allow limitations or exclusions on implied warranties or incidental or consequential damages, so the above limitations may not apply to You. This limited warranty is governed by the laws of the State of California, without regard to rules pertaining to conflicts of law. The state courts located in San Bernardino County, California shall have exclusive jurisdiction for any disputes relating to this warranty.

Manufacturer reserves the rights to make design changes and or improvements to this product lines and manual without notice. We at Torin have taken every effort to ensure complete and accurate instructions have been included in this manual. However, possible product updates, revisions and or changes may have occurred since this printing. Torin Inc. reserves the right to change specifications without incurring any obligation for equipment previously or subsequently sold. Not responsible for typographical errors. Alternately Customer Service can be reached through [www.torin-usa.com](http://www.torin-usa.com) or via email at [info@torin-usa.com](mailto:info@torin-usa.com).

Not all equipment components are available for replacement, but are illustrated as a convenient reference of location and position in the assembly sequence. Contact Customer Service for equivalent component. When you contact us, please have your Product's Model number, Serial Number and Description ready so that we may help you efficiently. This information can be found on a sticker on the product.

For any warranty support or if your Torin® equipment is not functioning properly contact Torin® Customer Service directly by telephone at 1-888-44-TORIN (1-888-448-6746) 8:00am – 5:00pm Pacific Time, Monday – Friday

[www.torin-usa.com](http://www.torin-usa.com)

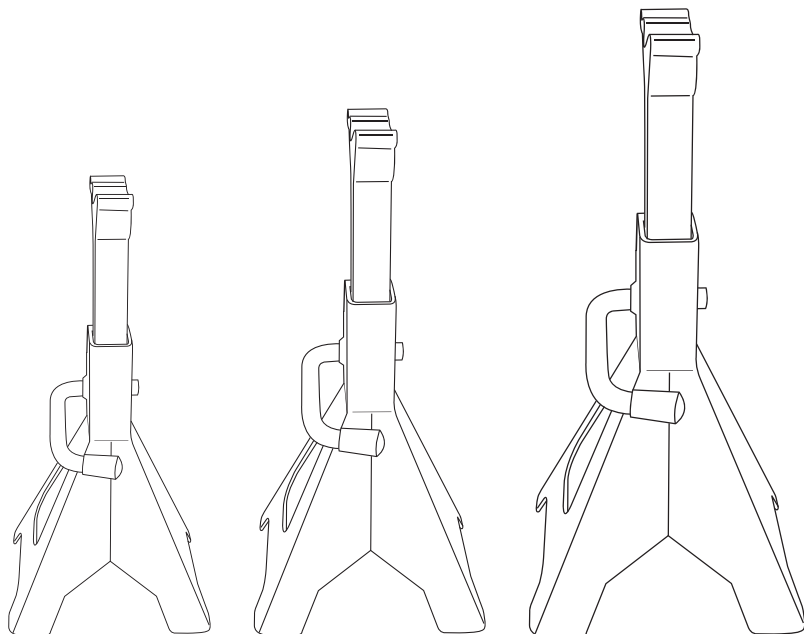
Made in China



MANUEL DU PROPRIÉTAIRE

## CHANDELLES À CLIQUET

Article No: T42002,T42002-1 T42002X, T43002, T43002-1,T43002X,T43006,T43006-1  
T46002, T46002-1,T412002,T412002-1



### ▲ AVERTISSEMENT!

Questions, problèmes, pièces manquantes? Avant de retourner voir votre fournisseur, appelez notre service à la clientèle au 1-888-44-TORIN (1-888-448-6746) entre 8 heures et 17 heures, HNP, du lundi au vendredi.

Lisez attentivement et comprenez toutes les DIRECTIVES DE MONTAGE ET DE FONCTIONNEMENT avant l'utilisation. Vous pouvez subir des blessures graves si vous ne vous conformez pas à ces règles et autres précautions de sécurité.

Version 20161115

## IMPORTANT

Avant de commencer, enregistrez ce produit.

Pour référence future, enregistrez le nom de modèle, le numéro, la date de fabrication et la date d'achat du produit. Vous pouvez trouver ces renseignements sur le produit.

Nom de modèle \_\_\_\_\_

Numéro de modèle \_\_\_\_\_

Date de fabrication \_\_\_\_\_

Date d'achat \_\_\_\_\_

## RESPONSABILITÉ DU PROPRIÉTAIRE OU DE L'UTILISATEUR

**NE PAS UTILISER OU RÉPARER CE PRODUIT SANS AVOIR LU LE PRÉSENT MANUEL.**

Lisez et suivez les directives de sécurité. Conservez ces directives à la disponibilité des opérateurs. Assurez-vous que tous les opérateurs sont bien formés et savent comment utiliser le produit correctement et en toute sécurité. En continuant, vous convenez que vous comprenez complètement le contenu du présent manuel.

Le produit peut causer des blessures ou provoquer la mort si vous n'utilisez pas le produit dans le but pour lequel il a été conçu. Le fabricant n'est pas responsable des dommages ou blessures provoquées par une utilisation inappropriée ou par négligence. Ne faites fonctionner le produit que si toutes les pièces sont en place et fonctionnent de manière sécuritaire. N'utilisez que des pièces de rechange authentiques. Effectuez l'entretien de ce produit uniquement avec des pièces de rechange autorisées ou approuvées; la négligence rendra l'utilisation du produit dangereuse et annulera la garantie. Inspectez régulièrement et avec soin le produit et effectuez tout l'entretien nécessaire. Conservez ces directives dans un endroit protégé sec.

Conservez propres et visibles tous les autocollants sur le produit. Ne modifiez pas ou n'utilisez pas le produit pour une application autre que celle pour laquelle il a été conçu. Pour toute question relative à une application particulière, N'utilisez PAS le produit avant d'avoir communiqué avec le distributeur ou le fabricant afin de déterminer si cela peut se faire.

Pour toutes questions d'ordre technique, appelez au 1-888-448-6746.

## UTILISATION PRÉVUE

Les chandelles de levage sont destinées à supporter une capacité nominale, des charges partielles de véhicule à l'une des extrémités de ce dernier. Utilisez les deux chandelles pour chaque opération.

## SPÉCIFICATIONS TECHNIQUES

LE MODÈLE	Capacité	Amplitude de levage Min. (Pouce)	Amplitude de levage Max. (Pouce)	Amplitude de levage Min. (mm)	Amplitude de levage Max. (mm)
T42002 T42002-1	2 TONNES	10-13/16	16-9/16	27,5	42
T42002X	2 TONNES	9-13/16	14-15/16	25	38
T43002 T43002-1	3 TONNES	11-1/4	16-3/4	28,5	42,5
T43002X	3 TONNES	10-5/8	16-1/8	27	41
T43006 T43006-1	3 TONNES	14	20-1/2	35,5	52
T46002 T46002-1	6 TONNES	15-3/8	23-13/16	39	60,5
T412002 T412002-1	12 TONNES	18-5/16	28-1/8	46,5	71,5

## RÈGLES GÉNÉRALES DE SÉCURITÉ

- ⚠ AVERTISSEMENT : Lisez et comprenez toutes les directives.** Il peut se produire des blessures graves si vous ne suivez pas toutes les directives ci-dessous.
- ⚠ MISE EN GARDE : Ne permettez à personne d'utiliser ou d'assembler ces chandelles de levage avant d'avoir lu le manuel et d'avoir bien compris la manière dont fonctionne la chandelle.**
- ⚠ AVERTISSEMENT : Les avertissements, mises en garde et directives mentionnés dans le présent manuel d'instruction ne peuvent pas couvrir toutes les conditions ou situations qui peuvent se produire.** L'opérateur doit comprendre que le simple bon sens et la prudence sont des facteurs qui ne peuvent pas se trouver dans ce produit, mais que l'opérateur doit y suppléer.

## CONSIGNES GÉNÉRALES DE SÉCURITÉ FACTEURS DE SÉCURITÉ IMPORTANTS

### UTILISATION ET SOINS À DONNER AUX CHANDELLES DE LEVAGE

- Ne modifiez d'aucune façon les chandelles de levage. Une modification non autorisée peut nuire au fonctionnement ou à la sécurité et peut influencer sur la durée de vie de l'équipement. Il existe des applications particulières pour lesquelles les chandelles de levage ont été conçues.
- Vérifiez toujours s'il y a des pièces endommagées ou usées avant d'utiliser les chandelles de levage. Des pièces brisées influenceront sur le fonctionnement des chandelles de levage. Remplacez et réparez immédiatement les pièces endommagées ou usées.
- Entreposez les chandelles de levage non utilisées. Lorsque les chandelles de levage ne sont pas utilisées, entreposez-les dans un endroit sûr, hors de portée des enfants. Vérifiez-en l'état avant l'entreposage et une nouvelle utilisation.
- ⚠ AVERTISSEMENT! NE JAMAIS utiliser des chandelles de levage de véhicule pour supporter les deux extrémités ou un côté d'un véhicule!**  
**AVERTISSEMENT! NE JAMAIS utiliser de chandelles pour le levage d'une tondeuse ou d'un tracteur de jardin.**  
**Utilisez uniquement une paire de chandelles par véhicule. La capacité nominale s'applique à la paire uniquement!**

### INSPECTION

- Inspectez avec soin les chandelles de levage avant chaque utilisation. Assurez-vous que les chandelles ne sont pas endommagées, trop usées ou que des pièces y manquent.
- Ne les utilisez pas si des composants sont pliés, brisés ou fissurés.
- L'emploi de chandelles de levage qui ne sont pas en bon état et propres peut provoquer des blessures.
- Inspectez l'aire de travail avant chaque utilisation. Inspectez avec soin les chandelles de levage avant chaque utilisation. Assurez-vous qu'elle est libre de tous dangers potentiels.

### NE PAS UTILISER OU RÉPARER CE PRODUIT SANS AVOIR LU LE PRÉSENT MANUEL.

Le propriétaire est responsable de lire et de se conformer à ces instructions pour l'entretien du cric de service et le maintien de la sécurité de l'utilisateur.

- Inspectez le cric de service pour vérifier s'il fonctionne bien.
- Gardez ces instructions à la disponibilité des opérateurs d'équipement.
- Assurez-vous que tous les opérateurs d'équipement sont bien formés, qu'ils savent bien faire fonctionner l'appareil en toute sécurité.
- Ne permettez l'utilisation de l'unité que si toutes les pièces sont en place et fonctionnent bien.
- Utilisez uniquement des pièces de rechange d'origine.
- N'effectuez l'entretien et la maintenance de l'appareil qu'à l'aide de pièces de rechange autorisées ou approuvées; la négligence rendra le cric dangereux et annulera la garantie.
- Inspectez l'appareil avec soin sur une base régulière et effectuez tout entretien nécessaire.
- Conservez les présentes instructions dans la poignée du cric.
- Toutes les étiquettes doivent être propres et visibles.

## MARQUAGES DE SÉCURITÉ

### **⚠ AVERTISSEMENT!**

1. Étudiez, comprenez et suivez toutes les consignes avant d'utiliser cet appareil.
2. N'en dépassez pas la capacité nominale.
3. Utilisez uniquement sur surfaces dures et de niveau comportant une pente d'au plus 3 degrés.
4. Centrez la charge sur la sellette.
5. Utilisez uniquement en paire appariée.
6. Les chandelles ne doivent pas être utilisées pour supporter simultanément les deux extrémités d'un véhicule.
7. Aucune modification ne doit être apportée à ce produit.
8. Supportez le véhicule en ces seuls points spécifiés par le constructeur du véhicule.
9. Seules les fixations ou adaptateurs fournis par le fabricant seront utilisés.
10. Avant d'utiliser les chandelles de levage, utilisez des cales de roue ou autres dispositifs de calage sur les roues opposées.
11. N'utilisez pas les chandelles de levage pour une utilisation autre que celle spécifiée par le fabricant.
12. N'utilisez pas de chandelles de levage endommagées de quelque façon que ce soit.
13. NE JAMAIS utiliser de chandelles pour le levage d'une tondeuse ou d'un tracteur de jardin.
14. Ne déplacez pas le véhicule ou ne le tirez pas sur chariot pendant qu'il est supporté sur des chandelles.
15. Ne faites pas balancer le véhicule pendant que des travaux sont en train d'être effectués sur ou autour de l'équipement.
16. Il n'est pas recommandé de supporter l'équipement sur les suivants: fondations, maisons, maisons mobiles, caravanes, VR, camping-cars, semi-caravanes, etc
17. Il peut en résulter des blessures ou des dommages si vous ne suivez pas ces consignes.

### **⚠ AVERTISSEMENT!**

N'UTILISEZ PAS de cales en bois ou d'autres dispositifs de levage de charge non approuvés ou tous autres dispositifs de support non approuvés pour lever et supporter un véhicule ou une charge en cours de levage. Le fabricant garantit uniquement les charges à supporter par adaptateurs ou accessoires validés par le fabricant. La non-conformité à ces avertissements peut résulter en des blessures ou la mort.

### **⚠ CONSIGNES GÉNÉRALES DE SÉCURITÉ:**

#### **Formation**

Ne permettez à personne n'ayant pas lu le présent manuel ou n'en ayant pas compris les exigences d'utiliser ce produit

#### **Spectateurs**

Ne permettez pas la présence de spectateurs autour ou sous la charge supportée. Ne laissez personne se trouver dans le véhicule lorsqu'il est soulevé ou supportant une charge. Éloignez tous les spectateurs de l'appareil de levage lorsque ce dernier est utilisé.

#### **Opérateurs**

Ne doit pas être utilisé par des enfants ou des personnes mentalement déficientes.

**NE JAMAIS** utiliser lorsque vous êtes incohérent ou sous l'influence de médicaments, drogues ou alcool.

#### **Inspection**

Inspectez avec soin le produit avant chaque utilisation. Assurez-vous que le produit n'est pas endommagé, trop usé ou que des pièces y manquent. N'utilisez pas l'appareil de levage à moins qu'il ne soit suffisamment lubrifié. L'emploi d'un appareil de levage qui n'est pas en bon état et bien lubrifié peut provoquer des blessures graves.

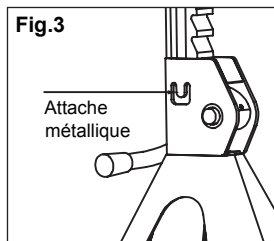
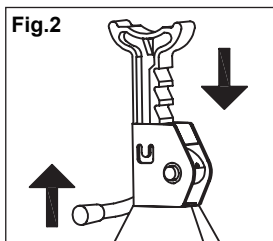
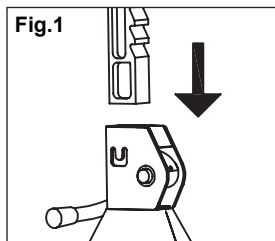
- ⚠ AVERTISSEMENT:** Assurez-vous que tous les outils et le personnel soient dégagés de l'aire de travail avant d'abaisser la charge. Utilisez uniquement les fixations ou adaptateurs fournis par le fabricant. Supportez le véhicule en ces seuls points spécifiés par le constructeur du véhicule.

## DIRECTIVES DE MONTAGE

Pour empêcher de retirer la colonne de la base, utilisez un marteau et un poinçon à extrémité plate pour enfoncer la patte de la chandelle vers la colonne, sans y toucher. Si la Certaines chandelles sont munies d'un boulon au lieu de la patte. Dans ce cas, le boulon peut être fileté vers la colonne jusqu'à son plus bas niveau.

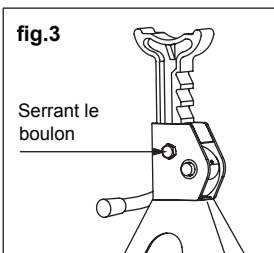
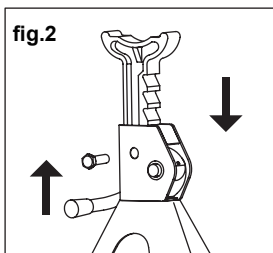
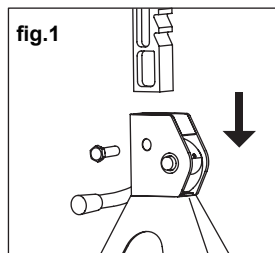
Article No: T42002, T42002-1 T42002X, T43002, T43002-1, T43002X, T43006, T46002, T46002-1

1. Posez la barre à cliquet dans le cadre (fig. 1) et la partie encliquetée de la barre alignée avec le cliquet de verrouillage (butoir).
2. Déplacez la barre à cliquet à sa position la plus basse en soulevant la poignée de blocage, libérant ainsi le butoir et en guidant la barre vers le bas (fig. 2).
3. Pliez la patte de métal à la (fig. 3) à l'aide d'un marteau et d'un poinçon. Cela empêche la séparation imprévue de la barre à cliquet du cadre de base.



Article No: T412002, T412002-1

1. Posez la barre à cliquet dans le cadre (fig. 1) et la partie encliquetée de la barre alignée avec le cliquet de verrouillage (butoir).
2. Déplacez la barre à cliquet à sa position la plus basse en soulevant la poignée de blocage, libérant ainsi le butoir et en guidant la barre vers le bas (fig. 2).
3. Serrant le boulon (Fig. 3) en utilisant une clé. Ceci aidera à éviter la séparation accidentelle de la barre à cliquet de la base du châssis.



## DIRECTIVES D'UTILISATION

- Si l'opérateur n'est pas à l'aise en anglais, il faut que l'acheteur ou le propriétaire ou son mandant lise et discute des directives du produit et de sécurité avec l'opérateur, dans sa langue maternelle, en s'assurant que l'opérateur en comprend le contenu.
  - Il faut effectuer une inspection visuelle de la chandelle de levage avant chaque utilisation en vérifiant tout état anormal comme des soudures fissurées, des fuites et des pièces endommagées, lâches ou manquantes si l'on croit que la chandelle a été soumise à une charge anormale ou il faut effectuer une inspection pour chocs à un atelier de réparation autorisé.
  - L'équipement qui semble endommagé ou usé ou qui fonctionne anormalement doit être retiré du service.
1. Utilisez sur une surface dure et de niveau comportant une pente d'au plus 3 degrés.
  2. Soulevez le véhicule à l'aide d'un cric adéquat.
  3. Réglez la hauteur en tirant sur la barre à cliquet.
  4. Le poids de la poignée de blocage devrait fixer la barre à cliquet à la position voulue. Pour le confirmer, poussez simplement dur la poignée de blocage vers le bas. Vérifiez pour vous assurer que le cliquet est bien en place avant d'y placer la charge.
  5. Positionnez avec soin les chandelles de levage de manière à ce que la charge repose sur la sellette de la chandelle.
  6. Abaissez lentement le véhicule sur les chandelles.
  7. Avant de travailler sur, autour ou sous le véhicule, vérifiez qu'il est en bonne position. Lorsque les chandelles sont utilisées pour supporter un véhicule, utilisez des cales de roue sur toutes les roues qui reposent au sol dans les deux sens pour empêcher tout mouvement imprévu.
  8. **NE SOULEVEZ PAS** ou ne tirez pas sur chariot le véhicule pendant qu'il est supporté sur des chandelles.

### POUR ABAISSER LA CHARGE

1. Assurez-vous que tous les outils, l'équipement et le personnel soient dégagés de l'aire de travail avant d'abaisser la charge.
2. À l'aide d'un cric adéquat, soulevez le véhicule au-dessus des chandelles.
3. Libérez prudemment le butoir et laissez le cliquet descendre à sa position la plus basse.
4. Retirez prudemment les chandelles, puis abaissez lentement le véhicule à l'aide de l'appareil de levage.

## INSTRUCTIONS D'ENTRETIEN

- Entretenez votre cric. Il est recommandé d'examiner les conditions générales des crics, avant de les utiliser. Gardez votre appareil en bon état, adoptez un plan d'entretien et de réparation, consciencieusement. Appelez des services certifiés et qualifié pour les réparations de votre appareil.
- Suivez soigneusement ces instructions d'entretien pour conserver votre appareil en bonnes conditions de travail. N'entretenez jamais votre appareil pendant un levage.
  - a. Nettoyez périodiquement les parties mobiles de l'appareil.
  - b. Lubrifiez les parties de l'appareil suivant les indications du fabricant. Choisissez le lubrifiant selon les indications données par le fabricant ou une personne qualifiée. Les systèmes de lubrifications devront être contrôlés afin de vérifier leur bon fonctionnement.
  - c. Au cas où un entretien additionnel serait nécessaire, faites-le conforme aux instructions du fabricant ou d'une personne qualifiée.

### Inspection

Inspectez toujours le cric avant de l'utiliser afin de détecter d'avance des problèmes, à savoir, des pièces endommagées, usées, cassées ou manquantes. (Par exemple: des pistons) et que tous les composants de l'appareil fonctionnent correctement, avant de sa mise en marche. Suivez les instructions de lubrification et entreposage pour réussir à avoir un rendement optimal du produit. Contrôlez les boulons de levage pour vous assurer qu'ils ne sont pas usés ou endommagés. Vérifiez que les conditions requises pour une bonne opération de l'appareil sont données et que tous les trous sont libres. N'utilisez le cric que s'il est en bon état de fonctionnement.

### Obstruction

Si le cric s'immobilise lors d'une opération de charge, utilisez un appareil pareil ou d'une capacité de charge majeure et retirez la charge en question en toute sécurité. Une fois réglé le problème, nettoyez, lubrifiez et testez l'appareil jusqu'à ce que celui-ci fonctionne correctement. Des composants rouillés, des pièces sales ou usées peuvent être les responsables des obstructions des appareils. Nettoyez et lubrifiez l'appareil selon les indications données dans la section Lubrification. Testez l'appareil, levez-le sans charge. Si l'obstruction reste toujours, contactez le Service d'Assistance au Client.

### SI VOTRE CRIC SUBI UNE OBSTRUCTION

Au bout d'un certain temps, les pièces du cric peuvent se bloquer. Cela empêchera le bon fonctionnement de l'appareil, en toute sécurité. Les vis, les rondelles rouillées, sales et usées peuvent bloquer l'appareil. Nettoyez et lubrifiez l'ensemble du mécanisme de levage de l'appareil. Testez l'appareil l'opérant sans charge. Si l'inconvénient continue, contactez notre service de réparation et de vente de pièces de rechange. Si le cric s'immobilise lors d'une opération de charge, utilisez un appareil pareil ou d'une capacité de charge majeure et retirez la charge en question en toute sécurité. Répétez les pas du paragraphe du cric bloqué.

### Nettoyage

Si les parties mobiles sont bloquées, nettoyez-les en vous servant d'un solvant nettoyeur ou d'un bon produit pour nettoyer l'appareil. Retirez la rouille existant en utilisant un bon lubrifiant.

**Ne lubrifiez pas l'appareil avec des lubrifiants pour les automobiles.**

### Prévention de la rouille:

-Réviser hebdomadairement l'appareil pour détecter la formation de rouille ou la corrosion du métal.

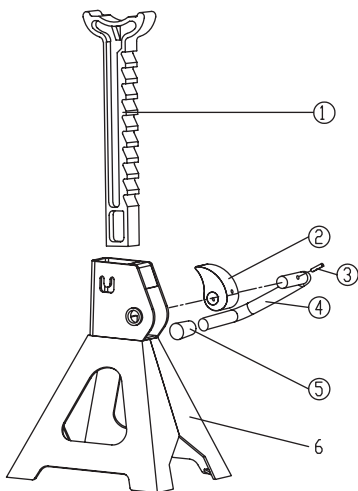
Sans aucune charge, levez le vérin le plus haut possible et regardez dessous et derrière les points de levage. Si vous remarquez des formations visibles de rouille, nettoyez bien la surface affectée.

### Entreposage du cric

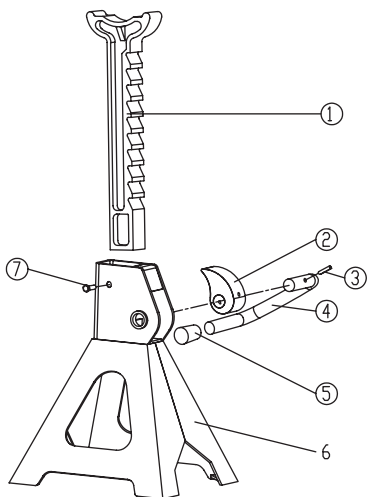
1. Rangez-le dans un endroit sec. Il est recommandé l'entreposer dans un endroit fermé.
2. Les crics mécaniques doivent être entreposés dans une aire protégée pour éviter des endommagements.
3. Si l'entreposage se fait dans des températures très élevées ou dans des environnements abrasifs ou chimiquement actifs, suivez ces directives:
4. Température – Lorsque les crics mécaniques sont utilisés dans des températures supérieures à 140 °F (60° C) ou en dessous de -20 °F (-29° C), il faudrait consulter le fabricant du cric ou une personne qualifiée
5. Environnements chimiquement actifs - La résistance et l'opération des crics mécaniques peuvent se voir affectées à cause des environnements chimiquement actifs, tels que des substances ou des vapeurs caustiques ou acides. Consultez le fabricant du cric ou une personne qualifiée avant d'opérer des crics mécaniques dans des environnements chimiquement actifs.
6. D'autres environnements – Les mécanismes internes des crics peuvent se voir endommagés à cause de l'humidité, du sable, de petits cailloux, de la boue, de la poussière. Inspectez ces crics fréquemment afin de conserver leurs composants en bon état de fonctionnement, nettoyés et bien lubrifiés.

*Remarque: Si vous rangez le cric à l'extérieur, lubrifiez-le avant et après l'utilisation, afin de préserver les bonnes conditions de fonctionnement.*

# SCHÉMA DE MONTAGE



#	No de pièce				Description				Qtée
	T42002 T42002-1	T43002 T43002-1	T43006 T43006-1	T46002 T46002-1	T42002 T42002-1	T43002 T43002-1	T43006 T43006-1	T46002 T46002-1	
1	T42002C-1	T43002C-1	T43006-1	T46002C-1	Barre à cliquet				1
2	T42002-4	T43002-4	T43006-4	T46002-4	Cliquet de blocage				1
3	GB879-4X25	GB879-4X30	GB879-4X30	GB879-4X30	Axe creux fendu Ø4x25mm	Axe creux fendu Ø4x30mm	Axe creux fendu Ø4x30mm	Axe creux fendu Ø4x30mm	1
4	T42002-7	T42002-7	T42002-7	T46002-7	Poignée de fermeture				1
5	T42002-6	T42002-6	T42002-6	T46002(CQ)-6	Manche de la poignée				1
6					Châssis				1



#	No de pièce	Description	Qtée
	T412002 T412002-1	T412002 T412002-1	
1	T412002-1	Barre à cliquet	1
2	T412002-4	Cliquet de blocage	1
3	GB879-5X35	Axe creux fendu Ø5x35mm	1
4	T412002-7	Poignée de fermeture	1
5	T412002-6	Manche de la poignée	1
6		Châssis	1
7	GB5783	Boulon à tête hexagonale M8x16mm	1

La température de fonctionnement sécuritaire se situe entre 4°C et 41°C (40°F et 105°F)

## **GARANTIE**

Ce cric de service est couvert par une garantie limitée d'un (1) an lorsqu'il est utilisé conformément aux recommandations. Seuls ces articles énumérés à l'aide d'un numéro de pièce sont disponibles pour achat. Pour obtenir de l'aide quant au fonctionnement ou à la disponibilité des pièces de rechange, communiquez avec notre Service des pièces et de garantie au 1-888-44-TORIN (1-888-448-6746). Ayez en main une copie de votre reçu, le numéro de modèle du produit, son numéro de série ainsi que des détails particuliers concernant votre question.

Ce ne sont pas tous les composants qui sont disponibles pour remplacement; les illustrations fournies offrent une référence commode quant à leur emplacement et à leur position dans la séquence de montage.

**Le fabricant se réserve le droit de modifier la conception du produit ou d'apporter sans préavis des améliorations aux gammes de produits et aux manuels.**

## **INFORMATION RELATIVE À LA GARANTIE**

Nous voulons savoir si nos produits vous posent des inquiétudes. Dans ce cas, appelez le numéro sans frais pour obtenir une aide immédiate. Pour toutes questions supplémentaires visant le service à la clientèle sur le Web, visitez la section du Service à la clientèle à l'adresse : <http://www.torin-usa.com>.

## GARANTIE LIMITÉE D'UN AN DE TORIN

Torin Inc.® fabrique des produits de réparation et d'entretien automobile de qualité depuis 1968. Tous les produits vendus sont de la meilleure qualité et sont couverts par la garantie suivante: Pendant un an à compter de la date d'achat et accompagné de la preuve d'achat, le fabricant réparera ou remplacera, à sa discrétion et sans frais, l'un de ses produits ou pièces endommagées qui est devenue défectueuse à la suite d'un défaut de matériau ou de main-d'œuvre. La garantie ne couvre pas les dommages ou défauts provoqués par une utilisation inappropriée, une utilisation négligente ou abusive de l'équipement. La garantie ne couvre pas les pièces qui peuvent normalement s'user ou être consommées pendant l'utilisation normale de l'équipement. Sauf lorsque des limitations et exclusions sont interdites spécifiquement par la loi applicable, le (1) SEUL ET EXCLUSIF RECOURS DU CONSOMMATEUR SERA LA RÉPARATION OU LE REMPLACEMENT DU PRODUIT DÉFECTUEUX DÉCRIT CI-DESSUS et (2) LE FABRICANT NE SERA EN AUCUN CAS RESPONSABLE DE DOMMAGES INDIRECTS OU CONSÉCUTIFS OU DE TOUTE PERTE et (3) LA DURÉE DE TOUTES GARANTIES ÉCRITES OU IMPLICITES, Y COMPRIS, SANS S'Y LIMITER, TOUTES GARANTIES DE COMMERCIALITÉ ET D'APTITUDE À UN BUT PARTICULIER, EST LIMITÉE À UNE PÉRIODE D'UN AN À COMPTER DE LA DATE D'ACHAT. La modification du produit de quelque façon que ce soit par un tiers autre que nous, à la seule exception de modifications effectuées en conformité de directives relatives au produit et d'une façon adaptée. Vous reconnaissez et convenez que toute utilisation du produit dans un but autre que l'emploi spécifié et énoncé dans les directives relatives au produit se fait à vos propres risques.

Vérifiez toujours s'il y a des pièces endommagées ou usées avant d'utiliser tout produit. Des pièces brisées influenceront sur le fonctionnement de l'équipement. Remplacez et réparez immédiatement les pièces endommagées ou usées. Ne modifiez d'aucune façon le produit. Une modification non autorisée peut nuire au fonctionnement ou à la sécurité et peut influencer sur la durée de vie de l'équipement. Il existe des applications particulières pour lesquelles ce produit est conçu et testé en cours de production. Les articles garantis et fournis par le fabricant ne doivent pas être réparés par un autre que le fabricant ou un réparateur agréé par le fabricant. Le distributeur n'est pas autorisé à modifier ces énoncés. Vous reconnaissez et convenez que toute modification du produit dans un but autre que les réparations effectuées par le fabricant se fait à vos propres risques. Avant d'utiliser ce produit, lisez entièrement le manuel du propriétaire et familiarisez-vous complètement avec le produit et les dangers qui se rapportent à son utilisation inappropriée. **IMPORTANT: AVANT LA PREMIÈRE UTILISATION** sur tout appareil de lavage, vérifiez si la vérification quotidienne a été effectuée et que tous les composants sont en bon ordre.

La présente garantie limitée vous donne des droits précis et vous pouvez aussi avoir d'autres droits qui peuvent varier d'état en état. Certains états ne permettent pas de limitations ou d'exclusions sur les garanties implicites ou de dommages directs ou consécutifs; les limitations précédentes peuvent donc ne pas s'appliquer à votre cas. La garantie limitée est régie par les lois de l'état de Californie, sans égard aux règles relatives aux conflits juridiques. Les tribunaux d'état situés dans San Bernardino County en Californie auront la compétence exclusive en ce qui a trait à tout différend relatif à la présente garantie.

Le fabricant se réserve le droit d'effectuer sans préavis des modifications de conception ou des améliorations à cette gamme de produits ainsi qu'au manuel. Torin fera tous les efforts pour que des instructions complètes et exactes soient incluses dans le présent manuel. Cependant, il est possible que des mises à jour, des révisions ou des changements aient eu lieu depuis la présente impression. Torin Inc. se réserve le droit de modifier les spécifications sans encourir d'obligation envers l'équipement vendu antérieurement ou subséquentement. Les erreurs typographiques ne sont pas de la responsabilité du fabricant.

Par contre, il est possible de joindre le service à la clientèle à l'adresse [www.torin-usa.com](http://www.torin-usa.com) ou par courriel à [info@torin-usa.com](mailto:info@torin-usa.com).

Ce ne sont pas tous les composants d'équipement qui sont disponibles pour remplacement, mais ils sont illustrés comme référence commode quant à leur emplacement et montage dans la séquence d'assemblage. Communiquez avec le service à la clientèle pour un composant équivalent. Lorsque vous communiquez avec nous, ayez sous la main le numéro de modèle du produit, le numéro de série et une description pour que nous puissions vous aider efficacement. Cette information se trouve sur un autocollant sur le produit.

Pour tout soutien quant à la garantie ou si votre équipement Torin® fonctionne mal, communiquez directement avec le Service à la clientèle Torin® au 1-888-44-TORIN (1-888-448-6746)

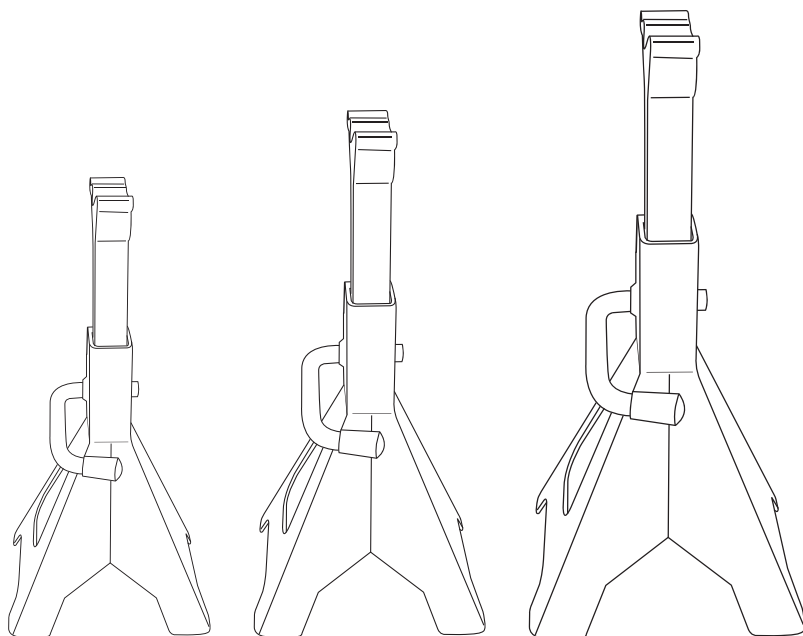
de 8 heures à 17 heures, heure du Pacifique, du lundi au vendredi



MANUAL DEL PROPIETARIO

## SOPORTE AJUSTABLE CON MATRACA

Elemento: T42002, T42002-1 T42002X, T43002, T43002-1, T43002X, T43006, T43006-1  
T46002, T46002-1, T412002, T412002-1



### ▲ ADVERTENCIA

¿Alguna pregunta o problema? ¿Le faltan piezas? Antes de recurrir a su distribuidor, llame a nuestro departamento de atención al cliente al 1-888-44-TORIN (1-888-448-6746) de lunes a viernes de 8 a. m. a 5 p. m. hora del Pacífico.

Lea atentamente y entienda todas las INSTRUCCIONES DE ENSAMBLAJE Y OPERACIÓN antes de utilizar el producto. Si no respeta las normas de seguridad y otras precauciones básicas de seguridad, pueden producirse lesiones personales graves.

Versión 20161115

## IMPORTANTE

Antes de empezar, registre este producto.

Como referencia para el futuro, registre el nombre del modelo, el número del modelo, la fecha de fabricación y la fecha de compra de este producto. Puede encontrar esta información en el producto.

Nombre del modelo \_\_\_\_\_

Número del modelo \_\_\_\_\_

Fecha de fabricación \_\_\_\_\_

Fecha de compra \_\_\_\_\_

## RESPONSABILIDAD DEL PROPIETARIO/USUARIO

**NO UTILICE NI REPARE EL PRODUCTO SIN HABER LEÍDO ESTE MANUAL.**

Lea y siga las instrucciones de seguridad. Ponga las instrucciones a disposición inmediata de los operadores. Asegúrese de que todos los operadores reciban el entrenamiento correspondiente y de que entiendan cómo utilizar el producto de forma segura y correcta. Al proceder, usted acepta que ha entendido y ha comprendido completamente la totalidad del contenido de este manual. Si no utiliza el producto correctamente, pueden producirse lesiones o la muerte. El fabricante no se hace responsable de ningún daño o lesión causados por uso inadecuado o negligencia. Utilice el producto solamente cuando todas las piezas estén en su lugar y funcionen de forma segura. Utilice solo piezas de repuesto originales. Realice una revisión y un mantenimiento del producto solo con las piezas de repuesto autorizadas o aprobadas; si se comete negligencia, no será seguro utilizar el producto y la garantía quedará anulada. Inspeccione cuidadosamente el producto con regularidad y realice todo mantenimiento que sea necesario. Guarde estas instrucciones en un lugar seco y protegido. Mantenga todas las calcomanías del producto limpias y visibles. No modifique el producto ni lo utilice para ninguna aplicación distinta a la que fue diseñado. Si tiene preguntas relacionadas a una aplicación en particular, NO utilice el producto hasta haberse contactado con el distribuidor o fabricante primero para determinar si dicha aplicación puede o debe realizarse en el producto.

Si tiene preguntas técnicas, llame al 1-888-448-6746.

## USO DEBIDO

Los Soportes de Pedestal de Matraca están diseñados para soportar una cierta capacidad de diseño, cargas parciales del vehículo consistentes en un extremo del vehículo. Use ambos pedestales para cada operación.

## ESPECIFICACIONES TÉCNICAS

Modelo	Capacidad	Rango de Elevación Min. (Pulgadas)	Rango de elevación Máx. (Pulgadas)	Rango de elevación Min. (cm)	Rango de elevación Máx. (cm)
T42002 T42002-1	2 TONELADAS	10-13/16	16-9/16	27.5	42
T42002X	2 TONELADAS	9-13/16	14-15/16	25	38
T43002 T43002-1	3 TONELADAS	11-1/4	16-3/4	28.5	42.5
T43002X	3 TONELADAS	10-5/8	16-1/8	27	41
T43006 T43006-1	3 TONELADAS	14	20-1/2	35.5	52
T46002 T46002-1	6 TONELADAS	15-3/8	23-13/16	39	60.5
T412002 T412002-1	12 TONELADAS	18-5/16	28-1/8	46.5	71.5

## REGLAS GENERALES DE SEGURIDAD

- ⚠ ADVERTENCIA:** Lea y entienda todas las instrucciones. El no seguir todas las instrucciones enlistadas abajo puede resultar en lastimaduras graves.
- ⚠ PRECAUCIÓN:** No permita que ninguna persona opere o ensamble estos pedestales de soporte de matraca hasta que hayan leído este manual y hayan desarrollado un entendimiento pleno de cómo trabaja el pedestal de soporte.
- ⚠ ADVERTENCIA:** Las advertencias, precauciones e instrucciones que se discuten en este manual de instrucciones no pueden cubrir todas las situaciones o condiciones posibles que pudieran ocurrir. El operador debe entender que el sentido común y la precaución son factores que no se pueden construir dentro de este producto, sino que el operador debe suministrarlas.

## CONSERVE ESTAS INSTRUCCIONES IMPORTANTES CONSIDERACIONES DE SEGURIDAD

### USO Y CUIDADO DE LOS SOPORTES

- No modifique los soportes de manera alguna. Cualquier modificación no autorizada puede menoscabar la función y/o la seguridad y puede afectar la vida del equipo. Hay aplicaciones específicas para las cuales se diseñaron los soportes.
- Revise siempre en busca de partes dañadas o desgastadas antes de usar los soportes. Las partes rotas afectarán la operación de los soportes. Reemplace o repare inmediatamente las partes rotas o desgastadas.
- Almacene los soportes que no estén en uso. Cuando los soportes no estén en uso, almacénelos en un lugar seguro fuera del alcance de los niños. Inspecciónelos para asegurar que estén en buenas condiciones de trabajo antes de almacenarlos y antes de volver a usarlos.
- ⚠ ADVERTENCIA:** NUNCA use soportes para automóvil para soportar ambos extremos o un lado de un vehículo.  
**ADVERTENCIA:** NUNCA use los soportes en una cortadora de pasto o en un tractor corta-pasto. Use solamente 1 par por vehículo. ¡La capacidad de diseño es únicamente por par!

### INSPECCIÓN

- Inspeccione los soportes de gato cuidadosamente antes de cada uso. Asegúrese de que los soportes de gato no estén dañados, desgastados en exceso o que haya piezas faltantes.
- No se use si los componentes están doblados, rotos o estrellados.
- El uso de soportes de gato que no estén en condiciones de trabajo limpias pueden causar heridas serias.
- Inspeccione el área de trabajo antes de cada uso. Asegúrese de que esté libre de cualquier peligro potencial.

### NO UTILICE NI REPARE EL EQUIPO SIN HABER LEÍDO ESTE MANUAL.

Para mantener la seguridad del usuario y el gato de servicio, es responsabilidad del propietario leer y seguir estas instrucciones.

- Inspeccione el gato de servicio para verificar su operación y funcionamiento correctos.
- Ponga las instrucciones a disposición inmediata de los operadores del equipo.
- Asegúrese de que todos los operadores de equipos reciban el entrenamiento correspondiente y de que entiendan cómo utilizar el producto de forma segura y correcta.
- Utilice el producto solamente cuando todas las piezas estén en su lugar y funcionen de forma correcta.
- Utilice solo piezas de repuesto originales.
- Realice una revisión y un mantenimiento del producto solo con las piezas de repuesto autorizadas o aprobadas; si se comete negligencia, no será seguro utilizar el gato y la garantía quedará anulada.
- Inspeccione cuidadosamente el producto con regularidad y realice todo mantenimiento que sea necesario.
- Guarde estas instrucciones en la palanca de su gato.
- Mantenga todas las calcomanías de la unidad limpias y visibles.

## MARCAS DE SEGURIDAD

### **ADVERTENCIA!**

1. Estudie, comprenda y siga todas las instrucciones antes de operar este equipo.
2. No exceda la capacidad nominal.
3. Use solamente sobre superficies firmes y niveladas con menos de 3° de inclinación.
4. Centre la carga sobre la silleta.
5. Use solamente torres con la misma capacidad al mismo tiempo
6. Las torres no deberán ser usadas para soportar ambos extremos de un vehículo de forma simultánea.
7. Este producto no deberá de ser modificado.
8. Apóyese solo en las zonas del vehículo especificadas por el fabricante.
9. Solamente se deberán usar adaptadores provistos por el fabricante.
10. Bloquee las ruedas contrarias con algún soporte adecuado antes de usar las torres.
11. No use las torres para ningún otro fin que el especificado por el fabricante.
12. No use las torres si se encuentran dañadas.
13. NUNCA use torres en podadoras o tractores de poda.
14. No mueva o arrastre el vehículo mientras está soportado sobre las torres.
15. No permita que el vehículo se balancee mientras realiza trabajos sobre o alrededor del equipamiento.
16. No se recomienda usar este equipamiento para sostener los siguientes: cimientos, casas, casas rodantes, remolques, camionetas, campers, autocaravanas, etc...
17. El omitir cumplir con cualquiera de estas recomendaciones puede resultar en heridas o daños a la propiedad.

### **ADVERTENCIA!**

NO USE bloques de madera ni ningún otro dispositivo para soportar cargas no aprobado como medio para levantar o soportar un vehículo o carga a levantar. El fabricante solamente garantiza las cargas a sostener o soportar mediante adaptadores o accesorios validados por el fabricante. La falla en atender estas advertencias puede provocar lastimaduras o la muerte.

### **INSTRUCCIONES GENERALES DE SEGURIDAD:**

#### **Entrenamiento**

No permita que nadie que no haya leído este manual y/o que no entienda los requerimientos use este producto.

#### **Espectadores**

No permita mirones alrededor o debajo de la carga soportada. No permita que nadie esté dentro de un vehículo mientras está levantado o soportando una carga. Mantenga a todos los mirones lejos del mecanismo de levantamiento mientras está en uso.


#### **Operadores**

Esto no es para que lo usen niños o personas con capacidad mental reducida.

NUNCA lo use en estado inconveniente o bajo la influencia de medicina, drogas o alcohol.

#### **Inspección**

Inspeccione cuidadosamente el producto antes de cada uso. Asegúrese de que el producto no está dañado, excesivamente desgastado o que tenga piezas faltantes. No se use el elevador a menos de que esté adecuadamente lubricado. El uso de un elevador que no esté en perfectas condiciones de trabajo puede causar lastimaduras serias.

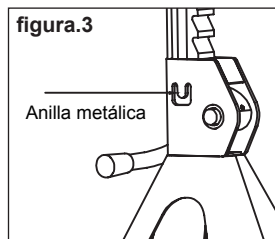
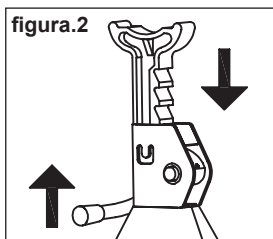
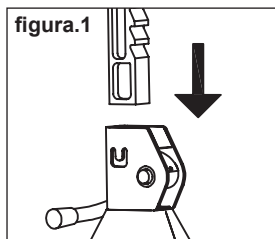
 **ADVERTENCIA:** Asegúrese de que todas las herramientas y el personal estén a distancia antes de bajar la carga. Use solamente accesorios y/o adaptadores suministrados por el fabricante. Apoye solamente en las áreas del vehículo especificadas por el fabricante del vehículo.

## INSTRUCCIONES DE ENSAMBLE

Con el fin de prevenir que el poste sea removido de la base, use un martillo y un punzón plano para martillar la lengüeta del gato hacia adentro, hacia el poste pero sin tocar el poste. Si algunos pedestales están equipados con un tornillo en vez de lengüeta. En este caso, se puede atornillar el tornillo hacia adentro hasta que entre por completo.

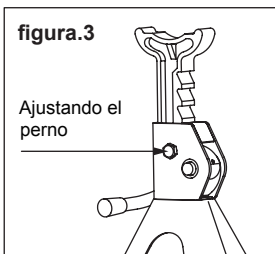
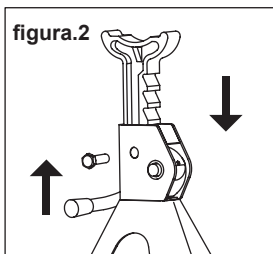
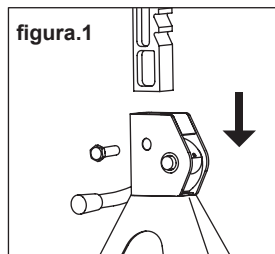
Elemento: T42002, T42002-1 T42002X, T43002, T43002-1, T43002X, T43006, T46002, T46002-1

1. Instale la barra de matraca en el marco (fig. 1) con la parte de la matraca alineada con el trinquete de fijación (tarugo).
2. Mueva la barra de matraca a su posición más baja levantando la manivela de fijación, soltando así el tarugo y guiando la barra hacia abajo (fig.2).
3. Doble la lengüeta metálica hacia adentro (fig. 3) usando un martillo y un punzón plano. Esto ayudará a evitar la separación inadvertida de la barra de matraca del marco base.



Elemento: T412002, T412002-1

1. Instale la barra de matraca en el marco (fig. 1) con la parte de la matraca alineada con el trinquete de fijación (tarugo).
2. Mueva la barra de matraca a su posición más baja levantando la manivela de fijación, soltando así el tarugo y guiando la barra hacia abajo (fig.2).
3. Ajustando el perno (Fig.3) usando una llave de ajuste. Esto ayudará a evitar que la barra del trinquete se separe inadvertidamente de la base del armazón.



## INSTRUCCIONES DE OPERACIÓN

- El producto y las instrucciones de seguridad deben ser leídas y discutidas por el comprador/propietario o su designado con el operador en el idioma materno del operador, asegurándose de que el operador comprende su contenido.
  - Se debe llevar a cabo una inspección visual antes de cada uso del pedestal, revisando por condiciones anormales tales como soldaduras estrelladas, fugas y partes dañadas, sueltas o faltantes. Si se piensa que haya estado sujeto a cargas anormales o golpes, la inspección debe llevarse a cabo por algún taller de reparaciones autorizado.
  - Se debe retirar del servicio cualquier equipo que aparezca dañado o desgastado o que opere anormalmente.
1. Úsese sobre superficies niveladas con menos de 3 grados de pendiente.
  2. Levante el vehículo con un gato apropiado.
  3. Ajuste la altura jalando la barra de matraca hacia arriba.
  4. El uso de la manivela de fijación debe asegurar la barra en la posición deseada. Para confirmar esto, simplemente empuje hacia abajo la manivela de fijación. Verifique que la matraca está asegurada antes de cargar el peso en ella.
  5. Posicione cuidadosamente los pedestales de gato a modo que la carga esté centrada en la silla del pedestal.
  6. Lentamente, baje el vehículo a los pedestales.
  7. Revise para asegurarse de que el vehículo está seguro antes de trabajar en, alrededor de o debajo del vehículo. Cuando se usen para soportar un vehículo, use calzas para ruedas en todas las ruedas que no estén levantas, en ambas direcciones, para prevenir cualquier movimiento imprevisto.
  8. NO levante ni arrastre el vehículo mientras los soportes de gato están cargando el vehículo.

### PARA BAJAR LA CARGA

1. Asegúrese de que todas las herramientas, equipo y personal estén a distancia antes de bajar la carga.
2. Con un gato apropiado, levante el vehículo para quitarlo de los pedestales.
3. Cuidadosamente, libere la el tarugo y permita que la barra de matraca se deslice hacia abajo hasta su posición más baja.
4. Retire cuidadosamente los pedestales y luego baje cuidadosamente el vehículo con el gato.

## INSTRUCCIONES DE MANTENIMIENTO

- **Manteniendo su gato.** Se recomienda examinar la condición general de cualquier gato antes de usarlo. Mantenga su gato bien reparado adoptando un programa de reparación y mantenimiento a conciencia. Haga que todas las reparaciones necesarias sean hechas por personal de servicio calificado.
- Siga cuidadosamente las instrucciones de mantenimiento para mantener su equipo en buenas condiciones de trabajo. Nunca haga un mantenimiento del equipo mientras está sosteniendo una carga.
  - a. Todas las partes móviles del gato deben limpiarse periódicamente.
  - b. Lubrique las partes siguiendo las especificaciones del fabricante. El tipo de lubricante se elegirá siguiendo las especificaciones del fabricante o de una persona calificada. Los sistemas de lubricación deberán ser revisados para constatar que su funcionamiento sea apropiado.
  - c. Si fuera necesario un mantenimiento adicional, deberá llevarse a cabo en cumplimiento de las instrucciones del fabricante o de una persona calificada.

### Inspección

Usted deberá inspeccionar el producto para detectar daños, partes gastadas, rotas o faltantes (Por ejemplo: clavijas) y que todos los componentes funcionen antes de cada uso. Siga las instrucciones de lubricación y almacenaje para un óptimo desempeño del producto. Revise los pernos de elevación para asegurarse de que no están desgastados o dañados. Compruebe que todo esté en buenas condiciones de operación y que no haya nada bloqueando los orificios. No utilice el gato a menos que esté en buenas condiciones de operación.

### Pegado

Si el gato se pega y atora mientras sostiene una carga, use un equipo de igual o mayor capacidad de carga para bajar la carga en forma segura hasta el suelo. Después de desatorarlo: límpielo, lubríquelo y pruebe que el equipo esté funcionando apropiadamente. Componentes oxidados, partes sucias o gastadas pueden ser causa de atoramiento. Limpie y lubrique el equipo como se indica en la sección de Lubricación. Pruebe el equipo levantándolo sin una carga. Si el atoramiento continúa contacte al Servicio de Asistencia al Cliente.

### SI SU GATO SE PEGA O ATORA

Con el paso del tiempo, las roscas del gato pueden comenzar a atorarse. Esto evitará que el gato funcione correctamente y en forma segura. Las roscas oxidadas, sucias, o desgastadas pueden causar atoramiento. Limpie y lubrique el mecanismo de elevación. Pruebe el gato, levantándolo sin una carga. Si continúa el pegado, diríjase al sector de venta de partes y servicio. Si su gato se atora mientras está sosteniendo una carga, utilice un gato con capacidad de carga igual o mayor para bajar la carga con seguridad al suelo. Repita los pasos del párrafo con instrucciones para el gato atorado.

### Limpieza

Si las partes móviles del gato estuvieran obstruidas, use un solvente limpiador u otro buen desengrasante para limpiar el equipo. Remueva cualquier óxido existente con un lubricante penetrante.

### No use aceite ni grasa de motor para lubricar el gato

#### Prevención de oxidación:

-Revise diariamente para detectar cualquier signo de oxidación o corrosión.

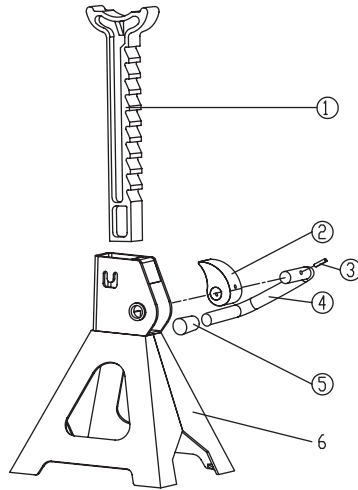
Sin una carga, levante el gato tan alto como llegue y mire debajo y detrás de los puntos de elevación. Si detecta signos visibles de oxidación, limpie cuanto sea necesario.

#### Almacenando el gato

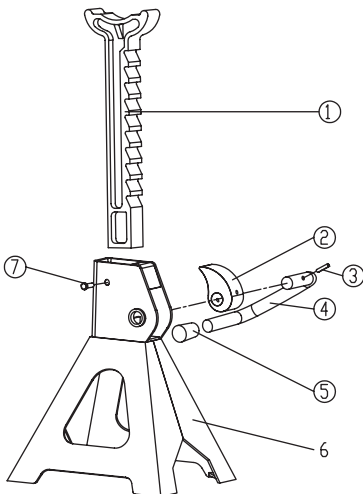
1. Guárdelo en un sitio seco, recomendamos un ambiente interior.
2. Los gatos mecánicos deben ser almacenados en un área en la cual no puedan sufrir daños.
3. Si el almacenaje incluye temperaturas extremas o entornos abrasivos o químicamente activos, deberán seguirse los lineamientos proporcionados aquí.
4. Temperatura – Cuando los gatos mecánicos deban utilizarse a temperaturas superiores a 140 °F (60° C) o por debajo de -20 °F (-29° C), se deberá consultar al fabricante del gato o a una persona calificada.
5. Entornos Químicamente Activos -La resistencia y la operación de los gatos mecánicos pueden ser afectadas por ambientes químicamente activos, tales como sustancias o vapores cáusticos o ácidos. Se deberá consultar al fabricante del gato o a una persona calificada antes de utilizar gatos mecánicos en ambientes químicamente activos.
6. Otros entornos – Los mecanismos internos de los gatos pueden verse afectados por alta humedad, grava o arena, lodo, arenilla, o cualquier aire cargado de polvo. Los gatos sujetos a estos ambientes deberán mantener sus componentes internos limpios, inspeccionados y lubricados con frecuencia.

*Nota: Si almacena el gato en un ambiente exterior, asegúrese de lubricar todas las partes antes y después del uso para asegurarse de que el gato permanezca en buenas condiciones de funcionamiento.*

# DIAGRAMA DE ENSAMBLE



#	PARTE No.#				DESCRIPCION				CANT.
	T42002 T42002-1	T43002 T43002-1	T43006 T43006-1	T46002 T46002-1	T42002 T42002-1	T43002 T43002-1	T43006 T43006-1	T46002 T46002-1	
1	T42002C-1	T43002C-1	T43006-1	T46002C-1	Barra de trinquete				1
2	T42002-4	T43002-4	T43006-4	T46002-4	Gatillo de bloqueo				1
3	GB879-4X25	GB879-4X30	GB879-4X30	GB879-4X30	Pasador elástico Ø4x25mm	Pasador elástico Ø4x30mm	Pasador elástico Ø4x30mm	Pasador elástico Ø4x30mm	1
4	T42002-7	T42002-7	T42002-7	T46002-7	Palanca de bloqueo				1
5	T42002-6	T42002-6	T42002-6	T46002(CQ)-6	Casquillo de la palanca				1
6					Armazón de la base				1



#	PARTE No.#	DESCRIPCION	CANT.
	T412002 T412002-1	T412002 T412002-1	
1	T412002-1	Barra de trinquete	1
2	T412002-4	Gatillo de bloqueo	1
3	GB879-5X35	Pasador elástico Ø5x35mm	1
4	T412002-7	Palanca de bloqueo	1
5	T412002-6	Casquillo de la palanca	1
6		Armazón de la base	1
7	GB5783	Perno de cabeza hexagonal M8x16mm	1

La temperatura de funcionamiento segura está entre 40 °F y 105 °F (4 °C y 41 °C).

## AVISO DE GARANTÍA

Este gato de servicio está cubierto por una garantía limitada de 1 año cuando se utiliza según lo recomendado. Únicamente los artículos que figuran con un número de pieza están disponibles para compra. Para obtener ayuda con la operación o la disponibilidad de las piezas de repuesto, comuníquese con nuestro departamento de piezas y garantía al 1-888-44-TORIN (1-888-448-6746). Tenga a mano una copia de su recibo, el número de modelo del producto, el número de serie y detalles específicos relacionados con su pregunta.

No se dispone de repuestos para todos los componentes del equipo; las ilustraciones provistas son una referencia conveniente de la ubicación y la posición en la secuencia de ensamblaje.

**El fabricante se reserva el derecho de realizar cambios de diseño o mejoras en las líneas de productos y manuales sin previo aviso.**

## INFORMACIÓN DE GARANTÍA

Deseamos saber si tiene alguna inquietud sobre nuestros productos. De ser así, llame a la línea gratuita para obtener ayuda de inmediato. Si tiene consultas adicionales sobre la ayuda de asistencia al cliente en línea, visite la sección de servicio al cliente en <http://www.torin-usa.com>.

## GARANTÍA LIMITADA DE UN AÑO DE TORIN

Desde 1968 Torin Inc.® fabrica productos de reparación y mantenimiento automotriz de calidad. Todos los productos vendidos se consideran como productos de la más alta calidad y están cubiertos por la siguiente garantía:

Con el comprobante de compra y durante el período de un año desde la fecha de la compra, el fabricante reparará o reemplazará, a su criterio y sin cobro, cualquiera de sus productos o piezas que fallen debido a un defecto de material o fabricación. Esta garantía no cubre daños o defectos causados por un uso inapropiado, negligente o uso indebido del equipo. Esta garantía no cubre piezas que normalmente se desgastan o consumen durante el funcionamiento normal del equipo. A excepción de las disposiciones en las que dichas limitaciones y exclusiones estén específicamente prohibidas por la ley aplicable, (1) LA ÚNICA Y EXCLUSIVA COMPENSACIÓN PARA EL CONSUMIDOR SERÁ LA REPARACIÓN O EL REEMPLAZO DE LOS PRODUCTOS DEFECTUOSOS SEGÚN LO DESCRITO ANTERIORMENTE y (2) EL FABRICANTE NO SERÁ RESPONSABLE DE NINGÚN DAÑO O PÉRDIDA RESULTANTE O CASUAL, y (3) LA DURACIÓN DE TODAS LAS GARANTÍAS EXPRESAS E IMPLÍCITAS —QUE INCLUYEN PERO NO SE LIMITAN A CUALQUIER GARANTÍA DE COMERCIABILIDAD E IDONEIDAD PARA UN PROPÓSITO PARTICULAR— SE LIMITA A UN PERÍODO DE UN AÑO DESDE LA FECHA DE COMPRA. La alteración del producto de cualquier manera por parte de cualquier persona que no seamos nosotros, con la única excepción de alteraciones que guardan conformidad con las instrucciones del producto y que se realizan de manera profesional. Usted reconoce y acepta que cualquier uso del producto para cualquier fin distinto a los usos especificados en las instrucciones del producto corre por SU cuenta y riesgo.

Siempre revise si hay piezas dañadas o desgastadas antes de utilizar cualquier producto. Las piezas averiadas afectarán el funcionamiento del equipo. Reemplace o repare las piezas dañadas o desgastadas de inmediato. No modifique el producto de ninguna manera. Cualquier modificación no autorizada puede alterar el funcionamiento o la seguridad y podría afectar la vida útil del equipo. Existen aplicaciones específicas para las que los productos han sido diseñados y probados durante la producción. No se autoriza que los elementos bajo garantía provistos por el fabricante sean reparados por alguna persona que no sea el fabricante o una persona autorizada por el fabricante. El distribuidor no tiene autorización para modificar estas declaraciones. Usted reconoce y acepta que cualquier modificación del producto para cualquier fin que no sean las reparaciones realizadas por el fabricante corre por su cuenta y riesgo. Antes de utilizar este producto, lea todo el manual del propietario y familiarícese bien con el producto y los peligros asociados a su uso incorrecto.

**IMPORTANTE: ANTES DEL PRIMER USO, verifique que se haya completado una inspección diaria y que todos los componentes estén funcionando correctamente.**

Esta garantía limitada le otorga derechos legales específicos, y usted también puede tener otros derechos que varían según cada estado. Algunos estados no permiten limitaciones o exclusiones sobre las garantías implícitas o casuales o resultantes, por lo que posiblemente las limitaciones anteriores no se apliquen a SU caso. Esta garantía limitada está regida por las leyes del estado de California, sin tomar en consideración las normas relativas a conflictos de leyes. Los tribunales estatales ubicados en el condado de San Bernardino, California, tendrán jurisdicción exclusiva sobre cualquier disputa relacionada con esta garantía.

El fabricante se reserva el derecho de realizar cambios de diseño o mejoras en esta línea de productos y en este manual sin previo aviso. En Torin, hemos hecho nuestro mayor esfuerzo por garantizar que se incluyan instrucciones completas y exactas en este manual. Sin embargo, probablemente se hayan efectuado posibles actualizaciones, revisiones o cambios desde esta publicación. Torin Inc. se reserva el derecho de cambiar las especificaciones sin incurrir en ninguna obligación con respecto al equipo vendido anteriormente o posteriormente. No se hace responsable de los errores tipográficos.

Como otra alternativa, puede recurrir al Servicio de Atención al Cliente en [www.torin-usa.com](http://www.torin-usa.com) o vía correo electrónico a [info@torin-usa.com](mailto:info@torin-usa.com)

No se ofrece reemplazo para todos los componentes del equipo, pero estos se ilustran como referencia conveniente de la ubicación y la posición en la secuencia de ensamblaje. Comuníquese con el Servicio de Atención al Cliente para conocer componentes equivalentes. Cuando se comunique con nosotros, tenga a la mano el número de modelo, el número de serie y la descripción de su producto para que podamos ayudarlo de manera eficiente. Puede encontrar esta información en una calcomanía adherida al producto.

Para recibir apoyo sobre la garantía o si su equipo Torin® no funciona correctamente, comuníquese con el Servicio de Atención al Cliente de Torin® directamente por teléfono al 1-888-44-TORIN (1-888-448-6746) de lunes a viernes de 8:00 a. m. a 5 p. m. hora del Pacífico.



Contact Torin® Customer Service directly by telephone at:  
1-888-44-TORIN (1-888-448-6746)  
8:00am – 5:00pm Pacific Time, Monday – Friday

Communiquez directement avec le Service à la clientèle Torin® au:  
1-888-44-TORIN (1-888-448-6746)  
De 8 heures à 17 heures, heure du Pacifique, du lundi au vendredi

Comuníquese con el Servicio de Atención al Cliente de Torin® directamente por teléfono al:  
1-888-44-TORIN (1-888-448-6746)  
De lunes a viernes de 8:00 a. m. a 5 p. m. hora del Pacífico

**Torin Inc.**  
**4355 E. Brickell Street Ontario, CA USA**  
**[www.torin-usa.com](http://www.torin-usa.com)**  
**Made in China - Fabriqué en Chine - Hecho en China**

