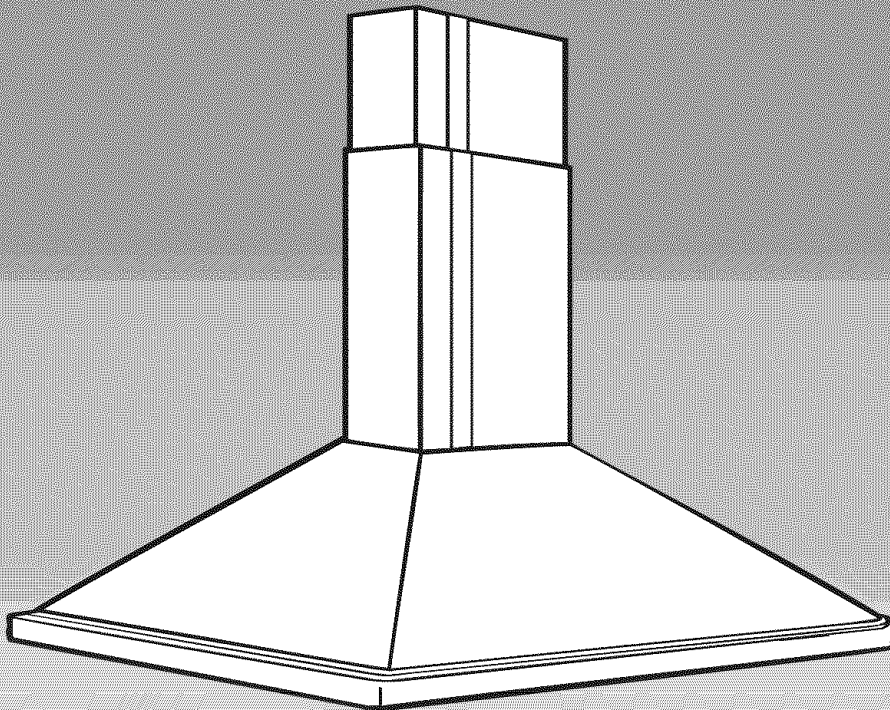


Installation Instructions and Use and Care Guide



36" (91.4 cm)
48" (121.9 cm)

Island Canopy Range Hood

IMPORTANT:
Read and save
these instructions.

IMPORTANT:

Installer: Leave Installation Instructions with the homeowner.

Homeowner: Keep Installation Instructions for future reference.

Save Installation Instructions for local electrical inspector's use.

Quick Reference

Table of Contents:


Pages

2	Before you start
3	Product dimensions
3	Cabinet dimensions
3	Venting requirements
5	Electrical requirements
5 - 7	Installation steps
8	Use and Care Information
9	Wiring diagram
9	Accessories
10	Warranty
11 - 12	Requesting Assistance or Service

Before you start...

Your safety and the safety of others is very important.

We have provided many important safety messages in this manual and on your appliance. Always read and obey all safety messages.

 This is the safety alert symbol. This symbol alerts you to potential hazards that can kill or hurt you and others. All safety messages will follow the safety alert symbol and either the word "DANGER" or "WARNING". These words mean:

DANGER

You can be killed or seriously injured if you don't immediately follow instructions.

WARNING

You can be killed or seriously injured if you don't follow instructions.

All safety messages will tell you what the potential hazard is, tell you how to reduce the chance of injury, and tell you what can happen if the instructions are not followed.

Important: Observe all governing codes and ordinances.

Proper installation is your responsibility:

- Have a qualified technician install this range hood.
- Comply with installation clearances specified on the model/serial rating plate.

Model/serial rating plate is located inside the range hood on the rear wall.

Island canopy hood location should be away from strong draft areas, such as windows, doors and strong heating vents.

Grounded electrical outlet is required. See "Electrical requirements."

Note: The island canopy hood is factory set for venting through the roof or wall. For non-vented (recirculating) installations see "Non-Vented (Recirculating) Kits" on the back page.

All openings in ceiling and wall where range hood will be installed must be sealed.

WARNING – TO REDUCE THE RISK OF FIRE, ELECTRIC SHOCK, OR INJURY TO PERSONS, OBSERVE THE FOLLOWING:

Installation work and electrical wiring must be done by qualified person(s) in accordance with all applicable Codes and Standards, including Fire Rated Construction. The combustion airflow needed for safe operation of fuel-burning equipment may be affected by this unit's operation. Follow the heating equipment manufacturer's guideline and safety standards such as those published by the National Fire Protection Association (NFPA), and the American Society of Heating, Refrigeration and Air Conditioning Engineers (ASHRAE), and the local code authorities.

When cutting or drilling into wall or ceiling, do not damage electrical wiring and other hidden utilities.

Ducted fans must always be vented to the outdoors.

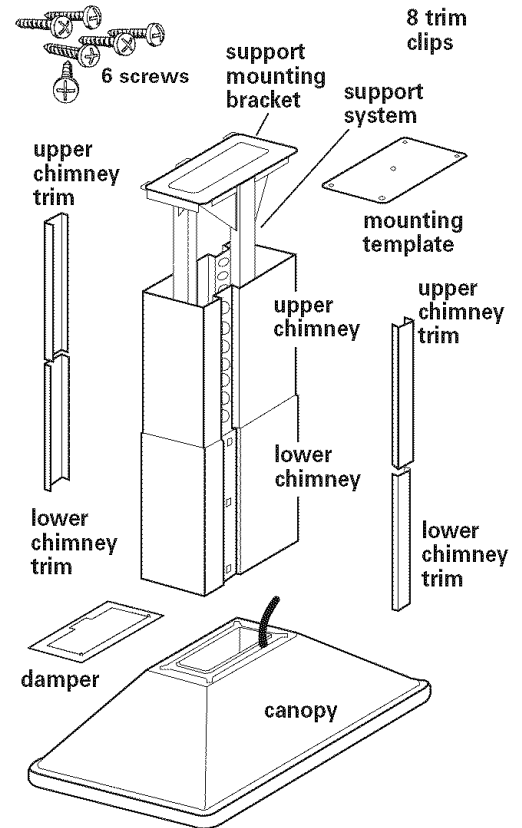
WARNING – To reduce the risk of fire, use only metal ductwork.

This unit must be grounded.

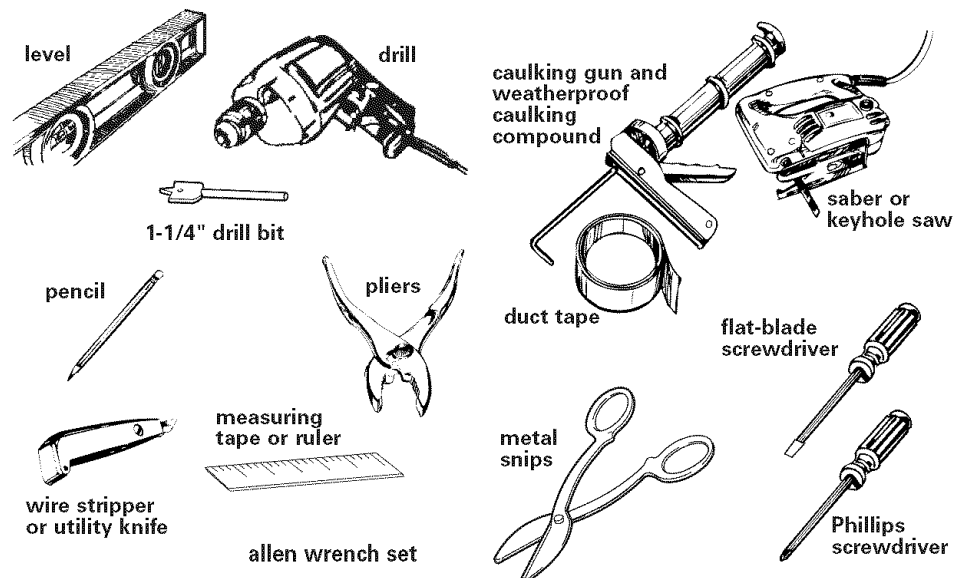
Parts needed:

- 2 U.L.- or C.S.A.- listed, 1/2" (12.5 mm) conduit connectors
- power supply cable
- 1 wall or roof cap
- metal vent system

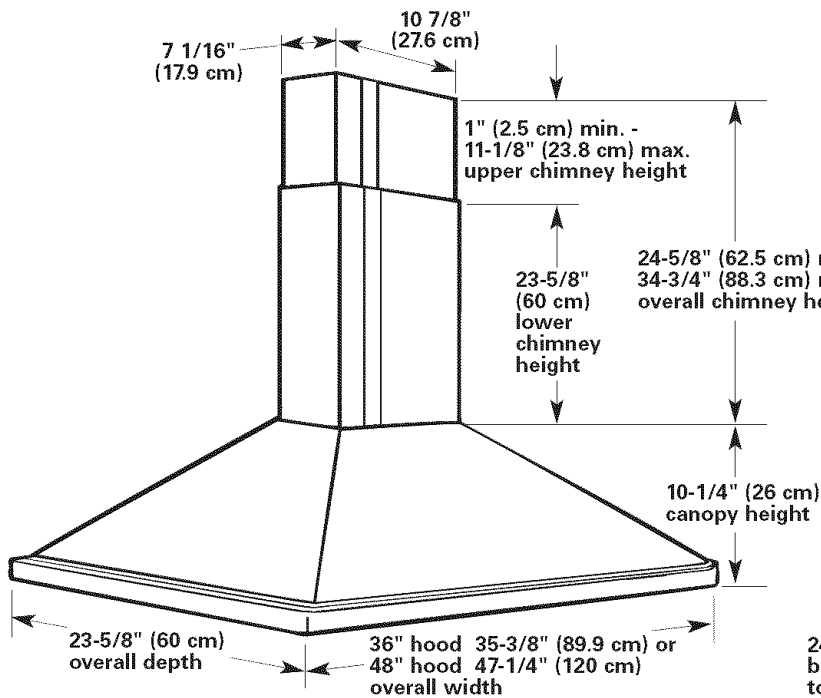
Parts supplied:



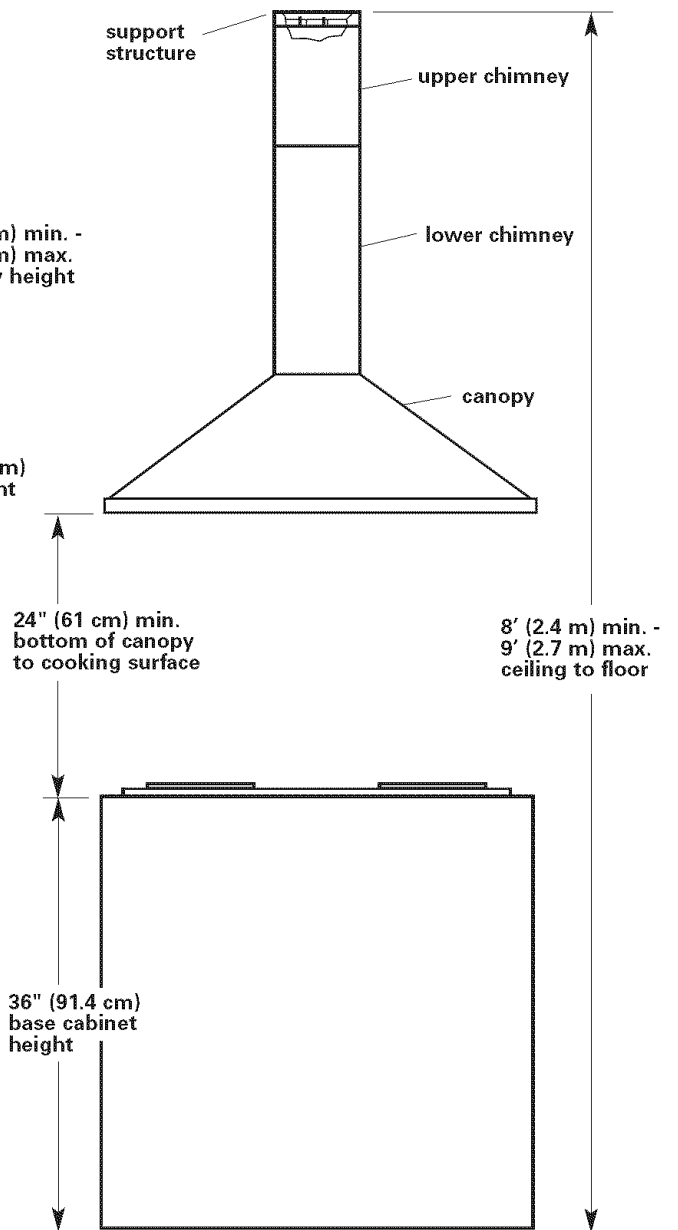
Tools needed:



Product dimensions



Cabinet dimensions



Venting requirements

Vent system must terminate to the outside.

Do not terminate the vent system in an attic or other enclosed area.

Do not use 4" (10.2 cm) laundry-type wall caps.

Use metal vent only. Rigid metal vent is recommended. Do not use plastic or metal foil vent.

For the most efficient and quiet operation:

- It is recommended that the range hood be vented vertically through the roof through 9" (22.9 cm) round metal ventwork.
- The size of the vent should be uniform.
- Use no more than three 90° elbows.
- Make sure there is a minimum of 24" (61 cm) of straight vent between the elbows if more than one elbow is used.
- Do Not install two elbows together.
- The length of vent system and number of elbows should be kept to a minimum to provide efficient performance.
- The vent system must have a damper. If roof or wall cap has a damper, Do Not use damper supplied with the range hood.
- Use duct tape to seal all joints in the vent system.
- Use caulking to seal exterior wall or roof opening around the cap.

Determine which venting method is best for your application and follow "Preparation" under "Installation steps" on Page 5.

Venting methods

This island canopy range hood is factory set for venting through the roof or wall. For non-vented (recirculating) installations, see "Non-Vented (Recirculating) Kits" on back page.

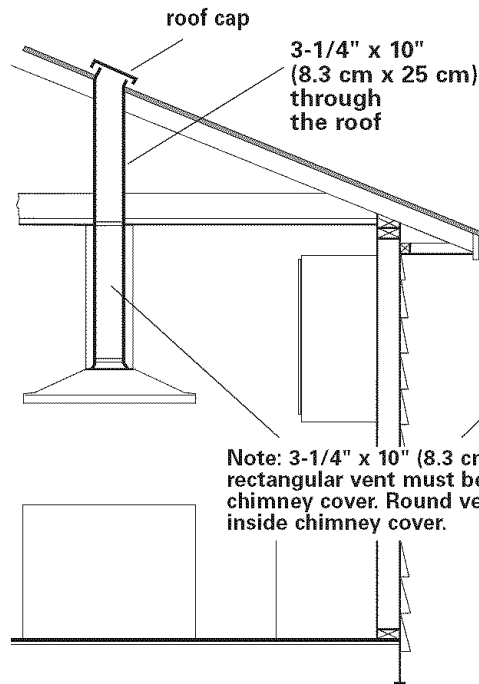
Vent system needed for installation is not included. 3-1/4" x 10" (8.3 cm x 25 cm) rectangular, 7" (17.8 cm) round, 8" (20.3 cm) round or 9" (22.9 cm) round vent may be used. The hood exhaust opening is 3-1/4" x 10" (8.3 cm x 25 cm).

Ventwork can terminate either through the roof or wall. To vent through a wall, a 90° elbow is needed.

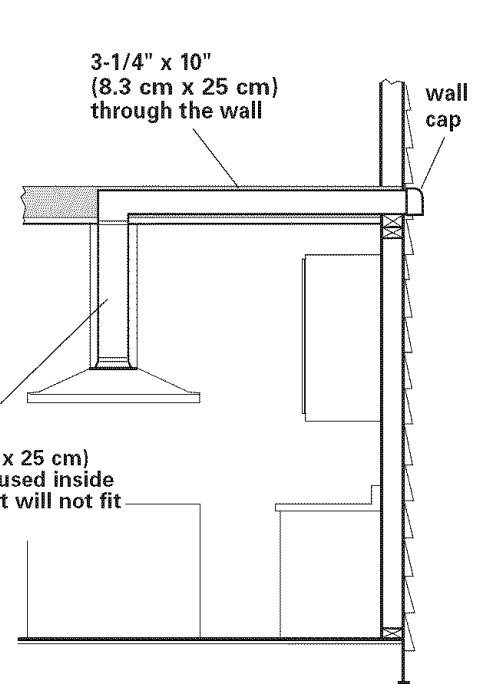
The vent system length should not exceed the lengths shown in the chart below.

Vent size	Maximum length
3-1/4" x 10" (8.3 cm x 25 cm)	35 ft. (10.7 m)
7" (17.8 cm) round	40 ft. (12.2 m)
8" (20.3 cm) round	50 ft. (15.2 m)
9" (22.9 cm) round	60 ft. (18.3 m)

Vertical roof venting



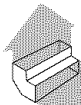

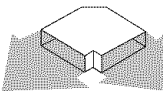
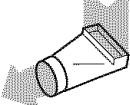
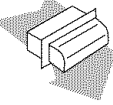


Horizontal wall venting

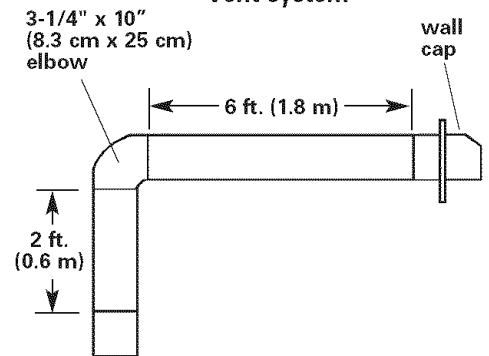


Calculating the vent system length

To calculate the length of the system you need, add the equivalent feet for each vent piece used in the system.

Vent Piece	3-1/4" x 10" (8.3 cm x 25 cm) Rectangular	7" (17.8 cm), 8" (20.3 cm) or 9" (22.9 cm) Round
45° elbow	7.0 feet (2.1 m) 	2.5 feet (0.8 cm) 
90° elbow	5.0 feet (1.5 m) 	5.0 feet (1.5 m) 
90° flat elbow	12.0 feet (3.7 m) 	
transition to round	5.0 feet (1.5 m) 	
wall cap	0.0 feet (0.0 m) 	

3-1/4" x 10" (8.3 cm x 25 cm) vent system



Maximum length	= 35 ft. (10.7 m)
1 – 90° elbow	= 5 ft. (1.5 m)
8 ft. (2.4 m) straight	= 8 ft. (2.4 m)
1 – wall cap	= 0 ft. (0 m)
Length of 3-1/4" x 10" (8.3 cm x 25 cm) system	= 13 ft. (4 m)

Note: Flexible vent is Not recommended.

If it is used, each foot of flexible vent used is equivalent to two feet (61 cm) of straight metal vent when calculating the vent system length. (Example: A flexible elbow equals two standard elbows.)

Electrical requirements

Important: Observe all governing codes and ordinances.

It is the customer's responsibility:

- To contact a qualified electrical installer.
- To assure that the electrical installation is adequate and in conformance with National Electrical Code, ANSI/NFPA 70 — latest edition*, or CSA Standards C22.1-94, Canadian Electrical Code, Part 1 and C22.2 No.0-M91 - latest edition** and all local codes and ordinances.

If codes permit and a separate ground wire is used, it is recommended that a qualified electrician determine that the ground path is adequate.

A 120-volt, 60 Hz, AC-only, fused electrical supply is required on a

separate 15-amp circuit, fused on both sides of the line.

Do not ground to a gas pipe.

Check with a qualified electrician if you are not sure range hood is properly grounded.

Do not have a fuse in the neutral or ground circuit.

IMPORTANT:

Save Installation Instructions for electrical inspector's use.

The range hood must be connected with copper wire only.

The range hood should be connected directly to the fused disconnect (or circuit breaker) box through flexible armored or nonmetallic sheathed copper cable. A U.L.- or C.S.A.- listed strain relief must be provided at each end of the power

supply cable. Wire sizes (COPPER WIRE ONLY) and connections must conform with the rating of the appliance as specified on the model/serial rating plate.

Wire sizes must conform to the requirements of the National Electrical Code ANSI/NFPA 70 — latest edition*, or CSA Standards C22.1-94, Canadian Electrical Code Part 1 and C22.2 No. 0-M91 - latest edition** and all local codes and ordinances.

A U.L.- or C.S.A.- listed conduit connector must be provided at each end of the power supply cable (at the range hood and at the junction box).

Copies of the standards listed may be obtained from:

* National Fire Protection Association
Batterymarch Park
Quincy, Massachusetts 02269

** CSA International
8501 East Pleasant Valley Road
Cleveland, Ohio 44131-5575

Installation steps

Preparation

Because of the size and weight of this island canopy hood, the support system must be securely attached to the ceiling.

- For plaster or sheet rock ceilings, the support must be attached to joists.
- If this is not possible, you must build a support structure behind the plaster or sheet rock.

Do Not cut a joist or stud unless absolutely necessary. If a joist or stud must be cut, then a supporting frame must be constructed.

Before making cutouts, make sure there is proper clearance within the ceiling or wall for exhaust vent.

1. Put a thick, protective covering over countertop, cooktop or range to protect from damage or dirt. Select a flat surface for assembling the unit. Cover that surface with a protective covering and place all hood parts and hardware on it.

2. Determine and mark the centerline on the ceiling where the range hood will be installed.

3. Using the mounting template, mark the location of the support mounting bracket holes, vent cutout (if used) and power supply cable cutout on the ceiling. Use 1-1/4" (3.2 cm) drill and saber saw or keyhole saw to cut openings for power supply cable and vent. (See "Venting requirements" and "Electrical requirements," Pages 3-5.

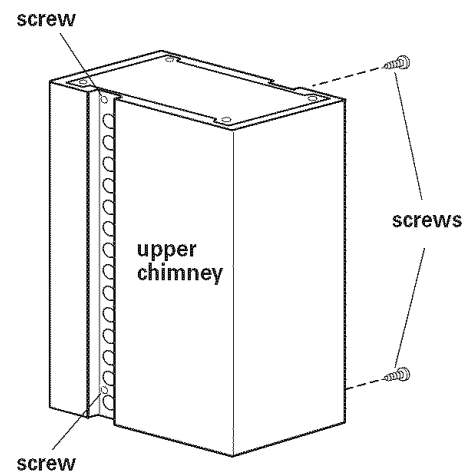
4. If venting to the outside install vent system. (See "Venting requirements," Page 3.) Use caulking to seal exterior wall or roof openings.

5. Run wiring through ceiling according to the National Electrical Code or CSA Standards and local codes and ordinances. There must be enough power supply cable from the fused disconnect (or circuit breaker) box to make the connections in the hood's terminal box.

Do Not turn on power until installation is completed.

Use caulking to seal all openings.

Installation

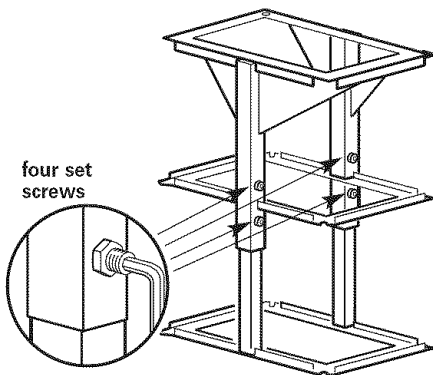


6. Remove the four screws on the upper chimney and disassemble chimney pieces from support frame.

7. Align support mounting bracket with holes in ceiling. Attach support system frame to ceiling using anchors recommended for your type of ceiling:

- **Concrete ceiling** — use inserts and screws provided.
- **Wood ceiling** — use 4" (10.2 cm) long wood screws.
- **Plaster or sheet rock ceiling** — attach support mounting bracket to ceiling joists if possible. If ceiling joists are not available, you must build a supporting structure behind the plaster or sheet rock.

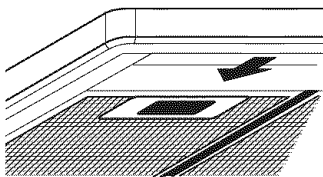
Make sure the support is connected firmly to ceiling.



8. Determine the height of the canopy. The range hood requires at least 24" (61 cm) of clearance between bottom of range hood canopy and cooking surface.

The bottom of the canopy will be approximately 9" (22.9 cm) below the bottom of the support system. To change the canopy height, loosen the four set screws on the support frame. Adjust support frame to the desired length and tighten all four set screws firmly in place before attaching canopy.

If used, attach the vent damper to the inside bottom of the chimney support frame. Make sure damper opens to outside.

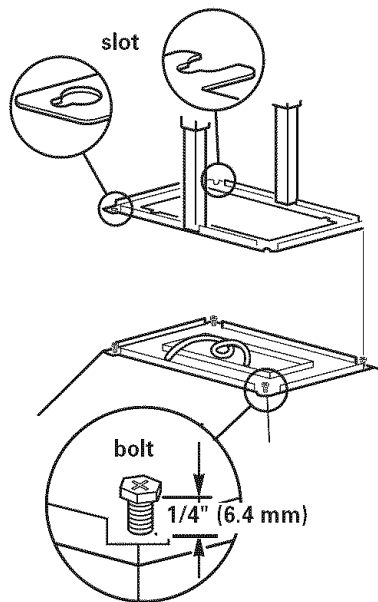


9. Press on handle in front of filters to release filters from range hood canopy. Remove filters and set aside.

10. Remove the terminal box cover from the range hood. Remove the power supply cable knockout using a flat-blade screwdriver. Do not remove optional remote blower knockout. Attach conduit connector into power supply cable opening so that conduit connector clamping screws are inside the terminal box.

! WARNING

Excessive Weight Hazard
Use two or more people to move and install island canopy hood. Failure to do so can result in back or other injury.



11. Loosen four bolts located next to exhaust opening so that there is approximately 1/4" (6.4 mm) space between bolt head and canopy. Lift canopy and insert bolts into slots in support system frame. Tighten bolts to support system frame and canopy.

Electrical connection

! WARNING

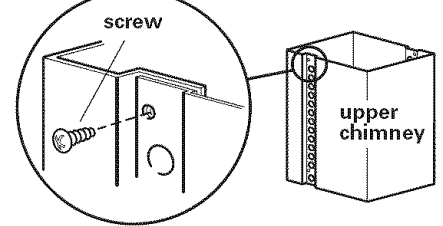
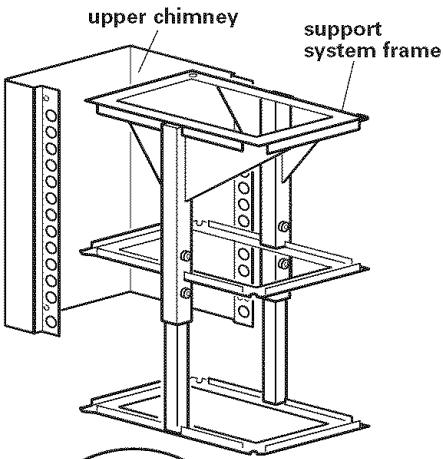
Electrical Shock Hazard
Disconnect power before making electrical connections. Connect ground wire to green ground screw in terminal box. Failure to do so can result in death or electrical shock.

12. Make electrical connection:

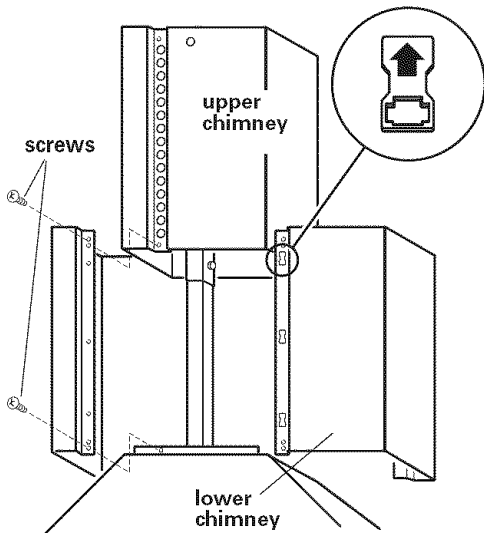
- Disconnect power supply.**
- Feed enough power supply cable through conduit connector to make electrical connections.
- Connect the power supply cable to hood terminal box through the U.L.- or C.S.A.-listed conduit connector.
- Connect the white wire of the power supply cable with the white lead in the hood using a twist-on connector; connect the black wire of the power supply cable with the black lead in the hood using a twist-on connector.
- Connect the power supply green (green and yellow) ground wire under the green, ground screw.
- Tighten conduit connector screws.
- Replace the terminal box cover.

Install chimney sections

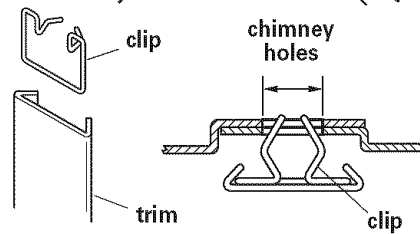
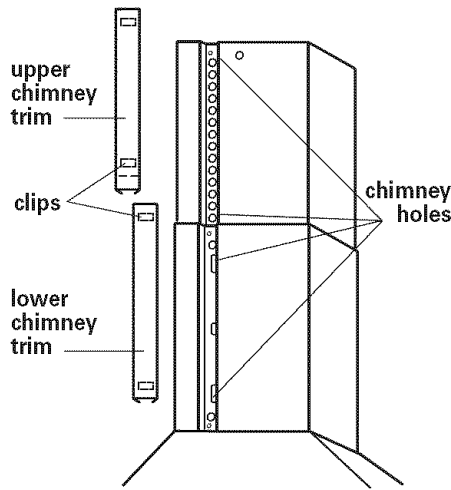
13. Connect vent to damper or hood and seal all connections with duct tape.



14. Position upper chimney section on support system frame and secure with two screws.



Fit lower chimney section over upper chimney section. Note: clip hole arrows must point toward ceiling. Check for proper position. Then secure upper and lower chimney sections to support system frame with four screws.

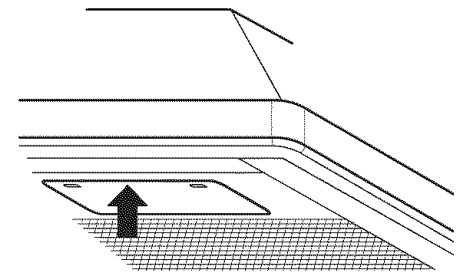


15. Cut upper chimney trim to correct length. Be careful not to bend trim strips while cutting. Slide clips into trim. Position to align with chimney holes. Push trim strips so that clips snap into holes.

16. Place filters in canopy opening so rear edge is over flange. Press filters up into position.

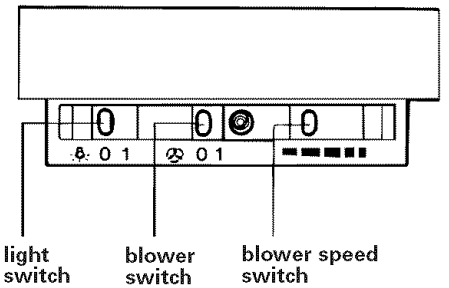
Check operation

17. Turn power on.



control panel location

18. The island canopy hood controls are located in a grey panel on underside of the canopy. To open the panel, press on the front edge of panel and release. The control panel will drop down.



19. Check the operation of the range hood:

- Move light switch to "1" position. The light should turn on.
- Move blower switch to "1" position. The blower should operate.
- Move the blower speed switch to the far left; blower speed should be LOW. Move blower speed to right; blower speed should gradually increase until you reach HIGH speed at far right.
- Move blower and light switches to "0" position to turn blower and light off.

If range hood does not operate:

- Check that the circuit breaker is not tripped or the house fuse blown.
- Disconnect power supply. Check that wiring is correct.

Use and Care Information

WARNING – TO REDUCE THE RISK OF FIRE, ELECTRIC SHOCK, OR INJURY TO PERSONS, OBSERVE THE FOLLOWING:

Use this unit only in the manner intended by the manufacturer. If you have questions, contact the manufacturer. Before servicing or cleaning unit, switch power off at service panel and lock switch power off at service panel and lock service panel to prevent power from being switched on accidentally. When the service disconnecting means cannot be locked, securely fasten a prominent warning device such as a tag to the service panel.

CAUTION: For general ventilating use only. Do not use to exhaust hazardous or explosive materials and vapors.

WARNING – TO REDUCE THE RISK OF A RANGE TOP GREASE FIRE:

Never leave surface units unattended at high settings. Boilovers cause smoking and greasy spillovers that may ignite. Heat oils slowly on low or medium settings.

Always turn hood ON when cooking at high heat or when cooking flaming foods.

Clean ventilating fans frequently. Grease should not be allowed to accumulate on fan or filter.

Use proper pan size. Always use cookware appropriate for the size of the surface element.

WARNING – TO REDUCE THE RISK OF INJURY TO PERSONS IN THE EVENT OF A RANGE TOP GREASE FIRE, OBSERVE THE FOLLOWING:

SMOTHER FLAMES with a close-fitting lid, cookie sheet, or metal tray, then turn off the burner. **BE CAREFUL TO PREVENT BURNS.** If the flames do not go out immediately, **EVACUATE AND CALL THE FIRE DEPARTMENT.**

NEVER PICK UP A FLAMING PAN – You may be burned.

DO NOT USE WATER, including wet dishcloths or towels – a violent steam explosion will result. Use an extinguisher **ONLY** if:

You know you have a Class ABC extinguisher, and you already know how to operate it.

The fire is small and contained in the area where it is started.

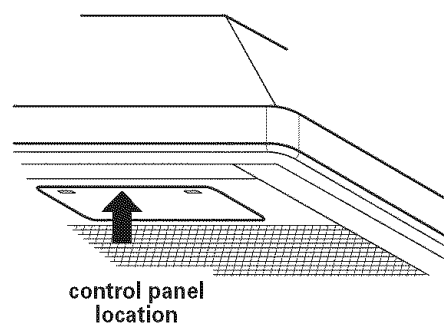
The fire department is being called.

You can fight the fire with your back to an exit.

This fan suitable for use with solid-state speed controls.

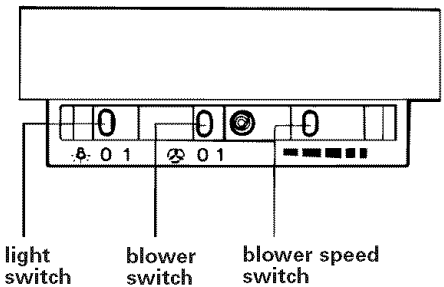
Operation

The island canopy hood is designed to remove smoke, cooking vapors and odors from the cooktop area. For best results, start the range hood before cooking and allow it to operate several minutes after the cooking is complete to clear all smoke and odors from the kitchen.



Opening the island canopy hood control panel:

The hood controls are located in a grey panel on the underside of the canopy. To open the panel, press on the front edge of panel and release. The control panel will drop down.



Operating the light:

ON: Move the light switch to the "1" position.

OFF: Move the light switch to the "0" position.

Operating the blower:

ON: Move the blower switch to the "1" position.

OFF: Move the blower switch to the "0" position.

Adjusting the blower speed:

The blower has variable speed control.

Move the switch to the far left for **LOW** speed and to the far right for **HIGH** speed.

Closing the range hood control panel:

Push up on the front edge of the control panel. The control panel will slide up into the canopy.

Cleaning

Filters:

The filters should be washed frequently. Place metal filters in dishwasher or hot detergent solution to clean.

Exterior surfaces:

Clean the hood with a mild detergent and soft cloth. Do Not use abrasive cleanser or steel wool pads.

Maintenance

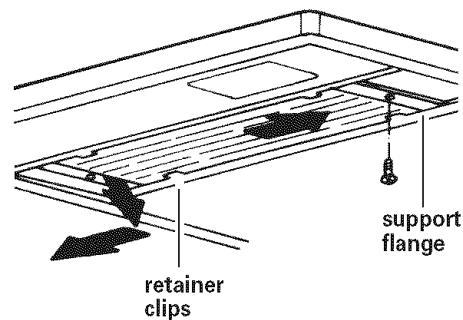
Replacing the light bulb:

This range hood uses fluorescent lamp type F33-15W-T8 and starter type 52.

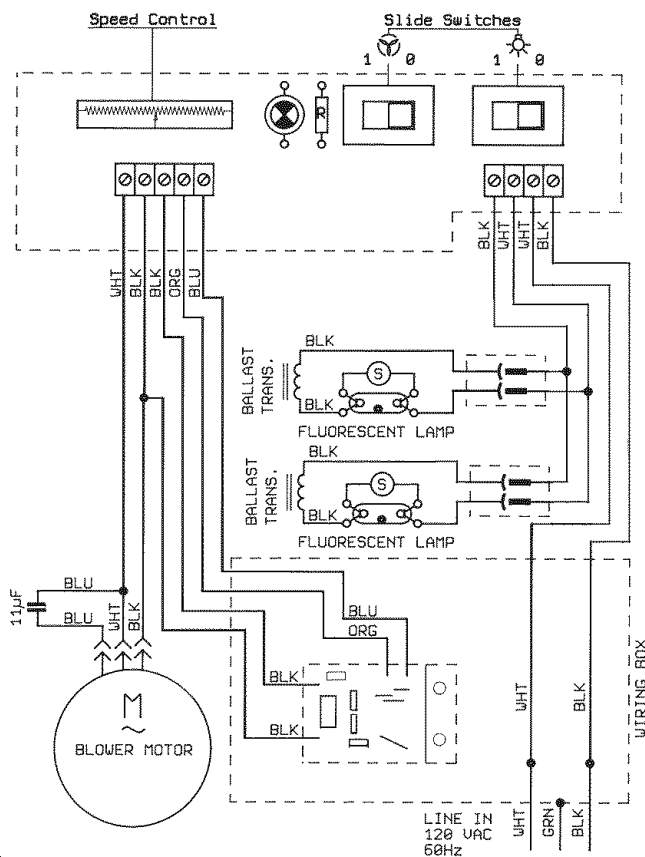
Remove the retainer clips from both ends of the light cover. Carefully slide the cover all the way to the right. Then lower the left end of the glass below the support flange and remove the glass by sliding it back from the left.

Install a new fluorescent light bulb.

Position the right end of the light cover over the flange and slide the cover all the way to the right. Position the left end of the light cover over the flange and slide the cover back to left. Reinstall the retainer clips.



Wiring diagram



Note: If a remote blower is used with this range hood, current draw must not exceed 4 amps.

Accessories

available from your dealer

Note: Instructions are included with each kit.

Utensil Bar:

Part No. 4378619 — 15" (38 cm) long (stainless steel only).

Charcoal Filters:

Part No. 4378623 (2 per pkg.)

Non-Vented (Recirculating) Kits*:

Part No. 4378625 (stainless steel)
Part No. 8171292 (biscuit)
Part No. 4378626 (white)

*These instructions must be read before starting the canopy hood installation.

KITCHENAID® VENTILATION WARRANTY

ONE YEAR LIMITED WARRANTY

For one year from the date of purchase, when this major appliance is operated and maintained according to instructions attached to or furnished with the product, KitchenAid or KitchenAid Canada (hereafter "KitchenAid") will pay for factory specified parts and repair labor to correct defects in materials or workmanship. Service must be provided by a KitchenAid designated service company.

ITEMS KITCHENAID WILL NOT PAY FOR

1. Service calls to correct the installation of your major appliance, to instruct you how to use your major appliance, to replace or repair house fuses or to correct house wiring or plumbing.
2. Service calls to repair or replace appliance light bulbs, air filters or water filters. Those consumable parts are excluded from warranty coverage.
3. Repairs when your major appliance is used for other than normal, single-family household use.
4. Damage resulting from accident, alteration, misuse, abuse, fire, flood, acts of God, improper installation, installation not in accordance with electrical or plumbing codes, or use of products not approved by KitchenAid.
5. Replacement parts or repair labor costs for units operated outside the United States or Canada.
6. Pickup and delivery. This major appliance is designed to be repaired in the home.
7. Repairs to parts or systems resulting from unauthorized modifications made to the appliance.
8. Expenses for travel and transportation for product service in remote locations.
9. The removal and reinstallation of your appliance if it is installed in an inaccessible location or is not installed in accordance with published installation instructions.

DISCLAIMER OF IMPLIED WARRANTIES; LIMITATION OF REMEDIES

CUSTOMER'S SOLE AND EXCLUSIVE REMEDY UNDER THIS LIMITED WARRANTY SHALL BE PRODUCT REPAIR AS PROVIDED HEREIN. IMPLIED WARRANTIES, INCLUDING WARRANTIES OF MERCHANTABILITY OR FITNESS FOR A PARTICULAR PURPOSE, ARE LIMITED TO ONE YEAR OR THE SHORTEST PERIOD ALLOWED BY LAW. KITCHENAID SHALL NOT BE LIABLE FOR INCIDENTAL OR CONSEQUENTIAL DAMAGES. SOME STATES AND PROVINCES DO NOT ALLOW THE EXCLUSION OR LIMITATION OF INCIDENTAL OR CONSEQUENTIAL DAMAGES, OR LIMITATIONS ON THE DURATION OF IMPLIED WARRANTIES OF MERCHANTABILITY OR FITNESS, SO THESE EXCLUSIONS OR LIMITATIONS MAY NOT APPLY TO YOU. THIS WARRANTY GIVES YOU SPECIFIC LEGAL RIGHTS AND YOU MAY ALSO HAVE OTHER RIGHTS, WHICH VARY FROM STATE TO STATE OR PROVINCE TO PROVINCE.

Outside the 50 United States and Canada, this warranty does not apply. Contact your authorized KitchenAid dealer to determine if another warranty applies.

If you need service, first see the "Troubleshooting" section of the Use & Care Guide. After checking "Troubleshooting," additional help can be found by checking the "Assistance or Service" section or by calling KitchenAid. In the U.S.A., call **1-800-422-1230**. In Canada, call **1-800-807-6777**.

10/05

Requesting Assistance or Service

To avoid unnecessary service calls, please check the "Check Operation" section. It may save you the cost of a service call. If you still need help, follow the instructions below.

If you need assistance or service in U.S.A.

Call the KitchenAid Customer Interaction Center toll-free at 1-800-422-1230.

Our consultants are available to assist you.

When calling: Please know the purchase date, and the complete model and serial number of your appliance. This information will help us better respond to your request.



Our consultants provide assistance with:

- Features and specifications on our full line of appliances
- Installation information

- Use and maintenance procedures
- Accessory and repair parts sales
- Specialized customer assistance (Spanish speaking, hearing impaired, limited vision, etc.)
- Referrals to local dealers, service companies, and repair parts distributors

KitchenAid designated service technicians are trained to fulfill the product warranty and provide after-warranty service, anywhere in the United States.

To locate the designated KitchenAid service company in your area, you can also look in your telephone directory Yellow Pages.

If you need replacement parts

If you need to order replacement parts, we recommend that you only use factory-authorized parts. These parts will fit right and work right, because they are made to the same exacting specifications used to build every new KitchenAid* appliance.

To locate factory-authorized parts in your area, call our Customer Interaction Center telephone number, your nearest authorized service center, or KitchenAid Factory Service at 1-800-442-1111.

For further assistance

If you need further assistance, you can write to KitchenAid with any questions or concerns at:

KitchenAid Brand Home Appliances
Customer Interaction Center
c/o Correspondence Dept.
2000 North M-63
Benton Harbor, MI 49022-2692

Please include a daytime phone number in your correspondence.

Requesting Assistance or Service

Before calling for assistance or service, please check the "Check Operation" section. It may save you the cost of a service call. If you still need help, follow the instructions below.

If you need assistance or service in Canada

1. If the problem is not due to one of the items listed in "Check Operation"†...



Contact the dealer from whom you purchased your appliance, or call the KitchenAid Canada Customer Interaction Center toll-free, 8:30 a.m. – 6 p.m. (EST), at 1-800-422-1230.

2. If you need service†...

Contact your nearest KitchenAid Canada Appliance Service branch or authorized servicing outlet to service your appliance. (See list below.) Make sure the service company you contact is authorized to service your appliance during the warranty period.

†When asking for assistance or service, please provide a detailed description of the problem, your appliance's complete model and serial numbers, and the purchase date. This information will help us respond properly to your request.

KitchenAid Canada Appliance Service – Consumer Services

Direct service branches:

BRITISH COLUMBIA		1-800-665-6788
ALBERTA		1-800-661-6291
ONTARIO (except 807 area code)	Ottawa area Outside the Ottawa area	1-800-267-3456 1-800-807-6777
MANITOBA, SASKATCHEWAN and 807 area code in ONTARIO		1-800-665-1683
QUEBEC	Montreal (except South Shore) South Shore Montreal Quebec City Sherbrooke	1-800-361-3032 1-800-361-0950 1-800-463-1523 1-800-567-6966
ATLANTIC PROVINCES		1-800-565-1598

For further assistance

If you need further assistance, you can write to KitchenAid Canada with any questions or concerns at:

Consumer Relations Department
KitchenAid Canada
1901 Minnesota Court
Mississauga, Ontario L5N 3A7

Please include a daytime phone number in your correspondence.