

Wheel Hub Remover Tool

User Manual



Read Carefully Before Use
Keep for Future Reference

Safety Information

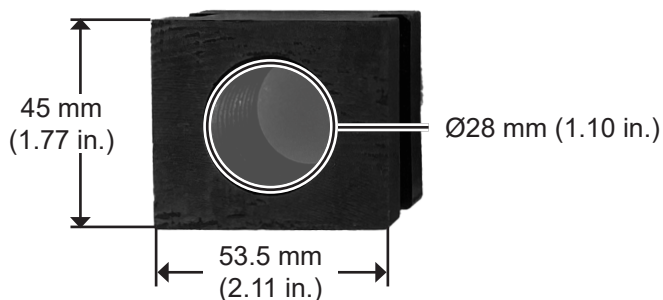
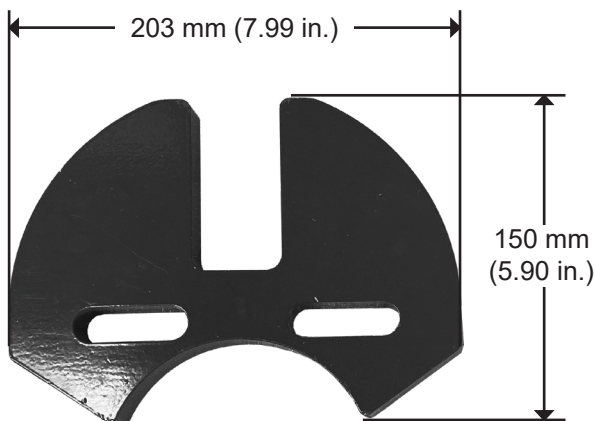
Danger

- The instructions provided herein are only for general information. **ALWAYS** perform all repairs in full compliance with your machinery's service manual. After any repair, test your engine and machinery in your workshop and at low speed before returning to normal use. Failure to do so may result in serious property damage and severe personal injury.
- **ONLY** use this tool for its intended purpose, removing wheel hub assembly binding too tight to the knuckle.
- **DO NOT** allow use by children, by persons whose mental or physical condition precludes safe use, or by persons unfamiliar with this product and its compatible vehicle systems.
- **DO NOT** use while under the influence of alcohol, drugs, or any medication that negatively affects your judgment or reflexes. Keep children and bystanders away during use.
- Keep your work site clean and well lit. Cluttered and dark work areas invite accidents.
- For best results, keep the kit clean and dry. Remove any fluid, oil, or grease before and after work.
- **ALWAYS** use personal protective equipment (PPE) suitable to your task. **ALWAYS** wear ANSI and OSHA-approved eye, breathing, and hand protection while using this product. Normal use of this product typically produces microscopic particles known to the state of California to cause cancer, birth defects, or other reproductive harm. Non-slip footwear is also highly recommended. Other equipment such as ear, head, and body protection may also be necessary depending on your work, work environment, and other equipment.
- **ALWAYS** know and understand the specific safety warnings and instructions for your machinery before using this kit. Use the correct fluids, pressures, adapters, etc. for your machinery. Make sure the machinery is fully supported and parked before beginning any work. Take care to **NEVER** touch any heated surface with exposed skin.
- Dress properly for automotive servicing. **DO NOT** wear loose clothing or jewelry and keep hair, clothing, gloves, hoses, and tools away from any moving parts during use.
- **ALWAYS** know and understand the specific safety warnings and instructions for your vehicle before using this kit. Use the correct fluids, pressures, adapters, etc. for your vehicle. Make sure the vehicle is fully supported and parked before beginning any work. Take care to **NEVER** touch any heated surface with exposed skin.
- Prior to servicing your machinery, turn off its engine and refer to its manufacturer's service and repair manual for instructions on how to safely secure the machinery in place with chocks, jacks, stands, etc.
- In case of an accident or injury, have a first aid kit and a communication device (e.g., a phone) readily available. Know the location of emergency medical facilities.

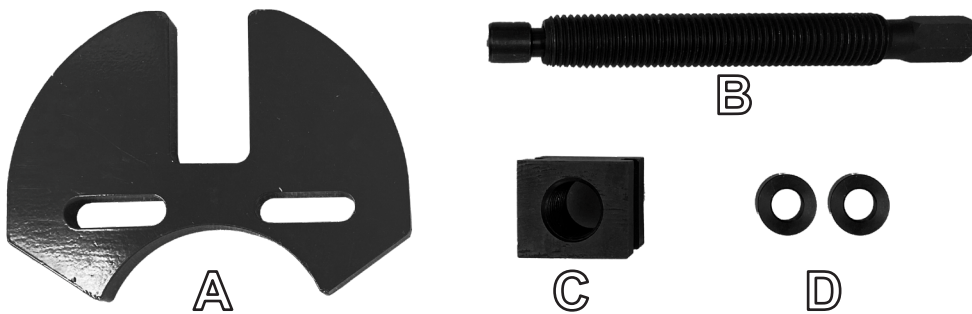
Safety Information

- Maintain this product. Check for misalignment, binding, wear, or other damage before use. If any damage is detected, repair or replace the problematic components before further use. In a large shop, mark such tools “**DO NOT USE**” until they have been repaired. **ONLY** replace components with identical parts.
- Machinery repair is an inherently dangerous activity. This manual and the separate machinery service manual cannot cover all possible situations that may arise. **ALWAYS** exercise discretion and good judgement. Seek training if needed.

Specifications



Parts List



No.	Item	Qty.
A	Remover Plate	1
B	Forcing Screw	1
C	Screw Assembly	1
D	Washers	2

Fitment: 5, 6 & 8 lug hub assemblies.

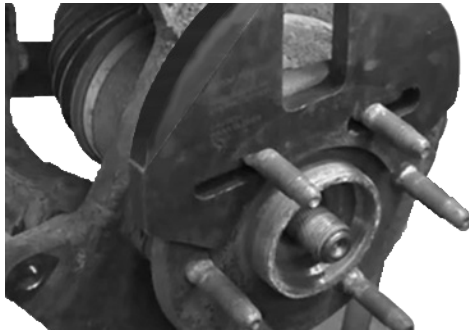
Operation

Warning

- *Shut the engine before servicing, make sure the vehicle is in a stationary state for easy maintenance, and that the engine has cooled to room temperature before performing maintenance or adjustments.*
- *Use correct tools and personal protective equipment (PPE) before performing any operation. Be extremely careful with possible pinching points, moving parts, or parts that may suddenly spring out.*
- *Make sure your surroundings are safe for using the tool. Avoid operating in crowded or unstable areas.*
- *Make sure the work area is clean and clear of any clutter or dirt that may affect operations.*
- **ALWAYS** *ensure that your vehicle has been jacked up and is adequately supported with axle stands.*
- *Do not force the tool. Excessive force may cause serious personal injuries and severe property damage.*
- *For an abundance of safety, we recommend you take training before using these tools. Serious injury could happen due to a lack of training.*

Operation

1. Place the remover plate on the hub, passing through the wheel studs.

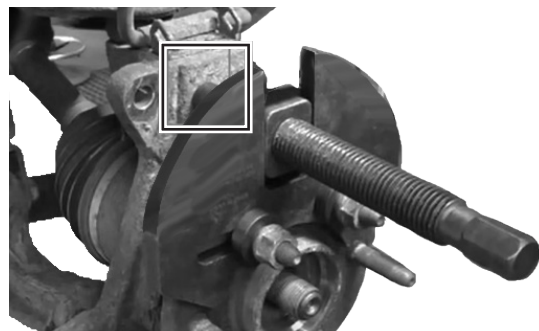


2. Put the washers on the studs and fix the washers using nuts (not included).

Note: Refer to the vehicle's manual for the dimensions of the nuts on the hub.



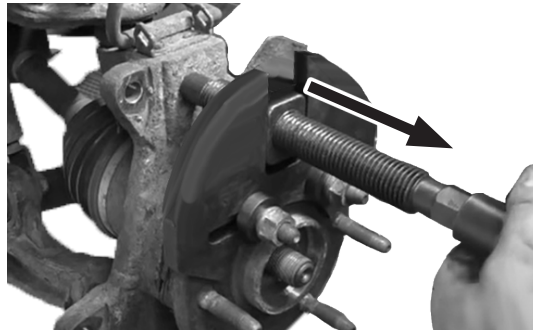
3. Set the screw assembly behind the plate and screw the forcing screw against the knuckle.



Operation

4. Use a suitable socket and pneumatic or power tool to keep driving the forcing screw until the hub tilts outward as shown.

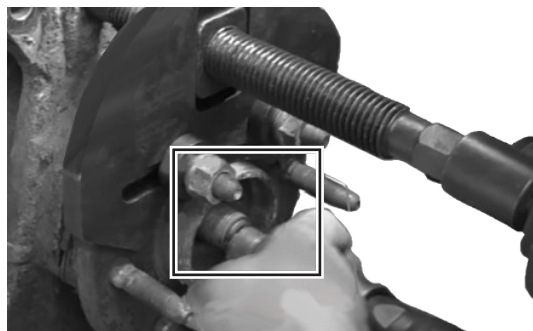
Note: Make sure the tilt angle is about fifteen degrees. Excessive tilt may cause the wheel hub to break.



5. Press the stud axle from the hub using a pneumatic or power tool.

Note: Spray suitable lubricant at their connection to separate the stud axle and hub.

6. Remove the forcing screw and screw assembly from the plate.
7. Rotate the hub and set the screw assembly behind the plate and screw the forcing screw against the other side of the knuckle.



8. Use a suitable socket and pneumatic or power tool to keep driving the forcing screw until the hub comes off the knuckle.

Note: If the hub remains tightly bound, loosen the stud axle using a pneumatic or power tool again.

9. Remove all the tools from the hub when finished.

Maintenance

- Disassemble all parts before storing them in a cool, dry, and clean place after use.
- The exterior of the product can be cleaned with a soft damp cloth. **DO NOT** use abrasive cleaners or caustic chemicals.
- **NEVER** scrape the hose or drop the pressure gauge on hard or rough surfaces.
- Check all parts of the product periodically for any wear or damage. Repair or replace any problematic parts before further use.
- Store this product in a cool, dry place away from direct sunlight and inaccessible to children.

Contact Us

Thank you for choosing our products! If you have any questions or comments, contact us at **support@orionmotortech.com** and we'll resolve your issue ASAP!

For a .pdf copy of the latest version of these instructions, use the appropriate app on your smartphone to scan the QR code to the right.

