



ENGLISH

SMARTCODE 914

TOUCHPAD ELECTRONIC DEADBOLT

Installation and User Guide

Required tools

Ruler Phillips head screwdriver

Additional Tools (depending on application)

Hammer Wood block

Kwikset
1-866-863-6584
www.kwikset.com

Parts in the box		
Latch A	Exterior Keypad E	Interior Assembly J K L
 B "B" is not included. If needed, please contact Kwikset to order a drive-in latch for your lock.	Mounting Plate F	Fasteners M N
Strike C	Allen Wrench G	 P Q R
Adapter Ring D	Keys H	SmartKey Tool S
		Batteries T

1 Prepare the door and check dimensions

If drilling a new door, use the supplied template and the complete door drilling instructions available at www.kwikset.com/doorprep.

<p>A Measure to confirm that the hole in the door is either 2-1/8" (54 mm) or 1-1/2" (38 mm).</p>	<p>B Measure to confirm that the backset is either 2-3/8" or 2-3/4" (60 or 70 mm).</p>	<p>C Measure to confirm that the hole in the door edge is 1" (25 mm).</p>	<p>D Measure to confirm that the door is between 1-3/8" and 2" (35 mm and 51 mm) thick.</p>
--	---	--	--

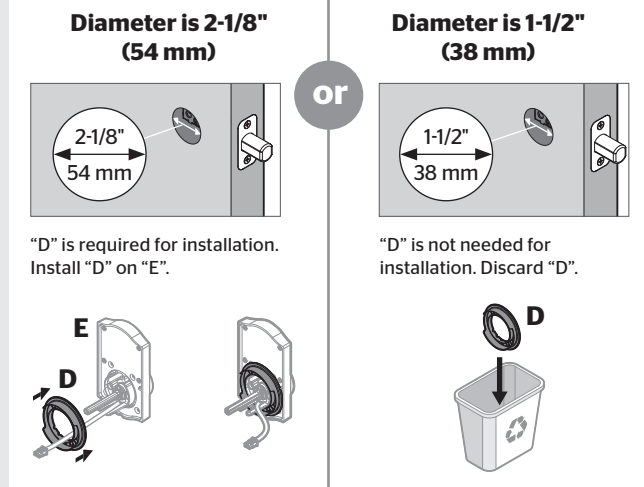
Note: Additional door preparation may be required for doors with 1-1/2" (38 mm) holes. Consult the deadbolt drilling instructions at www.kwikset.com/doorprep.

2 Install the latch and strike

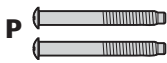
<p>A Is the door edge chiseled?</p> <div style="display: flex; justify-content: space-around;"> <div style="text-align: center;"> <p>YES</p> <p>Use latch "A". If the latch bolt is not already extended, extend the latch bolt as shown.</p> </div> <div style="text-align: center;"> <p>NO</p> <p>Use latch "B" (not included). If the latch bolt is not already extended, extend the latch bolt as shown.</p> </div> </div>	<p>B Hold the latch in front of the door hole, with the latch face flush against the door edge.</p>	<p>D Which latch are you installing?</p> <div style="display: flex; justify-content: space-around;"> <div style="text-align: center;"> <p>Latch "A"</p> </div> <div style="text-align: center;"> <p>or</p> <p>Latch "B"</p> </div> </div>
<p>C Are the latch holes centered in the door hole?</p> <div style="display: flex; justify-content: space-around;"> <div style="text-align: center;"> <p>YES</p> <p>No adjustment is required. Proceed to next step.</p> </div> <div style="text-align: center;"> <p>NO</p> <p>Rotate latch face as shown to extend latch.</p> </div> </div>		<p>E Install strike on the door frame.</p>

3 Install the exterior keypad

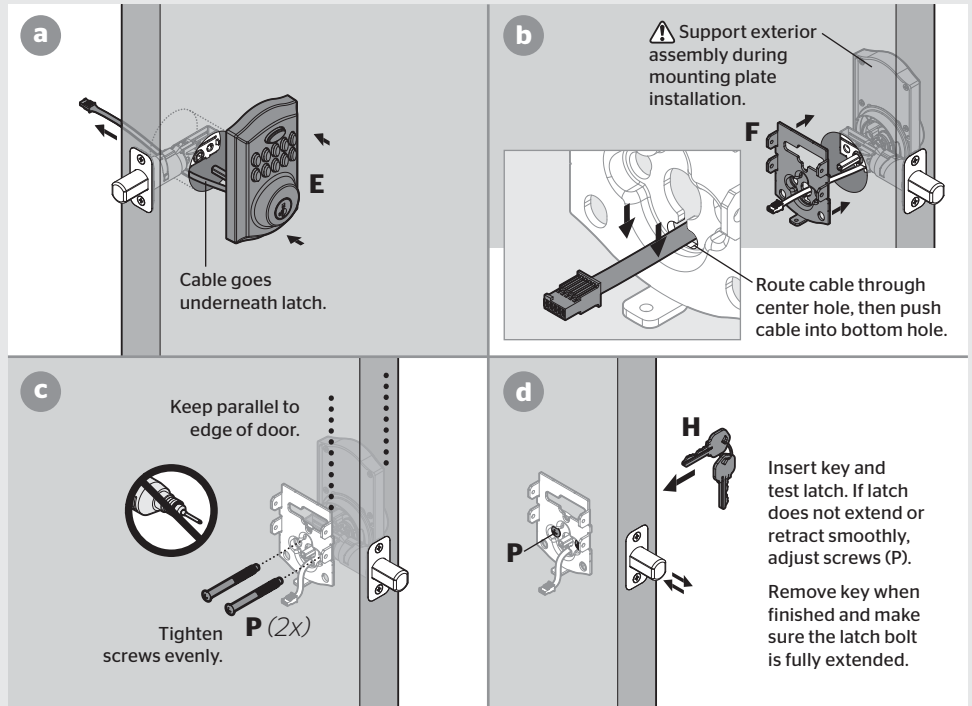
A What is the diameter of the hole in the door?



B Locate screws for step 3C and keep them within reach.

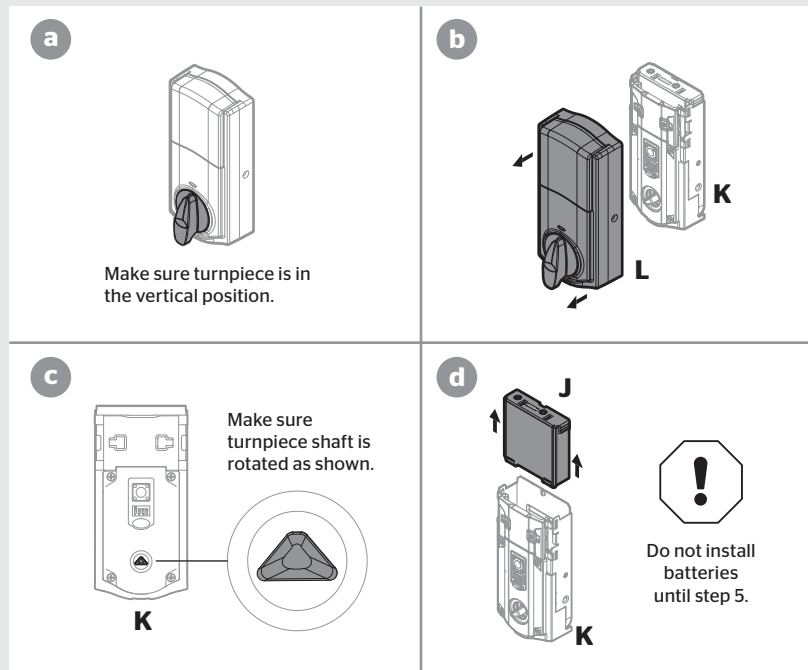


C Install exterior keypad and mounting plate.

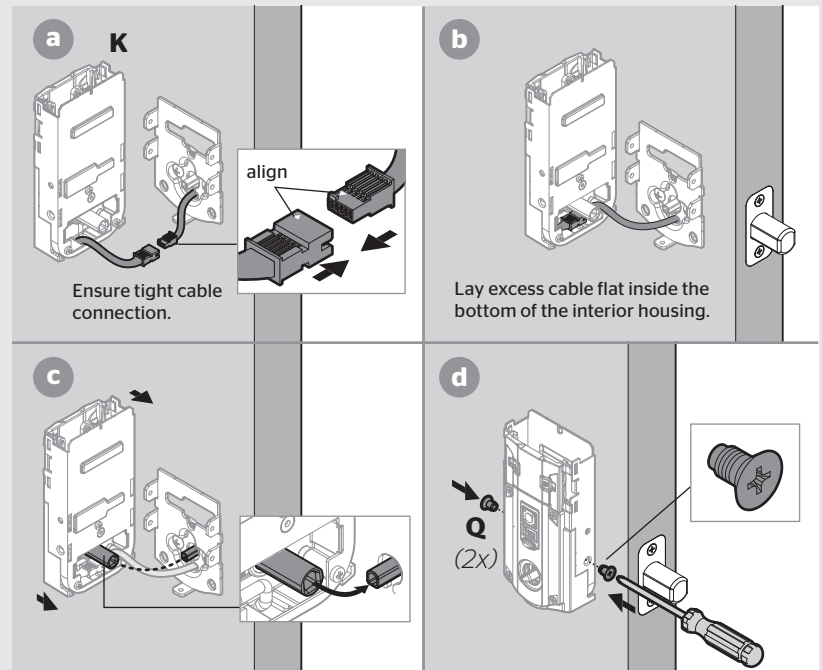


4 Install the interior assembly

A Remove battery cover and battery pack from interior assembly.



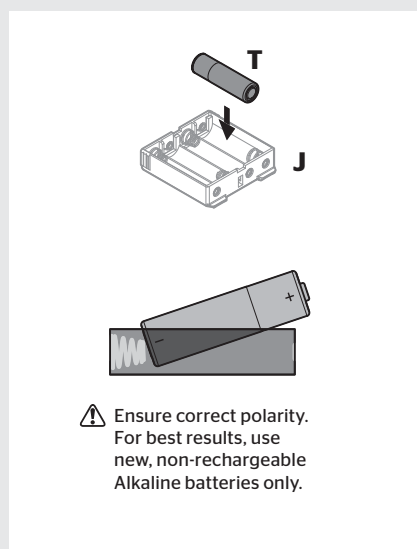
B Install interior assembly onto mounting plate.



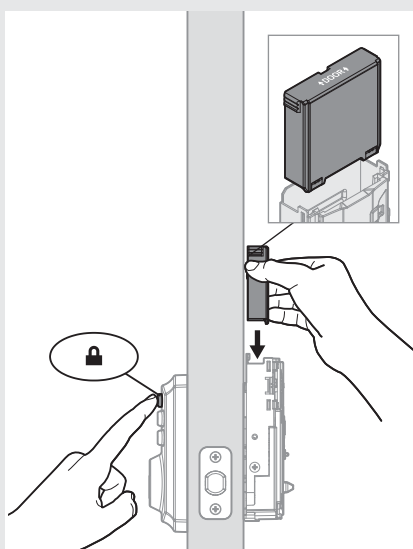
5 Install the batteries and perform the door handing process

This step will teach your lock the orientation of your door and is crucial to lock operation.

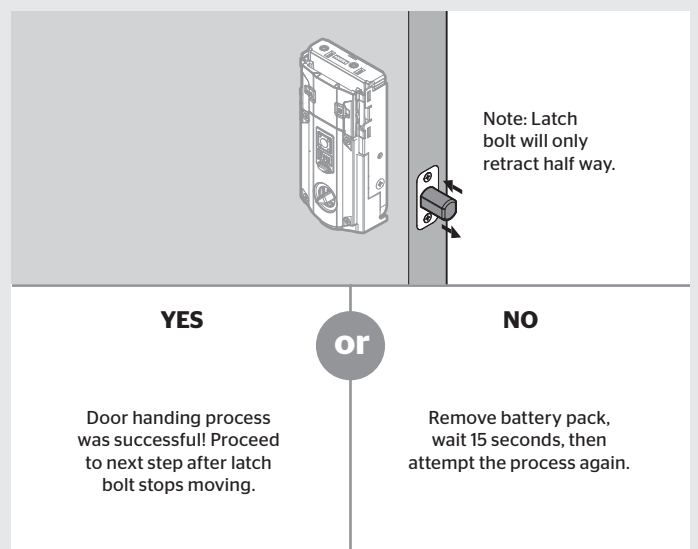
A Install 4 AA batteries in battery pack.



B Press and HOLD the Lock button while installing battery pack. Hold button until the latch bolt starts moving on its own.



C Did the latch bolt retract and extend on its own when the battery pack was installed?

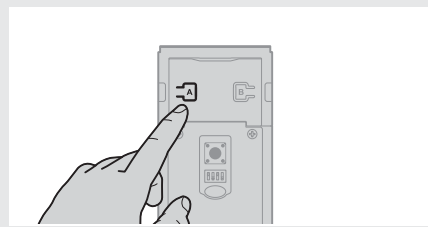


6 Pair the lock with your smart home system

A Initiate the pairing process at your smart home controller. Refer to your smart home system instructions for more information.

Note: See supplied flyer for provider websites and contact information as applicable.

B When prompted by your smart home system to initiate pairing at the lock, press button "A" on the lock interior four times.



C If the pairing process is successful, re-name the lock in your system (if applicable).

D If the pairing process is unsuccessful, press button "B" nine times.

Perform steps 6A-6C again.

If pairing is still unsuccessful, consult the SmartCode 914 Programming and Troubleshooting Guide online at www.kwikset.com.

7 Add user codes

It is recommended that you add and delete all user codes through your smart home control system. If your system does not allow this, codes may be added directly to the lock as shown here.

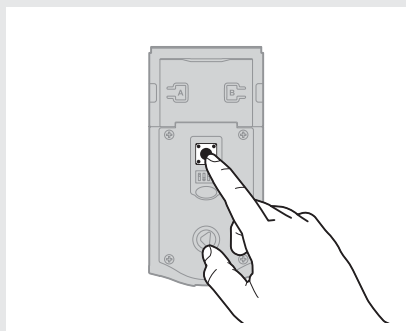
Mastercode

For enhanced security, a mastercode may be used when adding and deleting user codes. For more information about the mastercode, download the SmartCode 914 Programming and Troubleshooting Guide at www.kwikset.com.

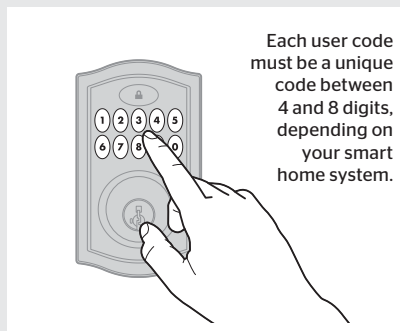
Programming Timeout

During programming, if no button is pressed for five seconds, the system will time out (indicated by three beeps and a red flashing keypad), and you will need to restart the procedure.

A Make sure the door is open. Press the Program button once.

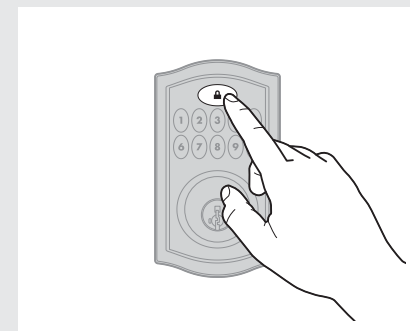


B Enter user code. A total of 30 user codes may be programmed.



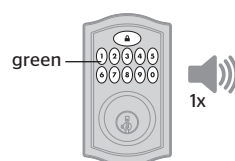
Each user code must be a unique code between 4 and 8 digits, depending on your smart home system.

C Press Lock button once.



D Did the keypad flash green once with one beep or flash red three times with three beeps*?

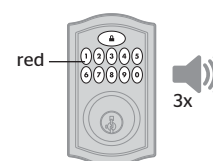
One green flash with one beep



Programming was successful. Proceed to step 8.

or

Three red flashes with three beeps



Programming was unsuccessful.

Make sure the user code is not a duplicate and that it is between 4 and 8 digits during your next attempt.

Make sure the lock has room for an additional code. If all user code positions are filled, delete a code to make room for this one.

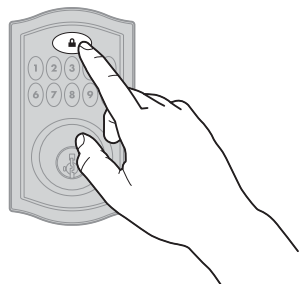
*Beeping sound will only be heard if switch #3 (on the lock interior) is in the on position.

8 Test the lock (review normal operation)

Confirm that the code(s) added in step 7 can unlock the door.

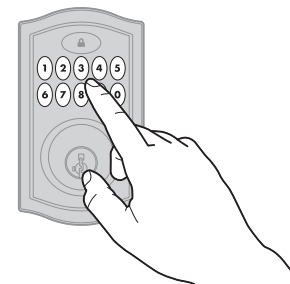
Locking the Door

Press Lock button once.



Unlocking the Door

Enter user code.

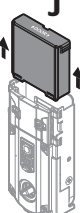


9 Re-key the lock (if needed) and install the battery cover

A Re-key the lock (if needed).

a

IMPORTANT: Remove battery pack before re-keying.



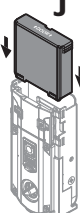
b

Re-key the lock to work with your existing key. See the supplied SmartKey Re-key instructions for more information.



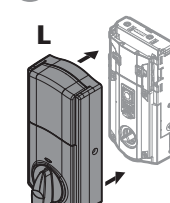
c

Reinstall battery pack.

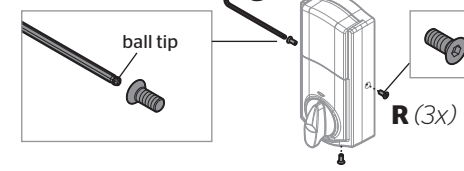


B Install the battery cover.

a

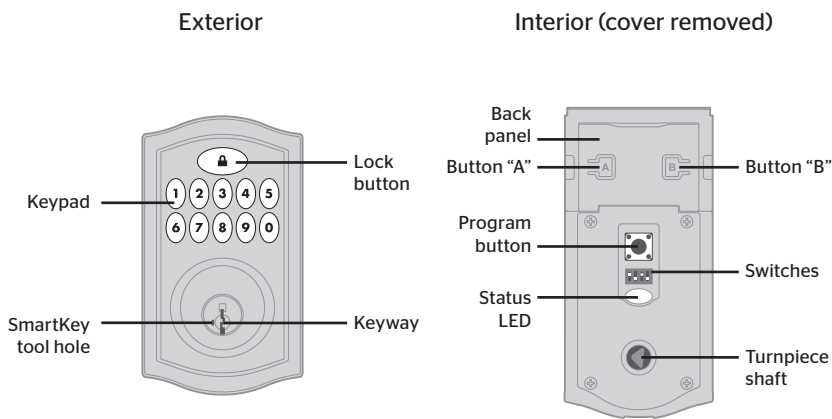


b



Keep "G" in a safe place, as you will need it to access the back panel for additional programming.

SmartCode at a Glance



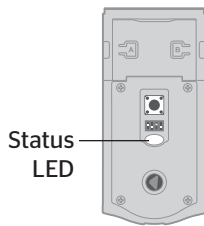
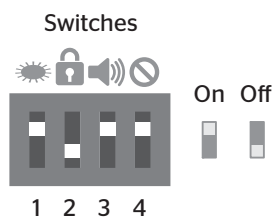
Note: When the cover is removed, the turnpiece shaft can be used to manually lock and unlock the door.

System Alerts

Alert	Reason	Solution
Keypad flashes green once with one beep*.	Successful programming.	N/A
Keypad flashes red once with one beep*.	One incorrect code entered.	Re-enter code.
Keypad flashes red three times with three beeps*.	No user code programmed.	Program at least one user code.
	Programming timeout after five seconds. Unsuccessful programming.	Attempt programming procedure again.
Keypad flashes red 15 times with 15 beeps*.	Three incorrect codes entered within one minute.	Re-enter code after 60 second keypad lockout.
Keypad flashes red with fast beeping sound for three to four seconds.	Low battery.	Replace batteries.
Keypad flashes red with continuous beeping sound for two seconds.	Door jammed while attempting to lock.	Manually re-lock door. If needed, reposition strike.
Lock beeps continuously.	Interior assembly is disconnected from exterior.	Remove battery pack, reconnect the interior to the exterior, then reinstall battery pack.

*Beeping sound will only be heard if switch #3 is on.

Switches and Status LED colors



Switch	Function
1	Door lock status LED blinks every 6 seconds
2	Lock automatically re-locks door 30 seconds after unlocking. Disabled if no codes are programmed.
3	Audio
4	Not used.

Color	Lock Status
Blinking green	Unlocked
Blinking amber	Locked
Blinking red	Low battery
Solid red	Door handing process did not work properly. See the online Programming and Troubleshooting Guide.

Troubleshooting

A complete SmartCode 914 Programming and Troubleshooting Guide is available at www.kwikset.com.

Deleting a single user code

Note: All codes may be deleted at once if the mastercode is enabled. For more information about the mastercode, consult the SmartCode 914 Programming and Troubleshooting Guide at www.kwikset.com.

<p>1 Keep door open. Press Program button once.</p>	<p>2 Press Lock button once.</p>	<p>3 Enter user code to be deleted.</p>	<p>4 Press Lock button once.</p>
<p>5 Re-enter user code.</p>	<p>6 Press Lock button once.</p>	<p>If unsuccessful Make sure to enter the same valid code in steps 3 and 5.</p>	<p>⚠ Test code While the door is open, test the user code to make sure it no longer unlocks the door.</p>

If no button is pressed for five seconds, the system will time out, and you will need to restart the procedure.

Factory Reset

A factory reset will delete all codes associated with the lock, and it will remove it from your smart home system.

<p>1 Remove battery pack.</p>	<p>2 Press and HOLD the Program button while reinserting the battery pack. Keep holding the button for 30 seconds until the lock beeps and the status LED flashes red.</p>
<p>3 Press the Program button once more. When the LED flashes green and you hear one beep, the lock has been reset.</p>	<p>4 Perform the door handing process again to teach the lock the orientation of the door, pair the lock with your smart home system, and add user codes to your lock.</p>

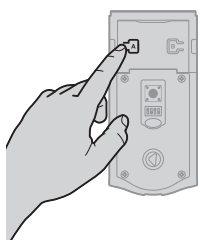
Network Information

ZigBee System Notes

ZigBee is a "Wireless mesh network," and results may vary based on building construction and communication path, with 35+ feet being typical installed distance in a standard home environment and 250 feet+ when the lock has a clear line of sight with the smart home controller. It may be necessary to install additional ZigBee devices to enhance the communication path between the lock and controller for a more robust ZigBee network.

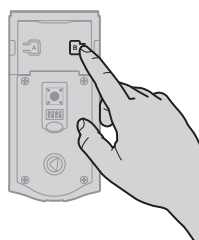
Adding the lock to the network

During the pairing process, press button "A" on the lock interior four times.



Removing the lock from the network

Press button "B" on the lock interior nine times.



Important Safeguards

1. Read all instructions in their entirety.
2. Familiarize yourself with all warning and caution statements.
3. Remind all family members of safety precautions.
4. Protect your user codes and mastercode.
5. Dispose of used batteries according to local laws and regulations.

⚠ CAUTION: Prevent unauthorized entry. Since anyone with access to the back panel can change the user codes, you must restrict access to the back panel and routinely check the user codes to ensure they have not been altered without your knowledge. The use of a mastercode can help protect your system's settings.

⚠ WARNING: This Manufacturer advises that no lock can provide complete security by itself. This lock may be defeated by forcible or technical means, or evaded by entry elsewhere on the property. No lock can substitute for caution, awareness of your environment, and common sense. Builder's hardware is available in multiple performance grades to suit the application. In order to enhance security and reduce risk, you should consult a qualified locksmith or other security professional.