

材质：105g铜版纸

尺寸：115 x 65 mm

印刷：单黑

装订：骑马钉

Fanttik

X10 PRO AIR INFLATOR

User Manual

Read this manual carefully before use
and keep it for future reference.



CONTENTS

1. SAFETY WARNINGS	02
2. ACCESSORIES	04
3. PRODUCT OVERVIEW	05
4. HOW TO USE	06
5. SPECIFICATIONS	12
6. TROUBLESHOOTING	13
7. DECLARATION INFORMATION	15
8. WARRANTY CARD	16

1. SAFETY WARNINGS

Electric Tire Inflator Safety Warnings

The battery charger can be used by children aged from 8 years and above and persons with reduced physical, sensory or mental capabilities or lack of experience and knowledge if they have been given supervision or instruction concerning use of the appliance in a safe way and understand the hazards involved. Children shall not play with the appliance. Cleaning and user maintenance shall not be made by children without supervision. Risk of coke formation in the delivery piping causing a fire or explosion.

Safety Instructions

Please take appropriate precautions to protect your hearing. The tire inflator and air hose can get very hot after running for a while. Do not touch hot surfaces until they have cooled down. This product is not a toy and should not be used by children.

Intended Use

The tool is intended to inflate some motorcycles, bicycles, cars, and balls.

To ensure safety and to prevent injuries from explosions due to over inflation, always refer to the instructions or

relevant directions accompanying the item to be inflated before inflating it, in order to determine the correct air pressure.

The tool is to be used only for its prescribed purpose. Any other use is deemed to be a case of misuse.

Over temperature protection it is normal for the product to stop working when the temperature protection icon is on, and it could continue to be used after the temperature drops and icon disappeared.

2. ACCESSORIES



Air inflator x1



Needle valve adapter x 1



Charging Cable x 1



Presta valve adapter x 1

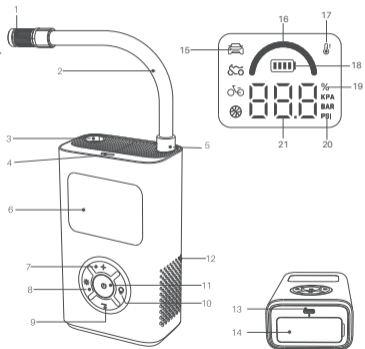


User manual x 1

*Carefully check the package contents. If anything is missing or damaged, please contact customer support.

3. PRODUCT OVERVIEW

- | | |
|-----------------------------|---------------------------------------|
| 1.Schrader Valve Adapter | 15. Preset mode |
| 2.High-pressure Air Hose | 16. Pumping progress bar |
| 3.Air Hose Compartment | 17. High temperature indicator |
| 4.Light | 18. Battery indicator |
| 5.Air Hose Connection | 19. Manual mode |
| 6.Display | 20. Pressure unit |
| 7.+ Button | 21. Target / Real-time pressure value |
| 8.Light On/Off Button | |
| 9.- Button | |
| 10.Mode Button | |
| 11.Start/Stop Button | |
| 12.Heat Dissipation Vent | |
| 13.Charging Port | |
| 14.Accessories storage slot | |



4. HOW TO USE

1. Battery Level Indicator & Charging

Battery Level Indicator



More than 75%



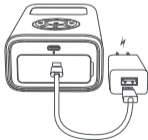
75% to 50%



50% to 25%



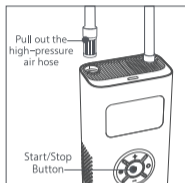
Less than 25%, charge as soon as possible.



Charging

Fully charge the tire inflator before using it for the first time. Connect the charging cable to 5V/3A USB power adapter to charge the tire inflator.

2. Turning on / off



Turning on:




Remove the high-pressure air hose from its compartment, then the tire inflator will automatically turn on. If the tire inflator is not used for 3 minutes, it will automatically turn off. If the tire inflator automatically turns off while the high pressure air hose is pulled out, press and hold the start/stop button to turn the tire inflator on again.

Turning off:

Insert the high-pressure air hose back into the tire inflator to turn it off.

To turn it off, press and hold the start/stop button while the tire inflator is turned on.

3. Connecting the High-pressure Air Hose and Vavel Adapter

Valve Type	Connection Method	Scope of Application
Schrader Valve		Tires on cars, motorcycles, e-bikes, and most mountain bikes use a Schrader valve
Presta Valve		Road bicycles and certain mountain bikes require the included Presta valve adapter
Needle Valve		Balls like basketball, football, Soccer ball, volleyball

4. Detecting Air Pressure

The current air pressure will automatically be displayed after the high pressure air hose is connected to an item while the tire inflator is turned on.

5. Air Pressure Reference Table

Category	Type	Recommended Pressure Range
Bicycles	12, 14, 16-inch bicycle tires 20, 22, 24-inch bicycle tires 26, 27.5, 29-inch mountain bike tires 700c road bike clincher tires 700c road bike tubular tires	30-50 PSI/2-3.4 BAR 40-50 PSI/2.7-3.4 BAR 45-65 PSI/3.1-4.5 BAR 100-130 PSI/6.9-9.1 BAR 120-145 PSI/8.2-10 BAR
Motorcycles	Motorcycle tires	26-43 PSI/1.8-3 BAR
Cars	Car tires	26-50 PSI/1.8-3.4 BAR
Balls	Basketball Soccer ball Volleyball Football	7-9 PSI 8-16 PSI 4-5 PSI 12-14 PSI

Note: Pressure range values are for reference only. Always refer to the instructions or manual of the item being inflated for actual inflation pressure specifications. (The data above is from the Fanttik lab.)

6. Pressure Presets

Switch Mode

Press the mode button to switch between the five inflation modes below. Select the preferred air pressure unit before inflating by pressing and holding the mode button to toggle between PSI, BAR and kPA.



Professional Mode: There's no icon on the left side of the display, and the air pressure can be specified by the user and will be saved.

Adjustable range: 3-150PSI/0.2-10.3BAR.



Car Mode: Default 35PSI

Adjustable Range: 26-50PSI



Bicycle Mode: Default 45 PSI

Adjustable Range: 30-145PSI



Motorcycle Mode: Default 34PSI

Adjustable Range: 26-43PSI



Ball Mode: Default 8 PSI

Adjustable Range: 4-16 PSI

7. Adjusting the Preset Pressure



After selecting a mode, press + or - to increase or decrease the preset pressure value. Press and hold the + or - button to quickly adjust the pressure value. When adjusting a preset pressure, the blinking value



indicates the target pressure, and a non-blinking value indicates the real time pressure.

8. Light



Press the light on/off button to switch between light on, SOS light, and light off

9. Inflating

Start Inflating

Press the start/stop button to start inflating. The current pressure is displayed in real-time while inflating.



Stop Inflating

Once the preset pressure value has been reached, the tire inflator will automatically stop inflating. The tire inflator can also be manually stopped at any time while inflating by pressing the start/stop button once.

5. SPECIFICATIONS

Name	Fanttik X10 Pro Portable Tire Inflator
Model	X10 Pro
Item Dimensions	123.5mm × 74mm × 45mm
Pressure Range	0.2- 10.3 BAR/3-150 PSI
Working Temperature	0°C to 45 °C
Storage Temperature	-10 °C to 45 °C
Battery Capacity	2500mAh@7.4V (18.5 Wh)
Charging Port	Type-C
Charging Time	< 3 hours (5V/3 A)
Sensor Accuracy	±1 PSI
Pressure Range	3-150 PSI
Charging Voltage/Current	5V/3 A

6. TROUBLESHOOTING

Problem	Solution
Slow inflation speed	<ol style="list-style-type: none">1. Check whether the tire inflator's battery level is sufficient.2. Check whether the air hose is leaking.3. Check whether both ends of the air hose are securely connected.4. Check whether the item that is being inflated is leaking.
Tire inflator turns on but does not inflate	<ol style="list-style-type: none">1. Check whether the air hose is removed from its compartment before inflating.2. Check whether the tire inflator's battery level is sufficient.3. Check whether the pressure of the item that is being inflated exceeds the preset pressure.
Unable to increase or decrease the preset pressure	Make sure the tire inflator is set to the correct mode. It is allowed to adjust the preset value in the range of 3-150PSI in manual mode.
Tire inflator inflates normally but the displayed pressure is zero	The pressure of low-pressure inflatables including balloons is too low to measure.

Problem	Solution
Tire inflator already turned off after connecting the air hose to a valve	Press and hold the start/stop button to turn the tire inflator on again.
Air leaks out when connecting the air hose	Make sure the air hose is securely connected.
The indicator does not light up after charging	Replace the adapter with safe and compliant ones, and charge again.

7. DECLARATION INFORMATION

TOXIC AND HAZARDOUS SUBSTANCES

PRODUCT	HAZARDOUS CHEMICALS					
	Pb	Hg	Cd	Cr (VI)	PBB	PBDE
TIRE INFLATOR	○	○	○	○	○	○

○ Indicates all homogeneous materials' hazardous substances content are below the limit specified in the Standard 2011/65/EU.

X Indicates that the hazardous substances content in at least one homogeneous material of the component exceed the limit specified in the Standard 2011/65/EU.

X Indicates that the replacement of non-environmental protection substances cannot be achieved currently due to the global technology limitations, which will be gradually improved with the technical improvement.

CE DECLARATION INQUIRY

Please visit the official website for Declaration of Conformity

Bitte besuchen Sie die offizielle Website für die Konformitätserklärung.

WARRANTY

This product is covered by a 12-month limited warranty for manufacturing defects.

929-693-6066 MON-FRI 9AM-5PM (ET)

www.fanttik.com

support@fanttik.com

METASEE LLC

12 GREENWAY PLZ STE 1161A HOUSTON, TX 77046-1203

Made in China

