

VEVOR[®]

TOUGH TOOLS, HALF PRICE

Technical Support and E-Warranty Certificate www.vevor.com/support

SANDBOX

MODEL:SG-1200B

We continue to be committed to provide you tools with competitive price. "Save Half", "Half Price" or any other similar expressions used by us only represents an estimate of savings you might benefit from buying certain tools with us compared to the major top brands and does not necessarily mean to cover all categories of tools offered by us. You are kindly reminded to verify carefully when you are placing an order with us if you are actually saving half in comparison with the top major brands.

VEVOR[®]

TOUGH TOOLS, HALF PRICE

SANDBOX

MODEL: SG-1200B



NEED HELP? CONTACT US!

Have product questions? Need technical support? Please feel free to contact us:

Technical Support and E-Warranty Certificate
www.vevor.com/support

This is the original instruction, please read all manual instructions carefully before operating. VEVOR reserves a clear interpretation of our user manual. The appearance of the product shall be subject to the product you received. Please forgive us that we won't inform you again if there are any technology or software updates on our product.

SAFETY INSTRUCTIONS



WARNING:

1. Please read all instructions carefully and keep it for future reference.
2. Assembled only by adults. Children should use this product under the parental supervision.
3. Keep all small parts and packaging materials for this product away from babies and children, otherwise they may pose a choking hazard.
4. Lack of attachment may cause a risk of tipping.
5. Do not overload.

Warning for Assembly:




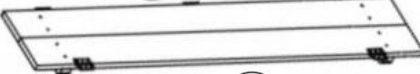












1. Remove all packaging, separate and count all parts and hardware.
2. Read through each step carefully and follow the proper order.
3. We recommend that, where possible, all items are assembled near the area in which they will be placed in use, to avoid moving the product unnecessarily once assembled.
4. Ensure a secure surface during installation, and place the product always on a flat, steady and stable surface.

MODEL AND PARAMETERS

Model	SG-1200B
Age of application	3-12 years
Max. bearing capacity	175lbs(80kg)/Each seat
Appearance	Square(With awning)
Product Size	145.5*120*120cm
Color	Orange-red
Materials	Wood

PARTS LIST AND INSTALLATION

NOTE: Please check you have all the parts as shown in the part list.

 <p style="text-align: center;">① X2</p>	 <p style="text-align: center;">② X4</p>
 <p style="text-align: center;">③ X6</p>	 <p style="text-align: center;">④ X2</p>
 <p style="text-align: center;">⑤ X2</p>	 <p style="text-align: center;">⑥ X4</p>
 <p style="text-align: center;">⑦ X2</p>	 <p style="text-align: center;">⑧ X2</p>
 <p style="text-align: center;">⑨ X2</p>	 <p style="text-align: center;">⑩ X4</p>
 <p style="text-align: center;">⑪ X6</p>	 <p style="text-align: center;">⑫ X4</p>
 <p style="text-align: center;">⑬ X1</p>	 <p style="text-align: center;">⑭ X1</p>
 <p>A(M3.0x38):24+1pcs B(M3.0x30):16+1pcs C(M3.0x16):30+1pcs D(M3.0x34):12+1pcs F(M3.0x22):8+1pcs</p>	 <p style="text-align: center;">User Manual x1</p>



E(M6x40):4+1pcs



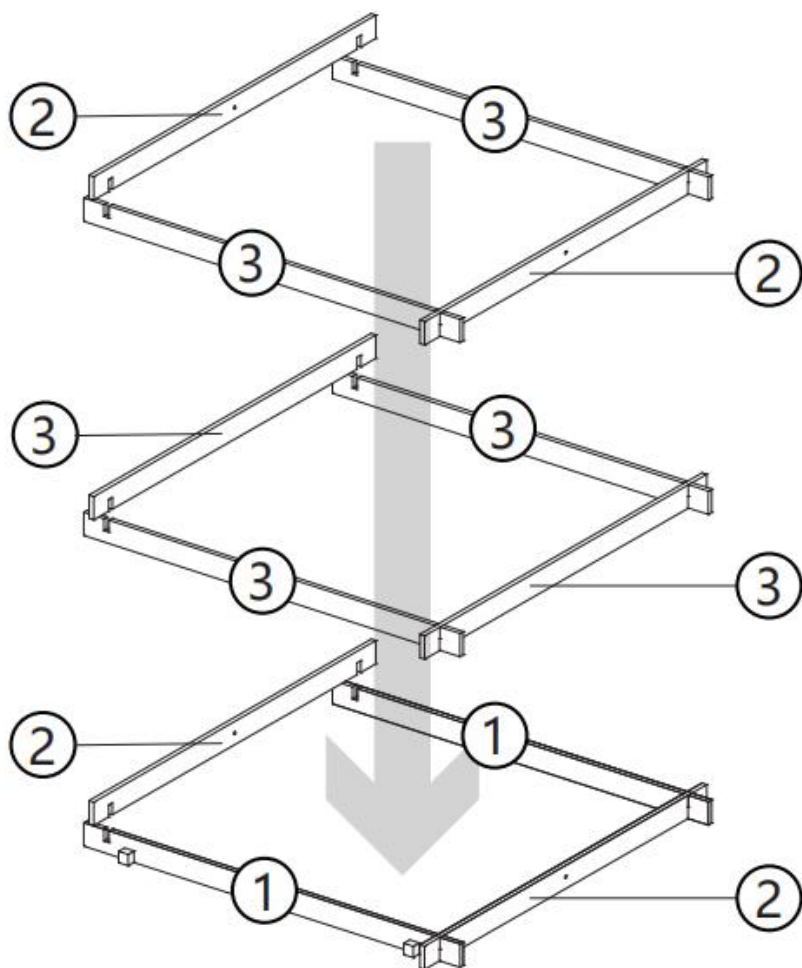
2pcs



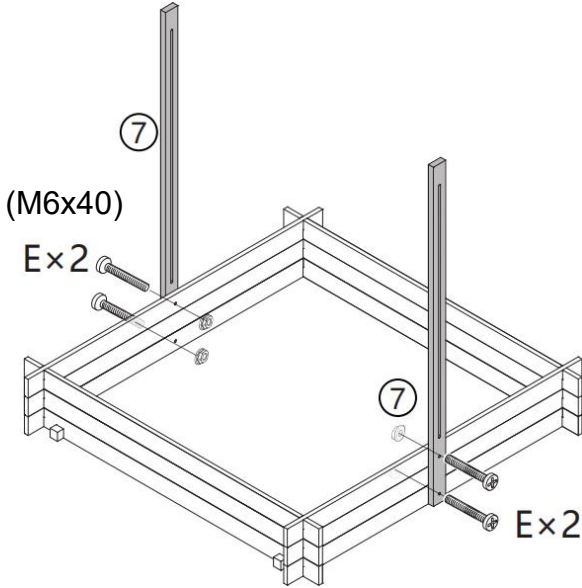
4pcs

Installation:

STEP 1: Stacking the frame.

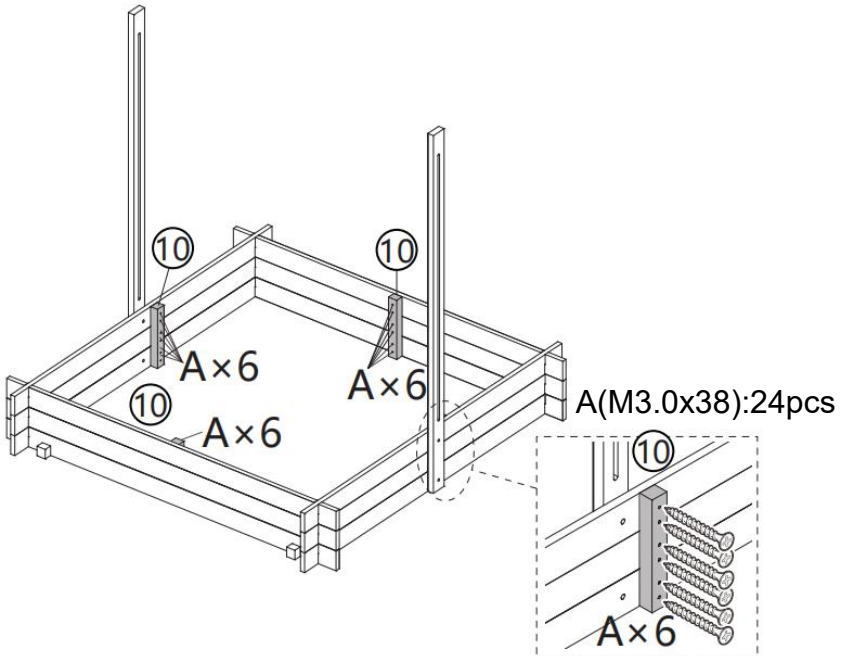


STEP 2: Install the awning support poles.



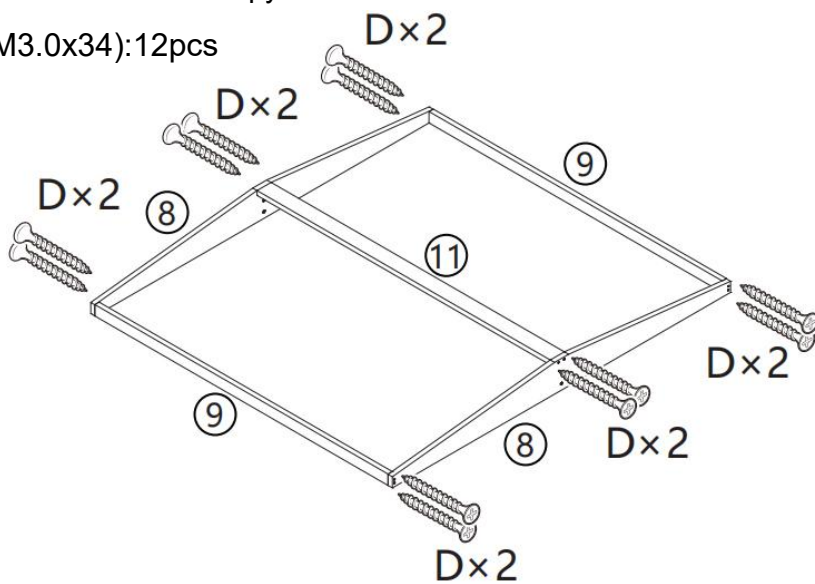
STEP 3: Mounting the reinforcement plates.

(NOTE: Preferably using a power tool.)

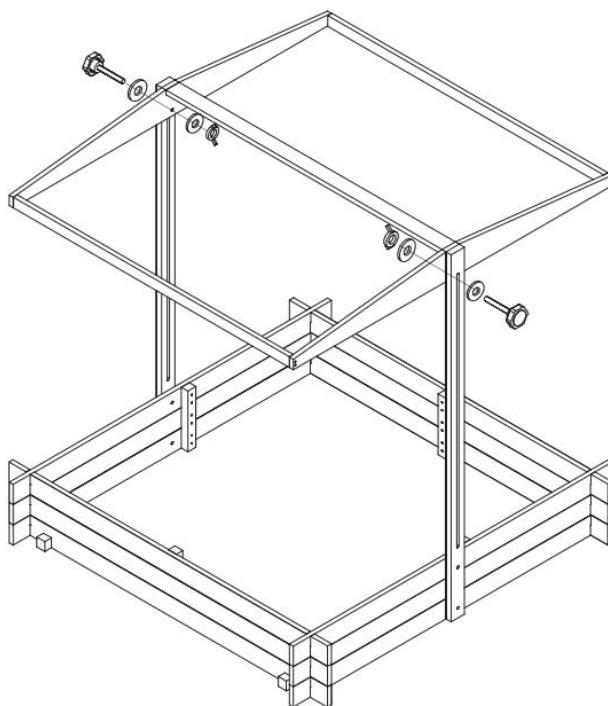
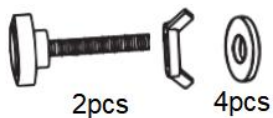


STEP 4: Install the canopy frame.

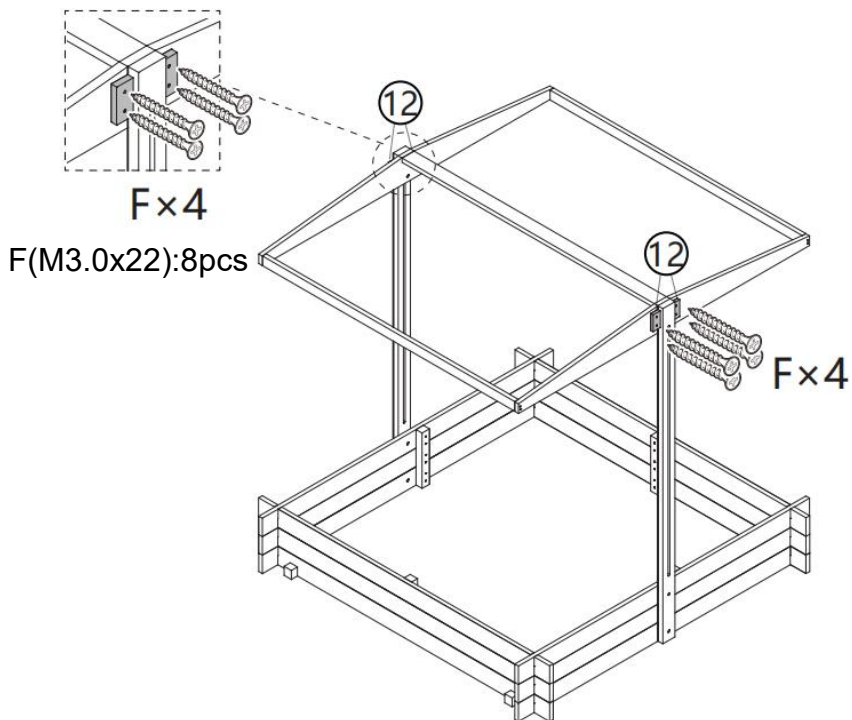
D(M3.0x34):12pcs



STEP 5: Install the canopy frame.

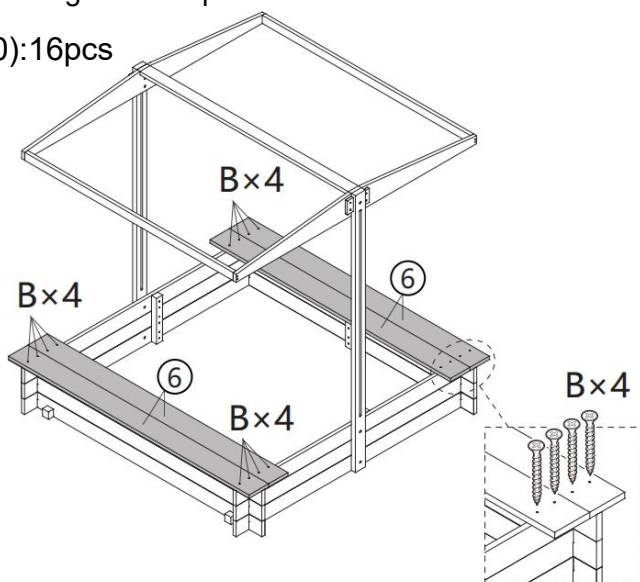


STEP 6: Install the canopy frame.



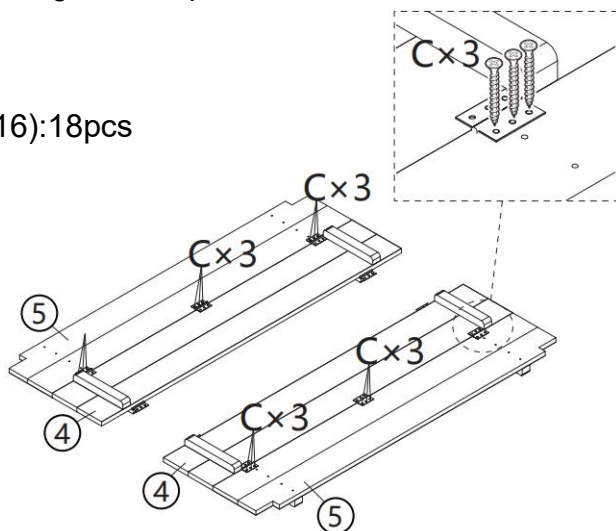
STEP 7: Mounting the seat plates.

B(M3.0x30):16pcs

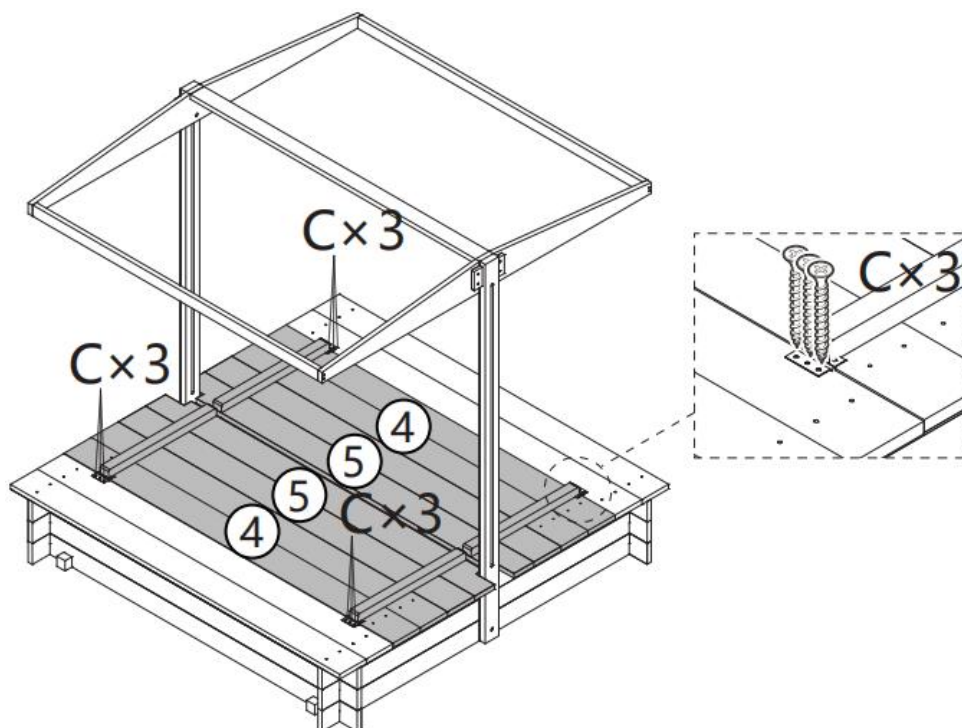


STEP 8: Mounting the seat plates.

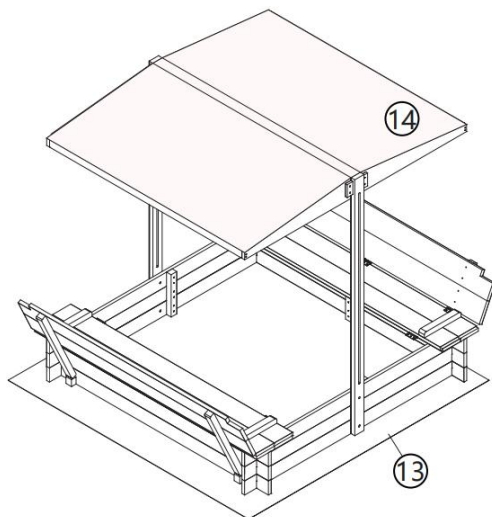
C(M3.0x16):18pcs



STEP 9: Mounting the hinges.



STEP 10: Install the top cloth and move the whole product onto the bottom cloth.



NOTE:

1. The seat folds and turns into a lid when not in use.
2. The canopy can be raised and lowered as required.

MAINTENANCE

1. Store away from direct sunlight.
2. Check the reliability of the parts before use.

Manufacturer: JIANYANG LONGSHENG ARTS CO.,LTD

Address: BAIDIYUAN,JIANGKOU TOWN,JIANYANG,FUJIAN,CHINA

**Imported to AUS: SIHAO PTY LTD. 1 ROKEVA STREETEASTWOOD NSW
2122 Australia**

**Imported to USA: Sanven Technology Ltd. Suite 250, 9166 Anaheim Place,
Rancho Cucamonga, CA 91730**

UK	REP
-----------	------------

E-CrossStu GmbH

Mainzer Landstr.69, 60329 Frankfurt am Main.

EC	REP
-----------	------------

YH CONSULTING LIMITED.

C/O YH Consulting Limited Office 147, Centurion House,
London Road, Staines-upon-Thames, Surrey, TW18 4AX

VEVOR[®]
TOUGH TOOLS, HALF PRICE

Technical Support and E-Warranty Certificate
www.vevor.com/support

VEVOR®

TOUGH TOOLS, HALF PRICE

Wsparcie techniczne i certyfikat e-gwarancji www.vevor.com/support

PIASKOWNICA

MODELU: SG-1200B

We continue to be committed to provide you tools with competitive price.

"Save Half", "Half Price" or any other similar expressions used by us only represents an estimate of savings you might benefit from buying certain tools with us compared to the major top brands and does not necessarily mean to cover all categories of tools offered by us. You are kindly reminded to verify carefully when you are placing an order with us if you are actually saving half in comparison with the top major brands.

VEVOR®

TOUGH TOOLS, HALF PRICE

SANDBOX

MODEL: SG-1200B



NEED HELP? CONTACT US!

Have product questions? Need technical support? Please feel free to contact us:

Technical Support and E-Warranty Certificate
www.vevor.com/support

This is the original instruction, please read all manual instructions carefully before operating. VEVOR reserves a clear interpretation of our user manual. The appearance of the product shall be subject to the product you received. Please forgive us that we won't inform you again if there are any technology or software updates on our product.

SAFETY INSTRUCTIONS

OSTRZEŻENIE:

6. Przeczytaj uważnie wszystkie instrukcje i zachowaj je na przyszłość.
7. Montowane wyłącznie przez osoby dorosłe . Dzieci powinny używać tego produktu pod nadzorem rodziców.
8. Wszystkie małe części i materiały opakowaniowe tego produktu należy przechowywać z dala od niemowląt i dzieci, w przeciwnym razie mogą stwarzać ryzyko zadławienia.
9. Brak mocowania może spowodować ryzyko przewrócenia się.
10. Nie przeciążaj .

Ostrzeżenie dotyczące montażu:

5. Usuń całe opakowanie, oddziel i policz wszystkie części i sprzęt.
6. Przeczytaj uważnie każdy krok i postępuj zgodnie z odpowiednią kolejnością.
7. Zalecamy, aby, jeśli to możliwe, zmontować wszystkie elementy w pobliżu miejsca, w którym będą używane, aby uniknąć niepotrzebnego przemieszczania produktu po złożeniu.
8. Podczas instalacji należy zapewnić bezpieczną powierzchnię i umieszczać produkt zawsze na płaskiej, stabilnej powierzchni.





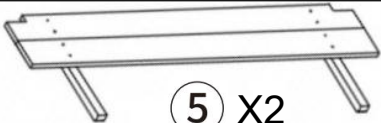









MODEL AND PARAMETERS

Model	SG-1200B
Wiek stosowania	3-12 lat
Maks . nośność	175 funtów (80 kg) /każde
Wygląd	Kwadratowy (z markizą)
Rozmiar produktu	145,5*120*120 cm

Kolor	Pomarańczowy czerwony
Materiały	Drewno

PARTS LIST AND INSTALLATION

UWAGA: Sprawdź, czy posiadasz wszystkie części wymienione na liście części.

 ① X2	 ② X4
 ③ X6	 ④ X2
 ⑤ X2	 ⑥ X4
 ⑦ X2	 ⑧ X2
 ⑨ X2	 ⑩ X4
 ⑪ X6	 ⑫ X4
 ⑬ X1	 ⑭ X1



A(M3.0x38):24+1pcs
B(M3.0x30):16+1pcs
C(M3.0x16):30+1pcs
D(M3.0x34):12+1pcs
F(M3.0x22):8+1pcs



Instrukcja obsługi x1



E(M6x40):4+1pcs



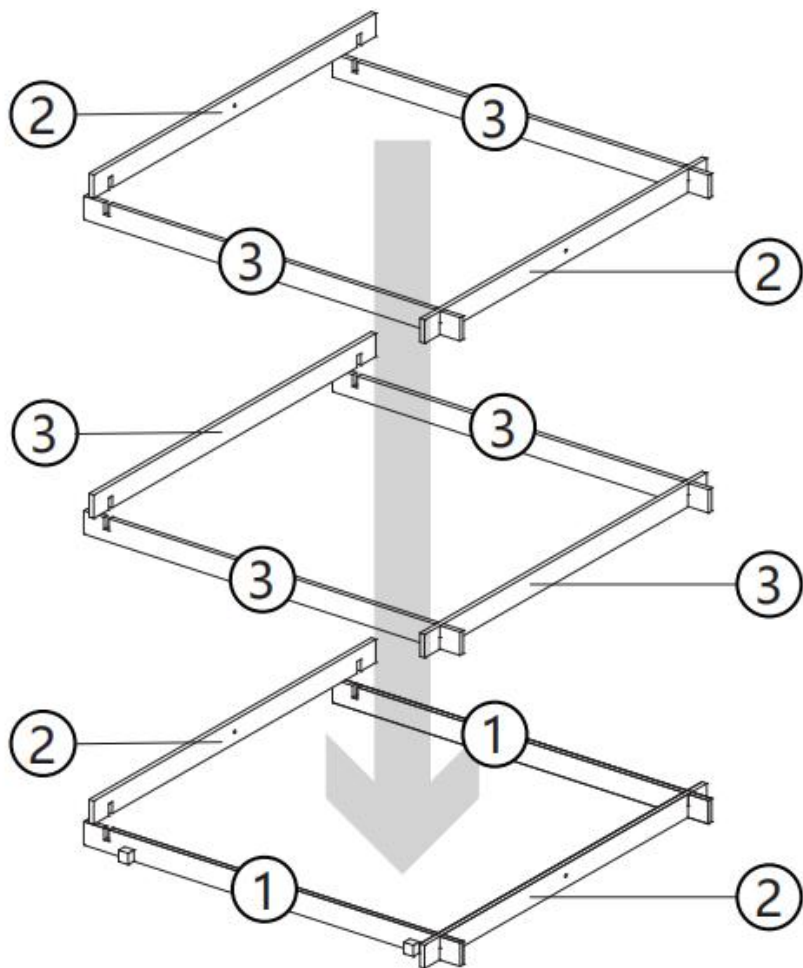
2pcs



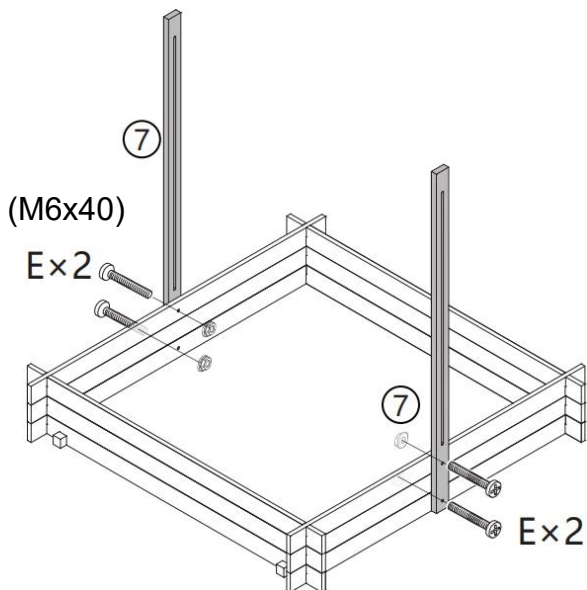
4pcs

Instalacja:

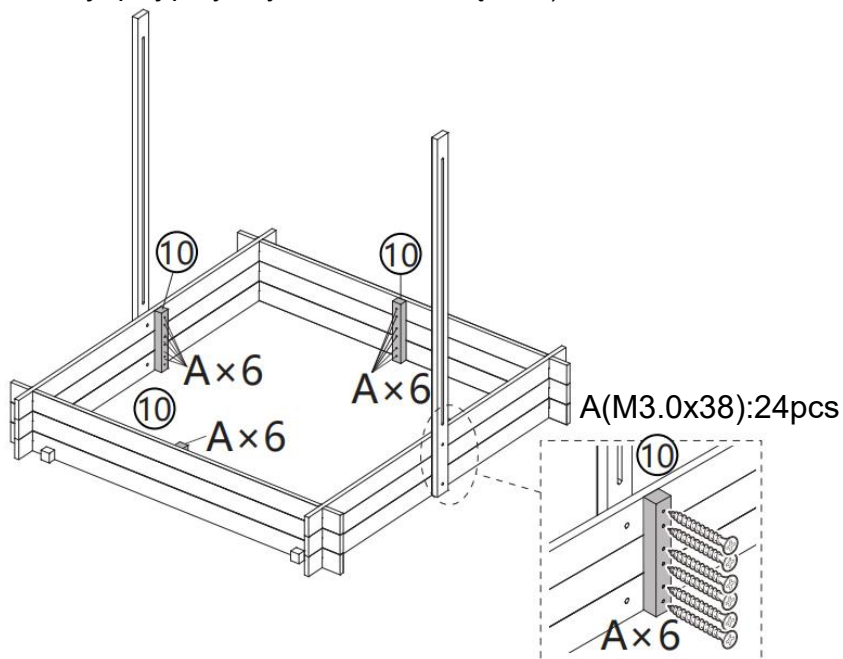
KROK 1: Układanie ramy.



KROK 2: Zamontuj słupki wsporcze markizy.

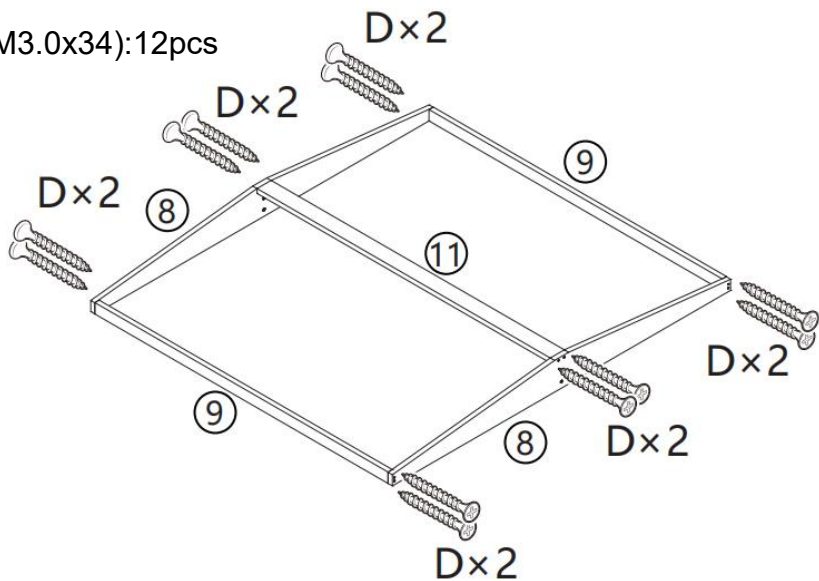


KROK 3: Montaż płyt wzmacniających.
 (**UWAGA:** Najlepiej przy użyciu elektronarzędzia.)

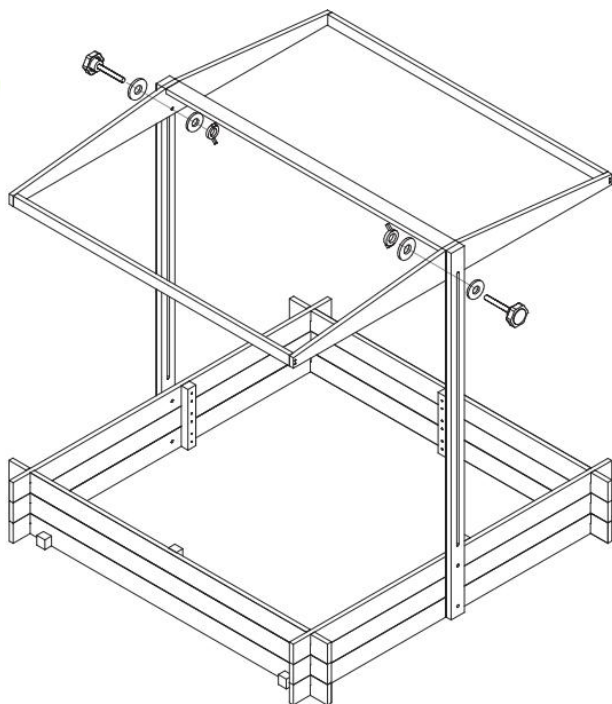
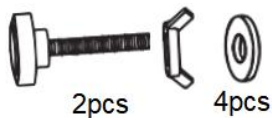


KROK 4: Zamontuj ramę baldachimu.

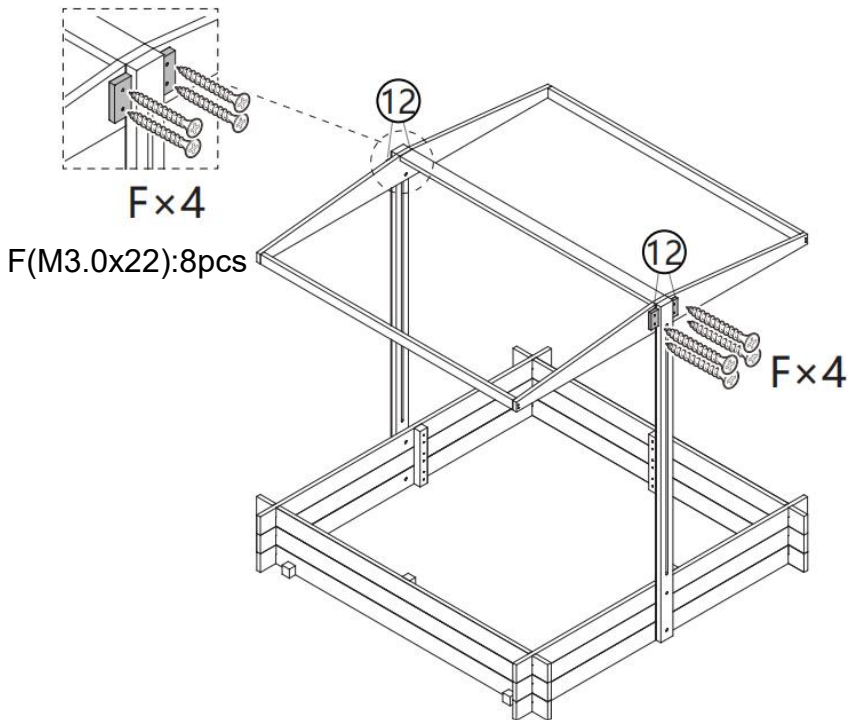
D(M3.0x34):12pcs



KROK 5: Zamontuj ramę baldachimu.

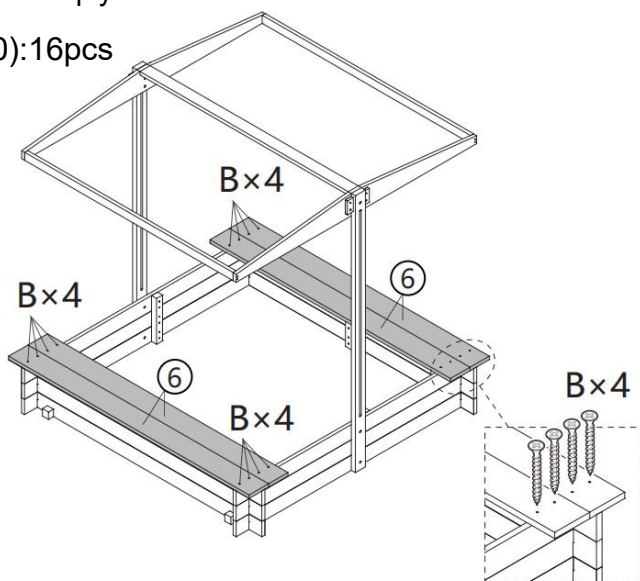


KROK 6: Zamontuj ramę baldachimu.



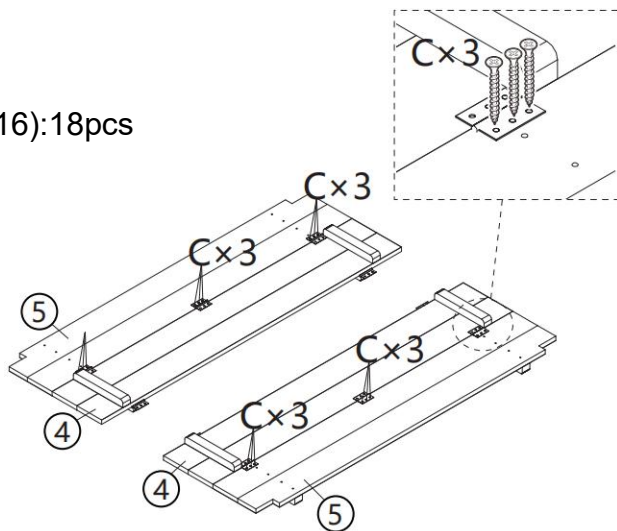
KROK 7: Montaż płyt siedziska.

B(M3.0x30):16pcs

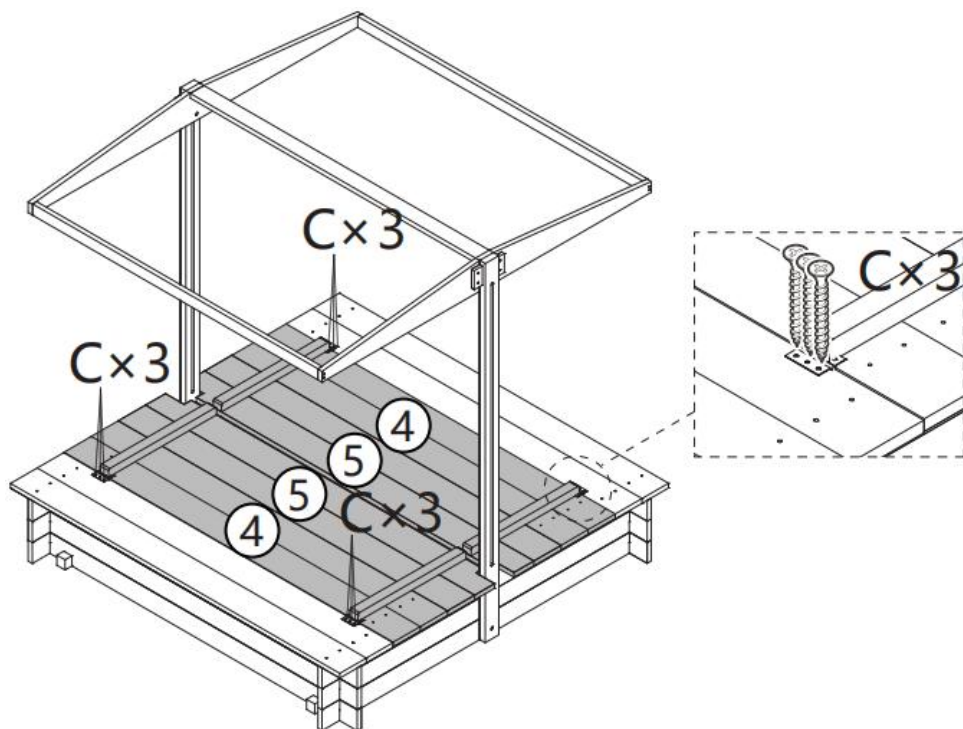


KROK 8: Montaż płyt siedziska.

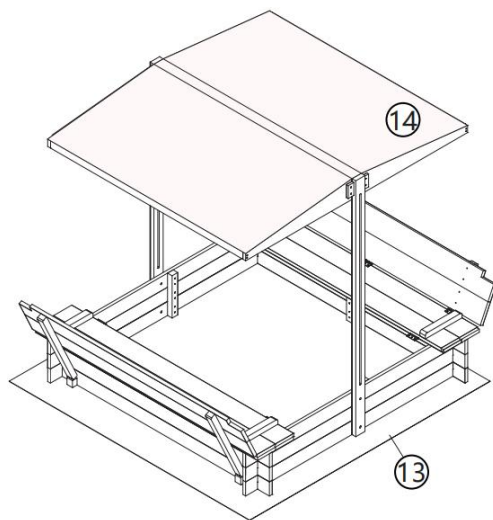
C(M3.0x16):18pcs



KROK 9: Montaż zawiasów.



KROK 10: Zainstaluj górną szmatkę i przesuń cały produkt na dolną tkaninę.



NOTATKA:

3. Siedzisko składa się i zamienia w pokrywę, gdy nie jest używane.
4. Daszek można podnosić i opuszczać w zależności od potrzeb.

MAINTENANCE

3. Przechowywać z dala od bezpośredniego światła słonecznego .
4. użyciem sprawdzić niezawodność części .

Producent: JIANYANG LONGSHENG ARTS CO.,LTD

Adres: BAIDIYUAN, MIASTO JIANGKOU, JIANYANG, FUJIAN, CHINY

**Import do AUS: SIHAO PTY LTD. 1 ROKEVA STREETEASTWOOD NSW 2122
Australia**

**Import do USA: Sanven Technology Ltd. Suite 250, 9166 Anaheim Place,
Rancho Cucamonga, CA 91730**

UK	REP
-----------	------------

E-CrossStu GmbH

Mainzer Landstr.69, 60329 Frankfurt am Main.

EC	REP
-----------	------------

YH CONSULTING LIMITED.

C/O YH Consulting Limited Office 147, Centurion House,
London Road, Staines-upon-Thames, Surrey, TW18 4AX

VEVOR[®]
TOUGH TOOLS, HALF PRICE

Techniczny Certyfikat wsparcia i e-gwarancji
www.vevor.com/support

VEVOR[®]

TOUGH TOOLS, HALF PRICE

Technischer Support und E-Garantiezertifikat www.vevor.com/support

SANDKASTEN

MODELL: SG-1200B

We continue to be committed to provide you tools with competitive price. "Save Half", "Half Price" or any other similar expressions used by us only represents an estimate of savings you might benefit from buying certain tools with us compared to the major top brands and does not necessarily mean to cover all categories of tools offered by us. You are kindly reminded to verify carefully when you are placing an order with us if you are actually saving half in comparison with the top major brands.

VEVOR®

TOUGH TOOLS, HALF PRICE

SANDBOX

MODELL: SG-1200B



NEED HELP? CONTACT US!

Have product questions? Need technical support? Please feel free to contact us:

Technical Support and E-Warranty Certificate
www.vevor.com/support

This is the original instruction, please read all manual instructions carefully before operating. VEVOR reserves a clear interpretation of our user manual. The appearance of the product shall be subject to the product you received. Please forgive us that we won't inform you again if there are any technology or software updates on our product.

SAFETY INSTRUCTIONS

WARNUNG:

11. Bitte lesen Sie alle Anweisungen sorgfältig durch und bewahren Sie sie zum späteren Nachschlagen auf.
12. Zusammenbau nur durch Erwachsene . Kinder sollten dieses Produkt unter Aufsicht der Eltern verwenden.
13. Halten Sie alle Kleinteile und Verpackungsmaterialien dieses Produkts von Babys und Kindern fern, da sie sonst eine Erstickungsgefahr darstellen können.
14. Fehlende Befestigung kann zu Kippgefahr führen.
15. Nicht überladen .

Warnung zur Montage:

9. Entfernen Sie sämtliche Verpackungen, trennen und zählen Sie alle Teile und Hardware.
10. Lesen Sie jeden Schritt sorgfältig durch und befolgen Sie die richtige Reihenfolge.
11. Wir empfehlen, alle Artikel nach Möglichkeit in der Nähe des Einsatzbereichs zu montieren, um zu vermeiden, dass das Produkt nach dem Zusammenbau unnötig bewegt wird.
12. Sorgen Sie bei der Installation für einen sicheren Untergrund und stellen Sie das Produkt immer auf eine ebene, stabile und stabile Oberfläche.


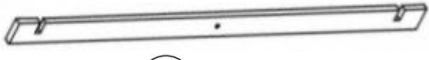

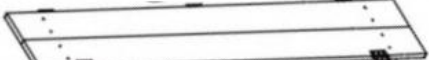
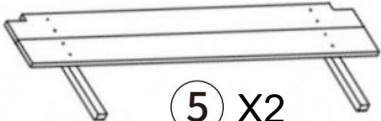







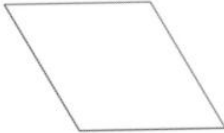
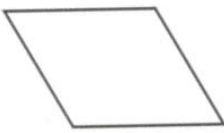
MODEL AND PARAMETERS

Modell	SG-1200B
Alter der Bewerbung	3-12 Jahre
Max . Tragfähigkeit	80 kg (175 lbs) /jeder Sitz
Aussehen	Quadratisch (mit Markise)

Produktgröße	145,5 * 120 * 120 cm
Farbe	Orange Rot
Materialien	Holz

PARTS LIST AND INSTALLATION

HINWEIS: Bitte überprüfen Sie, ob alle in der Teileliste aufgeführten Teile vorhanden sind.

 ① X2	 ② X4
 ③ X6	 ④ X2
 ⑤ X2	 ⑥ X4
 ⑦ X2	 ⑧ X2
 ⑨ X2	 ⑩ X4
 ⑪ X6	 ⑫ X4
 ⑬ X1	 ⑭ X1



A(M3.0x38):24+1pcs
B(M3.0x30):16+1pcs
C(M3.0x16):30+1pcs
D(M3.0x34):12+1pcs
F(M3.0x22):8+1pcs



Benutzerhandbuch x1



E(M6x40):4+1pcs



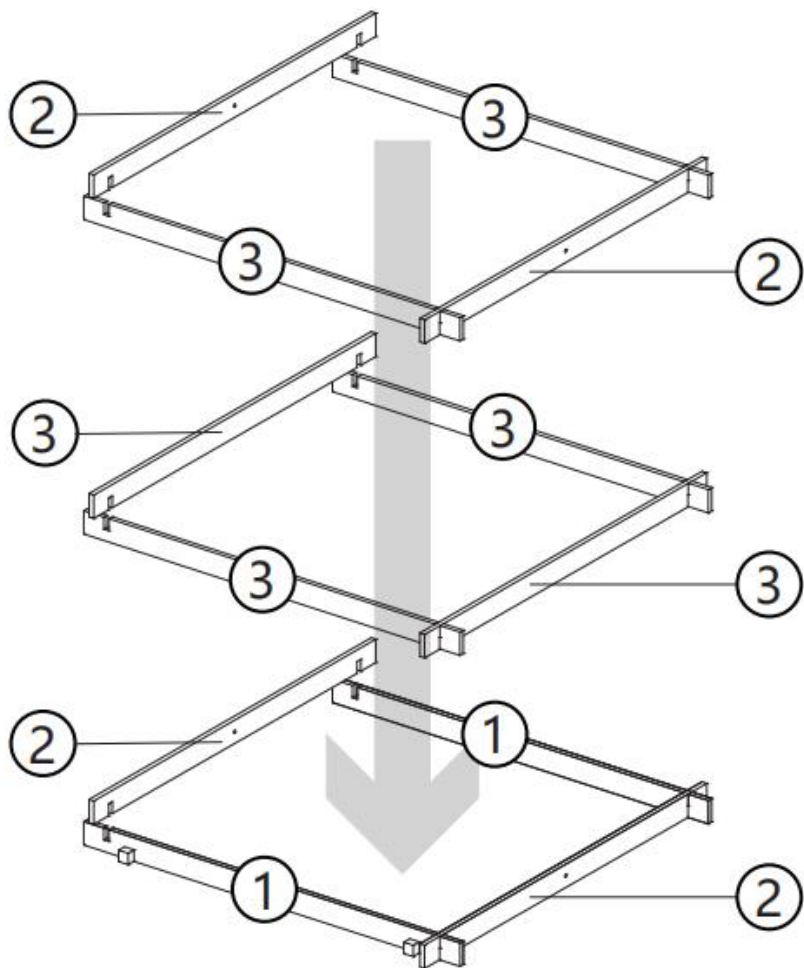
2pcs



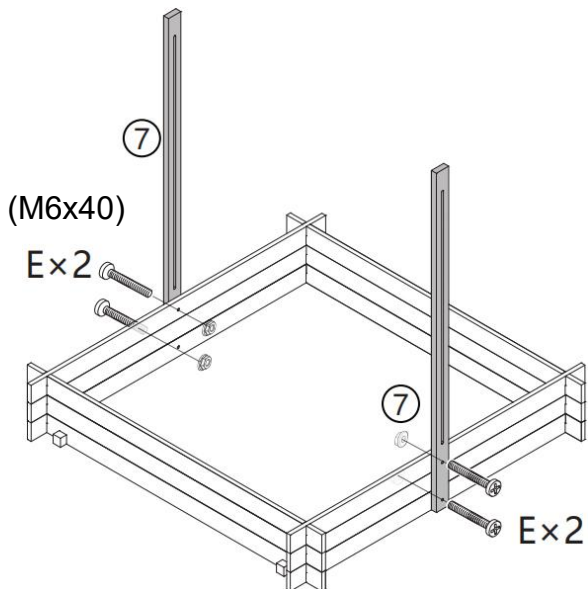
4pcs

Installation:

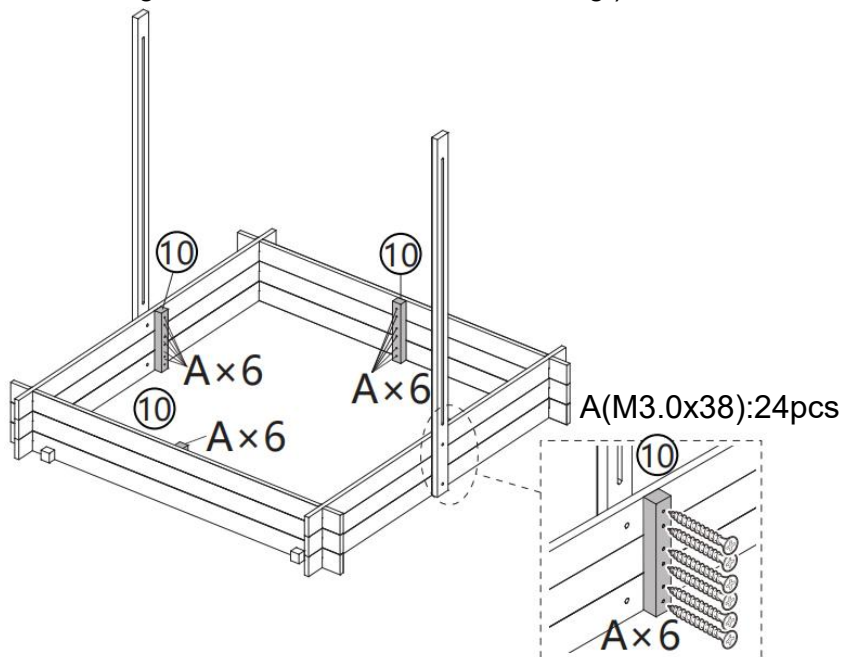
SCHRITT 1: Stapeln des Rahmens.



SCHRITT 2: Installieren Sie die Stützstangen der Markise.

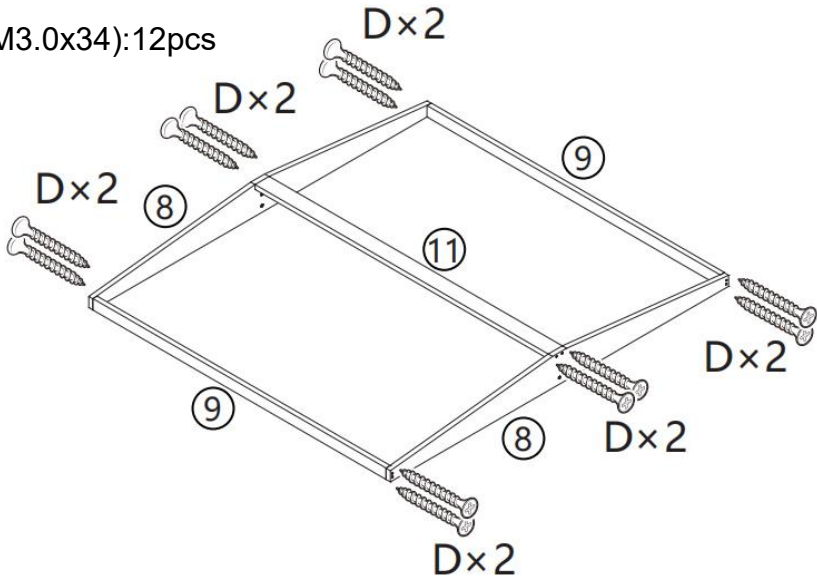


SCHRITT 3: Montage der Verstärkungsplatten.
(**HINWEIS:** Vorzugsweise mit einem Elektrowerkzeug.)

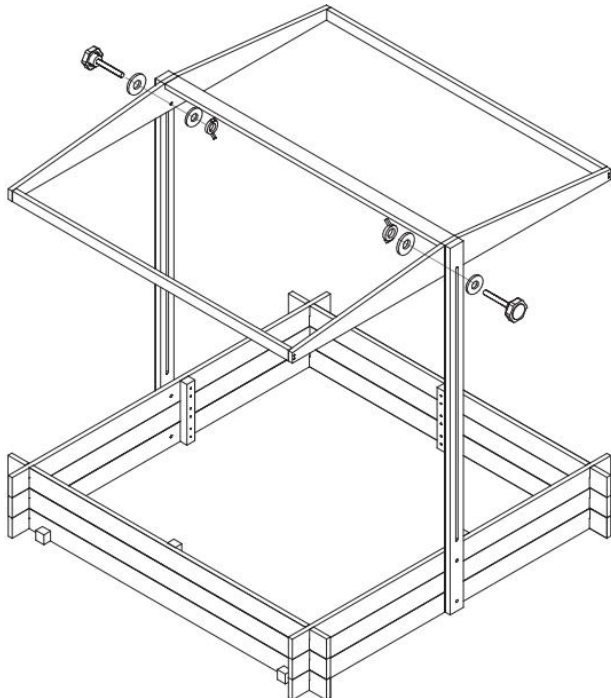
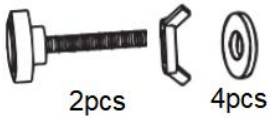


SCHRITT 4: Installieren Sie den Baldachinrahmen.

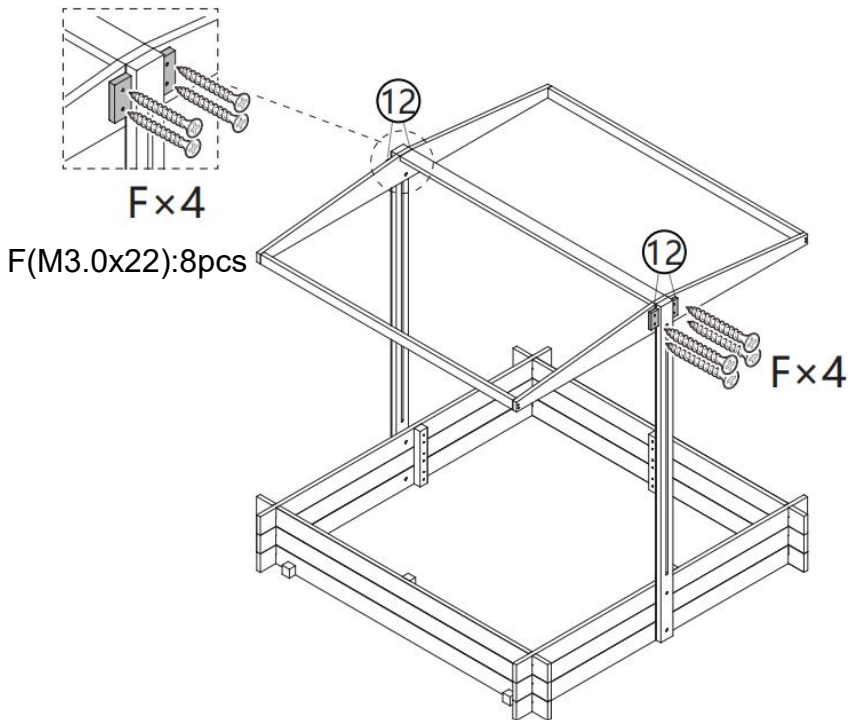
D(M3.0x34):12pcs



SCHRITT 5: Installieren Sie den Baldachinrahmen.

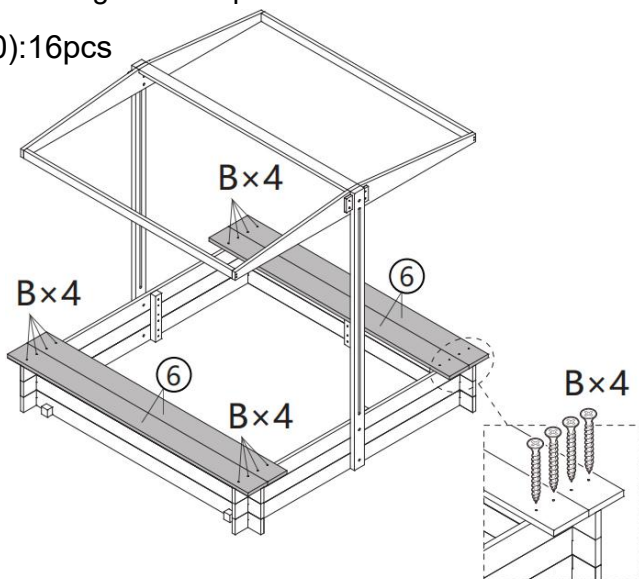


SCHRITT 6: Installieren Sie den Baldachinrahmen.



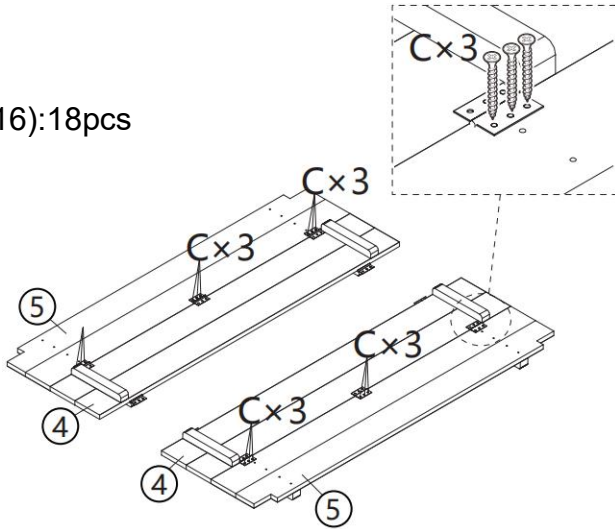
SCHRITT 7: Montage der Sitzplatten.

B(M3.0x30):16pcs

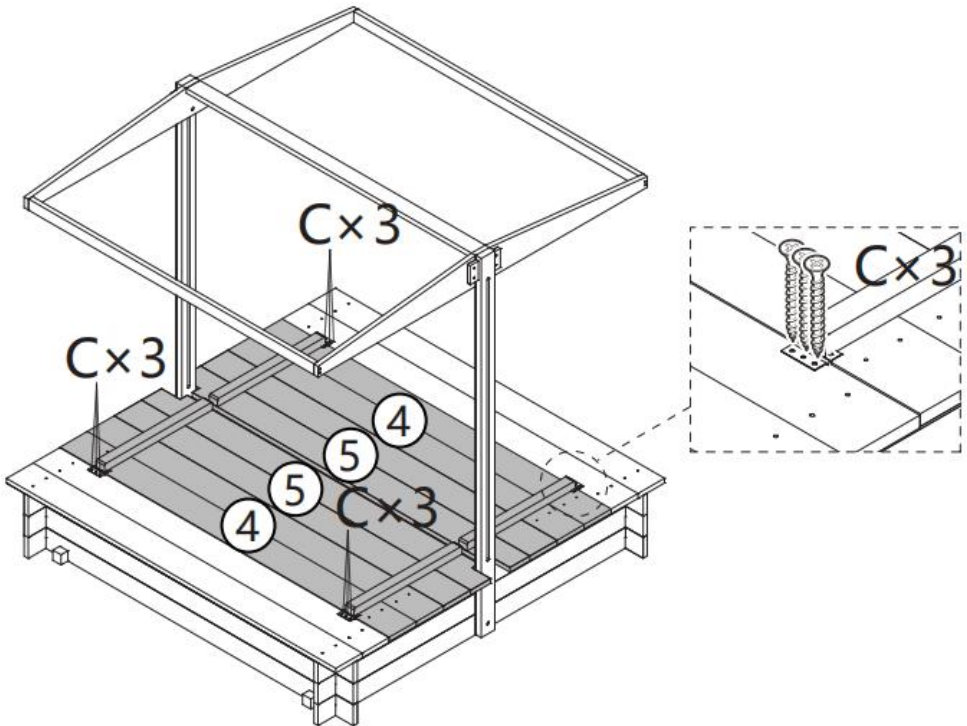


SCHRITT 8: Montage der Sitzplatten.

C(M3.0x16):18pcs

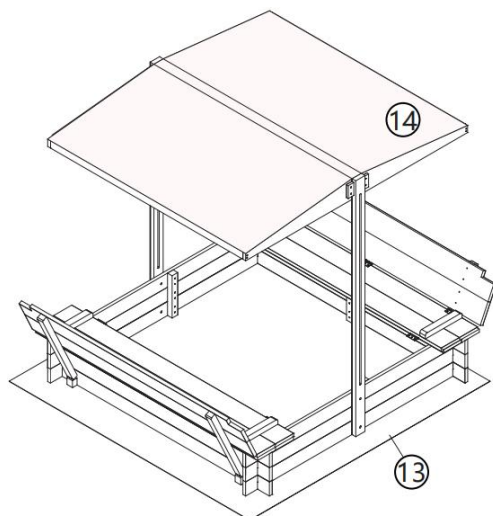


SCHRITT 9: Montage der Scharniere.



SCHRITT 10: Bringen Sie das obere Tuch an und verschieben Sie das

gesamte Produkt auf das untere Tuch.



NOTIZ:

5. Der Sitz lässt sich zusammenklappen und bei Nichtgebrauch in einen Deckel verwandeln.
6. Das Vordach kann je nach Bedarf angehoben und abgesenkt werden.

MAINTENANCE

5. Vor direkter Sonneneinstrahlung schützen .
6. Überprüfen Sie vor der Verwendung die Zuverlässigkeit der Teile .

Hersteller: JIANYANG LONGSHENG ARTS CO., LTD

Adresse: BAIDIYUAN, STADT JIANGKOU, JIANYANG, FUJIAN, CHINA

**Importiert nach AUS: SIHAO PTY LTD. 1 ROKEVA STREETEASTWOOD NSW
2122 Australien**

**In die USA importiert: Sanven Technology Ltd. Suite 250, 9166 Anaheim
Place, Rancho Cucamonga, CA 91730**



E-CrossStu GmbH

Mainzer Landstr.69, 60329 Frankfurt am Main.



YH CONSULTING LIMITED.

C/O YH Consulting Limited Office 147, Centurion House,
London Road, Staines-upon-Thames, Surrey, TW18 4AX

VEVOR[®]
TOUGH TOOLS, HALF PRICE

Technisch Support- und E-Garantiezertifikat
www.vevor.com/support

VEVOR[®]

TOUGH TOOLS, HALF PRICE

Assistance technique et certificat de garantie électronique www.vevor.com/support

BAC À SABLE

MODÈLE: SG-1200B

We continue to be committed to provide you tools with competitive price. "Save Half", "Half Price" or any other similar expressions used by us only represents an estimate of savings you might benefit from buying certain tools with us compared to the major top brands and does not necessarily mean to cover all categories of tools offered by us. You are kindly reminded to verify carefully when you are placing an order with us if you are actually saving half in comparison with the top major brands.

VEVOR[®]

TOUGH TOOLS, HALF PRICE

SANDBOX

MODÈLE : SG-1200B



NEED HELP? CONTACT US!

Have product questions? Need technical support? Please feel free to contact us:

Technical Support and E-Warranty Certificate
www.vevor.com/support

This is the original instruction, please read all manual instructions carefully before operating. VEVOR reserves a clear interpretation of our user manual. The appearance of the product shall be subject to the product you received. Please forgive us that we won't inform you again if there are any technology or software updates on our product.

SAFETY INSTRUCTIONS

AVERTISSEMENT:

16. Veuillez lire attentivement toutes les instructions et les conserver pour référence future.
17. Assemblé uniquement par des adultes . Les enfants doivent utiliser ce produit sous la surveillance parentale.
18. Gardez toutes les petites pièces et matériaux d'emballage de ce produit hors de portée des bébés et des enfants, sinon ils pourraient présenter un risque d'étouffement.
19. Un manque de fixation peut entraîner un risque de basculement.
20. Ne surchargez pas .

Avertissement pour l'assemblage :

13. Retirez tous les emballages, séparez et comptez toutes les pièces et le matériel.
14. Lisez attentivement chaque étape et suivez l'ordre approprié.
15. Nous recommandons que, dans la mesure du possible, tous les articles soient assemblés à proximité de la zone dans laquelle ils seront utilisés, afin d'éviter de déplacer inutilement le produit une fois assemblé.
16. Assurez-vous d'avoir une surface sûre lors de l'installation et placez toujours le produit sur une surface plane, stable et stable.




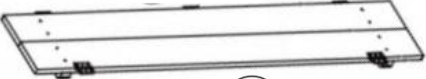
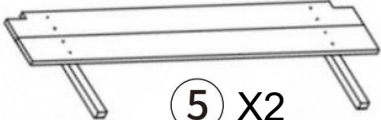








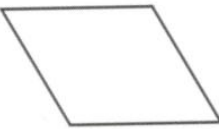
MODEL AND PARAMETERS

Modèle	SG-1200B
Âge de candidature	3-12 ans
Max . capacité portante	175 lb (80 kg) /Chaque siège
Apparence	Carré(Avec auvent)
Taille du produit	145,5*120*120cm

Couleur	Rouge-orange
Matériaux	Bois

PARTS LIST AND INSTALLATION

REMARQUE : Veuillez vérifier que vous disposez de toutes les pièces indiquées dans la liste des pièces.

 ① X2	 ② X4
 ③ X6	 ④ X2
 ⑤ X2	 ⑥ X4
 ⑦ X2	 ⑧ X2
 ⑨ X2	 ⑩ X4
 ⑪ X6	 ⑫ X4
 ⑬ X1	 ⑭ X1



A(M3.0x38):24+1pcs
B(M3.0x30):16+1pcs
C(M3.0x16):30+1pcs
D(M3.0x34):12+1pcs
F(M3.0x22):8+1pcs



Manuel d'utilisation x1



E(M6x40):4+1pcs



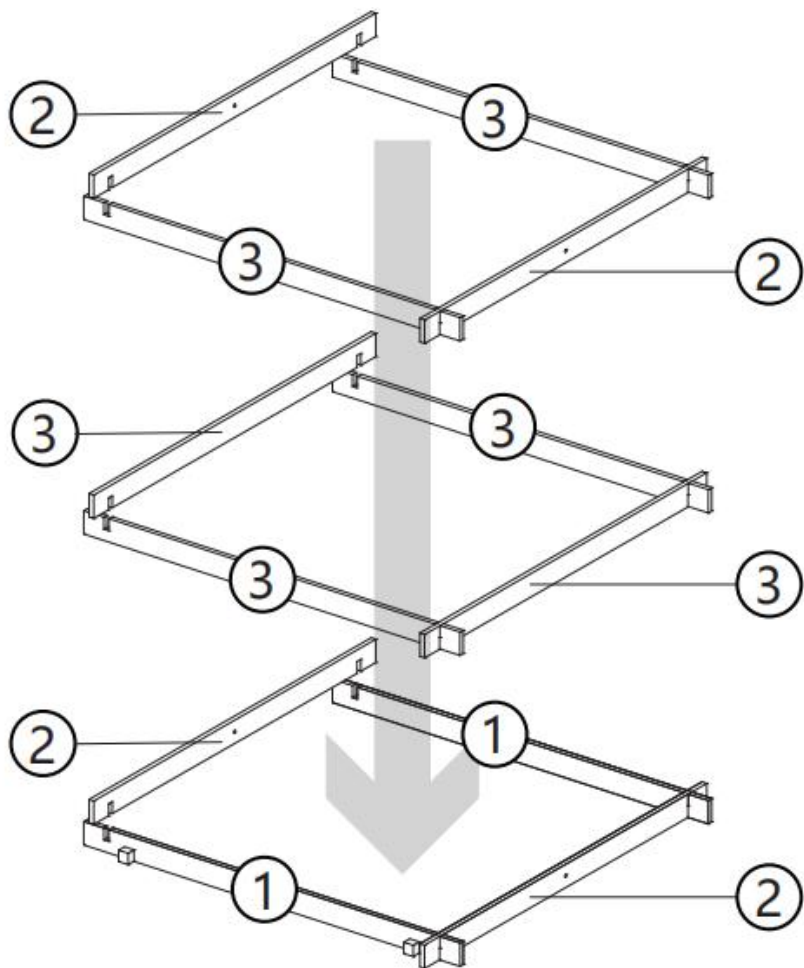
2pcs



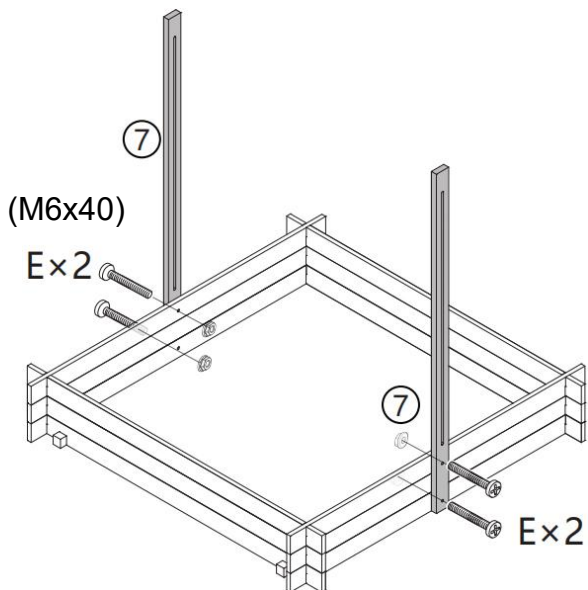
4pcs

Installation:

ÉTAPE 1 : Empiler le cadre.

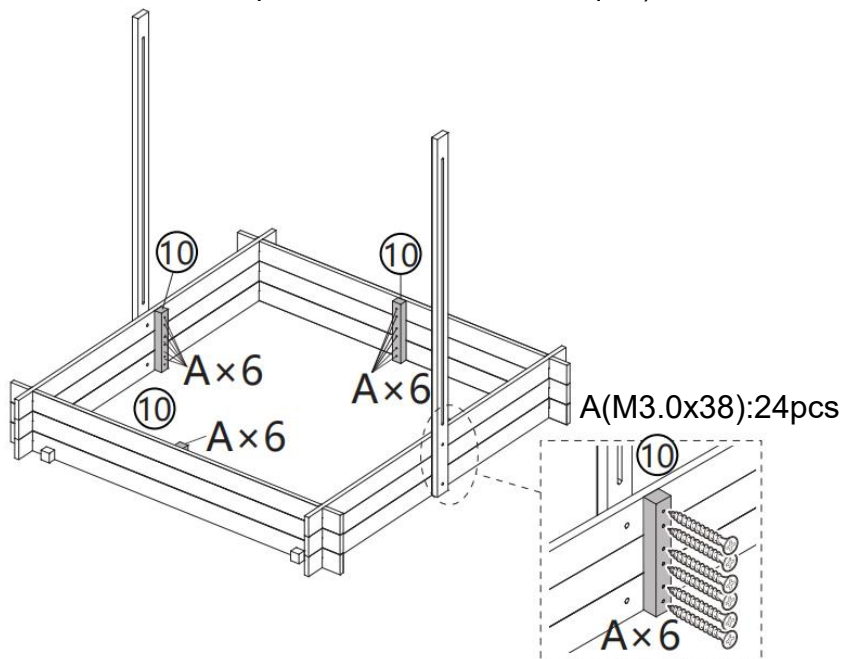


ÉTAPE 2 : Installez les poteaux de support de l'auvent.



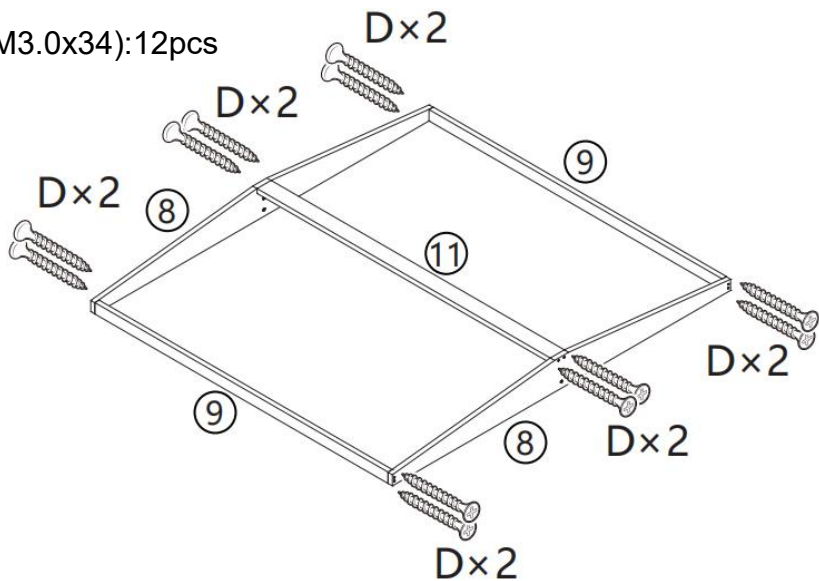
ÉTAPE 3 : Montage des plaques de renfort.

(**REMARQUE :** utilisez de préférence un outil électrique.)

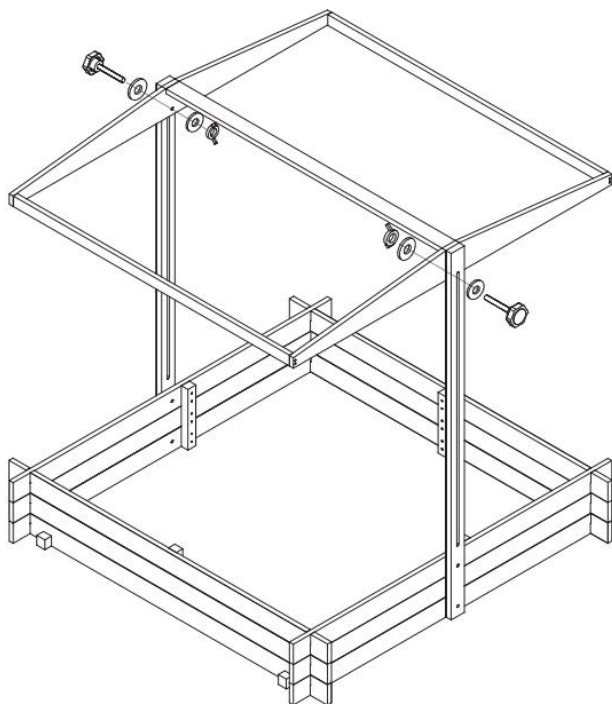
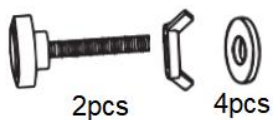


ÉTAPE 4 : Installez le cadre de l'auvent.

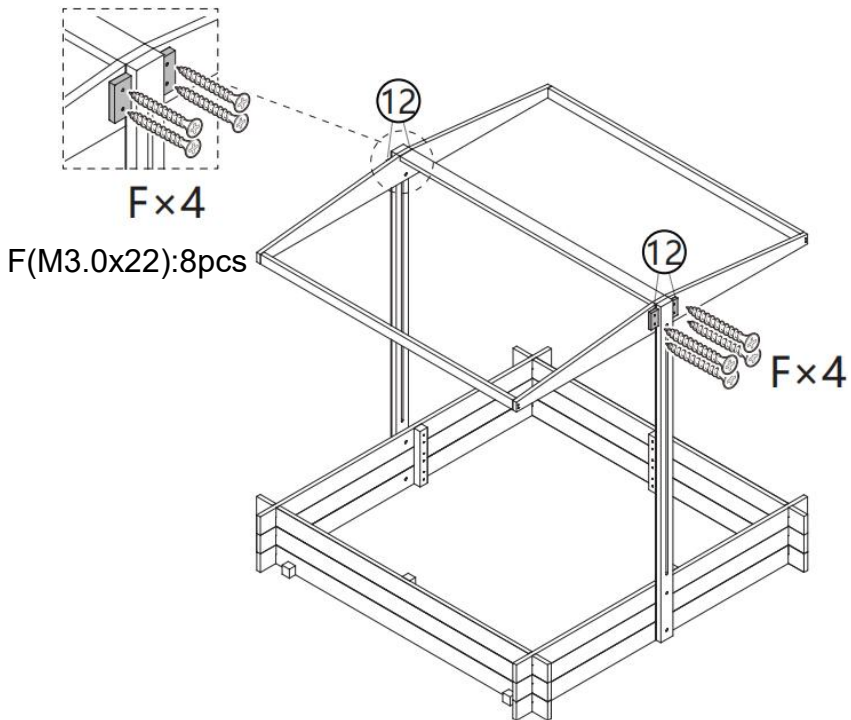
D(M3.0x34):12pcs



ÉTAPE 5 : Installez le cadre de l'auvent.

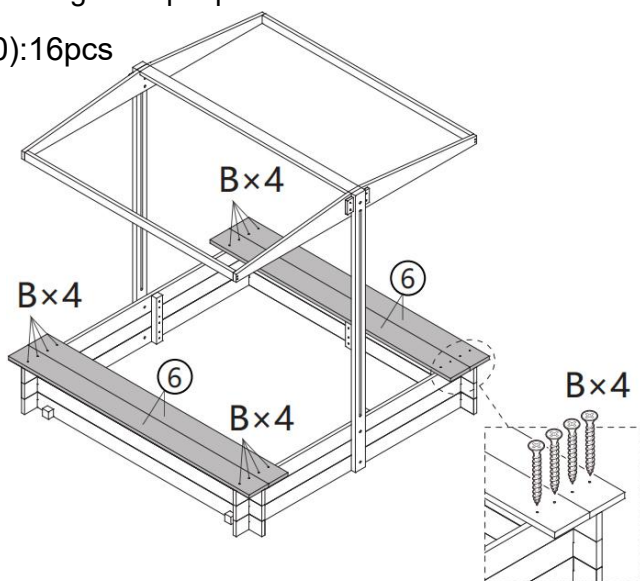


ÉTAPE 6 : Installez le cadre de l'auvent.



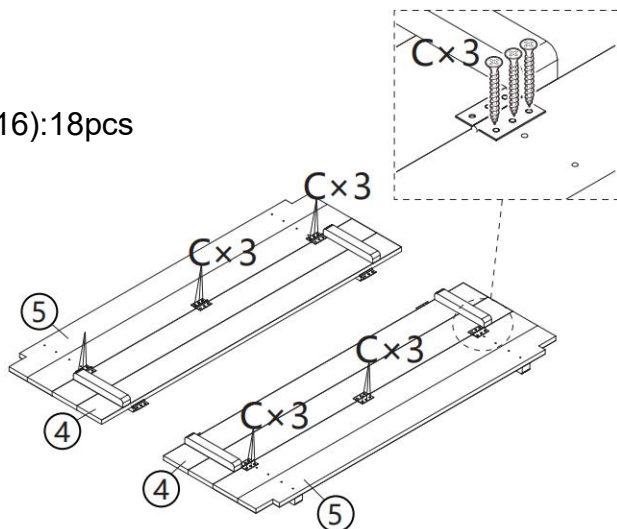
ÉTAPE 7 : Montage des plaques d'assise.

B(M3.0x30): 16pcs

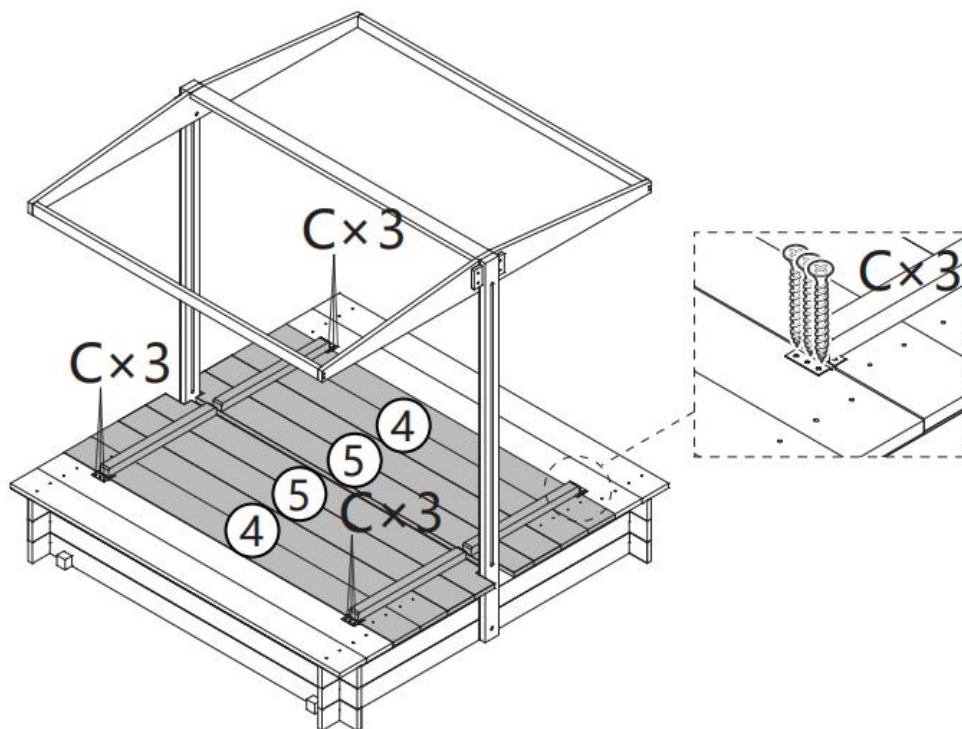


ÉTAPE 8 : Montage des plaques d'assise.

C(M3.0x16):18pcs

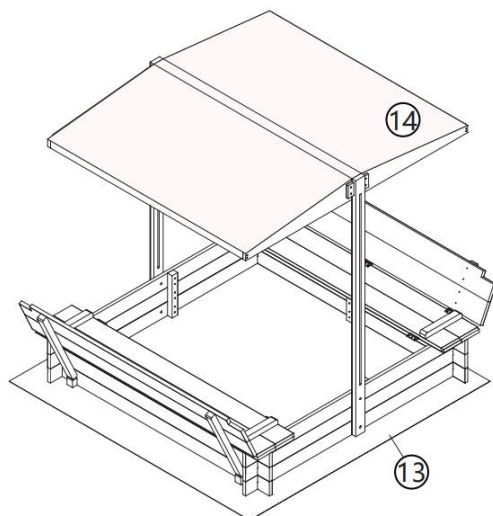


ÉTAPE 9 : Montage des charnières.



ÉTAPE 10 : Installez le tissu supérieur et déplacez l'ensemble du produit

sur le tissu inférieur.



NOTE:

7. Le siège se plie et se transforme en couvercle lorsqu'il n'est pas utilisé.
8. L'auvent peut être relevé et abaissé selon les besoins.

MAINTENANCE

7. Entreposer à l'écart de la lumière du soleil .
8. Vérifiez la fiabilité des pièces avant utilisation.

Fabricant: JIANYANG LONGSHENG ARTS CO., LTD

Adresse : BAIDIYUAN, VILLE DE JIANGKOU, JIANYANG, FUJIAN, CHINE
Importé en Australie : SIHAO PTY LTD. 1 ROKEVA STREETASTWOOD NSW
2122 Australie
Importé aux États-Unis : Sanven Technology Ltd. Suite 250, 9166 Anaheim
Place, Rancho Cucamonga, CA 91730

UK	REP
-----------	------------

E-CrossStu GmbH
Mainzer Landstr.69, 60329 Frankfurt am Main.

EC	REP
-----------	------------

YH CONSULTING LIMITED.
C/O YH Consulting Limited Office 147, Centurion House,
London Road, Staines-upon-Thames, Surrey, TW18 4AX

VEVOR[®]
TOUGH TOOLS, HALF PRICE

Technique Assistance et certificat de garantie électronique
www.vevor.com/support

VEVOR[®]

TOUGH TOOLS, HALF PRICE

Technische ondersteuning en e-garantiecertificaat www.vevor.com/support

ZANDBOX

MODEL: SG-1200B

We continue to be committed to provide you tools with competitive price.

"Save Half", "Half Price" or any other similar expressions used by us only represents an estimate of savings you might benefit from buying certain tools with us compared to the major top brands and does not necessarily mean to cover all categories of tools offered by us. You are kindly reminded to verify carefully when you are placing an order with us if you are actually saving half in comparison with the top major brands.

VEVOR[®]

TOUGH TOOLS, HALF PRICE

SANDBOX

MODEL: SG-1200B



NEED HELP? CONTACT US!

Have product questions? Need technical support? Please feel free to contact us:

Technical Support and E-Warranty Certificate
www.vevor.com/support

This is the original instruction, please read all manual instructions carefully before operating. VEVOR reserves a clear interpretation of our user manual. The appearance of the product shall be subject to the product you received. Please forgive us that we won't inform you again if there are any technology or software updates on our product.

SAFETY INSTRUCTIONS

WAARSCHUWING:

21. Lees alle instructies zorgvuldig door en bewaar deze voor toekomstig gebruik.
22. Alleen door volwassenen gemonteerd . Kinderen moeten dit product gebruiken onder ouderlijk toezicht.
23. Houd alle kleine onderdelen en verpakkingsmaterialen van dit product uit de buurt van baby's en kinderen, anders kunnen ze verstikkingsgevaar opleveren.
24. Een gebrek aan bevestiging kan een risico op kantelen veroorzaken.
25. Niet overbelasten .

Waarschuwing voor montage:


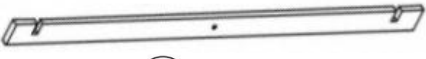

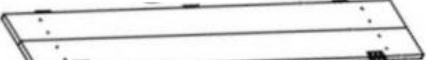

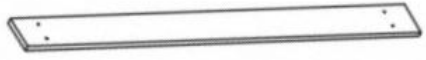







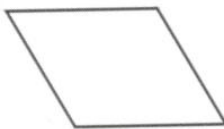
17. Verwijder alle verpakking, scheid en tel alle onderdelen en hardware.
18. Lees elke stap aandachtig door en volg de juiste volgorde.
19. Wij adviseren dat, waar mogelijk, alle artikelen worden gemonteerd in de buurt van de ruimte waar ze in gebruik zullen worden genomen, om te voorkomen dat het product na montage onnodig wordt verplaatst.
20. Zorg voor een veilige ondergrond tijdens de installatie en plaats het product altijd op een vlakke, stabiele en stabiele ondergrond.

MODEL AND PARAMETERS

Model	SG-1200B
Leeftijd van aanmelding	3-12 jaar
Max . draagvermogen	175 lbs (80 kg) /elke stoel
Verschijsing	Vierkant(Met luifel)
Product grootte	145,5*120*120cm
Kleur	Oranje rood

PARTS LIST AND INSTALLATION

OPMERKING: Controleer of u alle onderdelen heeft, zoals weergegeven in de onderdelenlijst.

 ① X2	 ② X4
 ③ X6	 ④ X2
 ⑤ X2	 ⑥ X4
 ⑦ X2	 ⑧ X2
 ⑨ X2	 ⑩ X4
 ⑪ X6	 ⑫ X4
 ⑬ X1	 ⑭ X1



A(M3.0x38):24+1pcs
B(M3.0x30):16+1pcs
C(M3.0x16):30+1pcs
D(M3.0x34):12+1pcs
F(M3.0x22):8+1pcs



Gebruikershandleiding x1



E(M6x40):4+1pcs



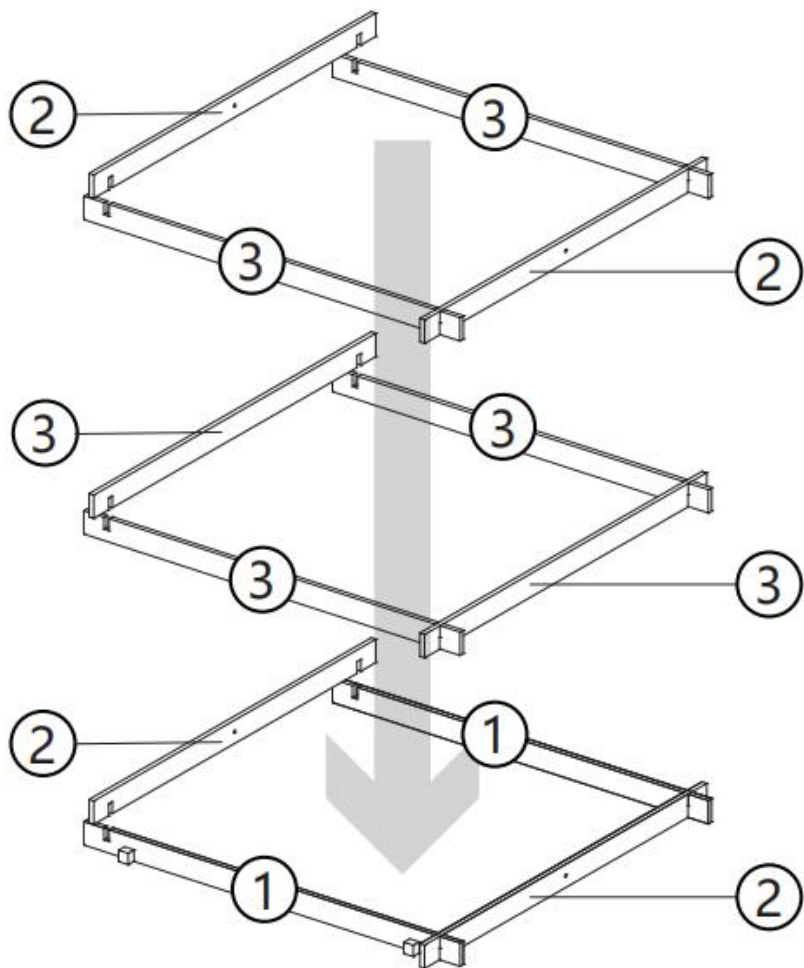
2pcs



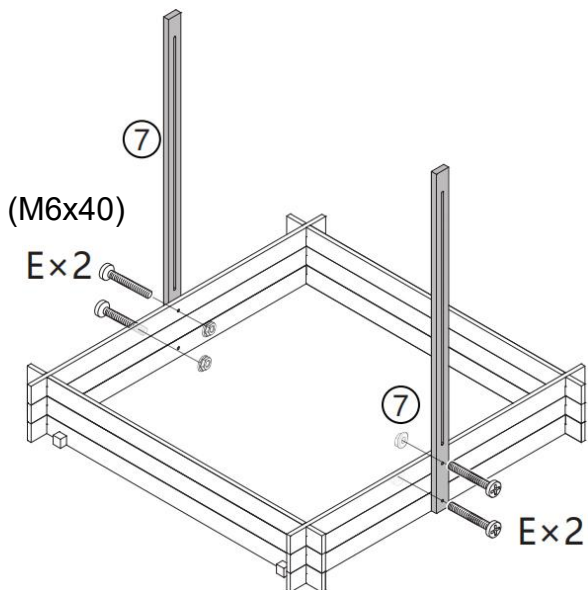
4pcs

Installatie:

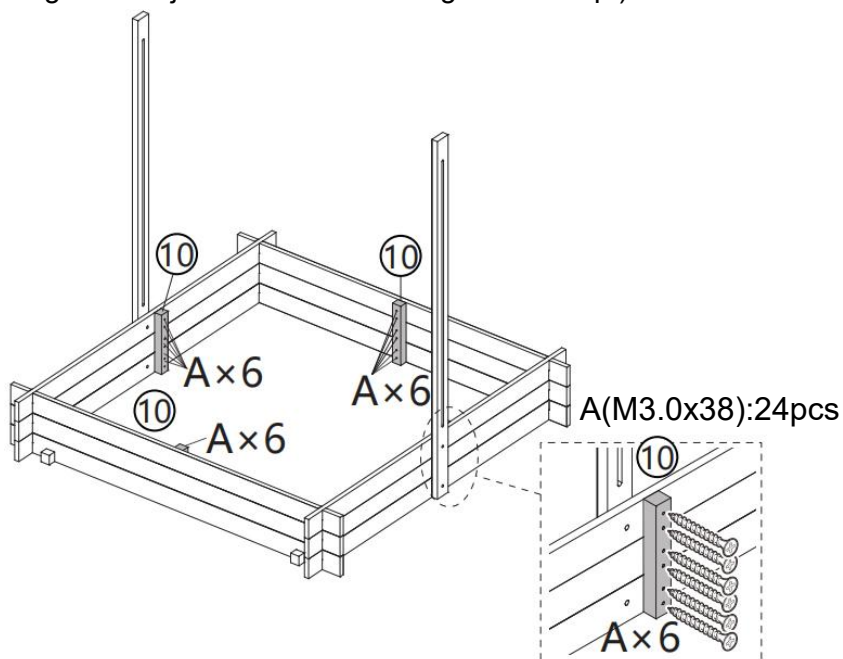
STAP 1: Het frame stapelen.



STAP 2: Installeer de steunpalen van de luifel.

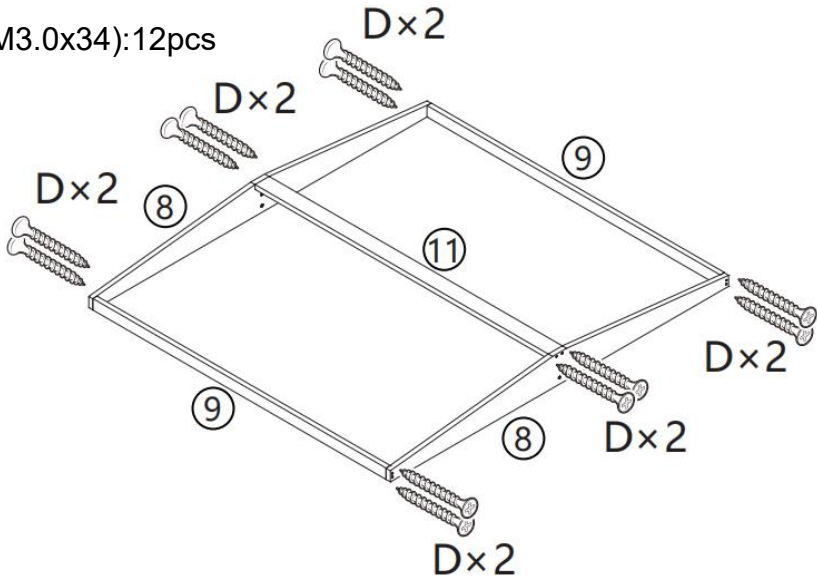


STAP 3: Montage van de versterkingsplaten.
 (**LET OP:** gebruik bij voorkeur elektrisch gereedschap.)

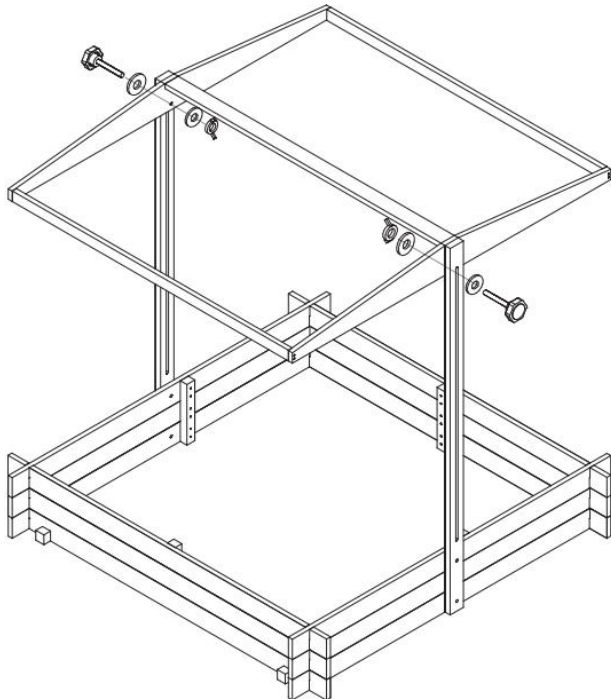
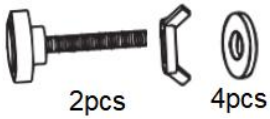


STAP 4: Installeer het luifelframe.

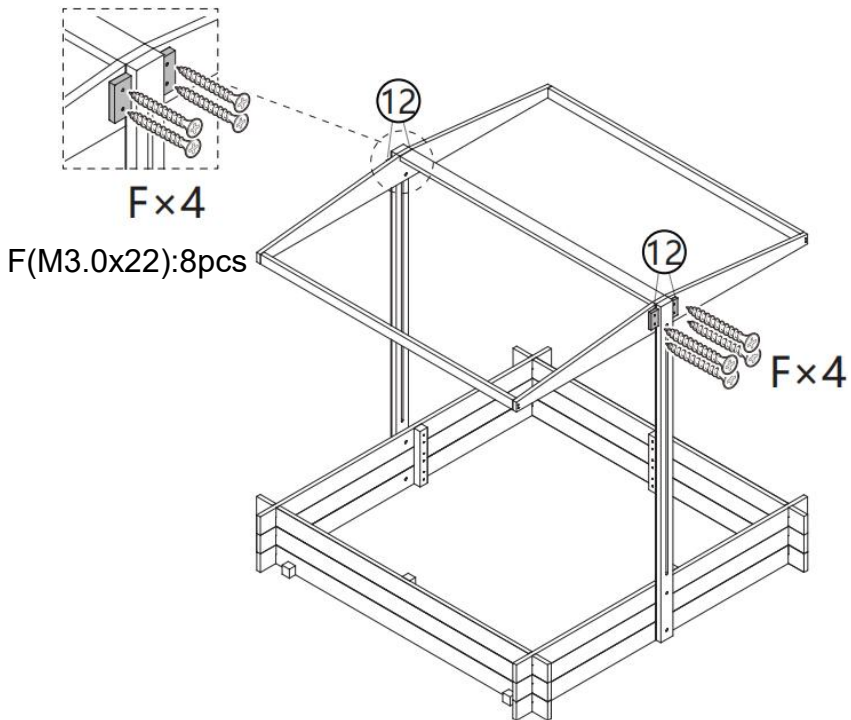
D(M3.0x34):12pcs



STAP 5: Installeer het luifelframe.

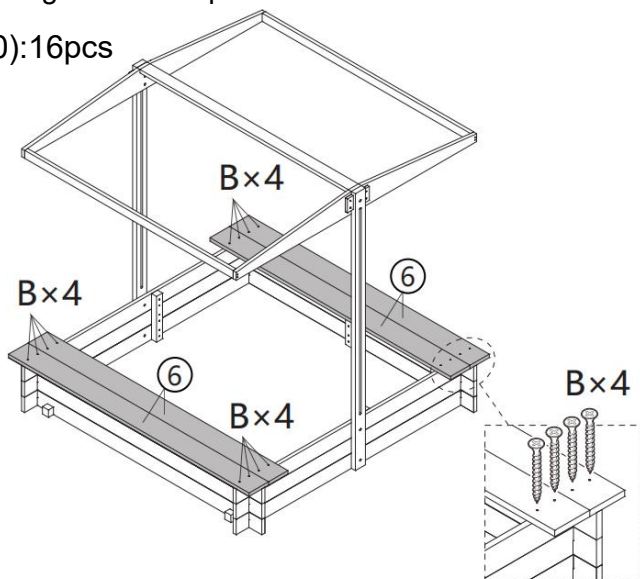


STAP 6: Installeer het luifelframe.



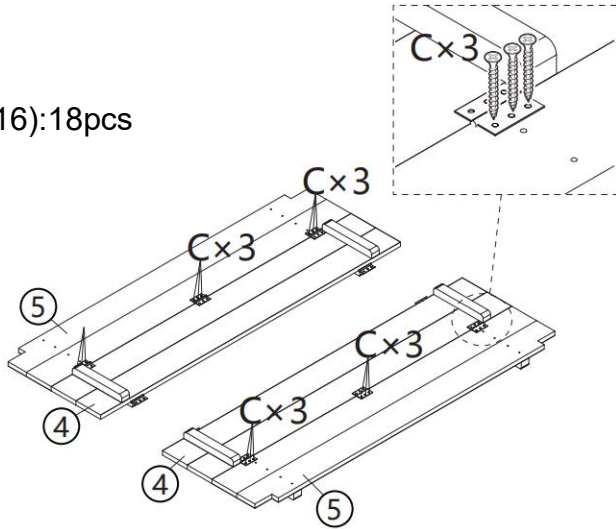
STAP 7: Montage van de zitplaten.

$B(M3.0 \times 30): 16 \text{ pcs}$

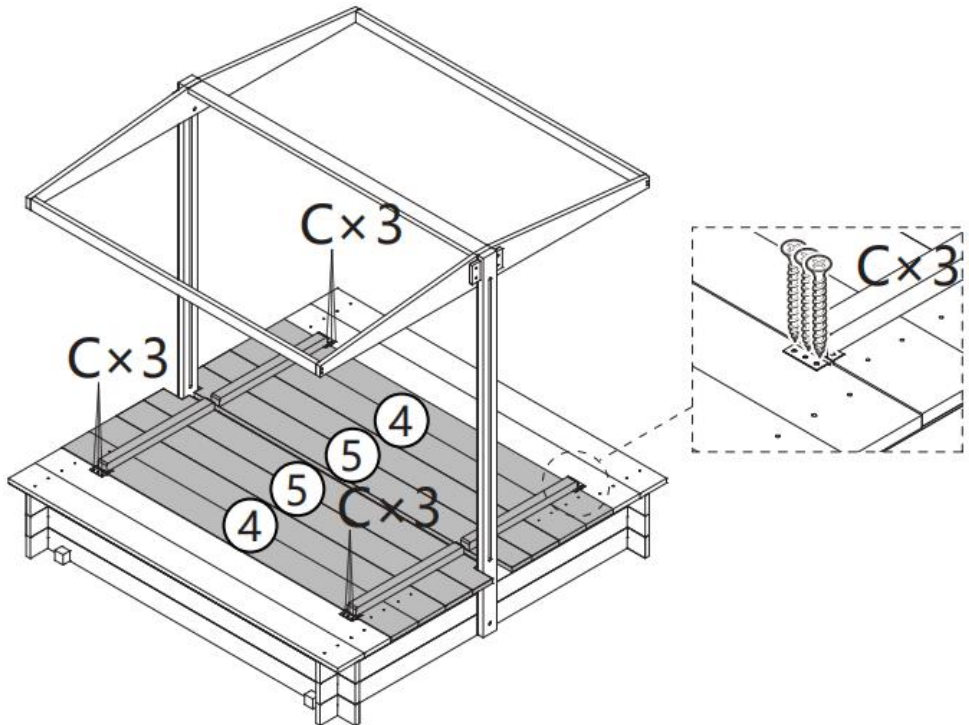


STAP 8: Montage van de zitplaten.

C(M3.0x16):18pcs

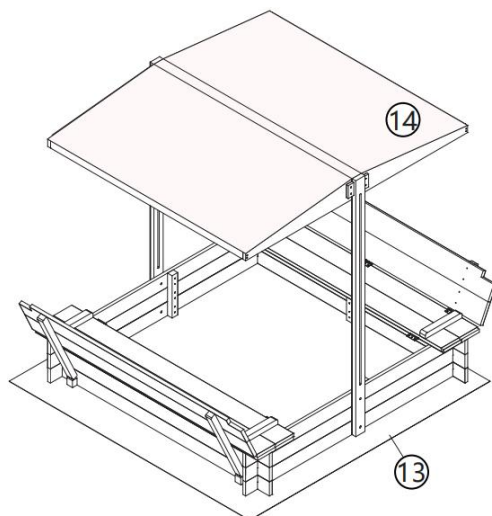


STAP 9: Montage van de scharnieren.



STAP 10: Installeer het bovenste doek en verplaats het hele product naar

het onderste doek.



OPMERKING:

9. De zitting kan worden ingeklapt en verandert in een deksel wanneer deze niet wordt gebruikt.

10. De overkapping kan naar wens omhoog en omlaag worden gezet.

MAINTENANCE

9. Buiten direct zonlicht bewaren .

10. gebruik de betrouwbaarheid van de onderdelen .

Fabrikant: JIANYANG LONGSHENG ARTS CO.,LTD

Adres: BAIDIYUAN, JIANGKOU STAD, JIANYANG, FUJIAN, CHINA

**Geïmporteerd naar AUS: SIHAO PTY LTD. 1 ROKEVA STREETEASTWOOD
NSW 2122 Australië**

**Geïmporteerd naar de VS: Sanven Technology Ltd. Suite 250, 9166 Anaheim
Place, Rancho Cucamonga, CA 91730**



E-CrossStu GmbH

Mainzer Landstr.69, 60329 Frankfurt am Main.



YH CONSULTING LIMITED.

C/O YH Consulting Limited Office 147, Centurion House,
London Road, Staines-upon-Thames, Surrey, TW18 4AX

VEVOR[®]
TOUGH TOOLS, HALF PRICE

Technisch Ondersteuning en e-garantiecertificaat
www.vevor.com/support

VEVOR[®]

TOUGH TOOLS, HALF PRICE

Teknisk support och e-garanticertifikat www.vevor.com/support

SANDLÅDA

MODELL: SG-1200B

We continue to be committed to provide you tools with competitive price. "Save Half", "Half Price" or any other similar expressions used by us only represents an estimate of savings you might benefit from buying certain tools with us compared to the major top brands and does not necessarily mean to cover all categories of tools offered by us. You are kindly reminded to verify carefully when you are placing an order with us if you are actually saving half in comparison with the top major brands.

VEVOR®

TOUGH TOOLS, HALF PRICE

SANDBOX

MODELL: SG-1200B



NEED HELP? CONTACT US!

Have product questions? Need technical support? Please feel free to contact us:

Technical Support and E-Warranty Certificate
www.vevor.com/support

This is the original instruction, please read all manual instructions carefully before operating. VEVOR reserves a clear interpretation of our user manual. The appearance of the product shall be subject to the product you received. Please forgive us that we won't inform you again if there are any technology or software updates on our product.

SAFETY INSTRUCTIONS

WARNING:

26. Läs alla instruktioner noggrant och spara dem för framtida referens.
27. Monteras endast av vuxna . Barn bör använda denna produkt under överinseende av föräldrar.
28. Håll alla små delar och förpackningsmaterial för denna produkt borta från spädbarn och barn, annars kan de utgöra en kvävningrisk.
29. Brist på infästning kan orsaka tippningsrisk.
30. Överbelasta inte .

Varning för montering:


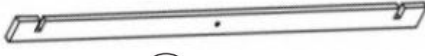

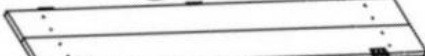
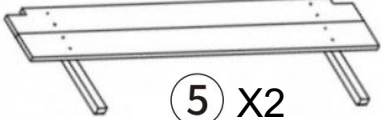


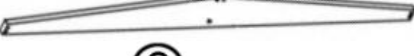





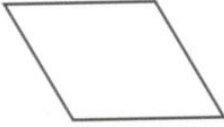
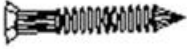

21. Ta bort all förpackning, separera och räkna alla delar och hårdvara.
22. Läs igenom varje steg noggrant och följ rätt ordning.
23. Vi rekommenderar att, där det är möjligt, alla föremål monteras nära det område där de kommer att användas, för att undvika att produkten flyttas i onödan när den väl har monterats.
24. Säkerställ en säker yta under installationen och placera alltid produkten på en plan, stadig och stabil yta.

MODEL AND PARAMETERS

Modell	SG-1200B
Ansökningsålder	3-12 år
Max . bärkraft	175 lbs (80 kg) / Varje säte
Utseende	Fyrkantig (med markis)
Produktstorlek	145,5*120*120cm
Färg	Orange röd
Material	Trä

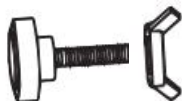
PARTS LIST AND INSTALLATION

OBS: Kontrollera att du har alla delar som visas i dellistan.

 <p>① X2</p>	 <p>② X4</p>
 <p>③ X6</p>	 <p>④ X2</p>
 <p>⑤ X2</p>	 <p>⑥ X4</p>
 <p>⑦ X2</p>	 <p>⑧ X2</p>
 <p>⑨ X2</p>	 <p>⑩ X4</p>
 <p>⑪ X6</p>	 <p>⑫ X4</p>
 <p>⑬ X1</p>	 <p>⑭ X1</p>
 <p>A(M3.0x38):24+1pcs B(M3.0x30):16+1pcs C(M3.0x16):30+1pcs D(M3.0x34):12+1pcs F(M3.0x22):8+1pcs</p>	 <p>Användarmanual x1</p>



E(M6x40):4+1pcs



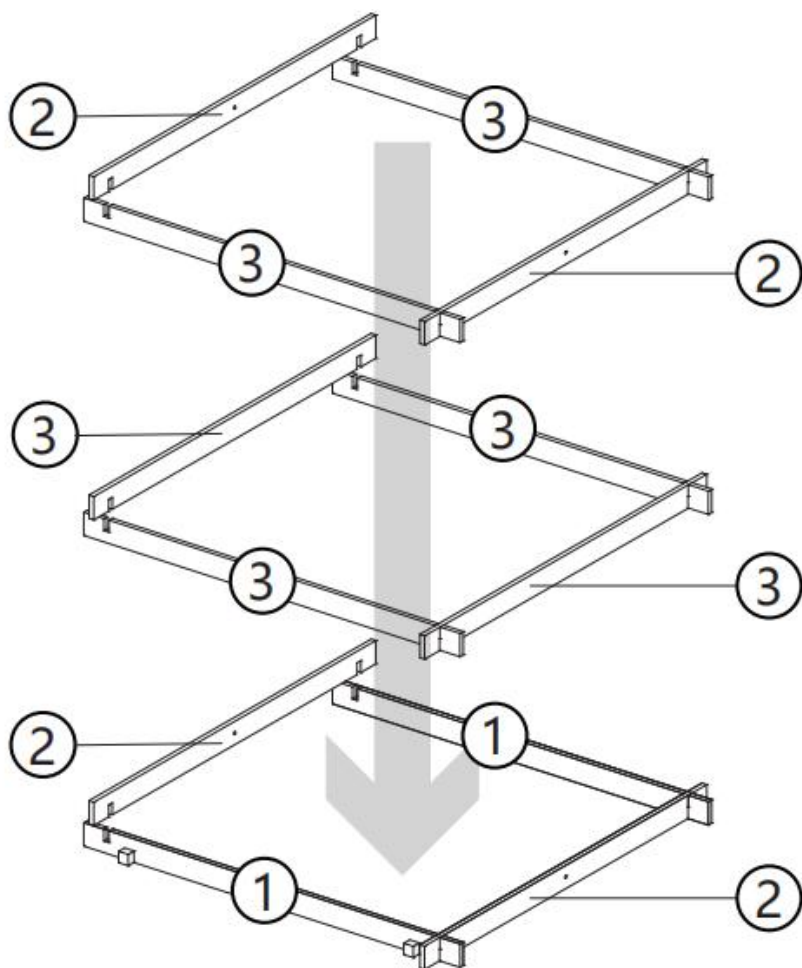
2pcs



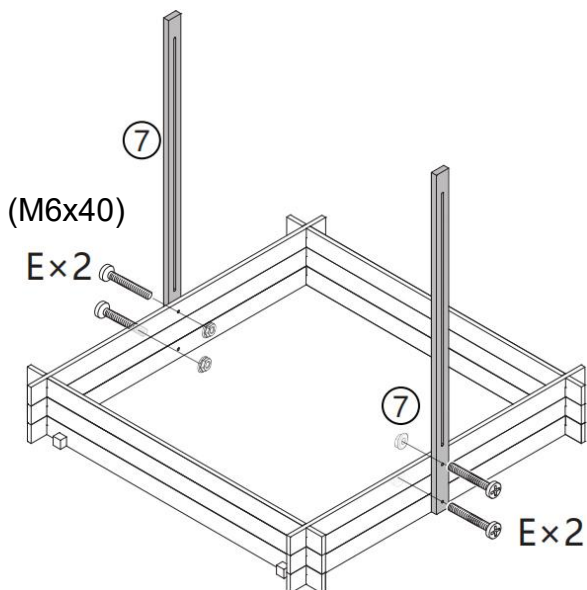
4pcs

Installation:

STEP 1: Stapla ramen.

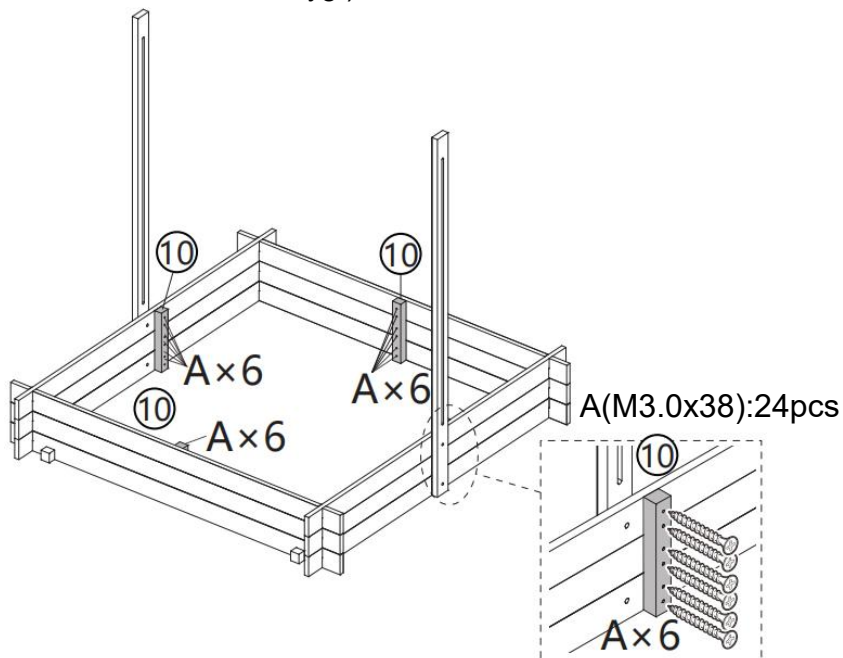


STEG 2: Montera markisstödstopparna.



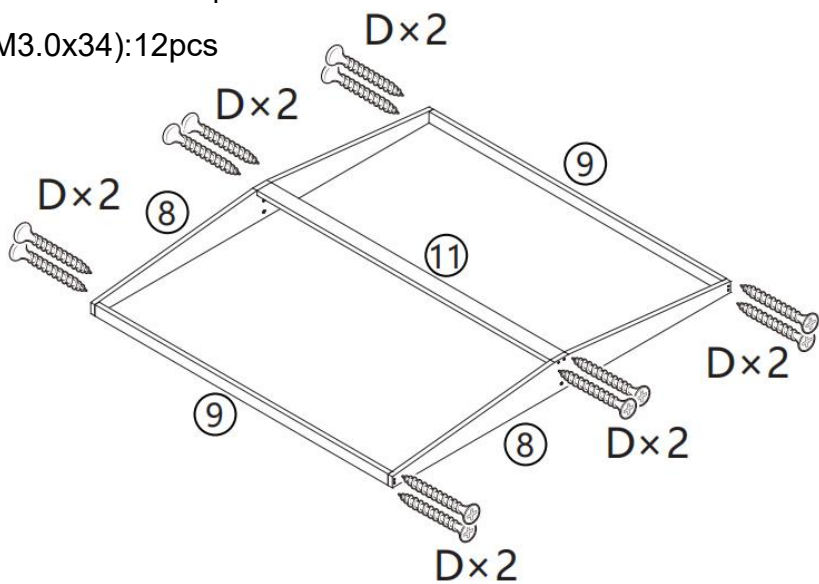
STEG 3: Montering av förstärkningsplattorna.

(OBS: Använd helst ett elverktyg.)

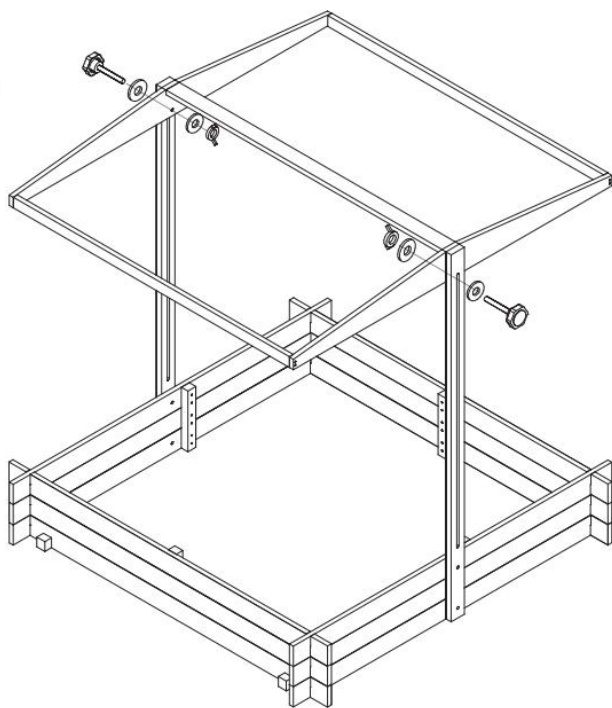
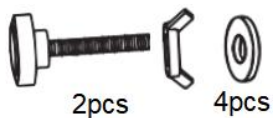


STEG 4: Installera kapellramen.

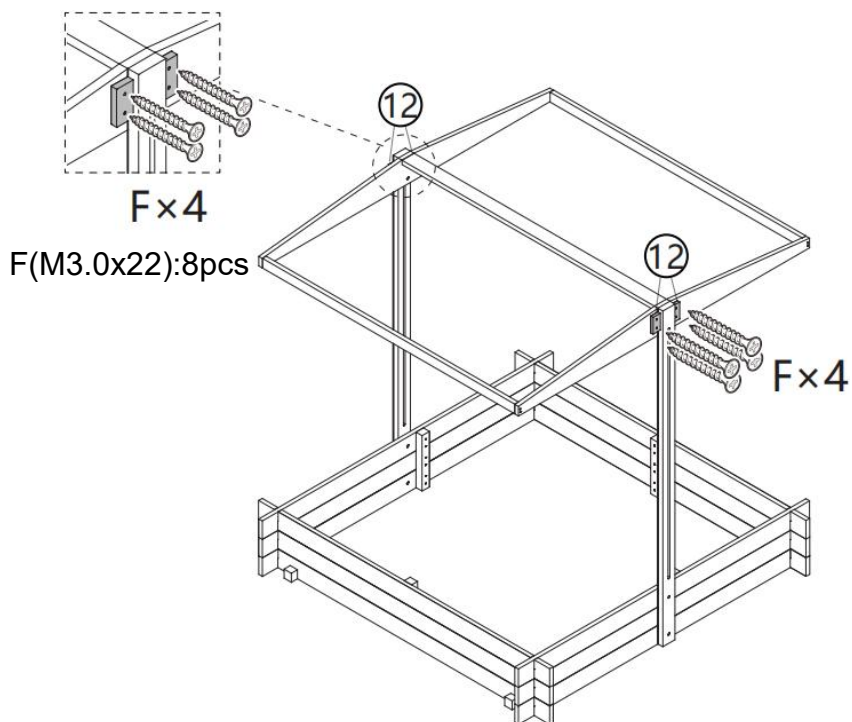
D(M3.0x34):12pcs



STEG 5: Installera kapellramen.

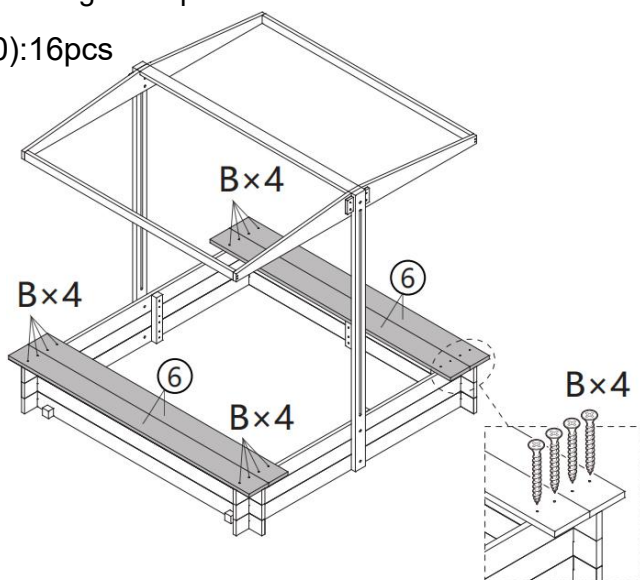


STEG 6: Installera kapellramen.



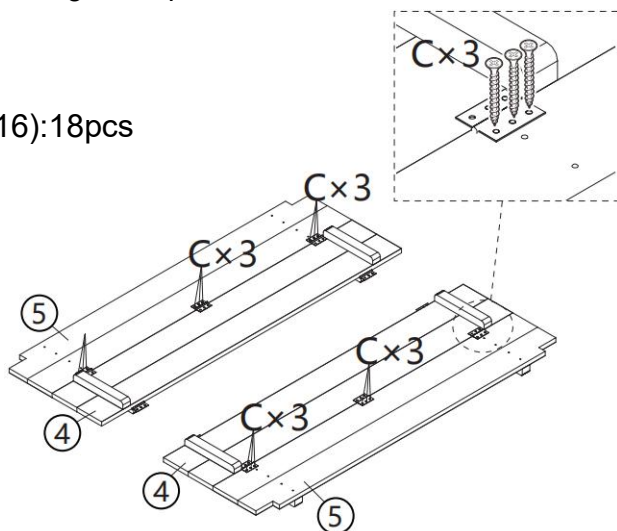
STEG 7: Montering av sittplattorna.

B(M3.0x30):16pcs

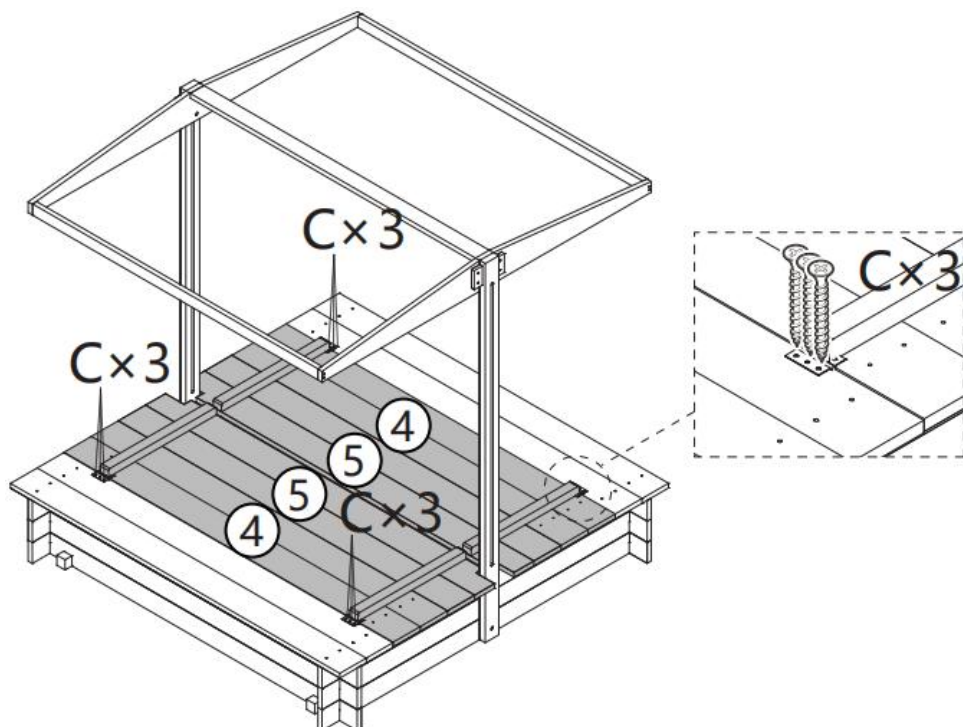


STEG 8: Montering av sittplattorna.

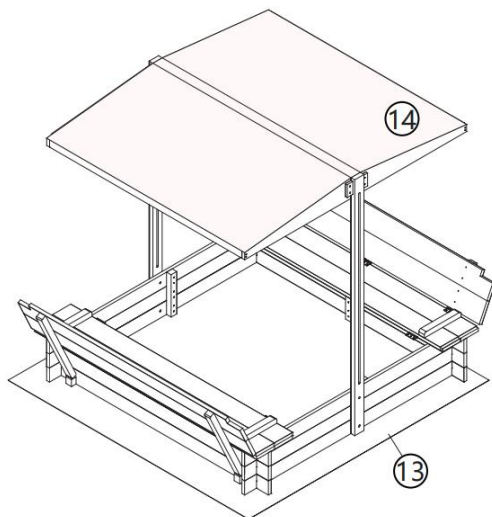
C(M3.0x16):18pcs



STEG 9: Montering av gångjärnen.



STEG 10: Installera den övre duken och flytta hela produkten på den nedre duken.



NOTERA:

- 11. Sitsen fälls ihop och förvandlas till ett lock när den inte används.
- 12. Staket kan höjas och sänkas efter behov.

MAINTENANCE

- 11. Förvaras åtskilt från direkt solljus .
- 12. Kontrollera delarnas tillförlitlighet före användning.

Tillverkare: JIANYANG LONGSHENG ARTS CO.,LTD

Adress: BAIDIYUAN,JIANGKOU TOWN,JIANYANG,FUJIAN,KINA

**Importerad till AUS: SIHAO PTY LTD. 1 ROKEVA STREETEASTWOOD NSW
2122 Australien**

**Importerad till USA: Sanven Technology Ltd. Suite 250, 9166 Anaheim Place,
Rancho Cucamonga, CA 91730**



E-CrossStu GmbH

Mainzer Landstr.69, 60329 Frankfurt am Main.



YH CONSULTING LIMITED.

C/O YH Consulting Limited Office 147, Centurion House,
London Road, Staines-upon-Thames, Surrey, TW18 4AX

VEVOR[®]
TOUGH TOOLS, HALF PRICE

Teknisk Support och e-garanticertifikat
www.vevor.com/support

VEVOR[®]

TOUGH TOOLS, HALF PRICE

Soporte técnico y certificado de garantía electrónica www.vevor.com/support

SALVADERA

MODELO:SG-1200B

We continue to be committed to provide you tools with competitive price. "Save Half", "Half Price" or any other similar expressions used by us only represents an estimate of savings you might benefit from buying certain tools with us compared to the major top brands and does not necessarily mean to cover all categories of tools offered by us. You are kindly reminded to verify carefully when you are placing an order with us if you are actually saving half in comparison with the top major brands.

VEVOR[®]

TOUGH TOOLS, HALF PRICE

SANDBOX

MODELO: SG-1200B



NEED HELP? CONTACT US!

Have product questions? Need technical support? Please feel free to contact us:

Technical Support and E-Warranty Certificate
www.vevor.com/support

This is the original instruction, please read all manual instructions carefully before operating. VEVOR reserves a clear interpretation of our user manual. The appearance of the product shall be subject to the product you received. Please forgive us that we won't inform you again if there are any technology or software updates on our product.

SAFETY INSTRUCTIONS

ADVERTENCIA:

31. Lea atentamente todas las instrucciones y consérvelas para consultarlas en el futuro.
32. Montado sólo por adultos . Los niños deben utilizar este producto bajo la supervisión de sus padres.
33. Mantenga todas las piezas pequeñas y los materiales de embalaje de este producto fuera del alcance de bebés y niños; de lo contrario, pueden representar un peligro de asfixia.
34. La falta de fijación puede provocar riesgo de vuelco.
35. No sobrecargues .

Advertencia para el montaje:




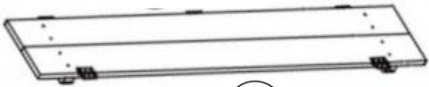
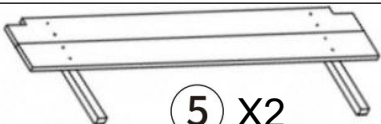







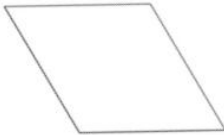
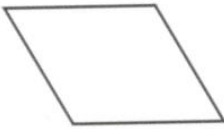
25. Retire todo el embalaje, separe y cuente todas las piezas y herrajes.
26. Lea atentamente cada paso y siga el orden correcto.
27. Recomendamos que, siempre que sea posible, todos los artículos se monten cerca del área en la que se utilizarán, para evitar mover el producto innecesariamente una vez montado.
28. Asegure una superficie segura durante la instalación y coloque el producto siempre sobre una superficie plana, firme y estable.

MODEL AND PARAMETERS

Modelo	SG-1200B
Edad de aplicación	3-12 años
Máximo . capacidad de	175 libras (80 kg) /Cada asiento
Apariencia	Cuadrada(Con toldo)
Tamaño del producto	145,5*120*120cm
Color	Rojo naranja

PARTS LIST AND INSTALLATION

NOTA: Verifique que tenga todas las piezas como se muestra en la lista de piezas.

 <p>① X2</p>	 <p>② X4</p>
 <p>③ X6</p>	 <p>④ X2</p>
 <p>⑤ X2</p>	 <p>⑥ X4</p>
 <p>⑦ X2</p>	 <p>⑧ X2</p>
 <p>⑨ X2</p>	 <p>⑩ X4</p>
 <p>⑪ X6</p>	 <p>⑫ X4</p>
 <p>⑬ X1</p>	 <p>⑭ X1</p>



A(M3.0x38):24+1pcs
B(M3.0x30):16+1pcs
C(M3.0x16):30+1pcs
D(M3.0x34):12+1pcs
F(M3.0x22):8+1pcs



Manual de usuario x1



E(M6x40):4+1pcs



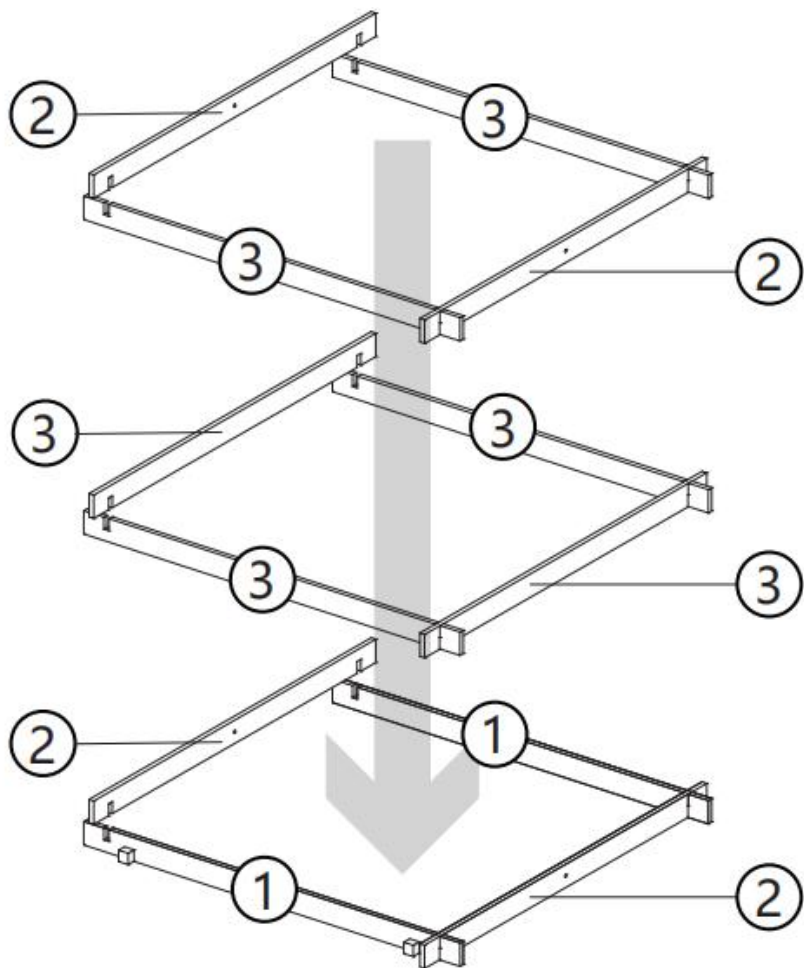
2pcs



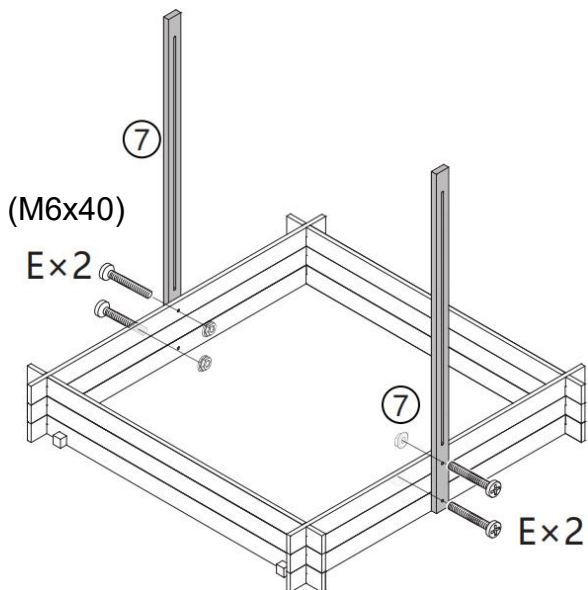
4pcs

Instalación:

PASO 1: Apilar el marco.

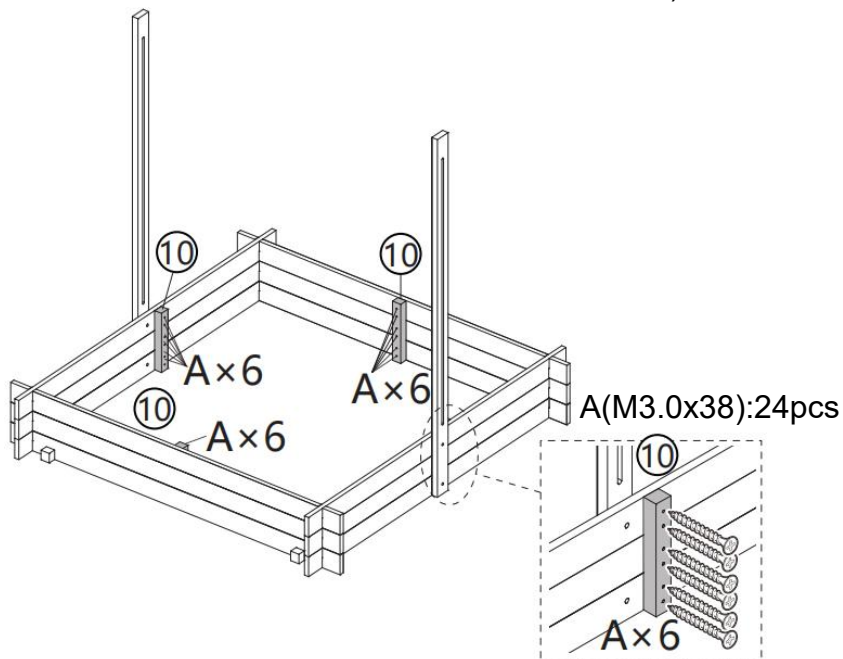


PASO 2: Instale los postes de soporte del toldo.



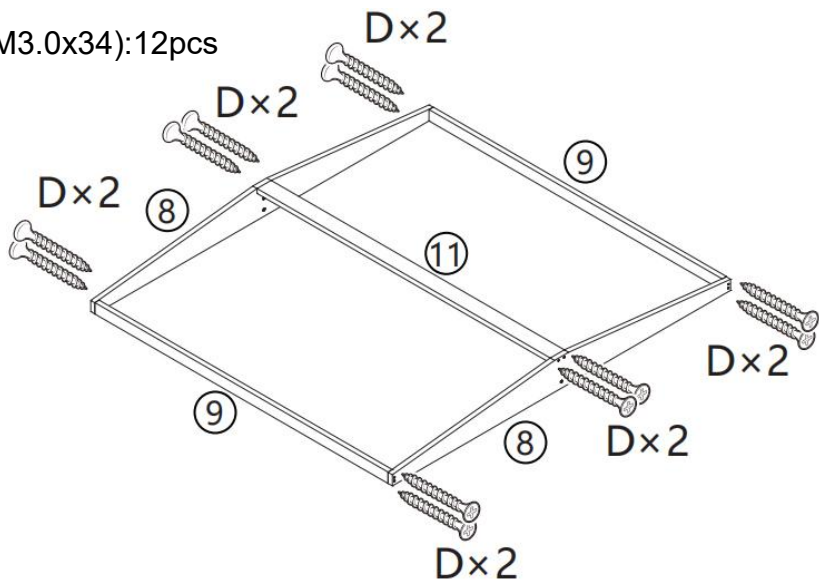
PASO 3: Montaje de las placas de refuerzo.

(**NOTA:** Preferiblemente usando una herramienta eléctrica).

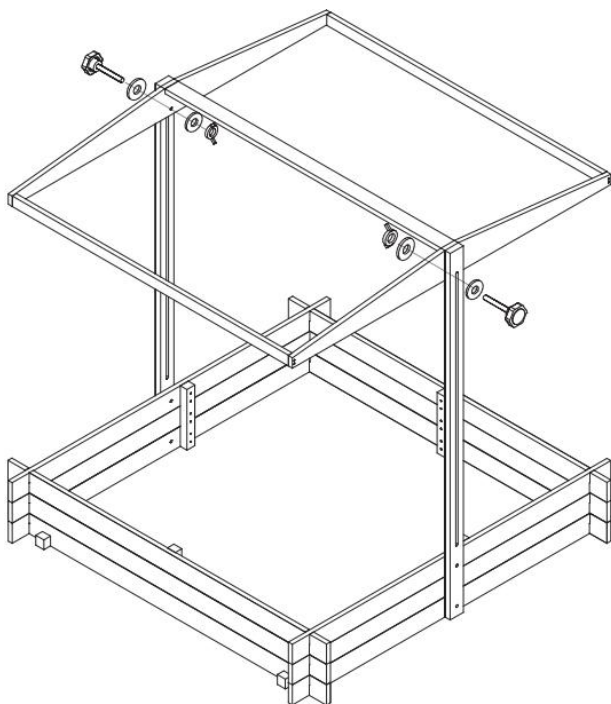
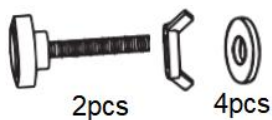


PASO 4: Instale el marco del dosel.

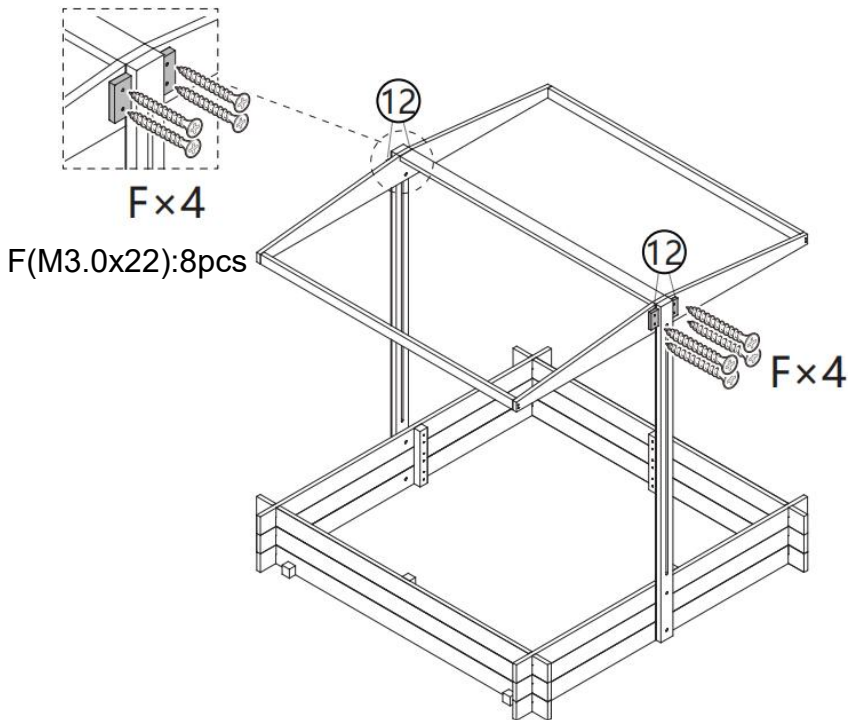
D(M3.0x34):12pcs



PASO 5: Instale el marco del dosel.

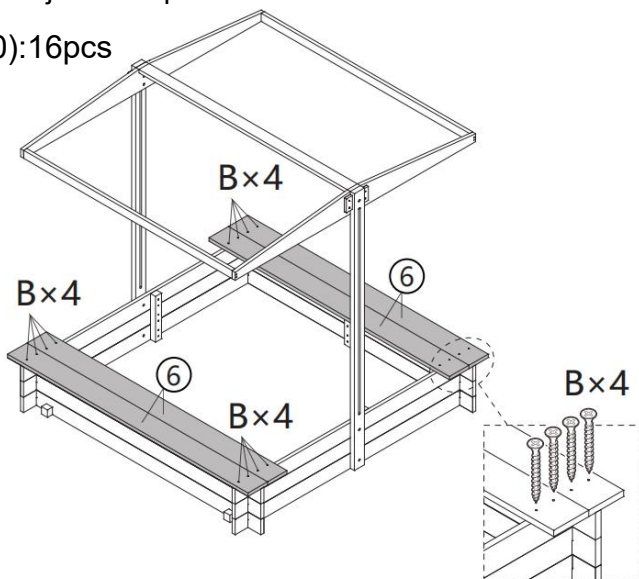


PASO 6: Instale el marco del dosel.



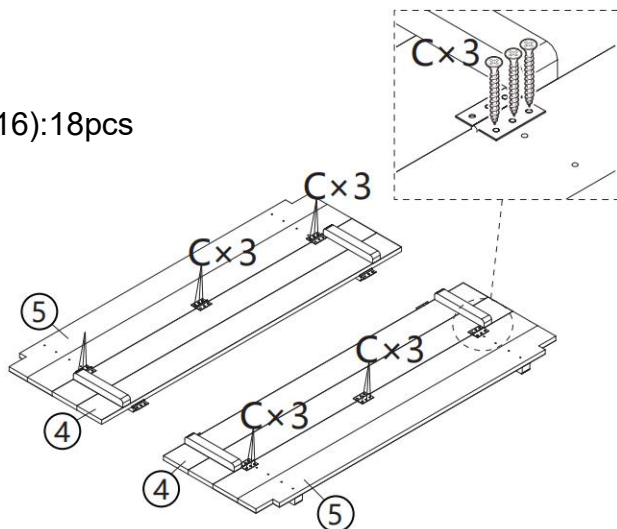
PASO 7: Montaje de las placas del asiento.

B(M3.0x30):16pcs

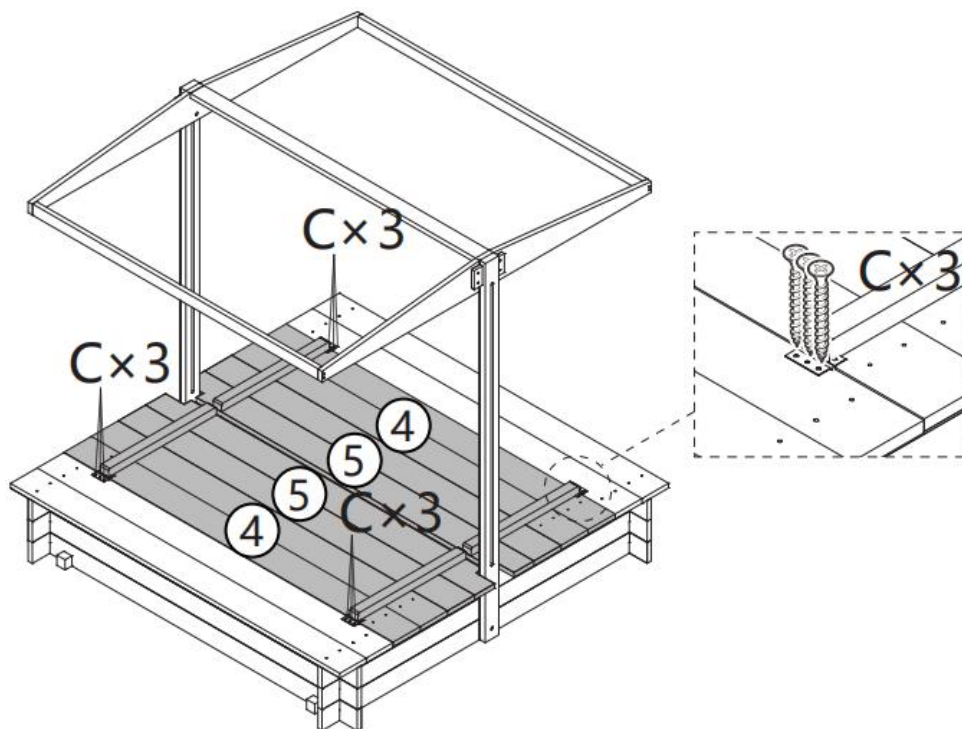


PASO 8: Montaje de las placas del asiento.

C(M3.0x16):18pcs

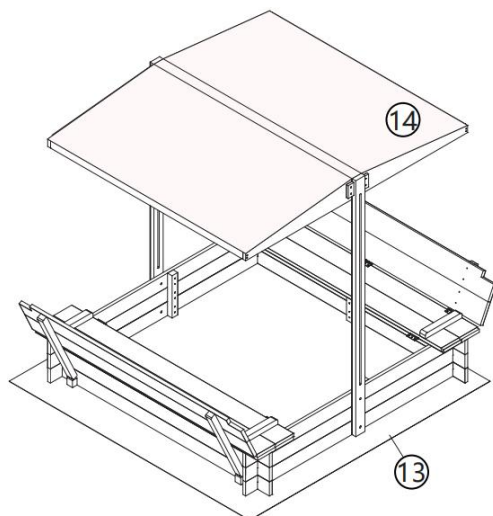


PASO 9: Montaje de las bisagras.



PASO 10: Instale la tela superior y mueva todo el producto sobre la tela

inferior.



NOTA:

13.El asiento se pliega y se convierte en tapa cuando no está en uso.

14.La capota se puede subir y bajar según sea necesario.

MAINTENANCE

13. Guardar alejado de la luz directa del sol .

14. Verifique la confiabilidad de las piezas antes de su uso.

Fabricante: JIANYANG LONGSHENG ARTS CO.,LTD

Dirección: BAIDIYUAN, CIUDAD DE JIANGKOU, JIANYANG, FUJIAN, CHINA
Importado a AUS: SIHAO PTY LTD. 1 ROKEVA STREET ASTWOOD NSW 2122
Australia

Importado a EE. UU.: Sanven Technology Ltd. Suite 250, 9166 Anaheim Place,
Rancho Cucamonga, CA 91730

UK	REP
-----------	------------

E-CrossStu GmbH
Mainzer Landstr.69, 60329 Frankfurt am Main.

EC	REP
-----------	------------

YH CONSULTING LIMITED.
C/O YH Consulting Limited Office 147, Centurion House,
London Road, Staines-upon-Thames, Surrey, TW18 4AX

VEVOR[®]
TOUGH TOOLS, HALF PRICE

Técnico Certificado de soporte y garantía electrónica
www.vevor.com/support

VEVOR[®]

TOUGH TOOLS, HALF PRICE

Supporto tecnico e certificato di garanzia elettronica www.vevor.com/support

SABBIA

MODELLO: SG-1200B

We continue to be committed to provide you tools with competitive price.

"Save Half", "Half Price" or any other similar expressions used by us only represents an estimate of savings you might benefit from buying certain tools with us compared to the major top brands and does not necessarily mean to cover all categories of tools offered by us. You are kindly reminded to verify carefully when you are placing an order with us if you are actually saving half in comparison with the top major brands.

VEVOR®

TOUGH TOOLS, HALF PRICE

SANDBOX

MODELLO: SG-1200B



NEED HELP? CONTACT US!

Have product questions? Need technical support? Please feel free to contact us:

Technical Support and E-Warranty Certificate
www.vevor.com/support

This is the original instruction, please read all manual instructions carefully before operating. VEVOR reserves a clear interpretation of our user manual. The appearance of the product shall be subject to the product you received. Please forgive us that we won't inform you again if there are any technology or software updates on our product.

SAFETY INSTRUCTIONS

AVVERTIMENTO:

36. Si prega di leggere attentamente tutte le istruzioni e di conservarle per riferimento futuro.
37. Assemblato solo da adulti . I bambini dovrebbero utilizzare questo prodotto sotto la supervisione dei genitori.
38. Tenere tutte le piccole parti e i materiali di imballaggio di questo prodotto lontano dalla portata di neonati e bambini, altrimenti potrebbero rappresentare un rischio di soffocamento.
39. La mancanza di fissaggio può causare il rischio di ribaltamento.
40. Non sovraccaricare .

Avvertenza per il montaggio:

29. Rimuovere tutto l'imballaggio, separare e contare tutte le parti e l'hardware.
30. Leggi attentamente ogni passaggio e segui l'ordine corretto.
31. Si consiglia, ove possibile, di montare tutti gli articoli in prossimità dell'area in cui verranno utilizzati, per evitare di spostare inutilmente il prodotto una volta montato.
32. Garantire una superficie sicura durante l'installazione e posizionare il prodotto sempre su una superficie piana, stabile e stabile.





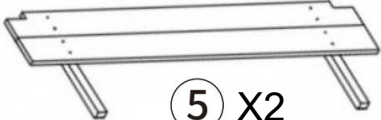








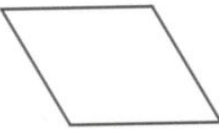
MODEL AND PARAMETERS

Modello	SG-1200B
Età di applicazione	3-12 anni
Massimo . capacità portante	175 libbre (80 kg) /Ogni sedile
Aspetto	Quadrato(Con tendalino)
Taglia del prodotto	145,5*120*120 cm

Colore	Rosso-arancio
Materiali	Legna

PARTS LIST AND INSTALLATION

NOTA: verificare di avere tutte le parti come mostrato nell'elenco delle parti.

 ① X2	 ② X4
 ③ X6	 ④ X2
 ⑤ X2	 ⑥ X4
 ⑦ X2	 ⑧ X2
 ⑨ X2	 ⑩ X4
 ⑪ X6	 ⑫ X4
 ⑬ X1	 ⑭ X1



A(M3.0x38):24+1pcs
B(M3.0x30):16+1pcs
C(M3.0x16):30+1pcs
D(M3.0x34):12+1pcs
F(M3.0x22):8+1pcs



Manuale utentex1



E(M6x40):4+1pcs



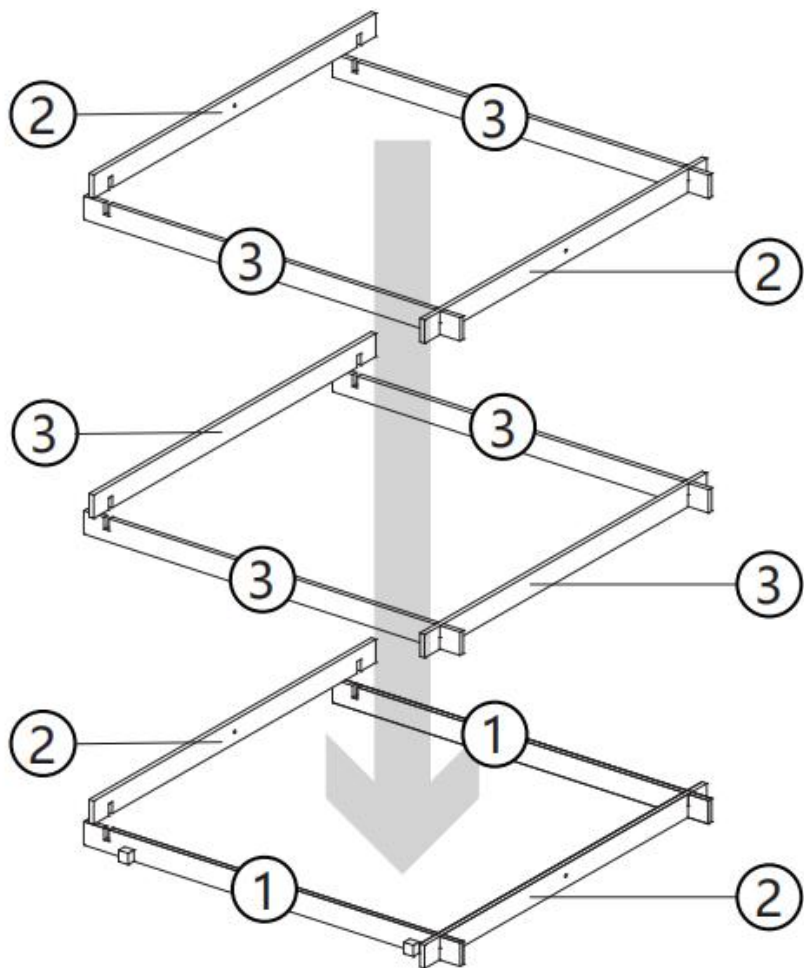
2pcs



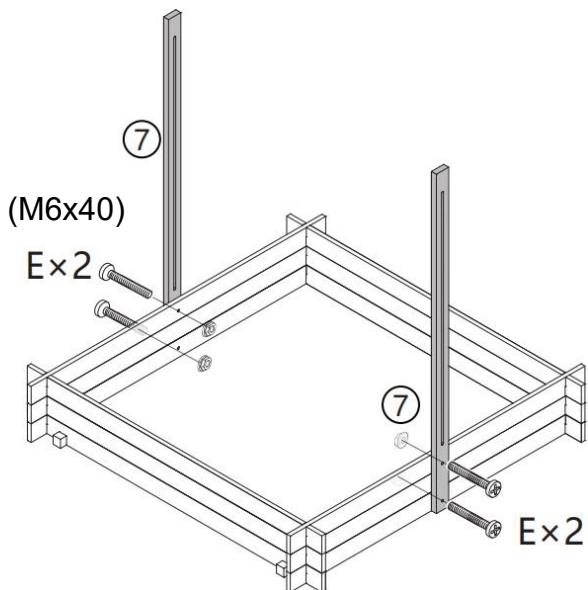
4pcs

Installazione:

FASE 1: impilare la cornice.

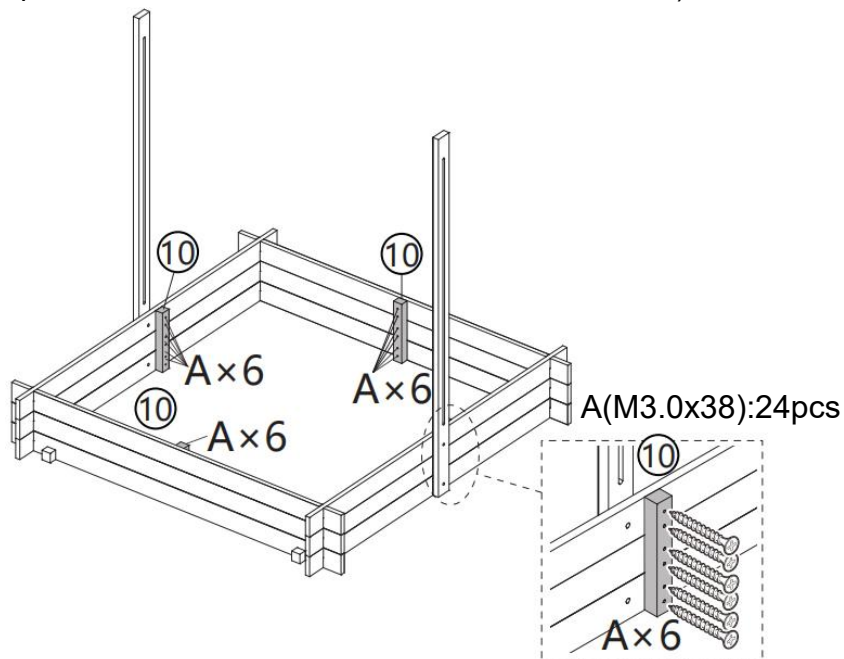


FASE 2: Installare i pali di supporto della tenda.



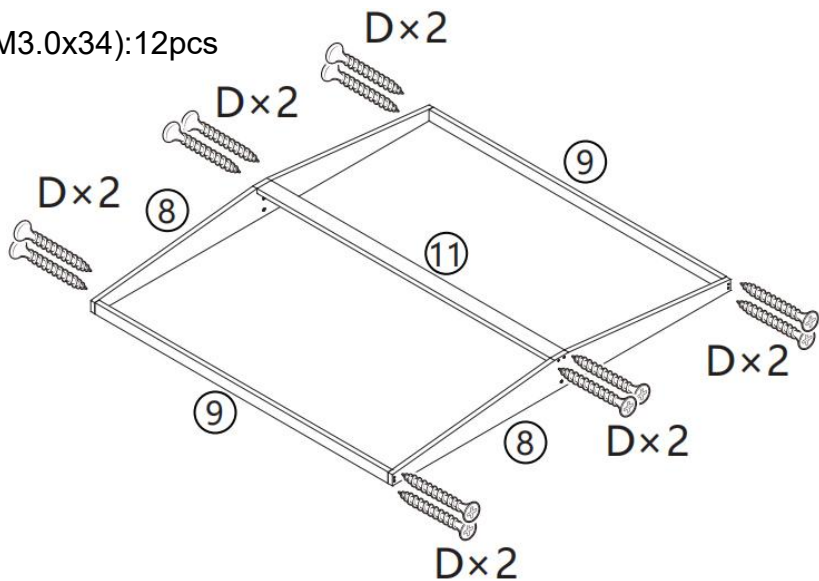
FASE 3: Montaggio delle piastre di rinforzo.

(**NOTA:** preferibilmente utilizzando uno strumento elettrico.)

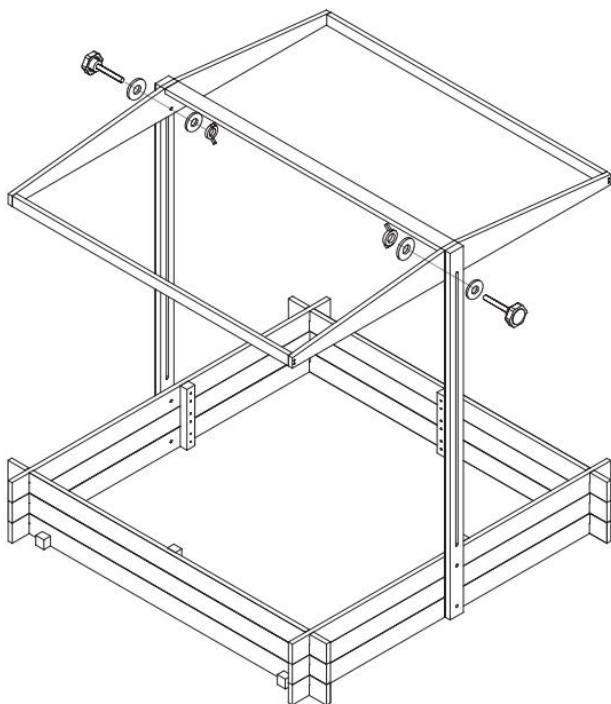
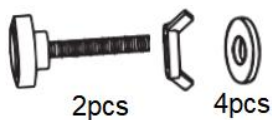


FASE 4: Installare il telaio del tettuccio.

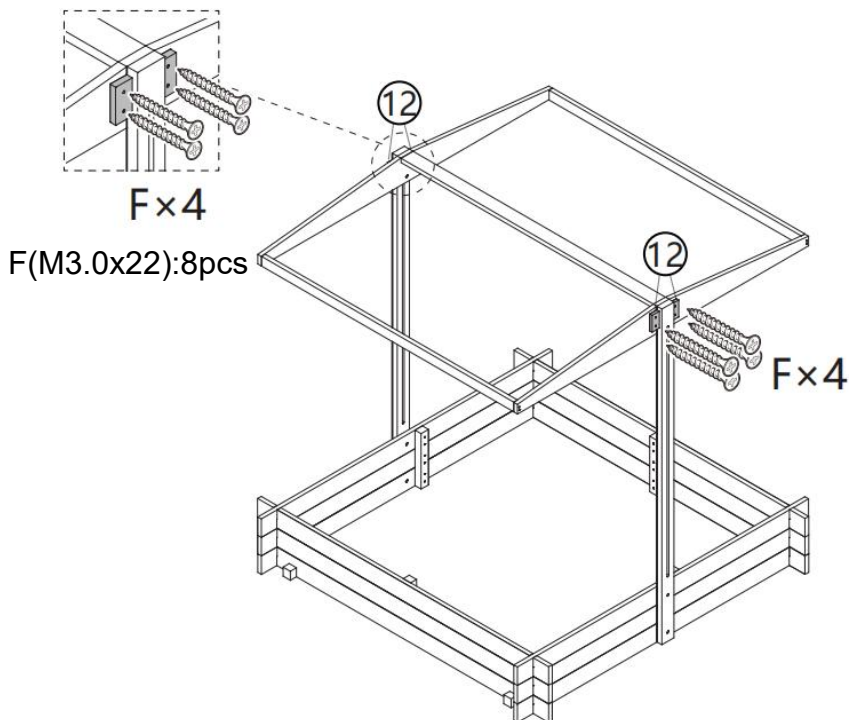
D(M3.0x34):12pcs



FASE 5: Installare il telaio del tettuccio.

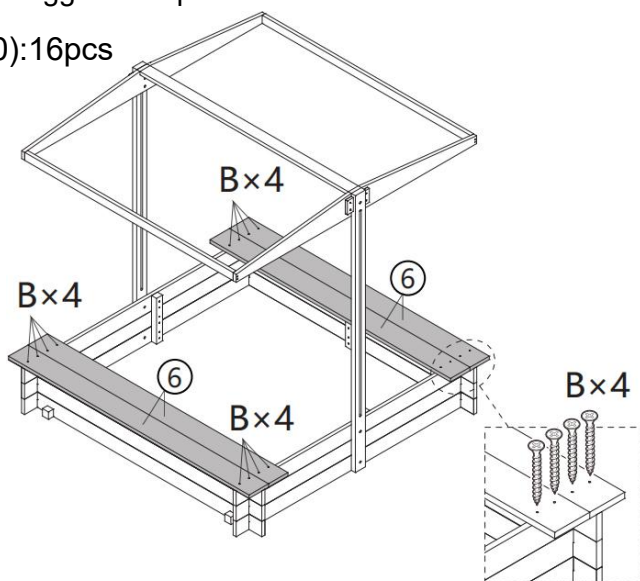


PASSO 6: Installare il telaio del tettuccio.



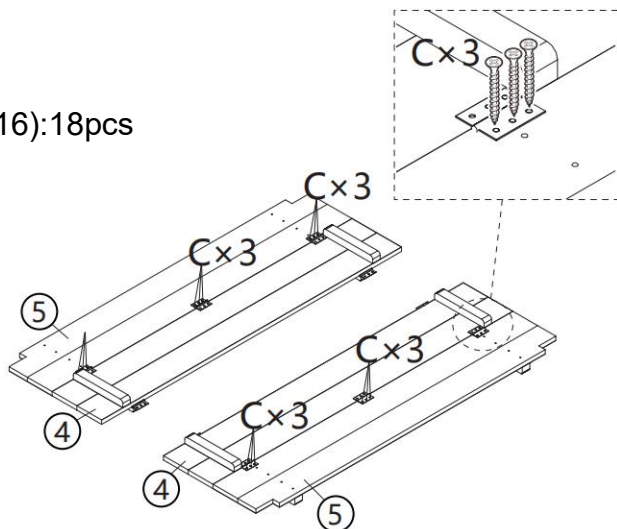
FASE 7: Montaggio delle piastre del sedile.

B(M3.0x30):16pcs

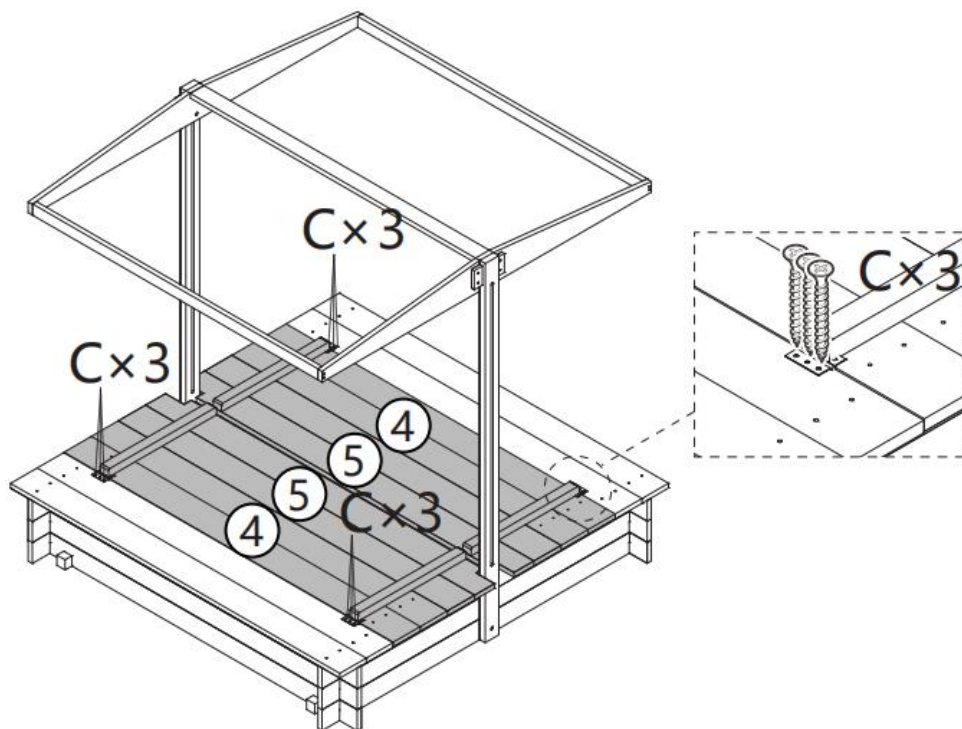


FASE 8: Montaggio delle piastre del sedile.

C(M3.0x16):18pcs

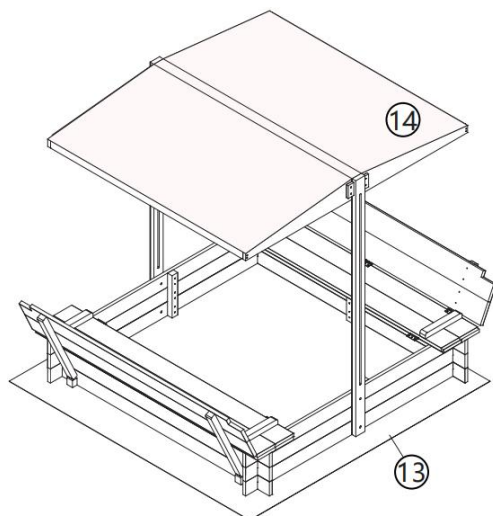


PASSO 9: Montaggio delle cerniere.



PASSO 10: Installare il pannello superiore e spostare l'intero prodotto sul

panno inferiore.



NOTA:

15. Il sedile si piega e si trasforma in un coperchio quando non viene utilizzato.

16. Il tettuccio può essere alzato e abbassato secondo necessità.

MAINTENANCE

15. Conservare lontano dalla luce solare diretta .

16. Verificare l'affidabilità delle parti prima dell'uso.

Produttore: JIANYANG LONGSHENG ARTS CO.,LTD

Indirizzo: BAIDIYUAN, CITTÀ DI JIANGKOU, JIANYANG, FUJIAN, CINA

**Importato in AUS: SIHAO PTY LTD. 1 ROKEVA STREETEASTWOOD NSW
2122 Australia**

**Importato negli Stati Uniti: Sanven Technology Ltd. Suite 250, 9166 Anaheim
Place, Rancho Cucamonga, CA 91730**



E-CrossStu GmbH

Mainzer Landstr.69, 60329 Frankfurt am Main.



YH CONSULTING LIMITED.

C/O YH Consulting Limited Office 147, Centurion House,
London Road, Staines-upon-Thames, Surrey, TW18 4AX

VEVOR[®]
TOUGH TOOLS, HALF PRICE

Tecnico Supporto e certificato di garanzia elettronica
www.vevor.com/support