



# INSTRUCTION MANUAL

## REFRIGERATOR

MODELS: BI-605

### READ THIS BOOK!

It will tell you how to operate and care for your refrigerator. It also offers tips on how to get the best, as well as lowest cost, performance.

#### ATTENTION

For your protection in the event of theft or loss of refrigerator, fill in spaces provided below.

Model and Serial Numbers are indicated on rear wall of refrigerator.

MODEL No. \_\_\_\_\_

SERIAL No. \_\_\_\_\_

# THINGS YOU OUGHT TO KNOW

## WHEN YOUR REFRIGERATOR IS INSTALLED

### INSPECT

For shipping damage. If damaged, or parts missing, notify your dealer at once.

### INSTALLATION

Remove all packing material and tape. Install on strong, level floor or counter. Avoid any of direct sunbeam, heat source and moisture.

### ELECTRICAL REQUIREMENTS

120 Volts, 60 Hz (60 cycles A.C.) 15 Amps circuit.

### ELECTRICAL GROUNDING

Must be grounded. Uses 110-120 Volt, 60 Hz. (60 cycle) A.C. Do not use extension cord. Use three-prong plug with three-prong grounded wall outlet.

Unless the above grounding method is followed, you are not protected against severe or lethal shock, in the event of a short circuit of an electrical component or wiring of refrigerator.

### CAUTION

Should you turn off the cold control, allow at least three minutes before restarting in order to give the electric device cooling off time.

## USE AND CARE INFORMATION

### • Tips on everyday care and use

**To control temperature:** At first, set Cold Control on "3". Wait 24 hours for the entire cabinet to cool. Then adjust control, if needed. Setting "MIN" is warmest.

**Defrost:** When  $\frac{1}{4}$ " frost forms. To start defrosting, push defrost button at the center of cold control knob. Remove food. Do not touch freezing plate with bare hands. Do not use electric defrost devices or hair dryers to melt frost. They may damage plastic parts.

When defrosting is completed, refrigerator restarts cooling operation automatically. After defrosting discard the water in drip tray. Replace food.

**For all cleaning:** Mix 2 tablespoons baking soda with 1 quart warm water. Or use mild soap. No strong cleaners, scouring powder or pads. Do not put the drip tray in dishwasher. Vacuum the tubing on outside back when dusty.

### • Thing to remember

1. Allow 24 hours for your Refrigerator to reach a new temperature setting.
2. The motor will start and stop often. It must, to maintain the temperature you select.

3. Keep your refrigerator reasonably level.

4. Unplug refrigerator before doing anything with electrical system.

### • Before calling for service

Check plug and fuse. Test outlet with lamp. Be sure control is on. Read all USE AND CARE INFORMATION. Your questions may be answered. If not, find your model number (on upper back of refrigerator). Refer your number and problem to the nearest service center..

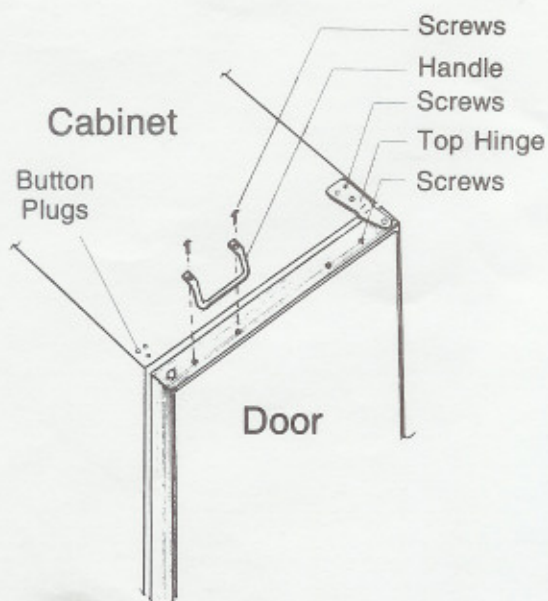
**DANGER - ELECTRICAL SHOCK HAZARD. Disconnect power before servicing.**

## ENERGY SAVING TIPS

### WAYS TO SAVE POWER, SAVE MONEY, AND STILL ENJOY YOUR REFRIGERATOR

1. **Close the door as soon as you can.** Make sure the door is fully shut after each use, so cold air does not escape.
2. **Keep the condenser coils clean.** The motor works harder when coils are dusty. Clean the coils at least every 3 months. They are underneath your refrigerator.
3. **Adjust cold control.** Try a warmer setting. Your refrigerator may be colder than needed. Check refrigerator temperature with milk. As long as it keeps well, your refrigerator is cold enough.
4. **Don't put hot foods in refrigerator.**
5. **Don't allow more than 1/4"** of frost to build up in frozen food storage section.
6. **Reduce door openings.** Your cooling system won't have to run as often.
7. **Keep your refrigerator reasonably level.** So the door seals tightly. When the door is closed, the door gasket should touch the refrigerator all the way around. If not, make your refrigerator more level. Use the adjustment screws under the refrigerator.
8. **Keep refrigerator away from stove or other heat sources.** A cool and dry place lets your refrigerator work best.

## HOW TO INSTALL DOOR HANDLE:



### STEPS:

1. Remove two (2) screws at the top left side portion of the door if using right door hinge (right side if using left door hinge), save screws.
2. Position door handle on top (as shown) and secure handle with two (2) screws, using proper Phillips Screw Driver.

## IMPORTANT: DOOR REVERSING INSTRUCTIONS:

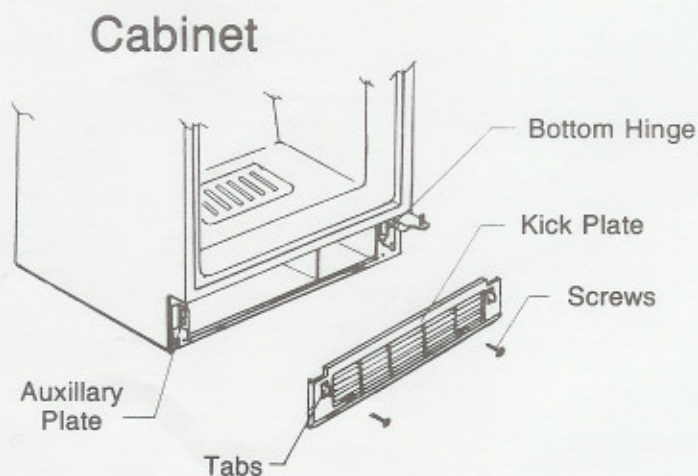
IF THIS KITCHEN UNIT IS TO BE INSTALLED WITH THE RIGHT SIDE WALL EXTENDING OUT BEYOND THE FRONT OF THE KITCHEN UNIT, THE HANDLE OF THE REFRIGERATOR DOOR MUST BE CHANGED TO LEFT HAND TO ALLOW FULL ACCESS TO THE INTERIOR OF THE REFRIGERATOR AND TO PREVENT THE REFRIGERATOR DOOR FROM BUMPING THE SIDE WALL WHEN OPENED.

SEE INSTRUCTIONS BELOW FOR DETAILS ON CHANGING HANDLE OF REFRIGERATOR DOOR.

### STEPS:

1. Remove top hinge by removing three (3) screws at the top of refrigerator.
2. Remove handle from left side of refrigerator door by removing two (2) screws at top. Put back two (2) screws.
3. Remove three (3) plug buttons at the top of refrigerator.
4. Remove kick plate by removing two (2) screws, tabs pressed in toward its center and pull out.
5. Remove bottom hinge by removing three (3) screws at the bottom of refrigerator.
6. Remove auxillary plate by removing two (2) screws.
7. Attach bottom hinge to opposite side, securing three (3) screws.
8. Attach auxillary plate to opposite side, securing two (2) screws.
9. Position refrigerator door into pin on bottom refrigerator hinge.
10. Attach top refrigerator hinge to box with three (3) screws and hinge pin down into refrigerator door.
11. Insert three (3) plug buttons into holes on top of refrigerator.
12. Re-attach kick plate with two (2) screws.
13. Re-attach handle to right side.

## HOW TO INSTALL KICK PLATE



### STEPS:

1. Kick Plate tabs portion on top.
2. Insert tabs on bottom hinge plate and auxillary plate holes.
3. Secure Kick Plate with two (2) screws (as shown) using proper Phillips Screw Driver.



# FELIX STORCH, INC.

1435 WATSON AVENUE (P.O. Box 1357) BRONX, NY. 10472

## SUMMIT LIMITED WARRANTY

SUMMIT Appliances warrants this product to be free from defects in materials and workmanship for a period of one year from the date of original purchase or delivery. Any parts determined to be defective will be replaced by SUMMIT at no charge to you. Plastic parts, liners and outer cabinets are warranted to be manufactured to commercially acceptable standards, and free from defects at the time of delivery.

This limited warranty does not apply to:

1. Improper installation
2. Customer misuse, negligence or damage
3. Incorrect electrical current
4. Products with the serial number altered or removed
5. Products sold or used outside the fifty United States or the district of Columbia
6. Commercial or industrial Users
7. Damage to this product from accidents, alterations, failure to follow instructions, fire, floods, earthquakes, war, civil disturbance or Acts of Good.

SUMMIT is not liable for consequential or accidental damage.

SUMMIT APPLIANCE DIV.  
Felix Storch, Inc.  
P.O. Box 1357  
Bronx, N.Y. 10472

---

## FACTORY REGISTRATION CARD

THANK YOU FOR PURCHASING A QUALITY SUMMIT® APPLIANCE

SUMMIT Model No. \_\_\_\_\_ Serial \_\_\_\_\_

Customer's Name \_\_\_\_\_ Date of Delivery \_\_\_\_\_

Address \_\_\_\_\_ Apt. No. \_\_\_\_\_

City \_\_\_\_\_ State \_\_\_\_\_ Zip \_\_\_\_\_

Dealer's name \_\_\_\_\_ City \_\_\_\_\_ State \_\_\_\_\_

Is this unit for:  Private Home     Apartment     Office     Other \_\_\_\_\_

Reason for selecting this unit:  Dealer Recommendation     Features     Size     Price

Other \_\_\_\_\_

