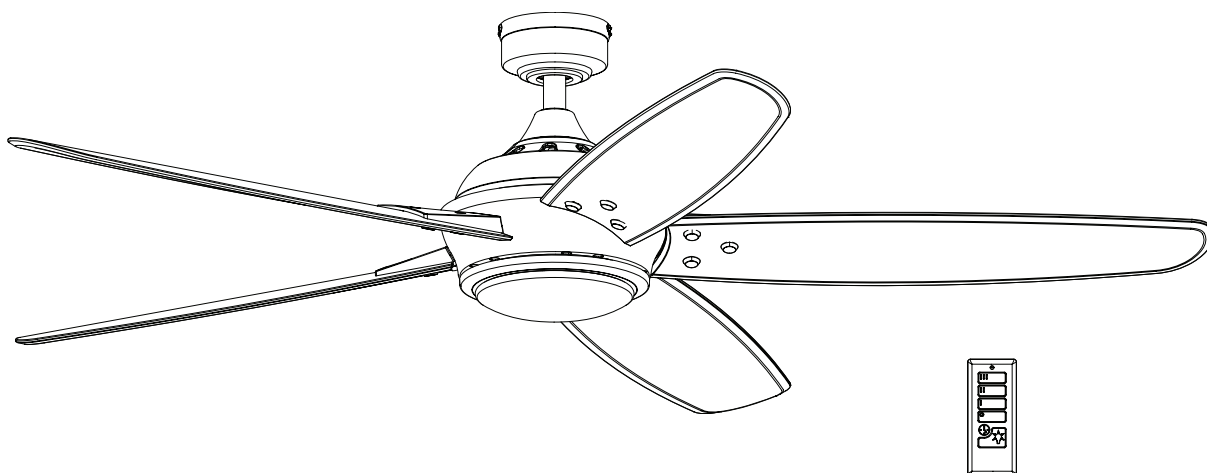


Patriot
LIGHTING™

62" HUBBARD CEILING FAN

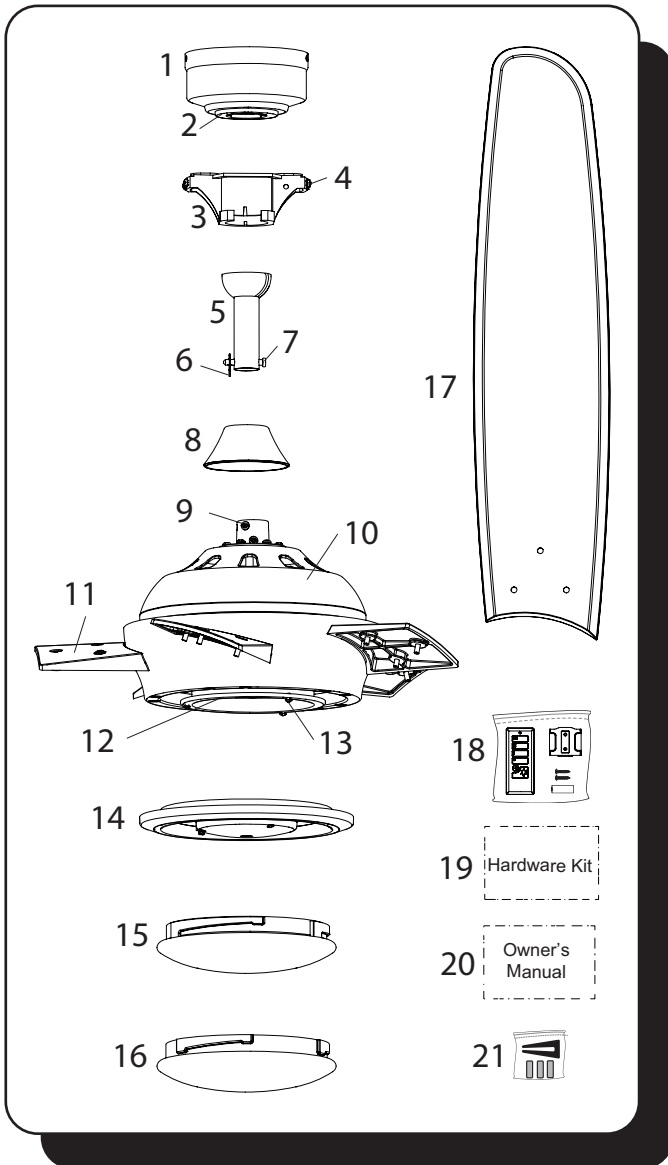
Owner's Manual

**Model #20691
SKU #355-0705**



If a problem cannot be remedied or you are experiencing difficulty in installation, please contact the Service Department: 1-877-459-3267, 8 a.m. - 5 p.m. Central Time, Monday - Friday.

PACKAGE CONTENTS



Unpack your fan and check the contents. You should have the following items:

PACKAGE CONTENTS

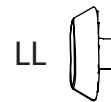
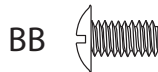
- | | |
|--------------------------------|-----------------------------|
| 1. Canopy | 11. Blade Arm (x5) |
| 2. Canopy Cover | 12. Fitter Plate |
| 3. Mounting Bracket | 13. Fitter Plate Screw (x3) |
| 4. Mounting Bracket Screw (x4) | 14. Light Kit |
| 5. Downrod | 15. Glass Bowl |
| 6. Downrod Clip | 16. No Light Cap |
| 7. Downrod Pin | 17. Blade (x5) |
| 8. Yoke Cover | 18. Remote Pack |
| 9. Set Screw (x2) | 19. Hardware Kit |
| 10. Motor Assembly | 20. Owner's Manual |
| | 21. Blade Balancing Kit |

HARDWARE CONTENTS

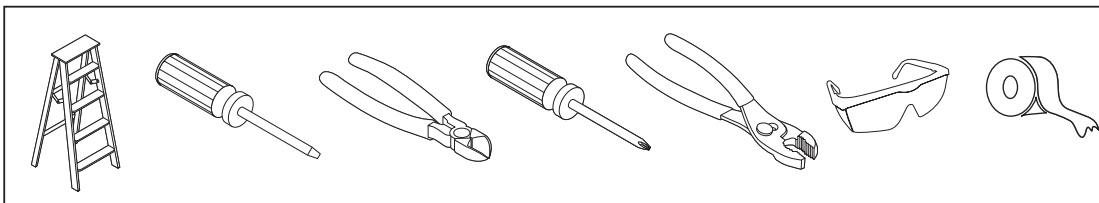
- | | |
|-------------------------|---------------------|
| AA. Wire Connector (x3) | LL. Screw Cap (x15) |
| BB. Blade Screw (x15) | |

Note: Some extra hardware has been included. The quantity listed above is the number required for installation.

HARDWARE CONTENTS



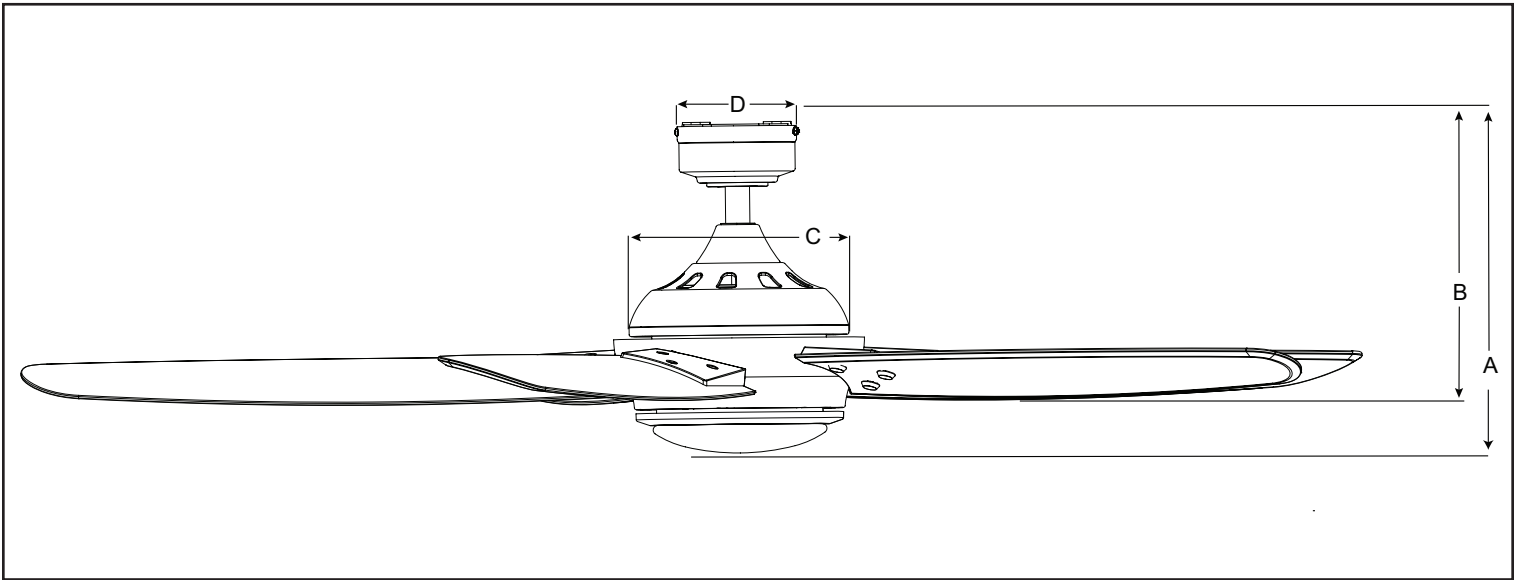
TOOLS REQUIRED (not included)



Tools required for assembly: Electrical tape, Phillips Screwdriver, Pliers, Safety Glasses, Step Ladder, Wire Cutters and Wire Strippers

Helpful Tools: AC Tester Light, Tape Measure, and Wiring Handbook

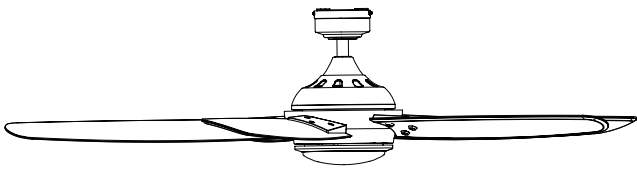
DIMENSION REFERENCE



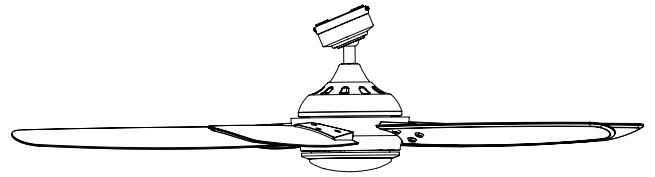
A. 14.09 in. B. 11.88 in. C. 9.45 in. D. 5.13 in.

MOUNTING OPTIONS

Dual Mounting Options



Downrod Mount



Angled Ceiling Mount (Up to 16 degrees)

Choose one of the following mounting options:

Downrod Mount is best suited for ceilings 8 ft. or higher. For taller ceilings you may want to use a longer downrod (not included).

Angled Ceiling Mount is best suited for angled or vaulted ceilings. A longer downrod is sometimes necessary to ensure proper blade clearance from the ceiling. If using the angle mount, check to ensure the ceiling angle is not steeper than 16°.

SAFETY INSTRUCTIONS

READ ALL SAFETY INFORMATION AND INSTALLATION INSTRUCTIONS BEFORE YOU BEGIN INSTALLING THE FAN AND SAVE INSTRUCTIONS.

CAUTION:

- All set screws of the fan must be checked and retightened where necessary before installation.
- To reduce the risk of personal injury, do not bend the blade brackets when installing the brackets, balancing the blades or cleaning fan. Do not insert foreign objects in between rotating fan blades.
- Before changing the fan direction, turn off the fan and wait for the fan blades to stop completely.
- The safeguards provided by these safety instructions and by the separate installation instructions are not meant to cover all possible conditions and situations that may occur. It must be understood that common sense, caution and care are factors which can not be built into this product. These factors must be supplied by the person(s) installing, caring for and operating the fan.
- The fan weight is Net Weight: 24.36 lb (11,05 kg). Be sure the outlet box (not included) is securely attached to the building structure and is marked "Acceptable For Fan Support". Failure to do so can result in serious injury.
- This device complies with part 15 of the FCC Rules. Operation is subject to the following two conditions: (1) This device may not cause harmful interference, and (2) this device must accept any interference received, including interference that may cause undesired operation.
- This equipment has been tested and found to comply with the limits for a Class B digital device, pursuant to Part 15 of the FCC Rules. These limits are designed to provide reasonable protection against harmful interference in a residential installation. This equipment generates, uses and can radiate radio frequency energy and, if not installed and used in accordance with the instructions, may cause harmful interference to radio communications. However, there is no guarantee that interference will not occur in a particular installation. If this equipment does cause harmful interference to radio or television reception, which can be determined by turning the equipment off and on, the user is encouraged to try to correct the interference by one or more of the following measures:
 - Reorient or relocate the receiving antenna.
 - Increase the separation between the equipment and receiver
 - Connect the equipment into an outlet on a circuit different from that to which the receiver is connected.
 - Consult the dealer or an experienced radio/TV technician for help.

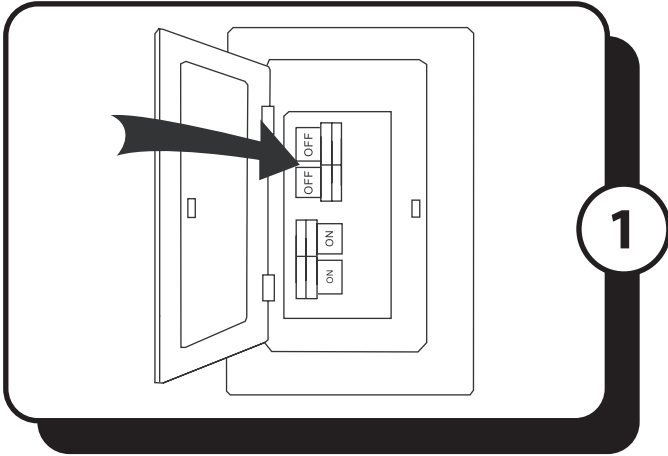
Please note changes or modifications not expressly approved by the party responsible for compliance could void the user's authority to operate the equipment.

HKC-US, 3350 Players Club Pkwy. #225, Memphis, TN 38125, 1-877-459-3267

WARNING:

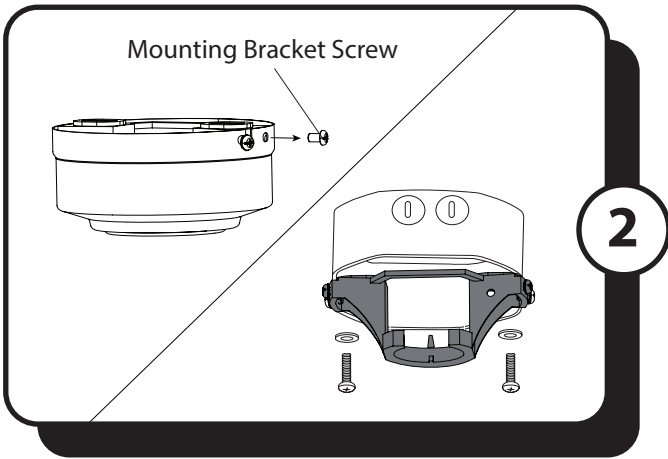
- To avoid risk of electric shock, be sure to shut off power at the main fuse or circuit breaker box before installing or servicing this fixture. Turning off the electrical power by using the light switch is not sufficient to prevent electrical shock.
- To reduce the risk of injury, install the fan so that the blades are at least 7 feet (2.1 Meters) above the floor and at least 18 inches (0.5 Meters) from the tip of the blades to the wall.
- To reduce the risk of fire, electric shock, or personal injury, mount to outlet box marked "acceptable for fan support" and use mounting screws provided with the outlet box.
- The installation has to be in accordance with the National Electrical Code, ANSI/NFPA 70-1999 and local codes. If you are unfamiliar with the methods of installing electrical wiring, seek the services of a qualified licensed electrician.
- Using a full-range dimmer switch to control fan speed will cause a loud humming noise from the fan. To reduce the risk of fire or electric shock, do NOT use a full-range dimmer switch to control the fan speed.

ASSEMBLY INSTRUCTIONS



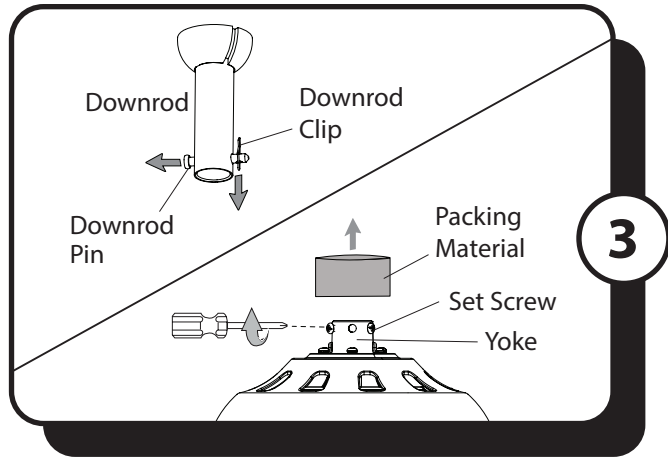
1. Turn OFF the electrical power at the main fuse or circuit breaker.

DANGER: Failure to disconnect the power supply prior to installation may result in serious injury or death.



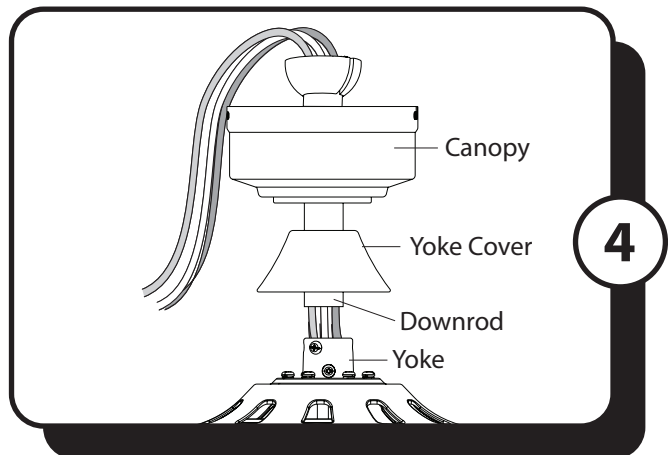
2. Loosen all four mounting bracket screws located on the mounting bracket and completely remove the two screws from the round holes in the canopy. Save the screws for later. Remove the canopy from the mounting bracket. Then, install the mounting bracket to the outlet box (sold separately) using the screws and washers provided with the outlet box.

WARNING: To reduce the risk of fire, electric shock, or personal injury, mount to the outlet box marked "acceptable for fan support" and use the mounting screws and washers provided with the outlet box.



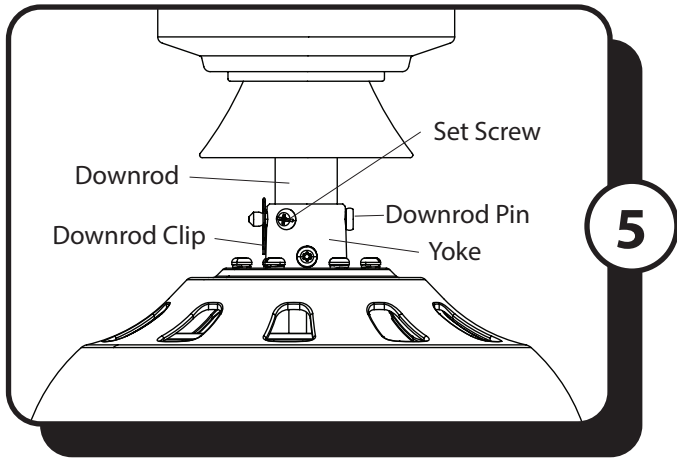
3. Discard the orange packing material from the yoke at the top the motor assembly.

Remove the downrod clip and downrod pin from the downrod. Then, loosen but don't remove the two set screws at the top of the yoke.



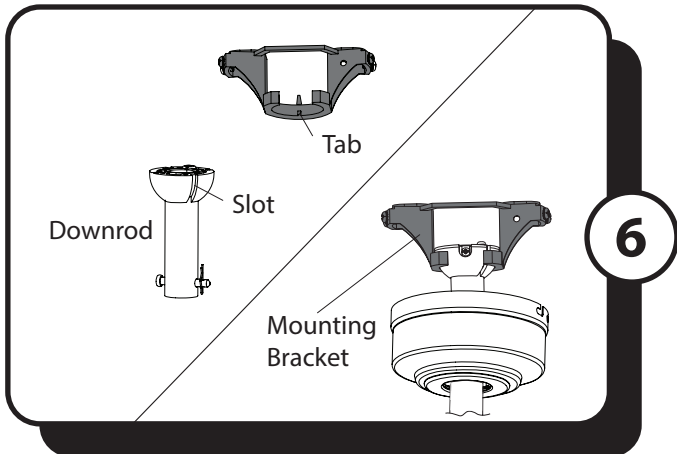
4. Insert the downrod through the canopy and yoke cover. Feed the wires from the fan through the downrod.

ASSEMBLY INSTRUCTIONS



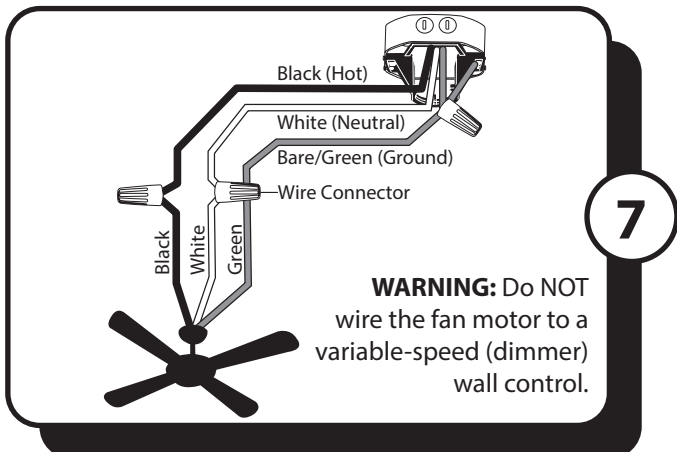
5. Slide the downrod into the yoke of the motor assembly, align the holes, then re-install the downrod pin and downrod clip. Secure with the two set screws and slide the yoke cover down until it rests on top of the motor assembly.

Note: With wiring extending out of the downrod, measure 8 inches of lead wire and cut the excess wire with wire cutters (not included). Then strip 1/2" of insulation from the end of each wire.



6. Install the ball end of the downrod into the opening of the mounting bracket. Rotate the downrod until the tab in the mounting bracket is seated in the slot in the downrod ball.

WARNING: The fan and/or downrod should not rotate in the mounting bracket, if installed correctly. Failure to align the slot in the downrod ball with the tab on the mounting bracket may result in fan falling causing serious injury or death.

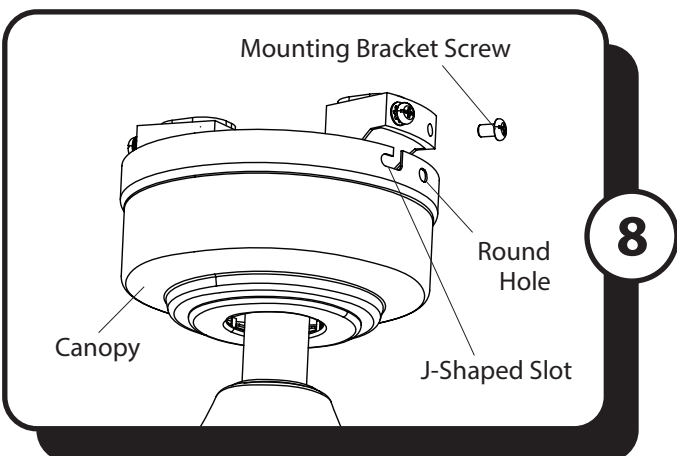


WARNING: Do NOT wire the fan motor to a variable-speed (dimmer) wall control.

7. Use wire connectors to connect the fan wires to the power supply wires according to the wiring diagram and the following instructions:

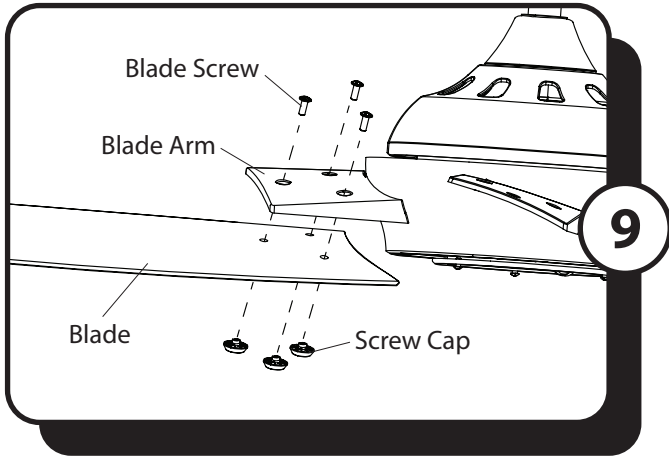
- Connect the Green wires from the downrod and mounting bracket to the Bare/Green (ground) supply wire.
- Connect the White wire from the fan to the White (neutral/common) supply wire.
- Connect the Black wire from the fan to the Black (live/hot) supply wire.

Important: After the connections have been made, the connected wires should be turned upward and pushed carefully up into the outlet box. Place the Black and White wire connections on opposite sides of the outlet box.

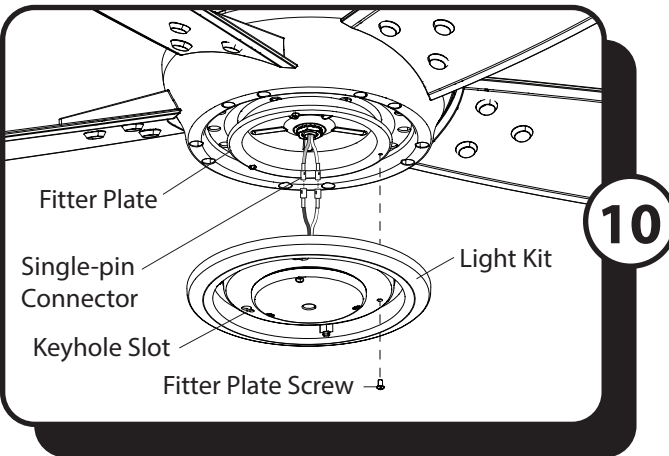


8. Raise the canopy, ensure the two mounting bracket screws are aligned with the J-shaped slots in the canopy. Then turn the canopy in a clockwise direction until the mounting bracket screws are completely engaged in the J-shaped slots. Install the two previously removed mounting bracket screws in the round holes. Securely tighten all mounting bracket screws.

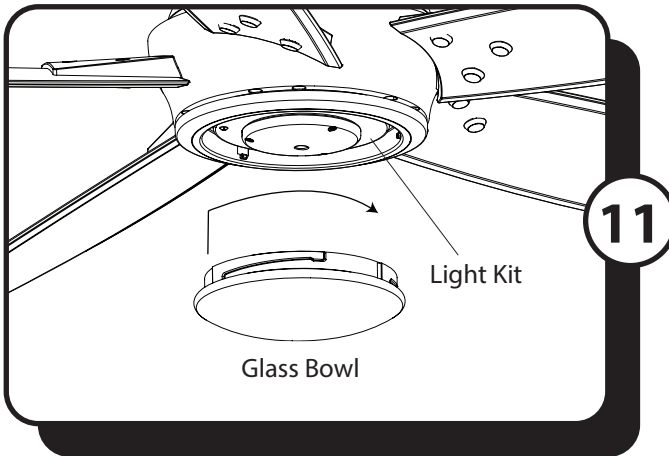
ASSEMBLY INSTRUCTIONS



9. Attach the blade to the blade arm using blade screw and screw cap. Repeat for each blade.

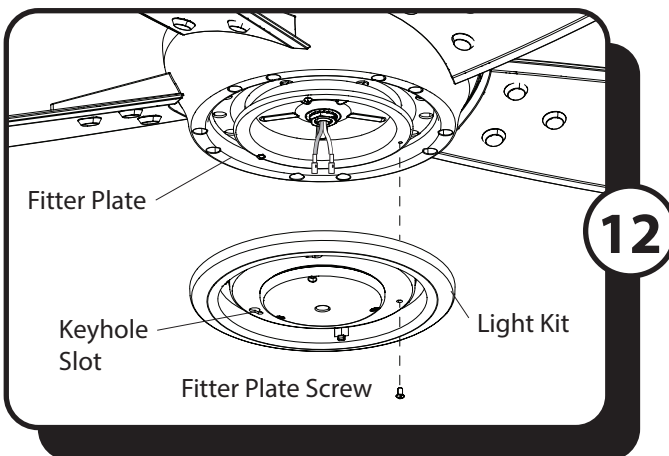


10. **Note: To install without light kit, skip to Step 12.** Remove one of the three fitter plate screws preassembled to the fitter plate and loosen the other two but do not remove. Connect the single-pin connector from the fitter plate to the single-pin connector from the light kit--Blue to Black and White to White. Align the keyhole slots in the light kit with the loosened screws in the fitter plate. Turn light kit clockwise and replace the previously removed fitter plate screw. Tighten all screws.



11. Attach the glass bowl to the light kit by twisting the glass bowl firmly in a clockwise direction until it is secure.

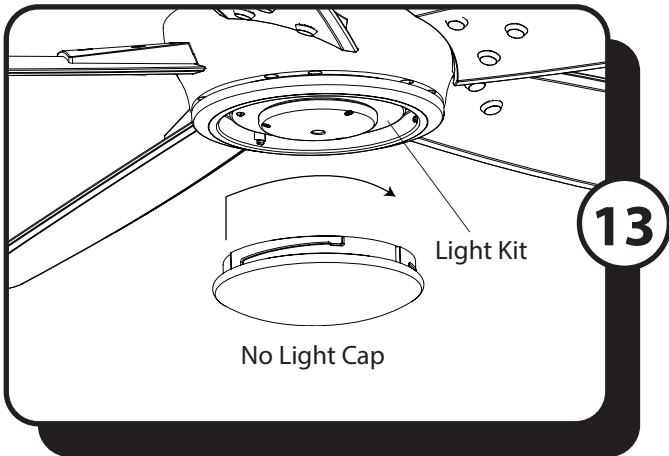
CAUTION: Avoid cross-threading the glass during installation. Improper installation could cause the glass bowl to be difficult to remove or fall, which could cause serious injury.



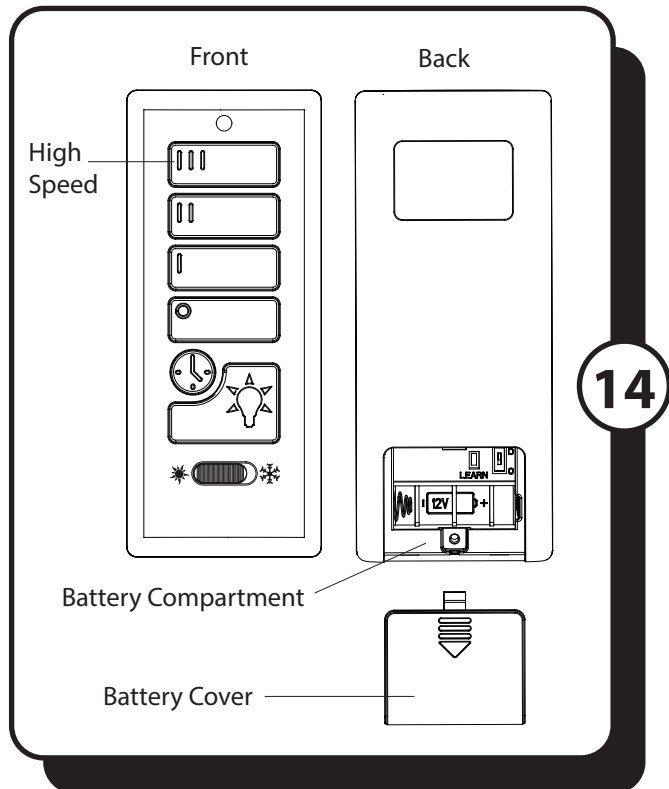
12. **INSTALLATION WITHOUT THE LIGHT KIT (optional)**- Remove one of the three fitter plate screws preassembled to the fitter plate and loosen the other two but do not remove. Align the keyhole slots in the light kit with the loosened screws in the fitter plate. Turn light kit clockwise and replace the previously removed fitter plate screw. Tighten all screws.

WARNING: To avoid fire hazard, DO NOT cut, remove, or connect the single-pin connectors if installing with "no light" option.

ASSEMBLY INSTRUCTIONS

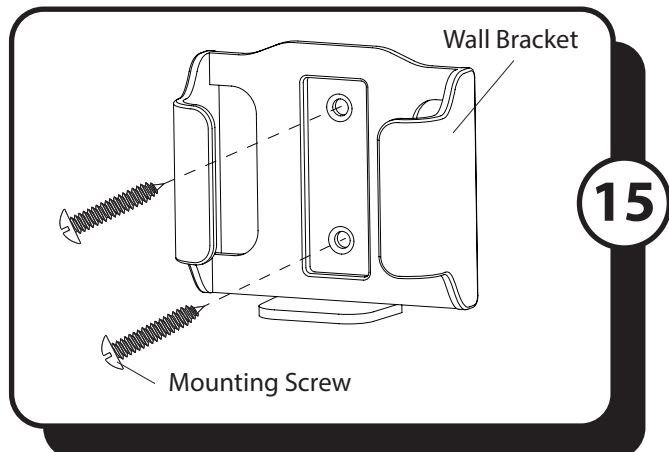


13. **INSTALLATION WITHOUT THE LIGHT KIT** (continued)- Lift the light cap into the light kit and turn in a clockwise direction until it is secure.



14. Remove the battery cover from the back of the remote found in the remote pack. Insert the battery from the remote pack into the remote; ensure polarity of battery matches the polarity indicated in the battery compartment--positive (+) to positive (+) and negative (-) to negative (-). Replace the battery cover and press the HIGH SPEED button on the remote to ensure the remote turns on the fan.

Note: If the remote does not turn on fan, see TROUBLESHOOTING (page 10).

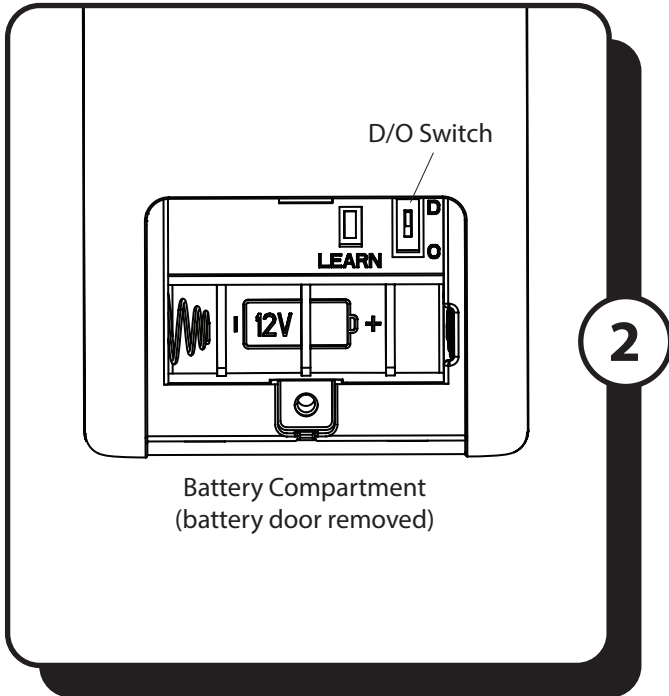
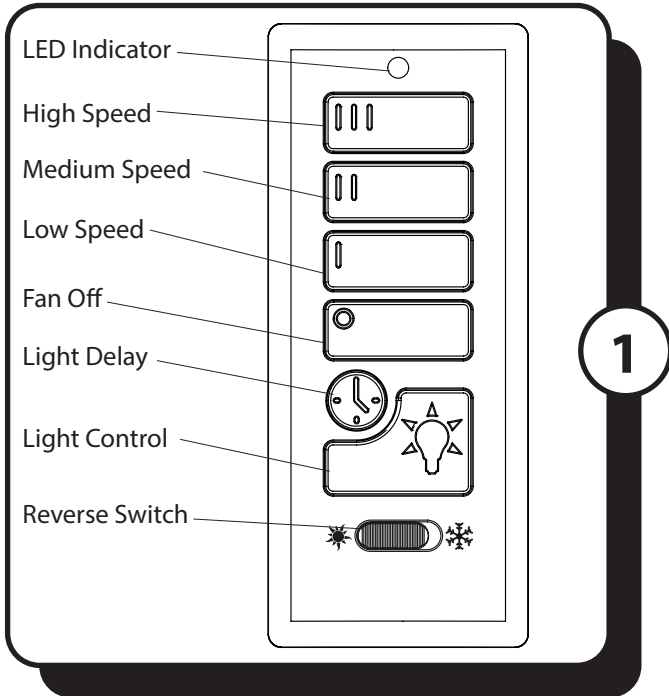


15. If desired, the wall bracket in the remote pack can be installed to a wall using the provided mounting screws. Store the remote in the wall bracket when not in use.

Turn ON the electrical power at the main fuse or circuit breaker and the wall switch.

Assembly is complete.

OPERATING INSTRUCTIONS



1. To operate the fan using the remote, press and release the following buttons:

III - High speed

II - Medium speed

I - Low speed

Fan Off - Turns power to fan off.

Light Delay - Tap the Light Delay button, which will turn off the light after one minute. Tap the Light Control button to exit Light Delay mode.

Light Control - Tap the Light Control button to turn the light off and on. Press and hold Light Control button to dim or brighten the lights.

Reverse Switch - **In warmer weather**, push the Reverse Switch left toward sun icon, which will result in downward airflow creating a wind chill effect.

In cooler weather, push the Reverse Switch right toward the snowflake icon, which will result in upward airflow that can help move hot air off the ceiling.

Important: Wait for the fan to stop before moving the Reverse Switch. The Reverse Switch must be set either completely left or right in order for the fan to function correctly. If the switch is set in the middle position, the fan will not operate.

Low Battery Indicator - LED Indicator will flash for one minute as a reminder to replace the 12-volt battery.

2. Remove battery door from back of the remote, from remote pack, to access the following:

D/O Switch - set to "D" at the factory. The switch should remain in the "D" position to ensure the LED board is dimmable.

LEARN - Syncs remote to receiver (see TROUBLESHOOTING for instructions).

TROUBLESHOOTING

If you have difficulty operating your new ceiling fan, it may be the result of incorrect assembly, installation or wiring. In some cases, these installation errors may be mistaken for defects. If you experience any faults, please check the Troubleshooting section below. If a problem cannot be remedied or you are experiencing difficulty in installation, please contact the Service Department: 1-877-459-3267, 8 a.m. - 5 p.m. Central Time, Monday - Friday.

PROBLEM	SUGGESTED REMEDY
WARNING: To reduce the risk of fire, electrical shock or personal injury, shut off the power supply to fan before you begin any maintenance tasks.	
1. Fan does not start:	<ol style="list-style-type: none">1. Make sure that the wall switch is turned ON.2. Check main and branch circuit fuses or circuit breakers.3. Check all wire connections from household supply wires to the fan.4. Make sure forward/reverse switch is pushed completely left or right. Fan will not operate when switch is in the middle.
2. Fan is noisy:	<ol style="list-style-type: none">1. Make sure all screws in motor assembly are snug, but not overtightened.2. Make sure the screws that attach the blade arms to the motor are tight.3. Make sure wire connectors are not rattling against each other or against the interior wall of the light kit.4. Make sure wire connectors are not rattling against each other or against the interior wall of the canopy.5. Some fan motors are sensitive to signals from Solid State variable speed controls. DO NOT USE a Solid State variable speed control.6. Ensure fan does not wobble excessively (see Fan wobbles solutions below).
3. Fan wobbles:	<ol style="list-style-type: none">1. Ensure the mounting bracket is tightened securely to outlet box and outlet box is mounted firmly to ceiling joist.2. Ensure all blades are screwed firmly into blade arms.3. Ensure all blade arms are tightened securely to motor.4. Switch one blade with a blade from the opposite side. Or balance the fan using the blade balancing kit.5. If blade wobble is still noticeable, interchanging two adjacent (side by side) blades can redistribute the weight and possibly result in smoother operation.
4. Light does not work:	<ol style="list-style-type: none">1. Check for loose or disconnected 9-pin and/or single-pin connectors in switch housing or light kit.
5. Remote control does not work:	<ol style="list-style-type: none">1. After installation is complete, switch the power off and back on again. Within 30 seconds, press and hold the "LEARN" button for 5 seconds, located in the battery compartment. Fan will turn on at low speed and light off (if installed). This confirms that the SMART SYNC is active .2. Insert new 12V battery in battery compartment of the remote control.3. If there are several fans in close proximity, turn power off to other fans and re-sync the remote (see Corrective Action 1 above).

LIMITED LIFETIME WARRANTY

To obtain Service, please contact the Service Department:
1-877-459-3267, 8 a.m. - 5 p.m. Central Time, Monday - Friday.

Model Name: 62" Hubbard Ceiling Fan
Model No: 20691- Espresso (SKU: 355-0705)

The limited lifetime warranty covers this ceiling fan, for residential use by the original purchaser, against defects in material or workmanship as follows:

If your Patriot Lighting Ceiling Fan motor fails at any time during the lifetime of the original purchaser due to defects in material or workmanship, we will provide a replacement part free of charge.

If your fan motor fails at any time within one year after the original date of sale to the original purchaser due to defects in material or workmanship, we will provide labor to repair the defect, with the exception of take down/reinstallation, free of charge. The original purchaser will be responsible for all labor costs after this one year period.

If no replacement parts are provided for any part of your fan motor that fails at any time during your lifetime due to defects in material or workmanship, we will refund the original purchase price of your fan.

If your fan blades, pull chain switch, reverse switch, or any accessory, except glass globes and light bulbs, fails at any time within one year after the original date of purchase due to a defect in material and workmanship, we will repair or, if we choose, replace the defective blades, switch, or accessory free of charge, with the exception of take down/reinstallation services.

If the original purchaser ceases to own the fan, this warranty and any implied warranty, including but not limited to any implied warranty of merchantability or fitness for a particular purpose, become void. This warranty and any implied warranty, including but not limited to any implied warranty of merchantability or fitness for a particular purpose, do not cover glass globes, light bulbs, or finish on any metal portions of the fan.

This warranty is in lieu of express warranties. The duration of any implied warranty of merchantability or fitness for a particular purpose, with respect to any Patriot Lighting Ceiling Fan motor, blades, switch, or accessories, is expressly limited to the period of the express warranty set forth above for such motor, blades, switch, or accessories.

This warranty excludes defects, malfunctions, or failures of any Patriot Lighting Fan that are caused by repairs by persons not authorized by us, use of parts or accessories not authorized by us, mishandling, improper installation, modifications or damage to the fan while in your possession, or unreasonable use, including failure to provide necessary maintenance.

To obtain service, contact the service department. You will be responsible for all insurance and freight or other transportation charges to our factory or service center. A copy of sales receipt is required in order to obtain service. We will return your fan freight prepaid. Your fan should be properly packed to avoid damage in transit, for we will not be responsible for any such damages.

In no event shall Patriot Lighting Fan be liable for consequential or incidental damages.

Some states do not allow the exclusion or limitation of consequential or incidental damages, in which case the above limitation or exclusion may not apply.

This warranty gives you specific legal rights and you may also have other rights which vary from state to state.