

FRENCH DOOR BOTTOM MOUNT REFRIGERATOR OWNER'S MANUAL

MANUEL D'UTILISATION DU RÉFRIGÉRATEUR À PORTE À DOUBLE BATTANT ET CONGÉLATEUR EN BAS

MANUAL DE INSTRUCCIONES DEL REFRIGERADOR CON PUERTA INFERIOR ESTILO FRANCÉS

Table of Contents/Table des matières/Índice

REFRIGERATOR SAFETY2	SÉCURITÉ DU RÉFRIGÉRATEUR.....28	SEGURIDAD DEL REFRIGERADOR...56
REFRIGERATOR CARE3 Cleaning.....3 Changing the Light Bulb5 Refrigerator Shelves5 Opening and Closing Doors.....5 Vacation and Moving Care.....6	ENTRETIEN DU RÉFRIGÉRATEUR.....29 Nettoyage29 Remplacer l'ampoule d'éclairage.....31 Tablettes du réfrigérateur.....31 Ouverture et fermeture des portes....31 Précautions à prendre avant les vacances ou le déménagement.....32	CUIDADO DEL REFRIGERADOR.....57 Limpieza57 Cómo cambiar el foco59 Estantes del refrigerador.....59 Cómo abrir y cerrar las puertas59 Cuidado durante las vacaciones y las mudanzas60
INSTALLATION INSTRUCTIONS7 Getting Started.....7 Unpack the Refrigerator.....7 Location Requirements.....8 Electrical Requirements.....8 Water Supply Requirements9 Connect the Water Supply9 Complete the Installation.....11 Levelling and Door Alignment11	INSTRUCTIONS D'INSTALLATION.....33 Pour commencer33 Déballage du réfrigérateur34 Exigences d'emplacement.....34 Spécifications électriques35 Spécifications de l'alimentation en eau35 Raccordement à la conduite d'eau ...36 Terminer l'installation37 Mise à niveau et alignement des portes38	INSTRUCCIONES DE INSTALACIÓN..61 Cómo empezar61 Desembalaje del refrigerador.....62 Requisitos de ubicación.....62 Requisitos eléctricos.....63 Requisitos del suministro de agua...63 Conexión del suministro de agua.....64 Finalización de la instalación65 Nivelación y alineación de puertas...66
USING THE CONTROLS11 Sabbath Mode.....11	UTILISATION DES COMMANDES38 Mode Sabbath (Sabbat).....38	USO DE LOS CONTROLES66 Modo Sabbath (Sabbat).....66
REFRIGERATOR USE11 Ice Maker and Storage Bin (on some models)11 Internal Water Operation (on some models)12 Filters and Accessories12	UTILISATION DU RÉFRIGÉRATEUR...39 Machine à glaçons et bac d'entreposage à glaçons (sur certains modèles)39 Fonctionnement interne de l'eau (sur certains modèles)40 Filtres et accessoires40	USO DE SU REFRIGERADOR.....67 Fábrica de hielo y depósito de hielo (en algunos modelos)67 Operación interna del agua (en algunos modelos)68 Filtros y accesorios68
DOOR AND HANDLE INSTRUCTIONS15 Remove and Replace Refrigerator Doors15 Remove and Replace Freezer Door19 Handle Installation and Removal20 Shelves, Bins and Drawers.....20 Freezer Storage Compartments22	INSTRUCTIONS POUR LA PORTE ET LA POIGNÉE43 Retrait et réinstallation des portes du réfrigérateur43 Retrait et réinstallation de la porte du congélateur ou retrait du tiroir dur congélateur47 Installation et retrait des poignées48 Tablettes, balconnets et tiroirs49 Compartiments de rangement du congélateur.....50	INSTRUCCIONES DE LA MANIJA Y DE LA PUERTA.....71 Cómo retirar y volver a colocar las puertas del refrigerador71 Retirar y volver a colocar la puerta del congelador, o retirar el cajón del congelador.....75 Cómo instalar y remover las manijas77 Estantes, depósitos y cajones77 Compartimientos de almacenamiento del congelador.....79
PERFORMANCE DATA SHEET.....23	FICHE DE DONNÉES DE PERFORMANCE51	HOJA DE DATOS DE RENDIMIENTO80

REFRIGERATOR SAFETY

Your safety and the safety of others are very important.

We have provided many important safety messages in this manual and on your appliance. Always read and obey all safety messages.



This is the safety alert symbol.

This symbol alerts you to potential hazards that can kill or hurt you and others.

All safety messages will follow the safety alert symbol and either the word "DANGER" or "WARNING." These words mean:

▲ DANGER

You can be killed or seriously injured if you don't immediately follow instructions.

▲ WARNING

You can be killed or seriously injured if you don't follow instructions.

All safety messages will tell you what the potential hazard is, tell you how to reduce the chance of injury, and tell you what can happen if the instructions are not followed.

IMPORTANT SAFETY INSTRUCTIONS

WARNING: To reduce the risk of fire, electric shock, or injury to persons when using your appliance, follow basic precautions, including the following:

- Children should be supervised to ensure that they do not play with the appliance.
- This appliance is not intended for use by persons (including children) with reduced physical, sensory, or mental capabilities, or lack of experience and knowledge, unless they have been given supervision or instruction concerning use of the appliance by a person responsible for their safety.
- Do not use an extension cord.
- If power supply cord is damaged, it must be replaced by the manufacturer, its service agent, or a similarly qualified person in order to avoid a hazard.
- Connect to potable water supply only.
- This appliance is intended to be used in household and similar applications such as: staff kitchen areas in shops, offices, and other working environments; farm houses and by clients in hotels, motels, and other residential-type environments; bed and breakfast-type environments; and catering and similar non-retail applications.
- Do not store explosive substances such as aerosol cans with a flammable propellant in this appliance.
- Use the new hose-sets supplied with the appliance and that old hose-sets should not be reused.
- Do not use replacement parts that have not been recommended by the manufacturer (e.g., parts made at home using a 3D printer).
- Keep ventilation openings, in the appliance enclosure or in the built-in structure, clear of obstruction.
- Do not use mechanical devices or other means to accelerate the defrosting process, other than those recommended by the manufacturer.
- Do not damage the refrigerant circuit.
- Do not use electrical appliances inside the food storage compartments of the appliance, unless they are of the type recommended by the manufacturer.
- Ice maker kit can be added to some models. See serial tag inside the food compartment of appliance for ice maker kit model information.
- A qualified service technician must install the water line and ice maker. See installation instructions supplied with ice maker kit for complete details.
- When positioning the appliance, ensure the supply cord is not trapped or damaged.
- Do not locate multiple portable socket-outlets or portable power supplies at the rear of the appliance.

SAVE THESE INSTRUCTIONS

Proper Disposal of Your Old Refrigerator

WARNING: Risk of child entrapment. Before you throw away your old refrigerator or freezer:

- Take off the doors.
- Leave the shelves in place so that children may not easily climb inside.

⚠ WARNING

Suffocation Hazard

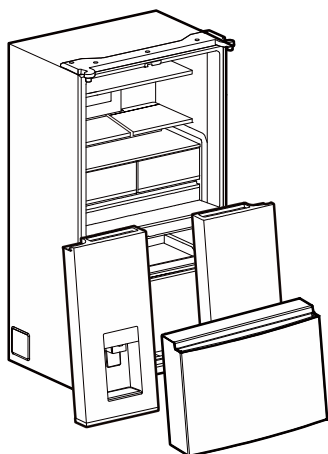
Remove doors or lid from your old appliance.

Failure to do so can result in death or brain damage.

IMPORTANT: Child entrapment and suffocation are not problems of the past. Junked or abandoned freezers or refrigerators, are still dangerous, even if they will sit for “just a few days.” If you are getting rid of your old refrigerator or freezer, please follow these instructions to help prevent accidents.

Important information to know about disposal of refrigerants:

Dispose of refrigerator in accordance with Federal and Local regulations. Refrigerants must be evacuated by a licensed, EPA certified refrigerant technician in accordance with established procedures.



REFRIGERATOR CARE

Cleaning

⚠ WARNING



Explosion Hazard

Risk of Fire or Explosion.

Flammable Refrigerant Used.

Do Not Use Mechanical Devices to Defrost Refrigerator.

Do Not Puncture Refrigerant Tubing.

Both the refrigerator and freezer sections defrost automatically. However, clean both sections about once a month to avoid odor buildup. Wipe up spills immediately.

IMPORTANT:

- Because air circulates between all sections, any odors formed in one section will transfer to the other. You must thoroughly clean all sections to eliminate odors. To avoid odor transfer and drying out of food, wrap or cover foods tightly.
- Do not use abrasive or harsh cleaners such as window sprays, scouring cleansers, flammable fluids, muriatic acid, cleaning waxes, concentrated detergents, bleaches or cleansers containing petroleum products on doors and cabinet, plastic parts, interior and door liners or gaskets. Do not use paper towels, scouring pads, or other harsh cleaning tools.
- For stainless steel models, stainless steel is corrosion resistant and not corrosion-proof. To help avoid corrosion of your stainless steel, keep your surfaces clean by using the following cleaning instructions.

Cleaning the Touch Screen Display

1. Make sure the refrigerator is unplugged or the power is disconnected before wiping the screen to avoid unintentionally changing the settings.
2. Mix a solution of mild detergent in warm water. Dampen a soft, lint-free cloth with the solution and gently wipe the screen.
NOTE: Do not spray or wipe liquids directly onto the screen or over-saturate the cloth.
3. Plug in refrigerator or reconnect power.

Cleaning the Interior

IMPORTANT: Refrigerator shelves with under-shelf, LED lighting are not dishwasher safe.

1. Unplug refrigerator or disconnect power.
2. Hand wash, rinse, and dry removable parts and interior surfaces thoroughly. Use a clean sponge or soft cloth and a mild detergent in warm water.
3. Plug in refrigerator or reconnect power.

Cleaning the Exterior

IMPORTANT: Damage to smooth finish due to improper use of cleaning products or using non-recommended cleaning products is not covered under the warranty. Sharp or blunt instruments will mar the finish.

1. Unplug refrigerator or disconnect power.
2. Using a clean sponge or soft cloth and a mild detergent in warm water, wash, rinse, and thoroughly dry stainless steel and painted metal exteriors. To keep your stainless steel refrigerator looking like new and to remove minor scuffs or marks, it is suggested that you use the manufacturer's approved stainless steel cleaner and polish. This cleaner is for stainless steel parts only. Refer to the Quick Start Guide for ordering information.

NOTE: When cleaning stainless steel, always wipe in the direction of the grain to avoid cross-grain scratching.

Do not allow the stainless steel cleaner and polish to come into contact with any plastic parts such as the trim pieces, dispenser covers, or door gaskets. If unintentional contact does occur, clean plastic part with a sponge and mild detergent in warm water. Dry thoroughly with a soft cloth.

3. Plug in refrigerator or reconnect power.

Please see the exterior cleaning information specific to your model.

Style 1: Smooth Door/Painted Metal

DO USE	DO NOT USE
<ul style="list-style-type: none"> ■ Soft, clean cloth 	<ul style="list-style-type: none"> ■ Abrasive cloths ■ Paper towels or newsprint ■ Steel-wool pads
<ul style="list-style-type: none"> ■ Warm, soapy water with a mild detergent 	<ul style="list-style-type: none"> ■ Abrasive powders or liquids ■ Window sprays ■ Ammonia ■ Acidic or vinegar-based cleaners ■ Oven cleaners ■ Flammable fluids

NOTE: Paper towels scratch and may dull the clear coat of the painted door. To avoid possible damage, use only soft, clean cloths to polish and wipe the door.

Style 2: Stainless Steel

DO USE	DO NOT USE
<ul style="list-style-type: none"> ■ Soft, clean cloth 	<ul style="list-style-type: none"> ■ Abrasive cloths ■ Paper towels or newsprint ■ Steel-wool pads
<ul style="list-style-type: none"> ■ Warm, soapy water with a mild detergent 	<ul style="list-style-type: none"> ■ Abrasive powders or liquids ■ Ammonia ■ Citrus-based cleaners ■ Acidic or vinegar-based cleaners ■ Oven cleaners
<ul style="list-style-type: none"> ■ For heavy soil, use only a manufacturer's approved stainless steel cleaner and polish 	<ul style="list-style-type: none"> ■ Abrasive powders or liquids ■ Ammonia ■ Citrus-based cleaners ■ Acidic or vinegar-based cleaners ■ Oven cleaners ■ Abrasive cloths ■ Paper towels or newsprint ■ Steel-wool pads

NOTE:

- If unintentional contact does occur, clean plastic part with a sponge and mild detergent in warm water. Dry thoroughly with a soft cloth.
- Avoid exposing stainless steel appliances to caustic or corrosive elements such as high-salt, high-moisture, or high-humidity environments. Damage due to exposure to these elements is not covered under the warranty.
- Just because a cleaner is a liquid does not mean it is nonabrasive. Many liquid cleansers formulated to be gentle on tile and smooth surfaces still damage stainless steel.
- When cleaning stainless steel, always wipe in the direction of the grain to avoid cross-grain scratching.
- Citric acid permanently discolors stainless steel. To avoid damaging the finish of your stainless steel refrigerator:

Do not allow these substances to remain on the finish:

- Mustard
- Tomato juice
- Marinara sauce
- Citrus-based sauces
- Citrus-based products

Condenser Cleaning

⚠ WARNING



Explosion Hazard

Risk of Fire or Explosion due to Puncture of Refrigerant Tubing;

Follow Handling Instructions Carefully.

Flammable Refrigerant Used.

There is no need for routine condenser cleaning in normal home operating environment. If the environment is particularly greasy or dusty or there is significant pet traffic in the home, the condenser should be cleaned every 6 months to ensure maximum efficiency.

1. Unplug refrigerator or disconnect power.
2. Remove the base grille.
3. Use a vacuum cleaner with a soft brush to clean the grille, the open areas behind the grille, and the front surface area of the condenser.
4. Replace the base grille when finished.
5. Plug in refrigerator or reconnect power.

NOTE: If you are unable to clean the condenser, please call for service.

Changing the Light Bulb

IMPORTANT: The lights in both the refrigerator and freezer compartments use LED technology. If the lights do not illuminate when the door or drawer is opened, call for assistance or service. Refer to the "Quick Start Guide" for contact information.

The lighting system in this appliance may consist of:

- Sealed LED modules
- LED Bulbs
- Incandescent Bulbs
- Or a combination of the above.

Refrigerator Shelves

Important information to know about glass shelves and covers:

Do not clean glass shelves or covers with warm water when they are cold. Shelves and covers may break if exposed to sudden temperature changes or impact, such as bumping. Tempered glass is designed to shatter into many small, pebble-size pieces. This is normal. Glass shelves and covers are heavy. Use both hands when removing them to avoid dropping.

The shelves in your refrigerator are adjustable to match your individual storage needs.

Storing similar food items together in your refrigerator and adjusting the shelves to fit different heights of items will make finding the exact item you want easier. It will also reduce the amount of time the refrigerator door is open, and save energy.

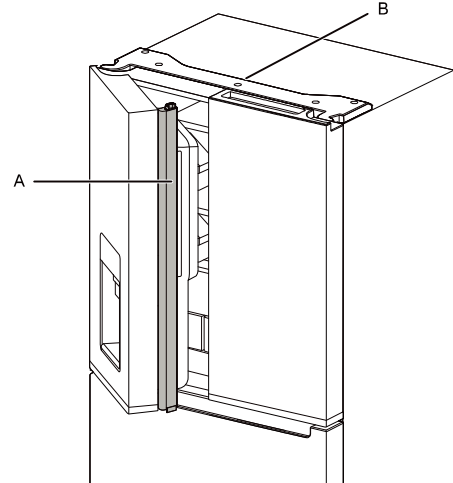
Opening and Closing Doors

There are two refrigerator compartment doors. The doors can be opened and closed either separately or together.

There is a vertically-hinged seal on the left refrigerator door.

- When the left-hand door is opened, the hinged seal automatically folds inward so that it is out of the way.
- When both doors are closed, the hinged seal automatically forms a seal between the two doors.

NOTE: When closing the door, the hinged seal should be in correct position (be bent inside). Otherwise it will hit the right door or the fixing shaft.



A. Hinged seal
B. Hinged cover

The refrigerator compartment door switch is located in the top left and right hinge cover.

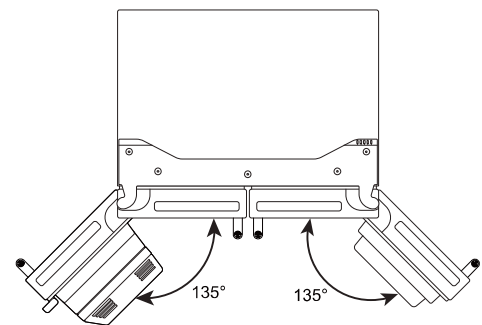
- For Freezer space, door switch is located in the bottom left rail support.
- The door switch uses magnet to sense door opening/closing.
- Ensure there are no magnet or electronic devices (Speaker) within 3 inches of the hinge cap.

NOTE: The light and internal user interface (UI) will not turn on if the door opening is not detected.

Half Shelf Height Adjustment

Half shelf height can be adjusted by changing its location from bottom support to upper support and vice versa.

- Open right side door and left side door till 135°.
- Refer to "Shelves, Bins and Drawers" for detail.



The Ice Dispenser (on some models)

IMPORTANT:

- If the ice cubes are hollow or have an irregular shape, it could be because of low water pressure. See the "Water Supply Requirements" section.
- Ice travels from the ice storage bin through the dispenser chute to the dispenser. To turn off the ice maker, see the "Ice Maker and Storage Bin" section.
- The dispenser may continue to make noise and ice may continue to dispense for several seconds after releasing the dispenser button or paddle.

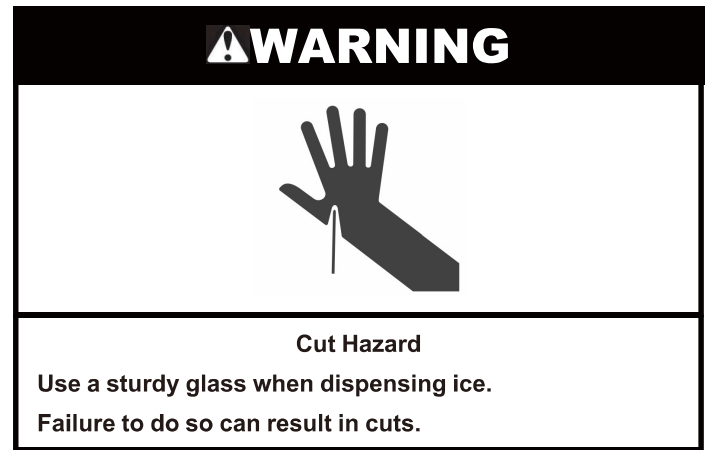
To Clean the Ice Dispenser Chute:

Humidity causes ice to naturally clump together. Ice particles can build up until the ice dispenser chute becomes blocked.

If ice is not dispensed regularly, it may be necessary to empty the ice storage bin and clean the ice delivery chute, the ice storage bin, and the area beneath the storage bin every 2 weeks.

- If necessary, remove the ice clogging the storage bin and delivery chute using a plastic utensil.
- Clean the ice delivery chute and the bottom of the ice storage bin using a warm, damp cloth, and then dry thoroughly.

To Dispense Ice - Paddle Dispensing



1. Select the desired type of ice by pressing CUBED ICE or CRUSHED ICE.
2. Press a sturdy glass against the dispenser paddle. Hold the glass close to the dispenser opening, so ice does not fall outside of the glass.
IMPORTANT: You do not need to apply a lot of pressure to the paddle to activate the ice dispenser. Pressing hard will not make the ice dispense faster or in greater quantities.
3. Remove the glass to stop dispensing.
NOTE: Ice may continue to dispense for several seconds after removing the glass from the dispenser paddle. The dispenser may continue to make noise for a few seconds after dispensing.

The Dispenser Light (on some models)

- When you use the dispenser, the light will automatically turn on.

Vacation and Moving Care

Vacation

If You Choose to Leave the Refrigerator On While You're Away:

1. Use up any perishables and freeze other items.
2. Press the Mode button and choose Vacation mode.
3. If your refrigerator has an automatic ice maker, and is connected to the household water supply, turn off the water supply to the refrigerator. Property damage can occur if the water supply is not turned off.
4. If you have an automatic ice maker, turn off the ice maker.
 - Press the ice maker off.
5. Empty the ice bin.

If You Choose to Turn Off the Refrigerator Before You Leave:

1. Remove all food from the refrigerator.
2. If your refrigerator has an automatic ice maker:
 - Turn off the water supply to the ice maker at least one day ahead of time.
 - When the last load of ice drops, press the switch to OFF position, either on the ice maker or UI control, depending on your model.
3. Empty the ice bin.
4. Clean refrigerator, wipe it, and dry well.
5. Tape rubber or wood blocks to the tops of both doors to prop them open far enough for air to get in. This stops odor and mold from building up.

NOTE: In vacation mode, the water and ice dispensers do not work.

Moving

When you are moving your refrigerator to a new home, follow these steps to prepare it for the move.

1. If your refrigerator has an automatic ice maker:
 - Turn off the water supply to the ice maker at least one day ahead of time.
 - Disconnect the water line from the back of the refrigerator.
 - When the last load of ice drops, press the switch to OFF position, either on the ice maker or UI control, depending on your model.
2. Remove all food from the refrigerator and pack all frozen food in dry ice.
3. Empty the ice bin.
4. Unplug refrigerator.
5. Clean, wipe, and dry thoroughly.
6. Take out all removable parts, wrap them well, and tape them together so they don't shift and rattle during the move.
7. Depending on the model, raise the front of the refrigerator so it rolls more easily or raise the leveling screws so they don't scrape the floor. See "Adjust the Door(s)" or "Leveling and Door Alignment."
8. Tape the doors closed and tape the power cord to the back of the refrigerator.

When you get to your new home, put everything back and refer to the "Installation Instructions" section for preparation instructions. Also, if your refrigerator has an automatic ice maker, remember to reconnect the water supply to the refrigerator.

INSTALLATION INSTRUCTIONS

Getting Started

Installation Checklist

Doors

- If doors need to be removed during installation, see the "Remove and Replace Refrigerator Doors" and "Remove and Replace Freezer Door Fronts" sections.
- Doors seal completely.
- Adjust leveling feet so they are snug against the floor.
- Doors are even across the top. (Use door alignment feature if necessary).

Final Checks

- Remove all shipping material.
- Set temperature controls to the recommended setting.
- Save instructions and other literature.

In order to receive a more complete assistance, please register your product, refer to the Quick Start Guide for more information.

Unpack the Refrigerator

⚠ WARNING

Excessive Weight Hazard

Use two or more people to move and install or uninstall appliance.

Failure to do so can result in back or other injury.

Refrigerator Delivery

- A minimum door opening of 33" (838 mm) is required. If door opening is 36" (914 mm) or less, then removal of doors, drawer, and hinges is required.
- Cart the refrigerator from the side for all door openings.

Remove the Packaging

- Remove tape and glue residue from surfaces before turning on the refrigerator. Rub a small amount of liquid dish soap over the adhesive with your fingers. Wipe with warm water and dry.
- Do not use sharp instruments, rubbing alcohol, flammable fluids, or abrasive cleaners to remove tape or glue. These products can damage the surface of your refrigerator. For more information, see "Refrigerator Safety."
- Dispose of/recycle all packaging materials.

When Moving Your Refrigerator:

Your refrigerator is heavy. When moving the refrigerator for cleaning or service, be sure to cover the floor with cardboard or hardboard to avoid floor damage. Always pull the refrigerator straight out when moving it. Do not wiggle or "walk" the refrigerator when trying to move it, as floor damage could occur.

Clean Before Using

After you remove all of the packaging materials, clean the inside of your refrigerator before using it. See the cleaning instructions in "Refrigerator Care."

Important information to know about glass shelves and covers:

Do not clean glass shelves or covers with warm water when they are cold. Shelves and covers may break if exposed to sudden temperature changes or impact, such as bumping. Tempered glass is designed to shatter into many small, pebble-size pieces. This is normal. Glass shelves and covers are heavy. Use both hands when removing them to avoid dropping.

Location Requirements

⚠️ WARNING



Explosion Hazard

Keep flammable materials and vapors, such as gasoline, away from appliance.

Use nonflammable cleaner.

Failure to do so can result in death, explosion, or fire.

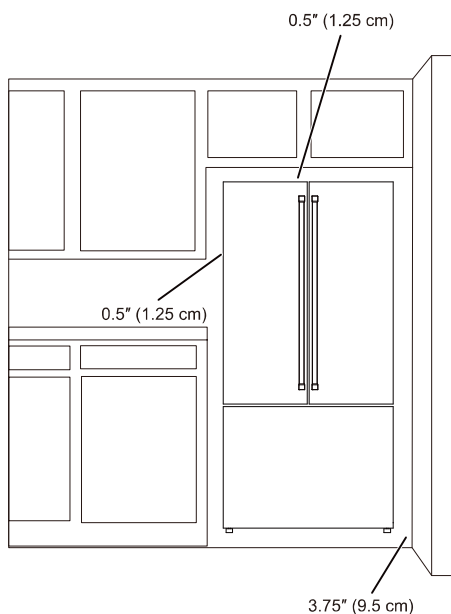
IMPORTANT: This appliance is intended to be used indoor for household and similar applications such as:

- Farm houses and by clients in hotels, motels and other residential type environments.
- Bed and breakfast type environments.
- Catering and similar non-retail applications.

NOTE: If the manufacturer wants to limit the use of the appliance to less than the above, this has to be clearly stated in the instructions.

To ensure proper ventilation for your refrigerator, allow for a 0.5" (1.25 cm) space on each side and 0.5" (1.25 cm) space at the top. Allow for a 2" (5 cm) space behind the refrigerator. If your refrigerator has an ice maker, allow extra space at the back for the water line connections. When installing your refrigerator next to a fixed wall, leave a 3.75" (9.5 cm) minimum space between the refrigerator and wall to allow the door to swing open.

NOTE: This refrigerator is intended for use in a location where the temperature ranges from a minimum of 50°F (10°C) to a maximum of 110°F (43°C). The preferred room temperature range for optimum performance, which reduces electricity usage and provides superior cooling, is between 60°F (15°C) and 90°F (32°C). It is recommended that you do not install the refrigerator near a heat source, such as an oven or radiator.



Electrical Requirements

⚠️ WARNING



Electrical Shock Hazard

Plug into a grounded 3 prong outlet.

Do not remove ground prong.

Do not use an adapter.

Do not use an extension cord.

Failure to follow these instructions can result in death, fire, or electrical shock.

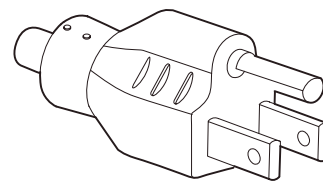
IMPORTANT: Installation and electrical connection must be carried out by a qualified technician according to the manufacturer's instructions and in compliance with the local safety regulations.

- The refrigerator is designed to operate on a separate 115 V, 60 Hz circuit.
- Make sure the voltage specified on the rating plate corresponds to that of your home.
- It must be possible to disconnect the appliance from the power supply by unplugging it or by means of a main two pole switch installed upstream of the socket.
- If the supply cord is damaged, it must be replaced by the manufacturer, its service agent or similarly qualified persons in order to avoid a hazard.
- Do not use a cord that shows cracks or abrasion damage along its length or at either the plug or connector end.

Before you move your refrigerator into its final location, it is important to make sure you have the proper electrical connection:

Recommended Grounding Method

A 115 V, 60 Hz AC-only 15 A or 20 A fused, grounded electrical supply is required. It is recommended that a separate circuit serving only your refrigerator and approved accessories be provided. Use an outlet that cannot be turned off by a switch. Do not use an extension cord.



Type B

IMPORTANT: If this product is connected to a GFCI (Ground Fault Circuit Interrupter) protected outlet, nuisance tripping of the power supply may occur, resulting in loss of cooling. Food quality and flavor may be affected. If nuisance tripping has occurred, and if the condition of the food appears poor, dispose of the food.

NOTE: Before performing any type of installation or cleaning, or removing a light bulb, turn cooling off or turn the control (Thermostat, Refrigerator or Freezer Control depending on the model) to Off. On models with a digital temperature control, press the minus sign touch pads repeatedly until a dash (-) appears in both the freezer and refrigerator displays. Disconnect the refrigerator from the electrical source. When you are finished, reconnect the refrigerator to the electrical source and turn cooling on or reset the control (Thermostat, Refrigerator or Freezer Control depending on the model) to the desired setting. See the Quick Start Guide”.

Water Supply Requirements

Gather the required tools and parts before starting installation. Read and follow the instructions provided with any tools listed here.

Tools Needed:

- Flat-blade screwdriver
- 7/16" and 1/2" Open-end or two adjustable wrenches
- 1/4" Nut driver
- 1/4" Drill bit
- Cordless drill

- Connect to potable water supply only.

Do not use with water that is microbiologically unsafe or of unknown quality without adequate disinfection before or after the system. Systems certified for cyst reduction may be used on disinfected waters that may contain filterable cysts.

- All installations must meet local plumbing code requirements.
- Do not use a piercing-type or 3/16" (4.76 mm) saddle valve which reduces water flow and clogs more easily.
- Use copper or PEX tubing and check for leaks. Install copper or PEX tubing only in areas where the household temperatures will remain above freezing.
- For models with water filters, the disposable water filter should be replaced at least every 6 months.

Water Pressure

A cold water supply with water pressure of between 20 psi and 120 psi (138 kPa and 827 kPa) is required to operate the water dispenser and ice maker. If you have questions about your water pressure, call a licensed, qualified plumber.

NOTE: If the water pressure is less than what is required, the flow of water from the water dispenser could decrease or ice cubes could be hollow or irregular shaped.

Reverse Osmosis Water Supply

IMPORTANT: The pressure of the water supply coming out of a reverse osmosis system going to the water inlet valve of the refrigerator needs to be between 20 psi and 120 psi (138 kPa and 827 kPa).

If a reverse osmosis water filtration system is connected to your cold water supply, the water pressure to the reverse osmosis system needs to be a minimum of 40 psi to 60 psi (276 kPa to 414 kPa).

If the water pressure to the reverse osmosis system is less than 40 psi to 60 psi (276 kPa to 414 kPa):

- Check to see whether the sediment filter in the reverse osmosis system is blocked. Replace the filter if necessary.
- Allow the storage tank on the reverse osmosis system to refill after heavy usage. The tank capacity could be too small to keep up with the requirements of the refrigerator.

NOTE: Faucet-mounted reverse osmosis systems are not recommended.

- If your refrigerator has a water filter, it may further reduce the water pressure when used in conjunction with a reverse osmosis system. Remove the water filter. See “Filters And Accessories.”

If you have questions about your water pressure, call a licensed, qualified plumber.

Connect the Water Supply

Read all directions before you begin.

IMPORTANT:

- Plumbing shall be installed in accordance with the International Plumbing Code and any local codes and ordinances.
- The gray water tubing on the back of the refrigerator (which is used to connect to the household water line) is a PEX (cross-linked polyethylene) tube. Copper and PEX tubing connections from the household water line to the refrigerator are acceptable, and will help avoid off-taste or odor in your ice or water. Check for leaks. If PEX tubing is used instead of copper, we recommend the following part numbers: W10505928RP (7 ft [2.14 m] jacketed PEX), 8212547RP (5 ft [1.52 m] PEX), or W10267701RP (25 ft [7.62 m] PEX).
- Install tubing only in areas where temperatures will remain above freezing.
- Connect to a potable water supply only. Do not use with water that is microbiologically unsafe or of unknown quality without adequate disinfection before or after the system. Systems certified for cyst reduction may be used on disinfected waters that may contain filterable cysts.

Tools Needed:

Gather the required tools and parts before starting installation.

- Flat-blade screwdriver
- 7/16" and 1/2" Open-end or two adjustable wrenches
- 1/4" Nut driver
- 1/4" Drill bit
- Cordless drill

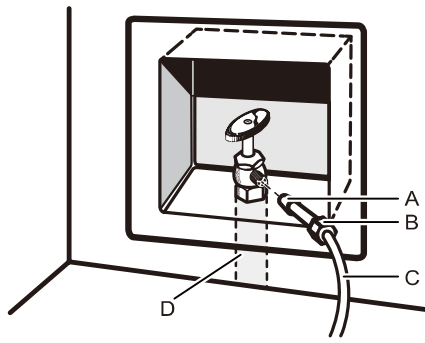
NOTE: Your refrigerator dealer has a kit available with a 1/4" (6.35 mm) saddle-type shut-off valve, a union, and copper or PEX tubing. Before purchasing, make sure a saddle-type valve complies with your local plumbing codes. Do not use a piercing-type or 3/16" (4.76 mm) saddle valve which reduces water flow and clogs more easily.

Connect to Water Line

IMPORTANT: If you turn on the refrigerator before the water line is connected, turn off the ice maker.

1. Unplug refrigerator or disconnect power.
2. Turn off main water supply. Turn on nearest faucet long enough to clear line of water.
3. Use a quarter-turn shut-off valve or the equivalent, served by a 1/2" copper or PEX household supply line.

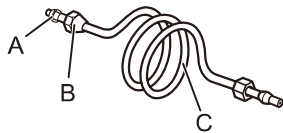
NOTE: To allow sufficient water flow to the refrigerator, a minimum 1/2" size copper or PEX household supply line is recommended.



A. Bulb
B. Nut
C. Copper or PEX tubing (to refrigerator)
D. Household supply line (1/2" minimum)

- Now you are ready to connect the copper or PEX tubing to the shut-off valve. Use 1/4" (6.35 mm) O.D. (Outside Diameter) soft copper or PEX tubing to connect the shut-off valve and the refrigerator.

- Ensure that you have the proper length needed for the job. Be sure both ends of the copper tubing are cut square.
- Slip compression sleeve and compression nut onto copper tubing as shown. (PEX tubing has compression sleeves and compression nuts preinstalled.) Insert end of tubing into outlet end squarely as far as it will go. Screw compression nut onto outlet end with adjustable wrench. Do not overtighten.



A. Compression sleeve
B. Compression nut
C. Copper or PEX tubing

- Place the free end of the tubing into a container or sink, and turn on main water supply to flush out tubing until water is clear. Turn off shut-off valve on the water pipe.

NOTE: Always drain the water line before making the final connection to the inlet of the water valve, to avoid possible water valve malfunction.

- Bend the copper or PEX tubing to meet the water line inlet, which is located on the back of the refrigerator cabinet. Leave a coil of copper or PEX tubing to allow the refrigerator to be pulled out of the cabinet or away from the wall for service.

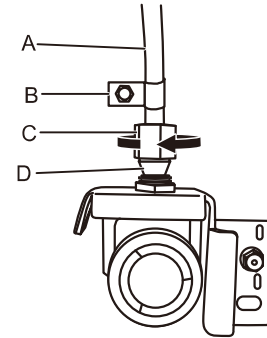
Connect to Refrigerator

Depending on your model, the water line may come down from the top or up from the bottom. Follow the connection instructions for your model.

Style 1

- Remove plastic cap from water valve inlet port. Attach the copper or PEX tube to the valve inlet using a compression nut and sleeve as shown. Tighten the compression nut. Do not overtighten. Confirm copper or PEX tubing is secure by pulling on tubing.

- Create a service loop with the copper tubing. Avoid kinks when coiling the tubing. Secure copper or PEX tubing to refrigerator cabinet with a "P" clamp.



A. Copper or PEX tubing
B. "P" clamp
C. Compression nut
D. Compression sleeve

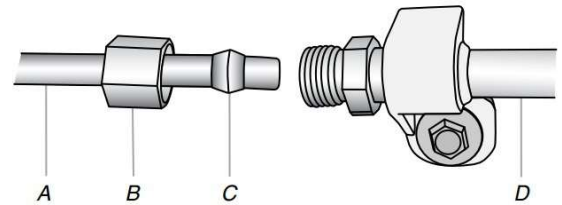
- Turn on water supply to refrigerator and check for leaks. Correct any leaks.
- If ice is desired, turn on the ice maker.

NOTE: Allow 24 hours to produce the first batch of ice. Discard the first three batches of ice produced. Allow three days to completely fill the ice storage bin.

Style 2

- Unplug refrigerator or disconnect power.
- Remove and discard the short, black plastic part from the end of the water line inlet.
- Thread the nut onto the end of the tubing. Tighten the nut by hand. Then tighten it with a wrench two more turns. Do not overtighten.

NOTE: To avoid rattling, be sure the copper tubing does not touch the cabinet's side wall or other parts inside the cabinet.



A. Household water line
B. Nut (purchased)
C. Ferrule (purchased)
D. Refrigerator water tubing

- Install the water supply tube clamp around the water supply line to reduce strain on the coupling.
- Turn shut-off valve on.
- Check for leaks. Tighten any connections (including connections at the valve) or nuts that leak.
- On some models, the ice maker is equipped with a built-in water strainer. If your water conditions require a second water strainer, install in the 1/4" (6.35 mm) water line at either tube connection. Obtain a water strainer from your appliance dealer.

Complete the Installation

⚠ WARNING



Electrical Shock Hazard

Plug into a grounded 3 prong outlet.

Do not remove ground prong.

Do not use an adapter.

Do not use an extension cord.

Failure to follow these instructions can result in death, fire, or electrical shock.

1. Plug into a grounded 3 prong outlet.

NOTE: Allow 24 hours to produce the first batch of ice. Discard the first three batches of ice produced. Allow 3 days to completely fill the ice storage bin.

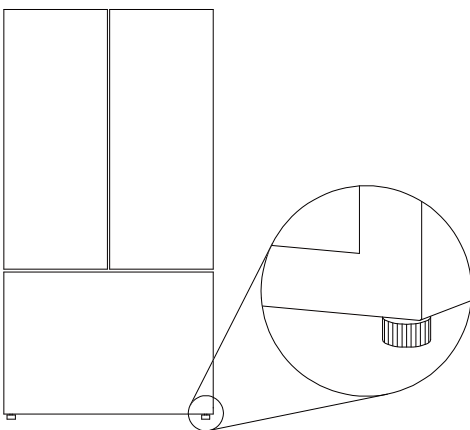
2. Flush the water system. See "Water and Ice Dispensers."

Levelling and Door Alignment

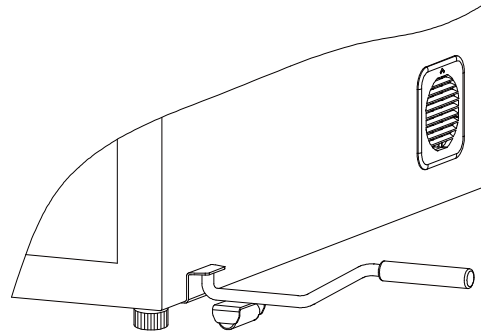
The refrigerator has two front leveling legs. Adjust the legs to alter the tilt from front-to-back or side-to-side.

Adjust the refrigerator's tilt using instructions below:

1. Turn the leveling leg to the left to raise that side of the refrigerator. To the opposite side, you can lower the refrigerator. It may take several turns to raise or lower the refrigerator.
2. The adjustment range of the leveling legs is limited. If the ground unevenness is greater than 8 mm, please call the service for help.
3. If left or right side door is lower than another side, please adjust the leveling leg to raise or lower the refrigerator.



4. Use a household tool to lift the refrigerator up as required. This will make adjusting leveling legs easier.



USING THE CONTROLS

Sabbath Mode

- Unlock the user interface. See "Key Lock" item for details.
- To activate or turn off Sabbath Mode, see "Mode Button" item for details.
- The Sabbath mode stays active for 80 hours once it is activated. After that, it will be deactivated automatically.
- When the refrigerator is in Sabbath mode, the buttons, the display, and the internal lights do not function. The refrigerator and freezer, however, continue to cool.

REFRIGERATOR USE

Ice Maker and Storage Bin (on some models)

IMPORTANT: To avoid low ice production and poor quality ice, flush the water system before turning on the ice maker. See the "Water Dispenser" section.

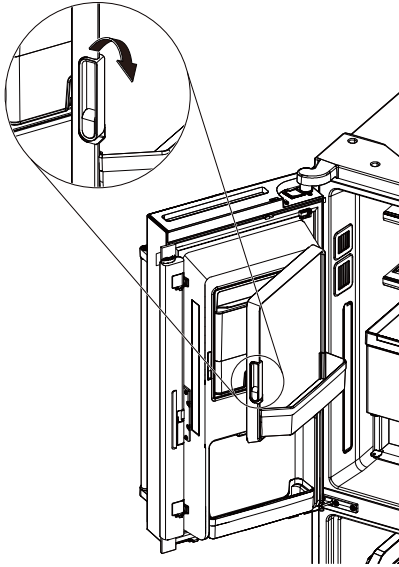
- Following installation, allow 24 hours to produce the first batch of ice. Discard the first 3 batches of ice produced. Allow 2 to 3 days to fill the ice storage bin.
- The quality of your ice will be only as good as the quality of the water supplied to your ice maker. Avoid connecting the ice maker to a softened water supply. Water softener chemicals (such as salt) can damage parts of the ice maker lead to poor quality ice. If a softened water supply cannot be avoided, make sure the water softener is operating properly and is well maintained.
- If the ice in the storage bin clumps together, break up ice using a plastic utensil and discard. Do not use anything sharp to break up the ice. This can cause damage to the ice bin and the dispenser mechanism.
- Do not store anything in the ice storage bin.
- Ice maker kits shall be installed only by the manufacturer or it's service technicians.

Style 1 - Ice Maker in the Refrigerator (on some models)

The ice maker is located on the left door behind the bins. Ice cubes are ejected into the ice storage bin located on the left-hand refrigerator door.

Remove and Replace the Ice Storage Bin

To open the Ice Maker box, pull the ice maker door lever until the door releases.



- Remove the ice storage bin by inserting your fingers into the hole at the base of the bin and pulling the latch to release the bin from the compartment. Lift the storage bin up and pull it straight out.
- Replace the storage bin inside the ice compartment and push down to make sure it is firmly in place.

Ice Production Rate

- Your ice maker should produce approximately 3.5 lbs (1.6 kg) of ice per day under normal operation.

Turn the Ice Maker On/Off

- To Turn on your Ice Maker, navigate to the Ice maker section under **Ice Maker On/3sec.**
- To Turn off your Ice Maker, navigate to the Ice maker section under **Ice Maker Off/3sec.**

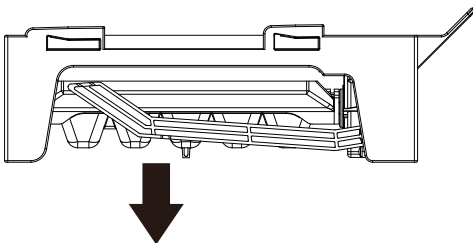
NOTE: Your ice maker has an automatic shutoff. The sensor will automatically stop ice production if the storage bin is full or the door is open. The control will remain in the On position.

Style 2 - Ice Maker in the Freezer (on some models)

The ice maker is powered on by default.

Press and hold Freezer button on user interface to manually turn the ice maker ON or OFF.

The sensor will automatically stop ice production if the storage bin is full or the door is open.



NOTE: Turn off the ice maker before removing the ice storage bin to serve ice or to clean the bin. This will keep the ice cubes from dropping out of the ice maker and into the freezer compartment. After replacing the ice storage bin, turn on the ice maker.

Wash the ice storage bin with mild soap and warm water.

Slide the ice storage bin under the ice maker and push it toward the back as far as it will go.

Ice Production Rate

Allow 24 hours to produce the first batch of ice. Discard the first three batches of ice produced.

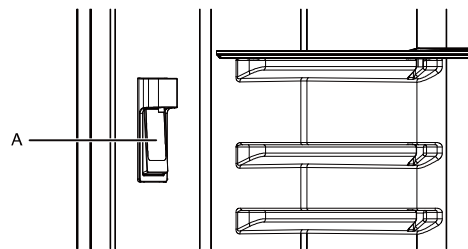
Allow 3 days to completely fill the ice storage bin. The ice maker should produce approximately 3 lbs (1.4 kg) (8 to 12 batches) of ice in a 24-hour period.

Once the ice box is full, if you want to make more ice, use an ice spatula to move the ice inside the ice box towards the door.

Internal Water Operation (on some models)

- Press and hold the water paddle to turn on water dispensing.
- Release the water paddle to turn off the water dispensing.

NOTE: Put the water cup as close as possible to the water paddle when dispensing water. Release the water paddle and wait 1 more second before moving the water cup away. Otherwise, there may be water spill out of the cup.



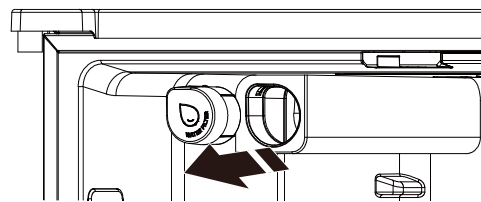
A. Water dispenser paddle

Filters and Accessories

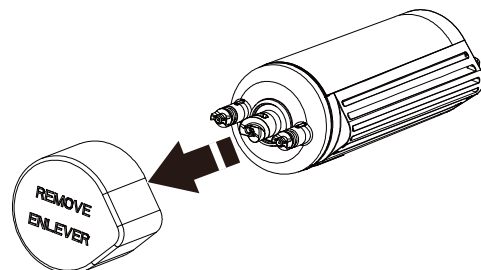
Do not use with water that is microbiologically unsafe or of unknown quality without adequate disinfection before or after the system. Systems certified for cyst reduction may be used on disinfected waters that may contain filterable cysts.

Water Filter Installation

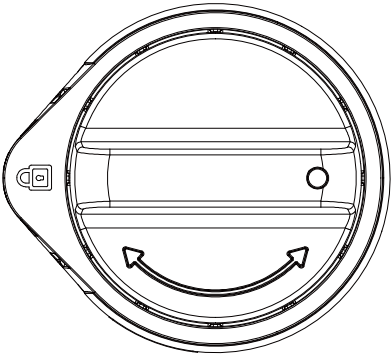
1. Locate the filter housing in the upper left corner of the refrigerator and remove the filter cover.



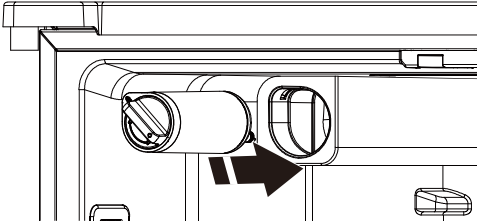
2. Take the filter out of the packaging and remove the protective cover on the filter.



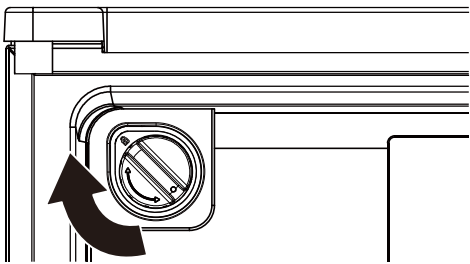
3. Make sure the locking knob is in the non-locking position.



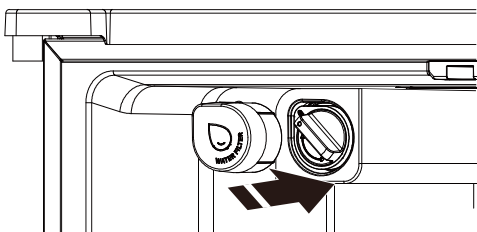
4. Insert the filter into the filter housing.



5. Turn the locking knob clockwise 180° to keep the filter locked.



6. Re-install the filter cover.



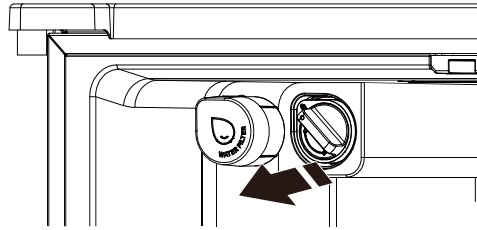
NOTE: If the filter is not installed correctly, water may dispense at a lower flow rate and there will be slower ice production. Improper filter installation may also cause the water filter housing to leak.

Replace and Install the Water Filter

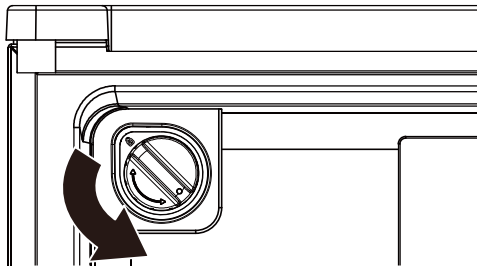
The water filter should be replaced every 6 months based on a flow rate of 0.52 gpm (1.97 LPM) that filters 200 gallons (757 L) of water.

To order a replacement filter, refer to the online ordering information in “Quick Start Guide.”

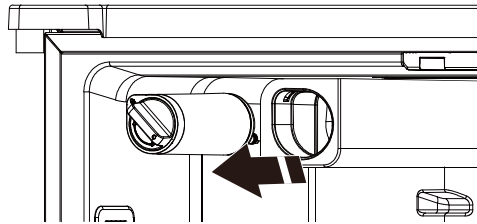
1. Locate the filter housing in the upper left corner of the refrigerator and remove the filter cover.



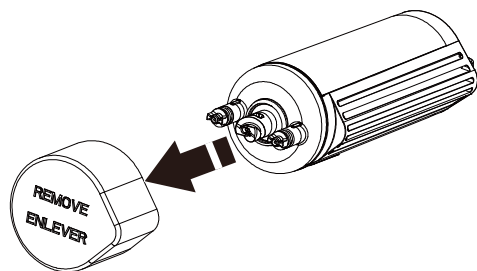
2. Turn the locking knob 180° counterclockwise so that the filter is in the unlocking state.



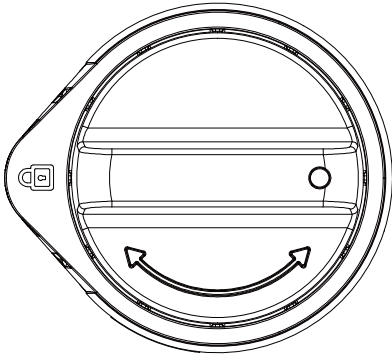
3. Remove the old filter outwards.



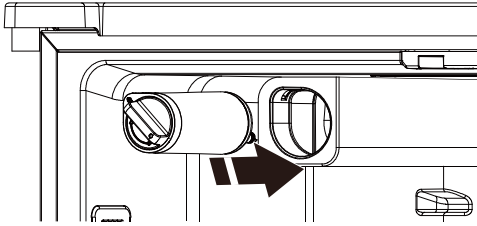
4. Pick up the new filter and remove the shield from the filter.



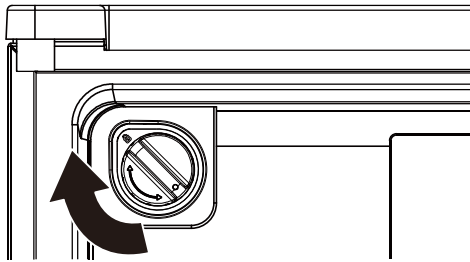
5. Make sure the locking knob is in the unlocking position.



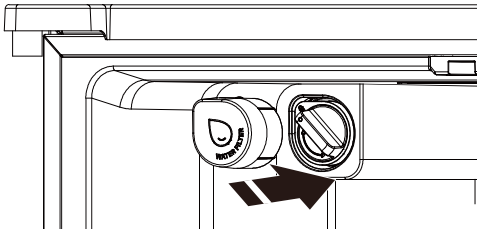
6. Insert the filter into the filter housing.



7. Turn the locking knob clockwise 180° to keep the filter locked.



8. Cover the filter.



The Water Filter Status Lights

The Water Filter Status indicator displays the status of the water filter.

- The “Replace Filter” or “Reset Filter” icon (depending on the model) will illuminate and blink continuously during dispensing when the rated volume of water has passed through the filter or 6 months have passed since the filter was installed.

A new water filter should be installed immediately when the “Replace Filter” or “Reset Filter” light is illuminated.

- After 14 days at Replace Filter stage, the “Replace Filter” or “Reset Filter” icon will glow at all times and blink continuously during dispensing. Also, an alert chime will sound three times following dispensing.

The water filter should be replaced at least every 6 months. After changing the water filter, the user needs to reset the filter status light. Press and hold the “Reset filter” or “Refrigerator” (depending on the model) button for 3 seconds to reset the Water filter status. After that, the icon “Replace Filter” or “Reset filter” will turn OFF.

NOTE: “Replace filter” will remain illuminated if the filter is not reset on the user interface (UI).

To order a replacement filter, refer to the online ordering information in “Quick Start Guide.”

NOTE: If the filter is not installed correctly, water may dispense at a lower flow rate and there will be slower ice production. Improper filter installation may also cause the water filter housing to leak.

- Use an EVERYDROP water filter for fresh-tasting ice and water.
- Swap every six months for clean water.
- For clean, fresh-tasting ice and water, use an everydrop® water filter in your refrigerator.
- The only filter approved by Whirlpool, Maytag, Amana, KitchenAid and JennAir brands.*

*everydrop® products and the recommended brand's products are owned and distributed by Whirlpool Corporation.

- Just one everydrop® approved water filter replaces 1,500 plastic water bottles* you don't need to buy, and that won't end up in our oceans or on our sidewalks.

*16.9 oz size bottle.

everydrop®




DOOR AND HANDLE INSTRUCTIONS

Remove and Replace Refrigerator Doors

NOTE: Measure the width of your door opening to see whether or not you need to remove refrigerator doors to move refrigerator into your home. If door removal is necessary, see the following instructions.

IMPORTANT: If refrigerator was previously installed and you are moving it out of the home, turn refrigerator control off before you begin removing the doors. Unplug refrigerator or disconnect power. Remove food and adjustable door or utility bins from doors.

TOOLS NEEDED: 6 mm socket wrench, 5 mm socket wrench and #2 Phillips screwdriver.



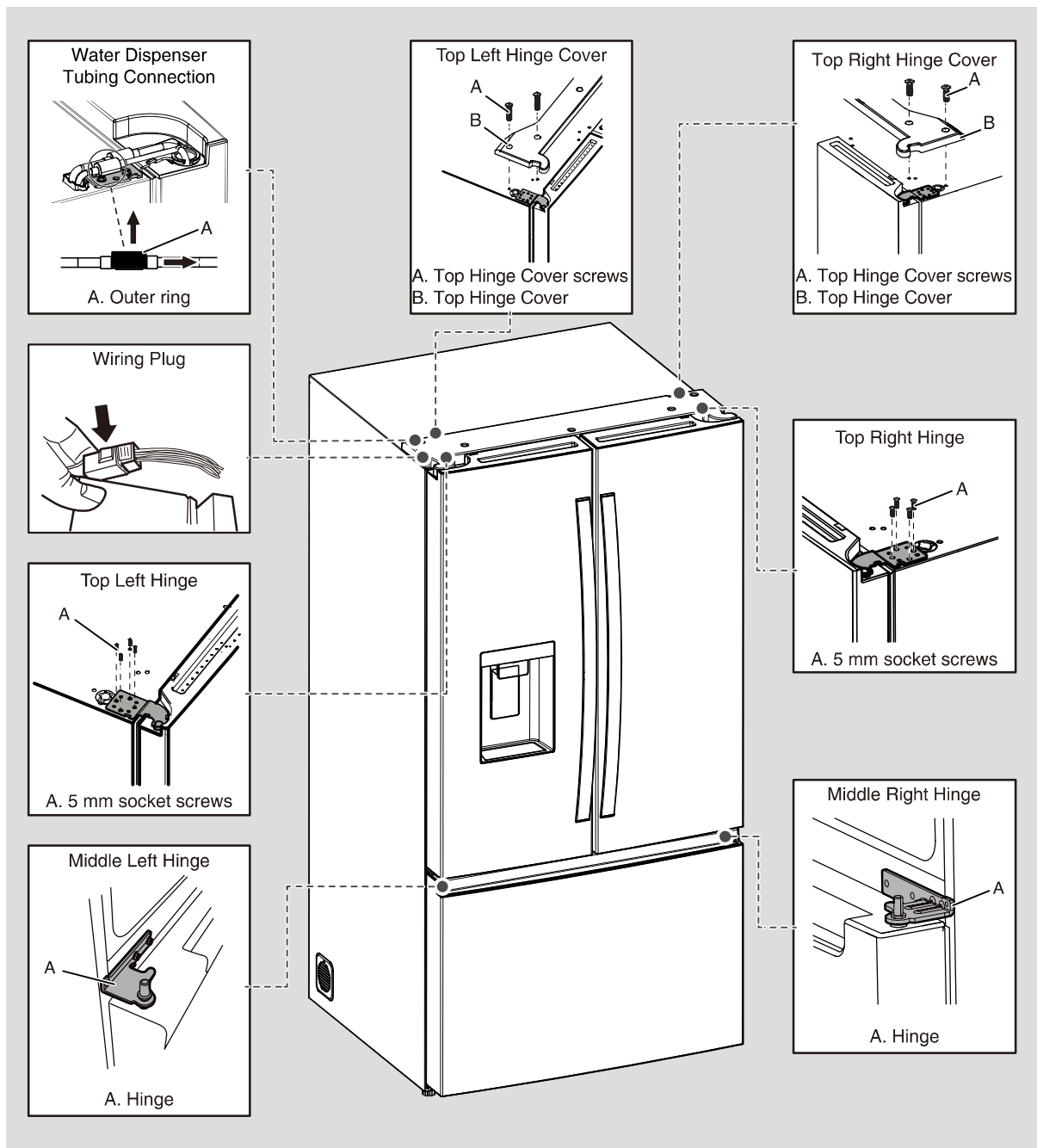
⚠ WARNING

Electrical Shock Hazard

Disconnect power before removing doors.

Failure to do so could result in death or electrical shock.

Style 1 - Ice Maker in the Left-Hand Door




Remove and Replace Refrigerator Doors

NOTE: Measure the width of your door opening to see whether or not you need to remove refrigerator doors to move refrigerator into your home. If door removal is necessary, see the following instructions.

IMPORTANT: If refrigerator was previously installed and you are moving it out of the home, turn refrigerator control off before you begin removing the doors. Unplug refrigerator or disconnect power. Remove food and adjustable door or utility bins from doors.

TOOLS NEEDED: 6 mm socket wrench, 5 mm socket wrench and #2 Phillips screwdriver.



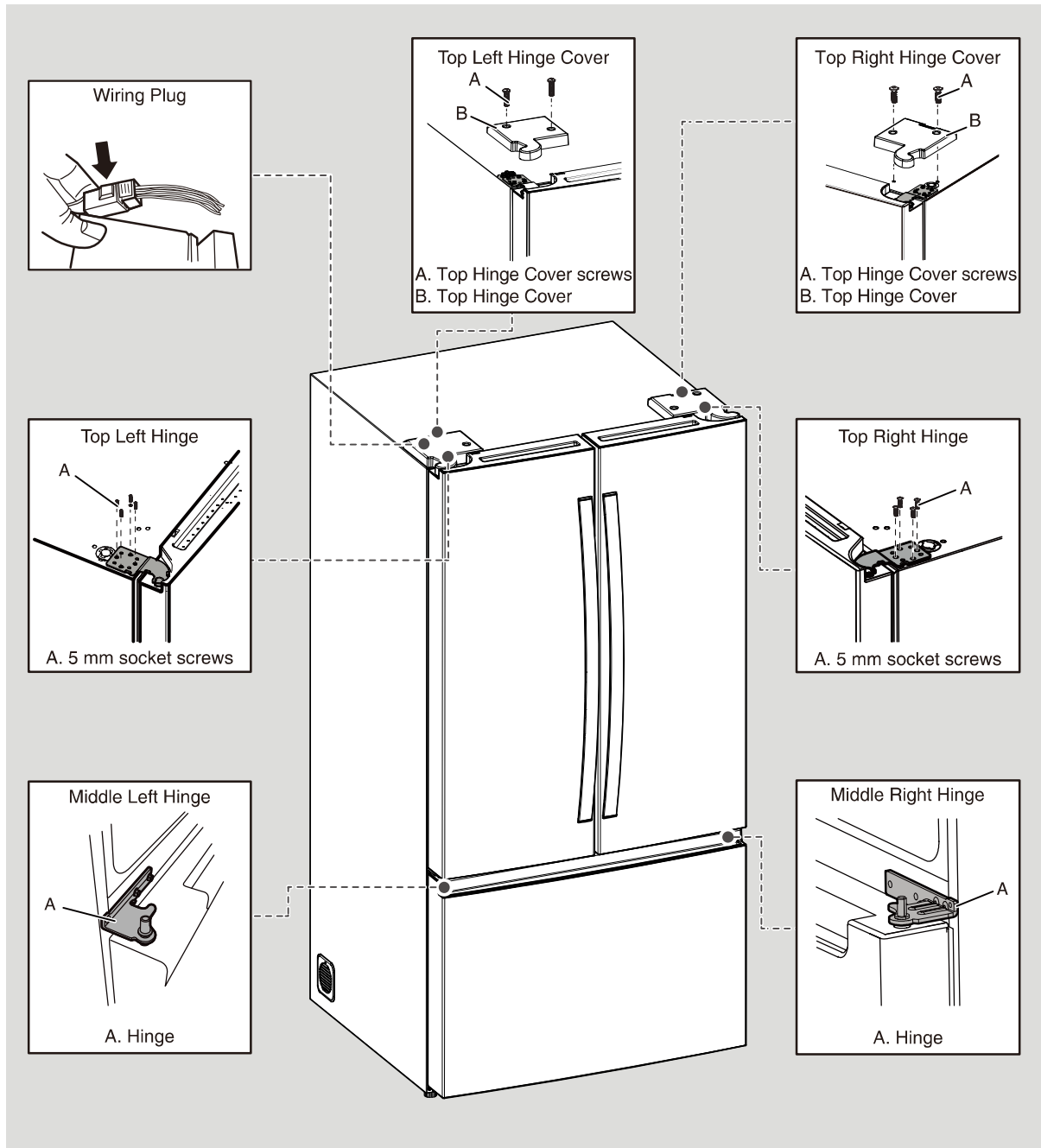
⚠ WARNING

Electrical Shock Hazard

Disconnect power before removing doors.

Failure to do so could result in death or electrical shock.

Style 2 - Non-Ice Maker in the Left-Hand Door



Remove Refrigerator Doors

⚠ WARNING



Electrical Shock Hazard

Disconnect power before removing doors.

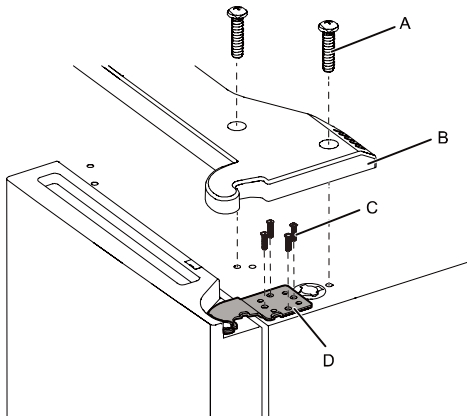
Failure to do so could result in death or electrical shock.

Remove Right-Hand Door

1. Unplug refrigerator or disconnect power.
2. Keep refrigerator doors closed until you are ready to lift them free from the cabinet.

NOTE: Provide additional support for refrigerator door while the hinges are being removed. Do not depend on the door gasket magnets to hold the door in place while you are working.

3. Using a Phillips screwdriver, remove cover from top hinge.
4. Using 5 mm socket wrench, remove four screws from top hinge and set aside.



- A. Top hinge cover screw
- B. Top hinge cover
- C. 5 mm socket screws
- D. Top hinge

⚠ WARNING

Excessive Weight Hazard

Use two or more people to lift the appliance door.

Failure to do so can result in back or other injury.

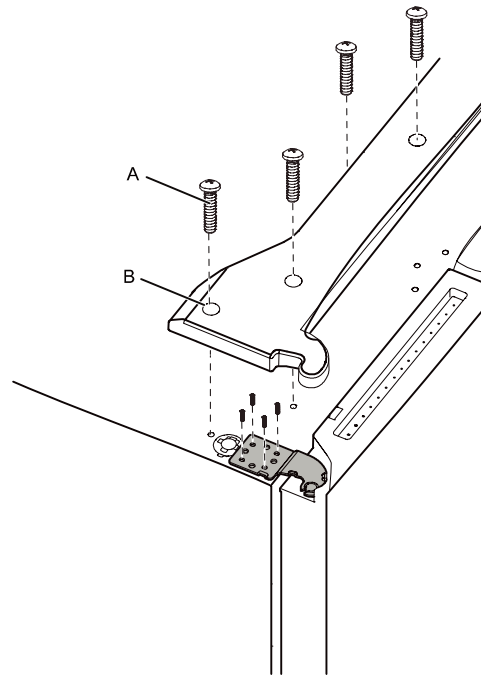
5. Lift refrigerator door from the middle hinge pin. The top hinge will come away with the door.

Remove Left-Hand Door

IMPORTANT: The wiring for UI run through left-hand door hinge, so they must be disconnected before removing the door.

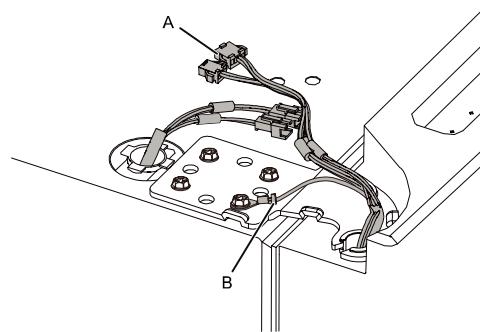
Style 1 - Ice Maker in the Left-Hand Door

1. Using a Phillips screwdriver, remove cover from top hinge.



- A. Top hinge cover screw
- B. Top hinge cover

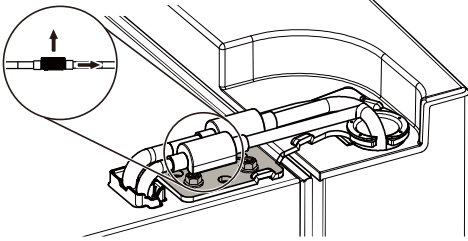
2. Disconnect two wiring plugs located on top of the door hinge.
 - Grasp each side of wiring plugs. With your left thumb, press down to release the catch and pull the sections of the plugs apart.



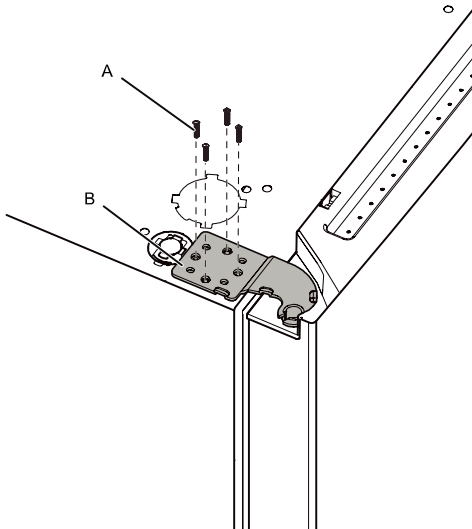
- A. Wiring Plug
- B. Ground (earth) connector

3. Disconnect the water dispenser tubing located on top of the door hinge. Firmly pull up on the clasp. Then, pull the tubing out of the fitting.

NOTE: The water dispenser tubing remains attached to the left-hand refrigerator door.



4. Using 5 mm socket wrench, remove four internal screws from top hinge and set aside.



A. 5 mm socket screws
B. Top Hinge

NOTE: Provide additional support for refrigerator door while hinges are being removed. Do not depend on the door gasket magnets to hold the door in place while you are working.

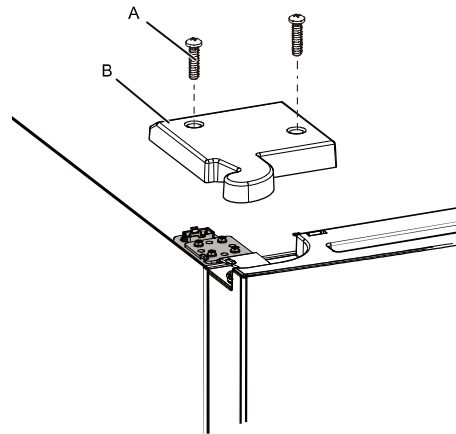
5. Lift refrigerator door from bottom hinge pin. The top hinge will come away with door.

NOTE: It may not be necessary to remove brake feet assemblies to move the refrigerator through a doorway.

- Only if necessary, use 6 mm socket wrench and #2 Phillips screwdriver to remove middle hinge.

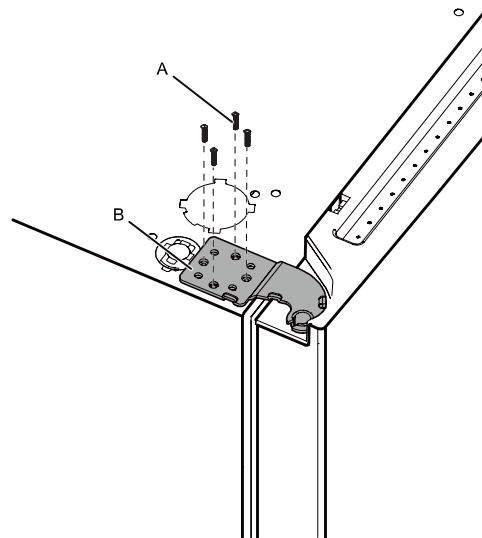
Style 2 - Non-Ice Maker in the Left-Hand Door

1. Using a Phillips screwdriver, remove cover from top hinge.



A. Top hinge cover screw
B. Top hinge cover

2. Using 5 mm socket wrench, remove four internal screws from top hinge and set aside.



A. 5 mm socket screws
B. Top Hinge

NOTE: Provide additional support for refrigerator door while hinges are being removed. Do not depend on the door gasket magnets to hold the door in place while you are working.

3. Lift refrigerator door from bottom hinge pin. The top hinge will come away with door.

NOTE: It may not be necessary to remove brake feet assemblies to move the refrigerator through a doorway.

- Only if necessary, use 6 mm socket wrench and #2 Phillips screwdriver to remove middle hinge.

Replace Right-Hand Refrigerator Door

1. Set right-hand door onto middle hinge pin.
2. Insert top hinge pin into open hole in top of refrigerator door.
3. Using four 5 mm socket screws, fasten hinge to cabinet. Do not tighten screws completely.

Replace Left-Hand Refrigerator Door

1. Set left-hand door onto middle hinge pin.
2. Using four 5 mm socket screws, fasten hinge to cabinet. Do not tighten screws completely.
3. Reconnect electrical wiring.
 - Push together two sections of wiring plug.
 - Reconnect earth wire to hinge screw.

Final Steps

1. Completely tighten eight 5 mm socket screws.
2. Replace top hinge covers.

Remove and Replace Freezer Door

Depending on the width of your door opening, it may be necessary to remove the freezer door to move the refrigerator into your home.

IMPORTANT:

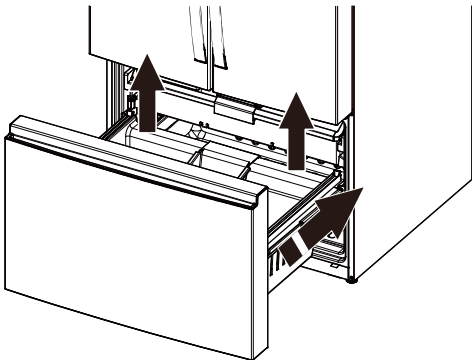
- If the refrigerator was previously installed and you are moving it out of the home, before you begin, turn the refrigerator control off, and unplug the refrigerator or disconnect power.
- Remove food and any adjustable door or utility bins from doors.
- Two people may be required to remove and replace the freezer door.

Tools Needed: Phillips screwdriver.

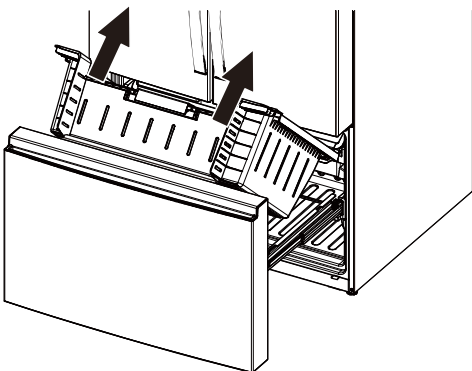
Remove And Replace The Freezer Door Or Remove The Freezer Drawer

NOTE: Whether it is removing the freezer door, replacing the freezer door, or removing the freezer drawer, you must first complete steps 1 to 3, and then select steps 4, 5, and 6 according to your needs.

1. Open the freezer door to its full extension.
2. Lift the top drawer up and push it forward to the inside of the cabinet.

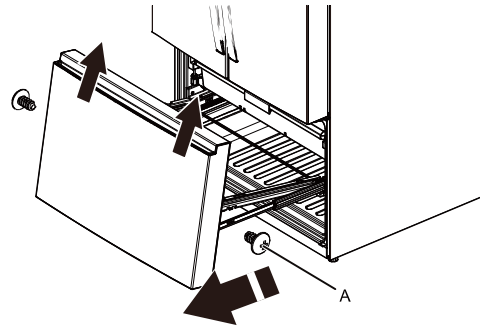


3. Take off the bottom drawer, put it outside the cabinet.



4. Remove The Freezer Door

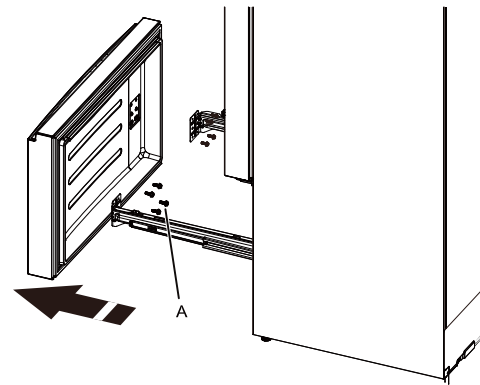
Use a Phillips screwdriver to remove the screws connecting the freezer door to the guide rail, one screw on each side, lift the freezer door, and remove the door.



A. Screw

5. Replace The Freezer Door

Use a Phillips screwdriver to remove four screws on each side of the door and metal support, then remove the door and replace it with a new one.

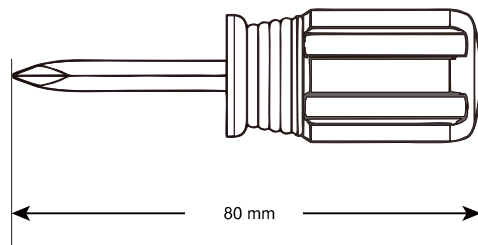
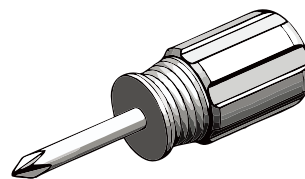


A. Screw

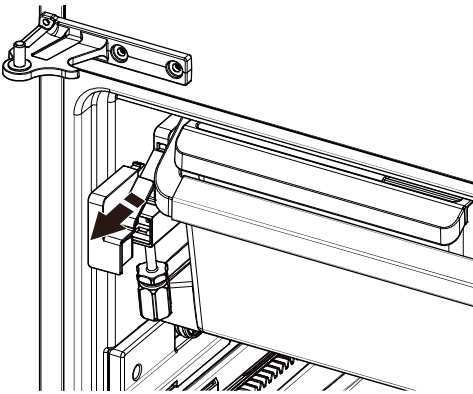
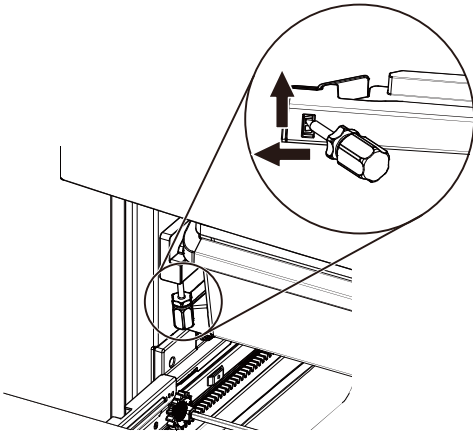
6. Remove The Freezer Top Drawer

NOTE: Remove the freezer top drawer only by after-sales service professionals.

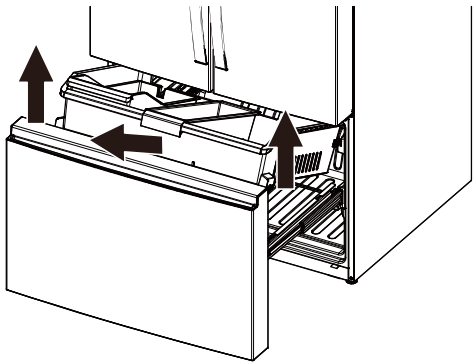
- Find a suitable Phillips screwdriver with a total length of less than 80mm.



- Put the head of the screwdriver into the buckle slot under the left stop gear, exert upward and outward forces on the buckle to release the buckle, and remove the left stop gear.



- Pull the top drawer out to the stop position and lift the drawer up and out.



Final Steps

⚠ WARNING



Electrical Shock Hazard

Plug into a grounded 3 prong outlet.

Do not remove ground prong.

Do not use an adapter.

Do not use an extension cord.

Failure to follow these instructions can result in death, fire, or electrical shock.

- Plug into an grounded (earthed) socket.
- Return all removable parts and food to the drawers.

Handle Installation and Removal

Parts Included:

Refrigerator door handles (2), 1/4" hex head socket wrenches (1), Instructions to install the handles in the doors (1).

Install Handles

NOTE: The handle kit is provided with instructions to install the handles in the doors. Please follow it carefully.

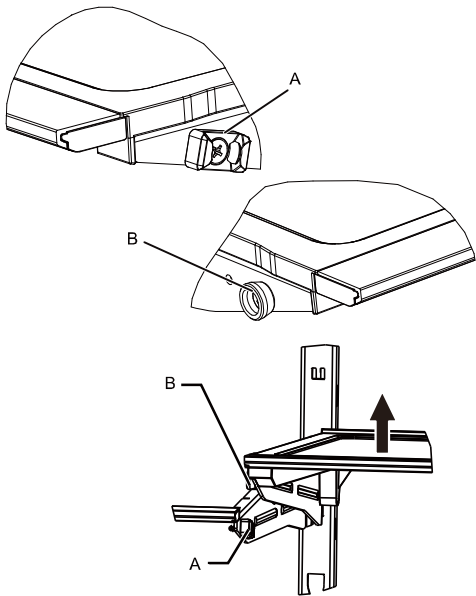
Shelves, Bins And Drawers

Shelves and Shelf Frames

The half shelves in your refrigerator are adjustable to match your individual storage needs. Storing similar food items together in your refrigerator and adjusting the shelves to fit different heights of items will make finding the exact item you want easier. It will also reduce the amount of time the refrigerator door is open, and save energy.

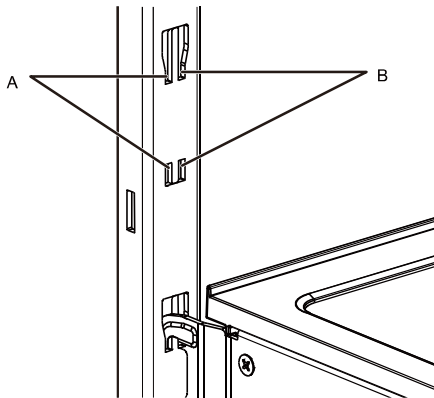
To remove and replace a half shelf with shelf frame:

1. Remove the shelf by holding the front edge of left half shelf, and tilt the right half shelf up until the left and right stopper is separated.

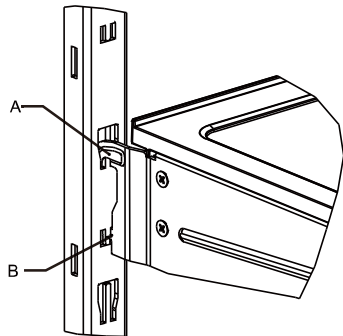


A. Left
B. Right Stopper

2. Uplift the whole shelf out of the shelf supports.
3. Replace the shelf by guiding the upper fixed leg into the shelf support. Tilt the front of the shelf up until upper fixed leg drop into the shelf supports.



A. Hole 1
B. Hole 2



A. Upper Fixed Leg
B. Lower Fixed Leg

NOTE: Hole 1 can only be used for left half shelf support, and Hole 2 can only be used for right half shelf support, if placed incorrectly, the shelf will be unstable and can not be used.

4. Lower the front of the shelf and make sure that the lower fixed leg is in position.

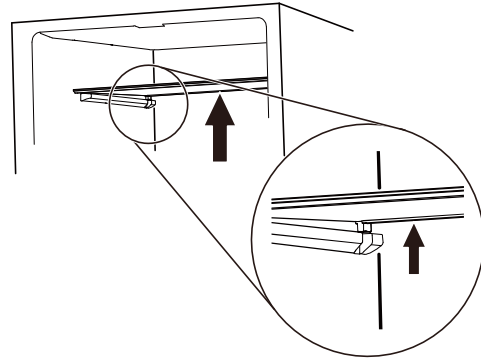
Full glass shelves

IMPORTANT:

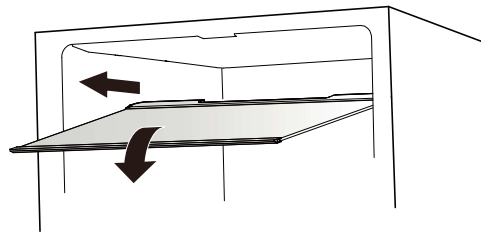
- Full glass shelf height are not adjustable.
- If you want to take out crisper glass cover, you need to remove the Refrigerator Doors first.

To remove and replace full glass shelf:

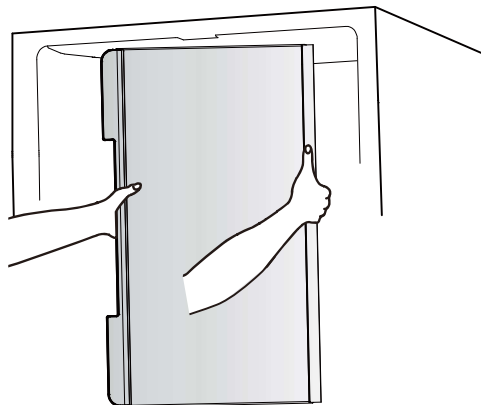
1. Hold the bottom of the glass shelf with hands and lift it up until the stopper at the rear of the shelf is free from the ribs.



2. Move the glass shelf forward and lower the front shelf down until the rear trim is out of supports.



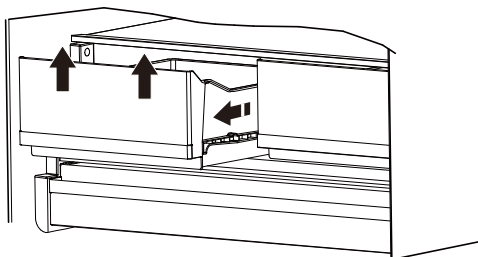
3. Take out the shelf, and be careful not to damage the refrigerator door.
4. If step 3 isn't easy to operate, rotate the glass shelf to the position shown in the figure, and then take it out.



Crisper Drawers

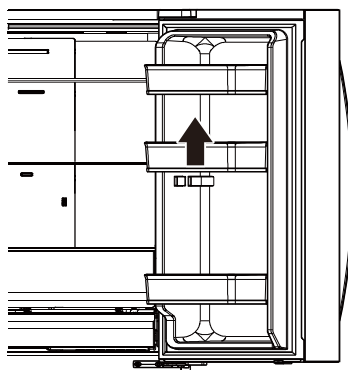
To remove and replace the drawers:

1. Grasp the handle at the bottom of the drawer and slide the drawer straight out to the stop. Lift the drawer off the bottom guide.
2. Replace the drawer by placing it on the bottom drawer guide and pushing it past the drawer stop into position.



Refrigerator Door Bins

The bins on your refrigerator door are adjustable to meet your individual storage needs. The bins make it easy to customize door storage to hold gallon containers.



Freezer Storage Compartments

- Use these drawers to freeze a bigger amount of fresh or cooked food (in the best or in the fastest way).
- Fast Freeze option allows you to store all your frozen food.

PERFORMANCE DATA SHEET

Water Filtration System

Model W11569863 (PID), W11569861 (Without PID)

Replacement element model numbers: EDRARXD1/EDRARXD1B/W11536439/WHRARXD1/WHRARXD1B/KADARXD1/KADARXD1B/MAYARXD1/MAYARXD1B/W11486187

Capacity 200 Gallons (757 Liters) with PID W11569863, 100 Gallons (379 Liters) without PID W11569861.



System tested and certified by NSF International against CSA B483.1, NSF/ANSI Standards 42, 53, and 401 for the reduction of the claims specified on the Performance Data Sheet below.

This system has been tested according to NSF/ANSI Standards 42, 53, 401, and CSA B483.1 for the reduction of the substances listed below. The concentration of the indicated substances in water entering the system was reduced to a concentration less than or equal to the permissible limit for water leaving the system, as specified in NSF/ANSI Standards 42, 53, 401, and CSA B483.1.

Substance Reduction	Influent Challenge Concentration	Reduction Requirements	Average % Reduction	Minimum % Reduction
Aesthetic Effects				
Chlorine Taste/Odor	2.0 mg/L ± 10%	≥ 50% reduction	99.39	99
Particulate Class I*	At least 10,000 particles/mL	≥ 85% reduction	99.52	99.33
Microplastics	At least 10,000 particles/mL	≥ 85% reduction	99.52	99.33
Contaminant Reduction	Influent Challenge Concentration	Reduction Requirements	Average % Reduction	Minimum % Reduction
Lead: @ pH 6.5 / @ pH 8.5	0.150 mg/L ± 10%	0.005 mg/L	99.29/99.84	99.07/99.46
Mercury: @ pH 6.5 / @ pH 8.5	0.006 mg/L ± 10%	0.002 mg/L	97.38/92.78	92.98/75.86
Asbestos	10 ⁷ to 10 ⁸ fibers/L ^{††}	≥ 99%	> 99.0	> 99.0
Cystst [†]	50,000/L minimum	≥ 99.95%	≥ 99.997	> 99.997
Atrazine	0.009 mg/L ± 10%	0.003 mg/L	> 98.98	> 98.95
Benzene	0.015 mg/L ± 10%	0.005 mg/L	> 99.28	> 99.17
Carbofuran	0.080 mg/L ± 10%	0.040 mg/L	83.93	58.7
Lindane	0.002 mg/L ± 10%	0.0002 mg/L	95.22	95
P-Dichlorobenzene	0.225 mg/L ± 10%	0.075 mg/L	99.95	99.95
Tetrachloroethylene	0.015 mg/L ± 10%	0.005 mg/L	99.33	99.29
Toxaphene	0.015 mg/L ± 10%	0.003 mg/L	99.27	99.17
O-Dichlorobenzene	1.8 mg/L ± 10%	0.6 mg/L	> 99.995	> 99.995
Toluene	3.0 mg/L ± 10%	1.0 mg/L	> 99.9	> 99.9
Styrene	2.0 mg/L ± 10%	0.1 mg/L	> 99.9	> 99.9
1,2,4-Trichlorobenzene	0.210 mg/L ± 10%	0.07 mg/L	> 99.55	> 99.42
Trichloroethylene	0.3 mg/L ± 30%	0.005 mg/L	> 99.8	> 99.8
Endrin	0.006 mg/L ± 10%	0.002 mg/L	92.32	83.93
Ethylbenzene	2.1 mg/L ± 10%	0.7 mg/L	> 99.99	> 99.99
2,4 - D	0.210 mg/L ± 10%	0.07 mg/L	98.89	94.76

Contaminant Reduction	Influent Challenge Concentration	Reduction Requirements	Average % Reduction	Minimum % Reduction
Turbidity	11 NTU ± 10%	0.5 NTU	98.88	98.17
Atenolol	200 ± 20%	30 ng/L	95.27	94.98
Carbamazepine	1400 ± 20%	200 ng/L	96.2	96.09
Linuron	140 ± 20%	20 ng/L	93.53	92.31
Meprobamate	400 ± 20%	60 ng/L	94.54	94.32
Trimethoprim	140 ± 20%	20 ng/L	96.27	95.94
DEET	1400 ± 20%	200 ng/L	96.32	96.21
Metolachlor	1400 ± 20%	200 ng/L	96.67	96.5
Bisphenol A	2000 ± 20%	300 ng/L	95.07	94.82
Estrone	140 ± 20%	20 ng/L	96.27	96.15
Nonylphenol	1400 ± 20%	200 ng/L	92.61	90.48
Naproxen	140 ± 20%	20 ng/L	96.09	95.83
Ibuprofen	400 ± 20%	60 ng/L	95.44	95.13
TCP	5000 ± 20%	700 ng/L	92.78	92.59
TCEP	5000 ± 20%	700 ng/L	96.62	96.55
Phenytoin	200 ± 20%	30 ng/L	95.6	95.12
VOC**	0.300 mg/L ± 10%	0.015 mg/L	> 99.58	> 96.21

Test Parameters: pH = 7.5 ± 0.5 unless otherwise noted. Flow = 0.52 GPM (1.97 LPM). Pressure = 60 psi (413.7 kPa). Temperature = 68°F to 71.6°F (20°C to 22°C). Rated service capacity = 200 gallons (757 liters) W11569863 with PID, 100 gallons (379 liters) W11569861 without PID.



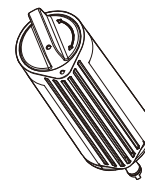
The compounds certified under NSF 401 have been deemed as “emerging compounds/incidental contaminants.” Emerging compounds/incidental contaminants compounds that have been detected in drinking water supplies at trace levels. While occurring at only trace levels, these compounds can affect the public acceptance/perception of drinking water quality.

- It is essential that operational, maintenance, and filter replacement requirements be carried out for the product to perform as advertised. Property damage can occur if all instructions are not followed.
- The disposable cartridge must be changed at least every 6 months. Spent adsorption media will not be regenerated and used.
- Use replacement EDRARXD1/B, WHRARXD1/B, KADARXD1/B, MAYARXD1/. 2025 suggested retail price of \$59.99 U.S.A./\$69.99 Canada. Prices are subject to change without notice. Available at www.everydropwater.com.
- The filter monitor system measures the amount of water that passes through the filter and alerts you when it is time to replace the filter. To learn how to check the water filter status, see “Using the Controls” or “Water Filtration System” in the User Instructions or User Guide.
- After changing the water filter, flush the water system. See “Water and Ice Dispensers” or “Water Dispenser” in the User Instructions or User Guide.
- These contaminants are not necessarily in your water supply. While testing was performed under standard laboratory conditions, actual performance may vary.
- The product is for cold water use only.
- The water system must be installed in compliance with state and local laws and regulations.
- Actual performance may vary as the testing was performed under standard laboratory conditions.
- Do not use with water that is microbiologically unsafe or of unknown quality without adequate disinfection before or after the system. Systems certified for cyst reduction may be used on disinfected waters that may contain filterable cysts. EPA Est. No. 85075-SG-001.
- Refer to the “Warranty” section (in the User Instructions or User Guide) for the Manufacturer’s limited warranty, name and telephone number.

Application Guidelines/Water Supply Parameters

Water Supply	Potable City or Well
Water Pressure	30 psi-120 psi (207 kPa-827 kPa)
Water Temperature	33°F-100°F (0.6°C-37.8°C)
Service Flow Rate	0.52 GPM (1.97 LPM) @ 60 psi (413.7 kPa)

- Your water filtration system will withstand up to 120 psi water pressure. If your water supply is higher than 80 psi, install a pressure reducing valve before installing the water filtration system.
- Conforms to NSF/ANSI 53 for VOC reduction. See Table below for individual contaminants and reduction performance.



*Class I particle size: > 0.5 um to > 1 um

**This VOC performance accounts for 39 contaminant removals based on VOC surrogate testing

†Based on the use of polystyrene microsphere

‡Fibers greater than 10 um in length

Performance data sheet reduction claims for organic chemicals included by surrogate testing

Substance	Influent challenge concentration (mg/L)	Maximum permissible product water concentration (mg/L)
alachlor	0.050	0.001
altrazine	0.100	0.003
benzene	0.081	0.001
carbofuran	0.190	0.001
carbon tetrachloride	0.078	0.0018
chlorobenzene	0.077	0.001
chloropicrin	0.015	0.0002
2,4-d	0.110	0.0017
dibromochloropropane (DBCP)	0.052	0.00002
o-dichlorobenzene	0.080	0.001
p-dichlorobenzene	0.040	0.001
1,2-dichloroethane	0.088	0.0048
1,1-dichloroethylene	0.083	0.001
cis-1,2-dichloroethylene	0.170	0.0005
trans-1,2-dichloroethylene	0.086	0.001
1,2-dichloropropane	0.080	0.001
cis- 1,3-dichloropropylene	0.079	0.001
dinoseb	0.170	0.002
endrin	0.053	0.00059
ethylbenzene	0.088	0.001
ethylene dibromide (EDB)	0.044	0.00002
haloacetonitriles (HAN)		
bromochloroacetonitrile	0.022	0.0005
dibromoacetonitrile	0.024	0.0006
dichloroacetonitrile	0.0096	0.0002
trichloroacetonitrile	0.015	0.0003
haloketones (HK)		
1,1-dichloro-2-propanone	0.0072	0.0001
1,1,1-trichloro-2-propanone	0.0082	0.0003
heptachor	0.025	0.00001
heptachor epoxide	0.0107	0.0002
hexachlorobutadiene	0.044	0.001
hexachlorocyclopentadiene	0.060	0.000002
lindane	0.055	0.00001
methoxychlor	0.050	0.0001
pentachlorophenol	0.096	0.001
simazine	0.120	0.004

styrene	0.150	0.0005
1,1,2,2-tetrachloroethane	0.081	0.001
tetrachloroethylene	0.081	0.001
toluene	0.078	0.001
2,4,5-TP (Silvex)	0.270	0.0016
tribromoacetic acid	0.042	0.001
1,2,4-trichlorobenzene	0.160	0.0005
1,1,1-trichloroethane	0.084	0.0046
1,1,2-trichloroethane	0.150	0.0005
trichloroethylene	0.180	0.0010
trihalomethanes (includes) chloroform (surrogate chemical) bromoform bromodichloromethane chlorodibromomethane	0.300	0.015
xylene (total)	0.070	0.001

Consumer Support **1-800-442-9991**
By Whirlpool Corporation
2000 North M63
Benton Harbor, MI 49022



SÉCURITÉ DU RÉFRIGÉRATEUR

Votre sécurité et celle des autres sont très importantes.

Nous donnons de nombreux messages de sécurité importants dans ce manuel et sur votre appareil. Assurez-vous de toujours lire tous les messages de sécurité et de vous y conformer.



Voici le symbole d'alerte de sécurité.

Ce symbole d'alerte de sécurité vous signale les dangers potentiels de décès et de blessures graves.

Tous les messages de sécurité suivront le symbole d'alerte de sécurité et le mot « DANGER » ou « AVERTISSEMENT ». Ces mots signifient :

▲ DANGER

Risque possible de décès ou de blessure grave si vous ne suivez pas immédiatement les instructions.

▲ AVERTISSEMENT

Risque possible de décès ou de blessure grave si vous ne suivez pas les instructions.

Tous les messages de sécurité vous diront quel est le danger potentiel, comment réduire le risque de blessure et ce qui peut se produire en cas de non-respect des instructions.

IMPORTANTES INSTRUCTIONS DE SÉCURITÉ

AVERTISSEMENT : Afin de réduire le risque d'incendie, de décharge électrique ou de blessures lors de l'utilisation de l'appareil, il convient d'observer certaines précautions fondamentales, notamment :

- Les enfants doivent être surveillés afin de s'assurer qu'ils ne jouent pas avec l'appareil.
- Cet appareil ne convient pas à une utilisation par des personnes (y compris des enfants) à capacités physiques, sensorielles ou mentales réduites, ou possédant un manque d'expérience et de connaissances, à moins qu'elles ne soient placées sous supervision ou qu'elles aient reçu des instructions concernant l'utilisation de l'appareil par une personne responsable de leur sécurité.
- Ne pas utiliser de rallonge.
- Si le cordon d'alimentation est endommagé, il doit être remplacé par le fabricant, son agent de réparation ou toute autre personne qualifiée afin d'éviter tout danger.
- Brancher sur une alimentation en eau potable uniquement.
- Cet appareil est destiné à un usage domestique et à d'autres usages similaires comme : coins cuisine réservés au personnel des boutiques, des bureaux et d'autres environnements professionnels; maisons d'hôtes, ainsi que par les clients d'hôtel, de motels et d'autres installations d'hébergement; gîtes touristiques; et banquets et autres utilisations non commerciales semblables.
- Ne pas entreposer de substances explosives comme des aérosols avec agent propulseur inflammable dans cet appareil.
- Utiliser le nouvel ensemble de tuyaux fournis avec l'appareil, ne pas réutiliser les anciens tuyaux.
- Ne pas utiliser de pièces de remplacement qui n'ont pas été recommandées par le fabricant (c.-à-d., pièces fabriquées à la maison à l'aide d'une imprimante 3D).
- Garder les événements à l'intérieur de l'enceinte de l'appareil ou de la structure encastrée exempte d'obstacles.
- Ne pas utiliser des appareils mécaniques ou autres moyens pour accélérer le processus de dégivrage, autre que ceux recommandés par le fabricant.
- Ne pas endommager le circuit réfrigérant.
- Ne pas utiliser des appareils électriques à l'intérieur des compartiments d'aliments de l'appareil, à moins qu'ils soient de type recommandé par le fabricant.
- L'ensemble pour machine à glaçons peut être ajouté à certains modèles. Consulter la plaque signalétique située à l'intérieur du compartiment pour les aliments de l'appareil pour obtenir les informations concernant le modèle d'ensemble pour machine à glaçons.
- L'installation de la conduite d'eau et de la machine à glaçons doit être effectuée par un technicien de service qualifié. Consulter les instructions d'installation fournies avec l'ensemble pour machine à glaçons pour tous les détails.
- Lors du positionnement de l'appareil, s'assurer que le cordon d'alimentation n'est pas coincé ou endommagé.
- Ne pas installer un parasurtenseur ou un bloc d'alimentation portatif derrière l'appareil.

CONSERVER CES INSTRUCTIONS

Mise au rebut du vieux réfrigérateur

AVERTISSEMENT : Un enfant peut rester piégé. Avant de jeter votre vieux réfrigérateur ou congélateur :

- Enlever les portes.
- Laisser les tablettes en place de sorte que les enfants ne puissent pas y pénétrer facilement.

⚠ AVERTISSEMENT

Risque de suffoquer

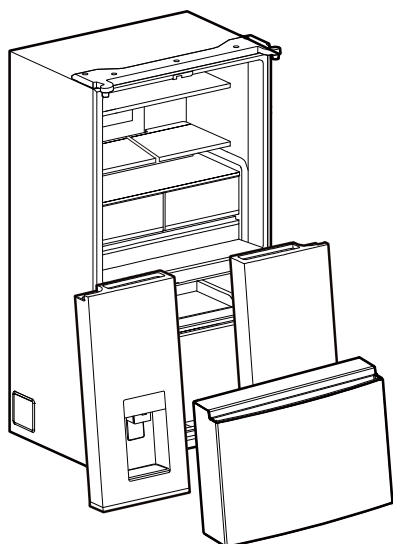
Enlever les portes ou le couvercle de votre vieil appareil.

Le non-respect de cette instruction peut causer un décès ou des lésions cérébrales.

IMPORTANT : Le risque qu'un enfant puisse se retrouver coincé et suffoquer n'est pas chose du passé. Les réfrigérateurs et congélateurs jetés ou abandonnés sont toujours dangereux, même s'ils ne restent à l'extérieur que pour « quelques jours seulement ». Si vous vous débarrassez de votre vieux réfrigérateur ou congélateur, veuillez suivre les instructions suivantes pour aider à éviter les accidents.

Informations importantes à connaître pour l'élimination du liquide réfrigérant :

Jeter le réfrigérateur conformément aux règlements fédéraux et locaux. Les liquides réfrigérants doivent être évacués par un technicien en réfrigération accrédité EPA, conformément aux procédures établies.



ENTRETIEN DU RÉFRIGÉRATEUR

Nettoyage

⚠ AVERTISSEMENT



Risque d'explosion

Risque d'incendie ou d'explosion.

Fluide frigorigène inflammable utilisé.

Ne pas utiliser d'appareils mécaniques pour dégivrer le réfrigérateur.

Ne pas perforer la tubulure de réfrigération.

Les sections de réfrigération et de congélation se dégivrent automatiquement. Toutefois, nettoyer les deux compartiments environ une fois par mois afin d'éviter toute accumulation d'odeurs. Essuyer immédiatement les renversements.

IMPORTANT :

- Comme l'air circule entre toutes les sections, toutes les odeurs formées dans une section seront transférées à l'autre. Toutes les sections doivent être nettoyées avec soin pour éliminer les odeurs. Pour éviter le transfert d'odeurs et l'assèchement des aliments, envelopper ou recouvrir hermétiquement les aliments.
- Ne pas utiliser de nettoyeurs puissants ou abrasifs tels que les nettoyeurs à vitre en atomiseurs, nettoyeurs à récurer, liquides inflammables, acide chlorhydrique, cires nettoyantes, détergents concentrés, agents de blanchiment ou nettoyeurs contenant du pétrole sur les portes et la caisse de l'appareil, pièces en plastique, les garnitures intérieures et garnitures de portes ou sur les joints de portes. Ne pas utiliser d'essuie-tout, de tampons à récurer ou un autre outil de nettoyage abrasif.
- Pour les modèles en acier inoxydable, l'acier inoxydable est résistant à la corrosion, mais non anticorrosion. Afin d'éviter l'oxydation de l'acier inoxydable, veiller à ce que les surfaces restent propres en suivant les instructions de nettoyage suivantes.

Nettoyage de l'écran tactile :

1. Pour éviter de modifier involontairement les réglages, s'assurer que le réfrigérateur est débranché ou que le courant électrique est déconnecté avant d'essuyer l'écran.
2. Préparer un mélange avec du détergent doux et de l'eau tiède. Humecter un chiffon doux sans charpie du mélange et essuyer doucement l'écran.
REMARQUE : Ne pas vaporiser ni essuyer de liquides directement sur l'écran, et ne pas saturer le chiffon de produit.
3. Brancher le réfrigérateur ou reconnecter la source de courant électrique.

Nettoyage de l'intérieur

IMPORTANT : Les tablettes du réfrigérateur équipées d'éclairage DEL par en dessous ne sont pas lavables au lave-vaisselle.

1. Débrancher le réfrigérateur ou déconnecter la source de courant électrique.
2. Laver à la main, rincer et sécher les pièces amovibles et les surfaces internes soigneusement. Utiliser une éponge propre ou un linge doux et un détergent doux dans de l'eau tiède.
3. Brancher le réfrigérateur ou reconnecter la source de courant électrique.

Nettoyage de l'extérieur

IMPORTANT : Les dommages au revêtement lisse en raison d'un mauvais usage des produits nettoyants ou de l'utilisation de produits nettoyants non recommandés ne sont pas couverts par la garantie. Des instruments aiguisés ou coupants dépareraient le revêtement.

1. Débrancher le réfrigérateur ou déconnecter la source de courant électrique.
2. À l'aide d'une éponge propre ou d'un chiffon doux et d'un détergent doux dans de l'eau tiède, laver, rincer et sécher soigneusement les pièces extérieures en acier inoxydable et surfaces métalliques peintes. Pour que votre réfrigérateur en acier inoxydable conserve son aspect neuf et pour enlever les petites égratignures ou marques, il est suggéré d'utiliser le nettoyant et poli pour acier inoxydable approuvé par le fabricant. Ce nettoyant doit être utilisé sur les pièces en acier inoxydable uniquement. Consulter le Guide de démarrage rapide pour les informations de commande.

REMARQUE : Lors du nettoyage de l'acier inoxydable, toujours frotter dans le sens du grain afin d'éviter d'érafler la surface.

Veiller à ce que le nettoyant et poli pour acier inoxydable n'entre pas en contact avec les pièces de plastique comme les garnitures, couvercles de distributeurs ou joints de porte. En cas de contact non intentionnel, nettoyer la pièce de plastique avec une éponge et un détergent doux dans de l'eau tiède. Sécher soigneusement au moyen d'un chiffon doux.

3. Brancher le réfrigérateur ou reconnecter la source de courant électrique.

Consulter les instructions de nettoyage extérieur relatives à votre modèle.

Style 1 : Porte lisse/métal peint

UTILISER	NE PAS UTILISER
<ul style="list-style-type: none"> ■ Chiffon doux et propre 	<ul style="list-style-type: none"> ■ Chiffons abrasifs ■ Essuie-tout ou papier journal ■ Tampons de laine d'acier
<ul style="list-style-type: none"> ■ Eau tiède et savonneuse avec détergent doux 	<ul style="list-style-type: none"> ■ Poudres ou liquides abrasifs ■ Nettoyants à vitre en vaporisateur ■ Ammoniaque ■ Nettoyants acides ou à base de vinaigre ■ Nettoyants à four ■ Fluides inflammables

REMARQUE : Les essuie-tout peuvent érafler et ternir le revêtement transparent de la porte peinte. Afin d'éviter tout dommage éventuel, utiliser des chiffons en tissu doux pour polir et essuyer la porte.

Style 2 : Acier inoxydable

UTILISER	NE PAS UTILISER
<ul style="list-style-type: none"> ■ Chiffon doux et propre 	<ul style="list-style-type: none"> ■ Chiffons abrasifs ■ Essuie-tout ou papier journal ■ Tampons de laine d'acier
<ul style="list-style-type: none"> ■ Eau tiède et savonneuse avec détergent doux 	<ul style="list-style-type: none"> ■ Poudres ou liquides abrasifs ■ Ammoniaque ■ Nettoyants à base d'agrumes ■ Nettoyants acides ou à base de vinaigre ■ Nettoyants à four
<ul style="list-style-type: none"> ■ Pour les saletés importantes, utiliser seulement le nettoyant et poli pour acier inoxydable approuvé par le fabricant 	<ul style="list-style-type: none"> ■ Poudres ou liquides abrasifs ■ Ammoniaque ■ Nettoyants à base d'agrumes ■ Nettoyants acides ou à base de vinaigre ■ Nettoyants à four ■ Chiffons abrasifs ■ Essuie-tout ou papier journal ■ Tampons de laine d'acier

REMARQUE :

- En cas de contact non intentionnel, nettoyer la pièce de plastique avec une éponge et un détergent doux dans de l'eau tiède. Sécher soigneusement au moyen d'un chiffon doux.
- Ne pas exposer les électroménagers en acier inoxydable à des éléments caustiques ou corrosifs tels que le sel, un niveau élevé d'humidité ou des environnements très humides. Les dommages causés par l'exposition à de tels éléments ne sont pas couverts par la garantie.
- Un nettoyant sous forme liquide ne signifie pas forcément qu'il n'est pas abrasif. Beaucoup de nettoyants liquides formulés pour nettoyer le carrelage et autres surfaces lisses en douceur peuvent tout de même endommager l'acier inoxydable.
- Lors du nettoyage de l'acier inoxydable, toujours frotter dans le sens du grain afin d'éviter d'érafler la surface.
- L'acide citrique décolore l'acier inoxydable de façon définitive. Afin d'éviter d'endommager le fini en acier inoxydable du réfrigérateur :

Ne pas laisser les produits suivants pendant une durée prolongée sur le revêtement :

- Moutarde
- Jus de tomates
- Sauce marinara
- Sauces à base d'agrumes
- Produits à base d'agrumes

Nettoyage du condensateur

⚠ AVERTISSEMENT



Risque d'explosion

Risque d'incendie ou d'explosion causé par la perforation de la tubulure de réfrigération;

suivre avec attention les instructions de manipulation.

Fluide frigorigène inflammable utilisé.

Le condensateur n'a pas besoin d'être nettoyé souvent dans des conditions de fonctionnement domestique normales. Si l'environnement est particulièrement gras, poussiéreux, ou s'il y a des animaux domestiques dans la maison, le condensateur devrait être nettoyé tous les 6 mois pour assurer une efficacité maximale.

1. Débrancher le réfrigérateur ou déconnecter la source de courant électrique.
2. Retirer la grille de la base.
3. Utiliser un aspirateur à brosse douce pour nettoyer la grille, les endroits ouverts derrière la grille et la surface à l'avant du condensateur.
4. Replacer la grille de la base après avoir terminé.
5. Brancher le réfrigérateur ou reconnecter la source de courant électrique.

REMARQUE : Communiquer avec le service s'il est impossible de nettoyer le condensateur.

Remplacer l'ampoule d'éclairage

IMPORTANT : Les lampes des compartiments de réfrigération et de congélation utilisent la technologie DEL. Si les lampes ne s'allument pas lorsqu'on ouvre la porte, appeler les numéros fournis pour obtenir de l'aide ou un dépannage. Consulter le « Guide de démarrage rapide » pour les coordonnées.

Le système d'éclairage pour cet appareil peut comprendre :

- Modules à DEL scellés
- Ampoule à DEL
- Ampoules incandescentes
- Ou une combinaison des options précédentes.

Tablettes du réfrigérateur

Informations importantes à propos des tablettes et des couvercles en verre :

Ne pas nettoyer les tablettes ou les couvercles de verre avec de l'eau tiède lorsqu'ils sont froids. Les tablettes et couvercles peuvent se briser s'ils sont exposés à un changement de températures ou impact soudain, tel qu'une chute. Le verre trempé est conçu pour se briser en de multiples petits morceaux de la taille de gravillons. Ceci est normal. Les tablettes en verre et les couvercles sont lourds. Employer les deux mains lorsqu'on les retire afin d'éviter de les faire tomber.

Les tablettes de réfrigérateur sont réglables pour s'adapter aux besoins de rangement de l'utilisateur.

Afin de pouvoir trouver plus facilement l'article recherché, on peut remiser ensemble des aliments semblables dans le réfrigérateur et ajuster les tablettes pour les adapter aux différentes tailles d'articles. Ceci réduira également la durée d'ouverture de la porte du réfrigérateur et permettra d'économiser de l'énergie.

Tablettes en verre

Retirer une tablette :

1. Retirer les articles de la tablette.
2. Retirer la tablette en la faisant glisser tout droit jusqu'à la butée.
3. Selon le modèle, soulever l'arrière ou l'avant de la tablette et la retirer au-delà de la butée. Retirer complètement la tablette.

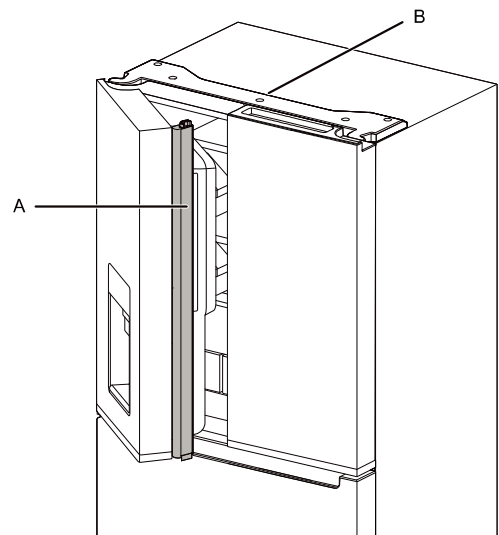
Ouverture et fermeture des portes

Il y a deux portes pour le compartiment de réfrigération. Les portes peuvent être ouvertes et fermées séparément ou ensemble.

Il y a sur la porte de gauche du réfrigérateur un joint à charnière verticale.

- Lors de l'ouverture de la porte du côté gauche, le joint à charnière se replie automatiquement vers l'intérieur pour qu'il n'y ait pas d'interférence.
- Lorsque les deux portes sont fermées, le joint à charnière assure automatiquement l'étanchéité entre les deux portes.

REMARQUE : Le joint à charnière devrait être à la bonne position (plié vers l'intérieur) lorsque la porte est fermée. Si ce n'est pas le cas, il frappera la porte de droite ou l'axe de fixation.



A. Joint à charnière
B. Couvercle-charnière

Le commutateur de la porte du réfrigérateur est situé dans le coin supérieur gauche et le couvercle de la charnière de droite.

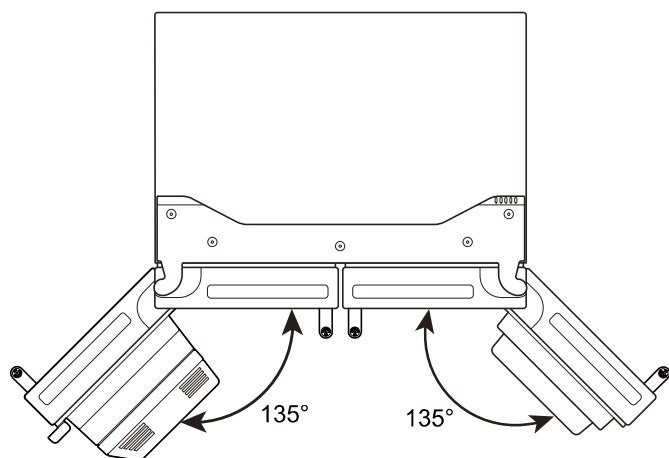
- Pour l'espace congélateur, le contacteur de la porte est situé dans le support en bas à gauche.
- Le commutateur de porte utilise un aimant pour capter l'ouverture et la fermeture de la porte.
- S'assurer qu'aucun aimant ou appareil électronique (enceinte) ne se trouve à moins de 3 po du couvercle-charnière.

REMARQUE : L'éclairage et l'interface utilisateur (IU) intérieure ne se mettent pas en marche s'il n'y a pas de détection d'ouverture de porte.

Ajustement de la hauteur de la moitié de tablette

La hauteur de la moitié de tablette peut être ajustée en changeant sa position, des supports du bas aux supports du haut ou inversement.

- Ouvrir complètement les portes de gauche et de droite de 135°.
- Voir la section « Tablettes, balconnets et tiroirs » pour obtenir plus de détails.



Distributeur de glaçons (sur certains modèles)

IMPORTANT :

- Des glaçons creux ou dont la forme est irrégulière peuvent être causés par une faible pression d'eau. Voir la section « Spécifications de l'alimentation en eau ».
- Les glaçons passent du bac d'entreposage à glaçons au distributeur par le goulet du distributeur. Pour éteindre la machine à glaçons, consulter la section « Machine à glaçons et bac d'entreposage ».
- Il est possible que le distributeur continue à faire du bruit et à distribuer des glaçons pendant plusieurs secondes après avoir relâché le bouton ou la plaque du distributeur.

Nettoyage du goulot du distributeur à glaçons :

L'humidité entraîne l'agglomération des glaçons. Des particules de glace peuvent s'accumuler et obstruer le goulot du distributeur à glaçons.

Si on n'a pas besoin de distribuer des glaçons régulièrement, il peut s'avérer nécessaire de vider le bac d'entreposage à glaçons et de nettoyer à la fois le goulot de distribution des glaçons, le bac d'entreposage à glaçons et la zone située sous le bac d'entreposage toutes les 2 semaines.

- Si nécessaire, retirer les glaçons obstruant le bac d'entreposage et le goulot de distribution des glaçons à l'aide d'un ustensile en plastique.
- Nettoyer le goulot de distribution des glaçons et le fond du bac d'entreposage à glaçons à l'aide d'un chiffon tiède et humide, puis sécher soigneusement ces deux sections.

Distribution de glaçons – plaque de distribution

⚠ AVERTISSEMENT



Risque de coupure

Utiliser un verre robuste pour la distribution de glaçons.
Le non-respect de cette instruction peut causer des coupures.

1. Sélectionner le type de glace désiré en appuyant sur CUBED ICE (GLAÇONS) ou CRISHED ICE (GLACE CONCASSÉE).
2. Appuyer un verre robuste contre la plaque de distribution. Tenir le verre près de l'ouverture du distributeur pour que les glaçons ne tombent pas à côté du verre.
IMPORTANT : Il n'est pas nécessaire d'exercer une pression importante sur la plaque pour activer le distributeur de glaçons. Une pression forte ne donne pas une distribution plus rapide de glaçons ou des quantités plus grandes.
3. Retirer le verre pour arrêter la distribution.
REMARQUE : La distribution de glaçons peut se poursuivre pendant plusieurs secondes après que le verre a été retiré de la plaque du distributeur. Le distributeur peut continuer à faire du bruit pendant quelques secondes après la distribution.

Lampe de distributeur (sur certains modèles)

- Lorsqu'on utilise le distributeur, l'éclairage s'allume automatiquement.

Précautions à prendre avant les vacances ou le déménagement

Vacances

Si le réfrigérateur est laissé en marche pendant une absence :

1. Consommer toutes les denrées périssables et congeler les autres articles.
2. Appuyer sur le bouton Mode et choisir le mode Vacation (Vacances).
3. Si le réfrigérateur comporte une machine à glaçons automatique et qu'il est raccordé à la source d'approvisionnement en eau du domicile, fermer la source d'approvisionnement en eau du réfrigérateur. Des dommages matériels peuvent survenir si l'alimentation en eau n'est pas coupée.
4. Si votre machine à glaçons est automatique, éteindre la machine à glaçons.
 - Appuyez sur la machine à glaçons pour la désactiver.
5. Vider le bac à glaçons.

INSTRUCTIONS D'INSTALLATION

Pour commencer

Liste de contrôle – Installation

Portes

- Si les portes doivent être retirées lors de l'installation, se reporter aux sections « Retirer et replacer les portes » et « Retirer et replacer l'avant de la porte du congélateur ».
- Les portes ferment complètement hermétiquement.
- Ajuster les pieds de nivellement de façon à ce qu'ils soient en contact avec le plancher.
- Les portes sont alignées à leurs rives supérieures. (Utiliser la fonction d'ajustement de la porte au besoin.)

Dernières vérifications

- Retirer tout l'emballage d'expédition.
- Régler les commandes de température aux réglages recommandés.
- Conserver les instructions et autres documents éventuels.

Pour recevoir une assistance plus complète, enregistrer votre produit et consulter le Guide de démarrage rapide pour obtenir plus d'informations.

Si l'utilisateur choisit d'arrêter le réfrigérateur avant son absence :

1. Enlever tous les aliments du réfrigérateur.
2. Si le réfrigérateur est équipé d'une machine à glaçons automatique :
 - Fermer l'approvisionnement en eau de la machine à glaçons au moins un jour à l'avance.
 - Lorsque les derniers glaçons tombent, placer le commutateur de la machine à glaçons ou des commandes de l'UI sur OFF (ARRÊT), selon le modèle.
3. Vider le bac à glaçons.
4. Nettoyer le réfrigérateur, l'essuyer et bien le sécher.
5. À l'aide d'un ruban adhésif, placer des blocs de caoutchouc ou de bois dans la partie supérieure de chaque porte de façon à ce qu'elles soient suffisamment ouvertes pour permettre à l'air d'entrer et d'éviter l'accumulation d'odeur ou de moisissure.

REMARQUE : En mode vacances, les distributeurs d'eau et de glaçons ne fonctionnent pas.

Déménagement

En cas de déménagement et de déplacement du réfrigérateur dans une nouvelle habitation, suivre ces étapes pour préparer le déménagement.

1. Si le réfrigérateur est équipé d'une machine à glaçons automatique :
 - Fermer l'approvisionnement en eau de la machine à glaçons au moins un jour à l'avance.
 - Débrancher la canalisation d'eau de l'arrière du réfrigérateur.
 - Lorsque les derniers glaçons tombent, placer le commutateur de la machine à glaçons ou des commandes de l'UI sur OFF (ARRÊT), selon le modèle.
2. Retirer tous les aliments du réfrigérateur et placer tous les aliments congelés dans de la neige carbonique.
3. Vider le bac à glaçons.
4. Débrancher le réfrigérateur.
5. Bien nettoyer, essuyer et sécher.
6. Retirer toutes les pièces amovibles, bien les envelopper et les attacher ensemble avec du ruban adhésif pour qu'elles ne bougent et ne s'entrechoquent pas durant le déménagement.
7. Selon le modèle, soulever l'avant du réfrigérateur pour qu'il roule plus facilement ou soulever les pieds de nivellement pour qu'ils n'égratignent pas le plancher. Voir « Mise à niveau et alignement des portes ».
8. Fermer les portes à l'aide de ruban adhésif et fixer le cordon d'alimentation à la partie arrière du réfrigérateur.

Une fois arrivé à votre nouveau domicile, remettre tout en place et consulter la section des « Instructions d'installation » pour des instructions sur la préparation de l'appareil. Aussi, si le réfrigérateur comporte une machine à glaçons automatique, ne pas oublier de rebrancher l'approvisionnement en eau au réfrigérateur.

Déballage du réfrigérateur

⚠ AVERTISSEMENT

Risque de poids excessif

Utiliser deux personnes ou plus pour déplacer et installer l'appareil.

Le non-respect de cette instruction peut causer une blessure au dos ou d'autres blessures.

Livraison du réfrigérateur

- Une ouverture de porte minimum de 33 po (838 mm) est nécessaire. Si l'ouverture est inférieure ou égale à 36 po (914 mm), il faudra enlever les portes, tiroirs et charnières.
- Pousser le chariot avec le réfrigérateur de côté pour toutes les ouvertures de porte.

Retrait des matériaux d'emballage

- Enlever tout résidu de ruban adhésif et de colle des surfaces avant de mettre en marche votre tiroir de réfrigération. Frotter une petite quantité de savon liquide à vaisselle sur l'adhésif avec les doigts. Rincer à l'eau tiède et sécher.
- Ne pas utiliser d'instruments coupants, d'alcool à friction, de liquides inflammables ou de nettoyants abrasifs pour enlever le ruban adhésif ou la colle. Ces produits peuvent endommager la surface du réfrigérateur. Pour plus de renseignements, voir la section « Sécurité du réfrigérateur ».
- Éliminer/recycler tous les matériaux d'emballage.

Lors du déplacement du réfrigérateur :

Ce réfrigérateur est lourd. Lors du déplacement de ce réfrigérateur pour un nettoyage ou un entretien, veiller à recouvrir le plancher d'un carton ou panneau de fibre dur pour éviter de l'endommager. Toujours tirer le réfrigérateur tout droit lors du déplacement. Ne pas incliner le réfrigérateur d'un côté ou de l'autre ni le « faire marcher » en essayant de le déplacer, car le sol pourrait être endommagé.

Nettoyage avant utilisation

Après avoir enlevé tous les matériaux d'emballage, nettoyer l'intérieur du réfrigérateur avant de l'utiliser. Voir les instructions de nettoyage dans la section « Entretien du réfrigérateur ».

Informations importantes à propos des tablettes et des couvercles en verre :

Ne pas nettoyer les tablettes ou les couvercles de verre avec de l'eau tiède lorsqu'ils sont froids. Les tablettes et couvercles peuvent se briser s'ils sont exposés à un changement de températures ou impact soudain, tel qu'une chute. Le verre trempé est conçu pour se briser en de multiples petits morceaux de la taille de gravillons. Ceci est normal. Les tablettes en verre et les couvercles sont lourds. Employer les deux mains lorsqu'on les retire afin d'éviter de les faire tomber.

Exigences d'emplacement

⚠ AVERTISSEMENT



Risque d'explosion

Garder les matières et les vapeurs inflammables, telles que l'essence, à l'écart de l'appareil.

Utiliser un produit de nettoyage ininflammable.

Le non-respect de ces instructions peut causer un décès, une explosion ou un incendie.

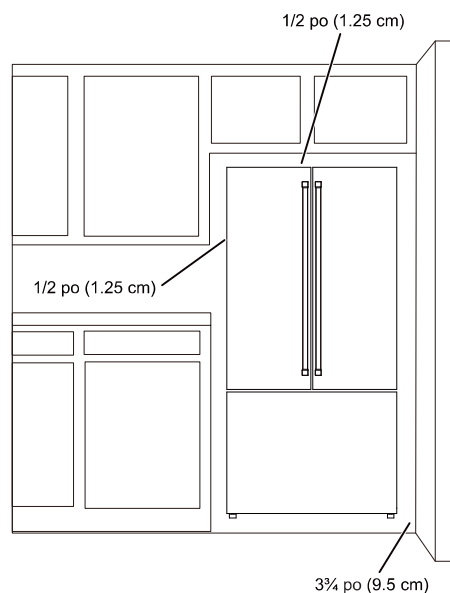
IMPORTANT : Cet appareil est destiné à un usage domestique à l'intérieur et à d'autres usages similaires comme :

- résidences fermières et utilisation par les clients d'hôtels, de motels et d'autres types de résidences;
- Environnements de type chambres d'hôtes;
- Banquets et autres utilisations non commerciales semblables.

REMARQUE : Si le fabricant souhaite réduire l'utilisation de l'appareil à des valeurs inférieures à ce qui est mentionné ci-dessus, la mention doit être clairement indiquée dans les instructions.

Pour obtenir une aération appropriée pour le réfrigérateur, laisser un espace de 1/2 po (1,25 cm) de chaque côté et 1/2 po (1,25 cm) au sommet. Laisser un espace de 2 po (5 cm) derrière le réfrigérateur. Si le réfrigérateur comporte une machine à glaçons, s'assurer qu'un espace additionnel est prévu à l'arrière pour permettre les raccordements des conduits d'eau. En cas d'installation du réfrigérateur près d'un mur fixe, laisser un minimum de 3 3/4 po (9,5 cm) entre le réfrigérateur et le mur pour permettre à la porte de s'ouvrir sans obstruction.

REMARQUE : Ce réfrigérateur est conçu pour être utilisé dans un endroit où la température est comprise entre un minimum de 50 °F (10 °C) et un maximum de 110 °F (43 °C). La plage de température ambiante idéale pour un rendement optimal est comprise entre 60 °F (15 °C) et 90 °F (32 °C). Respecter cette plage de température permet aussi de réduire la consommation d'électricité et d'optimiser l'efficacité du refroidissement. Il est recommandé de ne pas installer le réfrigérateur près d'une source de chaleur comme un four ou un radiateur.



Spécifications électriques

⚠ AVERTISSEMENT



Risque de décharge électrique

Brancher l'appareil sur une prise à 3 alvéoles reliée à la terre.

Ne pas enlever la prise de liaison à la terre.

Ne pas utiliser d'adaptateur.

Ne pas utiliser de rallonge.

Le non-respect de ces instructions peut causer un décès, un incendie ou une décharge électrique.

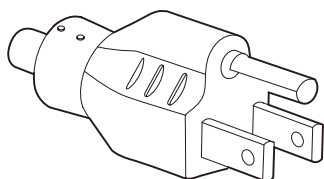
IMPORTANT : L'installation et le raccordement électrique doivent être réalisés par un technicien qualifié, conformément aux instructions du fabricant et aux règlements de sécurité locaux.

- Le réfrigérateur est conçu pour fonctionner sur un circuit séparé de 115 V, 60 Hz.
- S'assurer que la tension indiquée sur la plaque signalétique correspond à celle de votre domicile.
- Il doit être possible de couper l'alimentation électrique de l'appareil en débranchant sa prise ou au moyen d'un interrupteur bipolaire monté en amont de la prise secteur.
- Si le cordon d'alimentation est endommagé, il doit être remplacé par le fabricant, son agent de réparation ou toute autre personne qualifiée afin d'éviter tout danger.
- Ne pas utiliser un cordon craquelé ou qui présente des dommages d'abrasion sur la gaine, la fiche ou le connecteur.

Avant de placer le réfrigérateur à son emplacement final, il est important de s'assurer d'avoir la connexion électrique appropriée.

Méthode recommandée de liaison à la terre

Un circuit de 115 V CA à 60 Hz relié à la terre et protégé par un fusible de 15 A ou 20 A est requis. On recommande que le réfrigérateur et les accessoires approuvés soient alimentés par un circuit indépendant. Utiliser une prise de courant dont l'alimentation ne peut pas être interrompue par un interrupteur. Ne pas utiliser de rallonge.



Type B

IMPORTANT : ce produit est connecté à une prise protégée par un disjoncteur de fuite à la terre, un déclenchement intempestif peut se produire et causer une perte de refroidissement. La qualité et la saveur des aliments risquent d'être affectées. Si un déclenchement intempestif se produit et si les aliments semblent de piètre qualité, jeter les aliments.

REMARQUE : Avant d'installer, de nettoyer un quelconque élément, de remplacer une ampoule d'éclairage, désactiver le refroidissement ou placer la commande (du thermostat, réfrigérateur ou congélateur selon le modèle) à Off (arrêt). Sur les modèles avec commande de température numérique, appuyer sur le symbole moins jusqu'à ce qu'un tiret (–) apparaisse sur l'affichage du réfrigérateur et du congélateur. Déconnecter le réfrigérateur de la source de courant électrique. Lorsque vous avez terminé, reconnecter le réfrigérateur à la source d'alimentation électrique et réactiver le refroidissement ou replacer la commande (du thermostat, réfrigérateur ou congélateur selon le modèle) au réglage désiré. Voir le « Guide de démarrage rapide ».

Spécifications de l'alimentation en eau

Rassembler les outils et pièces nécessaires avant d'entreprendre l'installation. Lire et observer les instructions fournies avec chacun des outils de la liste ci-dessous.

Outils requis :

- Tournevis à tête plate
- Tourne-écrou de 1/4 po
- Clés plates de 7/16 po et 1/2 po
- Foret de 1/4 po ou deux clés à molette
- Perceuse sans fil
- Brancher sur une alimentation en eau potable uniquement. Ne pas utiliser ce produit pour filtrer une eau microbiologiquement polluée ou de qualité inconnue en l'absence d'un dispositif de désinfection adéquat en amont ou en aval du système. Les systèmes certifiés pour la réduction des kystes peuvent être utilisés pour une eau désinfectée susceptible de contenir des kystes filtrables.
- Toutes les installations doivent être conformes aux exigences des codes locaux de plomberie.
- Ne pas employer de robinet d'arrêt à étrier de 3/16 po (4,76 mm) ou de type à percer, ils réduisent le débit d'eau et s'obstruent plus facilement.
- Utiliser un tuyau en cuivre ou en polyéthylène réticulé et vérifier qu'il n'y a pas de fuite. Installer seulement des tuyaux en cuivre ou en polyéthylène réticulé là où les températures resteront au-dessus du point de congélation.
- Pour les modèles avec filtre à eau, le filtre à eau jetable doit être remplacé au moins tous les 6 mois.

Pression d'eau

Une alimentation en eau froide avec une pression entre 20 lb/po² et 120 lb/po² (138 kPa à 827 kPa) est nécessaire pour faire fonctionner le distributeur d'eau et la machine à glaçons. Pour toute question au sujet de la pression de l'eau, faire appel à un plombier qualifié agréé.

REMARQUE : Si la pression en eau est inférieure aux critères minimaux, le débit du distributeur d'eau pourrait diminuer ou entraîner la formation de glaçons creux ou de forme irrégulière.

Alimentation en eau par osmose inverse

IMPORTANT : La pression de l'alimentation en eau entre le système d'osmose inverse et le robinet d'arrivée d'eau du réfrigérateur doit être entre 20 lb/po² et 120 lb/po² (138 kPa à 827 kPa).

Si un système de filtration de l'eau par osmose inverse est raccordé à votre alimentation en eau froide, la pression de l'eau au système doit être d'un minimum de 40 lb/po² à 60 lb/po² (276 kPa à 414 kPa).

Si la pression d'eau au système de filtration par osmose inverse est inférieure à 40 lb/po² à 60 lb/po² (276 kPa à 414 kPa) :

- Vérifier que le filtre à sédiment dans le système à osmose inverse n'est pas obstrué. Remplacer le filtre si nécessaire.
- Laisser le réservoir du système d'osmose inverse se remplir après une utilisation intense. La capacité du réservoir est peut-être trop faible pour répondre aux spécifications du réfrigérateur.

REMARQUE : Un système d'osmose inverse monté sur robinet est déconseillé.

- Si le réfrigérateur comporte un filtre à eau, celui-ci peut réduire la pression de l'eau lorsqu'il est utilisé avec un système d'osmose inverse. Enlever le filtre à eau. Voir « Filtres et accessoires ».

Pour toute question au sujet de la pression de l'eau, faire appel à un plombier qualifié agréé.

Raccordement à la conduite d'eau

Lire toutes les instructions avant de commencer.

IMPORTANT :

- Réaliser l'installation de plomberie conformément aux prescriptions du International Plumbing Code et des normes et codes locaux en vigueur.
- Le tuyau d'eau gris situé à l'arrière du réfrigérateur (et utilisé pour raccorder l'appareil à la canalisation d'eau du domicile) est un tuyau en polyéthylène réticulé. Il est possible d'utiliser des raccords en cuivre ou en polyéthylène réticulé pour le raccordement de la canalisation d'eau du domicile au réfrigérateur; ils contribuent à éviter que l'eau ait un goût ou une odeur désagréable. Vérifier qu'il n'y a pas de fuites. Si on utilise un tube en polyéthylène réticulé au lieu d'un tube en cuivre, nous recommandons les numéros de pièce suivants : W10505928RP (PEX chemisé de 7 pi [2,14 m]), 8212547RP (PEX de 5 pi [1,52 m]) ou W10267701RP (polyéthylène réticulé de 25 pi [7,62 m]).
- Installer des tubes seulement là où les températures resteront au-dessus du point de congélation.
- Brancher sur une alimentation en eau potable uniquement. Ne pas utiliser ce produit pour filtrer une eau microbiologiquement polluée ou de qualité inconnue en l'absence d'un dispositif de désinfection adéquat en amont ou en aval du système. Les systèmes certifiés pour la réduction des kystes peuvent être utilisés pour une eau désinfectée susceptible de contenir des kystes filtrables.

Outils requis :

Rassembler les outils et pièces nécessaires avant d'entreprendre l'installation.

- Tournevis à tête plate
- Tourne-écrou de 1/4 po
- Clés plates de 7/16 po et 1/2 po
- Foret de 1/4 po ou deux clés à molette
- Perceuse sans fil

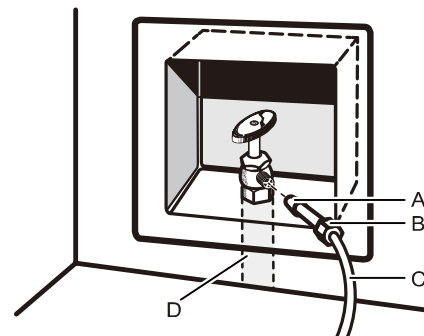
REMARQUE : Votre marchand de réfrigérateurs propose une trousse avec un robinet d'arrêt à étrier de 1/4 po (6,35 mm), un raccord et un tube en cuivre ou en polyéthylène réticulé. Avant d'en faire l'achat, s'assurer que le robinet d'arrêt à étrier est conforme aux codes locaux de plomberie. Ne pas employer de robinet d'arrêt à étrier de 3/16 po (4,76 mm) ou de type à percer, ils réduisent le débit d'eau et s'obstruent plus facilement.

Raccordement à la canalisation d'eau

IMPORTANT : Si on met le réfrigération en marche avant que la canalisation d'eau ne soit raccordée, éteindre la machine à glaçons.

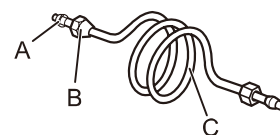
1. Débrancher le réfrigérateur ou déconnecter la source de courant électrique.
2. Couper l'alimentation principale en eau. Ouvrir le robinet le plus proche assez longtemps pour vider l'eau du tuyau.
3. Utiliser un robinet d'arrêt quart de tour ou équivalent alimenté par une canalisation d'alimentation domestique en cuivre ou en polyéthylène réticulé de 1/2 po.

REMARQUE : Pour que le réfrigérateur reçoive un débit d'eau suffisant, on recommande l'emploi d'une canalisation d'alimentation domestique en cuivre ou en polyéthylène réticulé de 1/2 po minimum.



A. Ampoule C. Tuyau en cuivre ou en polyéthylène réticulé (vers le réfrigérateur)
B. Écrou D. Conduite d'alimentation du domicile (1/2 po minimum)

4. Il est maintenant possible de connecter le tube en cuivre ou en polyéthylène réticulé au robinet d'arrêt. Utiliser une canalisation en cuivre ou en polyéthylène réticulé de 1/4 po (6,35 mm) pour raccorder le robinet d'arrêt au réfrigérateur.
 - Ensure that you have the proper length needed for the job. Be sure both ends of the copper tubing are cut square.
 - Installer la bague et l'écrou à compression sur le tuyau en cuivre comme indiqué. (Le tuyau en polyéthylène réticulé possède des viroles et écrous de compression déjà installés.) Insérer l'extrémité du tuyau aussi profondément que possible dans l'extrémité de sortie et à l'équerre. Visser l'écrou de compression sur l'extrémité de sortie du raccord à l'aide d'une clé à molette. Ne pas serrer excessivement.



A. Virole de compression C. Tuyau en cuivre ou en polyéthylène réticulé
B. Écrou de compression

- Placer l'extrémité libre de la canalisation dans un contenant ou un évier et rétablir l'alimentation principale en eau pour nettoyer le tuyau jusqu'à ce que l'eau soit limpide. Fermer le robinet d'arrêt sur le tuyau d'alimentation en eau.

REMARQUE : Toujours vidanger le tuyau d'alimentation en eau avant de faire le raccordement final sur l'entrée du robinet pour éviter tout mauvais fonctionnement éventuel du robinet.

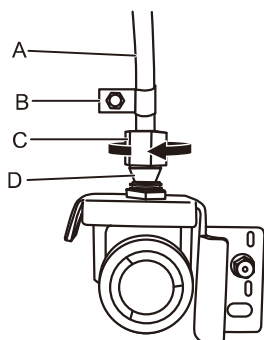
- Courber le tuyau de cuivre ou de polyéthylène réticulé de façon à le raccorder à l'arrivée de la canalisation d'eau située à l'arrière de la caisse du réfrigérateur. Laisser une partie du tube en cuivre ou de polyéthylène réticulé enroulée pour permettre de dégager le réfrigérateur de l'armoire ou du mur en cas de dépannage.

Raccordement au réfrigérateur

Selon le modèle, la canalisation d'eau peut être orientée de bas en haut ou de haut en bas. Appliquer les instructions de raccordement appropriées au modèle.

Style 1

- Ôter le bouchon de plastique de l'orifice d'entrée d'eau. Raccorder la canalisation en cuivre ou en polyéthylène réticulé au robinet d'arrivée d'eau à l'aide d'un écrou et d'une bague de compression, comme illustré. Serrer l'écrou de compression. Ne pas serrer excessivement. Vérifier la solidité du raccordement en tirant sur la canalisation en cuivre ou en polyéthylène réticulé.
- Créer une boucle de service avec la canalisation en cuivre. Éviter de déformer le tube en l'enroulant. Fixer la canalisation en cuivre ou en polyéthylène réticulé à la caisse du réfrigérateur à l'aide d'un collier en P.



- | | |
|--|--------------------------|
| A. Tuyau en cuivre ou en polyéthylène réticulé | C. Écrou de compression |
| B. Collier en « P » | D. Virole de compression |

- Ouvrir l'arrivée d'eau alimentant le réfrigérateur et vérifier l'absence de fuites. Éliminer toute fuite détectée.
- Si des glaçons sont souhaités, mettre la machine à glaçons en marche.

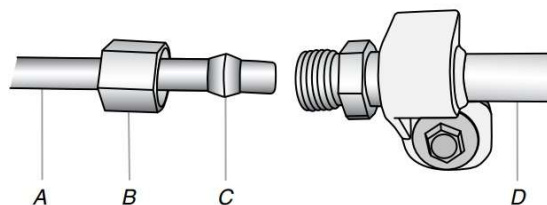
REMARQUE : Prévoir un délai de 24 heures pour la production du premier lot de glaçons. Jeter les trois premiers lots de glaçons produits. Prévoir un délai de 3 jours pour le remplissage complet du bac d'entreposage.

Style 2

- Débrancher le réfrigérateur ou déconnecter la source de courant électrique.
- Retirer et jeter la courte pièce en plastique noire de l'extrémité du point d'entrée de la canalisation d'eau.

- Thread the nut onto the end of the tubing. Tighten the nut by hand. Then tighten it with a wrench two more turns. Do not overtighten.

REMARQUE : Pour éviter les vibrations, veiller à ce que les tuyaux en cuivre ne soient pas en contact avec les parois latérales de la machine à glaçons ou d'autres composants à l'intérieur de la caisse.



- | | |
|-----------------------------------|---------------------------------|
| A. Canalisation d'eau du domicile | C. Virole (à acheter) |
| B. Écrou (à acheter) | D. Tuyau d'eau du réfrigérateur |

- Installer la bride de la canalisation d'alimentation en eau bien autour de la canalisation pour réduire la pression sur le raccord.
- Ouvrir le robinet d'arrêt.
- Check for leaks. Tighten any connections (including connections at the valve) or nuts that leak.
- Sur certains modèles, la machine à glaçons comporte un filtre à eau incorporé. Si les caractéristiques de l'eau requièrent un second filtre à eau, installer celui-ci dans la canalisation d'eau de 1/4 po (6,35 mm) à l'une ou l'autre des extrémités de la canalisation. Se procurer un filtre à eau auprès de votre marchand d'appareils ménagers.

Terminer l'installation

⚠ AVERTISSEMENT



Risque de décharge électrique

Brancher l'appareil sur une prise à 3 alvéoles reliée à la terre.

Ne pas enlever la prise de liaison à la terre.

Ne pas utiliser d'adaptateur.

Ne pas utiliser de rallonge.

Le non-respect de ces instructions peut causer un décès, un incendie ou une décharge électrique.

- Brancher l'appareil sur une prise à 3 alvéoles reliée à la terre.

REMARQUE : Prévoir un délai de 24 heures pour la production du premier lot de glaçons. Jeter les trois premiers lots de glaçons produits. Prévoir un délai de 3 jours pour le remplissage complet du bac d'entreposage.

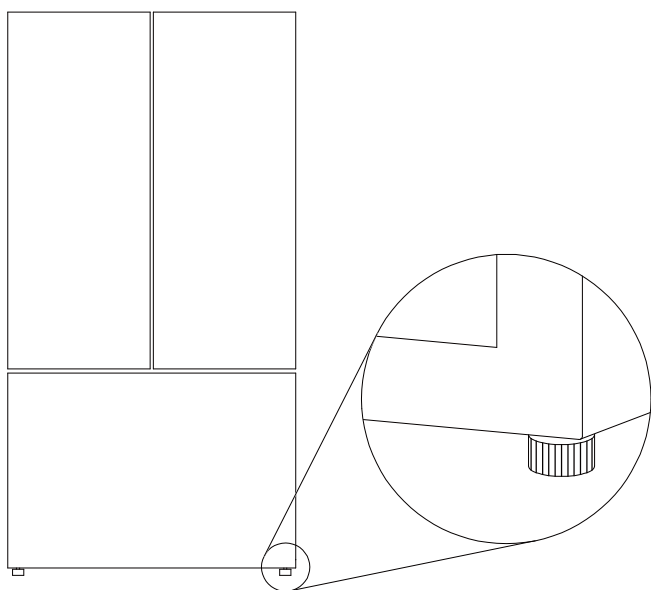
- Rincer le système de distribution d'eau. Voir la section « Distributeurs d'eau et de glaçons ».

Mise à niveau et alignement des portes

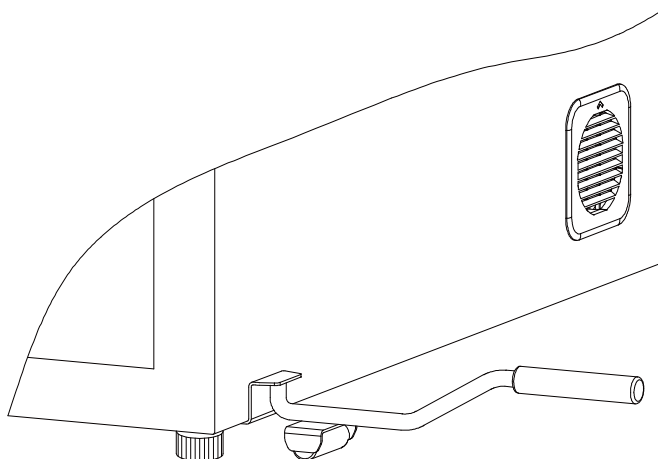
Le réfrigérateur dispose de deux pieds de nivellement avant. Ajuster les pieds pour modifier l'inclinaison d'avant en arrière ou d'un côté à l'autre.

Modifier l'inclinaison du réfrigérateur en suivant les instructions ci-dessous :

1. Tourner le pied de nivellement vers la gauche pour soulever ce côté du réfrigérateur. De l'autre côté, pour abaisser le réfrigérateur. Plusieurs tours peuvent être nécessaires pour soulever ou abaisser le réfrigérateur.
2. La plage de réglage des pieds de nivellement est limitée. Si l'inégalité du sol est supérieure à 8 mm, appeler le service pour obtenir de l'aide.
3. Si la porte du côté gauche ou droit est plus basse que celle de l'autre côté, régler le pied de nivellement pour élever ou abaisser le réfrigérateur.



4. Si nécessaire, utiliser un outil de la maison pour soulever le réfrigérateur. Cela facilitera l'ajustement des pieds de nivellement.



UTILISATION DES COMMANDES

Mode Sabbath (Sabbat)

- Déverrouiller l'interface utilisateur. Consulter le point « Verrouillage des touches » pour obtenir les détails.
- Pour activer ou désactiver le mode Sabbath (Sabbat), voir l'article « Bouton Mode » pour obtenir plus de détails.
- Le mode sabbat reste actif pendant 80 heures une fois qu'il est activé. Il se désactive ensuite automatiquement.
- Lorsque le réfrigérateur est en mode Sabbath (Sabbat), les boutons, l'écran et les lumières internes ne fonctionnent pas. Le réfrigérateur et le congélateur continuent cependant de refroidir.

UTILISATION DU RÉFRIGÉRATEUR

Machine à glaçons et bac d'entreposage à glaçons (sur certains modèles)

IMPORTANT : Afin d'éviter une faible production de glaçons ou des glaçons de mauvaise qualité, vidanger le circuit d'eau avant de mettre en marche la machine à glaçons. Consulter la section « Distributeur d'eau ».

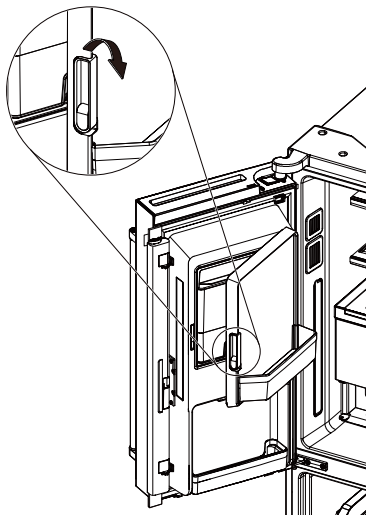
- Prévoir un délai de 24 heures après l'installation pour la production des premiers glaçons. Jeter les 3 premières quantités de glaçons produites. Accorder 2 à 3 jours au bac d'entreposage des glaçons pour qu'il se remplisse.
- La qualité des glaçons dépend de la qualité de l'eau fournie à la machine à glaçons. Éviter de connecter la machine à glaçons à une alimentation en eau adoucie. Les produits chimiques adoucisseurs d'eau (comme le sel) peuvent endommager certaines pièces de la machine à glaçons et entraîner une mauvaise qualité de glaçons. Si l'alimentation en eau adoucie ne peut être évitée, s'assurer que l'adoucisseur d'eau fonctionne bien et qu'il est bien entretenu.
- Si des glaçons sont agglomérés dans le bac d'entreposage, les briser à l'aide d'un ustensile en plastique et les jeter. Ne pas utiliser d'objet pointu pour briser les glaçons. Ceci peut endommager le bac d'entreposage et le mécanisme du distributeur.
- Ne rien conserver à l'intérieur du bac à glaçons.
- Les trousseaux de machines à glaçons ne peuvent être installés que par le fabricant ou ses techniciens.

Style 1 – Machine à glaçons dans le réfrigérateur (sur certains modèles)

La machine à glaçons est située dans la porte de gauche, derrière les balconnets. Les glaçons sont éjectés dans le bac d'entreposage à glaçons situé sur la porte de gauche du réfrigérateur.

Retrait et réinstallation du bac d'entreposage à glaçons

Pour ouvrir le bac de la machine à glaçons, tirer le levier de porte de la machine à glaçons jusqu'à ce que la porte soit dégagée.



- Retirer le bac d'entreposage à glaçons en insérant les doigts dans le trou situé à la base du bac et en tirant le loquet pour libérer le bac du compartiment. Soulever le bac d'entreposage à glaçons en le soulevant et en le dégageant en ligne droite.

- Réinstaller le bac d'entreposage dans le compartiment à glaçons et appuyer dessus pour s'assurer qu'il est bien en place.

Taux de production des glaçons

- Dans des conditions d'utilisation normales, votre machine à glaçons devrait produire environ 3,5 lb (1,6 kg) de glaçons par jour.

Mise en marche/arrêt de la machine à glaçons

- Pour mettre en marche votre machine à glaçons, accéder à la section Ice maker (Machine à glaçons) sous **Ice Maker On/3sec (Machine à glaçons – Activer/3 s)**.
- Pour arrêter votre machine à glaçons, accéder à la section Ice maker (Machine à glaçons) sous **Ice Maker On/3sec (Machine à glaçons – Désactiver/3 s)**.

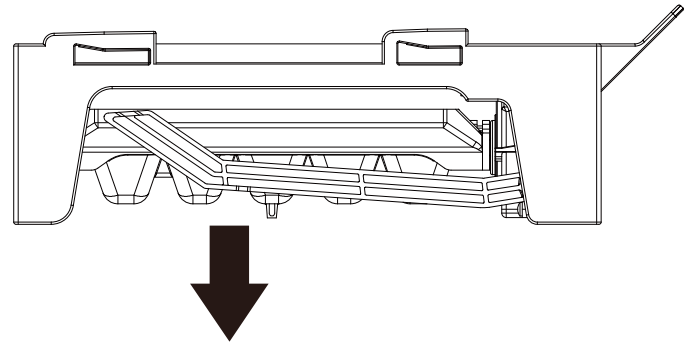
REMARQUE : La machine à glaçons comporte un système d'arrêt automatique. Le détecteur arrête automatiquement la production de glaçons si le bac d'entreposage est plein, si la porte est ouverte. La commande restera en position de marche.

Style 2 – Machine à glaçons dans le congélateur (sur certains modèles)

La machine à glaçons est activée par défaut.

Maintenir enfoncé le bouton Freezer (Congélateur) de l'interface utilisateur pour activer ou désactiver manuellement la machine à glaçons.

Le détecteur arrête automatiquement la production de glaçons si le bac d'entreposage est plein, si la porte est ouverte.



REMARQUE : Éteindre la machine à glaçons avant de retirer le bac d'entreposage pour servir des glaçons ou pour nettoyer le bac. Ceci empêchera les glaçons de tomber de la machine à glaçons et dans le compartiment de congélation. Après avoir remplacé le bac d'entreposage, mettre en marche la machine à glaçons.

Nettoyer le bac à glaçons au savon doux et à l'eau tiède.

Insérer le bac à glaçons sous la machine à glaçons et le pousser aussi loin que possible.

Taux de production des glaçons

Prévoir un délai de 24 heures pour la production du premier lot de glaçons. Jeter les trois premiers lots de glaçons produits.

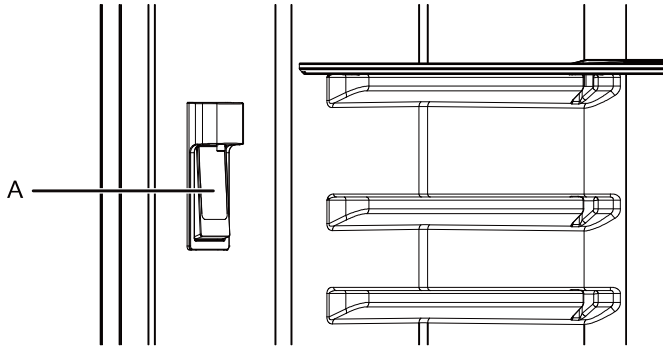
Prévoir un délai de 3 jours pour le remplissage complet du bac d'entreposage. La machine à glaçons devrait produire approximativement 3 lb (1,4 kg) (8 à 12 lots) de glaçons au cours d'une période de 24 heures.

Une fois le bac à glaçons plein, pour faire plus de glace, utiliser une spatule à glace pour déplacer les glaçons à l'intérieur du bac à glaçons vers la porte.

Fonctionnement interne de l'eau (sur certains modèles)

- Appuyer sur la plaque de distribution d'eau et la maintenir enfoncée pour distribuer de l'eau.
- Relâcher la plaque de distribution d'eau pour arrêter la distribution d'eau.

REMARQUE : Placer la tasse aussi près que possible de la palette de distribution d'eau pendant la distribution d'eau. Relâcher la palette de distribution d'eau et attendre 1 seconde de plus avant d'éloigner la tasse. De l'eau pourrait s'écouler de la tasse sinon.



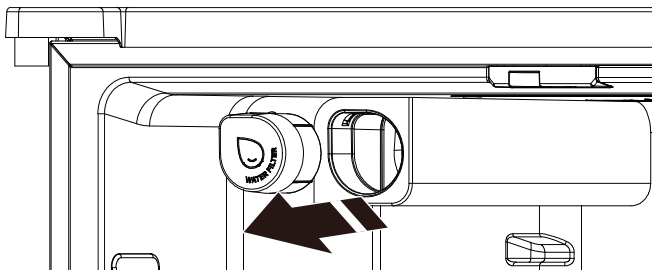
A. Plaque du distributeur d'eau

Filtres et accessoires

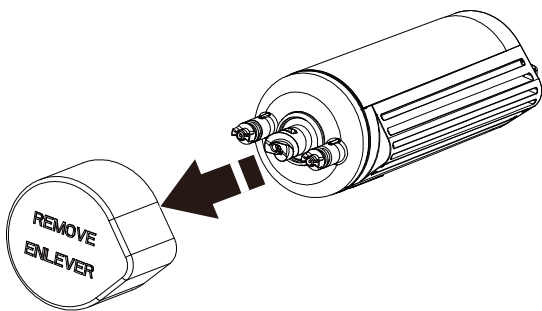
Ne pas utiliser ce produit pour filtrer une eau microbiologiquement polluée ou de qualité inconnue en l'absence d'un dispositif de désinfection adéquat en amont ou en aval du système. Les systèmes certifiés pour la réduction des kystes peuvent être utilisés pour une eau désinfectée susceptible de contenir des kystes filtrables.

Installation du filtre à eau

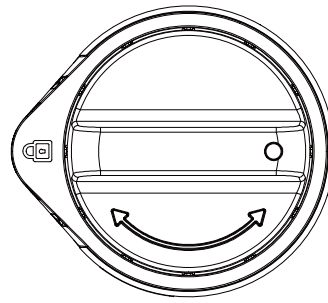
1. Trouver le compartiment du filtre dans le coin supérieur gauche du réfrigérateur et retirer le couvercle du filtre.



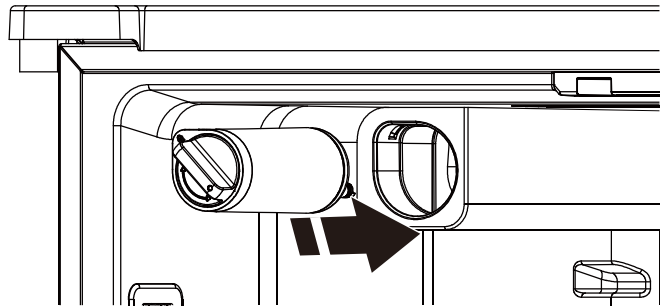
2. Retirer le filtre de l'emballage, puis retirer le couvercle de protection du filtre.



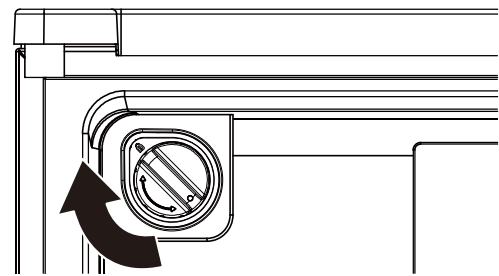
3. S'assurer que le bouton de verrouillage est en position déverrouillée.



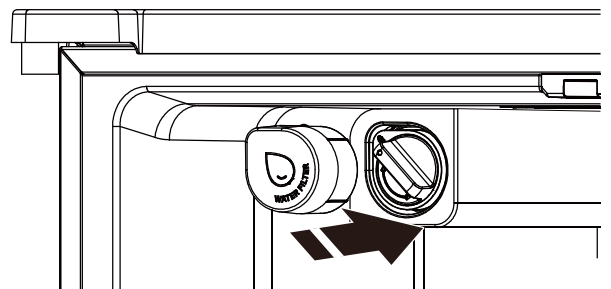
4. Placer le filtre dans le compartiment du filtre.



5. Tourner le bouton de verrouillage dans le sens des aiguilles d'une montre à 180° pour maintenir le filtre verrouillé.



6. Remettre le couvercle du filtre en place.



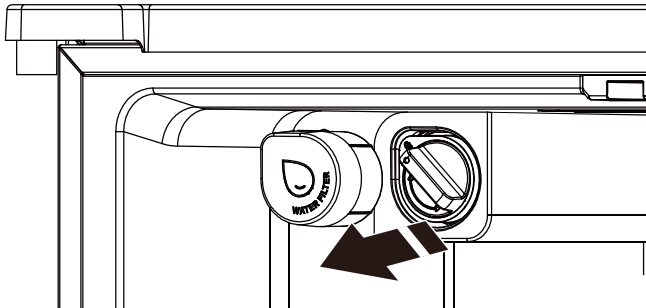
REMARQUE : Si le filtre n'est pas installé correctement, le débit d'eau sera plus faible et la production de glaçons plus lente. La mauvaise installation d'un filtre peut aussi laisser fuir le compartiment du filtre.

Remplacer et installer le filtre à eau

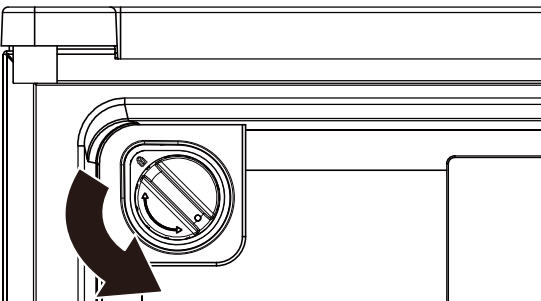
Le filtre à eau devrait être remplacé tous les 6 mois en fonction d'un débit de 0,52 gal/min (1 à 97 LPM/min) pour un total de 200 gallons (757 L) d'eau filtrée.

Pour commander un filtre de remplacement, consulter les informations de commande en ligne dans le « Guide de démarrage rapide ».

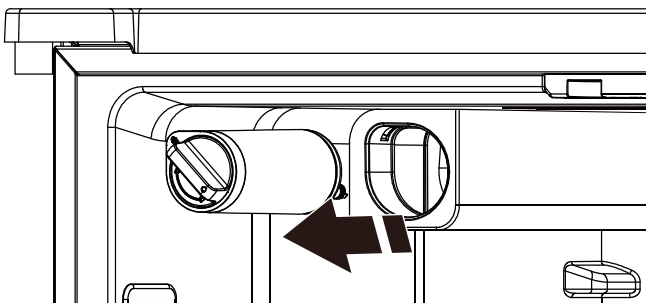
1. Trouver le compartiment du filtre dans le coin supérieur gauche du réfrigérateur et retirer le couvercle du filtre.



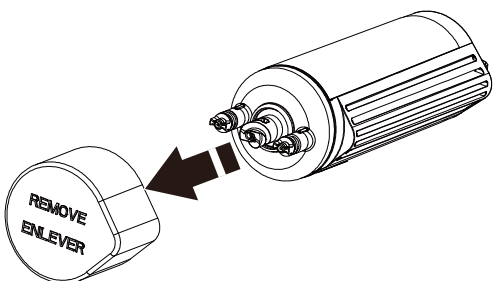
2. Tourner le bouton de verrouillage de 180° dans le sens inverse des aiguilles d'une montre de manière à ce que le filtre soit déverrouillé.



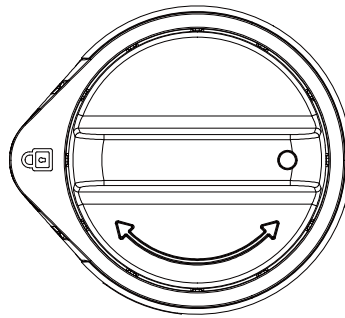
3. Retirer l'ancien filtre vers l'extérieur.



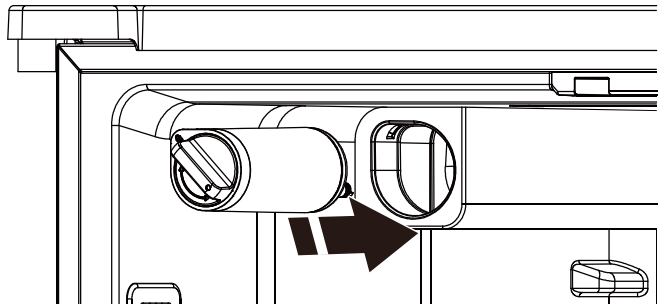
4. Prendre le nouveau filtre et retirer la protection du filtre.



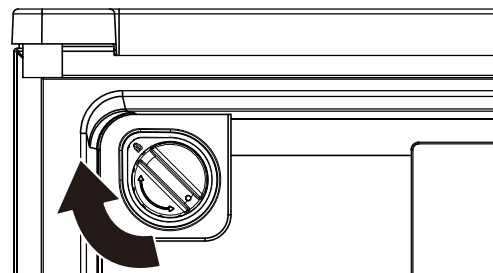
5. S'assurer que le bouton de verrouillage est en position de déverrouillage.



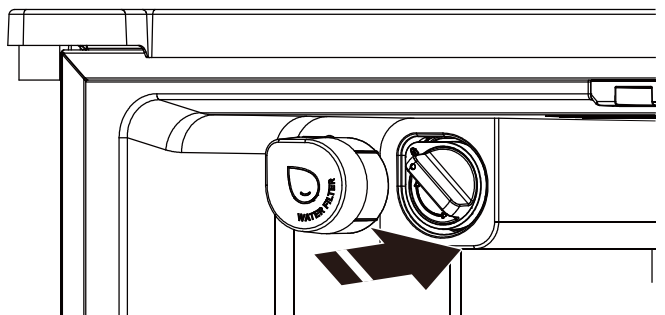
6. Placer le filtre dans le compartiment du filtre.



7. Tourner le bouton de verrouillage dans le sens des aiguilles d'une montre à 180° pour maintenir le filtre verrouillé.



8. Replacer le couvercle du filtre.



Témoin lumineux du filtre à eau

Le témoin d'état du filtre à eau affiche l'état du filtre à eau.

- L'icône « Replace Filter » (Remplacer le filtre) ou « Reset Filter » (Réinitialiser le filtre) (selon le modèle) s'allume et clignote continuellement lors de la distribution, lorsque le volume d'eau sélectionné est passé par le filtre OU lorsque 6 mois se sont écoulés depuis l'installation du filtre.

Un nouveau filtre doit être installé immédiatement lorsque le témoin lumineux « Replace Filter » (Remplacer le filtre) ou « Reset Filter » (Réinitialiser le filtre) s'allume.

- Après être restée au stade de remplacement du filtre pendant 14 jours, l'icône « Replace Filter » (Remplacer le filtre) ou « Reset Filter » (Réinitialiser le filtre) reste allumée en permanence et clignote continuellement durant la distribution. Un signal d'alerte retentit également trois fois après la distribution.

Le filtre à eau doit être remplacé au moins tous les 6 mois.

Après avoir remplacé le filtre à eau, l'utilisateur doit réinitialiser le témoin d'état du filtre. Appuyer sur le bouton « Replace Filter » (Remplacer le filtre) ou « Reset Filter » (Réinitialiser le filtre) (selon le modèle) pendant 3 secondes pour réinitialiser l'état du filtre à eau. Ensuite, l'icône « Replace Filter » (Remplacer le filtre) ou « Reset Filter » (Réinitialiser le filtre) s'éteint.

REMARQUE : « Replace filtre » (Remplacer le filtre) reste allumé si le filtre n'est pas réinitialisé sur l'interface utilisateur (IU).

Pour commander un filtre de remplacement, consulter les informations de commande en ligne dans le « Guide de démarrage rapide ».

REMARQUE : Si le filtre n'est pas installé correctement, le débit d'eau sera plus faible et la production de glaçons plus lente. La mauvaise installation d'un filtre peut aussi laisser fuir le compartiment du filtre.

- Utiliser un filtre à eau EVERYDROP pour obtenir des glaçons et de l'eau au goût frais.
- Le remplacer tous les six mois pour obtenir de l'eau propre.
- Pour obtenir des glaçons et de l'eau propres et frais, utiliser un filtre à eau everydrop® dans votre réfrigérateur.
- Le seul filtre approuvé par les marques Whirlpool, Maytag, Amana, KitchenAid et JennAir.*

*Les produits everydrop® et les produits de la marque recommandée sont la propriété et distribués par Whirlpool Corporation.

- Un seul filtre à eau everydrop® approuvé remplace 1 500 bouteilles d'eau en plastique* qu'il n'est pas nécessaire d'acheter et qui ne finiront pas dans nos océans ou sur nos trottoirs.

*Bouteille de 16,9 oz.

everydrop®



INSTRUCTIONS POUR LA PORTE ET LA POIGNÉE

Retrait et réinstallation des portes du réfrigérateur

REMARQUE : En fonction de la largeur de l'ouverture de la porte, il faudra peut-être retirer les portes du réfrigérateur pour pouvoir introduire le réfrigérateur dans le domicile. Si les portes doivent être retirées, consulter les instructions suivantes.

REMARQUE : Si le réfrigérateur est déjà installé et qu'il doit être déplacé à l'extérieur de la maison, fermer les commandes du réfrigérateur avant de commencer à enlever les portes. Débrancher le réfrigérateur ou déconnecter la source de courant électrique. Retirer les aliments et les balconnets des portes du réfrigérateur.

OUTILS REQUIS : Clés à douille de 5 mm et 6 mm, tournevis cruciforme no 2.



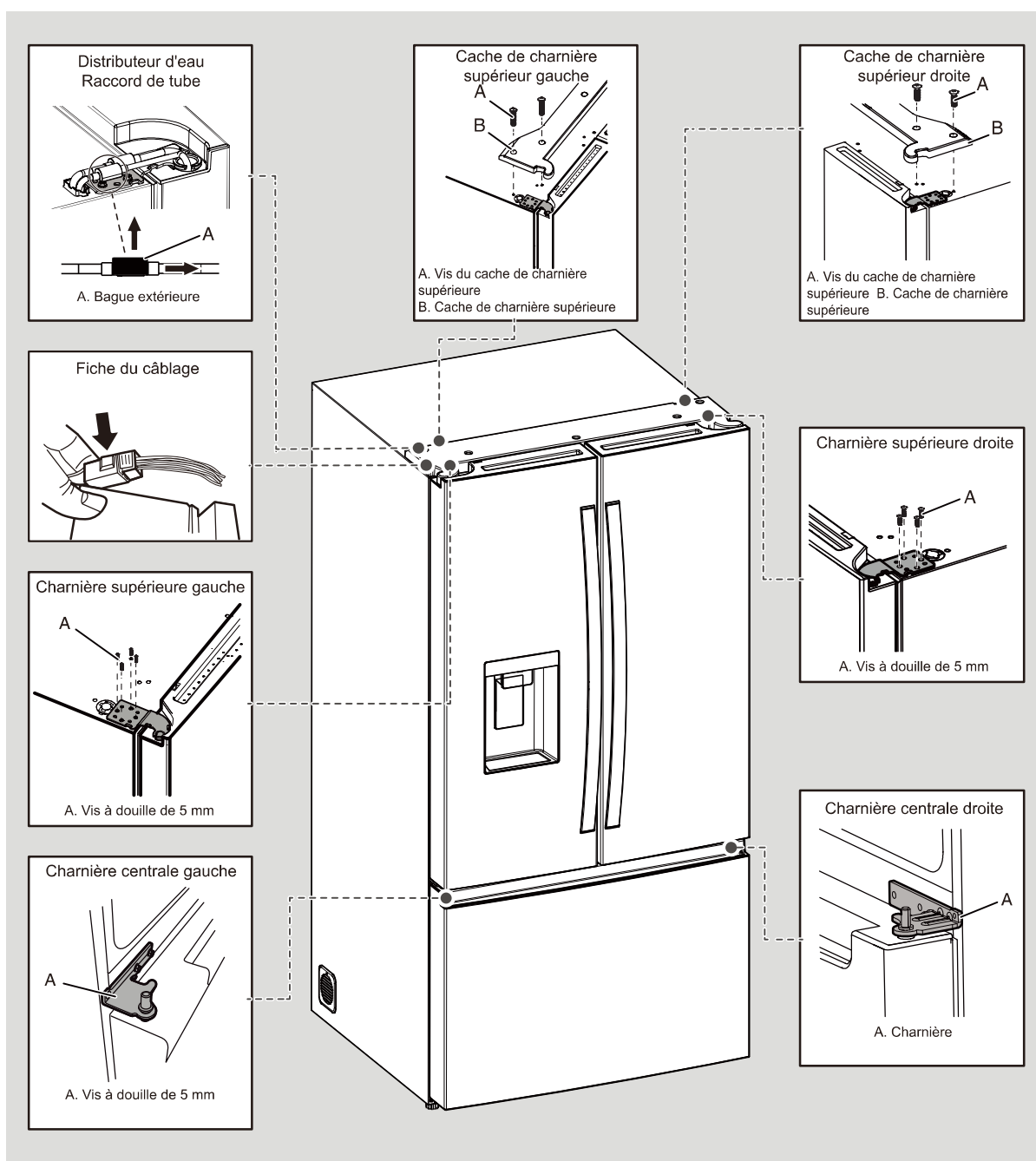
⚠ AVERTISSEMENT

Risque de décharge électrique

Déconnecter la source de courant électrique avant d'enlever les portes.

Le non-respect de cette instruction peut causer un décès ou une décharge électrique.

Style 1 – Machine à glaçons dans la porte de gauche



Retrait et réinstallation des portes du réfrigérateur

REMARQUE : En fonction de la largeur de l'ouverture de la porte, il faudra peut-être retirer les portes du réfrigérateur pour pouvoir introduire le réfrigérateur dans le domicile. Si les portes doivent être retirées, consulter les instructions suivantes.

IMPORTANT : Si le réfrigérateur est déjà installé et qu'il doit être déplacé à l'extérieur de la maison, fermer les commandes du réfrigérateur avant de commencer à enlever les portes. Débrancher le réfrigérateur ou déconnecter la source de courant électrique. Retirer les aliments et les balconnets des portes du réfrigérateur.

OUTILS REQUIS : Clés à douille de 5 mm et 6 mm, tournevis cruciforme no 2.



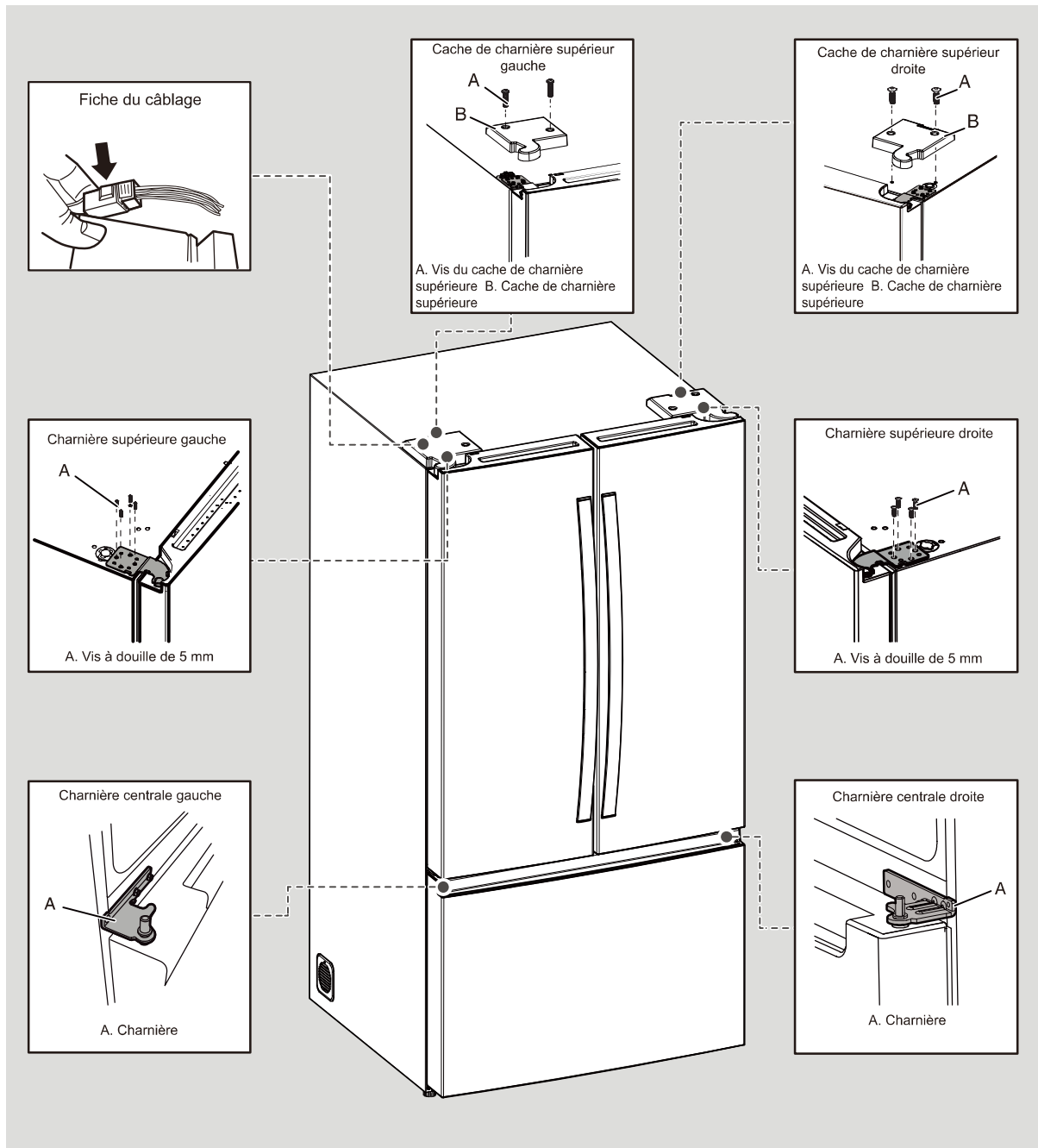
⚠ AVERTISSEMENT

Risque de décharge électrique

Déconnecter la source de courant électrique avant d'enlever les portes.

Le non-respect de ces instructions peut causer un décès ou une décharge électrique.

Style 2 – Sans machine à glaçons dans la porte de gauche



Retrait des portes du réfrigérateur

⚠ AVERTISSEMENT



Risque de décharge électrique

Déconnecter la source de courant électrique avant d'enlever les portes.

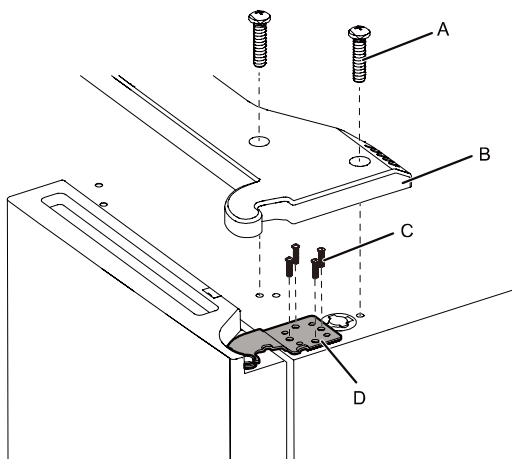
Le non-respect de cette instruction peut causer un décès ou une décharge électrique.

Retrait de la porte de droite

1. Débrancher le réfrigérateur ou déconnecter la source de courant électrique.
2. Laisser les portes du réfrigérateur fermées jusqu'au moment de les détacher de la caisse.

REMARQUE : Prévoir un support supplémentaire pour la porte du réfrigérateur pendant le retrait des charnières. La force d'attraction des aimants de la porte ne suffit pas à la maintenir en place pendant la manutention.

3. À l'aide d'un tournevis cruciforme, retirer le couvre-charnière de la charnière supérieure.
4. À l'aide de la clé à douille de 5 mm, retirer les quatre vis de la charnière supérieure et les garder de côté.



- A. Vis du couvre-charnière supérieur
- B. Couvre-charnière supérieur
- C. Vis à tête creuse de 5 mm
- D. Charnière supérieure

⚠ AVERTISSEMENT

Risque de poids excessif

Utiliser deux ou plus de personnes pour soulever la porte de l'appareil.

Le non-respect de cette instruction peut causer une blessure au dos ou d'autres blessures.

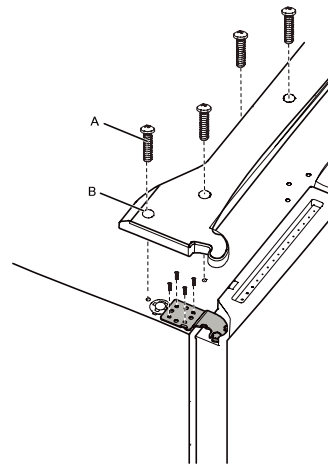
5. Soulever la porte du réfrigérateur de l'axe de la charnière du centre. La charnière supérieure se dégage en même temps que la porte.

Retrait de la porte de gauche

IMPORTANT : Le câblage de l'IU passe par la charnière de la porte de gauche, il doit être déconnecté avant de retirer la porte.

Style 1 – Machine à glaçons dans la porte de gauche

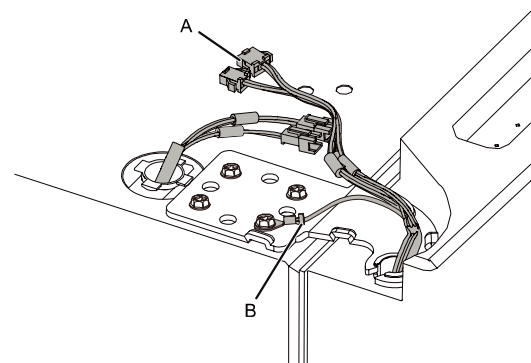
1. À l'aide d'un tournevis cruciforme, retirer le couvre-charnière de la charnière supérieure.



- A. Vis du couvre-charnière supérieur
- B. Couvre-charnière supérieur

2. Débrancher les deux fiches de câblage situées sur le dessus de la charnière de la porte.

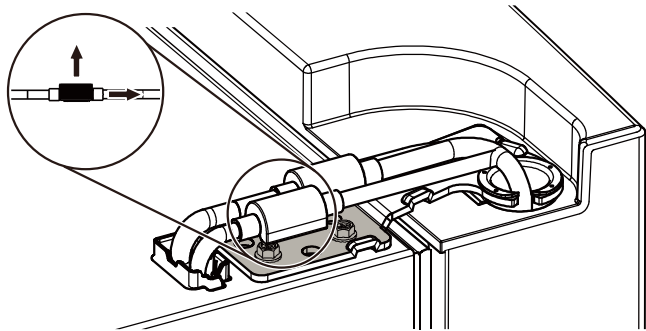
- Saisir chaque côté des fiches de câblage. Avec le pouce gauche, appuyer sur le loquet pour le dégager et écarter les deux sections des fiches.



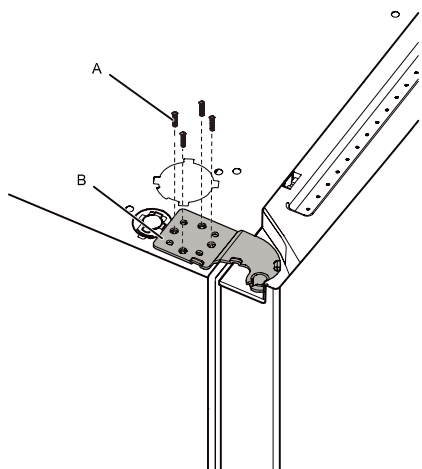
- A. Fiche de câblage
- B. Connecteur de mise à la terre

- Débrancher le tube du distributeur d'eau situé sur la charnière de la porte. Tirer fermement l'attache vers le haut. Tirer ensuite le tuyau hors du raccord.

REMARQUE : Le tuyau du distributeur d'eau reste fixé à la porte de gauche du réfrigérateur.



- À l'aide de la clé à douille de 5 mm, retirer les quatre vis internes de la charnière et les garder de côté.



A. Vis à tête creuse de 5 mm
B. Charnière supérieure

REMARQUE : Prévoir un support supplémentaire pour la porte du réfrigérateur pendant le retrait des charnières. La force d'attraction des aimants de la porte ne suffit pas à la maintenir en place pendant la manutention.

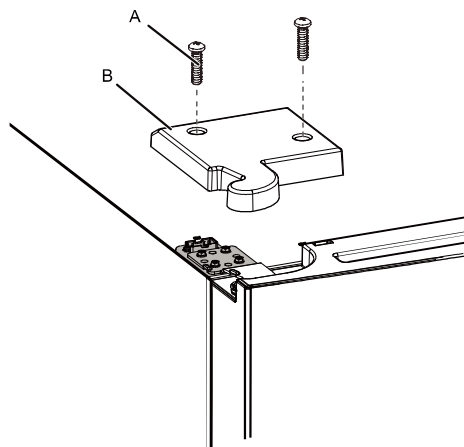
- Soulever la porte du réfrigérateur de l'axe de la charnière inférieure. La charnière supérieure se dégage en même temps que la porte.

REMARQUE : Il ne sera peut-être pas nécessaire d'enlever les pieds de stabilisation pour faire passer le réfrigérateur dans un cadre de porte.

- Si nécessaire, utiliser une clé à douille de 6 mm et un tournevis cruciforme no 2 pour enlever la charnière du milieu.

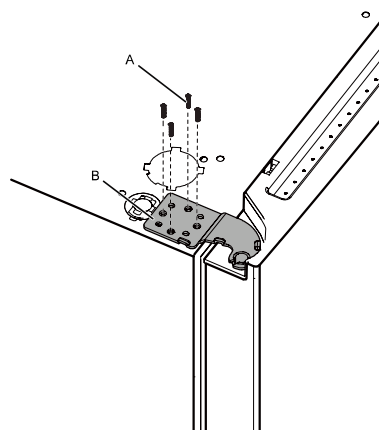
Style 2 – Sans machine à glaçons dans la porte de gauche

- À l'aide d'un tournevis cruciforme, retirer le couvre-charnière de la charnière supérieure.



A. Vis du couvre-charnière supérieur
B. Couvre-charnière supérieur

- À l'aide de la clé à douille de 5 mm, retirer les quatre vis internes de la charnière et les garder de côté.



A. Vis à tête creuse de 5 mm
B. Charnière supérieure

REMARQUE : Prévoir un support supplémentaire pour la porte du réfrigérateur pendant le retrait des charnières. La force d'attraction des aimants de la porte ne suffit pas à la maintenir en place pendant la manutention.

- Soulever la porte du réfrigérateur de l'axe de la charnière inférieure. La charnière supérieure se dégage en même temps que la porte.

REMARQUE : Il ne sera peut-être pas nécessaire d'enlever les pieds de stabilisation pour faire passer le réfrigérateur dans un cadre de porte.

- Si nécessaire, utiliser une clé à douille de 6 mm et un tournevis cruciforme no 2 pour enlever la charnière du milieu.

Réinstallation de la porte de droite du réfrigérateur

- Placer la porte de droite sur l'axe de la charnière du milieu.
- Insérer l'axe de la charnière supérieure dans le trou du sommet de la porte du réfrigérateur.
- À l'aide de 4 vis à tête creuse de 5 mm, serrer la charnière sur l'appareil. Ne pas complètement serrer les vis.

Réinstallation de la porte de gauche du réfrigérateur

1. Placer la porte de gauche sur l'axe de la charnière du milieu.
2. À l'aide de 4 vis à tête creuse de 5 mm, serrer la charnière sur l'appareil. Ne pas complètement serrer les vis.
3. Rebrancher le câblage électrique.
 - Remboîter deux sections de la fiche de câblage.
 - Rebrancher la mise à la terre à la vis de charnière.

Étapes finales

1. Serrer à fond les 8 vis à tête creuse de 5 mm.
2. Réinstaller les couvre-charnière supérieurs.

Retrait et réinstallation de la porte du congélateur ou retrait du tiroir du congélateur

En fonction de la largeur de l'ouverture de la porte, il faudra peut-être retirer les portes du congélateur pour pouvoir introduire le réfrigérateur dans le domicile.

IMPORTANT :

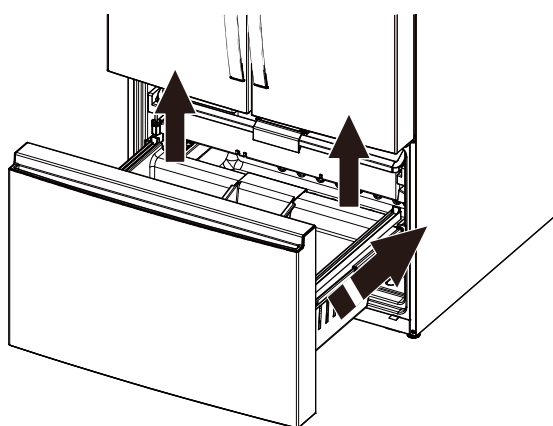
- Si le réfrigérateur était déjà installé et que vous souhaitez le déplacer hors de votre domicile, effectuez d'abord les opérations suivantes : tourner la commande du réfrigérateur sur OFF (ARRÊT) et débrancher le réfrigérateur ou déconnecter la source de courant électrique.
- Retirer les aliments et tous les balconnets de la porte du réfrigérateur.
- Il faudra peut-être deux personnes pour déplacer et réinstaller la porte du congélateur.

Outils requis : Tournevis à tête cruciforme.

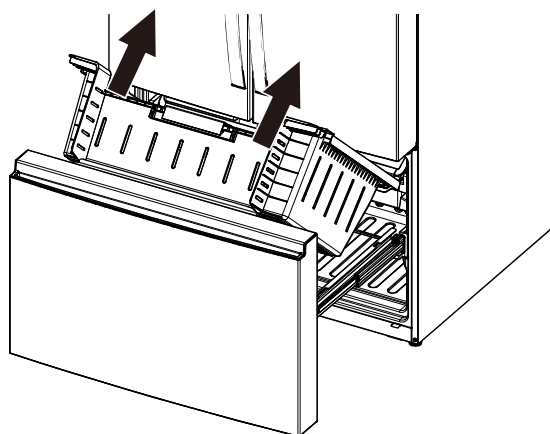
Retrait de la porte ou du tiroir du congélateur

REMARQUE : Qu'il s'agisse de retirer la porte du congélateur, de replacer la porte du congélateur ou de retirer le tiroir du congélateur, il faut d'abord effectuer les étapes 1 à 3, puis les étapes 4, 5 et 6 selon les besoins.

1. Ouvrir complètement la porte de congélation.
2. Soulever le tiroir supérieur et le pousser vers l'intérieur de la caisse.

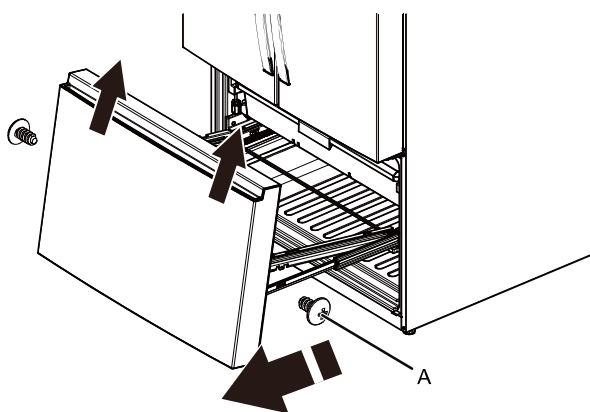


3. Retirer le tiroir du bas et le placer à l'extérieur de la caisse.



4. Retrait de la porte du congélateur

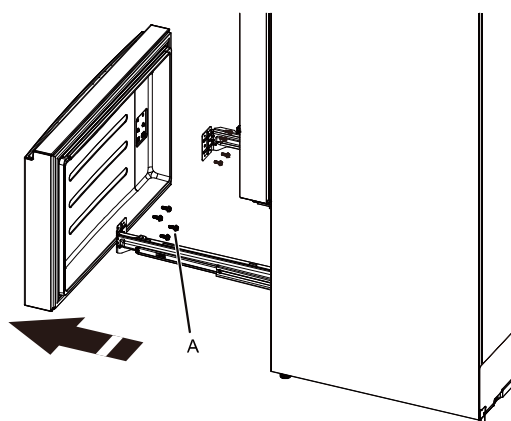
Utiliser un tournevis cruciforme pour retirer les vis fixant la porte du congélateur à la glissière, une vis de chaque côté, soulever la porte du congélateur et la retirer.



A. Vis

5. Remplacement de la porte du congélateur

Utiliser un tournevis cruciforme pour retirer quatre vis de chaque côté de la porte et du support métallique, puis retirer la porte et la remplacer par une neuve.

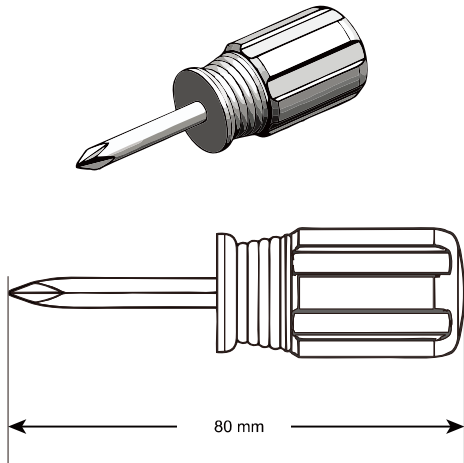


A. Vis

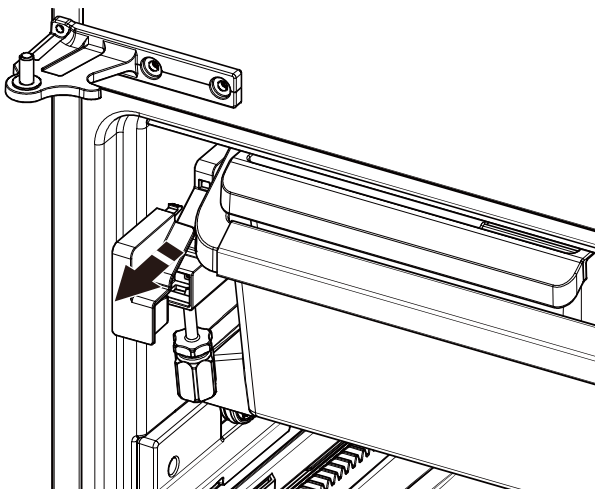
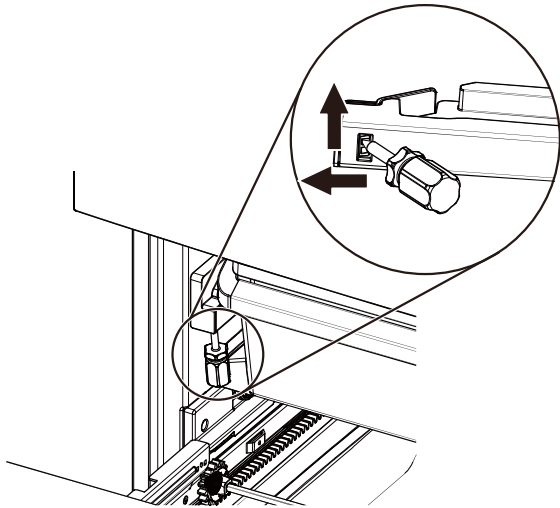
6. Retrait du tiroir supérieur du congélateur

REMARQUE : Le tiroir supérieur du congélateur ne doit être retiré que par des professionnels du service après-vente.

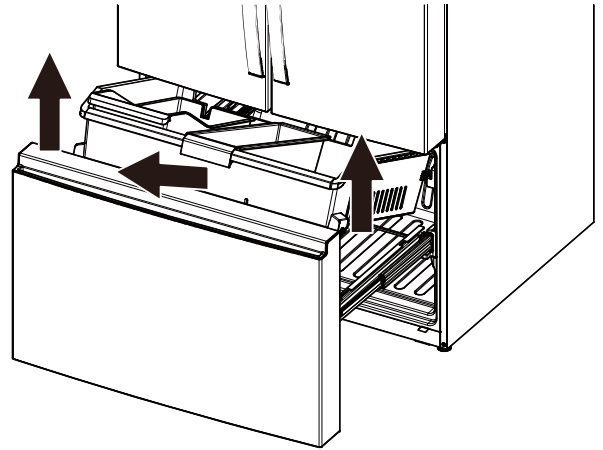
- Prendre un tournevis cruciforme approprié d'une longueur totale inférieure à 80 mm.



- Introduire la tête du tournevis dans la fente de la boucle sous le pignon d'arrêt gauche, exercer une pression vers le haut et vers l'extérieur sur la boucle pour la libérer, puis retirer le pignon d'arrêt gauche.



- Tirer le tiroir supérieur jusqu'à la position d'arrêt et soulever le tiroir vers le haut et vers l'extérieur.



Étapes finales

⚠ AVERTISSEMENT



Risque de décharge électrique

Brancher l'appareil sur une prise à 3 alvéoles reliée à la terre.

Ne pas enlever la prise de liaison à la terre.

Ne pas utiliser d'adaptateur.

Ne pas utiliser de rallonge.

Le non-respect de ces instructions peut causer un décès, un incendie ou une décharge électrique.

1. Brancher sur une prise reliée à la terre.
2. Replacer toutes les pièces amovibles et tous les aliments dans les tiroirs.

Installation et retrait des poignées

Pièces fournies :

Poignées de porte du réfrigérateur (2), clés à douille à tête hexagonale 1/4 po (1), instructions pour l'installation des poignées aux portes (1).

Installation des poignées

REMARQUE : L'ensemble de poignée est fourni avec des instructions pour installer les poignées dans les portes. Les suivre attentivement.

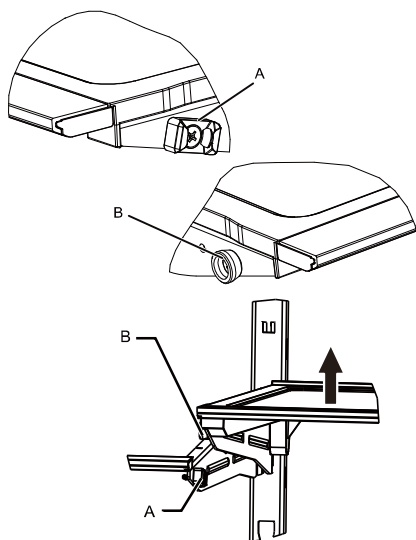
Tablettes, balconnets et tiroirs

Tablettes et cadres de tablettes

Les tablettes en moitié du réfrigérateur sont réglables pour s'adapter aux besoins de rangement de l'utilisateur. Afin de pouvoir trouver plus facilement l'article recherché, on peut remiser ensemble des aliments semblables dans le réfrigérateur et ajuster les tablettes pour les adapter aux différentes tailles d'articles. Ceci réduira également la durée d'ouverture de la porte du réfrigérateur et permettra d'économiser de l'énergie.

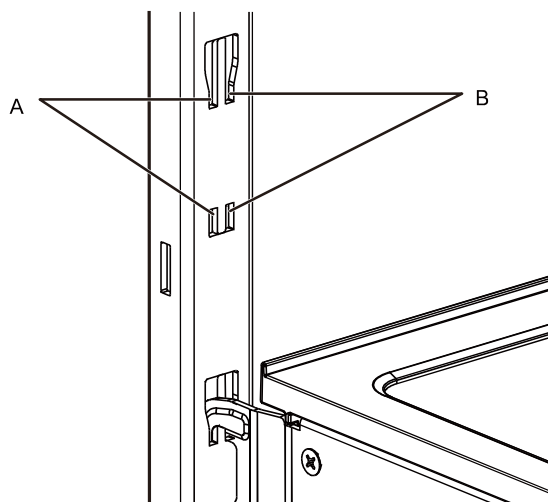
Enlever et réinstaller une tablette en moitié avec cadre de tablette :

1. Retirer la tablette en tenant le bord avant de la moitié gauche de la tablette et en inclinant la moitié droite de la tablette vers le haut jusqu'à ce que les butées gauche et droite soient séparées.

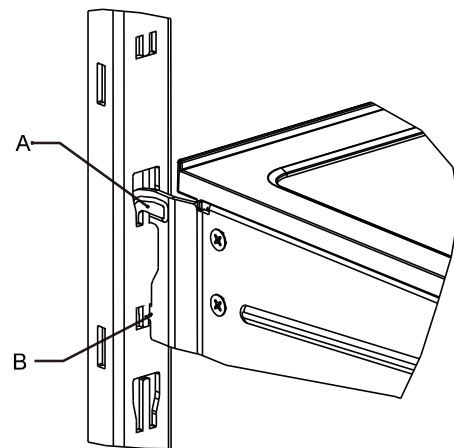


A. Butée de gauche
B. Butée de droite

2. Soulever l'ensemble de la tablette pour la sortir de ses supports.
3. Replacer la tablette en dirigeant la patte fixe supérieure dans les supports de tablette. Incliner l'avant de la tablette vers le haut jusqu'à ce que la patte fixe supérieure se place dans les supports de tablette.



A. Trou 1
B. Trou 2



A. Patte fixe supérieure
B. Patte fixe inférieure

REMARQUE : Le trou 1 ne peut être utilisé que pour le support de la moitié gauche de la tablette, et le trou 2 ne peut être utilisé que pour le support de la moitié droite de la tablette. Si le trou est mal placé, la tablette sera instable et ne pourra pas être utilisée.

4. Abaisser l'avant de la tablette et s'assurer que la patte fixe inférieure est bien en position.

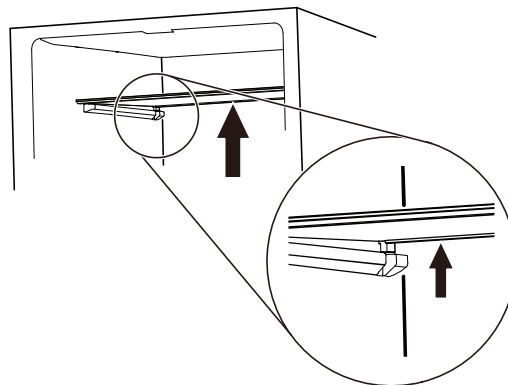
Tablettes complètes en verre

IMPORTANT :

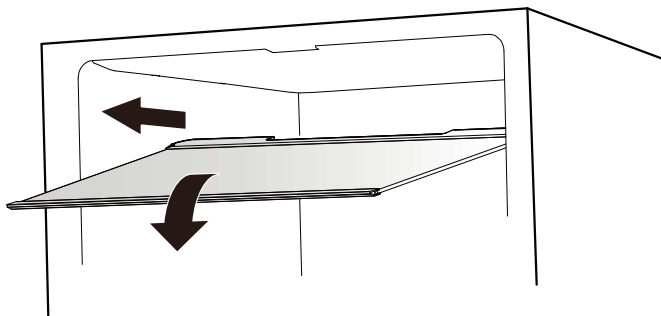
- La hauteur de la tablette complète en verre n'est pas réglable.
- Pour retirer le couvercle du bac à légumes, il faut d'abord retirer les portes du réfrigérateur.

Retrait et réinstallation d'une tablette complète en verre :

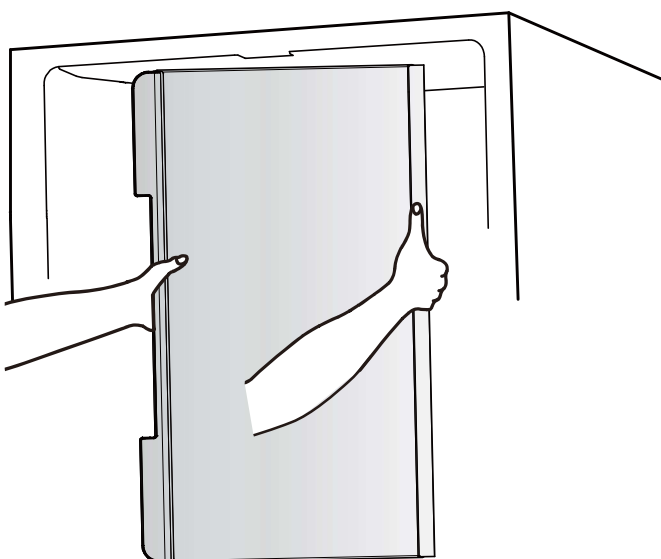
1. Tenir le fond de la tablette en verre avec les mains et la soulever jusqu'à ce que le bouchon situé à l'arrière de la tablette soit dégagé des nervures.



2. Déplacer la tablette en verre vers l'avant et abaisser l'avant de la tablette jusqu'à ce que la finition arrière soit hors des supports.



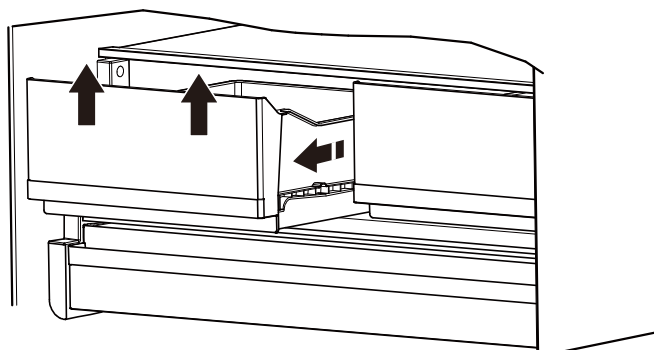
3. Retirer la tablette en veillant à ne pas endommager la porte du réfrigérateur.
4. Si l'étape 3 n'est pas facile à réaliser, tourner la tablette en verre dans la position indiquée sur l'illustration, puis la retirer.



Bacs à légumes

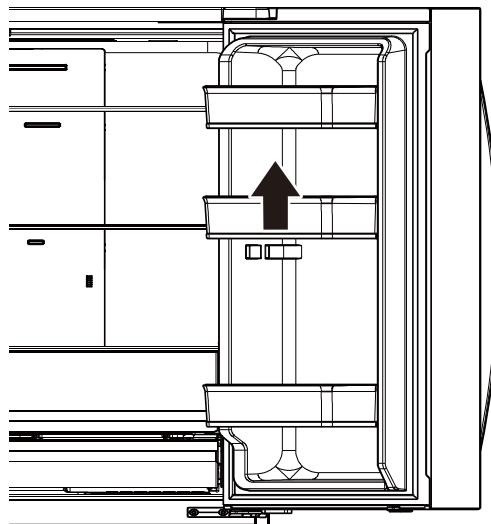
Retrait et réinstallation des tiroirs :

1. Saisir la poignée au bas du tiroir et soulever l'avant du tiroir jusqu'à passer la butée du tiroir et extraire le tiroir en le faisant glisser vers l'extérieur jusqu'à la butée. Retirer le tiroir des guides inférieurs.
2. Replacer le tiroir en le plaçant sur la glissière inférieure du tiroir et en le poussant au-delà de la butée d'arrêt du tiroir.



Balconnets de porte du réfrigérateur

Les balconnets dans les portes du réfrigérateur sont réglables afin de s'adapter à vos besoins de rangement. Les balconnets permettent de facilement personnaliser l'espace de rangement des portes pour y ranger des bouteilles de grande taille.



Compartiments de rangement du congélateur

- Utiliser ces tiroirs pour congeler une grande quantité d'aliments frais ou cuisinés (de la meilleure façon ou de la façon la plus rapide).
- L'option Fast Freeze (Congélation rapide) permet de ranger en toute sécurité les aliments surgelés.

FICHE DE DONNÉES DE PERFORMANCE

Système de filtration de l'eau

Modèle W11569863 (PID), W11569861 (sans PID)

Numéros de modèles de l'élément de remplacement : EDRARXD1/EDRARXD1B/W11536439/WHRARXD1/WHRARXD1B/
KADARXD1/KADARXD1B/MAYARXD1/MAYARXD1B/W11486187

Capacité de 200 gal. (757 L) avec PID W11569863, 100 gal. (379 L) sans PID W11569861.



Système testé et homologué par NSF International en vertu des normes CSA B483, ainsi que NSF/ANSI 42, 53 et 401 pour la réduction des allégations spécifiées sur la fiche de performance ci-dessous.

Ce système a été testé selon les normes NSF/ANSI 42, 53, 401 et CSA B483.1 pour la réduction des substances énumérées ci-dessous. La concentration des substances indiquées dans l'eau entrant dans le système a été réduite à une concentration inférieure ou égale à la limite permise pour l'eau qui quitte le système, comme spécifié par les normes ANSI/NSF 42, 53 et 401, ainsi que CSA B483.1.

Réduction concentration produits de désinfection	Concentration dans l'eau à traiter	Exigences de réduction	Réduction de concentration % moy.	% de réd. minimale
Chlore goût/odeur	2,0 mg/L ± 10 %	Réduction de ≥ 50 %	99,39	99
Particules (classe I*)	Au moins 10 000 particules/mL	Réduction de ≥ 85 %	99,52	99,33
Microplastiques	Au moins 10 000 particules/mL	Réduction de ≥ 85 %	99,52	99,33
Réduction des contaminants	Concentration dans l'eau à traiter	Exigences de réduction	Réduction de concentration % moy.	% de réd. minimale
Plomb : à pH 6,5/à pH 8,5	0,150 mg/L ± 10 %	0,005 mg/L	99,29/99,84	99,07/99,46
Mercure : à pH 6,5/à pH 8,5	0,006 mg/L ± 10 %	0,002 mg/L	97,38/92,78	92,98/75,86
Amiante	10 ⁷ à 10 ⁸ fibres/L††	≥ 99 %	> 99,0	> 99,0
Kystes†	50 000/L minimum	≥ 99,95 %	> 99,997	> 99,997
Atrazine	0,009 mg/L ± 10 %	0,003 mg/L	> 98,98	> 98,95
Benzène	0,015 mg/L ± 10 %	0,005 mg/L	> 99,28	> 99,17
Carbofurane	0,080 mg/L ± 10 %	0,040 mg/L	83,93	58,7
Lindane	0,002 mg/L ± 10 %	0,000 2 mg/L	95,22	95
P-dichlorobenzène	0,225 mg/L ± 10 %	0,075 mg/L	99,95	99,95
Tétrachloroéthène	0,015 mg/L ± 10 %	0,005 mg/L	99,33	99,29
Toxaphène	0,015 mg/L ± 10 %	0,003 mg/L	99,27	99,17
O-dichlorobenzène	1,8 mg/L ± 10 %	0,6 mg/L	> 99,995	> 99,995
Toluène	3,0 mg/L ± 10 %	1,0 mg/L	> 99,9	> 99,9
Styrène	2,0 mg/L ± 10 %	0,1 mg/L	> 99,9	> 99,9
1,2,4 – Trichlorobenzène	0,210 mg/L ± 10 %	0,07 mg/L	> 99,55	> 99,42
Trichloréthylène	0,3 mg/L ± 30 %	0,005 mg/L	> 99,8	> 99,8
Endrin	0,006 mg/L ± 10 %	0,002 mg/L	92,32	83,93

Réduction concentration produits de désinfection	Concentration dans l'eau à traiter	Exigences de réduction	Réduction de concentration % moy.	% de réd. minimale
Éthylbenzène	2,1 mg/L ± 10 %	0,7 mg/L	> 99,99	> 99,99
2,4 – D	0,210 mg/L ± 10 %	0,07 mg/L	98,89	94,76
Turbidité	11 NTU ± 10 %	0,5 NTU	98,88	98,17
Aténolol	200 ± 20 %	30 ng/L	95,27	94,98
Carbamazépine	1 400 ± 20 %	200 ng/L	96,2	96,09
Linuron	140 ± 20 %	20 ng/L	93,53	92,31
Méprobamate	400 ± 20 %	60 ng/L	94,54	94,32
Triméthoprime	140 ± 20 %	20 ng/L	96,27	95,94
Diéthyltoluamide	1 400 ± 20 %	200 ng/L	96,32	96,21
Métolachlore	1 400 ± 20 %	200 ng/L	96,67	96,5
Bisphénol A	2 000 ± 20 %	300 ng/L	95,07	94,82
Estrone	140 ± 20 %	20 ng/L	96,27	96,15
Nonylphénol	1 400 ± 20 %	200 ng/L	92,61	90,48
Naproxène	140 ± 20 %	20 ng/L	96,09	95,83
Ibuprofène	400 ± 20 %	60 ng/L	95,44	95,13
TCCP	5 000 ± 20 %	700 ng/L	92,78	92,59
TCEP	5 000 ± 20 %	700 ng/L	96,62	96,55
Phénytoïne	200 ± 20 %	30 ng/L	95,6	95,12
COV**	0,300 mg/L ± 10 %	0,015 mg/L	> 99,58	> 96,21

Paramètres de tests : pH = 7,5 ± 0,5 à moins d'indications contraires. Débit = 0,52 gpm (1,97 Lpm). Pression = 60 lb/po² (413,7 kPa).
Température = 68 °F à 71,6 °F (20 °C à 22 °C). Capacité de service nominale = 200 gal. (757 L) W11569863 avec PID, 100 gal. (379 L) W11569861 sans PID.

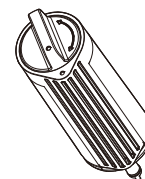
Les composés certifiés en vertu de la norme NSF 401 sont considérés comme appartenant à la catégorie des « composés émergents/contaminants secondaire ». Les composés émergents/contaminants secondaires ont été détectés à de faibles concentrations dans des sources d’approvisionnement en eau potable. Même s’ils n’apparaissent qu’à de faibles concentrations, ces composés peuvent influencer la perception et le niveau d’acceptation de la qualité de l’eau de consommation par le public.

- Il est essentiel que les exigences de fonctionnement, d’entretien et de remplacement de filtre soient respectées pour que ce produit donne le rendement annoncé. Des dommages à la propriété peuvent se produire lorsque les instructions ne sont pas toutes respectées.
- La cartouche jetable doit être changée au moins tous les 6 mois. Le média d’absorption dépensé ne sera pas régénéré et utilisé.
- Utiliser le remplacement EDRARXD1/B, WHRARXD1/B, KADARXD1/B, MAYARXD1/. Prix suggéré au détail en 2025 de 59,99 \$ US/69,99 \$ CAN. Les prix sont indiqués sous réserve de modification. Offert au www.everydropwater.com.
- Le système de contrôle du filtre mesure la quantité d’eau qui passe par le filtre et indique quand remplacer le filtre. Pour savoir comment vérifier l’état du filtre, consulter « Utiliser les commandes » ou « Système de filtration d’eau » dans les instructions d’utilisation ou le guide d’utilisation.
- Après avoir remplacé le filtre à eau, purger le système d’eau. Voir les sections « Distributeur d’eau et de glaçons » ou « Distributeur d’eau » dans les instructions d’utilisation ou le guide d’utilisation.
- Ces contaminants ne sont pas nécessairement présents dans l’approvisionnement d’eau. Même si le test a été effectué dans des conditions de laboratoires standard, le rendement réel peut varier.
- Le produit doit être utilisé pour l’eau froide seulement.
- Le circuit d’eau doit être installé conformément aux lois et règlements locaux et à ceux de la province concernée.
- La performance réelle peut varier puisque le test a été effectué sous des conditions de laboratoires standard.
- Ne pas utiliser ce produit pour filtrer une eau microbiologiquement polluée ou de qualité inconnue en l’absence d’un dispositif de désinfection adéquat en amont ou en aval du système. Les systèmes certifiés pour la réduction des kystes peuvent être utilisés pour une eau désinfectée susceptible de contenir des kystes filtrables. Étab. EPA no 85075-SG-001.
- Consulter la section « Garantie » (dans les instructions d’utilisation ou le guide d’utilisation) pour connaître la garantie limitée, le nom et le numéro de téléphone du fabricant.

Directives d’application/paramètres d’approvisionnement en eau

Source d’eau	Puits ou collectivité
Pression d’eau	30 à 120 lb/po ² (207 à 827 kPa)
Température de l’eau	33 °F à 100 °F (0,6 °C à 37,8 °C)
Débit nominal	0,52 gal/m (1,97 L/m) à 60 lb/po ² (413,7 kPa)

- Votre système de filtration de l’eau résistera à une pression d’eau allant jusqu’à 120 lb/po² (827 kPa). Si l’alimentation en eau est supérieure à 80 lb/po², installer un détendeur avant d’installer le système de filtration d’eau.
- Conforme à la norme NSF/ANSI 53 pour la réduction de COV. Voir le tableau ci-dessous pour les contaminants individuels et la performance de réduction.



*Classe I – taille des particules : > 0,5 µm à > 1 µm

**Cette performance COV compte pour le retrait de 39 contaminants selon le test COV indirect

†Sur la base de l’utilisation de microsphère de polystyrène

‡Filtres de longueur supérieure à 10 µm

La fiche de données relatives au rendement de la réduction des produits chimiques organiques est incluse dans le test indirect

Substance	Concentration dans l'eau à traiter (mg/l)	Limite permise de concentration du produit dans l'eau (mg/l)
Alachlore	0,050	0,001
Atrazine	0,100	0,003
Benzène	0,081	0,001
Carbofurane	0,190	0,001
Tétrachlorure de carbone	0,078	0,001 8
Chlorobenzène	0,077	0,001
Chloropicrine	0,015	0,000 2
2,4-d	0,110	0,001 7
1,2-dibromo-3-chloropropane (DBCP)	0,052	0,000 02
O-dichlorobenzène	0,080	0,001
p-dichlorobenzène	0,040	0,001
1,2-dichloroéthane	0,088	0,004 8
1,1-dichloroéthène	0,083	0,001
Cis-1,2-dichloroéthène	0,170	0,000 5
Trans-1,2-dichloroéthène	0,086	0,001
1,2-dichloropropane	0,080	0,001
Cis-1,3-dichloropropène	0,079	0,001
Dinosèbe	0,170	0,002
Endrin	0,053	0,000 59
Éthylbenzène	0,088	0,001
1,2-Dibromoéthane (EDB)	0,044	0,000 02
Haloacétonitriles (HAN)		
Bromochloroacétonitrile	0,022	0,000 5
Dibromoacétonitrile	0,024	0,000 6
Dichloroacétonitrile	0,009 6	0,000 2
Trichloroacétonitrile	0,015	0,000 3
Halocétones (HK)		
1,1-dichloro-2-propanone	0,007 2	0,000 1
1,1,1-trichloro-2-propanone	0,008 2	0,000 3
Heptachlore	0,025	0,000 01
Époxyde d'heptachlore	0,010 7	0,000 2
Hexachlorobutadiène	0,044	0,001
Hexachlorocyclopentadiène	0,060	0,000 002
Lindane	0,055	0,000 01
Méthoxychlore	0,050	0,000 1
Pentachlorophénol	0,096	0,001

Simazine	0,120	0,004
Styrène	0,150	0,000 5
1,1,2,2-tétrachloroéthane	0,081	0,001
Tétrachloroéthène	0,081	0,001
Toluène	0,078	0,001
2,4,5-TP (Silvex)	0,270	0,001 6
Acide tribromoacétique	0,042	0,001
1,2,4-trichlorobenzène	0,160	0,000 5
1,1,1-trichloroéthane	0,084	0,004 6
1,1,2-trichloroéthane	0,150	0,000 5
Trichloréthylène	0,180	0,001 0
Trihalogénométhanés (incluant) Chloroforme (chimique auxiliaire) Bromoforme Bromodichlorométhane Chlorodibromométhane	0,300	0,015
Xylènes (total)	0,070	0,001

Assistance client **1 800 442-9991**
par Whirlpool Corporation
2000 North M63
Benton Harbor, MI 49022

SEGURIDAD DEL REFRIGERADOR

Su seguridad y la de los demás son muy importantes.

Hemos incluido muchos mensajes importantes de seguridad en este manual y en su electrodoméstico. Lea y obedezca siempre todos los mensajes de seguridad.



Este es el símbolo de advertencia de seguridad.

Este símbolo le llama la atención sobre peligros potenciales que pueden ocasionar la muerte o una lesión a usted y a los demás.

Todos los mensajes de seguridad irán a continuación del símbolo de advertencia de seguridad y de la palabra "PELIGRO" o "ADVERTENCIA". Estas palabras significan:

▲ PELIGRO

Usted puede morir o sufrir una lesión grave si no sigue de inmediato las instrucciones.

▲ ADVERTENCIA

Si no sigue las instrucciones, puede morir o sufrir una lesión grave.

Todos los mensajes de seguridad le dirán cuál es el peligro potencial, cómo reducir las posibilidades de sufrir una lesión y lo que puede suceder si no se siguen las instrucciones.

INSTRUCCIONES IMPORTANTES DE SEGURIDAD

ADVERTENCIA: Para reducir el riesgo de incendio, choque eléctrico o lesiones personales al usar el electrodoméstico, siga precauciones básicas, entre ellas las siguientes:

- Los niños deben estar bajo supervisión para garantizar que no jueguen con el electrodoméstico.
- Este electrodoméstico no se diseñó para ser usado por personas (incluidos niños) con capacidad física, sensorial o mental reducida, o con falta de experiencia y conocimiento, a menos que una persona responsable de su seguridad les brinde supervisión o instrucciones relativas al uso del electrodoméstico.
- No utilice un cable de extensión.
- Si el cable de suministro eléctrico está dañado, el fabricante, su servicio técnico o personas calificadas idóneas deben reemplazarlo para evitar cualquier riesgo.
- Conecte solamente al suministro de agua potable.
- Este electrodoméstico está diseñado para uso doméstico y aplicaciones similares, como áreas de cocina para el personal en tiendas, oficinas y otros entornos de trabajo; granjas; por parte de clientes en hoteles, moteles y otros entornos residenciales; posadas, servicios de comida y aplicaciones similares que no sean de venta al por menor.
- No guarde en este electrodoméstico sustancias explosivas, como latas en aerosol con propelente inflamable.
- Utilice los nuevos juegos de mangueras suministrados con el electrodoméstico y no reutilice los juegos de mangueras anteriores.
- No use piezas de repuesto que no hayan sido recomendadas por el fabricante (por ejemplo, piezas hechas en casa con una impresora 3D).
- Mantenga las aberturas de ventilación, en el gabinete del electrodoméstico o en la estructura integrada, libres de obstrucciones.
- No use dispositivos mecánicos ni otros medios para acelerar el proceso de descongelación, sino solo los recomendados por el fabricante.
- No dañe el circuito de refrigerante.
- No use aparatos eléctricos dentro de los compartimientos de almacenamiento de alimentos del electrodoméstico, a menos que sean del tipo recomendado por el fabricante.
- Se puede agregar el juego de fábrica de hielo en algunos modelos. Consulte la etiqueta del número de serie en el interior del compartimento de alimentos para obtener información sobre el modelo del juego de fábrica de hielo.
- La línea de agua y la fábrica de hielo deben ser instaladas por un técnico de servicio calificado. Consulte las instrucciones de instalación proporcionadas con el juego de fábrica de hielo para ver los detalles completos.
- Cuando ubique el electrodoméstico, cerciórese de que el cable no quede atrapado o esté dañado.
- No ubique varios enchufes portátiles o suministros eléctricos portátiles en la parte trasera del electrodoméstico.

CONSERVE ESTAS INSTRUCCIONES

Cómo deshacerse adecuadamente de su refrigerador anterior

ADVERTENCIA: Existe el riesgo de que los niños puedan quedar atrapados. Antes de tirar su viejo refrigerador o congelador:

- Retire las puertas.
- Deje los estantes en su lugar para que los niños no puedan introducirse con facilidad.

⚠ **ADVERTENCIA**

Peligro de asfixia

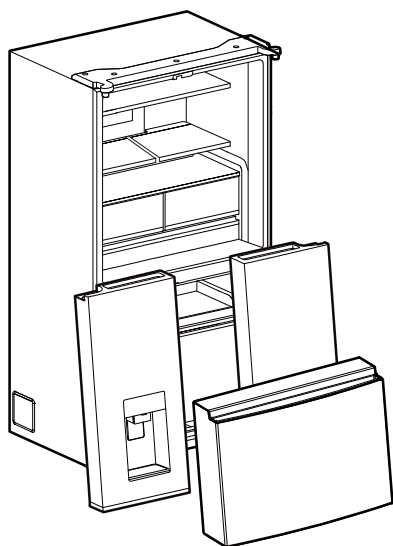
Quite las puertas o la tapa de su electrodoméstico viejo.

No seguir esta instrucción puede ocasionar la muerte o daño al cerebro.

IMPORTANTE: Los niños que quedan atrapados y la asfixia no son problemas del pasado. Los congeladores o los refrigeradores tirados y abandonados son un peligro, incluso si van a quedar ahí "por unos pocos días". Si está por deshacerse de su refrigerador o congelador viejo, siga estas instrucciones para ayudar a prevenir accidentes.

Información importante para saber acerca del desecho de refrigerantes:

Deshágase del refrigerador siguiendo los reglamentos federales y locales. Los refrigerantes deberán ser evacuados por un técnico certificado en refrigeración por EPA según los procedimientos establecidos.



CUIDADO DEL REFRIGERADOR

Limpieza

⚠ **ADVERTENCIA**



Peligro de explosión

Riesgo de incendio o explosión.

Refrigerante inflamable utilizado.

No use dispositivos mecánicos para descongelar el refrigerador.

No perforo la tubería del refrigerante.

Tanto la sección del refrigerador como la del congelador se descongelan automáticamente. No obstante, limpie ambas secciones más o menos una vez al mes para evitar la acumulación de olores. Limpie los derrames inmediatamente.

IMPORTANTE:

- Debido a que el aire circula entre todas las secciones, cualquier olor que se forme en una sección pasará a la otra. Debe limpiar cuidadosamente todas las secciones para eliminar olores. Para evitar la transferencia de olores y la deshidratación de los alimentos, envuélvalos o tápelos herméticamente.
- No use productos de limpieza abrasivos o fuertes, como aerosoles para ventanas, productos de limpieza para pulir, líquidos inflamables, ácido muriático, ceras para limpieza, detergentes concentrados, blanqueadores o productos de limpieza que contengan productos derivados de petróleo en puertas y gabinete, partes de plástico, revestimientos interiores y de puertas o juntas. No use toallas de papel, estropajos para fregar ni otros utensilios de limpieza abrasivos.
- Para los modelos de acero inoxidable, este tipo de acero es resistente a la corrosión y no a prueba de ella. Para ayudar a evitar la corrosión del acero inoxidable, mantenga las superficies limpias, siguiendo las instrucciones de limpieza que figuran a continuación.

Limpieza de la pantalla táctil:

1. Para evitar cambiar los ajustes accidentalmente, asegúrese que el refrigerador esté desconectado o que se haya desconectado el suministro eléctrico antes de limpiar la pantalla.
2. Mezcle una solución de detergente suave en agua tibia. Humedezca un paño suave que no deje pelusa con la solución y limpie la pantalla cuidadosamente.
NOTA: No rocíe ni limpie líquidos directamente sobre la pantalla, ni empape el paño demasiado.
3. Enchufe el refrigerador o reconecte el suministro de energía.

Limpeza del interior

IMPORTANTE: Los estantes del refrigerador con iluminación LED debajo del estante no son aptos para lavavajillas.

1. Desenchufe el refrigerador o desconecte el suministro de energía.
2. Lave a mano, enjuague y seque bien las piezas desmontables y las superficies interiores. Use una esponja limpia o un paño suave y agua tibia con detergente suave.
3. Enchufe el refrigerador o vuelva a conectar el suministro de energía.

Limpeza del exterior

IMPORTANTE: La garantía no cubre los daños al acabado liso debidos al uso inadecuado de productos de limpieza o de productos no recomendados. Los utensilios afilados o de punta roma estropearán el acabado.

1. Desenchufe el refrigerador o desconecte el suministro de energía.
2. Con una esponja o paño suave y una solución de detergente suave y agua tibia, lave, enjuague y seque a fondo el exterior de acero inoxidable y metal pintado. Para mantener el aspecto de nuevo de su refrigerador de acero inoxidable y para quitar marcas o arañazos pequeños, se sugiere usar el limpiador y pulidor para acero inoxidable aprobado por el fabricante. Este limpiador es únicamente para piezas de acero inoxidable. Para obtener información sobre cómo realizar pedidos, consulte la Guía rápida de inicio.

NOTA: Cuando limpie el acero inoxidable, siempre hágalo en la dirección de la veta para evitar rayones.

No permita que el limpiador y pulidor para acero inoxidable entre en contacto con ninguna pieza plástica, como piezas decorativas, cubiertas de dosificadores o juntas de puertas. Si se produce un contacto accidental, limpie la pieza plástica con una esponja y detergente suave en agua tibia. Secar bien con un paño suave.

3. Enchufe el refrigerador o vuelva a conectar el suministro de energía.

Vea la información relativa a la limpieza del exterior que sea específica para su modelo.

Estilo 1: Puerta lisa/Metal pintado

USE	NO USE
<ul style="list-style-type: none"> ■ Paño suave y limpio 	<ul style="list-style-type: none"> ■ Paños abrasivos ■ Toallas de papel o papel de diario ■ Estropajo de lana de acero
<ul style="list-style-type: none"> ■ Agua tibia jabonosa con un detergente suave 	<ul style="list-style-type: none"> ■ Polvos o líquidos abrasivos ■ Rociadores para ventana ■ Amoniaco ■ Limpiadores de base de ácido o vinagre ■ Limpiadores para horno ■ Líquidos inflamables

NOTA: Las toallas de papel rayan y pueden opacar el revestimiento transparente de la puerta pintada. Para evitar posibles daños, use solo paños suaves y limpios para lustrar y limpiar la puerta.

Estilo 2: Acero inoxidable

USE	NO USE
<ul style="list-style-type: none"> ■ Paño suave y limpio 	<ul style="list-style-type: none"> ■ Paños abrasivos ■ Toallas de papel o papel de diario ■ Estropajo de lana de acero
<ul style="list-style-type: none"> ■ Agua tibia jabonosa con un detergente suave 	<ul style="list-style-type: none"> ■ Polvos o líquidos abrasivos ■ Amoniaco ■ Limpiadores de base cítrica ■ Limpiadores de base de ácido o vinagre ■ Limpiadores para horno
<ul style="list-style-type: none"> ■ Para la suciedad rebelde, use solo el limpiador y pulidor para acero inoxidable aprobado por el fabricante 	<ul style="list-style-type: none"> ■ Polvos o líquidos abrasivos ■ Amoniaco ■ Limpiadores de base cítrica ■ Limpiadores de base de ácido o vinagre ■ Limpiadores para horno ■ Paños abrasivos ■ Toallas de papel o papel de diario ■ Estropajo de lana de acero

NOTA:

- Si se produce un contacto accidental, limpie la pieza plástica con una esponja y detergente suave en agua tibia. Seque meticulosamente con un paño suave.
- Evite exponer los electrodomésticos de acero inoxidable a elementos cáusticos o corrosivos, como ambientes con altas concentraciones de sal, agua o humedad. La garantía no cubre los daños debidos a la exposición a estos elementos.
- Solo porque un producto de limpieza es líquido no significa que no es abrasivo. Muchos limpiadores líquidos formulados para tener una acción suave sobre las baldosas y las superficies lisas igualmente dañan el acero inoxidable.
- Cuando limpie el acero inoxidable, siempre hágalo en la dirección de la veta para evitar rayones.
- El ácido cítrico produce cambios permanentes en el color del acero inoxidable. Para evitar dañar el acabado del refrigerador de acero inoxidable:

No permita que estas sustancias permanezcan en el acabado:

- Mostaza
- Jugo de tomate
- Salsa marinera
- Salsas cítricas
- Productos cítricos

Limpeza del condensador

⚠ ADVERTENCIA



Peligro de explosión

Riesgo de incendio o explosión a causa de la perforación de la tubería del refrigerante

Siga con cuidado las instrucciones de manipulación.

Refrigerante inflamable utilizado.

No se necesita una limpieza rutinaria del condensador en ambientes de funcionamiento de casas normales. Si el ambiente es particularmente grasoso o polvoriento, o si hay un tránsito importante de mascotas en el hogar, el condensador deberá limpiarse cada 6 meses para asegurar la máxima eficiencia.

1. Desenchufe el refrigerador o desconecte el suministro de energía.
2. Quite la rejilla de la base.
3. Use una aspiradora con un cepillo suave para limpiar la rejilla, las zonas abiertas detrás de la rejilla y la superficie frontal del condensador.
4. Vuelva a colocar la rejilla de la base cuando termine.
5. Enchufe el refrigerador o vuelva a conectar el suministro de energía.

NOTA: Si no puede limpiar el condensador, llame para pedir servicio técnico.

Cómo cambiar el foco

IMPORTANTE: Las luces del refrigerador y del congelador utilizan tecnología LED. Si las luces no se encienden cuando se abre la puerta o el cajón, llame para solicitar ayuda o servicio técnico. Consulte la Guía de inicio rápido para ver la información de contacto.

El sistema de iluminación de este electrodoméstico puede consistir de:

- Módulos LED sellados
- Bombillas LED
- Bombillas incandescentes
- O una combinación de las anteriores.

Estantes del refrigerador

Información importante para saber acerca de los estantes y tapas de vidrio:

No limpie los estantes y tapas de vidrio con agua caliente mientras estén fríos. Los estantes y tapas pueden romperse si se exponen a cambios bruscos de temperatura o a impactos, como sería un golpe brusco. El vidrio templado se ha diseñado para hacerse añicos. Esto es normal. Los estantes y tapas de vidrio son muy pesados. Use ambas manos al sacarlos para evitar que se caigan.

Los estantes de su refrigerador son ajustables para adaptarse a sus necesidades individuales de almacenamiento.

Si se guardan alimentos similares juntos en el refrigerador y se ajustan los estantes para que se adapten a las diferentes alturas de los artículos, será más fácil encontrar exactamente el artículo que se desea. Asimismo, se reducirá el tiempo que la puerta del refrigerador permanece abierta y se ahorrará energía.

Estantes de vidrio

Para quitar un estante:

1. Quite los artículos del estante.
2. Deslice el estante en sentido recto hacia afuera, hasta el tope.
3. Según el modelo, levante la parte posterior o delantera del estante hasta pasar el tope. Jale el resto del estante completamente hacia afuera.

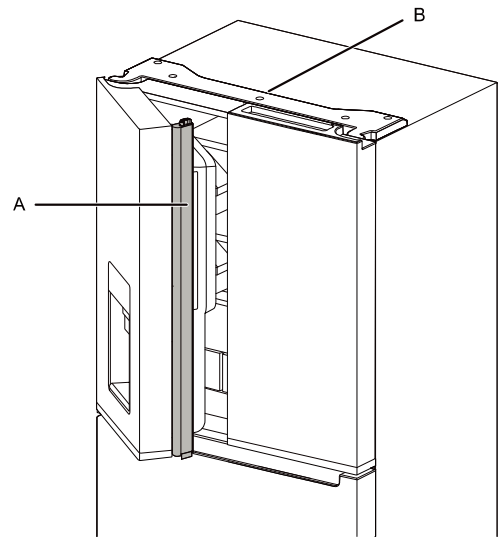
Cómo abrir y cerrar las puertas

El compartimiento del refrigerador tiene dos puertas. Las puertas pueden abrirse y cerrarse por separado o juntas.

Hay una junta con bisagras verticales en la puerta izquierda del refrigerador.

- Cuando se abre la puerta izquierda, la junta con bisagras se pliega automáticamente hacia adentro para quedar fuera del paso.
- Cuando ambas puertas están cerradas, la junta con bisagras forma automáticamente un sello entre las dos puertas.

NOTA: Cuando cierra la puerta, el sello con bisagras debería estar en la posición correcta (estar doblada en el interior). De lo contrario, tocará la puerta derecha o el eje de fijación.



A. Junta con bisagras
B. Tapa abatible

El interruptor de la puerta del compartimiento del refrigerador está ubicado en la cubierta de la bisagra del lado superior izquierdo y derecho.

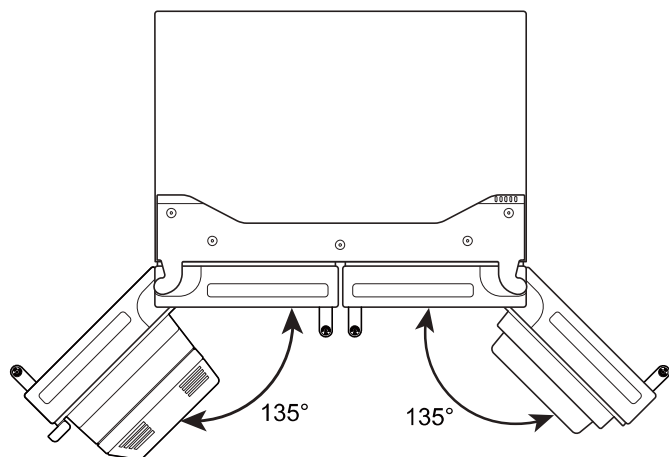
- Para el espacio del congelador, el interruptor de la puerta se encuentra en el soporte inferior izquierdo.
- El interruptor de la puerta usa imanes para detectar la apertura y el cierre de la puerta.
- Asegúrese de que no haya imanes ni dispositivos electrónicos (altavoces) a 3 pulgadas de la cubierta de la bisagra.

NOTA: La luz y la interfaz de usuario interna (UI) no se encenderán si no se detecta la apertura de la puerta.

Ajuste de altura del medio estante

La altura del medio estante se puede ajustar cambiando su ubicación del soporte inferior al soporte superior y viceversa.

- Abra la puerta lateral derecha y la puerta lateral izquierda hasta 135°.
- Consulte la sección "Estantes, depósitos y cajones" para más detalles.



El despachador de hielos (en algunos modelos)

IMPORTANTE:

- Si los cubos de hielo están huecos o tienen una forma irregular, podría deberse a una baja presión de agua. Consulte la sección "Requisitos de suministro de agua".
- El hielo pasa desde el depósito de almacenamiento de hielo a través del conducto del despachador hasta llegar a este. Para apagar la fábrica de hielo, consulte la sección "Fábrica de hielo y depósito".
- El despachador puede seguir emitiendo ruidos y puede continuar el despacho de hielo varios segundos después de que se suelte el botón o la paleta del despachador.

Para limpiar el conducto del despachador de hielo:

La humedad hace que el hielo se aglutine naturalmente. Las partículas de hielo pueden acumularse hasta que el conducto del despachador de hielo se bloquee.

Si no se despacha hielo con regularidad, tal vez sea necesario vaciar el depósito y limpiar el conducto de salida de hielo, el depósito y el área debajo éste cada 2 semanas.

- Si es necesario, quite el hielo atascado en el recipiente de almacenamiento y en el conducto de salida con un utensilio plástico.
- Limpie el conducto de salida y la base del depósito de hielo con un paño humedecido con agua tibia y, después, seque meticulosamente.

Para despachar hielo - Paleta despachadora

⚠ ADVERTENCIA



Peligro de cortaduras

Use un vaso resistente para recibir hielo del despachador.

No seguir esta instrucción puede ocasionar cortaduras.

1. Para seleccionar el tipo de hielo deseado, presione CUBED ICE (CUBOS DE HIELO) o CRUSHED ICE (HIELO PICADO).
2. Coloque un vaso resistente contra la paleta del despachador. Sostenga el vaso junto a la abertura del despachador para que el hielo no caiga fuera del vaso.
IMPORTANTE: No es necesario aplicar mucha presión sobre la paleta para activar el despachador de hielo. Si presiona fuerte no se acelerará el despachador ni se producirá una mayor cantidad de hielo.
3. Retire el vaso para detener el despacho.
NOTA: El hielo puede continuar saliendo durante varios segundos después de haber retirado el vaso de la paleta del despachador. El despachador puede continuar haciendo ruido durante algunos segundos después de finalizar.

La luz del despachador (en algunos modelos)

- Cuando utilice el despachador, las luces se encenderán automáticamente.

Cuidado durante las vacaciones y las mudanzas

Vacaciones

Si decide dejar el refrigerador encendido mientras está ausente:

1. Use todos los artículos perecederos y congele el resto.
2. Presione el botón de Modo y elija el modo Vacation (Vacaciones).
3. Si el refrigerador tiene una fábrica de hielo automática y está conectado al suministro de agua de la casa, cierre el suministro de agua al refrigerador. Si no se cierra el suministro de agua, pueden producirse daños a la propiedad.
4. Si tiene una fábrica de hielo automática, apáguela.
 - Apague la máquina de fabricación hielo.
5. Vacíe el depósito de hielo.

Si decide apagar el refrigerador antes de irse:

1. Saque toda la comida del refrigerador.
2. Si el refrigerador tiene fábrica de hielo automática:
 - Cierre el suministro de agua a la fábrica de hielo por lo menos un día antes.
 - Cuando caiga la última carga de hielo, presione el interruptor a la posición OFF (APAGADO), ya sea en la fábrica de hielo o en el control de la interfaz de usuario, según su modelo.
3. Vacíe el depósito de hielo.

4. Limpie el refrigerador, pásele un paño y séquelo bien.
5. Fije bloques de goma o de madera con cinta adhesiva en la parte superior de ambas puertas para que queden abiertas y el aire circule. Esto evita que se formen olores y que crezcan hongos.

NOTA: En el modo de vacaciones, no funcionan los despachadores de agua y hielo.

Mudanza

Si va a mudar el refrigerador a una casa nueva, siga estos pasos para prepararlo para la mudanza.

1. Si el refrigerador tiene fábrica de hielo automática:
 - Cierre el suministro de agua a la fábrica de hielo por lo menos un día antes.
 - Desconecte la línea de agua de atrás del refrigerador.
 - Cuando caiga la última carga de hielo, presione el interruptor a la posición OFF (APAGADO), ya sea en la fábrica de hielo o en el control de la interfaz de usuario, según su modelo.
2. Saque toda la comida del refrigerador y empaque todos los alimentos congelados en hielo seco.
3. Vacíe el depósito de hielo.
4. Desenchufe el refrigerador.
5. Limpie, enjuague y seque meticulosamente.
6. Retire todas las piezas desmontables, envuélvalas bien y asegúrelas con cinta adhesiva para que no se sacudan durante la mudanza.
7. Según el modelo, levante la parte delantera del refrigerador para que ruede con facilidad, o bien, levante las patas niveladoras para no rayar el suelo. Consulte "Nivelación y alineación de puertas".
8. Pegue las puertas cerradas y pegue el cable a la parte posterior del refrigerador con cinta adhesiva.

Cuando llegue a la casa nueva, coloque todo de nuevo y lea las Instrucciones de instalación para ver instrucciones de preparación. Además, si el refrigerador tiene fábrica de hielo automática, recuerde volver a conectar el suministro de agua al refrigerador.

INSTRUCCIONES DE INSTALACIÓN

Cómo empezar

Lista de control de la instalación

Puertas

- Si necesita retirar las puertas durante la instalación, consulte las secciones "Cómo retirar y volver a colocar las puertas del refrigerador" y "Cómo retirar y volver a colocar las puertas delanteras del congelador".
- Las puertas tienen un cierre hermético completo.
- Ajuste los pies de nivelación para que queden bien apoyados contra el suelo.
- Las puertas están parejas en la parte superior. (Use la función de alineación de las puertas si es necesario.)

Revisiones finales

- Extraiga todo el material de transporte.
- Fije los controles de temperatura en el ajuste recomendado.
- Guarde las instrucciones y otros materiales impresos.

Para recibir una asistencia más completa, registre su producto, consulte la Guía de inicio rápido para obtener más información.

Desembalaje del refrigerador

⚠️ ADVERTENCIA

Peligro de peso excesivo

Use dos o más personas para mover e instalar o desinstalar el electrodoméstico.

No seguir esta instrucción puede ocasionar lesiones en la espalda o de otro tipo.

Entrega del refrigerador

- Se requiere una apertura mínima de la puerta de 33" (838 mm). Si la apertura de la puerta es de 36" (914 mm) o menos, será necesario retirar las puertas, los cajones y las bisagras.
- Traslade el refrigerador por el lado de las aperturas de puerta.

Cómo retirar el material de embalaje

- Retire los restos de cinta y pegamento de las superficies del refrigerador antes de encenderlo. Frote con los dedos un poco de detergente líquido para vajilla sobre el pegamento. Limpie con agua tibia y seque.
- No use instrumentos filosos, alcohol isopropílico, líquidos inflamables o limpiadores abrasivos para eliminar los restos de cinta o de adhesivo. Esos productos pueden dañar la superficie de su refrigerador. Para más información, consulte "Seguridad del refrigerador".
- Deseche o recicle todo el material de embalaje.

Cuando mueva el refrigerador:

El refrigerador es pesado. Cuando mueva el refrigerador para la limpieza o para darle servicio, cerciórese de cubrir el piso con cartón o madera para evitar daños en él. Al mover el refrigerador, siempre tire en línea recta hacia afuera. No menee el refrigerador de lado a lado ni lo haga "caminar" cuando lo trate de mover ya que podría dañar el suelo.

Limpieza antes del uso

Una vez que haya quitado todos los materiales de empaque, limpie el interior de su refrigerador antes de usarlo. Consulte las instrucciones de limpieza en "Cuidado de su refrigerador".

Información importante acerca de los estantes y las cubiertas de vidrio:

No limpie los estantes y las cubiertas de vidrio con agua caliente mientras estén fríos. Los estantes y tapas pueden romperse si se exponen a cambios bruscos de temperatura o a impactos, como sería un golpe brusco. El vidrio templado se ha diseñado para hacerse añicos. Esto es normal. Los estantes y tapas de vidrio son muy pesados. Use ambas manos al sacarlos para evitar que se caigan.

Requisitos de ubicación

⚠️ ADVERTENCIA



Peligro de explosión

Mantenga los materiales y vapores inflamables, como la gasolina, alejados del electrodoméstico.

Use un limpiador no inflamable.

No seguir esta instrucción puede ocasionar la muerte, explosión o incendio.

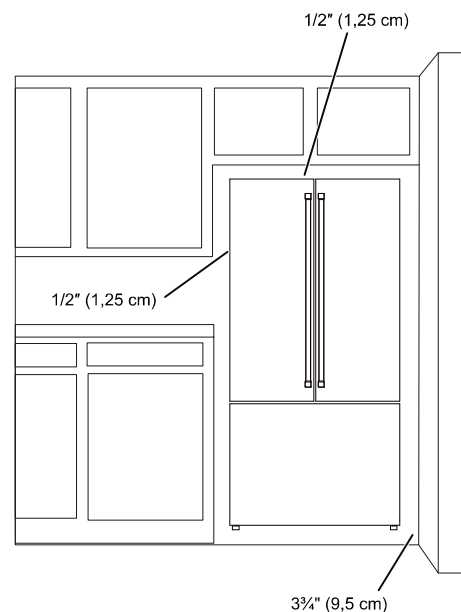
IMPORTANTE: Este electrodoméstico se ha diseñado para uso en un entorno doméstico y aplicaciones similares como las siguientes:

- En granjas y por clientes de hoteles, moteles y otros ambientes de tipo residencial.
- Ambientes de alojamiento.
- Aplicaciones en banquetería y otros negocios no minoristas.

NOTA: Si el fabricante quiere limitar el uso del electrodoméstico a menos de lo anterior, esto se tiene que indicar claramente en las instrucciones.

Para garantizar una ventilación adecuada de su congelador, deje un espacio de 1/2" (1,25 cm) a cada lado y de 1/2" (1,25 cm) en la parte superior. Deje un espacio de 2" (5 cm) detrás del refrigerador. Si el refrigerador tiene una fábrica de hielo, asegúrese de que haya espacio adicional detrás para las conexiones de la línea de agua. Cuando instale el refrigerador próximo a una pared fija, deje un espacio mínimo de 3 3/4" (9,5 cm) entre el refrigerador y la pared, para permitir que la puerta se abra bien.

NOTA: Este refrigerador ha sido diseñado para usarse en un lugar en donde los rangos de temperatura varíen entre un mínimo de 50 °F (10 °C) y un máximo de 110 °F (43 °C). Para un óptimo rendimiento, el rango preferido de temperatura ambiente (que reduce el consumo de electricidad y provee un enfriamiento superior) es entre 60 °F (15 °C) y 90 °F (32 °C). No se recomienda instalar el refrigerador cerca de una fuente de calor, como un horno o un radiador.



Requisitos eléctricos

⚠ ADVERTENCIA



Peligro de Choque Eléctrico

Conecte a un tomacorriente con conexión a tierra de 3 terminales.

No quite el terminal de conexión a tierra.

No use un adaptador.

No utilice un cable de extensión.

No seguir estas instrucciones puede ocasionar la muerte, un incendio o un choque eléctrico.

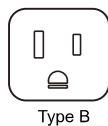
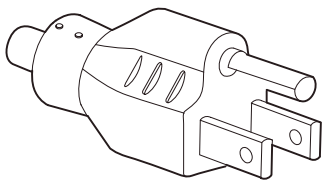
IMPORTANTE: La instalación y la conexión eléctrica deberán ser llevadas a cabo por parte de un técnico competente, siguiendo las instrucciones del fabricante y cumpliendo con los reglamentos locales de seguridad.

- El refrigerador está diseñado para funcionar en un circuito separado de 115 V, 60 Hz.
- Cerciórese de que la tensión especificada en la placa de clasificación corresponda con la de su hogar.
- Deberá ser posible desconectar el aparato del suministro de energía desenchufándolo o por medio de un interruptor de dos terminales instalado arriba del casquillo.
- Si se daña el cable de suministro eléctrico, deberá sustituirlo el fabricante, su agente de servicios o una persona calificada para evitar peligros.
- No use un cable que presente grietas o daño por desgaste en el largo el enchufe o la punta del conector.

Antes de mover el refrigerador a su ubicación final, es importante asegurarse de tener la conexión eléctrica adecuada.

Método de conexión a tierra recomendado

Se requiere un suministro eléctrico de 115 V, 60 Hz, solo CA, 15 A o 20 A con fusible y conexión a tierra. Se recomienda proporcionar un circuito de alimentación separado que preste servicio solo al refrigerador y a los accesorios aprobados. Utilice un tomacorriente que no se pueda apagar con un interruptor. No utilice un cable de extensión.



Type B

IMPORTANTE: Si este producto está conectado a un tomacorriente equipado con interruptor de circuito de falla eléctrica de puesta a tierra (GFCI), puede ocurrir un disparo molesto del suministro eléctrico, lo que generará pérdida de refrigeración. Esto puede afectar la calidad y el sabor de los alimentos. Si ha ocurrido un disparo molesto, y el alimento parece estar en malas condiciones, deséchelo.

NOTA: Antes de realizar cualquier tipo de instalación, limpie o de quite un foco de luz, apague el enfriamiento o gire el control (del termostato, del refrigerador o del congelador según el modelo) hasta la posición Off (Apagado). En los modelos con un control de temperatura digital, presione los botones táctiles con el signo menos varias veces hasta que aparezca una raya (-) en las pantallas del refrigerador y del congelador. Desconecte el refrigerador de la fuente de suministro eléctrico. Cuando haya terminado, reconecte el refrigerador a la fuente de energía eléctrica y encienda el enfriamiento o vuelva a ajustar el control (del termostato, del refrigerador o del congelador según el modelo) en la posición deseada. Consulte "Guía de inicio rápido"

Requisitos del suministro de agua

Reúna las herramientas y las piezas necesarias antes de comenzar la instalación. Lea y siga las instrucciones provistas con cualquiera de las herramientas detalladas aquí.

Herramientas necesarias:

- Destornillador de cabeza plana
- Llave para tuercas de 1/4"
- Llaves de extremo abierto de 7/16" y 1/2" o dos llaves ajustables
- Broca de 1/4"
- Taladro inalámbrico
- Conecte solamente al suministro de agua potable. No use con agua que no sea microbiológicamente segura o que sea de calidad desconocida sin desinfectarla adecuadamente antes o después del sistema. Pueden usarse sistemas certificados para la reducción de partículas en aguas desinfectadas que puedan contener partículas filtrables.
- Todas las instalaciones deben hacerse de acuerdo con los requisitos locales de plomería.
- No use una válvula perforadora o una válvula de montura de 3/16" (4,76 mm) ya que reduce el flujo de agua y se obstruye con más facilidad.
- Use tubería de cobre o PEX y verifique si hay fugas. Instale tubería de cobre o PEX solo en zonas donde la temperatura vaya a permanecer por encima del punto de congelación.
- Para modelos con filtros de agua, el filtro de agua desechable deberá reemplazarse por lo menos cada 6 meses.

Presión de agua

Se necesita un suministro de agua fría con presión de agua entre 20 psi y 120 psi (138 kPa y 827 kPa) para hacer funcionar el despachador de agua y la fábrica de hielo. Si tiene preguntas acerca de la presión del agua, llame a un plomero competente calificado.

NOTA: Si la presión de agua es menor que lo requerido, el flujo de agua del despachador de agua podría disminuir o los cubos de hielo podrían ser huecos o de tamaño irregular.

Suministro de agua por ósmosis inversa

IMPORTANTE: La presión del suministro de agua que sale de un sistema de ósmosis inversa y va a la válvula de entrada de agua del congelador tiene que estar entre 20 psi y 120 psi (138 kPa y 827 kPa).

Si el sistema de filtrado de agua por ósmosis inversa está conectado al suministro de agua fría, la presión de agua para el sistema de ósmosis inversa debe ser, como mínimo, de 40 psi a 60 psi (276 kPa a 414 kPa).

Si la presión del agua que llega al sistema de ósmosis inversa es inferior a 40 psi a 60 psi (276 kPa a 414 kPa):

- Verifique si el filtro de sedimentos del sistema de ósmosis inversa está bloqueado. Reemplácelo si es necesario.
- Deje que el depósito de almacenamiento del sistema de ósmosis inversa se rellene después de un uso intensivo. La capacidad del tanque podría ser demasiado pequeña para cumplir con los requisitos del refrigerador.

NOTA: No se recomiendan sistemas de ósmosis inversa para montar en el grifo.

- Si el refrigerador tiene un filtro de agua, puede reducir la presión aún más si se usa junto con un sistema de ósmosis inversa. Quite el filtro de agua. Consulte "Filtros y accesorios".

Si tiene preguntas acerca de la presión del agua, llame a un plomero competente matriculado.

Conexión del suministro de agua

Lea todas las instrucciones antes de comenzar.

IMPORTANTE:

- La tubería debe instalarse de acuerdo con el Código Internacional de Plomería y con cualquier norma y ordenanza local.
- El tubo de agua ubicado en la parte de atrás del refrigerador (que se usa para conectar a la línea de agua doméstica) es un tubo PEX (de polietileno reticulado). Las conexiones de tuberías de cobre y PEX de la línea de agua doméstica al refrigerador son aceptables y ayudarán a evitar el mal sabor o mal olor en el hielo o el agua. Revise si hay fugas. Si se usa tubería de PEX en lugar de cobre, recomendamos los siguientes números de pieza:
W10505928RP (7 pies [2,14 m] de PEX revestido),
8212547RP (5 pies [1,52 m] PEX),
or W10267701RP (25 pies [7,62 m] PEX).
- Instale la tubería solo en áreas donde la temperatura va a permanecer por encima del punto de congelación.
- Conecte solamente a un suministro de agua potable. No utilizar con agua que sea microbiológicamente insegura o de calidad desconocida sin una desinfección adecuada antes o después del sistema. Pueden usarse sistemas certificados para la reducción de partículas en aguas desinfectadas que puedan contener partículas filtrables.

Herramientas necesarias:

Reúna las herramientas y las piezas necesarias antes de comenzar la instalación.

- Destornillador de cabeza plana
- Llave para tuercas de 1/4"
- Llaves de extremo abierto de 7/16" y 1/2" o dos llaves ajustables
- Broca de 1/4"
- Taladro inalámbrico

NOTA: El distribuidor de su refrigerador tiene un kit disponible de válvula de cierre tipo montura de 1/4" (6,35 mm), una unión y una tubería de cobre o PEX. Antes de comprar, asegúrese de que la válvula tipo montura cumple con los códigos de plomería locales. No use una válvula perforadora o una válvula de montura de 3/16" (4,76 mm) ya que reduce el flujo de agua y se obstruye con más facilidad.

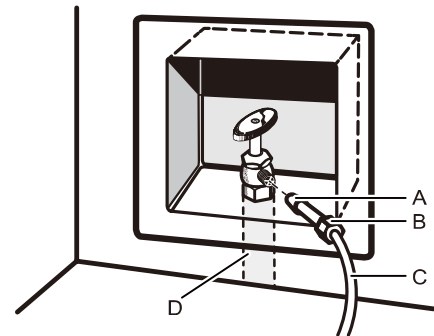
Cómo conectar a la línea de agua

IMPORTANTE: Si encendió el refrigerador antes de conectar la línea de agua, apague la fábrica de hielo.

1. Desenchufe el refrigerador o desconecte el suministro de energía.
2. Cierre el suministro principal de agua. Abra el grifo más cercano el tiempo suficiente para limpiar la línea de agua.

3. Use una válvula de cierre de un cuarto de vuelta o una equivalente, abastecida por una línea de PEX o de cobre de suministro de la casa de 1/2".

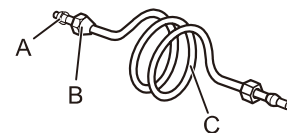
NOTA: Se recomienda una línea de cobre o PEX de suministro de la casa de un mínimo de 1/2" para permitir el flujo suficiente de agua al refrigerador.



- A. Foco
- B. Tuerca
- C. Tubería de cobre o PEX (al refrigerador)
- D. Línea de suministro doméstica (1/2" como mínimo)

4. Ahora está listo para conectar la tubería de cobre o de PEX a la válvula de cierre. Use tubería de 1/4" (6,35 mm) de D.E. (diámetro externo) de cobre blando o PEX para conectar la válvula de cierre y el refrigerador.

- Asegúrese de que tenga el largo adecuado para su uso. Asegúrese de que ambos extremos de la tubería de cobre tengan un corte recto.
- Deslice el manguito y la tuerca de compresión sobre la tubería de cobre como se muestra. (La tubería de PEX tiene mangas de compresión y tuercas de compresión preinstaladas.) Inserte el extremo de la tubería en el extremo de salida en ángulo recto hasta donde sea posible. Atornille la tuerca de compresión al extremo de salida con una llave ajustable. No ajuste demasiado.



- A. Manga de compresión
- B. Tuerca de compresión
- C. Tubería de cobre o PEX

5. Coloque el extremo libre de la tubería en un recipiente o un fregadero, abra el suministro principal del agua y deje correr agua por la tubería hasta que el agua salga limpia. Cierre la válvula de cierre del tubo de agua.

NOTA: Siempre vacíe la línea de agua antes de efectuar la conexión final a la entrada de la válvula de agua para evitar un posible mal funcionamiento de la válvula.

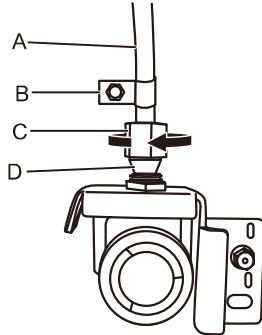
6. Doble la tubería de cobre o PEX para que llegue a la entrada de la línea de agua, que está en la parte posterior del gabinete del refrigerador, como se muestra. Deje una sección de tubería de cobre o PEX enrollada para que el refrigerador se pueda extraer del gabinete o alejar de la pared para realizar trabajos de servicio.

Conexión al refrigerador

Dependiendo de su modelo, la línea de agua puede descender desde la parte de arriba o ascender desde la parte de abajo. Siga las instrucciones de conexión específicas para su modelo.

Estilo 1

1. Saque la tapa de plástico del puerto de entrada de la válvula de agua. Fije el tubo de cobre o PEX a la entrada de la válvula con una tuerca y manguito de compresión, como se muestra. Apriete la tuerca de compresión. No ajuste demasiado. Jale la tubería de cobre o PEX para asegurarse de que esté firme.
2. Haga un lazo de servicio con la tubería de cobre. Evite las torceduras cuando enrolle la tubería. Asegure la tubería de cobre o PEX al gabinete del refrigerador con una abrazadera en P.



A. Tubería de cobre o PEX
B. Abrazadera en "P"
C. Tuerca de compresión
D. Manguito de compresión

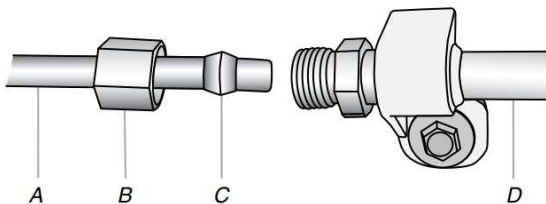
3. Abra el suministro de agua al refrigerador y revise si hay fugas de agua. Corrija cualquier fuga.
4. Si desea hielo, encienda la fábrica de hielo.

NOTA: Deje transcurrir 24 horas para la producción del primer lote de hielo. Deseche los tres primeros lotes de hielo producidos. Espere tres días para llenar por completo el depósito de almacenamiento de hielo.

Estilo 2

1. Desenchufe el refrigerador o desconecte el suministro de energía.
2. Retire y deseche la parte corta de plástico negro del extremo de la entrada de la línea de agua.
3. Enrosque la tuerca en el extremo de la tubería. Apriete la tuerca a mano. Luego apriétela dos vueltas más con una llave. No ajuste demasiado.

NOTA: Para evitar vibraciones, asegúrese de que la tubería de cobre no toque la pared lateral del gabinete ni otras partes dentro del gabinete.



A. Línea de agua de la casa
B. Tuerca (adquirida)
C. Férula (adquirida)
D. Tubería de agua del refrigerador

4. Instale la abrazadera para tubería de suministro de agua alrededor de la línea de suministro de agua, para reducir la tensión sobre el acoplamiento.
5. Abra la válvula de cierre.

6. Revise si hay fugas. Ajuste las conexiones (incluso las conexiones de la válvula) o las tuercas que tengan fugas.
7. En algunos modelos, la fábrica de hielo está equipada con un filtro de agua integrado. Si las condiciones del agua requieren un segundo filtro de agua, instálelo en la tubería de agua de 1/4" (6,35 mm) en cualquiera de las conexiones de los tubos. Obtenga un filtro de agua en el distribuidor de electrodomésticos más cercano a su domicilio.

Finalización de la instalación

⚠ ADVERTENCIA



Peligro de Choque Eléctrico

Conecte a un tomacorriente con conexión a tierra de 3 terminales.

No quite el terminal de conexión a tierra.

No use un adaptador.

No utilice un cable de extensión.

No seguir estas instrucciones puede ocasionar la muerte, un incendio o un choque eléctrico.

1. Conecte a un tomacorriente con conexión a tierra de 3 terminales.

NOTA: Deje transcurrir 24 horas para la producción del primer lote de hielo. Deseche los tres primeros lotes de hielo producidos. Espere 3 días para llenar por completo el depósito de almacenamiento de hielo.

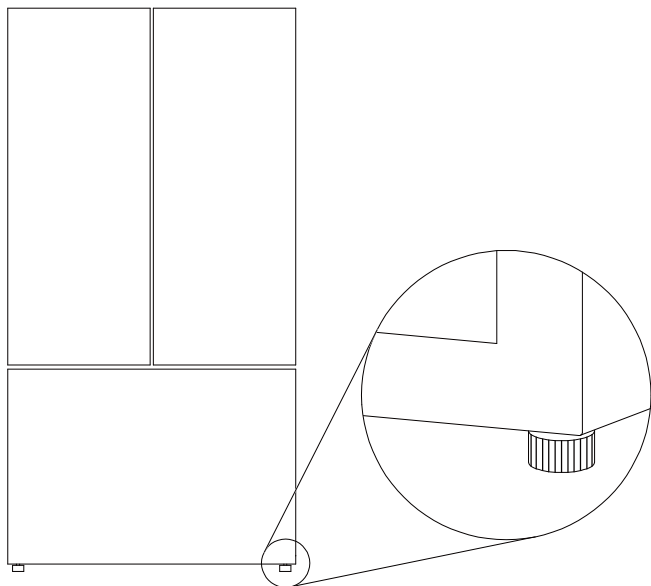
2. Enjuague el sistema de agua. Consulte "Despachadores de agua y hielo".

Nivelación y alineación de puertas

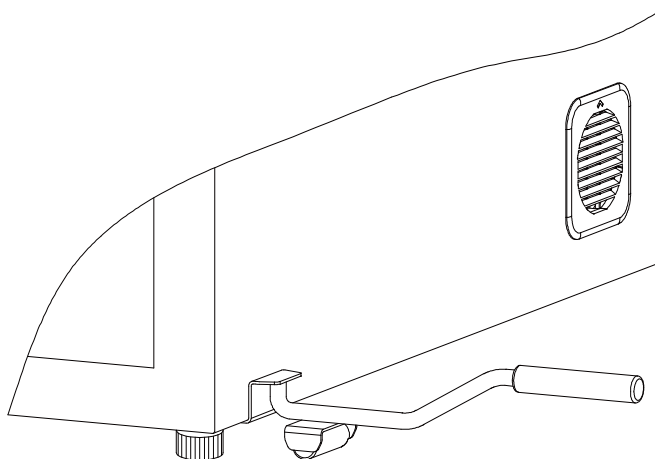
El refrigerador tiene dos patas niveladoras delanteras. Ajuste las patas para modificar la inclinación de adelante hacia atrás o de lado a lado.

Ajuste la inclinación del refrigerador siguiendo las instrucciones a continuación:

1. Gire la pata niveladora hacia la izquierda para levantar ese lado del refrigerador. Hacia el lado opuesto, puede bajar el refrigerador. Pueden ser necesarias varias vueltas para subir o bajar el refrigerador.
2. El rango de ajuste de las patas niveladoras es limitado. Si el desnivel del suelo es superior a 8 mm, pida ayuda al servicio técnico.
3. Si la puerta del lado izquierdo o derecho está más baja que del otro lado, ajuste la pata de nivelación para subir o bajar el refrigerador.



4. Use una herramienta doméstica para levantar el refrigerador según sea necesario. Esto facilitará el ajuste de las patas niveladoras.



USO DE LOS CONTROLES

Modo Sabbath (Sabbat)

- Desbloquee la interfaz de usuario. Consulte el artículo "Bloqueo de botones" para conocer más detalles.
- Para activar o apagar el Modo Sabbath (Sabbat), consulte el elemento "Botón Mode (Modo)" para más detalles.
- El modo Sabbath (Sabbat) permanece activo por 80 horas una vez que se activa. Después se desactivará automáticamente.
- Cuando el refrigerador está en modo Sabbath (Sabbat), los botones, la pantalla y las luces internas no funcionan. Sin embargo, el refrigerador y el congelador siguen enfriando.

USO DE SU REFRIGERADOR

Fábrica de hielo y depósito de hielo (en algunos modelos)

IMPORTANTE: Para evitar una baja producción de hielo y hielo de calidad deficiente, enjuague el sistema de agua antes de encender la fábrica de hielo. Consulte la sección "Despachador de agua".

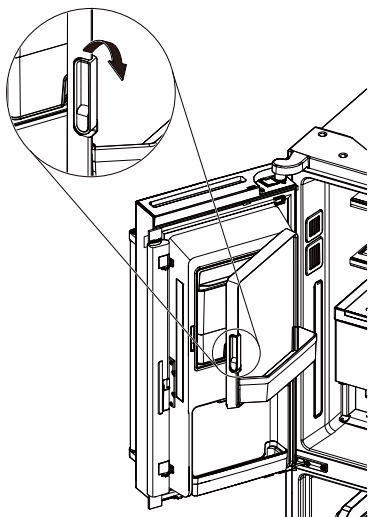
- Luego de la instalación, espere 24 horas para la producción del primer lote de hielo. Deseche los tres primeros lotes de hielo producidos. Espere de 2 a 3 días para volver a llenar el recipiente de almacenamiento de hielo.
- La calidad del hielo dependerá de la calidad del agua que suministre a su fábrica de hielo. Evite conectar la fábrica de hielo a un suministro de agua ablandada. Las sustancias químicas utilizadas para ablandar el agua (como la sal) pueden dañar componentes de la fábrica de hielo y producir hielo de calidad deficiente. Si no se puede evitar el uso de un suministro de agua ablandada, asegúrese de que el ablandador de agua esté funcionando correctamente y que reciba un buen mantenimiento.
- Si el hielo se aglomera en el depósito, rómpalo con un utensilio plástico y deséchelo. No use ningún instrumento afilado para romper el hielo. Esto puede dañar el depósito y el mecanismo de despacho.
- No guarde nada dentro del depósito de hielo.
- Los kits para fabricar hielo deberán ser instalados únicamente por el fabricante o sus técnicos de servicio.

Estilo 1: Fábrica de hielo en el refrigerador (en algunos modelos)

La fábrica de hielo está en la puerta izquierda detrás de los recipientes. Los cubos de hielo se expulsan dentro del recipiente de almacenamiento de hielo que está en la puerta del lado izquierdo del refrigerador.

Cómo quitar y volver a colocar el depósito de almacenamiento de hielo

Para abrir la caja de la fábrica de hielo, tire de la palanca de la puerta de la fábrica de hielo hasta que se suelte.



- Quite el depósito de almacenamiento de hielo insertando los dedos en el orificio que se encuentra en la base del depósito y tire del pestillo para liberar el depósito del compartimiento. Levante el recipiente de almacenamiento de hielo y jálalo directamente hacia afuera.
- Vuelva a colocar el recipiente de almacenamiento dentro del compartimiento de hielo y empújelo hacia abajo para asegurarse de que esté seguro en su lugar.

Ritmo de producción de hielo

- La fábrica de hielo debe producir aproximadamente 3.5 lb (1.6 kg) de hielo por día con un funcionamiento normal.

Cómo encender y apagar la fábrica de hielo

- Para encender la fábrica de hielo, vaya a la sección Ice maker (Fábrica de hielo) bajo Ice Maker On/3sec (Fábrica de hielo encendida/3 seg).
- Para apagar la fábrica de hielo, vaya a la sección Ice maker (Fábrica de hielo) bajo Ice Maker Off/3sec (Fábrica de hielo apagada/3 seg).

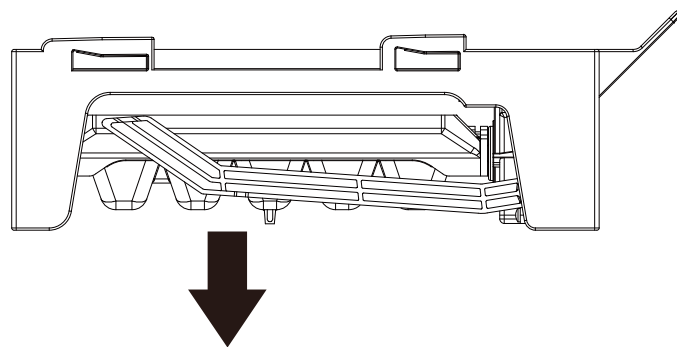
NOTA: La fábrica de hielo tiene apagado automático. El sensor detendrá automáticamente la producción de hielo si el depósito de hielo está lleno o si se abre la puerta. El control permanecerá en la posición de encendido.

Estilo 2: Fábrica de hielo en el congelador (en algunos modelos)

La máquina de hielo está encendida por defecto.

Mantenga presionado el botón Freezer (Congelador) en la interfaz de usuario para encender o apagar manualmente la máquina de hielo.

El sensor detendrá automáticamente la producción de hielo si el depósito de hielo está lleno o si se abre la puerta.



NOTA: Apague la fábrica de hielo antes de quitar el depósito de hielo para limpiarlo o para servir hielo. Esto evitará que los cubos caigan fuera de la fábrica de hielo hacia el compartimiento del congelador. Después de que vuelva a colocar el depósito, encienda la fábrica de hielo.

Lave el depósito de hielo con un jabón suave y agua tibia.

Deslice el depósito bajo la fábrica de hielo; empújelo hacia la parte posterior hasta donde sea posible.

Ritmo de producción de hielo

Deje transcurrir 24 horas para la producción del primer lote de hielo. Deseche los tres primeros lotes de hielo producidos.

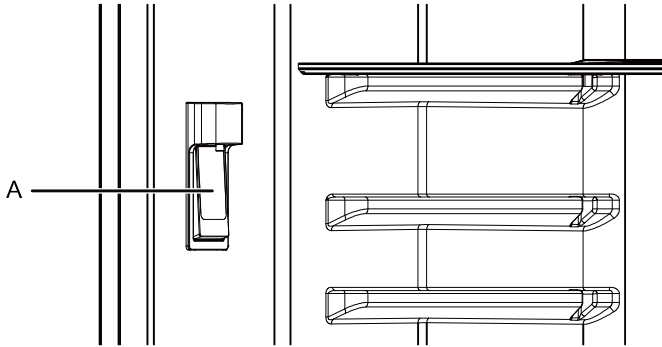
Espere 3 días para llenar por completo el depósito de almacenamiento de hielo. La fábrica de hielo deberá producir aproximadamente entre 3 libras (1.4 kg) (8 y 12 lotes) de hielo en un período de 24 horas.

Una vez que la hielera esté llena, si desea hacer más hielo, utilice una espátula para hielo para mover el hielo que está dentro de la hielera hacia la puerta.

Operación interna del agua (en algunos modelos)

- Mantenga presionada la paleta de agua para activar la dispensación de agua.
- Suelte la paleta de agua para desactivar la dispensación de agua.

NOTA: Coloque el vaso lo más cerca posible de la paleta de agua cuando dispense agua. Suelte la paleta de agua y espere 1 segundo más antes de alejar el vaso. De lo contrario, podría derramarse agua del vaso.



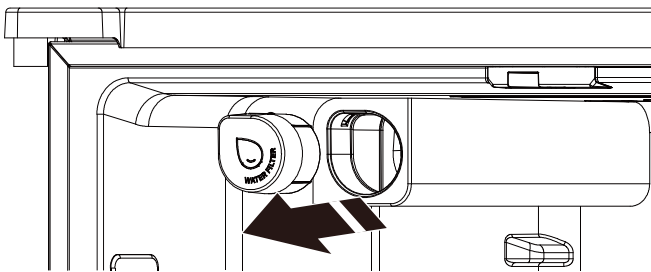
A. Paleta del despachador de agua

Filtros y accesorios

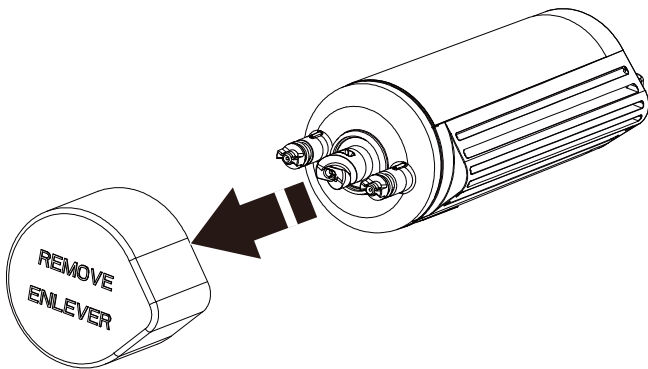
No use con agua que no sea microbiológicamente segura o que sea de calidad desconocida sin desinfectarla adecuadamente antes o después del sistema. Pueden usarse sistemas certificados para la reducción de partículas en aguas desinfectadas que puedan contener partículas filtrables.

Instalación del filtro de agua

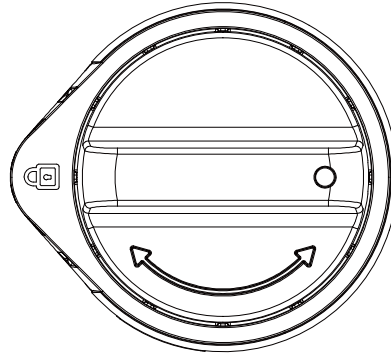
1. Localice el alojamiento del filtro en la esquina superior izquierda del refrigerador y retire la tapa.



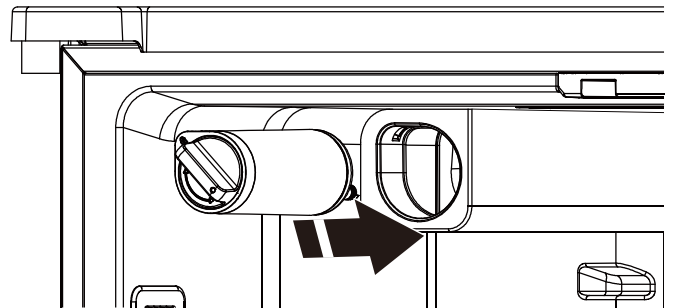
2. Saque el filtro del empaque y retire la tapa protectora.



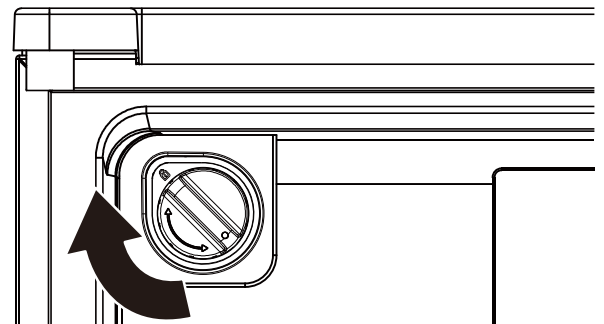
3. Asegúrese de que la perilla de bloqueo esté en la posición de desbloqueo.



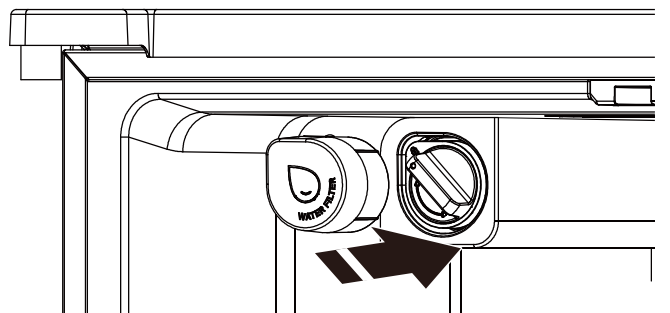
4. Inserte el filtro en su alojamiento.



5. Gire la perilla de bloqueo 180° en sentido horario para mantener el filtro bloqueado.



6. Vuelva a colocar la tapa del filtro.



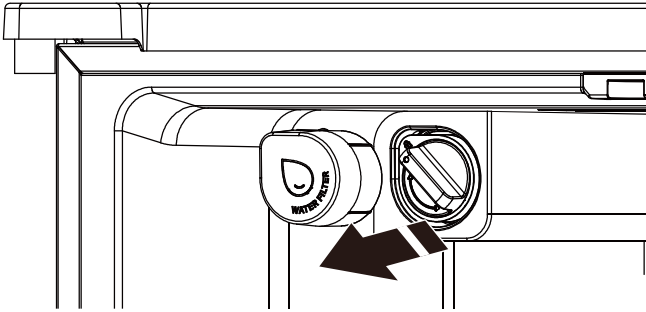
NOTA: Si el filtro no se instala correctamente, el agua podría salir a un caudal más bajo y causar una producción de hielo más lenta. Una mala instalación del filtro puede causar también que el alojamiento del filtro de agua pierda.

Cómo cambiar e instalar el filtro de agua

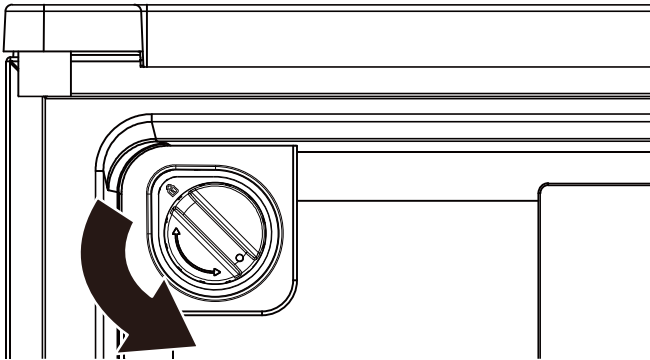
Debe cambiar el filtro del agua cada 6 meses basándose en un caudal de 0.52 gpm (1.97 LPM) que filtra 200 galones (757 litros) de agua.

Para pedir un filtro de repuesto, consulte la información sobre pedidos en línea en la "Guía de inicio rápido".

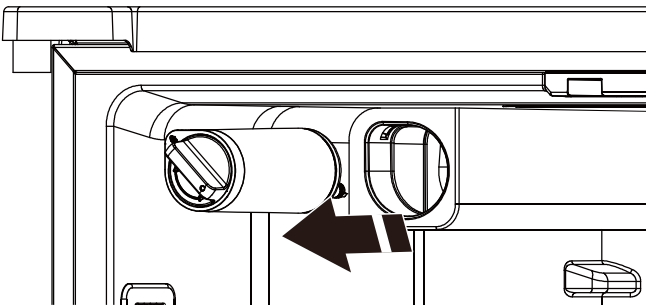
1. Localice el alojamiento del filtro en la esquina superior izquierda del refrigerador y retire la tapa.



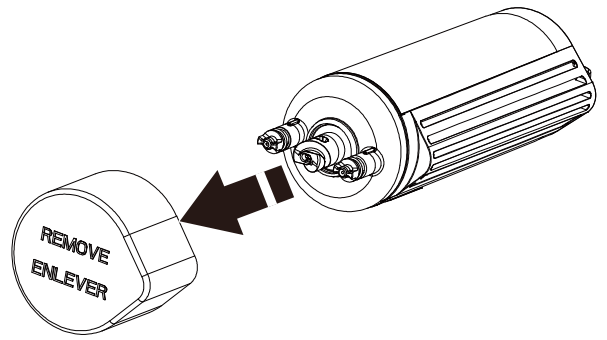
2. Gire la perilla de bloqueo 180° en sentido antihorario para desbloquear el filtro.



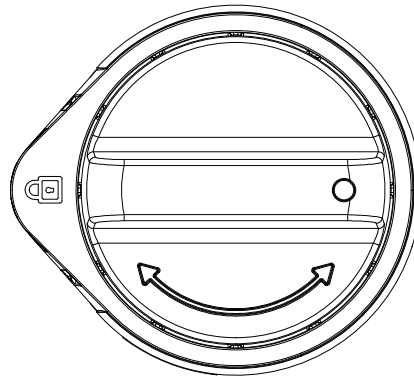
3. Quite el filtro usado.



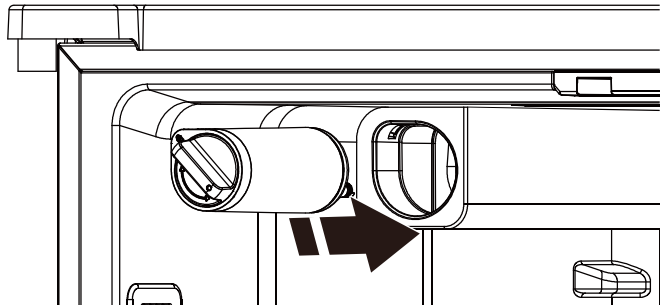
4. Tome el filtro nuevo y retire la protección.



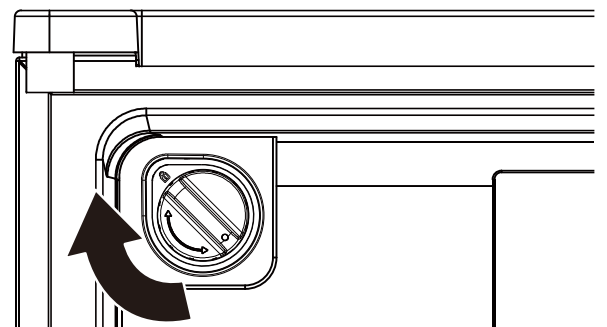
5. Asegúrese de que la perilla de bloqueo esté en la posición de desbloqueo.



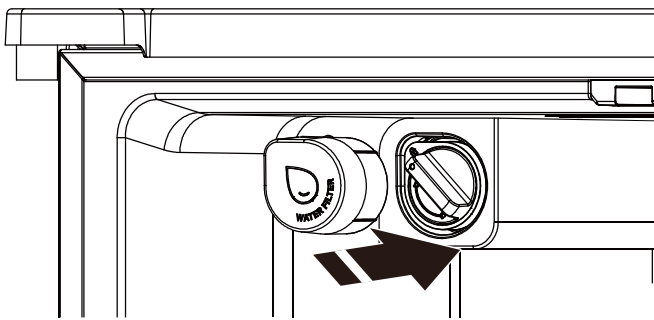
6. Inserte el filtro en su alojamiento.



7. Gire la perilla de bloqueo 180° en sentido horario para mantener el filtro bloqueado.



8. Tape el filtro.



Las luces de estado del filtro de agua

El indicador del estado del filtro de agua muestra el estado del filtro de agua.

- El icono de “Replace Filter” (Reemplazar filtro) o “Reset Filter” (Restablecer filtro) (según el modelo) se iluminará y parpadeará continuamente durante la dispensación cuando el volumen nominal de agua haya pasado por el filtro o hayan transcurrido 6 meses desde su instalación.

Se debe instalar un nuevo filtro inmediatamente después de que se ilumine la luz “Replace Filter” (Reemplazar filtro) o “Reset Filter” (Restablecer filtro).

- Después de 14 días en la etapa de reemplazar el filtro, el ícono “Replace Filter” (Reemplazar filtro) o “Reset Filter” (Restablecer filtro) brillará en todo momento y parpadeará continuamente durante la dispensación. Además, sonará tres veces una alerta después de la dispensación.

El filtro de agua deberá reemplazarse por lo menos cada 6 meses. Después de cambiar el filtro de agua, el usuario debe restablecer la luz de estado del filtro. Mantenga presionado el botón “Reset filter” (Restablecer filtro) o “Refrigerator” (Refrigerador) (según el modelo) durante 3 segundos para restablecer el estado del filtro de agua. Después de esto, el icono de “Replace Filter” (Reemplazar filtro) o “Reset Filter” (Restablecer filtro) se apagará.

NOTA: “Replace filter” (Reemplazar filtro) permanecerá iluminada si no se restablece el filtro en la interfaz de usuario (IU).

Para pedir un filtro de repuesto, consulte la información sobre pedidos en línea en la “Guía de inicio rápido”.

NOTA: Si el filtro no se ha instalado correctamente, el agua podría salir a un caudal más bajo y causar una producción de hielo más lenta. Una mala instalación del filtro puede causar también que el alojamiento del filtro de agua pierda.

- Utilice un filtro de agua EVERYDROP para obtener hielo y agua de sabor fresco.
- Cámbielo cada seis meses para obtener agua limpia.
- Para obtener hielo y agua limpios y de sabor fresco, utilice un filtro de agua everydrop® en su refrigerador.
- El único filtro aprobado por las marcas Whirlpool, Maytag, Amana, KitchenAid and JennAir.*

*Los productos everydrop® y los productos recomendados por la marca son distribuidos y propiedad de Whirlpool Corporation.

- Solo un filtro de agua aprobado de everydrop® reemplaza 1.500 botellas de agua de plástico* que no necesita comprar, y que no terminarán en nuestros océanos ni en nuestras aceras.

*Botella tamaño 16,9 oz.



INSTRUCCIONES DE LA MANIJA Y DE LA PUERTA

Cómo retirar y volver a colocar las puertas del refrigerador

NOTA: Mida el ancho de la abertura de la puerta para averiguar si es necesario retirar las puertas del refrigerador para ingresarlo a su hogar. Si es necesario quitar las puertas, vea las instrucciones a continuación.

NOTA: Si el refrigerador se instaló previamente y lo va a sacar de la casa, apáguelo antes de comenzar a retirar las puertas. Desenchufe el refrigerador o desconecte el suministro de energía. Saque los alimentos y los cajones ajustables o de uso múltiple de las puertas.

HERRAMIENTAS NECESARIAS: Llave Allen de 6 mm, llave Allen de 5 mm y destornillador Phillips N° 2.



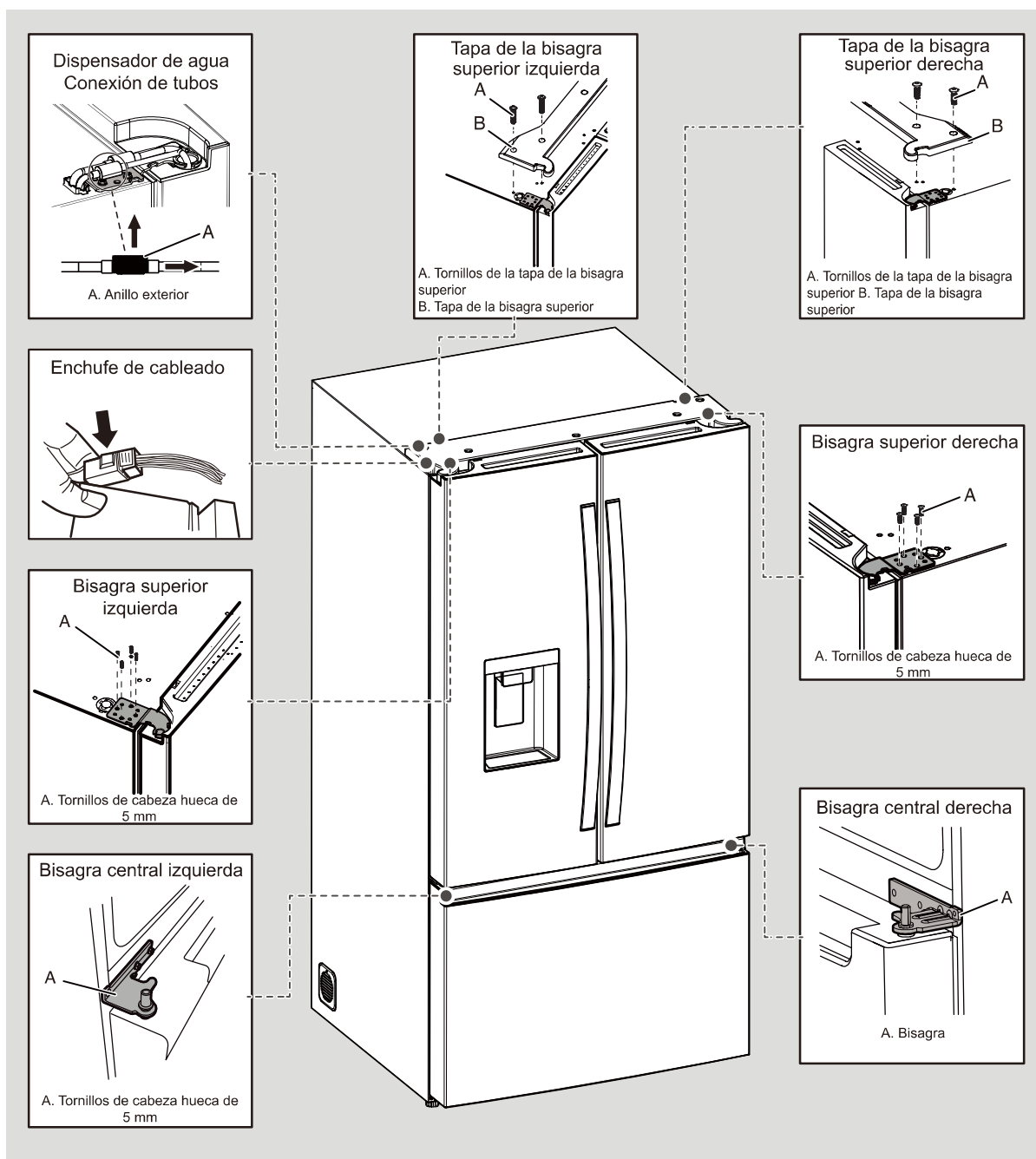
⚠️ ADVERTENCIA

Peligro de choque eléctrico

Desconecte el suministro de energía antes de sacar las puertas.

Si no lo hace, puede ocasionarse una descarga eléctrica e incluso la muerte.

Estilo 1 - Fábrica de hielo en la puerta izquierda



Cómo retirar y volver a colocar las puertas del refrigerador

NOTA: Mida el ancho de la abertura de la puerta para averiguar si es necesario retirar las puertas del refrigerador para ingresarlo a su hogar. Si es necesario quitar las puertas, vea las instrucciones a continuación.

IMPORTANTE: Si el refrigerador se instaló previamente y lo va a sacar de la casa, apáguelo antes de comenzar a retirar las puertas. Desenchufe el refrigerador o desconecte el suministro de energía. Retire los alimentos y los cajones ajustables o de uso múltiple de las puertas.

HERRAMIENTAS NECESARIAS: Llave Allen de 6 mm, llave Allen de 5 mm y destornillador Phillips N° 2.



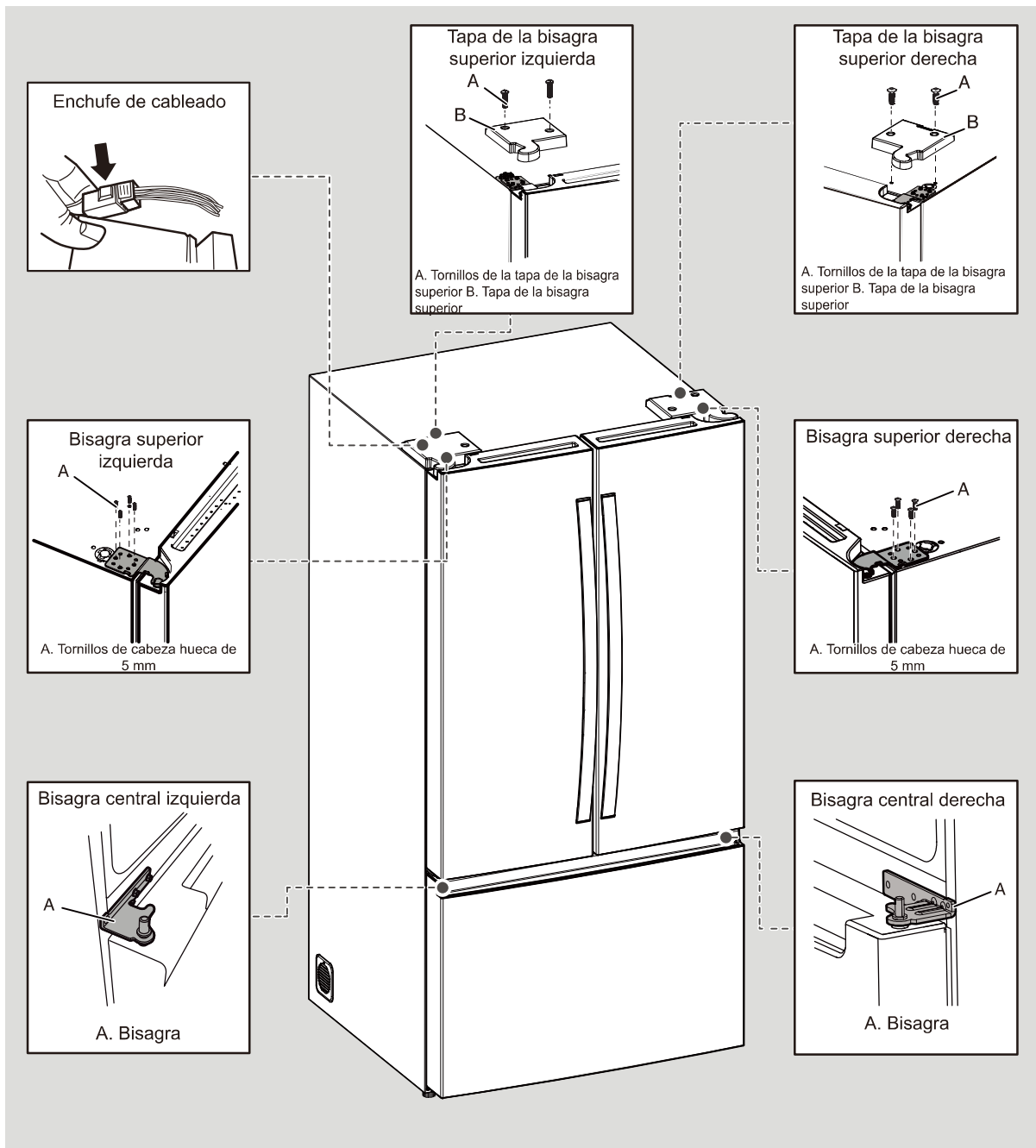
⚠️ ADVERTENCIA

Peligro de choque eléctrico

Desconecte el suministro de energía antes de sacar las puertas.

Si no lo hace, puede ocasionarse una descarga eléctrica e incluso la muerte.

Estilo 2 - Sin fábrica de hielo en la puerta izquierda



Cómo quitar las puertas del refrigerador

⚠ ADVERTENCIA



Peligro de choque eléctrico

Desconecte el suministro de energía antes de sacar las puertas.

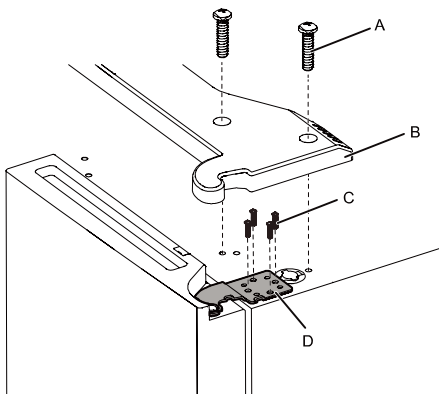
No seguir esta instrucción puede ocasionar la muerte o un choque eléctrico.

Cómo quitar la puerta del lado derecho

1. Desenchufe el refrigerador o desconecte el suministro de energía.
2. Mantenga las puertas del refrigerador cerradas hasta que esté listo para levantarlas y quitarlas del gabinete.

NOTA: Mientras retira las bisagras, siempre disponga de un soporte adicional para la puerta del refrigerador. No confíe en que los imanes de la junta de la puerta van a sostenerla en su lugar mientras trabaja.

3. Use un destornillador Phillips para quitar la cubierta de la bisagra superior.
4. Con una llave de 5 mm, retire los cuatro tornillos de la bisagra superior y déjelos a un lado.



- A. Tornillo de la cubierta de la bisagra superior
- B. Cubierta de la bisagra superior
- C. Tornillos Allen de 5 mm
- D. Bisagra superior

⚠ ADVERTENCIA

Peligro de peso excesivo

Use dos o más personas para levantar la puerta del electrodoméstico.

No seguir esta instrucción puede ocasionar lesiones en la espalda o de otro tipo.

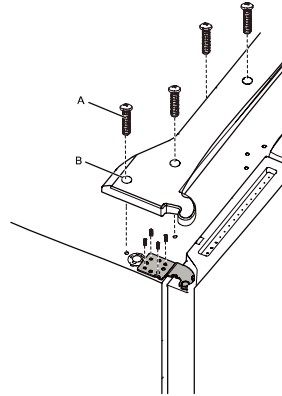
5. Levante la puerta del refrigerador para retirarla del pasador de la bisagra del medio. La bisagra superior se saldrá junto con la puerta.

Cómo retirar la puerta del lado izquierdo

IMPORTANTE: El cableado para la interfaz de usuario pasa a través de la bisagra de la puerta del lado izquierdo, de modo que lo debe desconectar antes de quitar la puerta.

Estilo 1 - Fábrica de hielo en la puerta izquierda

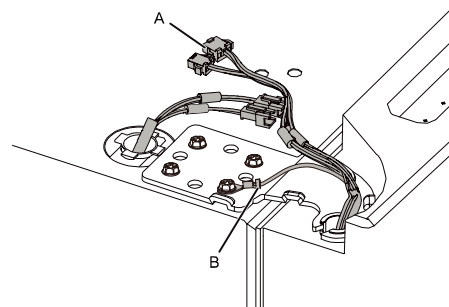
1. Use un destornillador Phillips para quitar la cubierta de la bisagra superior.



- A. Tornillo de la cubierta de la bisagra superior
- B. Cubierta de la bisagra superior

2. Desconecte los dos enchufes de cableado que están en la parte superior de la bisagra de la puerta.

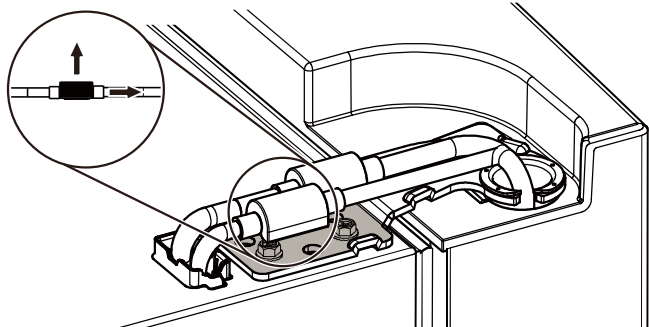
- Sujete cada lado de los enchufes de cableado. Con el pulgar izquierdo presione hacia abajo para liberar el seguro y jale las secciones de los enchufes para separarlas.



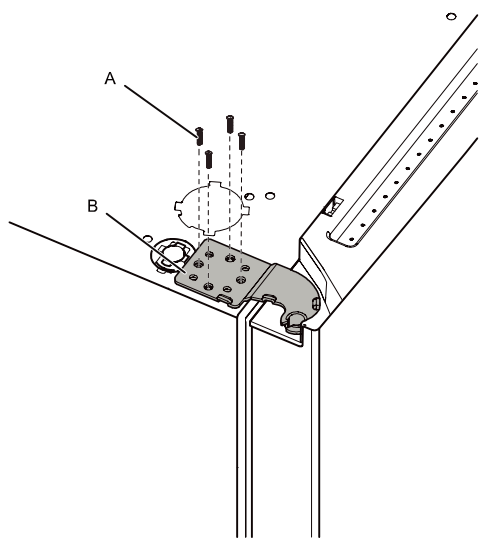
- A. Enchufe de cableado
- B. Conector a tierra (masa)

- Desconecte la tubería del despachador de agua ubicada en la parte superior de la bisagra de la puerta. Jale la abrazadera hacia arriba con firmeza. Luego, jale la tubería para retirarla del accesorio.

NOTA: La tubería del despachador de agua permanece conectada a la puerta del lado izquierdo del refrigerador.



- Con una llave de 5 mm, retire los cuatro tornillos internos de la bisagra superior y déjelos a un lado.



A. Tornillos Allen de 5 mm
B. Bisagra superior

NOTA: Mientras retira las bisagras, siempre disponga de un soporte adicional para la puerta del refrigerador. No confíe en que los imanes de la junta de la puerta van a sostenerla en su lugar mientras trabaja.

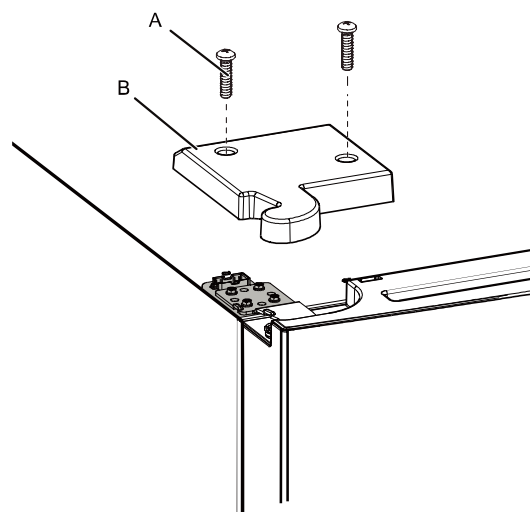
- Levante la puerta del refrigerador para retirarla del pasador de la bisagra inferior. La bisagra superior se saldrá junto con la puerta.

NOTA: Es posible que no sea necesario quitar los conjuntos de patas de freno para mover el refrigerador a través de una puerta.

- Solo si es necesario, use una llave Allen de 6 mm y un destornillador Phillips n.º 2 para retirar la bisagra del medio.

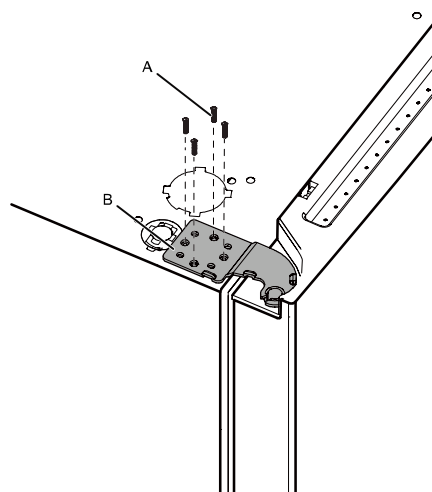
Estilo 2 - Sin fábrica de hielo en la puerta izquierda

- Use un destornillador Phillips para quitar la cubierta de la bisagra superior.



A. Tornillo de la cubierta de la bisagra superior
B. Cubierta de la bisagra superior

- Con una llave de 5 mm, retire los cuatro tornillos internos de la bisagra superior y déjelos a un lado.



A. Tornillos Allen de 5 mm
B. Bisagra superior

NOTA: Mientras retira las bisagras, siempre disponga de un soporte adicional para la puerta del refrigerador. No confíe en que los imanes de la junta de la puerta van a sostenerla en su lugar mientras trabaja.

- Levante la puerta del refrigerador para retirarla del pasador de la bisagra inferior. La bisagra superior se saldrá junto con la puerta.

NOTA: Es posible que no sea necesario quitar los conjuntos de patas de freno para mover el refrigerador a través de una puerta.

- Solo si es necesario, use una llave Allen de 6 mm y un destornillador Phillips n.º 2 para retirar la bisagra del medio.

Cómo volver a colocar la puerta del lado derecho del refrigerador

1. Coloque la puerta del lado derecho sobre el pasador de la bisagra del medio.
2. Inserte el pasador de la bisagra superior en el orificio abierto de la parte superior de la puerta del refrigerador.
3. Con cuatro tornillos Allen de 5 mm fije la bisagra al gabinete. No ajuste los tornillos por completo.

Cómo volver a colocar la puerta del lado izquierdo del refrigerador

1. Coloque la puerta del lado izquierdo sobre el pasador de la bisagra del medio.
2. Con cuatro tornillos Allen de 5 mm fije la bisagra al gabinete. No ajuste los tornillos por completo.
3. Vuelva a conectar el cableado eléctrico.
 - Empuje y una las dos secciones del enchufe de cableado.
 - Vuelva a conectar el cable a tierra al tornillo de la bisagra.

Pasos finales

1. Apriete completamente los ocho tornillos Allen de 5 mm.
2. Vuelva a colocar las cubiertas de la bisagra superior.

Retirar y volver a colocar la puerta del congelador. o retirar el cajón del congelador

Según el ancho de la abertura de la puerta, tal vez sea necesario sacar las puertas del congelador antes de hacer que entre el refrigerador en su hogar.

IMPORTANTE:

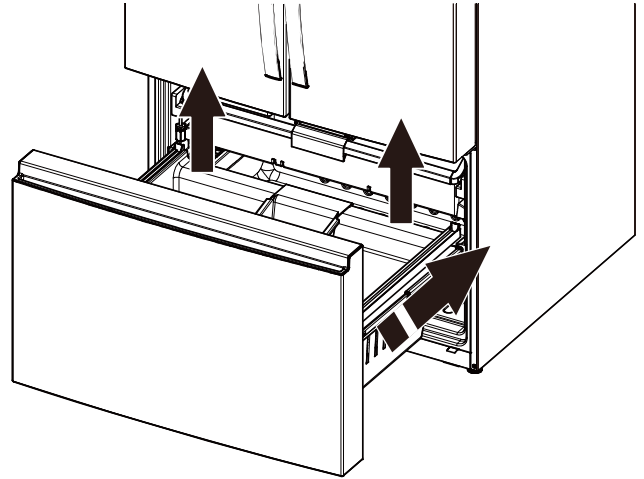
- Si el refrigerador se instaló previamente y lo va a sacar de la casa, antes de comenzar apague el refrigerador y desenchúfelo o desconecte el suministro de energía.
- Saque los alimentos y cualquier recipiente ajustable o de uso general de las puertas.
- Es posible que se necesiten dos personas para quitar y volver a colocar la puerta del congelador.

Herramientas necesarias: Destornillador Phillips

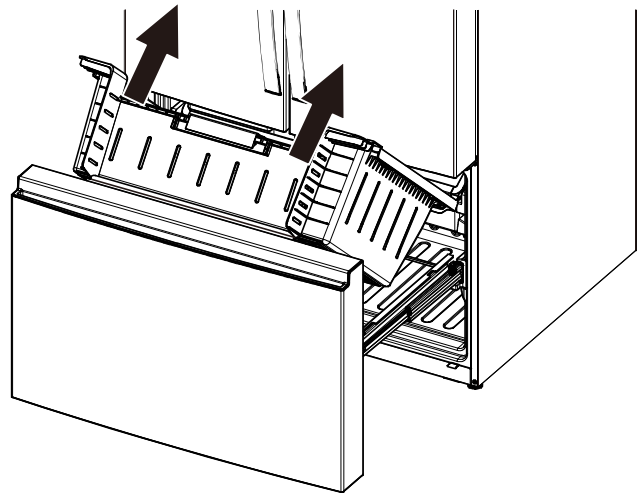
Cómo retirar la puerta o el cajón del congelador

NOTA: Ya sea que desee retirar la puerta del congelador, volver a colocarla o retirar el cajón del congelador, primero debe completar los pasos 1 a 3 y luego seleccionar los pasos 4, 5 y 6 según sus necesidades.

1. Abra la puerta del congelador en toda su extensión.
2. Levante el cajón superior y empújelo hacia el interior del gabinete.

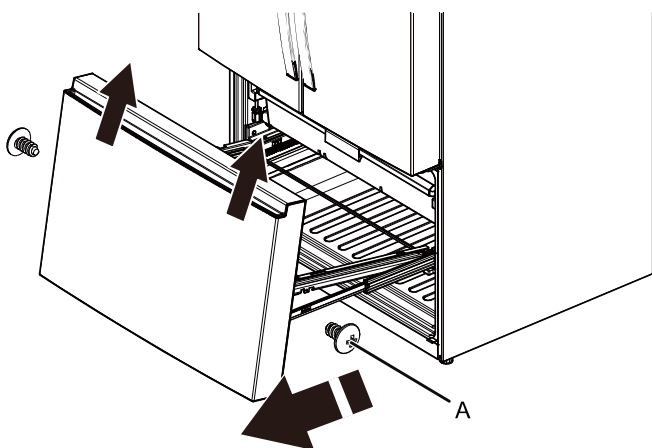


3. Saque el cajón inferior, póngalo afuera del gabinete.



4. Retire la puerta del congelador

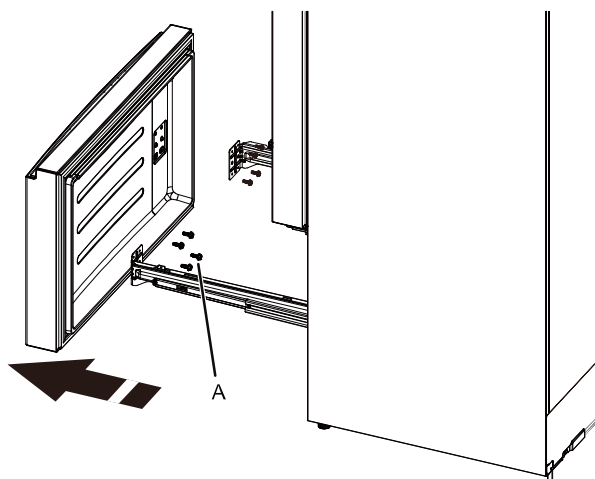
Utilice un destornillador Phillips para quitar los tornillos que conectan la puerta del congelador al riel guía, un tornillo en cada lado, levante la puerta del congelador y retire la puerta.



A. Tornillo

5. Vuelva a poner en su lugar la puerta del congelador.

Utilice un destornillador Phillips para quitar cuatro tornillos de cada lado de la puerta y el soporte de metal, luego retire la puerta y reemplácela por una nueva.

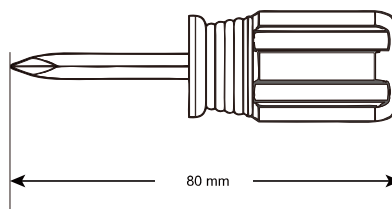
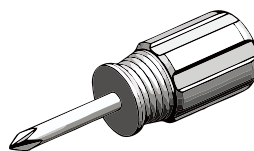


A. Tornillo

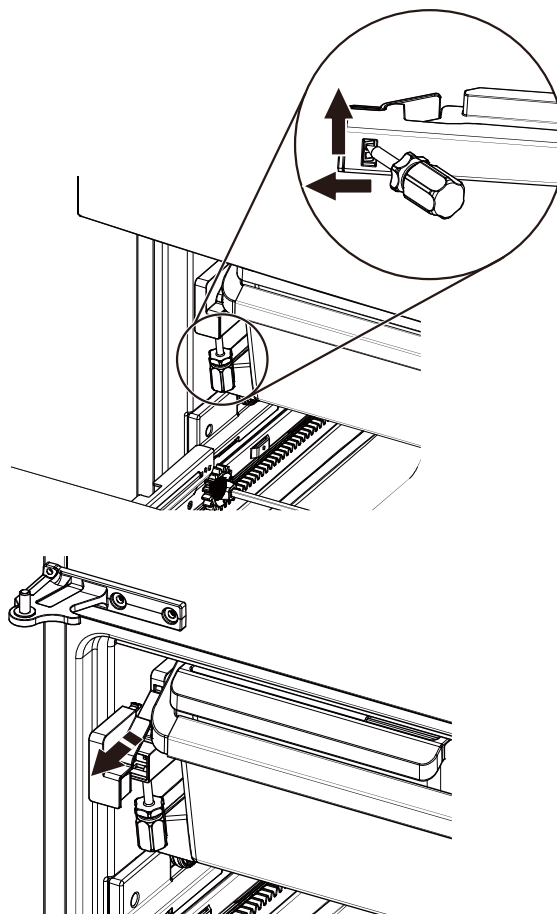
6. Cómo quitar el cajón superior del congelador

NOTA: El cajón superior del congelador solo debe ser retirado por profesionales del servicio posventa.

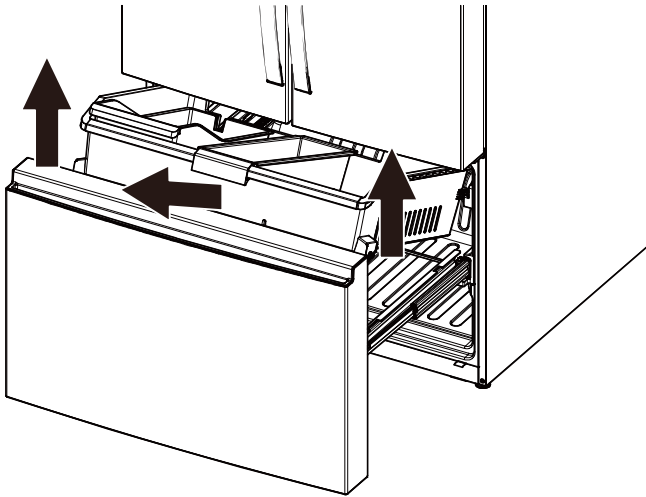
- Busque un destornillador Phillips adecuado con una longitud total inferior a 80 mm.



- Introduzca la cabeza del destornillador en la ranura de la hebilla, debajo del tope izquierdo, presione la hebilla hacia arriba y hacia afuera para soltarla y retire el tope izquierdo.



- Tire del cajón superior hasta el tope y levántelo.



Pasos finales

⚠ ADVERTENCIA



Peligro de Choque Eléctrico

Conecte a un tomacorriente con conexión a tierra de 3 terminales.

No quite el terminal de conexión a tierra.

No use un adaptador.

No utilice un cable de extensión.

No seguir estas instrucciones puede ocasionar la muerte, un incendio o un choque eléctrico.

1. Enchufe en un contacto con conexión a tierra.
2. Vuelva a colocar todas las piezas desmontables y los alimentos en los cajones.

Cómo instalar y quitar las manijas

Piezas incluidas:

Manijas de la puerta del refrigerador (2), llave de tubo hexagonal de 1/4" (1), instrucciones para instalar las manijas en las puertas (1).

Instalación de las manijas

NOTA: El kit de manijas se suministra con instrucciones para instalarlas en las puertas. Sígalas atentamente.

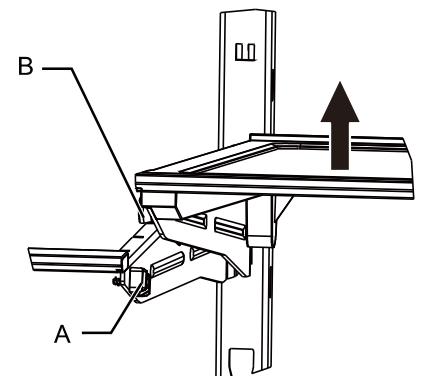
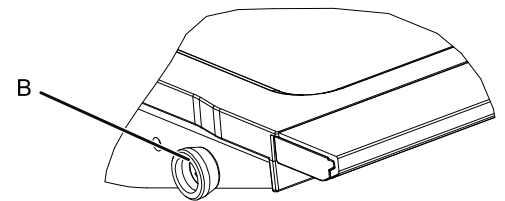
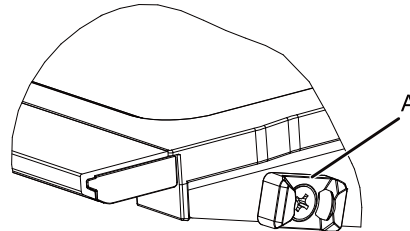
Estantes, depósitos y cajones

Estantes y marcos de estantes

Los estantes de vidrio de su congelador son ajustables para adaptarse a sus necesidades individuales de almacenamiento. Si se guardan alimentos similares juntos en el refrigerador y se ajustan los estantes para que se adapten a las diferentes alturas de los artículos, será más fácil encontrar exactamente el artículo que se desea. Asimismo, se reducirá el tiempo que la puerta del refrigerador permanece abierta y se ahorrará energía.

Para quitar y reemplazar un medio estante con marco:

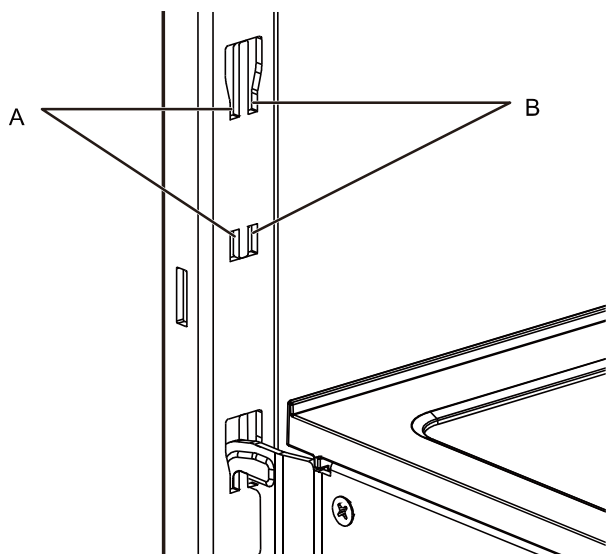
1. Retire el estante sujetando el borde delantero de la mitad izquierda del estante e incline la mitad derecha hacia arriba hasta que los topes izquierdo y derecho se separen.



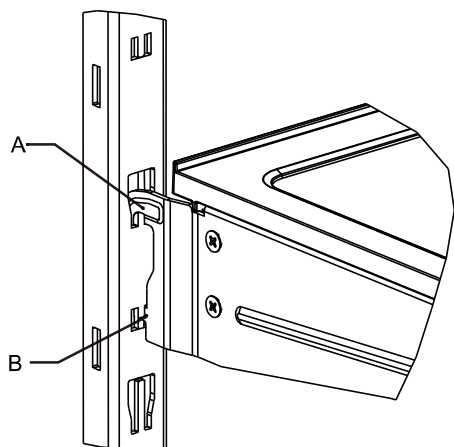
- A. Tope izquierdo
- B. Tope derecho

2. Levante todo el estante para retirarlo de los soportes.

3. Vuelva a colocar el estante guiando la pata fija superior hacia el soporte. Incline la parte delantera del estante hacia arriba hasta que la pata fija superior encaje en los soportes.



A. Orificio 1
B. Orificio 2



A. Pata fija superior
B. Para fija inferior

NOTA: El orificio 1 solo se puede usar para el soporte de la mitad izquierda del estante, y el orificio 2 solo para el soporte de la mitad derecha. Si se coloca incorrectamente, el estante quedará inestable y no podrá usarse.

4. Baje la parte frontal del estante y asegúrese de que la pata fija inferior esté en su lugar.

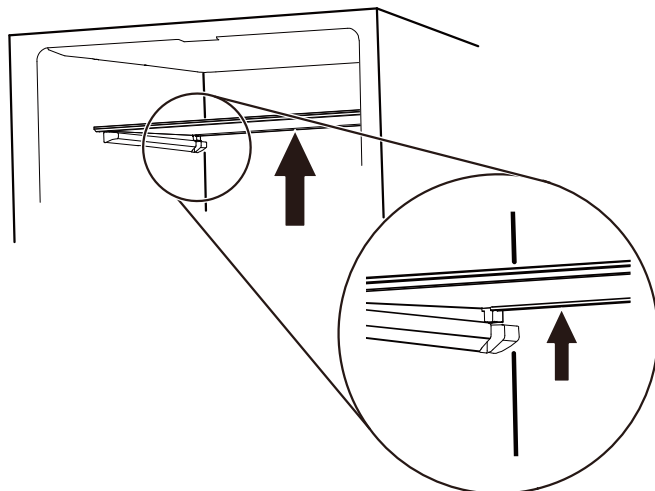
Estantes completos de cristal

IMPORTANTE:

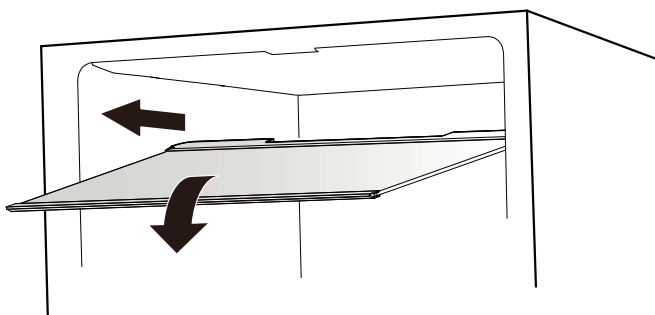
- La altura de los estantes completos de cristal no es ajustable.
- Si desea sacar la cubierta de vidrio para verduras, primero debe quitar las puertas del refrigerador.

Para retirar y volver a colocar el estante de completo de cristal:

1. Sujete la parte inferior del estante de cristal con las manos y levántelo hasta que el tope trasero se separe de las nervaduras.

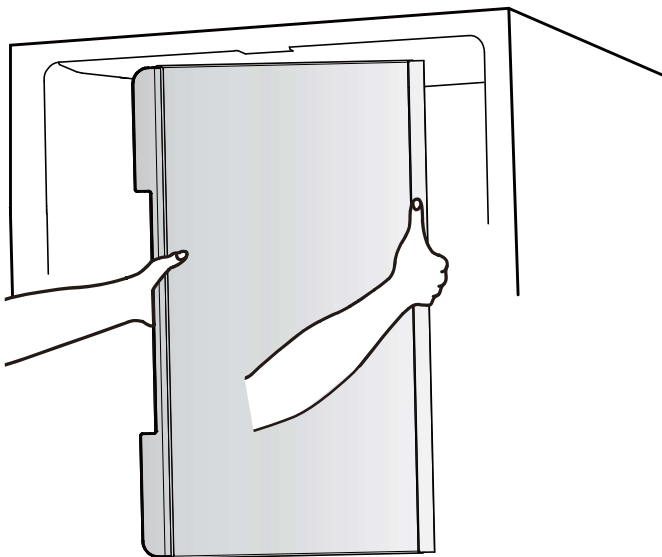


2. Mueva el estante de cristal hacia adelante y baje el estante delantero hasta que la moldura trasera se separe de los soportes.



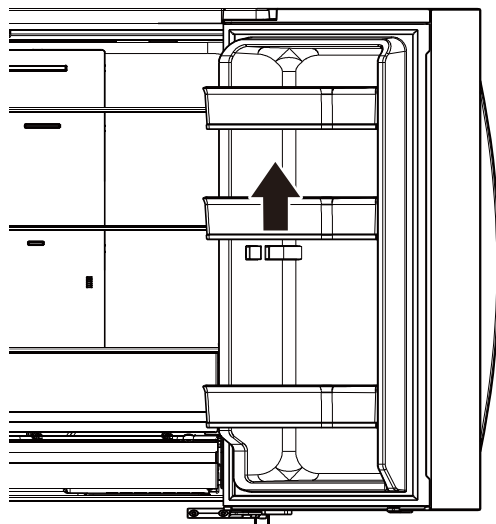
3. Saque el estante y tenga cuidado de no dañar la puerta del refrigerador.

4. Si el paso 3 no es fácil de hacer, gire el estante de cristal a la posición que se muestra en la figura, luego sáquelo.



Recipientes de la puerta del refrigerador

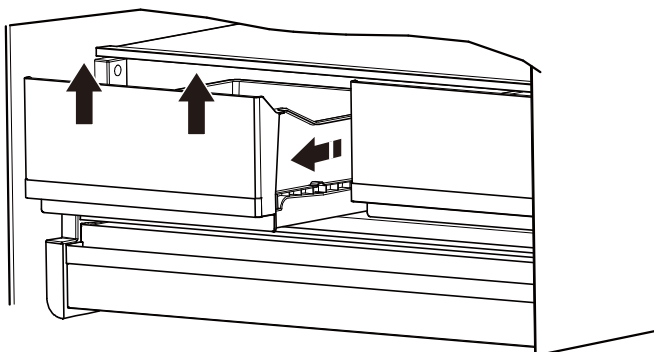
Los cajones de la puerta del refrigerador son ajustables para adaptarlos a las necesidades de almacenamiento individuales. Los cajones hacen que sea más fácil configurar a la medida el almacenamiento de la puerta para mantener contenedores de un galón.



Cajones para verduras

Para quitar y volver a colocar los cajones:

1. Sujete la manija de la parte inferior del cajón y deslícelo y tire recto hacia afuera hasta el tope. Levante el cajón fuera de la guía inferior.
2. Para volver a colocar el cajón, colóquelo en la guía del cajón inferior y empuje más allá del tope del cajón hasta su posición.



Compartimientos de almacenamiento del congelador

- Use estos cajones para congelar una mayor cantidad de alimentos frescos o cocidos (de una manera mejor y más rápida).
- La opción Fast Freeze (Congelamiento rápido) le permite almacenar todos sus alimentos congelados

HOJA DE DATOS DE RENDIMIENTO

Sistema de filtración de agua

Modelo W11569863 (PID), W11569861 (sin PID)

Números de modelo de los elementos de recambio: EDRARXD1/EDRARXD1B/W11536439/WHRARXD1/WHRARXD1B/KADARXD1/KADARXD1B/MAYARXD1B/MAYARXD1B/W11486187

Capacidad 200 galones (757 litros) con PID W11569863, 100 galones (379 litros) sin PID W11569861.



Sistema probado y certificado por NSF International según CSA B483.1, normas NSF/ANSI 42, 53, y 401 para la reducción de los elementos especificados en la Hoja de datos de rendimiento a continuación.

Este sistema ha sido probado según las normas NSF/ANSI 42, 53, 401 y CSA B483.1 para la reducción de las sustancias enumeradas a continuación. La concentración de las sustancias indicadas en el agua que ingresa al sistema se redujo a una concentración inferior o igual al límite permitido para el agua que sale del sistema, tal como se especifica en las normas NSF/ANSI 42, 53, 401 y CSA B483.1.

Efectos estéticos de la reducción de sustancias	Concentración en el agua a tratar	Requisitos de reducción	% de reducción promedio	% de reducción mínima
Sabor/olor a cloro	2,0 mg/L ± 10 %	Reducción del ≥ 50 %	99,39	99
Clase de partículas I*	Por lo menos 10 000 partículas/ml	Reducción del ≥ 85 %	99,52	99,33
Microplásticos	Por lo menos 10 000 partículas/ml	Reducción del ≥ 85 %	99,52	99,33
Reducción de contaminantes	Concentración en el agua a tratar	Requisitos de reducción	% promedio de reducción	% de reducción mínima
Plomo: a pH 6,5 / a pH 8,5	0,150 mg/L ± 10 %	0,005 mg/L	99,29/99,84	99,07/99,46
Mercurio: a pH 6,5 / a pH 8,5	0,006 mg/L ± 10 %	0,002 mg/L	97,38/92,78	92,98/75,86
Asbesto	10 ⁷ a 10 ⁸ fibras/L ^{††}	≥ 99 %	> 99,0	> 99,0
Quistest [†]	50.000/L mínimo	≥ 99,95 %	≥ 99,997	> 99,997
Atrazina	0,009 mg/L ± 10 %	0,003 mg/L	> 98,98	> 98,95
Benceno	0,015 mg/L ± 10 %	0,005 mg/L	> 99,28	> 99,17
Carbofurano	0,080 mg/L ± 10 %	0,040 mg/L	83,93	58,7
Lindano	0,002 mg/L ± 10 %	0,0002 mg/L	95,22	95
P-Diclorobenceno	0,225 mg/L ± 10 %	0,075 mg/L	99,95	99,95
Tetracloroetileno	0,015 mg/L ± 10 %	0,005 mg/L	99,33	99,29
Toxafeno	0,015 mg/L ± 10 %	0,003 mg/L	99,27	99,17
O-Diclorobenceno	1,8 mg/L ± 10 %	0,6 mg/L	> 99,995	> 99,995
Tolueno	3,0 mg/L ± 10 %	1,0 mg/L	> 99,9	> 99,9
Estireno	2,0 mg/L ± 10 %	0,1 mg/L	> 99,9	> 99,9
1,2,4-Triclorobenceno	0,210 mg/L ± 10 %	0,07 mg/L	> 99,55	> 99,42
Tricloroetileno	0,3 mg/L ± 30 %	0,005 mg/L	> 99,8	> 99,8
Endrina	0,006 mg/L ± 10 %	0,002 mg/L	92,32	83,93

Reducción de contaminantes	Concentración en el agua a tratar	Requisitos de reducción	% promedio de reducción	% de reducción mínima
Etilbenceno	2,1 mg/L \pm 10 %	0,7 mg/L	> 99,99	> 99,99
2,4 - D	0,210 mg/L \pm 10 %	0,07 mg/L	98,89	94,76
Turbidez	11 NTU \pm 10 %	0,5 NTU	98,88	98,17
Atenolol	200 \pm 20 %	30 ng/L	95,27	94,98
Carbamazepina	1400 \pm 20 %	200 ng/L	96,2	96,09
Linuron	140 \pm 20 %	20 ng/L	93,53	92,31
Meprobamato	400 \pm 20 %	60 ng/L	94,54	94,32
Trimetoprima	140 \pm 20 %	20 ng/L	96,27	95,94
DEET	1400 \pm 20 %	200 ng/L	96,32	96,21
Metolacoloro	1400 \pm 20 %	200 ng/L	96,67	96,5
Bisfenol A	2000 \pm 20 %	300 ng/L	95,07	94,82
Estrona	140 \pm 20 %	20 ng/L	96,27	96,15
Nonilfenol	1400 \pm 20 %	200 ng/L	92,61	90,48
Naproxeno	140 \pm 20 %	20 ng/L	96,09	95,83
Ibuprofeno	400 \pm 20 %	60 ng/L	95,44	95,13
TCP	5000 \pm 20 %	700 ng/L	92,78	92,59
TCEP	5000 \pm 20 %	700 ng/L	96,62	96,55
Fenitoína	200 \pm 20 %	30 ng/L	95,6	95,12
VOC**	0,300 mg/L \pm 10 %	0,015 mg/L	> 99,58	> 96,21

Parámetros de la prueba: pH = 7,5 \pm 0,5, a menos que se indique otro valor. Flujo = 0,52 GPM (1,97 LPM). Presión = 60 psi (413,7 kPa). Temperatura = 68 °F a 71,6 °F (20 °C a 22 °C). Capacidad de servicio nominal = 200 galones (757 litros) W11569863 con PID, 100 galones (379 litros) W11569861 sin PID.

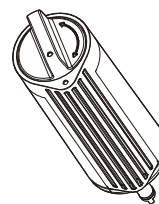
Los compuestos certificados según NSF 401 se han considerado “compuestos emergentes o contaminantes incidentales”. Compuestos emergentes/contaminantes incidentales que se detectaron en suministros de agua potable en niveles detectables. Aunque solo se presentan en niveles de traza, estos compuestos pueden afectar la aceptación o percepción pública de la calidad del agua potable.

- Es esencial que se lleven a cabo los requisitos de operación, mantenimiento y reemplazo del filtro para que el producto se desempeñe tal como se publicita. Pueden ocurrir daños a la propiedad si no se siguen todas las instrucciones.
- El cartucho desechable deberá cambiarse al menos cada 6 meses. Los medios de adsorción gastados no se regeneran ni se utilizan.
- Utilizar la sustitución EDRARXD1/B, WHRARXD1/B, KADARXD1/B, MAYARXD1/. El precio sugerido de venta al por menor durante el año 2025 es de \$59,99 en EE. UU./\$69,99 en Canadá. Los precios están sujetos a cambio sin previo aviso. Disponible en www.everydropwater.com.
- El sistema de monitoreo del filtro mide la cantidad de agua que atraviesa el filtro y emite una alerta cuando llega el momento de cambiarlo. Para saber cómo revisar el estado del filtro de agua, vea “Uso de los controles” o “Sistema de filtrado de agua” en las Instrucciones del usuario o el Manual del usuario.
- Después de cambiar el filtro de agua, enjuague el sistema de agua. Vea “Despachadores de agua y de hielo” o “Despachador de agua” en las Instrucciones del usuario o el Manual del usuario.
- Estos contaminantes no se encuentran necesariamente en su suministro de agua. Si bien las pruebas se realizaron bajo condiciones de laboratorio estándar, el rendimiento real puede variar.
- El producto es para su uso solo con agua fría.
- El sistema de agua deberá instalarse conforme a las leyes y normativas estatales y locales.
- El rendimiento real puede variar pues las pruebas se realizaron en condiciones estándar de laboratorio.
- No use con agua que no sea microbiológicamente segura o que sea de calidad desconocida sin desinfectarla adecuadamente antes o después del sistema. Pueden usarse sistemas certificados para la reducción de partículas en aguas desinfectadas que puedan contener partículas filtrables. EPA Est. N.º 85075-SG-001.
- Consulte la sección “Garantía” (en las Instrucciones del usuario o el Manual del usuario) para ver la garantía limitada, el nombre y el número de teléfono del fabricante.

Normas de aplicación/Parámetros para el suministro de agua

Suministro de agua	Potable, municipal o de pozo
Presión de agua	30 psi-120 psi (207 kPa-827 kPa)
Temperatura del agua	33 °F-100 °F (0,6 °C-37,8 °C)
Flujo nominal de servicio	0,52 GPM (1,97 LPM) a 60 psi (413,7 kPa)

- Su sistema de filtración de agua resistirá una presión de agua de hasta 120 psi. Si el suministro de agua es superior a 80 psi, instale una válvula reductora de presión antes de instalar el sistema de filtración de agua.
- Cumple con la norma NSF/ANSI 53 para la reducción de VOC (contaminantes orgánicos volátiles). Vea la siguiente Tabla para los contaminantes individuales y el rendimiento de la reducción.



*Tamaño de las partículas clase I: > 0,5 um a 1 um

**Este rendimiento de VOC representa la eliminación de 39 contaminantes basada en pruebas de sustitutos de VOC

†Con base en el uso de microesferas de poliestireno

‡Fibras mayores de 10 um de longitud

Hoja de datos de rendimiento de las solicitudes de reducción de productos químicos orgánicos incluidos en las pruebas de sustitución

Sustancia	Concentración de reto del influente (mg/l)	Concentración máxima admisible del producto en el agua (mg/l)
alaclor	0,050	0,001
altrazina	0,100	0,003
benceno	0,081	0,001
carbofurano	0,190	0,001
tetracloruro de carbono	0,078	0,0018
clorobenceno	0,077	0,001
cloropicrina	0,015	0,0002
2,4-d	0,110	0,0017
dibromocloropropano (DBCP)	0,052	0,00002
o-diclorobenceno	0,080	0,001
p-Diclorobenceno	0,040	0,001
1,2-dicloroetano	0,088	0,0048
1,1-dicloroetileno	0,083	0,001
cis-1,2-dicloroetileno	0,170	0,0005
trans-1,2-dicloroetileno	0,086	0,001
1,2-dicloropropano	0,080	0,001
cis1,3-dicloropropileno	0,079	0,001
dinoseb	0,170	0,002
endrina	0,053	0,00059
etilbenceno	0,088	0,001
dibromuro de etileno (EDB)	0,044	0,00002
haloacetnitrilos (HAN)		
bromocloroacetnitrilo	0,022	0,0005
dibromoacetnitrilo	0,024	0,0006
dicloroacetnitrilo	0,0096	0,0002
tricloraacetnitrilo	0,015	0,0003
haloquetones (HK)		
1,1-dicloro-2-propanona	0,0072	0,0001
1,1,1-tricloro-2-propanona	0,0082	0,0003
heptacloro	0,025	0,00001
epóxido de heptacloro	0,0107	0,0002
hexaclorobutadiencia	0,044	0,001
hexaclorociclopentadieno	0,060	0,000002
lindano	0,055	0,00001
metoxicloro	0,050	0,0001
pentaclorofenol	0,096	0,001

simazina	0,120	0,004
estireno	0,150	0,0005
1,1,2,2-tetracloroetano	0,081	0,001
tetracloroetileno	0,081	0,001
tolueno	0,078	0,001
2,4,5-TP (Silvex)	0,270	0,0016
ácido tribromoacético	0,042	0,001
1,2,4-triclorobenceno	0,160	0,0005
1,1,1-tricloroetano	0,084	0,0046
1,1,2-tricloroetano	0,150	0,0005
tricloroetileno	0,180	0,0010
trihalometanos (incluye)		
cloroformo (químico sustituto)		
bromoformo	0,300	0,015
bromodichlorometano		
clorodibromometano		
xilenos (total)	0,070	0,001

Atención al consumidor **1-800-442-9991**
Por Whirlpool Corporation
2000 North M63
Benton Harbor, MI 49022

NOTES

NOTES

NOTES

®/™ ©2025 Whirlpool. All rights reserved. Used under license in Canada.

Tous droits réservés. Utilisé sous licence au Canada.

Todos los derechos reservados. Se usa bajo licencia en Canadá.

