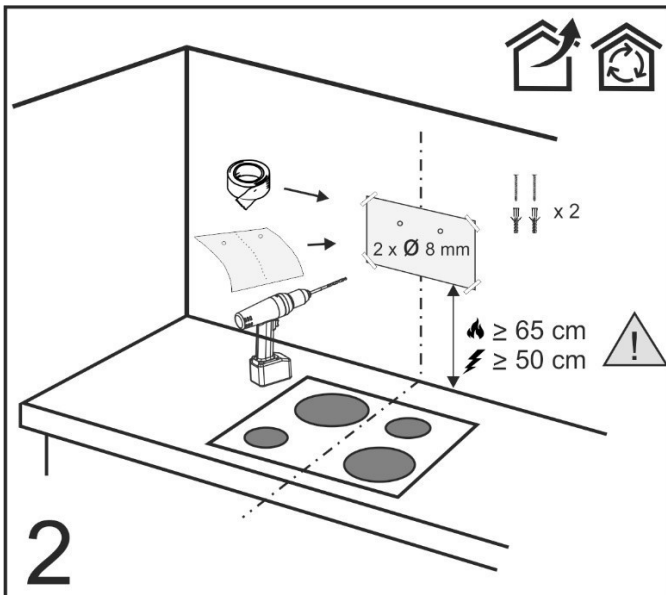
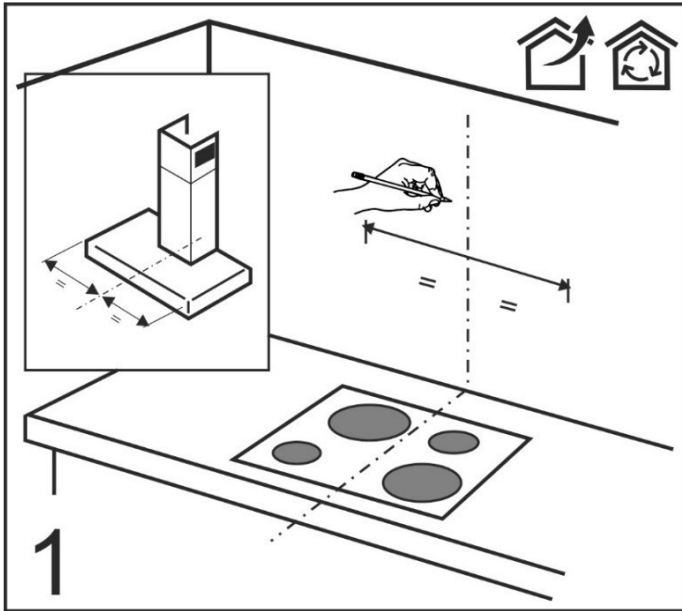
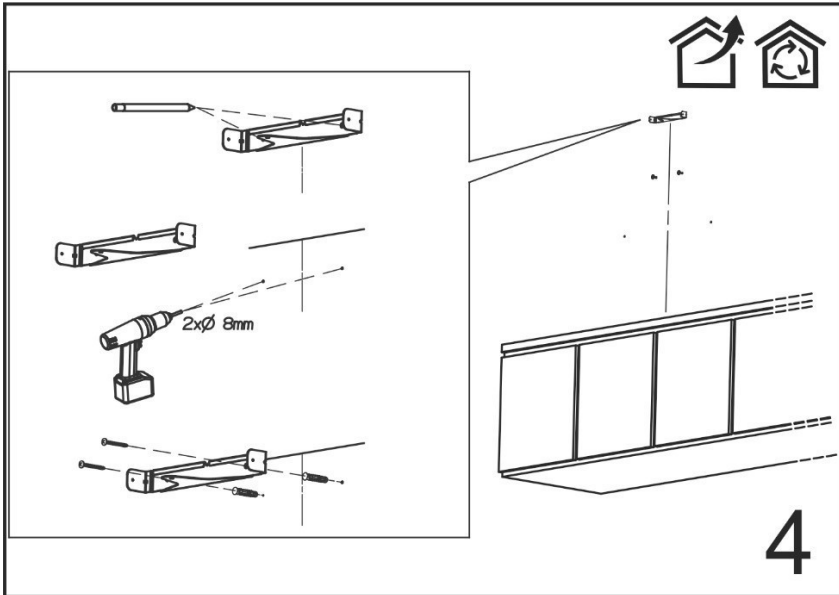
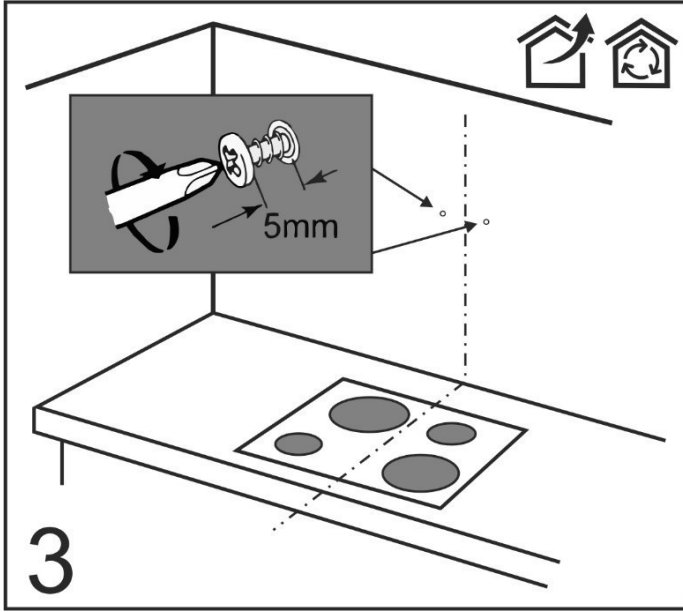
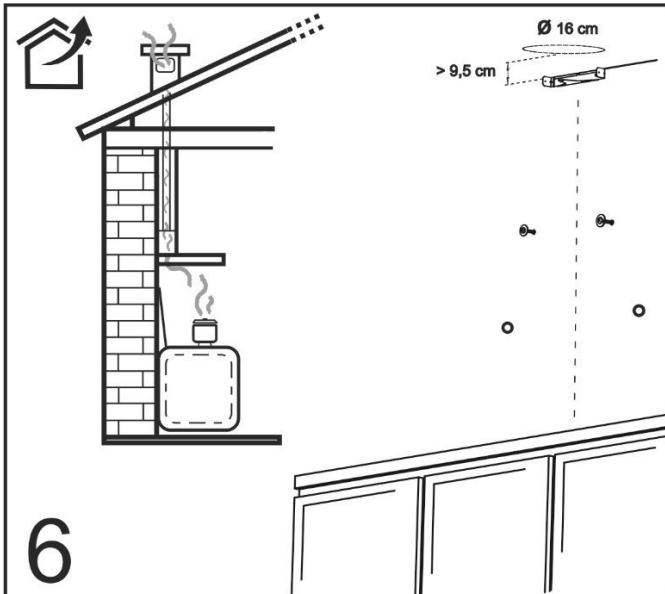
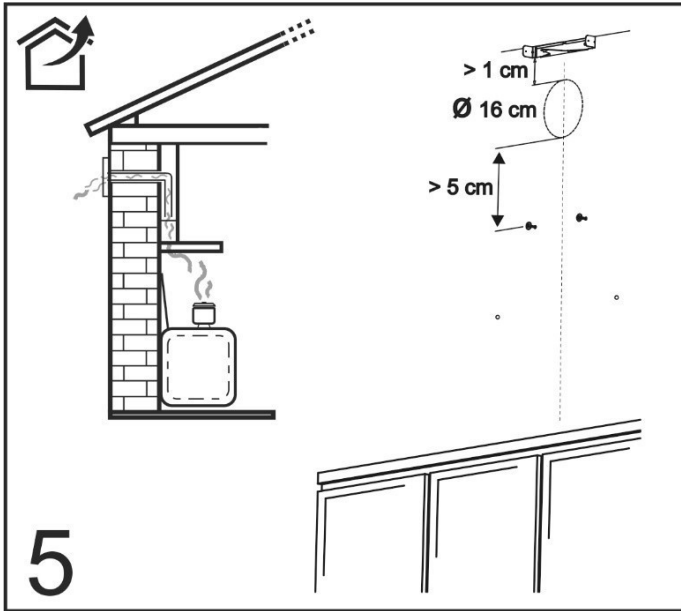


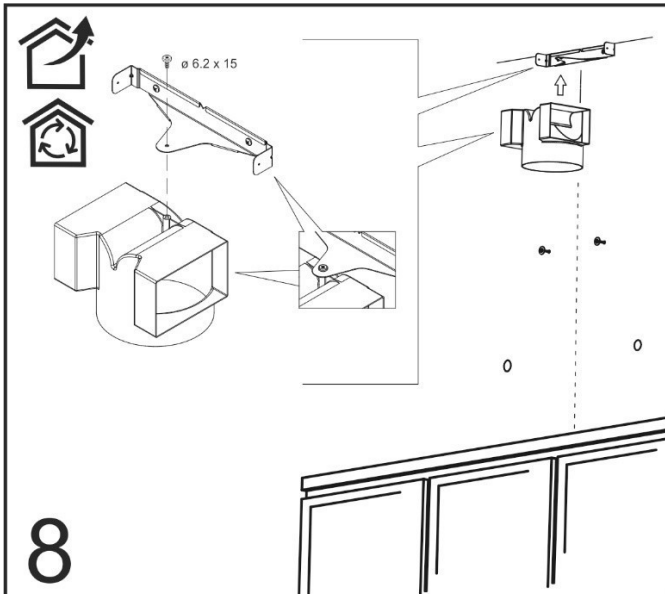
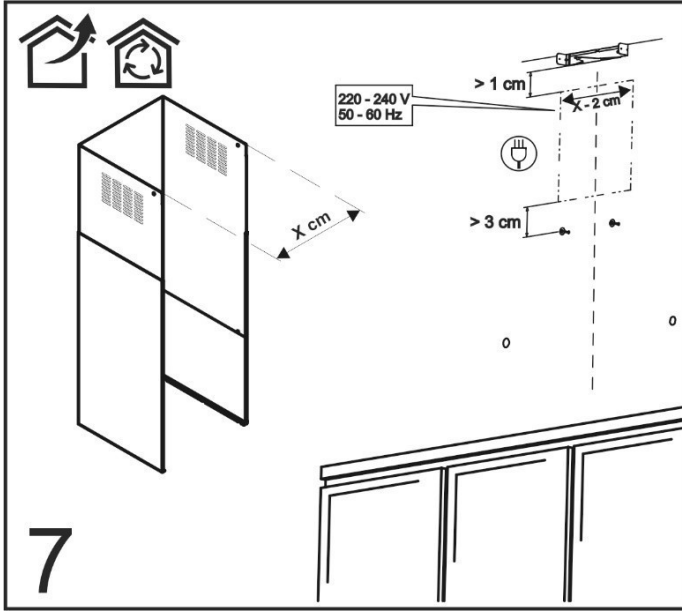


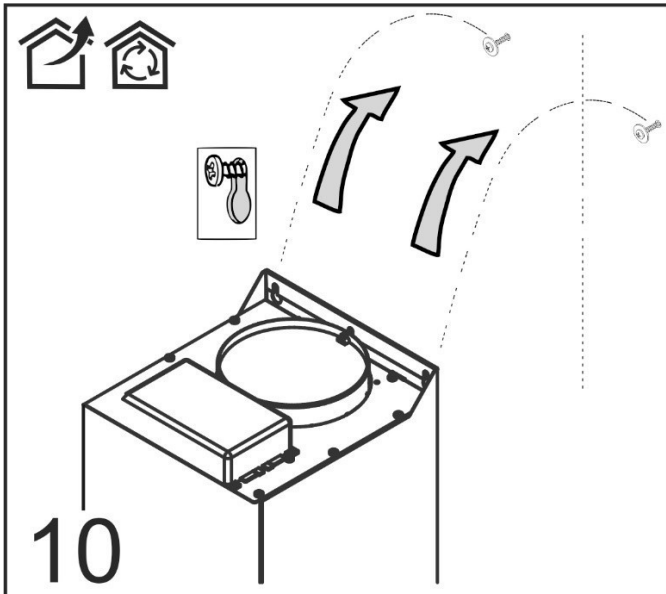
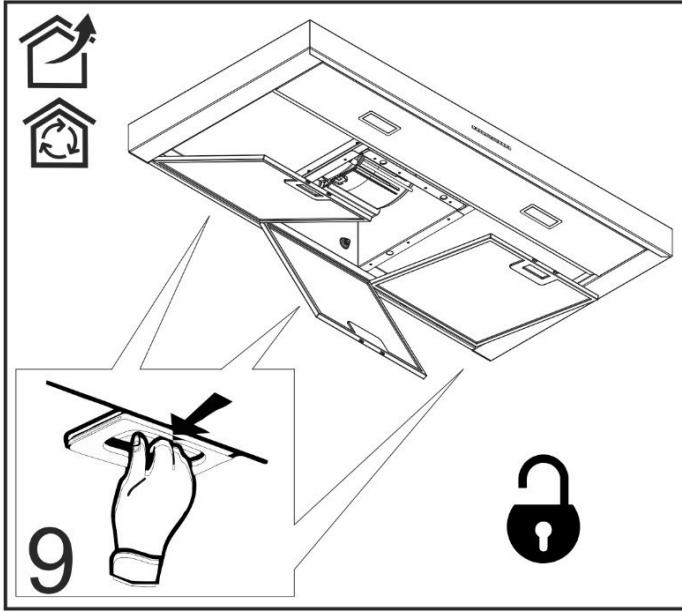
<b>IT</b>	<b>Cappa aspirante</b>	<b>Istruzioni di montaggio e d'uso</b>
<b>EN</b>	<b>Exhaust hood</b>	<b>Instruction on mounting and use</b>
<b>FR</b>	<b>Hotte</b>	<b>Prescriptions de montage et mode d'emploi</b>
<b>DE</b>	<b>Dunstabzugshaube</b>	<b>Montage- und Gebrauchsanweisung</b>
<b>PT</b>	<b>Exaustor</b>	<b>Instruções para montagem e utilização</b>
<b>ES</b>	<b>Campana extractora</b>	<b>Montaje y modo de empleo</b>
<b>NL</b>	<b>Afzuigkap</b>	<b>Montagevoorschriften en gebruiksaanwijzingen</b>
<b>SV</b>	<b>Köksfläkt</b>	<b>Monterings- och bruksanvisningar</b>
<b>DA</b>	<b>Emhætte</b>	<b>Bruger- og monteringsvejledning</b>
<b>NO</b>	<b>Kjøkkenventilator</b>	<b>Instrukser for montering og bruk</b>
<b>RU</b>	<b>Вытяжка</b>	<b>Инструкции по монтажу и эксплуатации</b>
<b>PL</b>	<b>Okap kuchenny</b>	<b>Instrukcja montażu i obsługi</b>

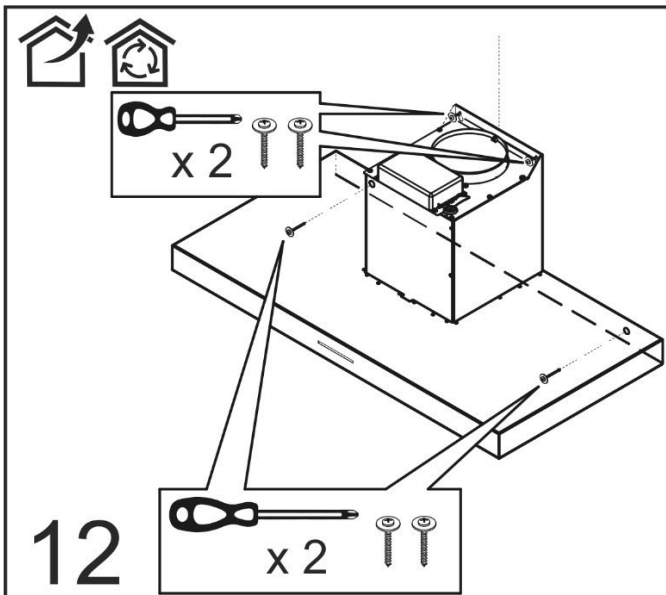
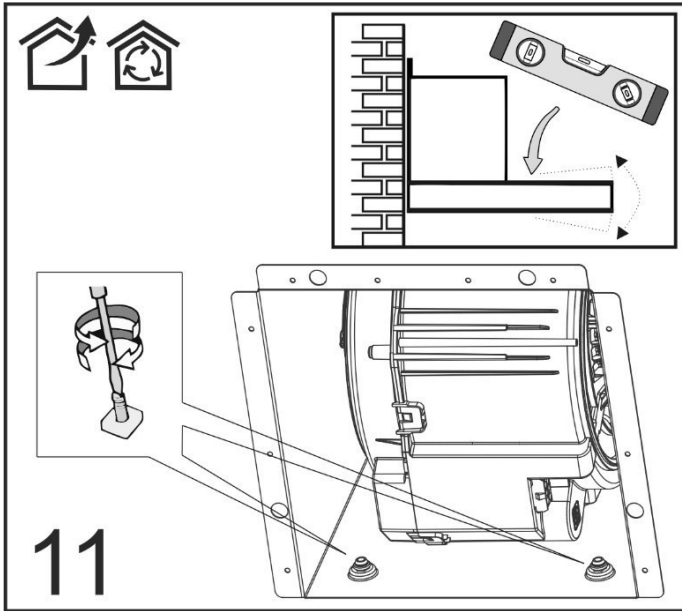


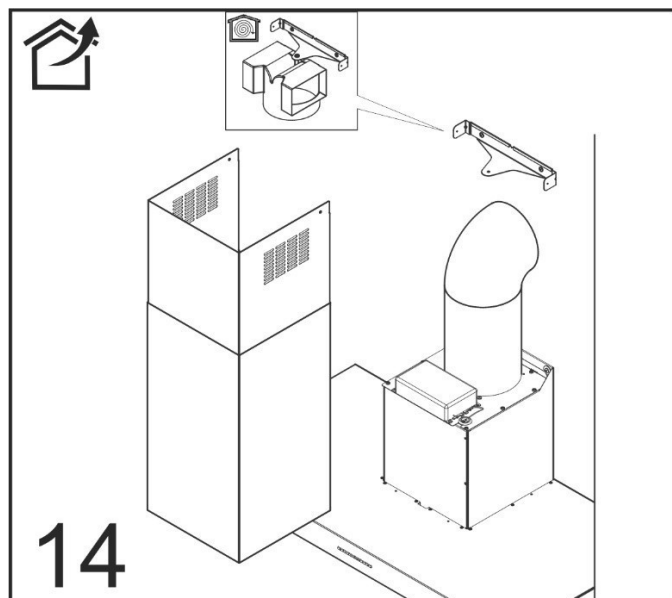
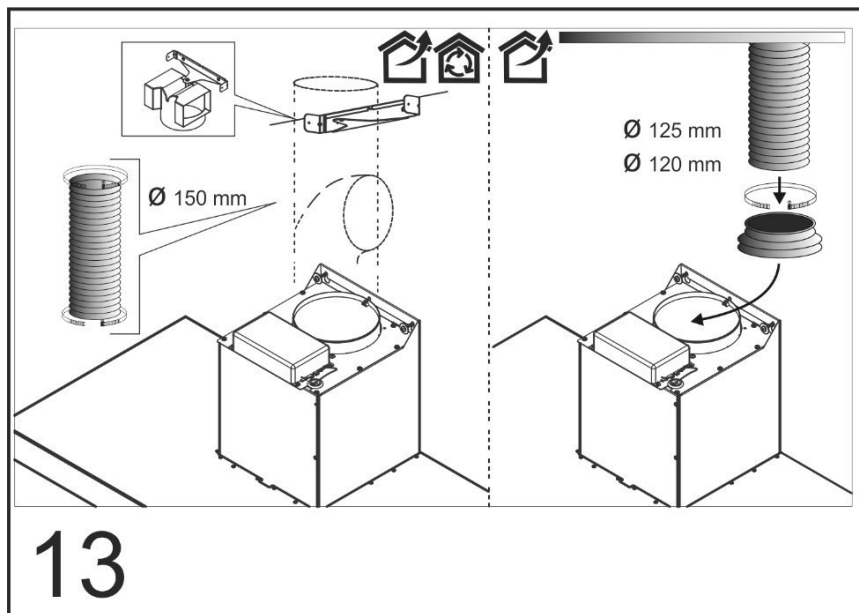


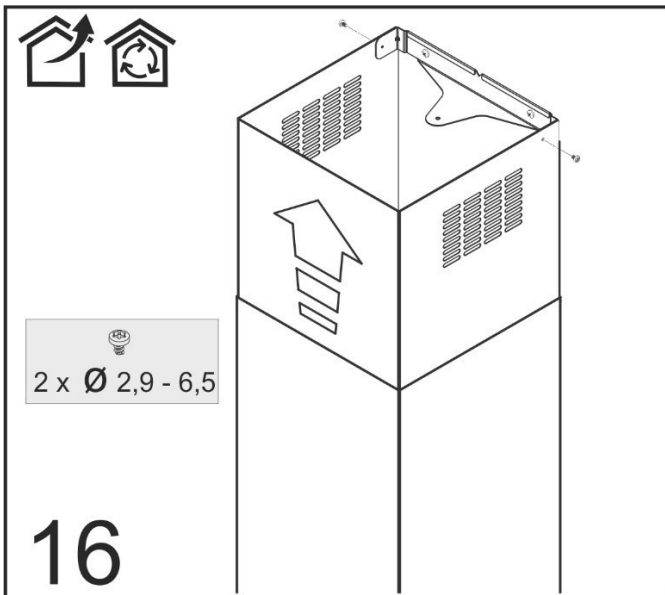
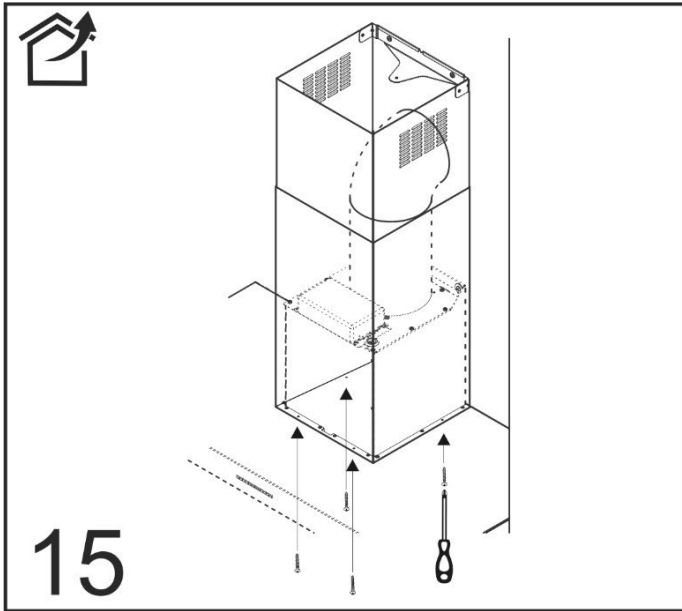


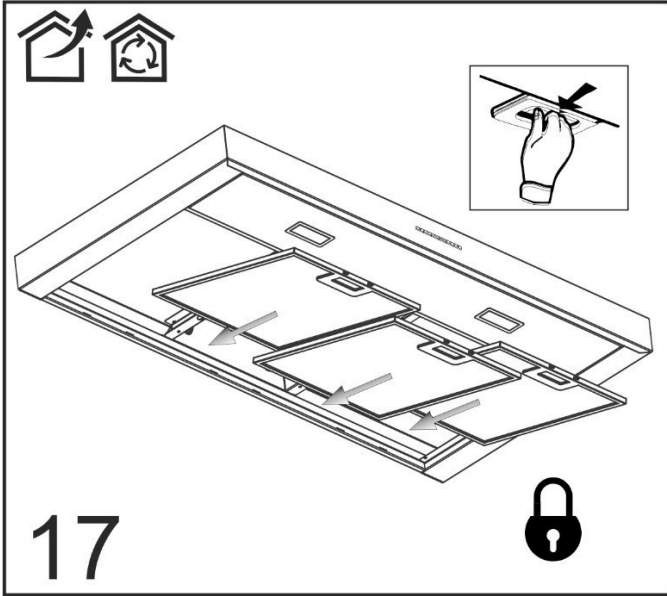












# TRANSLATION OF THE ORIGINAL INSTRUCTIONS

## Safety Instructions

### Read all instructions

Closely follow the instructions set out in this manual. The manufacturer declines all responsibility for any faults, damage or fires caused by the failure to observe the instructions provided in this manual. The hood is designed for extracting cooking fumes and vapours. It is intended for domestic use only.

The hood can appear different to the one illustrated in the drawings in this booklet. However, the instructions for use, maintenance and installation are the same.

! This manual should be kept for future reference. If the appliance is sold, given away or you move to a new house, make sure that it stays with the product.

! Read the instructions carefully: they contain important information regarding installation, use and safety.

! Do not make any electrical or mechanical modifications to the product or the extraction ducts.

! Before installing the appliance, make sure that none of the components are damaged. Otherwise, contact your dealer and do not proceed with the installation.

**Please note:** The items marked with “(\*)” are optional accessories supplied

only with some models or items that are not supplied and that have to be purchased separately.




### **Caution**

Warning! Do not connect the appliance to the mains power supply until installation is complete. Before carrying out cleaning or maintenance, disconnect the hood from the mains power supply by removing the plug or switching off the main circuit breaker. Always wear work gloves when carrying out installation and maintenance. The appliance is not intended to be used by children or by people of reduced physical, sensory or mental capacity or if lacking experience or knowledge in the use of the appliance, unless they are supervised or have been trained to use the appliance

by a person responsible for their safety. Children should be supervised to make sure that they do not play with the appliance.

Do not use the hood if the grid is not mounted correctly! The hood should NEVER be used as a support surface unless specifically indicated. The room in which the hood is installed must be adequately ventilated when the hood is used together with other appliances powered by gas or other fuels. The air that is extracted must not be conveyed into a duct that is used for extracting fumes from appliances powered by gas or other fuels. Do not flambé foods under the hood. The use of open flames can damage the filters and can cause fires and must therefore be avoided.

Frying must be carried out with care so that the oil does not overheat and catch fire. When the hob is in use, the accessible parts of the hood may become hot. Comply with local authority regulations regarding the technical and safety measures to adopt for discharging the fumes. The hood should be cleaned regularly, both internally and externally (AT LEAST ONCE A MONTH and in any case, comply with the maintenance instructions provided in this manual). Failure to follow the instructions for cleaning the hood and replacing the filters can lead to the risk of fire. Do not use or leave the hood without the lamps correctly installed as there is a possible risk of electric shock.

The manufacturer declines all responsibility for any faults, damage or fires caused by the failure to observe the above the instructions provided in this manual. This appliance is marked according to the European directive 2002/96/EC on Waste Electrical and Electronic Equipment (WEEE). By ensuring this product is disposed of correctly, you will help prevent a potential negative impact on the environment and on human health. The  symbol on the product, or in the accompanying documentation, indicates that this product should not be disposed of as household waste but that it should be taken to an appropriate collection point for the recycling of electrical and

electronic equipment. Dispose of the product in accordance with local waste disposal regulations. For further information on treatment, collection and recycling this product, please contact your appropriate local authority department, the household waste collection service or the shop where you purchased this product. This appliance has been designed, tested and built in compliance with the standards on:

- Safety: IEC/EN 60335-1; IEC/EN 60335-2-31, IEC/EN 62233.
- Performance: IEC/EN 61591; ISO 5167-1; ISO 5167-3; ISO 5168; IEC/EN 60704-1; IEC/EN 60704-2-13; ISO 3741; EN 50564; IEC 62301.

- EMC: EN 55014-1; CISPR 14-1; EN 55014-2; CISPR 14-2; IEC/EN 61000-3-2; IEC/EN 61000-3-3.

Recommendations for proper use of the appliance aimed at reducing environmental impact: When you start cooking, switch the hood on at minimum speed and leave it on for a few minutes after you have finished cooking. Increase the speed only if there is a large amount of steam and fumes. Use the booster function only when necessary. Replace the carbon filter(s) whenever necessary in order to maintain a good level of odour reduction efficiency. Clean the grease filter whenever necessary in order to keep it working efficiently. In order to optimise efficiency and reduce noise,

use a duct of the maximum diameter indicated in this manual.

**WARNING!** Failure to install screws or fixing devices according to these instructions can cause electrical hazards.

## Use

The hood is designed to be used either as a ducting version or as a filter version.



### Ducting version

This version conveys the fumes to the outside of the building via an extraction duct that is fixed to the connecting flange.

The diameter of the extraction duct must be the same as that of the connecting ring.

Warning! The duct is not supplied and must be purchased separately.

In the horizontal section, the extraction duct must have a slight upwards inclination (about 10°) so that it can convey the air to the outside more easily. If the hood is fitted with activated carbon filters, they should be removed. Connect the hood to the extraction ducts and wall outlets that have a diameter that is the same as the air outlet (connecting flange). Using ducts and wall outlets that have a smaller diameter will reduce suction and lead to a large increase in noise. We decline any responsibility if these instructions are not complied with.

! Use a duct of the minimum length necessary.

! Use a duct with as few bends as possible (maximum angle:

90°).

- ! Avoid drastic changes in the duct cross-section.
- ! Use a duct that is as smooth as possible inside.
- ! The duct must be made of certified material.



### Filter version

The air will be degreased and deodorised before being returned to the room. To use the hood in this version you have to install an additional activated carbon filtration system.

Models without a suction motor only operate in ducting mode and must be connected to an external suction device (not supplied). Connection instructions are supplied with the external suction unit.

## Installation

The minimum distance between the pan supports on the hob and the lowest part of the hood must not be less than 50cm for electric hobs and 65cm from gas or mixed fuel hobs.

If the installation instructions for the gas hob specify a greater distance, this must be complied with.



### Electrical connection

The mains power supply voltage must be the same as that indicated on the plate inside the hood. If provided with a plug, connect the hood to a socket that is compliant with current regulations and located in an area that is accessible, even after installation. If it is not fitted with a plug (direct mains connection) or if the

plug is not located in an accessible area after installation, use a compliant two-pole switch that assures the complete disconnection of the mains under over-current category III conditions, in accordance with installation regulations.

**WARNING!** Always make sure that the mains power cable has been installed correctly before re-connecting the hood to the mains power supply and making sure that it works correctly.

The hood is provided with a special power cable; if the cable is damaged, request a replacement from the technical support department.

## Save these instructions

### Mounting

Before installation:

- Make sure that the product is of a suitable size for the area in which it is to be installed.
- Remove the activated carbon filter(s) if supplied (see also relative section). This/these should be reinstalled only if you wish to use the hood in the filter version.
- Make sure that (for transport purposes) there are no other items inside the hood (e.g. packets of screws, guarantees etc.), which should be removed and kept.
- If possible, disconnect and move any units

below and around the area of installation of the hood (wall or ceiling) in order to have better access.

Otherwise, protect the furniture units and all the parts involved in the installation as much as possible.

Select a flat surface on which to place the hood and the supplied parts and cover it with a protective cover.

- Also make sure that there is an electric socket available in the area in which the hood is to be installed (which can be accessed even after the hood has been installed) and that it is possible to connect to a device that discharges the

fumes to the outside (ducting version only).

- Carry out all the masonry work required (e.g. installation of an electrical socket and/or a hole for the passage of duct).

The hood is supplied with expansion plugs for fastening the hood to most types of walls/ceilings. However, a qualified technician should verify the suitability of the materials for the type of wall/ceiling. The wall/ceiling must be strong enough to support the weight of the hood.

## 9-BUTTON CAPACITIVE CONTROL PANEL.



FUNCTION	BUTTON
	OFF/ ON / Stand-by.
<b>1</b>	Fan speed 1.
<b>2</b>	Fan speed 2.
<b>3</b>	Fan speed 3.
	Boost Function.
	Light On / Off / Adjustment.
	24h function .
	Switch off delay function.
<b>F</b>	Clean filter indicator.

**ON / OFF:**

When power is turned on to the hood, it will be in the OFF mode. The

icon is lit dimly and the functions are disabled. To enable the hood functions, touch the symbol

. The hood will go into the Stand-By mode, in which the icons are lit dimly, ready to activate the functions. The functions are activated by touching the corresponding icon, which will light up more brightly.



To switch off the hood (OFF) or to put it back in Stand-By mode, touch the symbol .

**FAN SPEED SELECTION.**

With the extractor hood in Stand-By mode, touch **1**, **2**, **3** to select or modify the fan speed.


Pressing the symbol again disables the function.

## BOOST FUNCTION


Touching the icon , sets the extraction fan to maximum speed for 7 minutes, after which it automatically reverts to speed 3. Touch the same button to disable the function . The icon flashes while the boost function is active and it will not be possible to activate the delayed switch off function.

## DELAYED SWITCH OFF FUNCTION




Automatic switch off can be delayed by 10 minutes at any set speed, except when BOOST mode is enabled. When the  button is touched to activate the function, the icon lights up more brightly. To disable the function, touch the symbol again.



## LIGHT ON / OFF / ADJUSTMENT.

Briefly touching the  icon turns the light on or off. Keeping this symbol pressed for more than 1 second varies the brightness of the light continuously from minimum to maximum, until it is released. When the button is released, the level of


brightness will be saved to memory, and used each time the hood is switched on.

Tapping the symbol twice quickly when the light is off  will set it to maximum brightness.

## “Tunable White” function.

Touching the , and  symbols at the same time activates the “Tunable White” function, i.e. setting of the light colour temperature. The light colour temperature changes from cold to warm and vice versa until the two buttons are released; the selection will be saved to memory and used each time the hood is switched on.

## 24h FUNCTION.

Allows the air to be changed by activating the extractor fan at speed 1 for 10 minutes every hour. When the hood is in Stand-by mode (all buttons dimly lit), touching the  symbol to activate the function will cause the relative icon to light up. The function is automatically deactivated after 24 hours of operation. You can also disable it by touching the icon again.

When the extractor fan is in operation, the speed icon **1** will also be lit.

## CLEAN FILTERS INDICATOR **F**

Every 100 hours of actual hood operation, the **F** symbol will light up to indicate that the filters should be cleaned / replaced. (see MAINTENANCE in the CLEANING section). Touch the **F** symbol for 3 seconds to reset it.

## AUTO-VENT 2.0 FUNCTION (Connection to a SMEG enabled hob)

This function is only available in combination with a SMEG hob with wireless connectivity. It allows the hood to operate automatically in response to commands from the hob.

**The connection is always unidirectional, from the hob to the hood: it is not possible to control the hob via the hood.**

When the hood is in Stand-by mode (all buttons dimly lit), the **1**, **2**, **3** buttons flash every 5 seconds to indicate that the automatic function is active. In automatic mode, the

hood adjusts the speed of the extractor fan according to the operation of the hob. Refer to the hob instructions manual for information on the various functions that can be set.

When the hob is switched off, the hood goes back into Stand-by mode with the automatic function still active (buttons 1-2-3 flash every 5 seconds).

Touching any of the controls on the hood during automatic operation will disable the function. To restart it, you have to switch the hood off (OFF) and on again (Stand-by).

### Maintenance

**WARNING!** Before carrying out cleaning or maintenance, disconnect the hood from the mains power supply by removing the plug or switching off the main circuit breaker.

### Cleaning

The hood should be cleaned, both internally and externally, regularly (at least as often as you service the grease filters). Use a cleaning cloth moistened with neutral liquid detergents. Do not use abrasive products. **DO NOT USE ALCOHOL!**

Warning: Failure to follow the instructions for cleaning the appliance and replacing the filter can

lead to the risk of fire. Follow the instructions carefully.

The manufacturer will not be held liable for any damage to the motor or fires caused by incorrect maintenance or failure to follow the above instructions.

### **Grease filter**

Retains the particles of grease produced during cooking. It should be cleaned at least once a month (or when the filter saturation indication system - if installed on the model in your possession - indicates that it is necessary to do so) using a non-aggressive detergent, either by hand or with a short, low temperature, dishwasher cycle. If washed in a dishwasher, the metal grease filter may change colour, but this does not affect its performance in any way. Pull the spring release handle to remove the grease filter.

### **Lamp Replacement**

The hood is equipped with a LED lighting system.

The LEDs guarantee optimum lighting, last up to 10 times longer than traditional lamps, and allow energy savings of up to 90%. For replacement, contact the technical support service.