

# DRIVING LIGHT Product Manual



**6000K**

COLOR TEMPERATURE

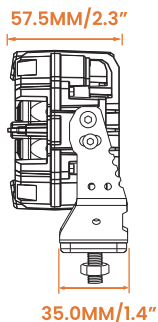
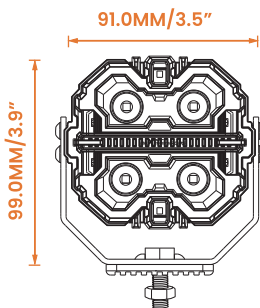
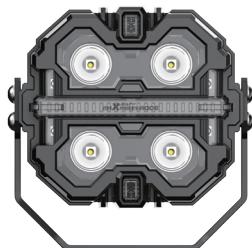
**IP68**

WATERPROOF RATED

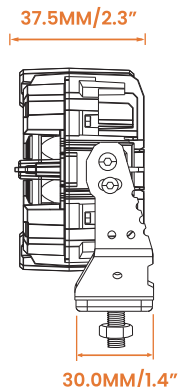
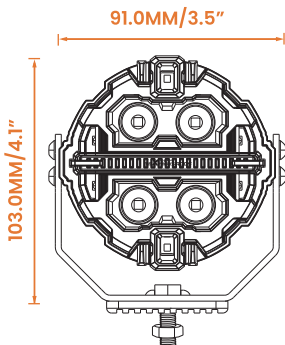
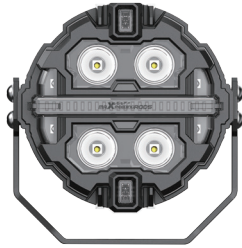
**86W/70W**

POWER(W/PAIR)

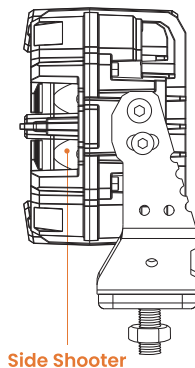
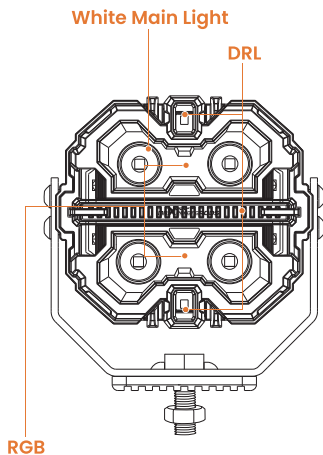
# LED LIGHT SPECIFICATIONS



PRODUCT	01009	01010	01011	01012
SHAPE	Square	Square	Square	Square
COLOUR	Matte black	Matte black	Glossy black	Glossy black
MODE	Spot+ Side Shooter +DRL	Spot+ Side Shooter+RGB +DRL	Spot+ Side Shooter +DRL	Spot+ Side Shooter+RGB +DRL
POWER/PAIR	70w	86w	70w	86w
LUMEN/PAIR	6000lm	7600lm	6000lm	7600lm
VOLTAGE	9 - 32V	12V	9 - 32V	12V
IP RATING	IP68	IP68	IP68	IP68
COLOR TEMPERATURE	6000K	6000K	6000K	6000K
LIGHT SOURCE TYPE	LED	LED	LED	LED



PRODUCT	01013	01014	01015	01016
SHAPE	Round	Round	Round	Round
COLOUR	Matte black	Matte black	Glossy black	Glossy black
MODE	Spot+ Side Shooter +DRL	Spot+ Side Shooter+RGB +DRL	Spot+ Side Shooter +DRL	Spot+ Side Shooter+RGB +DRL
POWER/PAIR	70w	86w	70w	86w
LUMEN/PAIR	6000lm	7600lm	6000lm	7600lm
VOLTAGE	9 - 32V	12V	9 - 32V	12V
IP RATING	IP68	IP68	IP68	IP68
COLOR TEMPERATURE	6000K	6000K	6000K	6000K
LIGHT SOURCE TYPE	LED	LED	LED	LED



## PACKAGE INCLUDE

- 2\* LED driving light
- 1\* Wiring harness
- 2\* Sets of mounting accessories and brackets
- 1\* Product manual
- 4\* Black lampshade

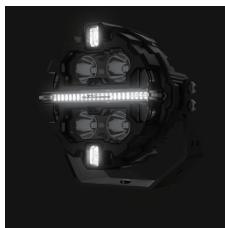
## FUNCTIONALITY

### DRL series(3Types)

1. White spot+white side shooter
2. DRL
3. White spot+white side shooter+ DRL



white  
spot+white side  
shooter



DRL



white  
spot+white side  
shooter+ DRL

## DRL+RGB series(3Types)

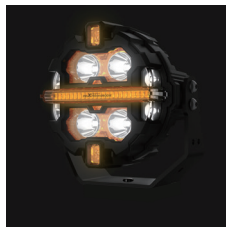
1. White spot+white side shooter
2. DRL+RGB
3. White spot+white side shooter+ DRL+RGB



white  
spot+white side  
shooter



DRL+RGB



white spot+white side  
shooter+ DRL+RGB

### NOTE:

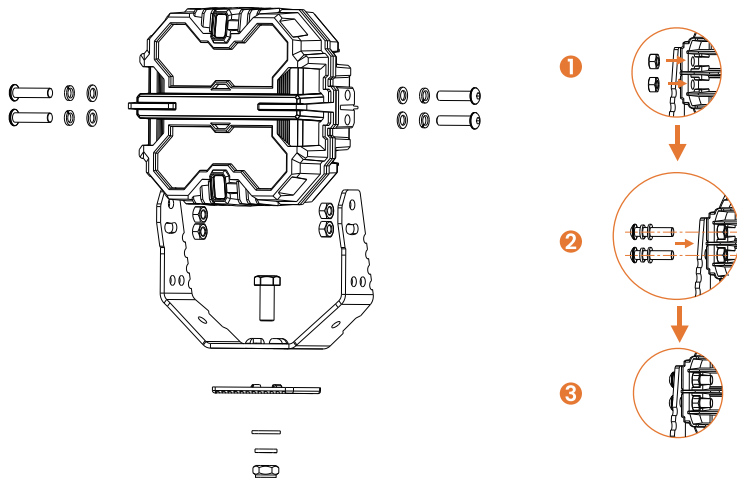
- ① The above functions are controlled by the switch and the switch has a memory function.
- ② DRL+RGB lights include synchronization function. The lights on the same circuit will synchronize together when the color selection switch is activated.
- ③ The DRL light has white and yellow options to choose, which can be switched through the DRL switch:
  - Press the DRL switch once to turn on the white light
  - Press the DRL switch again to turn on the yellow light
  - To turn off the DRL lights, long press the DRL switch
- ④ The DRL+RGB lights can select multiple available background light color options from the following operations:
  - Turn on the RGB switch
  - Continue pressing the RGB switch continuously until the desired color is selected
  - To turn off the DRL+RGB lights, long press the RGB switch

### Backlight Color Option

- |         |                       |
|---------|-----------------------|
| • White | • Blue                |
| • Amber | • Purple              |
| • Red   | • Cyan                |
| • Green | • Rotating Color Mode |

# INSTALLATION INSTRUCTIONS

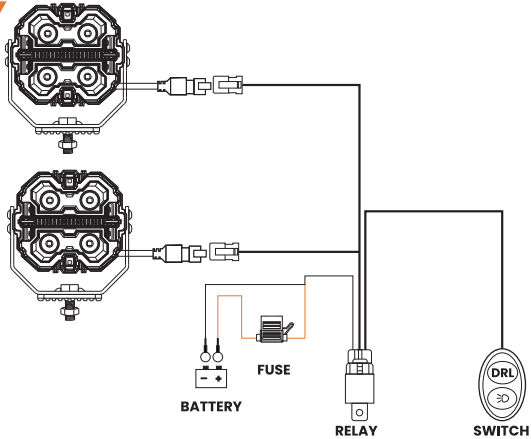
1. Install mounting brackets onto lights as shown below.



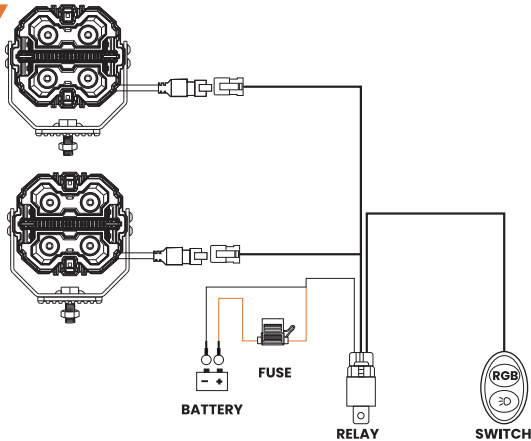
2. Find a suitable mounting location that will allow for running wires and mounting the LED lights. Drill holes yourself if necessary.
3. Mount the lights with the provided hardware, being sure not to over tighten the hardware (for subsequent adjustments).
4. First, connect the wiring harness to the light. Please make sure to disconnect the battery before operation. When arranging wires, be sure to keep away from any heat sources or moving parts. If the wiring harness needs to pass through any object's surface, ensure that there are no sharp edges on the objection's surface that may cause short circuits.
5. Find an appropriate position for the switch and install it. During the process, the switch can be removed from the wiring harness for easier installation.
6. Connect the black (ground) wire ring to the negative terminal of the battery. Connect the red (power) wire ring to the positive terminal of the battery.
7. Secure the relay to a suitable position and test the lights to make sure the circuit works.
8. Finally, aim the lights in the desired direction and tighten all the mounting hardware.

as shown below

## DRL



## RGB



### **⚠ WARNING:**

1. This product features a high-intensity LED device. To avoid eye damage, please refrain from staring directly into the light beam at close range.
2. For off-road use only.
3. Installation must be performed by a certified professional.
4. Ensure all electrical connections are secure before use. Improper installation may result in electrical shock, short circuit, or fire hazards.
5. You confirm that you have fully understood the risks and voluntarily assume all consequences and legal responsibilities that may arise from using this product. You should ensure that the vehicle after installing this product complies with the requirements of relevant national and local laws and regulations, and the use of this product is limited to specific scenarios allowed by laws and regulations.

**⚠ WARNING:** Cancer and Reproductive Harm: <http://www.p65warning.ca.gov>.

**MAX**  **PEEDING** **RODS**