

# Hand Sinks with Skirt, Knee Valve, or Towel Dispenser

## ASSEMBLY INSTRUCTIONS

For Hand Sinks with Skirt, see page 2.

For Hand Sinks with Knee Valve, see page 3.

For Hand Sinks with Towel Dispenser, see back page.

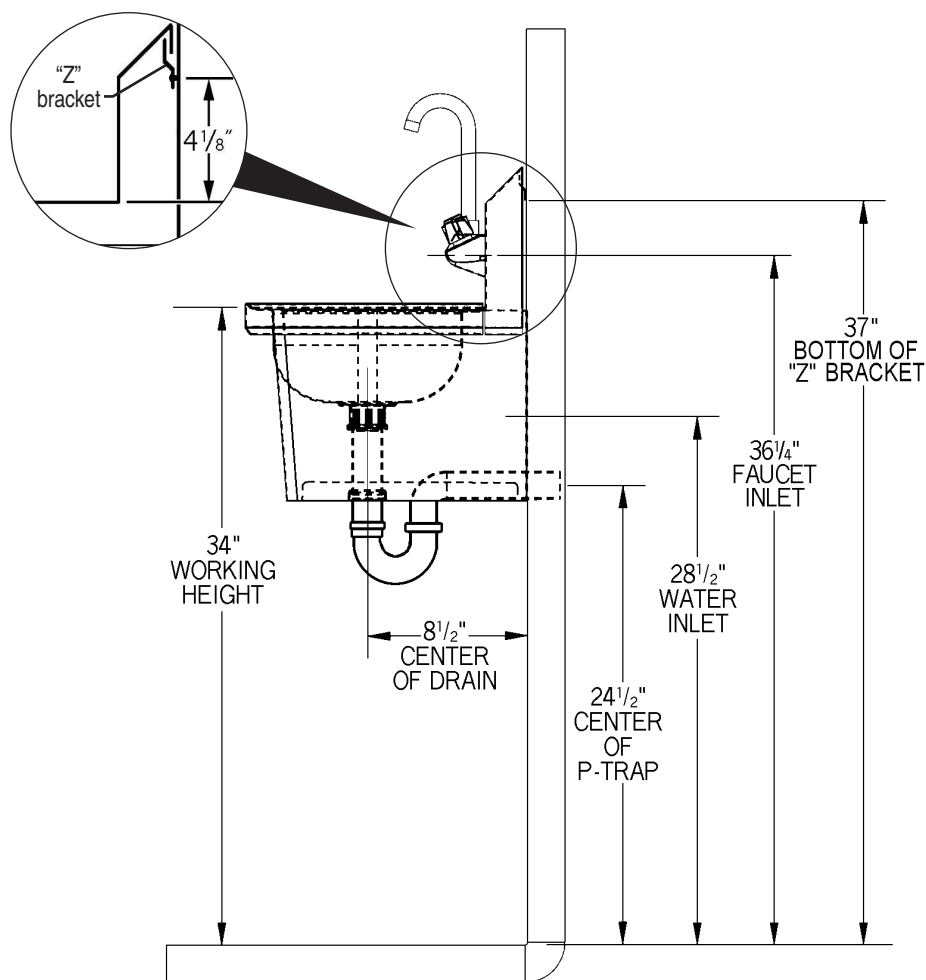
### CAUTION

INSPECT CONTENTS IMMEDIATELY AND FILE CLAIM WITH DELIVERING CARRIER FOR ANY DAMAGE.

**SAVE YOUR BOX AND ALL PACKING MATERIALS.**

YOU ARE RESPONSIBLE FOR DAMAGE TO YOUR UNIT IF RETURNED IMPROPERLY PACKED.

### Dimensions for plumbing rough-ins:



(continued on page 2)

EG10051 Revised 05/15



• 100 Industrial Boulevard, Clayton, Delaware 19938-8903 U.S.A. • [www.eaglegrp.com](http://www.eaglegrp.com)  
• Phone: 302/653-3000 • (Foodservice) 800/441-8440 • (MHC/Retail) 800/637-5100  
• Fax: 302/653-2065

Eagle Foodservice Equipment, Eagle MHC, SpecFAB®, and Retail Display are divisions of Eagle Group. ©2015 by the Eagle Group

# Hand Sinks with Skirt

## ASSEMBLY INSTRUCTIONS

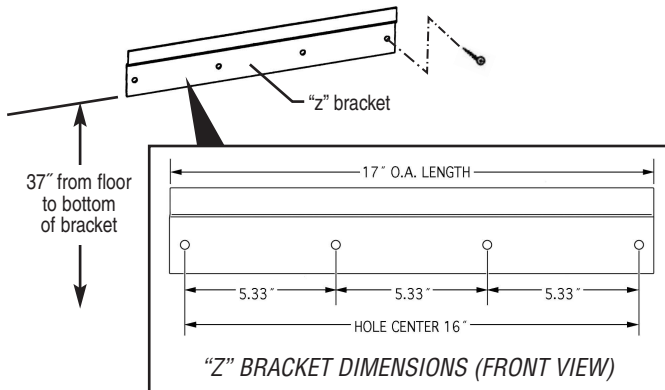
### Please note before assembly:

- Attach faucet to hand sink per faucet instructions.
- Remove the locking nuts from underside of hand sink and set aside.
- Please follow the plumbing rough-ins (front page). All dimensions are nominal.

### Step 1 - Attach "z" bracket.

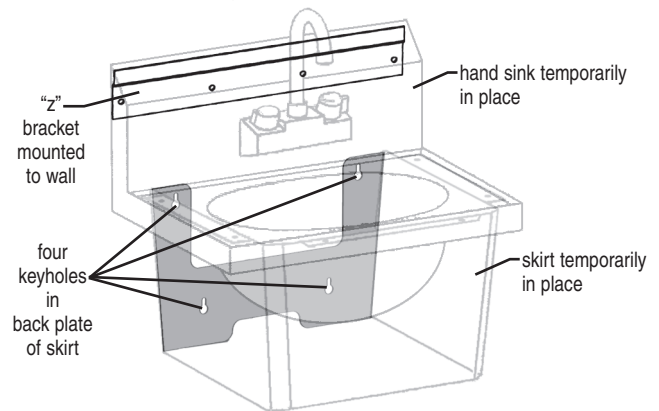
Use a level for straightness.

(Note: Mounting hardware not included.)



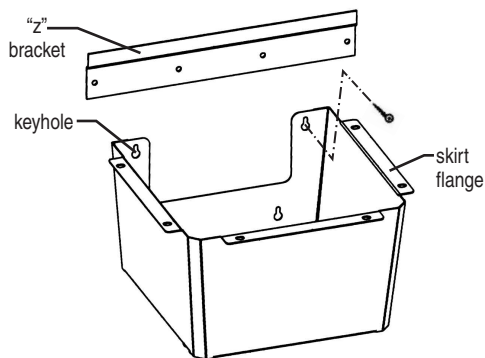
### Step 2 - Mark holes for skirt.

- Temporarily hang hand sink off "z" bracket.
- Hold skirt to underside of hand sink as if attaching (as shown in Step 4).
- Mark location of keyholes and set aside hand sink.

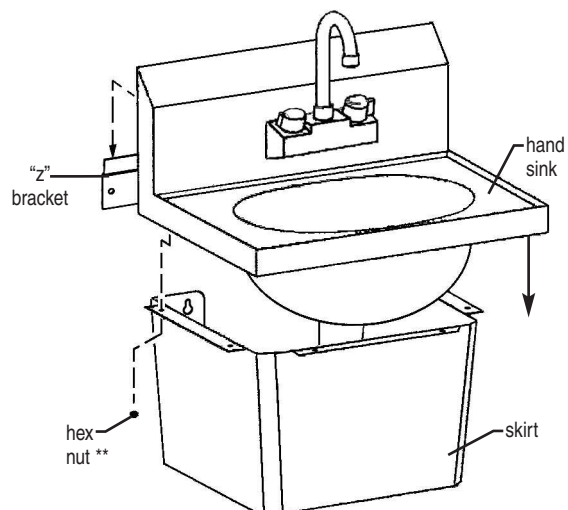


### Step 3 - Mount skirt to wall.

(Note: Mounting hardware not included.)



### Step 4 - Mount hand sink to skirt.



\*\* Two hex nuts per side, two in front. Hex nuts provided. (If hex nuts are not present, see note below.)

(End)

**NOTE:** Skirt available as accessory to most hand sinks, or as replacement component to Hand Sinks with Skirt. When ordered separately, skirt comes with two-sided adhesive tape instead of hex nuts.

# Hand Sinks with Knee Valve

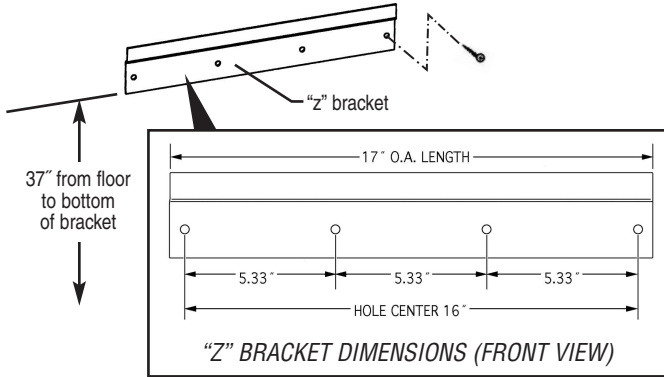
## ASSEMBLY INSTRUCTIONS

### Please note before assembly:

- Attach spout and water lines to hand sink per knee valve instructions.
- Attach pedals to knee valve bracket per knee valve instructions.
- Remove the locking nuts from underside of hand sink and set aside.
- Please follow the plumbing rough-ins (front page). All dimensions are nominal.

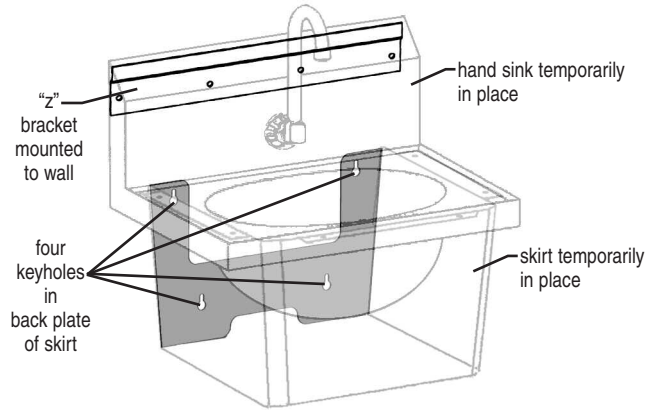
### Step 1 - Attach "z" bracket.

Use a level for straightness.  
(Note: Mounting hardware not included.)



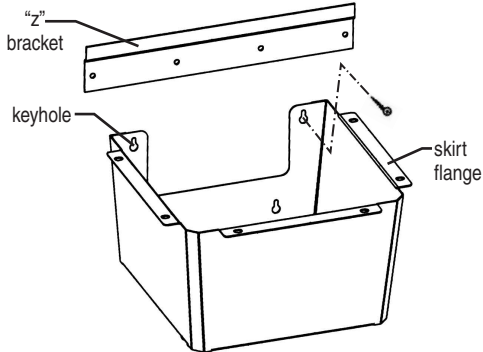
### Step 2 - Mark holes for skirt.

- Temporarily hang hand sink off "z" bracket.
- Hold skirt to underside of hand sink as if attaching (as shown in Step 4).
- Mark location of keyholes and set aside hand sink.

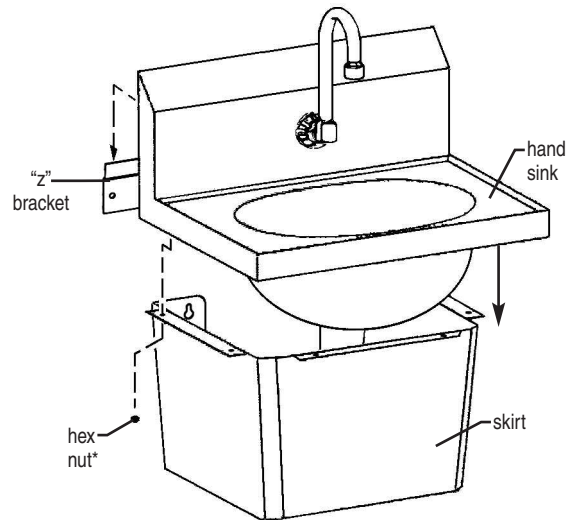


### Step 3 - Mount skirt to wall.

(Note: Mounting hardware not included.)

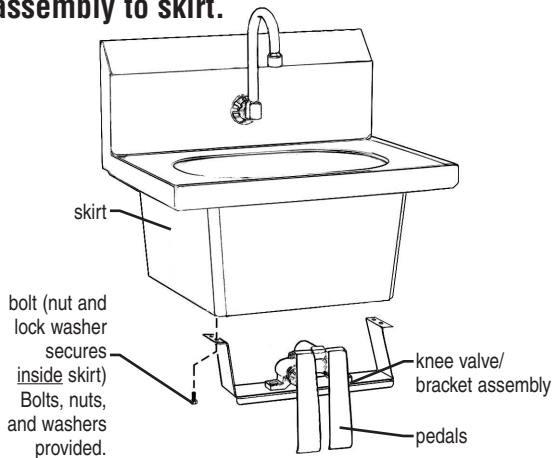


### Step 4 - Mount hand sink to skirt.



\* Two hex nuts per side, two in front.  
Hex nuts provided.

### Step 5 - Mount knee valve/bracket assembly to skirt.



### Step 6 - Attach lines to pedals per knee valve instructions.

(End)

# Hand Sinks with Towel Dispenser

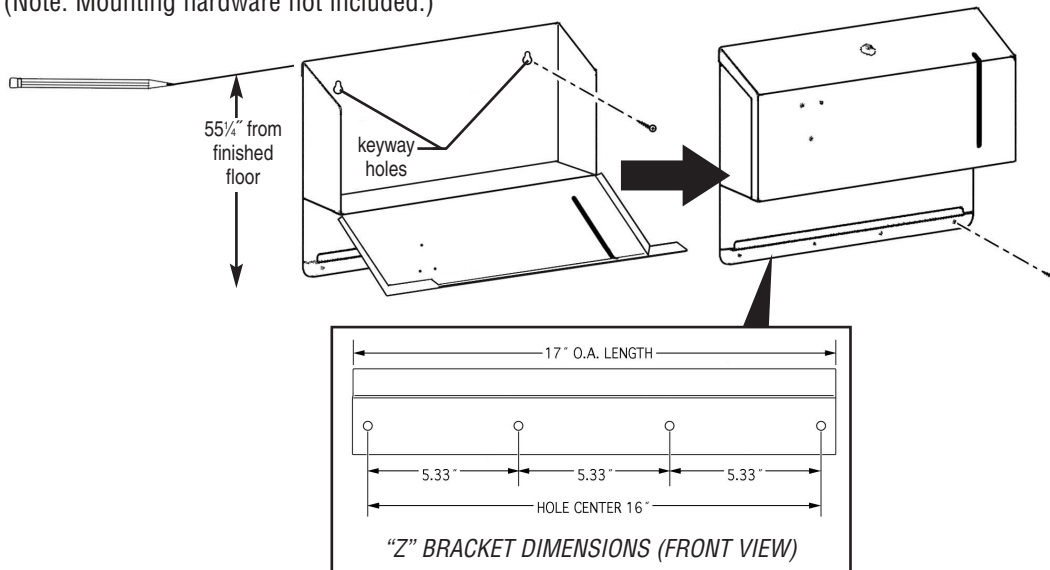
## ASSEMBLY INSTRUCTIONS

### Please note before assembly:

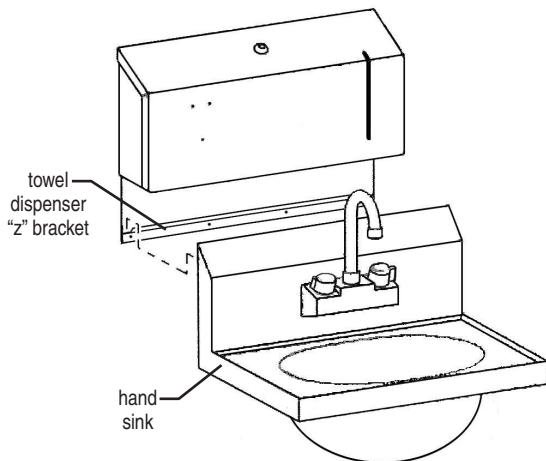
- Attach faucet to hand sink per faucet instructions.
- Please follow the plumbing rough-ins (front page). All dimensions are nominal.

### Step 1 - Mount towel dispenser to wall.

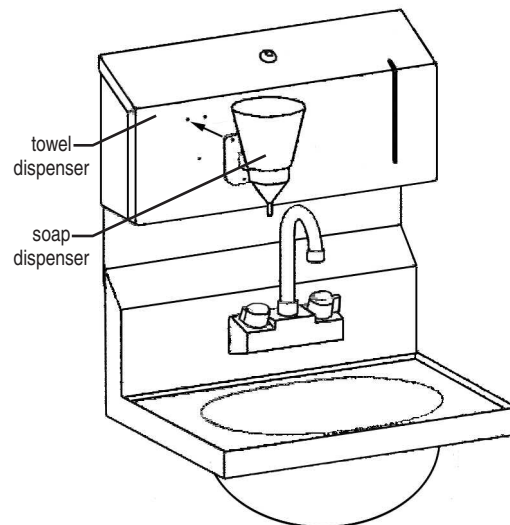
(Note: Mounting hardware not included.)



### Step 2 - Hang hand sink off of towel dispenser "z" bracket.



### Step 3 - Attach soap dispenser to towel dispenser.



(End)