

Operating and installation instructions Freezer



To avoid the risk of accidents or damage to the appliance it is **essential** to read these instructions before it is installed and used for the first time.

Contents

Warning and Safety instructions	4
Caring for the environment	12
Saving energy	13
Guide to the appliance	15
Switching on and off	17
Before using for the first time	17
Cleaning the appliance	17
Switching off for longer periods of time	18
The correct temperature	19
Setting the temperature	19
Temperature display	19
Using Super freeze	20
Super freeze function	20
Temperature alarm	21
Switching the temperature alarm off early	21
Selecting further settings	22
Settings mode	22
Freezing and storing food	24
Maximum freezing capacity	24
Freezing fresh food	24
Storing frozen food	24
Home freezing	25
Storage time for frozen food	27
Defrosting frozen goods	27
Cooling drinks quickly	28
Adjusting the interior fittings	28
Using accessories	28
Defrosting	29
Cleaning and care	31
Cleaning agents	31
Preparing the refrigeration appliance for cleaning	32
Cleaning the interior and accessories	32
Cleaning the door seal	33
Cleaning the ventilation gaps	33

Problem solving guide	35
Noises	41
Service	42
Contact in case of malfunction	42
Warranty	42
Installation	43
Installation	43
Location	43
Ventilation	44
Furniture door panel	46
Before installing the appliance	47
Building-in dimensions	49
Changing the door hinging	50
Changing the door hinging	50
Installing the appliance	52
Fitting the furniture door	61
Electrical connection	67

Warning and Safety instructions

This refrigeration appliance complies with current safety requirements. Inappropriate use can, however, lead to personal injury and material damage.

Please read the operating and installation instructions carefully before using the refrigeration appliance for the first time. They contain important information on safety, installation, use and maintenance. This is to protect yourself from injury, and from damaging your refrigeration appliance.

In accordance with standard IEC 60335-1, Miele expressly and strongly advises that you read and follow the instructions in the chapter on installing the appliance as well as the safety instructions and warnings.

Miele cannot be held liable for injury or damage caused by non-compliance with these instructions.

Keep these instructions in a safe place and pass them on to any future owner.

Correct application

- ▶ This refrigeration appliance is intended for use in the home and in similar environments, for example
 - in shops, offices and similar work settings
 - by the guests in hotels, motels, bed & breakfasts and other typical home settings.

This refrigeration appliance is not intended for outdoor use.

- ▶ It must only be used as a domestic appliance to store deep frozen food, freeze fresh food and to make ice.
Any other usage is not supported by the manufacturer and could be dangerous.

Warning and Safety instructions

▶ This appliance is not suitable for storing and keeping cool medicines, blood plasma, laboratory preparations or other such materials or products. Incorrect use of the appliance for such purposes can cause deterioration of the items stored. The appliance is not suitable for use in areas where there is a risk of explosion.

Miele cannot be held liable for damage resulting from improper or incorrect use of the appliance.

▶ The appliance can only be used by people with reduced physical, sensory or mental capabilities, or lack of experience and knowledge, if they are supervised whilst using it, or have been shown how to use it in a safe way and recognise and understand the consequences of incorrect operation.

Safety with children

▶ Children under 8 years of age must be kept away from the refrigeration appliance unless they are constantly supervised.

▶ Children 8 years and older may only use the appliance unsupervised if they have been shown how to use it in a safe way and recognise and understand the consequences of incorrect operation.

▶ Children must not be allowed to clean or maintain the appliance unsupervised.

▶ Please supervise children in the vicinity of the appliance and do not let them play with it.

▶ Danger of suffocation! Whilst playing, children could become entangled in packaging (such as plastic wrapping) or pull it over their head and suffocate. Keep packaging material away from children.

Technical safety

▶ The coolant system is tested for leaks. This appliance complies with statutory safety requirements and the appropriate EU guidelines.

Warning and Safety instructions



► This refrigeration appliance contains the coolant Isobutane (R600a), a natural gas which is environmentally friendly. The coolant does not damage the ozone layer and does not contribute to the greenhouse effect.

The use of this coolant has, however, led to a slight increase in the noise level of the appliance. In addition to the noise of the compressor, you might be able to hear the coolant flowing around the cooling circuit. Unfortunately, this cannot be avoided, but it does not affect the performance of the refrigeration appliance.

When transporting and installing the refrigeration appliance, ensure that no parts of the cooling circuit are damaged. Splashes of coolant can damage the eyes.

In the event of damage:

- Avoid naked flames or anything which creates a spark.
- Disconnect the refrigeration appliance from the mains electricity supply.
- Ventilate the room where the refrigeration appliance is located for several minutes.
- Contact the Miele Customer Service Department.

► The more coolant there is in a refrigeration appliance, the larger the room it should be installed in. In the event of a leakage, if the appliance is in a small room, there is the danger of combustible gases building up. For every 11 g of coolant at least 1 m³ of room space is required. The amount of coolant in the appliance is stated on the data plate inside the appliance.

► To avoid the risk of damage to the appliance, make sure that the connection data (fuse rating, frequency and voltage) on the data plate corresponds to the household supply.

Check that this is the case before connecting the appliance. Consult a qualified electrician if in any doubt.

Warning and Safety instructions

- ▶ The electrical safety of this appliance can only be guaranteed when correctly earthed. It is essential that this standard safety requirement is met. If in any doubt please have the electrical installation tested by a qualified electrician.
- ▶ Reliable and safe operation of this appliance can only be assured if it has been connected to the mains electricity supply.
- ▶ If the electrical connection cable is faulty it must only be replaced by a Miele authorised service technician to protect the user from danger.
- ▶ Do not connect the appliance to the mains electrical supply by a multi-socket adapter or extension lead. These are a fire hazard and do not guarantee the required safety of the appliance.
- ▶ If moisture gets into electrical components or into the mains connection cable, it could cause a short circuit. Therefore, do not operate this refrigeration appliance in areas which are exposed to moisture (e.g in a garage or utility room).
- ▶ This appliance must not be used in a non-stationary location (e.g. on a ship).
- ▶ Do not use a damaged appliance. It could be dangerous. Check the appliance for visible signs of damage.
- ▶ For safety reasons, this appliance may only be used after it has been built in.
- ▶ The appliance must be isolated from the electricity supply during installation, maintenance and repair work.
- ▶ Unauthorised installation, maintenance and repairs can cause considerable danger for the user. Installation, maintenance and repairs must only be carried out by a Miele authorised technician.

Warning and Safety instructions

- ▶ While the appliance is under warranty, repairs should only be undertaken by a Miele authorised service technician. Otherwise the warranty is invalidated.
- ▶ Miele can only guarantee the safety of the appliance when genuine original Miele replacement parts are used. Faulty components must only be replaced by Miele spare parts.

Correct use

- ▶ The appliance is designed for use within a certain climate range (ambient temperatures), and should not be used outside this range. The climate range for your appliance is stated on the data plate inside the appliance. Installing it in a room with too low an ambient temperature, e.g. a garage, will lead to the appliance switching off for longer periods so that it cannot maintain the required temperature.
- ▶ Do not cover or block the air vents as this could impair the efficiency of the appliance, increase the electricity consumption and could cause damage to the components.
- ▶ If storing food which contains a lot of fat or oil in the appliance or the door, make sure that it does not come into contact with plastic components as this could cause stress cracks or break the plastic.
- ▶ Risk of fire and explosion. Do not store explosive materials in the refrigeration appliance or any products containing propellants (e.g. spray cans). Electrical components can cause flammable mixes of gases to ignite.
- ▶ Danger of explosion. Do not operate any electrical equipment (e.g. an electric ice-cream maker) inside the refrigeration appliance. Danger of sparking and explosion.
- ▶ Do not store cans or bottles containing carbonated drinks or liquids which could freeze in the freezer. The cans or bottles could explode. Danger of injury and damage to the appliance.

Warning and Safety instructions

- ▶ When cooling drinks quickly in the freezer, make sure bottles are not left in for more than one hour; otherwise they could burst, causing injury or damage.
- ▶ Danger of injury. Never handle frozen food or the metal parts of the appliance with wet hands. Your hands may freeze to the frozen food or to the metal.
- ▶ Danger of injury. Do not take ice cubes out with your bare hands and never place ice cubes or ice lollies in your mouth straight from the freezer zone. The very low temperature of the frozen food can cause frost burn to the lips and tongue.
- ▶ Do not refreeze partially or fully defrosted food. Consume defrosted food as soon as possible, as it will lose its nutritional value and spoil if left for too long. Defrosted food may only be re-frozen after it has been cooked.
- ▶ Observe the manufacturer's "use-by" dates and storage instructions given on food to avoid the risk of food poisoning. Storage times will depend on several factors, including the freshness and quality of the food, as well as the temperature at which it is stored.
- ▶ Only use genuine original Miele accessories and spare parts with this appliance. Using accessories or spare parts from other manufacturers will invalidate the warranty, and Miele cannot accept liability.

Cleaning and care

- ▶ Do not use any oils or grease on the door seals, as these will cause the seals to deteriorate and become porous with time.
- ▶ Do not use a steam cleaning appliance to clean or defrost this appliance. Steam could reach electrical components and cause a short circuit.
- ▶ Sharp edged or pointed objects will damage the evaporator, causing irreversible damage to the appliance. Do not use sharp edged or pointed objects to

Warning and Safety instructions

- remove frost and ice,
 - separate frozen foods or remove ice trays.
- ▶ Do not place electric heaters or candles in the appliance to defrost it. These can damage the plastic parts.
- ▶ Do not use defrosting sprays or de-icers, as they could contain substances which could damage the plastic parts or which might cause the build-up of gases and pose a danger to health.

Transport

- ▶ Always transport the appliance in an upright position and in its original transport packaging to avoid damage in transit.
- ▶ Danger of injury and damage to the appliance. The refrigeration appliance is very heavy and must be transported by two people.

Disposal of your old appliance

- ▶ If your old refrigeration appliance has a door lock, destroy it. This will prevent the risk of children playing accidentally locking themselves in and endangering their lives.
- ▶ Splashes of coolant can damage the eyes. Be careful not to damage any part of the pipework whilst awaiting disposal, e.g. by
- puncturing the coolant channels in the condenser,
 - bending any pipework, or
 - scratching the surface coating.

Symbol on the compressor (depending on model)

This information is only relevant for recycling. There is no risk during normal operation.



- ▶ The oil in the compressor can be fatal if swallowed or if it penetrates the airways.

Caring for the environment

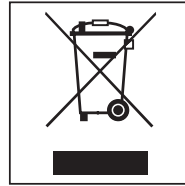
Disposal of the packing material

The packaging is designed to protect the appliance from damage during transportation. The packaging materials used are selected from materials which are environmentally friendly for disposal and should be recycled.

Recycling the packaging reduces the use of raw materials in the manufacturing process and also reduces the amount of waste in landfill sites.

Disposing of your old appliance

Electronic and electrical appliances contain many valuable materials. They also contain certain materials, compounds and components which were essential for their correct functioning and safety. These could be hazardous to your health and to the environment if disposed of with general waste or if handled incorrectly. Please do not, therefore, dispose of your old appliance with general waste.



Instead, please make use of officially designated collection and disposal points to dispose of and recycle electrical and electronic appliances in your local community, with your dealer or with Miele. By law, you are solely responsible for deleting any personal data from the appliance prior to disposal.

Take care not to damage your refrigeration appliance's pipework before or during transportation to an authorised collection depot.

This is to ensure that coolant in the cooling circuit and oil in the compressor is contained, and will not leak into the environment.

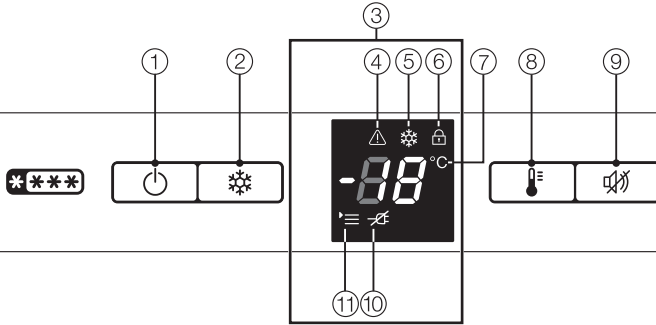
Please ensure that your old appliance poses no risk to children while being stored prior to disposal. For further information, see "Warning and Safety instructions" in these operating and installation instructions.

	Normal energy consumption	Increased energy consumption
Installation / Maintenance	In a ventilated room.	In an enclosed, unventilated room.
	Protected from direct sunlight.	In direct sunlight.
	Not near to a heat source (radiator, oven).	Near to a heat source (radiator, oven).
	Where the ideal ambient room temperature is approx. 20 °C.	Where the ambient room temperature is above 25 °C.
	Ventilation gaps uncovered and dusted regularly.	Ventilation gaps covered or dusty.
Temperature setting	Freezer section -18 °C	The lower the temperature in the appliance, the higher the energy consumption.

Saving energy

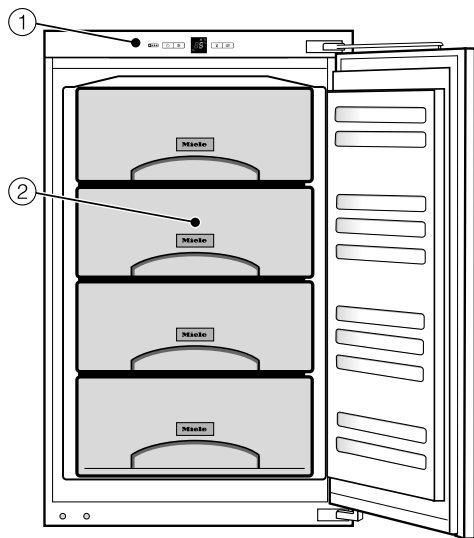
	Normal energy consumption	Increased energy consumption
Use	Drawers and shelves arranged as they were when the appliance was delivered.	
	Only open the door when necessary and for as short a time as possible. Store food in an organised way.	Frequent opening of doors for long periods will cause a loss of coldness. The appliance will try to cool down and the compressor will run for longer periods.
	Take an insulated cool bag when shopping, and load food in the appliance as soon as possible. Allow hot food and drinks to cool down before placing them in the appliance.	Hot food or food at room temperature raises the temperature inside the appliance. The appliance will try to cool down and the compressor will run for longer periods.
	Store food well packaged.	The evaporation or condensation of liquids in the freezer zone will cause a loss of coldness.
	Do not over-fill the appliance to allow air to circulate.	Poor air circulation will cause a loss of coldness.
Defrosting	Defrost the freezer when a layer of ice 0.5 cm (max.) thick has built up.	A build-up of ice slows down the cooling process.

Guide to the appliance



- ① On/Off button
- ② Super freeze button
- ③ Display
The brightness of the display changes automatically to the set brightness level if the appliance has not been used for a while. As soon as a sensor is touched the display lights up to the maximum brightness level.
- ④ Alarm symbol
- ⑤ Super freeze symbol
- ⑥ Lock symbol
- ⑦ Temperature display
- ⑧ Temperature selector button
- ⑨ Alarm off button
- ⑩ Power failure symbol
- ⑪ Menu symbol
(Settings mode:
for altering the display brightness level,
for switching the safety lock on/off)

Guide to the appliance



- ① Control panel
- ② Freezer drawers

Before using for the first time

Packaging material

- Remove all packaging material from the inside of the appliance.

Cleaning the appliance

Please refer to the relevant instructions in "Cleaning and care".


- Clean the inside of the appliance and the accessories.

Switching on

To enable the temperature to get sufficiently cold inside the appliance, allow the appliance to run for approx. 2 hours before placing food in it. Do not place food in the freezer until the temperature is at least -18°C .



- Press the On/Off button.

The appliance will start to cool and the temperature required will appear in the temperature display. The temperature display and the alarm symbol  will flash simultaneously until the required temperature is reached.

Switching off



- Press the On/Off button until the display goes out. If this does not happen, the safety lock is still activated (see "Selecting further settings - To deactivate the safety lock").

The interior lighting will go out and the cooling process will be switched off.

Switching on and off

Switching off for longer periods of time

If, during a long absence, the refrigeration appliance is switched off but not cleaned and the door(s) left shut, there is a risk of mould forming inside the appliance.

It is essential to clean the refrigeration appliance.

If the refrigeration appliance is not going to be used for a longer period of time, observe the following:

- Switch the refrigeration appliance off.
- Switch off at the wall socket and withdraw the plug from the socket, or disconnect the fuse.
- Defrost the freezer.
- Clean the refrigeration appliance and leave the door ajar to air the appliance and avoid odours building up inside.

The correct temperature

It is very important to set the correct temperature for storing food in the appliance. Bacteria will cause food which is not stored at the correct temperature to deteriorate rapidly. Temperature influences the growth rate of these bacteria. Reducing the temperature reduces their growth rate.

To freeze fresh food and to store frozen food for long periods, a temperature of **-18 °C** is required. At this temperature the growth of bacteria is generally halted. As soon as the temperature rises above -10 °C, the bacteria become active in the food again so it cannot be kept as long. For this reason, partially defrosted or defrosted food must not be re-frozen. Food may be re-frozen once it has been cooked, as the high temperatures achieved when cooking destroy most bacteria.

The temperature in the refrigeration appliance will rise:

- The more often the appliance door is opened and the longer it is kept open.
- The more food is stored in it.
- The warmer the food is which is being put into it.
- The higher the ambient temperature surrounding the refrigeration appliance. This refrigeration appliance is designed for use within specific ambient temperatures (climate range). Do not use in ambient temperatures for which it is not designed.

Setting the temperature



- Press the button for setting the temperature repeatedly until the temperature you want lights up in the temperature display.

The first time you press the button the last temperature set will flash in the display.

The temperature value will change up until the setting for -28 °C is reached. It will then drop back to the -15 °C setting.

The newly selected temperature will be adopted automatically after a short while and will appear in the temperature display.

The temperature in the appliance will now slowly start to adjust to this value.

Temperature display

The temperature display on the control panel always shows the **required** temperature for the freezer.

Using Super freeze

Super freeze function

Switch on Super freeze before putting fresh food into the freezer.

This helps food to freeze quickly and retain its nutrients, vitamins, flavours and appearance.

Super freeze is not necessary:

- when placing food in the freezer that is already frozen.
- when freezing up to 1 kg fresh food daily.

Switching on Super freeze

When freezing small quantities of food in the freezer, the Super freeze function should be switched on **6 hours beforehand**. When freezing **the maximum load of food**, the Super freeze function should be switched on **24 hours beforehand**.



- Press the Super freeze button briefly.

The Super freeze symbol ❄️ will light up. The appliance will work at full power to lower the temperature in the appliance.

Switching off Super freeze

The Super freeze function will switch off automatically after approx. 65 hours. The Super freeze symbol ❄️ will go out and the appliance will run at normal power again.


To save energy, you can switch the Super freeze function off yourself before this time.



- Press the Super freeze button until the symbol ❄️ goes out.


The appliance will continue running at normal power.

The appliance has been fitted with a warning system which ensures that the temperature in the freezer cannot rise unnoticed.

 Health risk caused by decomposing food.

If the temperature in the freezer remains above $-18\text{ }^{\circ}\text{C}$ for a long time, the frozen food can start to defrost. This will reduce the storage life of the food.

Check whether the frozen food has started to defrost. If it has, check that the food is safe to use and if it is, use it as soon as possible or cook it before freezing it again.


If the temperature in the freezer becomes too warm, the temperature display and the alarm symbol  will flash. An alarm will also sound.

The temperature the refrigeration appliance is set at determines the temperature the appliance recognises as being too warm.

The audible and visual signals will be activated if:

- You switch on the refrigeration appliance and the temperature in a temperature zone differs greatly from the set temperature.
- A lot of warm room air enters the freezer when you are rearranging or taking out frozen food.
- You are freezing large amounts of food at once.
- You are freezing warm food.
- There was a mains outage.

- The refrigeration appliance has a fault.

The alarm will stop and the alarm symbol  will go out as soon as the temperature has dropped down to the correct level again.


Switching the temperature alarm off early

If the noise disturbs you, you can switch the alarm off if you wish.



- Press the Alarm off button.

The alarm will stop.

The alarm symbol  will remain illuminated until the set temperature has been reached.

The alarm cannot be switched off early in Settings mode.

Selecting further settings

Settings mode

The alarm can be activated or deactivated in settings mode.

Activating or deactivating the lock	⌘
-------------------------------------	---

Settings mode is indicated by the menu symbol '≡' in the display.

See below for instructions on how to **activate and deactivate the lock**.

Activating or deactivating the lock

The lock can be activated to prevent the appliance being switched off by mistake.

– To activate the lock



- Press the Super freeze button for approx. 5 seconds.

The menu symbol '≡' will light up and ⌘ will start flashing in the display. Settings mode is now activated.



- Press the Super freeze button briefly to access the lock function.

⌘? will appear in the display.



- Press the Super freeze button briefly to activate the lock.

The lock symbol  will light up.






- Press the On/Off button to exit Settings mode.

The temperature will appear in the display.

- To deactivate the lock




- Press the Super freeze button for approx. 5 seconds.

The lock symbol  and the Menu symbol  will light up and  will start flashing in the display.

Settings mode is now activated.




- Press the Super freeze button briefly to access the lock function.

 will appear in the display.



- Press the Super freeze button briefly to deactivate the lock.

The lock symbol  will go out.



- Press the On/Off button to exit Settings mode.

The temperature will appear in the display.

Freezing and storing food

Maximum freezing capacity

To ensure that fresh food placed in the freezer freezes through to the core as quickly as possible, the maximum freezing capacity must not be exceeded. The maximum freezing capacity for freezing within a 24-hour period is given on the data plate: “Freezing capacitykg/24 hrs”.

The maximum freezing capacity given on the data plate has been calculated according to DIN EN ISO 15502 Standard.

Freezing fresh food

Fresh food should be frozen as quickly as possible. This way the nutritional value of the food, its vitamin content, appearance and taste are not impaired.

Food which takes a long time to freeze will lose more water from its cells, which then shrink. During the defrosting process, only some of this water is reabsorbed by the cells. What this means in practice is that the food loses more moisture. You can see this in the large amount of water that collects around the food when it defrosts.

If food is frozen quickly, the cells have less time to lose moisture, so they shrink less. As there is not so much moisture loss, it is easier for the food to reabsorb it during the defrosting process, and very little water collects around the defrosted food.

Storing frozen food

Never re-freeze partially or fully defrosted food. Defrosted food may only be re-frozen after it has been cooked.

When buying frozen food to store in your freezer, check:

- That the packaging is not damaged
- The use-by date
- The temperature at which the frozen food is being stored in the shop.

The length of time food can be kept is reduced if it has been stored at a temperature warmer than $-18\text{ }^{\circ}\text{C}$.

- Buy frozen food once you have finished the rest of your shopping and wrap it in newspaper or use a cool bag or cool box to transport it.
- Put it into the freezer as soon as possible.

Home freezing

Only freeze fresh food which is in a good condition.

Hints on home freezing

- The following types of food **are suitable** for freezing:
Fresh meat, poultry, game, fish, vegetables, herbs, fresh fruit, dairy products, cakes, leftovers, egg yolks, egg whites and a range of pre-cooked meals.
- The following types of food **are not suitable** for freezing:
Grapes, lettuce, radishes, soured cream, mayonnaise, eggs in their shells, onions, whole raw apples and pears.
- To retain colour, taste, aroma and vitamin C, vegetables should be blanched before they are frozen. To do so place them portion by portion into boiling water for 2–3 minutes. Remove, and plunge into ice-cold water to cool quickly. Drain and pack ready for freezing.
- Lean meat freezes better than fatty meat, and can be stored for considerably longer.
- Separate chops, steaks, cutlets etc. with a sheet of plastic freezer film. This prevents them from freezing together in a block.
- Do not salt or season raw food or blanched vegetables before freezing. Cooked food should only be lightly salted and seasoned. Some herbs intensify the taste of food when frozen.

- Placing hot foods or drinks in the freezer causes food that is already frozen to partially thaw and increases energy consumption. Allow hot foods and drinks to cool down before placing them in the freezer.

Packaging food for freezing

- Freeze food in portions.
 - **Suitable packing material**
 - Plastic freezer bags
 - Tubular polythene freezer bags
 - Aluminum foil
 - Freezer containers
 - **Unsuitable packing material**
 - Wrapping paper
 - Greaseproof paper
 - Cellophane
 - Bin bags
 - Plastic carrier bags
 - Expel as much air as possible from the packaging.
 - Close the packaging tightly with
 - Rubber bands
 - Plastic clips
 - String
 - Freezer tape
- Tip:** Freezer bags may also be sealed using home heat sealing kits.
- Make a note of the contents and the date of freezing on the packaging.

Freezing and storing food

Before placing food in the appliance

- When freezing more than 1 kg of fresh food, switch on the SuperFreeze function for some time before placing the food in the freezer (see “Using SuperCool and SuperFreeze – SuperFreeze function”).

This helps food which is already stored in the freezer to stay frozen.

Placing food in the freezer



If the food is too heavy, this can cause damage.

Loading food which is too heavy can cause damage to the freezer drawers/glass shelves.

Do not exceed the relevant maximum load:

- freezer drawer = 25 kg
- glass shelf = 35 kg

Unfrozen food should not touch frozen food as this will cause frozen food to begin to thaw.

- Make sure that the packaging and containers are dry to prevent them sticking together when frozen.

– Freezing small amounts of food

Place the food in the lower freezer drawers.

- Place the food flat in the bottom of the freezer drawers so that it freezes through to the core as quickly as possible.

– Freezing the maximum amount of food (see data plate)

- Remove the lowest freezer drawer.

- Place the frozen goods flat on the bottom of the appliance or in contact with the interior cabinet side walls, so that it freezes through to the core as quickly as possible.

Once frozen:

- Place the frozen goods in the freezer drawer and push it back in.

Freezing and storing food

Storage time for frozen food

The storage life of food is very variable, even at a constant temperature of $-18\text{ }^{\circ}\text{C}$. Decomposition processes also take place in frozen food, albeit at a very reduced speed. For example, fat can become rancid from contact with oxygen in the air. This is why lean meat can be stored approx. twice as long as fatty meat.

The storage times quoted are guide values for the storage life of different food groups in the freezer zone.

Food group	Storage time (Months)
Ice cream	2 to 6
Bread, baked goods	2 to 6
Cheese	2 to 4
Fish, oily	1 to 2
Fish, lean	1 to 5
Sausage, ham	1 to 3
Game, pork	1 to 12
Poultry, beef	2 to 10
Vegetables, fruit	6 to 18
Herbs	6 to 10

For standard freezing results, follow the advice on packaging.

Defrosting frozen goods

Never re-freeze partially or fully defrosted food. Defrosted food may only be re-frozen after it has been cooked.

Frozen goods can be defrosted in different ways:

- In a microwave oven
- In an oven using "Fan heat" or the "Defrost" setting
- At room temperature
- In the refrigerator zone (the cold given off by the frozen food helps to keep the other food cold)
- In a steam oven

Flat pieces of partially thawed meat or fish can be placed directly into a hot frying pan.

Meat and poultry (e.g. mince, chicken, fish fillets) should not come into contact with other foods while defrosting. Catch the liquid from defrosting and dispose of it carefully.

Fruit should be defrosted at room temperature in its packaging, or in a covered bowl.

Most vegetables can be cooked while still frozen. Just put straight into boiling water or hot fat. The cooking time is slightly less than that of fresh vegetables due to changes in the cell structure.

Freezing and storing food

Cooling drinks quickly

When cooling drinks quickly in the freezer, make sure bottles are **not left in for more than one hour**; otherwise they could burst, causing injury and damage.

Adjusting the interior fittings

Removing the drawers and glass plates from the freezer

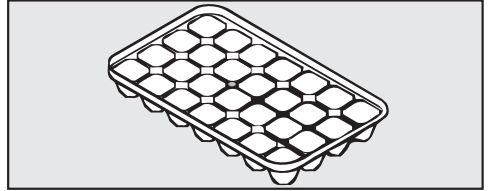
The drawers can be removed for filling, emptying or cleaning purposes.

You can also use the space in the freezer more flexibly. If you wish to freeze large items such as a turkey or game, the glass cold plates between the drawers can be removed.

- Pull out the drawers as far as they will go, and then lift them up and out.
- Lift the glass plate slightly, pull it forwards and out.

Using accessories

Making ice cubes



- Fill the ice cube tray three quarters full with water and place it on the bottom of one of the freezer drawers.
- Once frozen, use a blunt instrument, for example a spoon handle, to remove the ice tray from the freezer if it is stuck.

Tip: Ice cubes can be removed easily from the tray by holding it under running water for a short time.

Freezer

The freezer does not defrost automatically.


In normal use, ice and frost will form in the freezer, e.g. on the internal walls. How much ice and frost accumulates in the appliance will depend on the following:

- Whether the freezer door has been opened frequently or left open for a while.
- Whether a large quantity of food has been placed in the freezer at once.
- Whether the humidity in the room has increased.

Too thick a layer of ice will make it hard to remove freezer drawers, and in certain circumstances can prevent the freezer door from closing properly. Too thick a layer of ice also reduces cooling performance and thus increases energy consumption.

- The freezer should be defrosted from time to time. It must be defrosted if a layer of ice approx. 0.5 cm thick has accumulated.

Tip: It is best to defrost when only very few or no frozen goods at all are left in the freezer or the humidity level and the ambient temperature in the room are low.

 Risk of damage from an incorrect defrosting process.

When defrosting the freezer, make sure that you do not damage the evaporator as this would cause irreversible damage to the refrigeration appliance.

Do not scrape off ice and frost. Do not use sharp objects.

Do not use any mechanical or other types of aids which are not recommended by the manufacturer to accelerate the defrosting process.

Before defrosting

- Switch on the SuperFreeze function one day before defrosting. This helps the frozen goods to retain the cold reserve for longer when taken out of the freezer.
- Remove the frozen goods and wrap them in several layers of newspaper or cloths.

Tip: You could also place the frozen goods in a cool box or bag.


- Store the frozen goods in a cool place until the freezer is ready for use again.
- Remove all the freezer drawers and glass cold plates (depending on the model) from the freezer.

Defrosting

To defrost

The longer the frozen goods are left out at room temperature, the faster they deteriorate.

Carry out the defrosting procedure as quickly as possible.

 Risk of damage due to heat and moisture ingress.

The steam from a steam cleaner as well as electric heaters and candles can damage plastic and electrical components.

Do not use a steam cleaner, electric heaters or candles to defrost the refrigeration appliance.

Defrosting sprays or de-icers can contain substances which could damage the plastic parts or which might cause a build-up of explosive gases and pose a danger to health. Do not use defrosting sprays or de-icers.

Ensure that water does not get into the surrounding cabinetry.

- Switch the refrigeration appliance off.

The cooling system will be switched off.

- Switch off at the wall and withdraw the plug from the socket, or disconnect the fuse.
- Leave the freezer door open.


Tip: To speed up defrosting, place two bowls of hot water (not boiling), with plates underneath them, in the freezer. Closing the door in this instance will help retain the warmth and speed up the defrosting process.

- Remove any loose pieces of ice.
- Use a sponge or towel to soak up the defrosted water as often as necessary.

After defrosting

- Clean the freezer, then dry it thoroughly.
- Close the appliance doors.
- Reconnect to the mains and switch the refrigeration appliance back on.
- Switch on the SuperFreeze function so that the freezer can cool down quickly.
- Once the temperature in the freezer has reached the required temperature, place the frozen goods back in the freezer drawers and put them back in the freezer.
- As soon as the freezer zone reaches a constant temperature of at least $-18\text{ }^{\circ}\text{C}$, press the SuperFreeze button to turn off the function.

Do not let water get into the electronic module or the lighting.

 Risk of damage due to moisture ingress.

The steam from a steam cleaner can damage plastic and electrical components.

Do not use a steam cleaner to clean the refrigeration appliance.

Cleaning water must not get into the drain hole.

The data plate located inside the interior cabinet of the refrigeration appliance must not be removed. It contains information which is required in the event of a fault.

Cleaning agents

Cleaning and conditioning agents used inside the appliance must be food safe.

To avoid damaging all the surfaces of your appliance, **do not use:**

- cleaning agents containing soda, ammonia, acids or chlorides
- cleaning agents containing descaling agents
- abrasive cleaning agents, e.g. powder cleaners and cream cleaners
- solvent-based cleaning agents
- stainless steel cleaning agents
- dishwasher cleaner
- oven sprays
- glass cleaning agents
- hard, abrasive sponges and brushes, e.g. pot scourers
- melamine eraser blocks
- sharp metal scrapers

We recommend using a clean sponge, lukewarm water with a little washing-up liquid to clean surfaces of the appliance.

The following pages contain important information on cleaning.

Cleaning and care

Preparing the refrigeration appliance for cleaning

- Switch the refrigeration appliance off.

The display goes out and the cooling function is switched off.

- Switch off at the wall and withdraw the plug from the socket, or disconnect the mains fuse.
- Take any food out of the refrigeration appliance and store it in a cool place.
- Defrost the freezer (see “Defrosting”).
- Take out all other removable parts for cleaning.

Cleaning the interior and accessories

The refrigeration appliance should be defrosted and cleaned regularly, or at least twice a year.

Remove soiling immediately to prevent it from drying on.

The best time to do so is when:

- There is very little or no frozen food left in the freezer zone.
 - The humidity level in the room is low and the ambient temperature in the room is also low (cooler part of the year).
- Clean the **interior** with a clean sponge, lukewarm water and a little washing-up liquid.
 - After cleaning, wipe with clean water and dry with a soft cloth.

The following parts **cannot be cleaned in a dishwasher**:

- the freezer drawers
- These accessories should all be hand washed.

The following parts **are suitable** for cleaning in a dishwasher:


The maximum temperature of the dishwashing programme selected must not exceed 55 °C.

Contact with natural dyes from carrots, tomatoes and ketchup may discolour the plastic parts in the dishwasher.

This discolouration does not affect the stability of the parts.

- the adjustable shelves (with the trim and strips removed)
- the ice cube tray
- Leave the door open to air the appliance for a short while and to prevent odours building up.

Cleaning the door seal

 Risk of damage as a result of incorrect cleaning.

If you treat the door seal with oils or grease, it can become porous.

Do not use any oils or grease on the door seal.

- The door seal should be cleaned regularly with clean water and then wiped dry with a cloth.

Cleaning the ventilation gaps

A build-up of dust will increase the energy consumption of the appliance.

- The ventilation gaps should be cleaned on a regular basis with a brush or vacuum cleaner (e.g. use the dusting brush for Miele vacuum cleaners)

Cleaning and care

After cleaning



- Slide all shelves back into the appliance.
- Close the appliance door.
- Reconnect to the mains and switch the appliance back on.
- Switch on the Super freeze function so that the freezer can cool down quickly.
- Once the temperature in the freezer has reached the required temperature, place the food back in the freezer drawers and put them back in the freezer.
- When the temperature in the freezer is a constant -18°C or colder press the Super freeze button to switch the Super freeze function off.

Problem solving guide

Many malfunctions and faults that can occur in daily operation can be easily remedied. Time and money will be saved because a service call will not be needed.

The following guide may help you to find the reason for a malfunction or a fault, and to correct it.

To prevent unnecessary loss of temperature it is advisable not to open the door while waiting for the appliance to be serviced.

Problem	Cause and remedy
<p>The appliance does not get cold and the display is not lit up.</p>	<p>The appliance is not switched on and the mains connection symbol  is lit up in the display.</p> <ul style="list-style-type: none"> ■ Switch the appliance on.
	<p>The plug is not inserted in the socket correctly.</p> <ul style="list-style-type: none"> ■ Insert the plug correctly into the socket. The mains connection symbol  appears in the display when the appliance is switched off.
	<p>Check whether the mains fuse has tripped. There could be a fault with the appliance, the household electrical wiring or another electrical appliance.</p> <ul style="list-style-type: none"> ■ Contact a qualified electrician or Miele.
<p>The compressor runs continuously.</p>	<p>This is not a fault. To save energy, the compressor runs at a lower speed, but for longer, when less cooling is required.</p>
<p>The compressor is switching on more frequently and for longer periods of time. The temperature in the appliance is too low.</p>	<p>The ventilation gaps have been covered or become too dusty.</p> <ul style="list-style-type: none"> ■ Do not block the ventilation gaps. ■ Dust the ventilation gaps regularly.
	<p>The appliance door has been opened too frequently, or a large amount of fresh food has been placed inside and/or frozen at the same time.</p> <ul style="list-style-type: none"> ■ Only open the door when necessary and for as short a time as possible. <p>The required temperature will re-establish itself after a while.</p>

Problem solving guide





Problem	Cause and remedy
	<p>The door is not properly closed. A thick layer of ice may have formed in the freezer.</p> <ul style="list-style-type: none"> ■ Close the appliance door. <p>The required temperature will re-establish itself after a while.</p> <p>If a thick layer of ice has formed, it will reduce efficiency and increase the energy consumption.</p> <ul style="list-style-type: none"> ■ Defrost the appliance and clean it. <p>The ambient temperature is too high. The higher the room temperature, the longer the compressor will run for.</p> <ul style="list-style-type: none"> ■ See “Installation - Location”. <p>The temperature setting is too low.</p> <ul style="list-style-type: none"> ■ Adjust the temperature. <p>A large amount of food is being frozen at once.</p> <ul style="list-style-type: none"> ■ See “Freezing and storing food”. <p>The Super freeze function is still switched on.</p> <ul style="list-style-type: none"> ■ You can switch off the Super freeze function earlier to save energy.
<p>The compressor comes on less and less often and for shorter periods of time. The temperature in the refrigeration appliance rises.</p>	<p>Not a fault. The temperature setting is too high.</p> <ul style="list-style-type: none"> ■ Correct the temperature setting. ■ Check the temperature again after 24 hours. <p>The frozen goods begin to defrost.</p> <p>The room temperature is too low for this refrigeration appliance.</p> <p>If the room temperature is too low, the compressor will run less frequently. This may cause the freezer section to become too warm.</p> <ul style="list-style-type: none"> ■ See the information under “Installation – Location”. ■ Increase the temperature of the room.

Problem solving guide




Problem	Cause and remedy
<p>An LED indicator light is flashing at the back of the appliance at the bottom near the compressor (depending on model).</p> <p>The electronic unit for the compressor is equipped with an operation and fault diagnosis LED indicator light.</p>	<p>The indicator light flashes several times every 5 seconds.</p> <p>A fault has occurred.</p> <ul style="list-style-type: none">■ Call Miele.
	<p>The indicator light flashes regularly every 15 seconds.</p> <p>Not a fault. This flashing is normal.</p>

Problem solving guide

Display warnings

Message	Cause and remedy
"F0 to F9" appears in the display.	There is a fault. ■ Call the Miele Service Department.
The  symbol lights up in the display. You cannot switch the appliance off.	The safety lock has been activated. ■ Completely deactivate the safety lock (see "Selecting further settings – Activating and deactivating the safety lock").
The  symbol and the temperature display are flashing.	This indicates an appliance fault : ■ Call Service.
The alarm symbol  and the temperature display are flashing.	The temperature in the appliance is too warm or too cold. Possible reasons for this include: <ul style="list-style-type: none">– The appliance door has been opened too frequently.– A large quantity of fresh food has been placed in the freezer without switching on the SuperFreeze function.– A prolonged power cut (mains outage) has occurred. ■ Rectify the cause of the alarm. The alarm symbol  will go out. Depending on the temperature displayed, you should check whether food in the freezer has started to thaw or has defrosted. If it has, it should be used as soon as possible. Defrosted food may only be re-frozen after it has been cooked.

Problem solving guide

Message	Cause and remedy
<p>The power failure  and  symbols appear in the display and the alarm sounds. The temperature display will also show the warmest temperature recorded in the freezer during an interruption to the power supply or a power cut.</p>	<p>The temperature in the appliance in the previous days or hours has risen too high because of a power cut or interruption to the power supply. The appliance will go back to the last temperature setting when the power is back on.</p> <ul style="list-style-type: none"> ■ Press the Alarm off button. <p>The warmest temperature display will go out. The display will then revert to showing the actual temperature in the freezer.</p> <ul style="list-style-type: none"> ■ Depending on the temperature displayed, you should check the condition of food in the freezer. If it has defrosted or started to defrost, check that it is still safe to use and, if it is, use it as soon as possible. Defrosted food may only be re-frozen after it has been cooked.
<p>The  symbol lights up in the display, the appliance does not get cold, although the appliance controls are working.</p>	<p>Demo mode is switched on. This allows the appliance to be presented in the showroom without the cooling system being switched on. Do not activate this setting for domestic use.</p> <ul style="list-style-type: none"> ■ Contact the Miele Service Department for information on deactivating Demo mode.

Problem solving guide

Other problems

Problem	Cause and remedy
Food has frozen together.	The food packaging was not dry when placed in the freezer. ■ Use a blunt instrument, e.g. a spoon handle or plastic scraper, to prise it apart carefully.
The external walls of the appliance feel warm.	This is not a fault. The heat created by the evaporator is used to prevent condensation.
The door to the freezer zone will not open because it has been opened and closed too many times in succession.	This is not a fault. The suction caused by opening and closing the door is preventing the door from opening. Wait approx. 1 minute and then try again. It should now open without force.

Normal noises	What causes them
Brrrrr ...	A humming noise is made by the motor (compressor). This noise can get louder for brief periods when the motor switches on.
Blubb, blubb ...	A gurgling noise can be heard when coolant is circulating through the pipes.
Click ...	Clicking sounds are made when the thermostat switches the motor on and off.
Crack ...	A cracking sound can be heard when materials expand inside the appliance.
Remember that the noise of the compressor and the coolant circulating in the system is unavoidable.	

Noises	Cause and remedy
Rattling, vibrating	The appliance is uneven. Realign the appliance using a spirit level. Do so by raising or lowering the screw feet underneath the appliance or place something underneath it.
	The appliance is touching another appliance or piece of furniture. Move it away.
	Drawers or shelves are unstable or sticking. Check all removable items and refit them correctly.
	Bottles or containers are touching each other. Separate them.
	The transport cable clips are hanging loose at the back of the appliance. Remove them.

Service

Contact in case of malfunction

In the event of any faults which you cannot remedy yourself, please contact your Miele Dealer or Miele Service.

Contact information for Miele Service can be found at the end of this document.

Please note that telephone calls may be monitored and recorded for training purposes and that a call-out charge will be applied to service visits where the problem could have been resolved as described in this booklet.

Please quote the model and serial number of your appliance when contacting Miele. This information can be found on the data plate.

The data plate can be found inside the appliance.


Warranty

The appliance warranty is valid for 2 years from date of purchase. In the UK, you must activate your cover by calling 0330 160 6640 or registering online at www.miele.co.uk.


For more information on country-specific warranty terms and conditions, please contact Miele Customer Service.

Installation

Location

 Danger of damage and injury due to the refrigeration appliance tipping over.

This refrigeration appliance must be built in, otherwise it could tip over. Keep the appliance door(s) shut until the refrigeration appliance has been built in and secured in its housing in accordance with these operating and installation instructions.

 Fire risk and risk of damage from appliances which give off heat.

Appliances which give off heat can catch fire and set fire to the refrigeration appliance. This refrigeration appliance must not be installed underneath a hob.


This appliance should be installed in a dry, well-ventilated room.

When deciding where to install your refrigeration appliance, please bear in mind that it will use more energy if installed near to a heater, a cooker or other appliance that gives off heat. Direct sunlight should also be avoided. The higher the room temperature, the longer the compressor runs and the higher the energy consumption is.

When installing the refrigeration appliance, please note:

- The socket must be easily accessible in an emergency, not concealed behind the appliance.

- The plug and power cable must not touch the rear of the refrigeration appliance as they could be damaged by vibrations from the appliance.
- Do not plug in other appliances behind this refrigeration appliance.

 Risk of damage due to high humidity.

In environments with high humidity, condensation can build up on external refrigeration appliance panels, which can cause corrosion.

Install the refrigeration appliance in a dry and/or air-conditioned room with sufficient ventilation.

After installation, make sure that the appliance door closes properly, the ventilation gaps are not covered and that the refrigeration appliance has been installed in accordance with these operating and installation instructions.

Installation

Climate range

The appliance is designed for use within a certain climate range (ambient temperature) and should not be used outside this range.

Operating in a room which is too cold will cause the compressor to switch off for too long, causing the temperature inside the appliance to rise with the risk of food deteriorating and going off.

The climate range is stated on the data plate inside the appliance.

Climate range	Ambient room temperature
SN	+10 to +32 °C
N	+16 to +32 °C
ST	+16 to +38 °C
T	+16 to +43 °C

A freezer from the SN climate range can operate without any difficulties in rooms with a cooler ambient temperature (down to +5 °C).

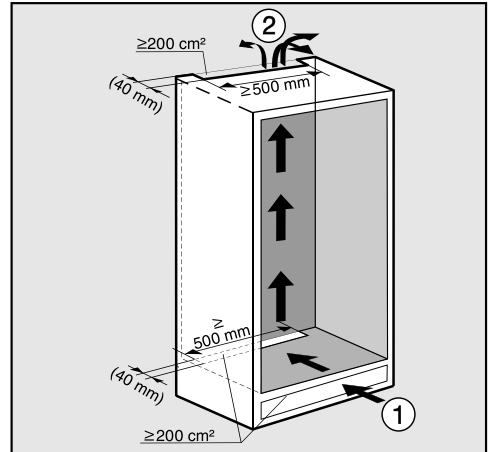
Ventilation

⚠ If the ventilation gaps given are not observed, the compressor will run more frequently and for longer periods.

This will result in increased energy consumption and a higher operating temperature for the compressor. This may, in turn, cause damage to the compressor.

It is essential to observe the ventilation gaps given.

Air at the back of the appliance gets warm. The appliance housing unit must therefore be constructed to allow sufficient space for ventilation (see “Building-in dimensions”).



- Air intake ① occurs via the plinth at the bottom of the appliance and the air escapes at the top ② at the back of the housing unit.
- A ventilation gap of at least 40 mm depth must be allowed for behind the appliance for air to circulate.

- The ventilation cross-sections in the plinth, housing unit and above the appliance must each provide an unobstructed airflow of at least 200 cm^2 to ensure that air can circulate without hindrance.

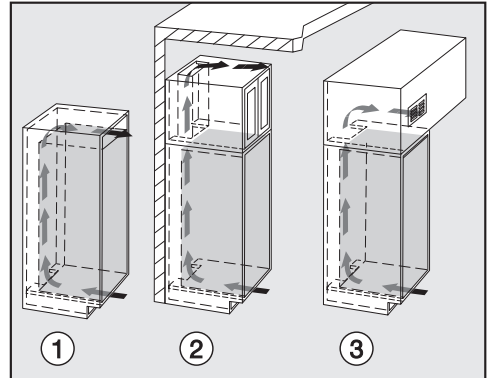
If ventilation grilles are to be inserted into the ventilation gaps, the ventilation gaps must be larger than 200 cm^2 . The unobstructed airflow of 200 cm^2 is calculated by adding up the total area of ventilation openings in the grilles.

- Important! The appliance uses less energy, the larger the ventilation gaps.

The air inlet and outlet must not be covered or blocked in any way. They must also be regularly cleaned of dust.

Top ventilation gap

The ventilation gap at the top of the appliance can be constructed in different ways:



- ① directly above the appliance with a ventilation grille (free airflow of at least 200 cm^2)
- ② between the kitchen furniture and the ceiling
- ③ in a suspended ceiling

Installation

Furniture door panel

Horizontal and vertical gaps

Depending on the style of kitchen furniture the thickness and edge radius of the furniture door and the gap that runs around the door, vertically and horizontally, are specified.

It is essential to pay attention to the following!

– Horizontal gap

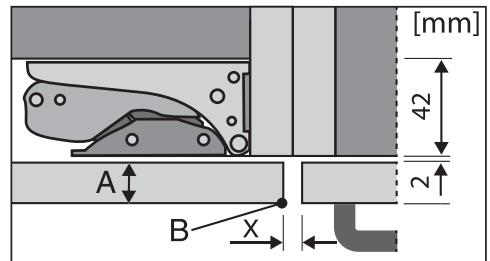
The gap between the appliance furniture door and the housing unit door above or below it must be at least 3 mm.

– Vertical gap

If the gap between the appliance furniture door and the adjoining housing unit door or wall on the hinged side is too small, the appliance door could collide with the adjoining housing unit door or wall when opened. It may be necessary to adjust the size of this gap to suit the thickness and edge radius of the appliance furniture door.

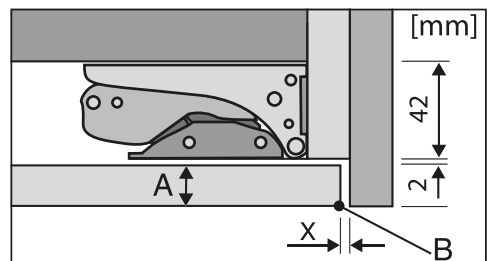
This must be taken into consideration when planning your kitchen and when replacing an old appliance with a new one to ensure the installation conditions required are met.

Appliance furniture door thickness A [mm]	Gap X [mm] for different edge radii B			
	R0	R1.2	R2	R3
≥16 - 19	Min. 3			
20	5	4	4	3.5
21	5.5	5	4.5	4
22	6.5	6	5.5	5



Adjoining kitchen furniture front

A = Furniture front thickness
 B = Edge radius
 X = Gap




Adjoining side wall

A = Furniture front thickness
 B = Edge radius
 X = Gap

Tip: Fit a spacer between the housing unit carcass and the side wall. This way you will get a sufficiently wide gap.

Weight of the furniture door

 If the furniture door panel is too heavy, this can cause damage. Fitting a furniture door panel which is heavier than the maximum permitted weight could damage the hinges. This can cause subsequent functional problems.

Before fitting a furniture door, ensure that the weight of the door does not exceed the maximum permitted:

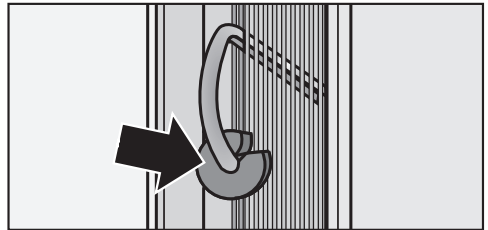
Appliance	Maximum weight of furniture door in kg
F 32202 i	16

Fitting large or divided furniture doors

When fitting large or divided furniture doors an extra fitting kit or set of fixing brackets should be used. These are available to order from Miele.

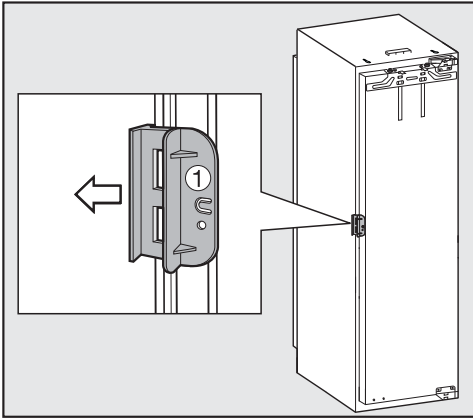
Before installing the appliance

- Take the accessory pack which includes installation parts and other accessories out of the appliance and remove the packaging strap holding the door in place.
- **Do not remove** the following from the back of the appliance:



- The spacers (depending on model) These ensure the gap required between the back of the appliance and the wall is maintained.
- The bags (depending on model) located inside the metal grille (heat exchanger). These are important for the correct functioning of the appliance. Their contents are non-toxic and are not dangerous.
- Remove the cable clip from the back of the appliance.

Installation



- Open the appliance door and remove the red safety catch ① (depending on model).

Does your old appliance have a different hinging mechanism?

If your old appliance had a different type of hinging, the furniture door can still be used. Remove the old hinges from the housing unit. They are no longer required because the furniture door is now fitted to the appliance door. All the necessary parts are supplied or can be ordered from Miele.

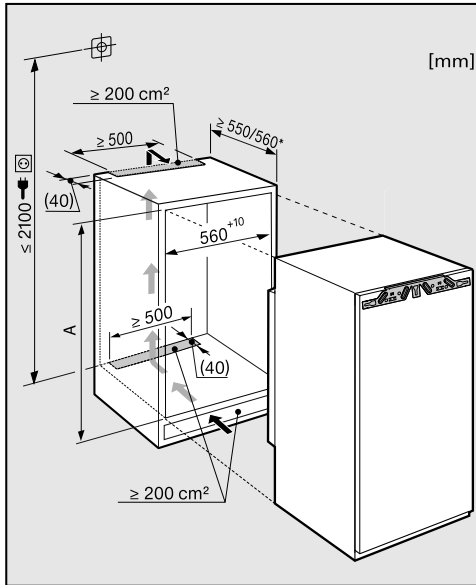
Stainless steel front

(depending on model)

If your old appliance had different hinging and you cannot, or do not wish to use your old door, you can use a stainless steel front instead.

Contact Miele for information on suitable stainless steel fronts.

Building-in dimensions



* The declared energy consumption was calculated in a 560 mm deep niche. The appliance is fully functional in a 550 mm niche but the energy consumption will be slightly higher.

Before installation, ensure the housing unit is the correct size. The specified ventilation cross-sections must be maintained in order to ensure the correct functioning of the appliance.

	Niche height [mm] A
F 32202 i	874 – 890

Installation

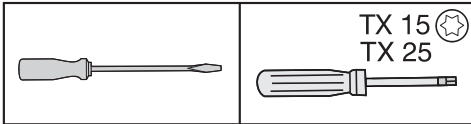
Changing the door hinging

Changing the door hinging

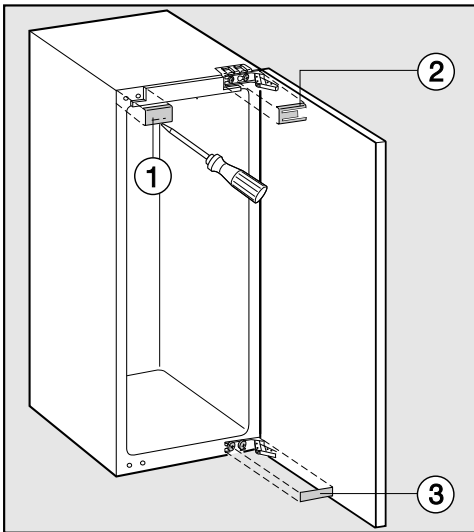
Two people are needed for changing the door hinging.

The appliance is supplied right-hand hinged. If left-hand hinging is required, the hinges must be changed.

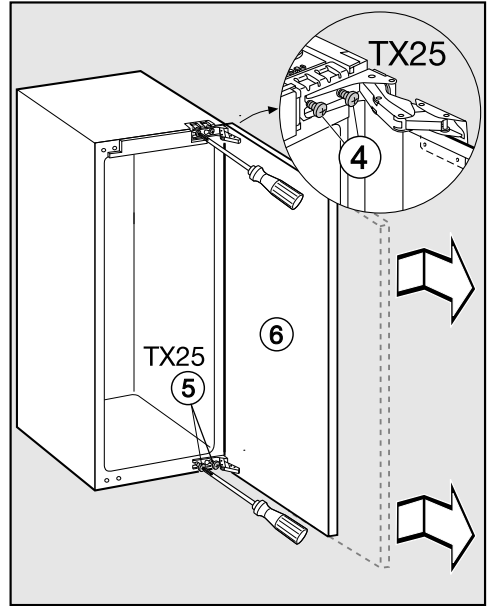
To change the door hinging, you will need the following tools:



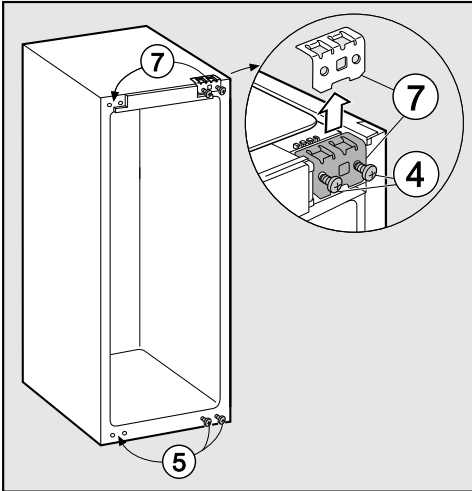
- Open the appliance door.
- Remove the shelves/bottle shelf from the appliance door.



- Lift off covers ①, ② and ③.

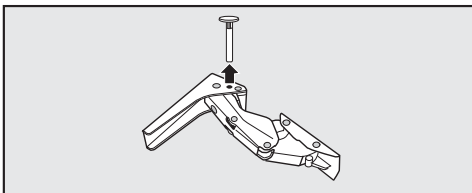


- Slightly loosen screws ④ and ⑤ in the hinges.
- Push door ⑥ outwards and take it off its hinges.



- Undo screws ④ completely.
- Fit bracket ⑦ on the opposite side and loosely fit screws ④.
- Remove screws ⑤ completely and loosely screw them in on the opposite side.

If you have put locking pins into the hinges to stop the door opening too far:

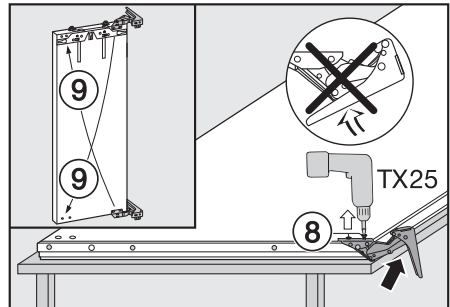


- Remove the locking pins from the top of the hinges.

Refitting the door

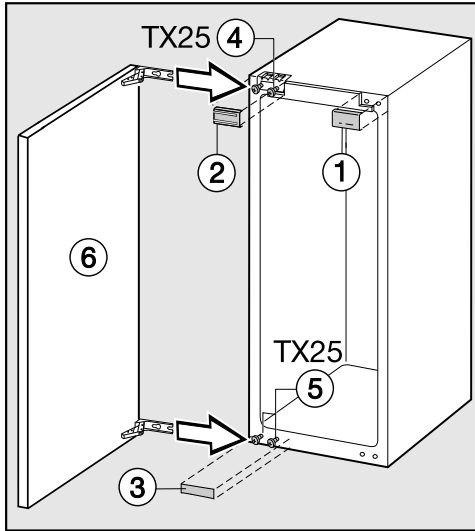
- Place the door with the outer side upwards on a stable surface.

⚠ Danger of injury.
Do not close the hinges.

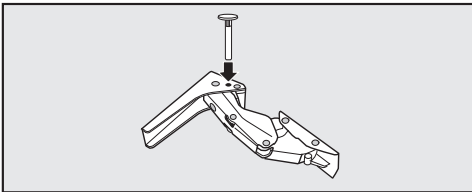


- Remove screws ⑧ completely.
- Replace the hinges in their diagonally opposite corners ⑨.

Installation



- Hang appliance door ⑥ onto pre-fitted screws ④ and ⑤, and tighten screws ④ and ⑤ securely.
- Replace covers ①, ② and ③.

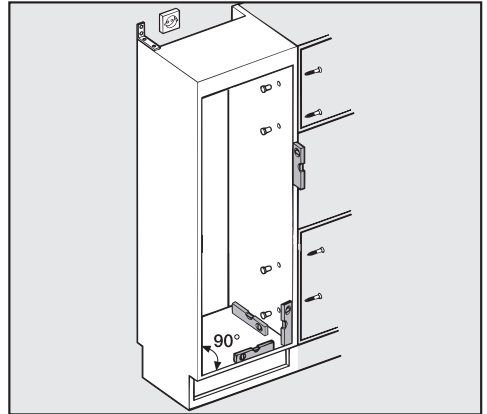


- Refit the locking pins into the top of the hinges to prevent the doors opening too far.

Installing the appliance

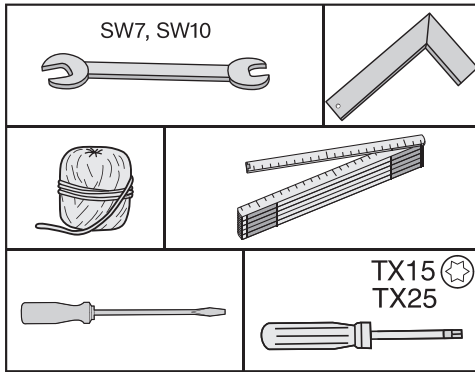
Two people are required for installing the appliance.

- Install the appliance in a stable, solid housing unit, positioned on an even and level floor.
- Secure the housing unit against tipping.



- Use a spirit level to align the housing unit. The corners of the housing unit must be at 90° angles to each other, otherwise the door will not sit straight on all 4 corners.
- The required ventilation gaps must be provided (see “Installation” – “Installation notes”).

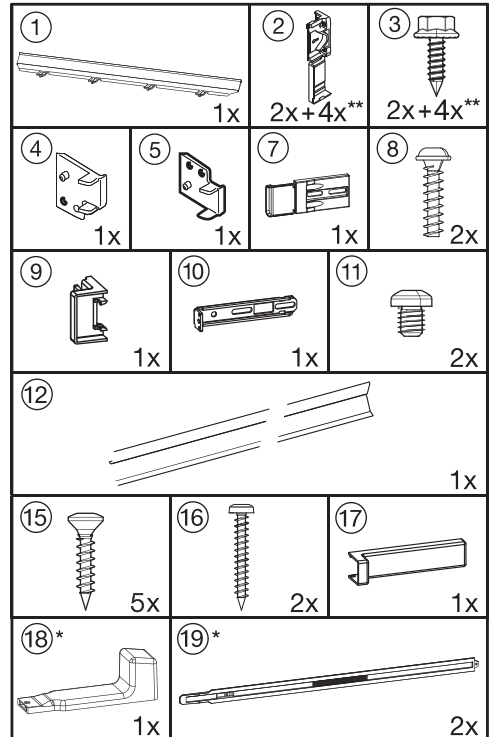
To install the appliance, you will need the following tools:



Parts required for installation:

All installation parts are number coded. This coding is also used in the installation instructions.

– For installing the appliance in its housing unit:

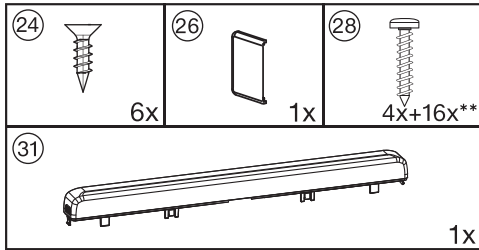


* These parts are only supplied with appliances with a niche height of 140 cm or more.

** Quantity depends on niche height; max. quantity applies to appliances requiring niche height of 140 cm or more (also contains additional installation parts for fitting large or divided furniture doors).

Installation

– For fitting the furniture door:

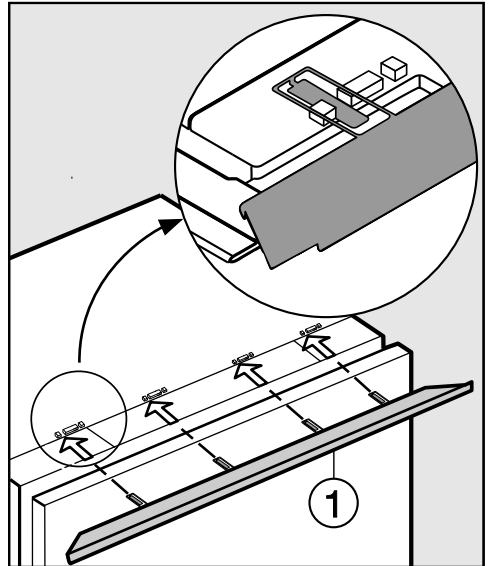


** Quantity depends on niche height. Also contains additional installation parts for fitting large or divided furniture doors.

All fitting instructions given are for a **right-hand hinged** appliance. If you have converted the appliance to left-hand hinging, you will need to adapt these instructions accordingly.


Preparing the appliance

- Position the appliance in front of the housing unit.



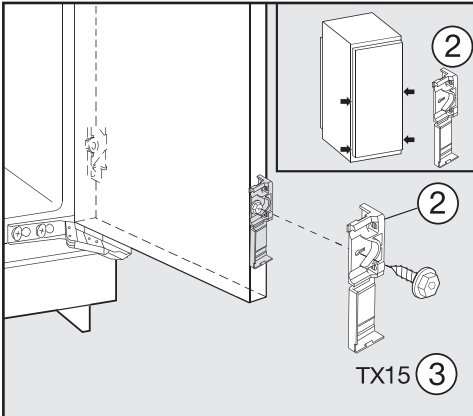
- Slide the cover strip ① into the holders as shown.

If the appliance is hinged on the left, slide the tabs of the cover strip into the right-hand opening of the holder.

 Risk of damage to the fixing bracket and cover.

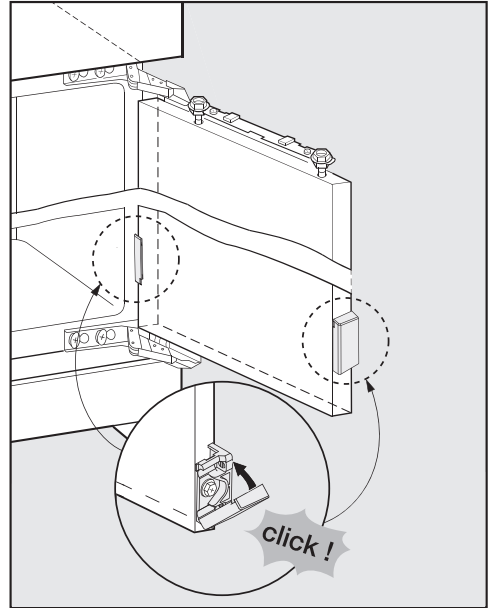
The cover on the fixing bracket can easily become detached.

Always close the cover as soon as you have finished working on the bracket.



- Loosely screw the fixing brackets ② into the pre-drilled holes in the appliance door using hex screws ③.

Tip: Secure a pair of fixing brackets in the handle area of the door.



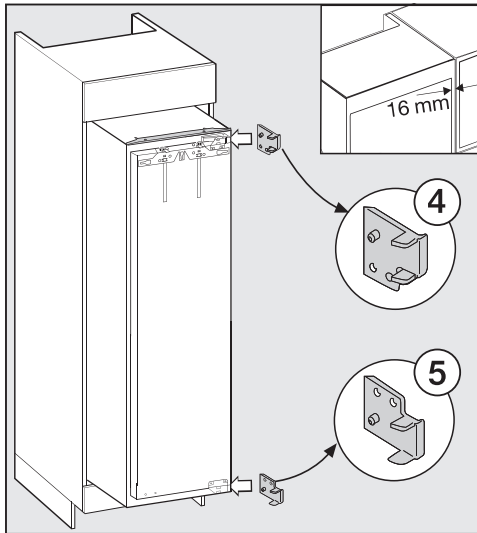
- Close the covers.
- Push the appliance two thirds of the way into the building-in niche. When pushing the appliance into its niche, make sure that the mains cable does not get trapped.

Tip: To help you push it into position, tie a piece of string around the plug to “lengthen” the power cable.

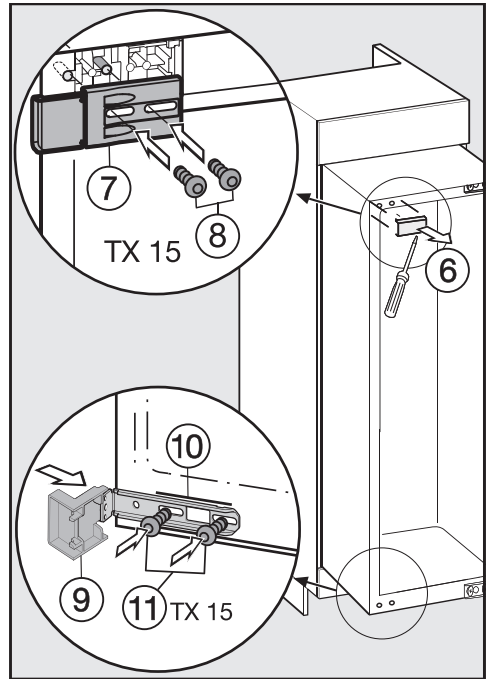
Then pull the cable by the end of the string through the housing unit. It will then be easier to connect once the appliance is in the unit.

Installation

With 16 mm thick unit walls only:

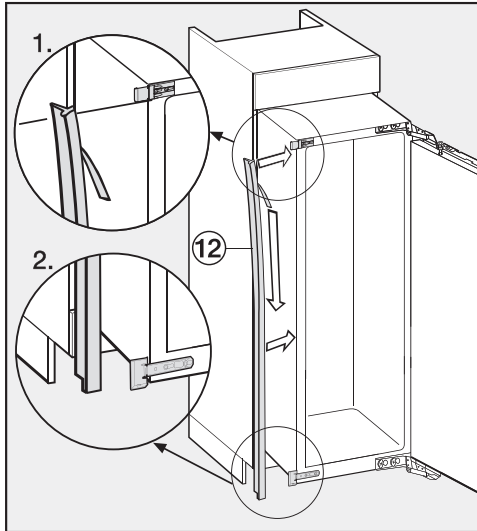


- Clip spacers ④ and ⑤ on the right-hand side of the hinges.
- Open the appliance door.



- Remove the cover ⑥.
 - Loosely fit the connecting bracket ⑦ using the screws ⑧.
- Tip:** Do not tighten the screws so that you can adjust the position of the connecting bracket.
- Fit the stopper ⑨ onto the fixing bracket ⑩.
 - Loosely fit the fixing bracket ⑩ using the screws ⑪.

Tip: Do not tighten the screws so that you can adjust the position of the connecting bracket.



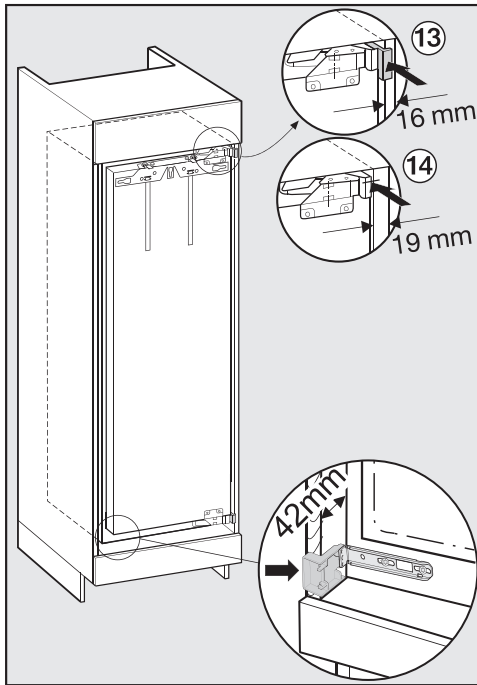
Installing the appliance

If the appliance is pushed too far into the niche, the appliance doors may not close properly once the furniture door has been fitted. This can cause ice to build up, condensate to accumulate and lead to faults in the appliance. These can all lead to increased energy consumption.

Push the appliance into the building-in niche making sure a gap of **42 mm** is maintained all round between the appliance carcass and the front of the housing unit side walls.

- Carefully remove the protective foil from the sealing strip ⑫.
 - Fix the sealing strip ⑫ flush with the front of the appliance on the door opening side.
1. Position the sealing strip flush with the lower edge of the top connecting bracket.
 2. Stick it down along its entire length.

Installation



■ Push the appliance into the niche until all fixing brackets at the top and bottom are in line with the front edge of the housing unit side wall.

- **13 With 16 mm thick walls:**
The spacers should touch the front edge of the housing unit side walls at the top and bottom.
- **14 With 19 mm thick walls:**
The front edges of the top and bottom hinges should be flush with the front edge of the housing unit side wall.

This will create a gap all round of **42 mm** to the front edges of the housing unit side walls.

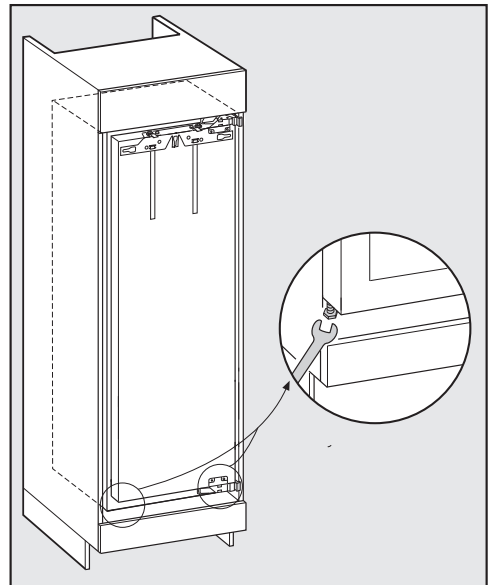
Important for furniture with door fittings (e.g. stubs, seals, etc.).

Take the dimensions of the fittings into account.

Check to make sure there is a gap all round of **42 mm** to the front edges of the door fittings.

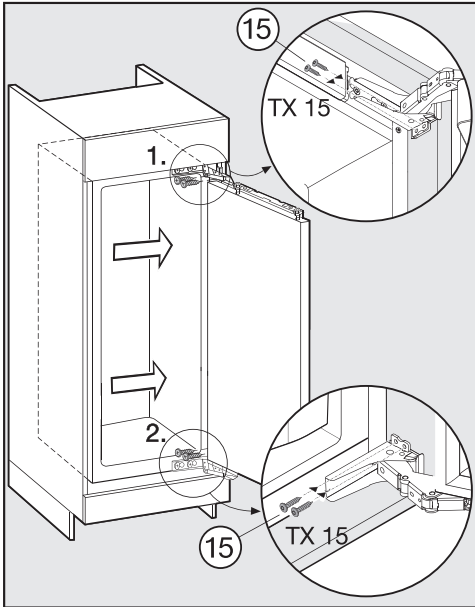
- Pull the refrigeration appliance forwards by the appropriate dimension.

Tip: If possible, remove the door fittings and push the refrigeration appliance into the niche until all fixing brackets at the top and bottom are touching the front edge of the housing unit side wall.

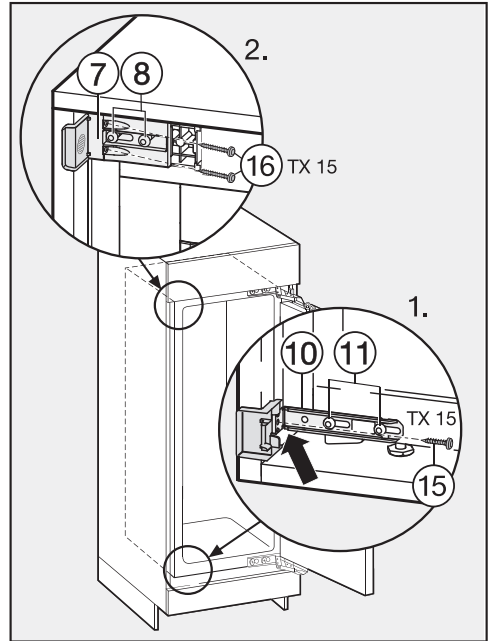


- Align the appliance on both sides by altering the adjustable feet using the spanner supplied.

Securing the refrigeration appliance in the niche



- Press the appliance against the side of the housing unit on the hinge side.
- Screw the chipboard screws ⑮ through the hinge plates at the top and bottom to secure the appliance to the housing unit.



- Push the loose fixing brackets against the housing unit wall.
- Secure the fixing bracket ⑩ to the housing unit side wall with the screw ⑮.

Tip: Pre-drill the hole.

The appliance must not pull back into the unit, as otherwise the gap of 42 mm will not be maintained all the way round.

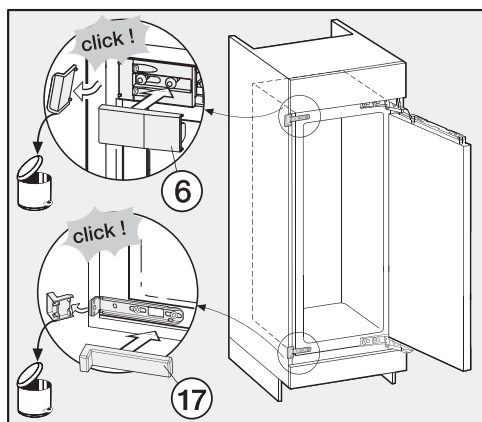
Using your thumb, push the protruding bracket towards the housing unit wall whilst tightening the screws.

- Secure the fixing bracket ⑦ to the housing unit side wall with the screws ⑯.

Tip: Pre-drill the holes.

- Re-tighten screws ⑧ and ⑪.

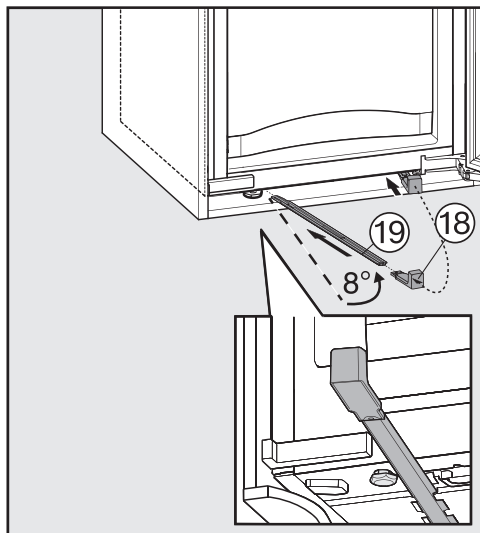
Installation



- Snap off any protruding ends from the fixing brackets. They are no longer required and can be disposed of.
- Replace covers ⑥ and ⑰ on the fixing brackets.

Only for an appliance with a niche height greater than 140 cm

To enhance the stability of the appliance in the unit, push the rods supplied in underneath the appliance between it and the floor of the housing unit:



- First secure the handle ⑱ to one of the stabilising rods ⑲.
- Push the stabilising rod ⑲ into the guide hole as far as it will go. Remove the handle ⑱, fit it to the other rod supplied and push this into its guide as far as it will go.

Tip: Keep the handle somewhere safe in case you ever need to fit the appliance into a new housing unit.

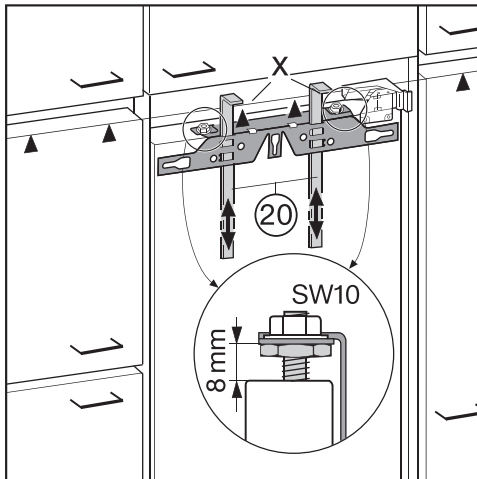
- Close the appliance doors.

Fitting the furniture door

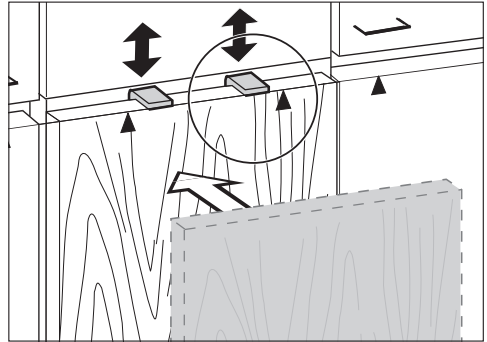
If fitted in a run of units make sure that the top edge of the furniture door is at the same height as neighbouring unit doors.

The furniture door must be fitted correctly and not under tension.

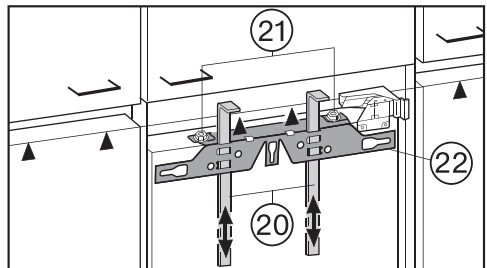
The next section gives instructions on how to fit a furniture door that is at least 16–19 mm thick.



- The distance between the appliance door and the fixing bracket is set to 8 mm at the factory. Check this distance and adjust it if necessary.
- Push the fitting aids ⑳ up to the height of the furniture door: the lower edge X of the fitting aids must be at the same height as the upper edge of the furniture door being fitted (see ▲ in diagram).



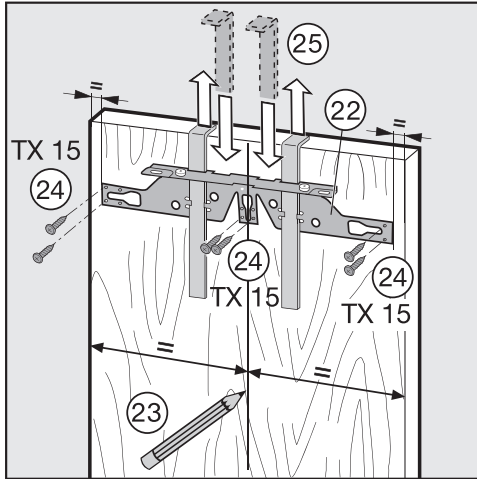
Tip: Push up the fitting aids with the furniture front until they are at the same height as the doors of adjacent kitchen units.



- Undo the nuts ⑴ and take the fixing bracket ⑵ off together with the fitting aids ⑶.

Installation

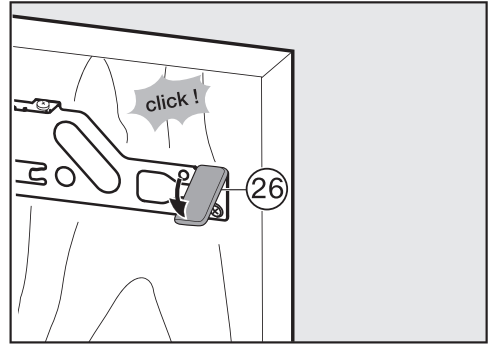
- Place the furniture door with the outer side downwards on a stable surface.



- Using a pencil, lightly mark a line down the centre of the inside of the furniture door (23).
- Hang the fixing bracket (22) with the fitting aids onto the **inside** of the furniture door. Align the fixing bracket centrally.
- Attach the fixing bracket securely using at least 6 short chipboard screws (24). (On cassette doors only use 4 screws on the edges).

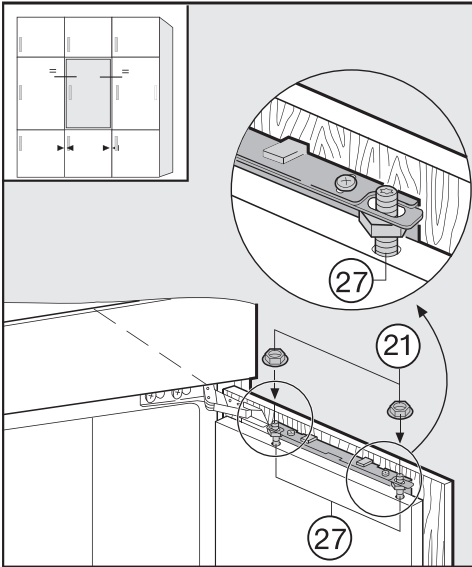
Tip: Pre-drill the holes.

- Pull the fitting aids upwards to remove them (25). Turn them around and fit them into the middle slots on the fixing bracket for safe keeping.



- Slide the side cover (26) onto the fixing bracket on the side opposite the hinge.
- Turn the furniture door over and attach the handle (if required).

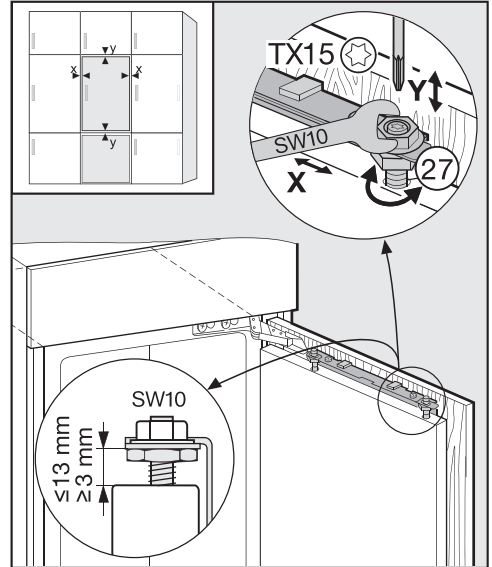
- Open the appliance door.



- Hang the furniture door onto the adjusting bolts (27).
- Loosely attach the nuts (21) on the adjusting bolts.

Aligning the door

Check the distance between the door and adjacent furniture doors. The distance should be the same.



X: side adjustments

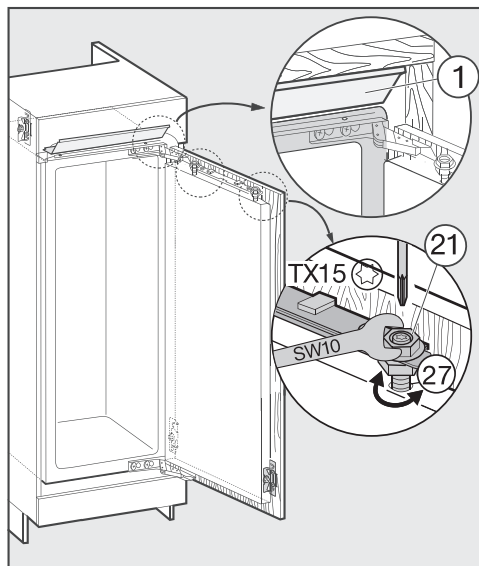
- Slide the furniture door.

Y: height adjustment

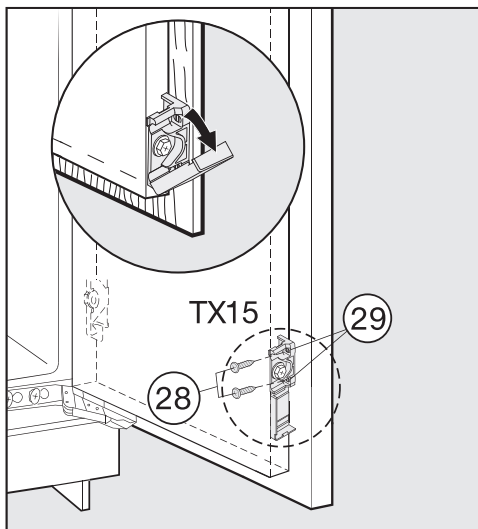
A gap of 8 mm is set between the appliance door and the fixing bracket. This must only be adjusted within its permitted range.

- Use a screwdriver to adjust the bolts (27).

Installation



- Whilst counterholding the adjusting bolts ⑳ with a screwdriver, tighten the nuts ㉑ with a spanner.
- The cover strip ① must be completely hidden in the niche and must not protrude.



- Open the cover.
- Fit the screws ㉘ into the holes ㉙.

Tip: Pre-drill the holes.

⚠ Risk of damage to the fixing bracket and cover.

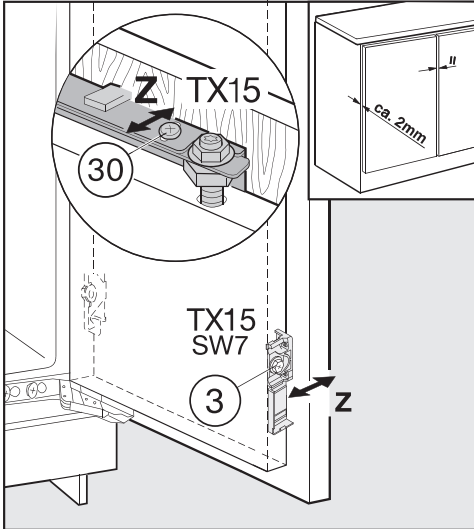
The cover on the fixing bracket can easily become detached.

Always close the cover as soon as you have finished working on the bracket.

- Close the door.

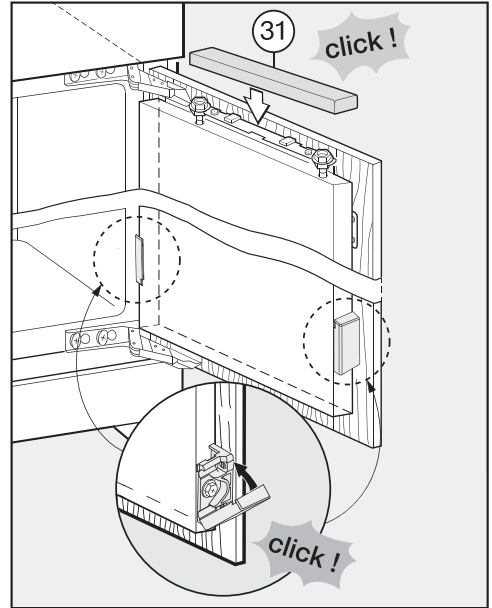
Z: depth adjustment

Check the distance between the furniture door and the housing unit. A distance of approx. 2 mm is required.



- Loosen the screws (3) at the top of the appliance door and the screw (30) at the bottom of the fixing bracket.

- Tighten all the screws again.



- Replace the cover (31) and click it into place.
- Close the covers on the fixing brackets.

Installation

To make sure the appliance is correctly fitted:

- The door must close properly.
- The door must not touch the housing unit.
- The seal at the top edge of the handle side must fit properly.
- To double check place a torch in the appliance and close the door. Turn the lights out in the room. If you can see any light shining out from the sides double check the installation.

Electrical connection

The appliance is supplied with a mains cable and moulded plug ready for connection to an AC single-phase 220–240 V 50 Hz supply.

The fuse rating must be at least 10 A.

This appliance must be connected to a suitable switched socket. The electrical installation must be in compliance with current local and national safety regulations, (e.g. VDE 0100 in Germany / BS 7671 in the UK).

The socket must not be concealed behind the appliance and must be easily accessible so that the appliance can be quickly disconnected from the electrical supply in case of an emergency.

If the socket is no longer accessible after installation, an additional means of disconnection must be provided for all poles. Suitable means of disconnection include switches with an all-pole contact gap of at least 3 mm. These include miniature circuit breakers, fuses and contactors (EN 60335).

The mains plug and mains connection cable must not come into contact with the back of the appliance as vibrations can cause damage to these components. This could result in a short circuit.

Do not plug in other appliances behind this appliance.

Do not connect the appliance to the mains electricity supply by an extension lead. Extension leads do not guarantee the required safety of the appliance (e.g. danger of overheating).

Do not connect the appliance to a stand-alone inverter such as those used with an autonomous energy source e.g. **solar power**.

When the appliance is switched on, power surges could result in a safety switch-off. This could damage the electronic module. The appliance must not be used with so-called **energy saving devices** either. These reduce the amount of energy supplied to the appliance, causing it to overheat.

If the mains cable needs to be replaced, this must be performed by a qualified electrician.



United Kingdom

Miele Co. Ltd.
Fairacres, Marcham Road
Abingdon, Oxon, OX14 1TW
Tel: 0330 160 6600
Internet: www.miele.com

Australia

Miele Australia Pty. Ltd.
ACN 005 635 398
ABN 96 005 635 398
1 Gilbert Park Drive
Knoxfield, VIC 3180
Tel: 1300 464 353
Internet: www.miele.com.au

China

Miele (Shanghai) Trading Ltd.
1-3 Floor, No. 82 Shi Men Yi Road
Jing' an District
200040 Shanghai, PRC
Tel: +86 21 6157 3500
Fax: +86 21 6157 3511
E-mail: info@miele.cn
Internet: www.miele.cn

Miele (Hong Kong) Limited

41/F - 4101, Manhattan Place
23 Wang Tai Road
Kowloon Bay, Hong Kong
Tel: (852) 2610 1025
Fax: (852) 3579 1404
Email:
customerservices@miele.com.hk
Website: www.miele.hk

India

Miele India Pvt. Ltd.
Ground Floor
Copia Corporate Suites
Plot No. 9, Jasola
New Delhi - 110025
Tel: 011-46 900 000
Fax: 011-46 900 001
E-mail: customercare@miele.in
Internet: www.miele.in

Ireland

Miele Ireland Ltd.
2024 Bianconi Avenue
Citywest Business Campus
Dublin 24
Tel: (01) 461 07 10
Fax: (01) 461 07 97
E-Mail: info@miele.ie
Internet: www.miele.ie

Malaysia

Miele Sdn Bhd
Suite 12-2, Level 12
Menara Sapura Kencana
Petroleum
Solaris Dutamas No. 1
Jalan Dutamas 1
50480 Kuala Lumpur, Malaysia
Phone: +603-6209-0288
Fax: +603-6205-3768

New Zealand

Miele New Zealand Limited
IRD 98 463 631
Level 2, 10 College Hill
Freemans Bay, Auckland 1011
New Zealand
Tel: 0800 464 353
Internet: www.miele.co.nz

Singapore

Miele Pte. Ltd.
163 Penang Road
04 - 03 Winsland House II
Singapore 238463
Tel: +65 6735 1191
Fax: +65 6735 1161
E-Mail: info@miele.com.sg
Internet: www.miele.sg

South Africa

Miele (Pty) Ltd
63 Peter Place, Bryanston 2194
P.O. Box 69434, Bryanston 2021
Tel: (011) 875 9000
Fax: (011) 875 9035
E-mail: info@miele.co.za
Internet: www.miele.co.za

Taiwan

K.E. & Kingstone Co., Ltd.
6th Fl., No. 120, Sec. 2
Jianguo N. Rd.
Taipei, Taiwan
TEL: +886 2 2502-7256
FAX: +886 2 2502-3077
E-mail: kenk@kenk.com.tw
Website:
www.kenk.com.tw/ke/miele

Thailand

BHIRAJ TOWER at EmQuartier
43rd Floor Unit 4301-4303
689 Sukhumvit Road
North Klontong Sub-District
Vadhana District
Bangkok 10110, Thailand

United Arab Emirates

Miele Appliances Ltd.
Showroom 1
Eiffel 1 Building
Sheikh Zayed Road, Umm Al Sheif
P.O. Box 114782 - Dubai
Tel. +971 4 3044 999
Fax. +971 4 3418 852
800-MIELE (64353)
E-Mail: info@miele.ae
Website: www.miele.ae

Manufacturer: Miele & Cie. KG, Carl-Miele-Straße 29, 33332 Gütersloh, Germany

F 32202 i

en-GB

M.-Nr. 11 450 730 / 00