

# SEARS

## OWNERS MANUAL

Model No.  
26462

# CRAFTSMAN®

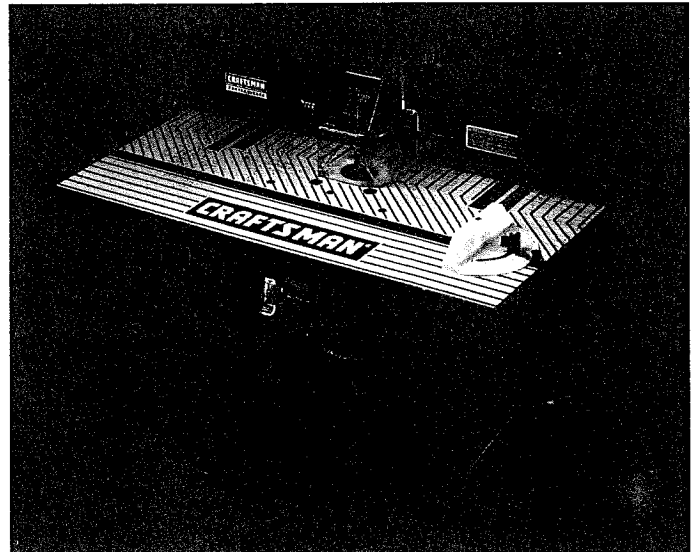
## PROFESSIONAL MID-SIZED ROUTER TABLE

SAFETY

ASSEMBLY

OPERATION

PARTS LIST



### **WARNING:**

Before operating product, read this manual and follow all its Safety and Operating Instructions.

Sears, Roebuck and Co., Hoffman Estates IL 60179 USA




26462 12/00 Printed in U.S.A.

49LCN-84

## TABLE OF CONTENTS

<b>General Safety Instructions for Power Tools</b> .....	<b>3</b>
<b>Additional Safety Instructions for Router Tables</b> .....	<b>4</b>
<b>Introduction</b> .....	<b>5</b>
<b>Optional Router Table Accessories</b> .....	<b>5</b>
<b>Unpacking and Checking Contents</b> .....	<b>5</b>
<b>Assembly</b> .....	<b>6</b>
Tools Required .....	6
Router Table.....	6
Mounting Router to the Router Table.....	7
Fence Assembly.....	8
Attachment of the Fence Assembly to the Router Table .....	8
Attachment of the Overhead Guard to the Fence Assembly.....	9
Push Block Assembly .....	9
Push Block Assembly to the Router Table Fence .....	10
Miter Gauge Assembly .....	10
Dust Collecting Attachment.....	10
Mounting Router Table to a Workbench or Work Surface.....	10
Alternate Method.....	11
Selecting and Installing the Router Table Inserts.....	11
<b>Operation</b> .....	<b>12</b>
General.....	12
Electrical Requirements / Switch Box Operation .....	12
Router and Switch Box Operations .....	13
Using the Router Table .....	14
Alignment of Unitized Fence to Miter Bar Slot .....	14
Adjusting Depth and Height of Cut.....	14
Routing Using Fence without the Push Block.....	14
Using Router Table as a Jointer (Full Edge Cutting).....	14
Edge Cutting with Non-Piloted Router Bits .....	15
Edge Cutting with Piloted Router Bits .....	15
Grooving, Fluting, and Veining .....	16
End Cutting using the Fence with the Push Block .....	16
Routing using the Miter Gauge .....	18
<b>Parts List</b> .....	<b>19</b>

## SAFETY GUIDELINES – DEFINITIONS

<p>This manual contains information that is important for you to know and understand. This information relates to protecting <b>YOUR SAFETY</b> and <b>PREVENTING EQUIPMENT PROBLEMS</b>. To help you recognize this information, we use the symbols to the right. Please read the manual and pay attention to these sections.</p>	 <b>DANGER</b>	 <b>CAUTION</b>
	<p style="text-align: center;"><b>URGENT SAFETY INFORMATION - A HAZARD THAT <i>WILL</i> CAUSE SERIOUS INJURY OR LOSS OF LIFE</b></p>	<p style="text-align: center;"><b>INFORMATION FOR PREVENTING DAMAGE TO EQUIPMENT</b></p>
	 <b>WARNING</b>	<b>NOTE</b>
	<p style="text-align: center;"><b>IMPORTANT SAFETY INFORMATION - A HAZARD THAT <i>MIGHT</i> CAUSE SERIOUS INJURY OR LOSS OF LIFE</b></p>	<p style="text-align: center;"><b>INFORMATION THAT YOU SHOULD PAY SPECIAL ATTENTION TO</b></p>

## GENERAL SAFETY INSTRUCTIONS FOR POWER TOOLS



Failure to heed all safety and operating instructions and warnings regarding use of this product can result in serious bodily injury.

### 1. Know your power tool

Read the owner's manual carefully. Learn its application and limitations as well as the specific potential hazards peculiar to this tool.

### 2. Ground all tools (unless double insulated)

If tool is equipped with an approved three-conductor cord and a three-prong grounding type plug, it should be plugged into a three hole electrical receptacle. If adapter is used to accommodate a two-hole receptacle, the adapter wire must be attached to a known ground (usually the screw securing receptacle cover plate). Never remove third prong. Never connect green ground wire to a terminal.

### 3. Keep guards in place

Maintain in working order, and in proper adjustment and alignment.

### 4. Remove adjusting keys and wrenches

Form a habit of checking to see that keys and adjusting wrenches are removed from tool before turning it ON.

### 5. Keep work area clean

Cluttered areas and benches invite accidents. Floor must not be slippery due to wax or sawdust.

### 6. Avoid dangerous environment

Do not use power tools in damp or wet locations or expose them to rain. Keep work area well lighted. Provide adequate surrounding work space.

### 7. Keep children away

All visitors should be kept a **safe** distance from work area.

### 8. Make workshop child-proof

Use padlocks, master switches, or remove starter keys.

### 9. Do not force tools

They will do the job better and safer at the rate for which they were designed.

### 10. Use the right tool

Do not force tool or attachment to do a job it was not designed to perform.

### 11. Wear correct apparel

Do not wear loose clothing, gloves, neckties or jewelry (rings, wristwatches) that may get caught in moving parts. Non-slip footwear is recommended. Wear protective hair covering to contain long hair. Roll long sleeves above the elbow.

### 12. Use safety goggles (Head Protection)

Wear safety goggles (must comply with ANSI Standard Z87.1) at all times. Also, use face or dust mask, if cutting operation is dusty, and ear protectors (plugs or muffs) during extended periods of operation.

### 13. Secure work

Use clamps or a vise to hold work when practical. It's safer than using your hands, and it frees both hands to operate tool.

### 14. Do not over reach

Keep proper footing and balance at all times.

### 15. Maintain tools with care

Keep tools sharp and clean for best and safest performance. Follow instructions for lubricating and changing accessories.

### 16. Disconnect tools before servicing

Before servicing, when changing accessories such as blades, bits, cutters, etc.

### 17. Avoid accidental starting

Make sure switch is in OFF position before plugging in.

### 18. Use recommended accessories

Consult the owner's manual for recommended accessories and follow the instructions. The use of improper accessories may cause hazards.

### 19. Never stand on tool

Serious injury could occur if the tool is tipped or if the cutting tool is accidentally contacted. **DO NOT** store materials above or near the tool making it necessary to stand on the tool to reach them.

### 20. Check damaged parts

Before further use of the tool, any guard or other part that is damaged should be carefully checked to ensure that it will operate properly and perform its intended function. Check for alignment of moving parts, binding of moving parts, breakage of parts, mounting, and any other conditions that may affect its operation. A guard or any other part that is damaged should be properly repaired or replaced.

### 21. Direction of feed

Feed work into a blade or cutter **AGAINST** the direction of rotation of the blade or cutter only.

### 22. Never leave tool running unattended

Turn power **OFF**. **DO NOT** leave tool until it comes to a complete stop.

### 23. Keep hands away from cutting area

### 24. Store idle tools

When not in use, tools should be stored in dry, high or locked-up place – out of reach of children.

### 25. Do not abuse cord

Keep cord away from heat, oil and sharp edges.

### 26. Outdoor extension cords

When tool is used outdoors, use only extension cords suitable for use outdoors and so marked.

### 27. Never use in an explosive atmosphere


Normal sparking of the motor could ignite fumes, flammable liquids, or combustible items.


### 28. Drugs, alcohol, medication

**DO NOT** operate tool while under the influence of drugs, alcohol, or any medication.

**Read and Understand** this instruction book completely **BEFORE** using this product.

## ADDITIONAL SAFETY INSTRUCTIONS FOR ROUTER TABLES

1. Always wear eye protection that complies with ANSI Standard Z87.1.
2. Noise levels vary widely with location. To avoid possible hearing damage, wear ear plugs or ear muffs when using your router table for long periods of time.
3. For dusty operations, wear a dust mask along with safety goggles.
4. Follow the instructions in your router owner's manual.
5.  **WARNING** Vibrations, caused by the router during use, can cause fasteners to become loose. Before use and periodically during use, check all fasteners to make sure that all are tight and secure.
6. Do not use this product until all assembly and installation steps have been completed. Make sure you have read and understood all safety and operational instructions in this manual and the router owner's manual.
7. Make sure that the router bit is properly positioned and clamped in the router before making any cuts.
8. Do not use the router table as a workbench or work surface. Doing so may damage it, causing it to be unsafe to use. A workbench should be used for this purpose.
9. This product is designed for cutting flat workpieces. Do not cut or attempt to cut workpieces that are not flat.
10. This product is designed for cutting wood workpieces only. Do not use to cut metal or other non-wood materials.
11. The use of auxiliary in-feed and out-feed supports is strongly recommended when routing long workpieces. Otherwise those workpieces can cause the router table to tip over.

12. Keep hands clear of the router bits and working area.
13. Make and use a push stick to move small workpieces across the cutting area.
14. Clean the router after use. The use of a wet/dry vac or vacuum equipment is recommended.
15. Always make sure that work surface of the router table is clean and free from dust, chips, and foreign particles that can interfere with the cut you are going to make. The use of a wet/dry vac or vacuum equipment is recommended.
16. Check the function of the guard before each use. Remove all dust, chips, and any other foreign particles that can affect its function.
17.  **WARNING** Never put your fingers under the overhead guard when the router is plugged into an electrical outlet or when the router bit is rotating.
18. Always use the fence to guide the workpiece.
19. Always feed the workpiece **AGAINST** the rotation of the cutter or router bit.
20. Router bits are extremely sharp; be extra careful when handling and using them.
21. Make sure that the router bits being used are sharp or have been properly resharpened. This will permit fast, efficient, and **SAFE** routing.
22. Some routers, when positioned in an upside down position (such as on a router table), will drop or fall out of the router base when the base clamp is loosened to adjust height or depth of cut. Therefore, it is extremely important to support the router from below when making these adjustments or whenever the base clamp is loosened.
23. Always look under the router table at the router

switch box when turning the router **ON** or **OFF**. **DO NOT** touch anything but the switch box when doing this. **NEVER** reach under the router table for any reason when the router is running, except to turn it **OFF**.

24. **⚠ WARNING** Before making any cut, make sure the router is turned **OFF**, the router bit is not rotating, and the power cord is unplugged from the electrical outlet. Then, make absolutely sure that the overhead guard clears the router bit and the workpiece. A trial pass, with the router turned **OFF** and the router bit not turning, is strongly recommended.

25. **⚠ WARNING** Never leave the router table unattended while the router is running. Turn the router **OFF** before leaving the router table for any reason.

26. If **ANY** of the parts is missing, **DO NOT** attempt to assemble, install, or use your router table until the missing parts have been found or replaced and your router table has been properly and correctly assembled per this manual.

27. **⚠ DANGER** Never use the floor stand as a ladder and **DO NOT** stand on the router table.

## INTRODUCTION

Your Craftsman Router Table comes with the following:

- A unique 4" high unitized fence with fence guides that provide parallel movement.
- Rulers molded into the table top that provide fast and accurate fence adjustment for making the following items:
  - Tenons
  - Sliding dovetail joints
  - Tongue & groove joints
  - Face cuts
- The unique fence also allows you to perform these additional routing operations:

- Veining
- Fluting
- Making crown molding
- Making cuts up to 2-1/2" from the edge of the workpiece toward the center of the workpiece
- A specially designed push block with a quick clamp that can clamp work pieces up to 4" wide, for end grain or edge routing.
- An accurate jointing fence that is quickly adjustable to the proper depth of cut.
- A dust collector port on the fence to which most 2-1/2" wet/dry vac hoses can be attached.

## OPTIONAL ROUTER TABLE ACCESSORIES

**9-26478 Craftsman Router Table Floor Stand**, places router table at a convenient working height, has adjustable floor levelers, and two steel shelves for storage.

**9-25468 Craftsman Guide Master Router Table Push Shoe**, aids in push shoe and hold down operations, accurate measurement and router table set-up, transforms into a miter gauge, and gives quick set-up for 1/2" sliding dovetail joints.

**9-25333 Craftsman Industrial Router Adapter Plate**, for mounting non-Craftsman 1/4" and 1/2" routers to

the router table. The holes for mounting the router must be located and drilled by the user. The fasteners for mounting the router to the adapter plate are not included and must be obtained separately.

**9-26478 Craftsman Router Table Floor Stand**, places router table at a convenient working height, has adjustable floor levelers, and two steel shelves for storage.

## UNPACKING AND CHECKING CONTENTS

Refer to Parts List on page 19.

- **⚠ WARNING** If **ANY** of the parts is missing, **DO NOT** attempt to assemble, install, or use your router table until the missing parts have been found or replaced, and your router table has been properly and correctly assembled per this manual.
  - Contact your local Sears Retail Outlet for missing or replacement parts.

- In order to simplify handling and to minimize any damage that may occur during shipping, your router table comes unassembled.
- Separate all parts from the packaging materials and check each part against the illustrations and the parts list at the end of this manual, to make sure that all parts have been included. Do this before discarding any of the packaging material.

# ASSEMBLY

## TOOLS REQUIRED

- Phillips screwdriver.
- Small or medium sized adjustable wrench (or a set of nutdrivers).
- Electrical with 5/32" drill bit.
- Hammer

## ROUTER TABLE

1. Position the router table top (**Part No. 29LCN-981**) as shown in Figure 1, with the bottom of the table top facing toward you.
2. Position the table legs (**Part No. 29LCN-1283**) relative to the router table top as shown in Figure 1. Note that the legs are positioned to the inside of the table top sides.

### NOTE

Legs are positioned to the back edge of the router table, as shown in Figures 1 and 3.

3. Position the leg spacers, two per leg, as shown in Figure 2. Spacers **MUST** be positioned at the two holes in the front of the router table, as shown in Figure 2. Note that only the second V-slot will be used to secure the leg from the side in the front of the table, also noted in Figure 2.

4. Secure each table leg using five (5) #10-32 x 5/8" long truss head machine screws, two (2) #10-32 x 1-3/4" long truss head machine screws and seven (7) #10-32 hex "KEPS" nuts. See Figure 3 for a detail of how the leg is secured to the back area of the table.

5. Repeat steps 3 and 4 for the other leg.
6. SECURELY TIGHTEN all fasteners at this time.

FIGURE 1

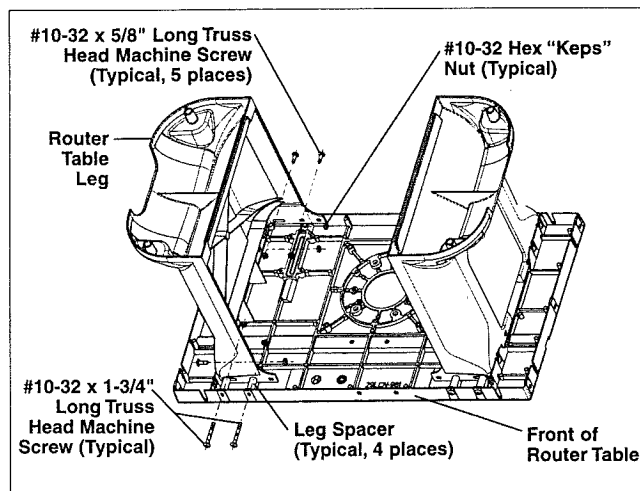


FIGURE 2 - Front Corner of Router Table and Leg

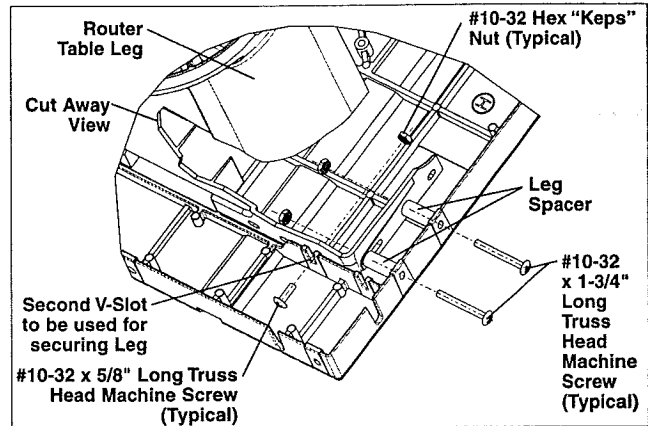
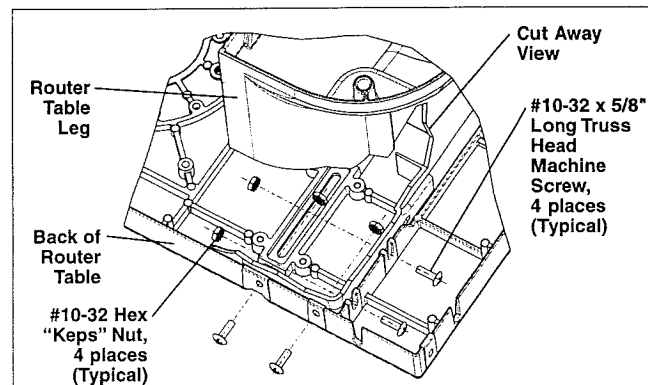


FIGURE 3 - Back Corner of Router Table and Leg



7. Position the switch box (**Part No. 29LCN-1019**) against the front of the router table as shown in Figures 4 and 5. Secure the switch box to the router table using two (2) #10-32 x 5/8" long truss head machine screws and two (2) #10-32 hex "KEPS" nuts.

### NOTE

There are two hex shaped recesses in the switch box assembly case, into which the hex "KEPS" nuts fit. They should be inserted into the recess with the washer side of the nut facing outward.

FIGURE 4

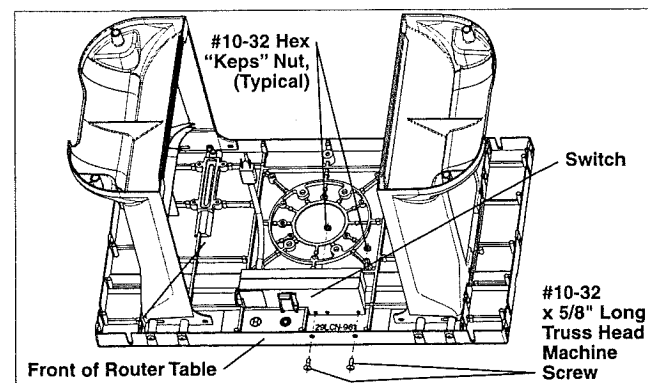
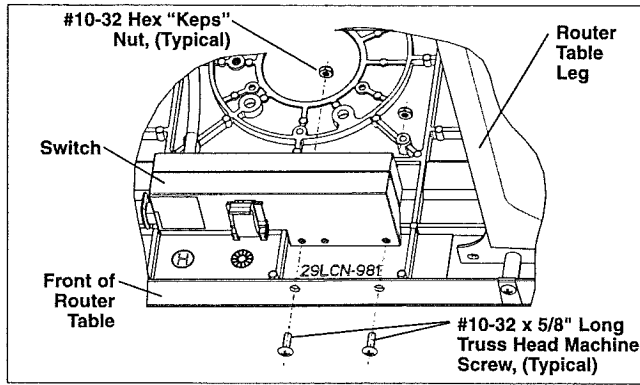


FIGURE 5



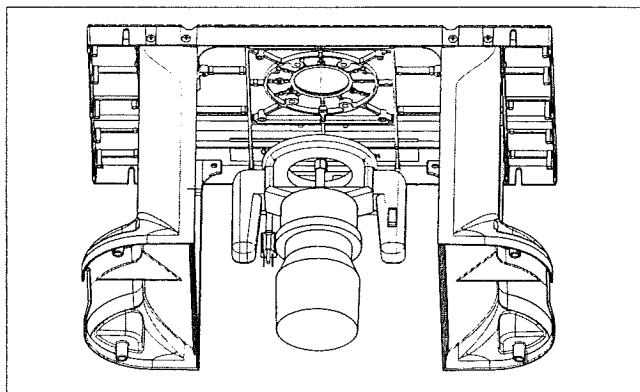
**MOUNTING ROUTER TO THE ROUTER TABLE**

**⚠ WARNING** ALWAYS UNPLUG ROUTER BEFORE MOUNTING.

**Craftsman Routers with Three-Hole and 6\"/>**

1. Remove the router base plate (back plate) from the router.
2. Store the screws and the base plate in a convenient location.
3. While holding the router upside down, position the router against the bottom of the router table as shown in Figure 6. Rotate the router until the three threaded holes in the router base line up with the three corresponding countersunk holes in the top of the router table. (The router handles should be oriented as shown in Figure 6.)

FIGURE 6

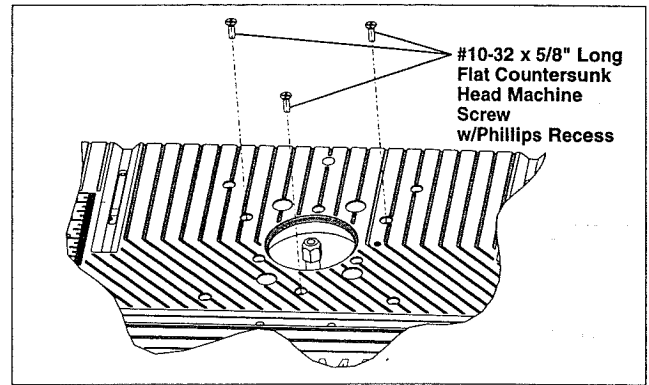


4. Insert three #10-32 x 5/8" long flat countersunk head machine screws through the three holes in the table top, as shown in Figure 7, and thread them into the threaded holes in the router base housing.
5. TIGHTEN the screws SECURELY to the router.

**Craftsman Router Models 9-27500, 9-27510, and 9-27511**

1. Remove the router base plate (back plate) from the router.

FIGURE 7



2. Store the screws and the base plate in a convenient location.
3. While holding the router upside down, position the router against the bottom of the router table as shown in Figure 8. Rotate the router until the three threaded holes in the router base line up with the three corresponding countersunk holes in the top of the router table. The holes will line up in ONE position only. (The router handles should be oriented as shown in Figure 8.)
4. Insert three 5/16-18 x 1-1/4" long flat countersunk head machine screws through the three holes in the table top, as shown in Figure 9, and thread them into the threaded holes in the router base housing.
5. TIGHTEN the screws SECURELY to the router.

FIGURE 8

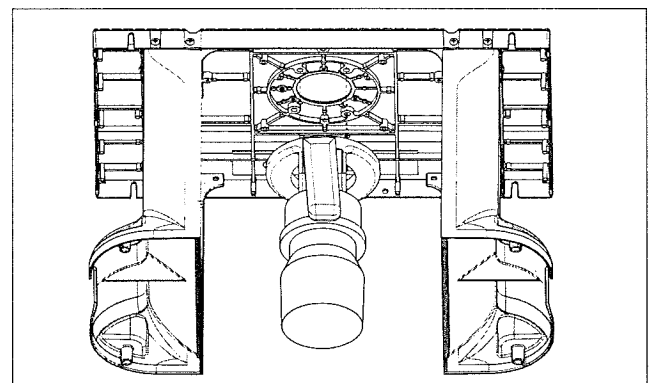
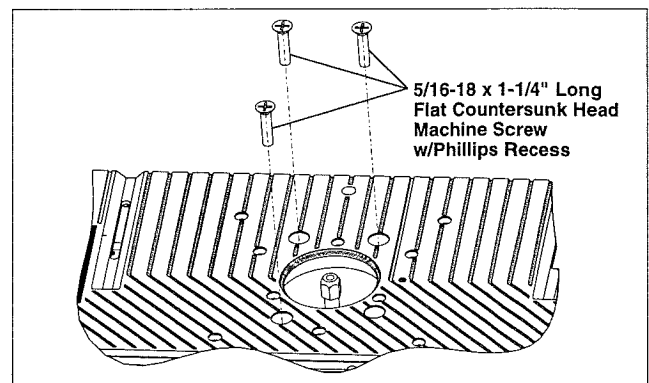


FIGURE 9



## Other Brands of Routers

It will be necessary for you to purchase a Craftsman Professional Router Adapter Plate, #25333, from your local Sears Retail Outlet, or through the Sears Catalogue.

Routers with a total overall height of 13 inches or less, and a base diameter of 7 inches or less can be accommodated.

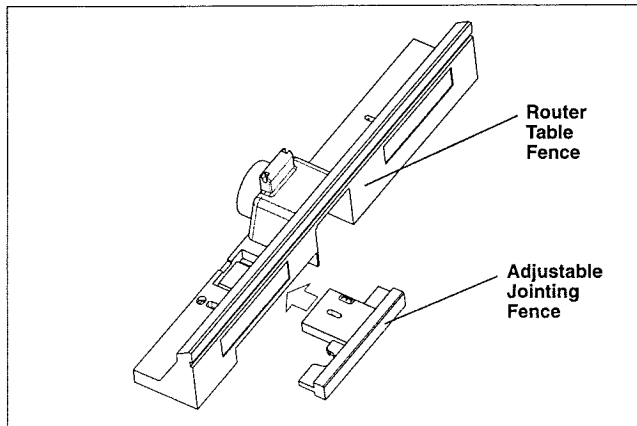
### NOTE

Because of vibration that occurs during routing, occasionally check the screws to assure that they have not become loose.

## FENCE ASSEMBLY

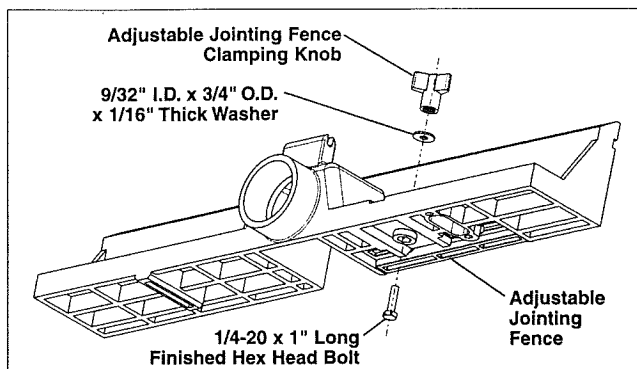
1. Slide the adjustable jointing fence (Part No. 29L-758) into the pocket on the router table fence (Part No. 29L-994), as shown in Figure 10. The V-guide on the adjustable jointing fence will mate with and slide on the V-guide in the router table fence.

FIGURE 10



2. Insert a 1/4"-20 x 1" long hex head bolt through the hole with a hex recess in the router table fence, and through the slot in the adjustable jointing fence as shown in Figure 11. While holding the head of the bolt in the hex recess, place a 9/32" I.D. x 3/4" O.D. x 1/16" thick washer over the bolt, and thread the adjustable jointing fence clamping knob (Part No. 29L-659) onto the bolt.

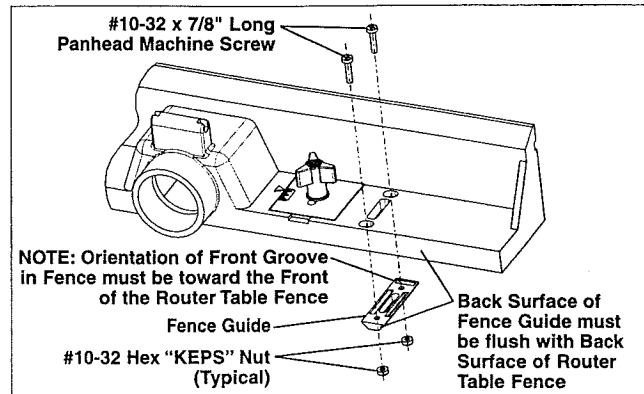
FIGURE 11



3. Push the adjustable jointing fence into the router table fence as far as it will go and tighten the clamping knob.

4. Assemble the fence guide to the bottom of the fence using two #10-32 x 7/8" long panhead machine screws and two #10-32 hex "KEPS" nuts, as shown in Figure 12. (The nut portion of the hex "KEPS" nut fits into the hex recess, with the washer portion facing out of the recess.)

FIGURE 12



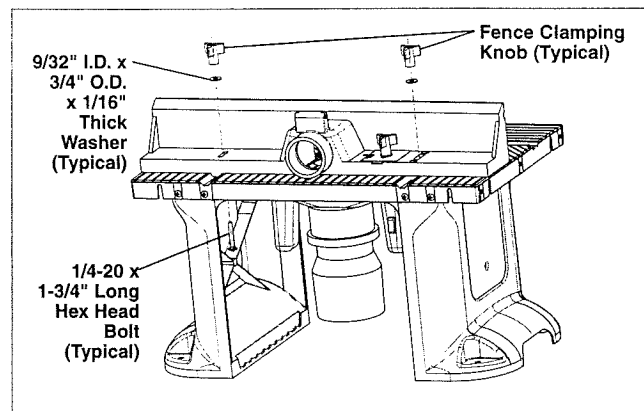
## ATTACHMENT OF THE FENCE ASSEMBLY TO THE ROUTER TABLE

### WARNING

Always unplug router before attaching or removing fence from table.

1. Position the fence on router table as shown in Figure 13.

FIGURE 13

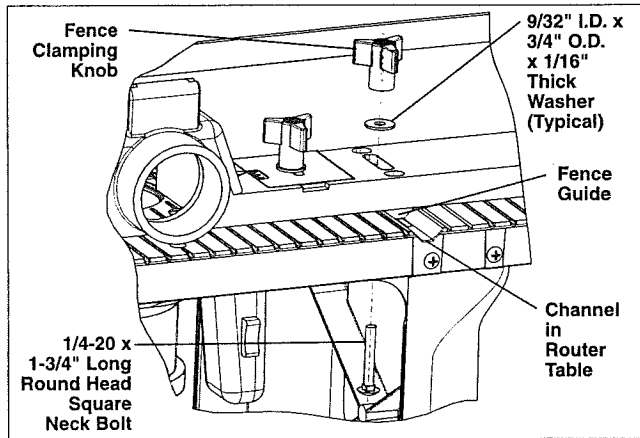


2. Insert a 1/4"-20 x 1-3/4" long round head square neck bolt, from underneath the table, through the slot in the recess, as shown in Figure 15, and through the slot in the fence as shown in Figures 13 and 14.

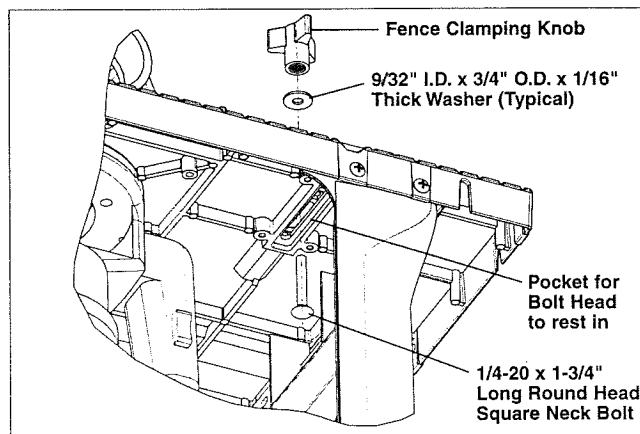
3. While holding the head of the bolt in the recess, place a 9/32" I.D. x 3/4" O.D. x 1/16" thick washer over the bolt, and thread the fence clamping knob (Part No. 29L-659) onto the bolt to loosely secure the fence as shown in Figures 13 and 14.

- Repeat steps 1 through 3 for the other side of the fence.
- Make sure the adjustable jointing fence is inside the router table fence as far as it will go and that the clamping knob has been securely tightened.

**FIGURE 14**



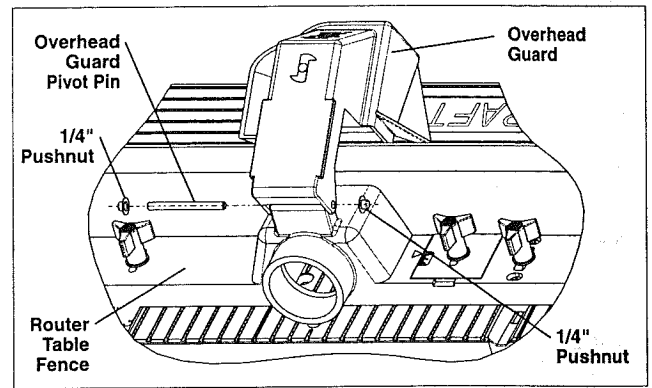
**FIGURE 15**



**ATTACHMENT OF THE OVERHEAD GUARD TO THE FENCE ASSEMBLY**

- Assemble the overhead guard to the router table fence using two 1/4" pushnuts and the overhead guard pivot pin, as shown in Figure 16.
- Prior to inserting the overhead guard pivot pin, press one of the pushnuts onto one end of the pivot pin. (It may be necessary to tap the pushnut onto the overhead guard pivot pin with a hammer while supporting the other end of the overhead guard pivot pin.)
- Position the overhead guard on the fence so the holes in the guard line up with the through-hole in the router table fence. Make sure the orientation of the overhead guard is as shown in Figure 16.
- Insert the pivot pin through the aligning holes.
- Press the second pushnut onto the other end of the overhead guard pivot pin.
- Move the guard up and down a few times to ensure that it moves freely.

**FIGURE 16**

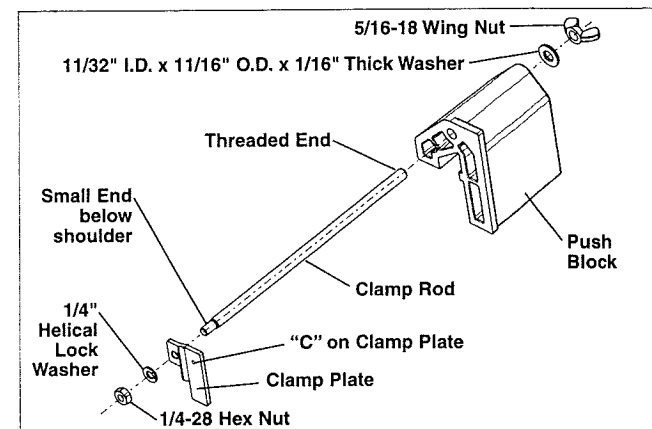


**WARNING** Once the overhead guard has been assembled to the fence, **DO NOT** remove it for any reason. Its removal can result in an unsafe operating condition that can result in possible bodily injury.

**PUSH BLOCK ASSEMBLY**

- Thread the small end of the clamp rod into the threaded hole of the clamp plate, until the rod bottoms out securely against the plate.
- MAKE SURE THAT THE CLAMP PLATE IS ORIENTED SO THAT THE "C" ON THE CLAMP PLATE FACES OUTWARD.**
- Assemble the 1/4" I.D. x 1/2" O.D. x 3/64" thick spring lock washer and 1/4-28 hex nut to the clamp rod.
- SECURELY TIGHTEN THE NUT ON THE CLAMP ROD.**
- Insert the other end of the clamp rod through the hole in the push block. **MAKE SURE THE ORIENTATION OF THE PUSH BLOCK IS AS SHOWN IN FIGURE 17.**
- Assemble the 11/32" I.D. x 11/16" O.D. x 1/16" thick washer and the 5/16-18 wing nut to the clamp rod.
- It is not necessary to tighten the wing nut. The clamp rod should rotate freely in the clamp block.

**FIGURE 17**

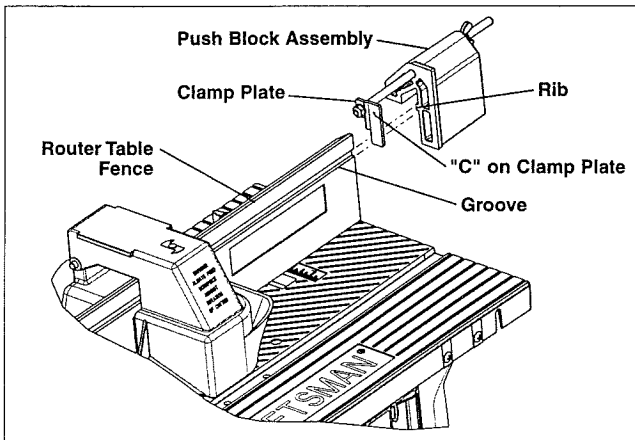


**WARNING** The vibrations from operating the router can, from time to time, cause the hex nut and the clamp plate to become loose on the clamp rod. **PERIODICALLY CHECK THESE FASTENERS AND ALL FASTENERS** to ensure that they are tight and secure.

### PUSH BLOCK ASSEMBLY TO THE ROUTER TABLE FENCE

1. Position the clamp plate relative to the push block, as shown in Figure 18.
2. Align the rib on the push block with the groove in the front face of the fence.
3. Assemble the push block to the fence as shown in Figure 18. The push block should move freely along the full length of the fence.

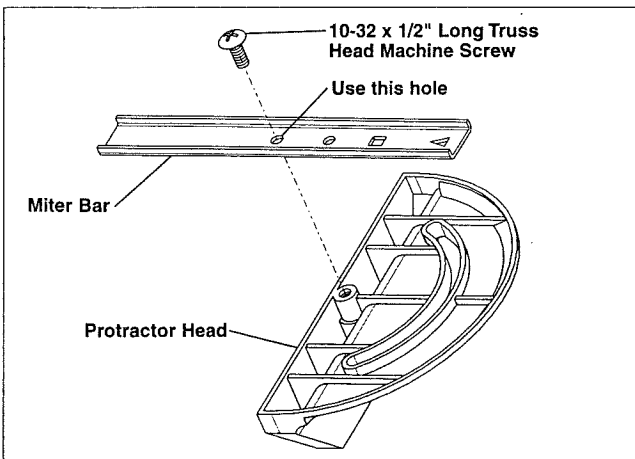
**FIGURE 18**



### MITER GAUGE ASSEMBLY

Assemble the protractor head (Part No. 29L-293) to the miter bar (Part No. 29LCN-1119), as shown in Figure 19, using a #10-32 x 1/2" long truss head machine screw. The screw will self thread into the hole in the protractor head.

**FIGURE 19**

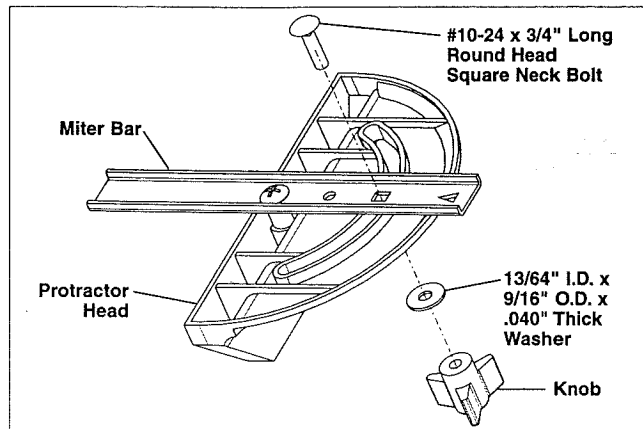


### NOTE

There are two round holes in the miter bar. Make sure the #10-32 x 1/2" long truss head machine screw enters the hole shown in Figure 19.

1. Tighten the screw so that it touches the miter bar but still provides a resistance to rotating the protractor head.
2. Assemble the knob (Part No. 31L-560), the 13/64" I.D. x 9/16" O.D. x .040" thick washer and the #10-24 x 3/4" long round head square neck bolt to the miter gauge, as shown in Figure 20.

**FIGURE 20**



### DUST COLLECTING ATTACHMENT

The router table fence is equipped with a port at the back for the attachment of the hose from a wet/dry vac. The port will accommodate a 2-1/2" diameter hose nozzle.

To attach, push the nozzle into the port while holding the fence in place.

**CAUTION** Operating the router table without the use of a wet/dry vac may result in an excessive collection of saw dust and chips under the fence assembly and the overhead guard. This can hinder the performance of the router table and the fence assembly.

**WARNING** When doing the above, keep the following in mind:

- The router table must be turned OFF.
- The router bit must not be turning.
- The router power cord must be unplugged from the outlet.

### MOUNTING ROUTER TABLE TO A WORKBENCH OR WORK SURFACE

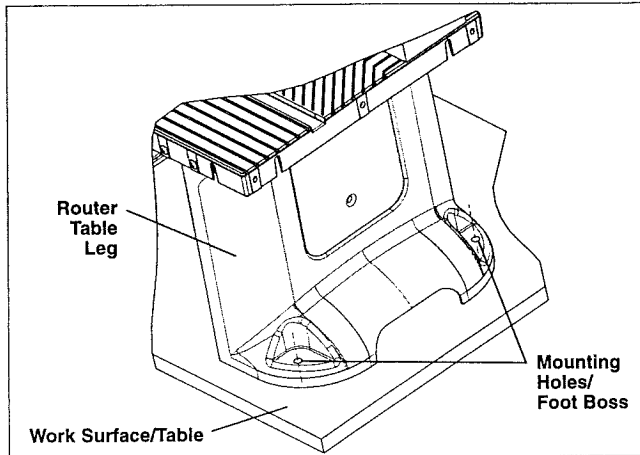
**WARNING** The router table must always be **FIRMLY** and **SECURELY** mounted to a work



**surface before use. Failure to do so could cause the router table to tip over or slide, resulting in property damage and/or serious personal injury.**

1. Set the router table on a workbench or other stable and sturdy surface.
2. While holding the router table in place, spot the location of the two mounting holes in each of the legs onto the workbench. (Total number of holes is four)
3. Remove the router table from the workbench and set it aside.

**FIGURE 21**



4. Drill a 5/32" diameter hole at each of the spotted hole locations.
5. Position the router table on the workbench so that the holes in the legs line up with the drilled holes in the workbench.
6. Secure the router table to the workbench using the four #12 x 1-3/4" long round head wood screws (not provided). Applying a little soap to the screw threads will make it easier to thread the screws into the drilled holes.
7. TIGHTEN the screws SECURELY.

**ALTERNATE METHOD**

1. Cut a board 18-1/4" wide by 24" long from a piece of 3/4" thick wood.
2. Place the router table on the board so that the spacing from the edge of the board to the router table legs is equal on all four sides of the board.
3. While holding the router table in place, spot the location of the two mounting holes in each of the legs onto the board. (Total number of holes is four)
4. Remove the router table from the board and set it aside.
5. Drill a 5/32" diameter hole at each of the spotted hole locations.
6. Position the router table on the board so that the holes in the legs line up with the drilled holes in the board.
7. Secure the router table to the board using four #12 x 1-3/4" long round head wood screws (not provided). Applying a little soap to the screw threads will make it easier to thread the screws into the drilled holes.

8. TIGHTEN the screws SECURELY.

9. Place the router table on a workbench or other stable and sturdy surface, and firmly secure the board with screws or other suitable means.

**NOTE**

The specially designed legs with foot boss may be clamped to a workbench or work surface. Always make sure the clamps are tight before and after using the router.

**SELECTING AND INSTALLING THE ROUTER TABLE INSERTS**

This router table comes with three tabletop inserts in the following hole sizes:

- 1-1/4" diameter, for use with router bits with diameters up to 1-1/8"
- 1-7/8" diameter, for use with router bits with diameters up to 1-3/4"
- 2-1/8" diameter, for use with router bits with diameters up to 2"
- For router bits with diameters between 2" and 2-3/4", do not use a table top insert.

**WARNING**

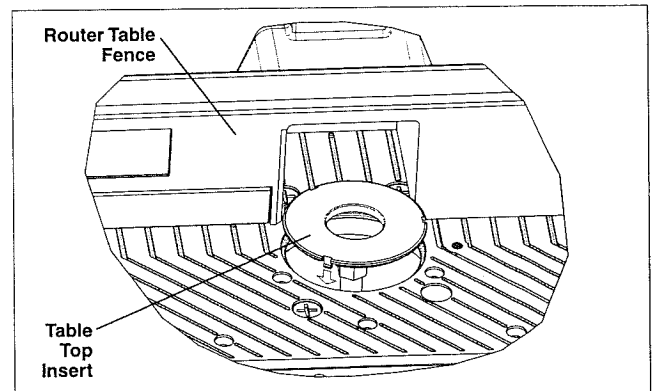
A 2-3/4" Diameter router bit is the LARGEST router bit that can be used on this router table.

1. Select the tabletop insert that accommodates the router bit to be used.
2. Assemble the insert to the tabletop by pressing it into the large hole in the top of the router table, as shown in Figure 22.
3. Press down equally over the tabs on the insert, so that the tabs snap into place.
4. To remove, insert a finger in the insert hole and gently pull up until the tabs disengage the hole. When not in use, store the inserts in a convenient place.

**WARNING**

DO NOT attempt to remove table top inserts from the tabletop unless the router bit has been removed from the router, and the router is unplugged.

**FIGURE 22**



## OPERATION

### GENERAL

The power switch box is designed to be used with most Craftsman router tables. It provides the convenience of an "ON-OFF" switch box at the front of the table, thus eliminating the need to reach underneath the table to turn the router "ON" and "OFF".

The power switch box also provides an optional simultaneous "ON-OFF" control of an additional accessory, such as a light, vacuum, etc. The switch box incorporates an internal, resettable circuit breaker to provide protection in overload situations.

### ELECTRICAL REQUIREMENTS

In the event of a malfunction or breakdown, grounding provides the path of least resistance for electric current in order to reduce the risk of electric shock. This switch box is equipped with an electric cord that has an equipment grounding connector and a grounding plug. The plug must be plugged into a matching outlet that is properly installed and grounded in accordance with all local codes and ordinances.

DO NOT modify the plug provided if it will not fit the outlet. Have the proper outlet installed by a qualified electrician.

Improper connection of the equipment grounding conductor can result in risk of an electric shock. The conductor with insulation that has a green outer surface, with or without yellow stripes, is the equipment grounding conductor. If repair or replacement of the electric cord or plug is necessary, DO NOT connect the equipment grounding conductor to a live terminal.

Check with a qualified electrician or service person if the grounding instructions are not completely understood, or if there is doubt as to whether the switch box is properly grounded.

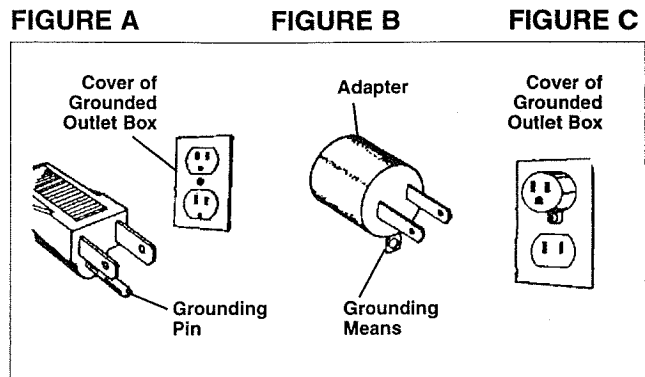
Use only 14 gauge, or larger, three-wire extension cords that have three-prong grounding plugs and three-hole receptacles that accept the tool's plug.

Repair or replace a damaged or worn cord immediately.

The electrical outlet on the back of the switch box will accept either a two-prong plug from a DOUBLE INSULATED router or accessory, or a three-prong grounding type plug.

This switch box is intended for use on a circuit that has an outlet, as illustrated in FIGURE A. The switch box has a grounding plug, as illustrated in FIGURE A.

If a properly grounded outlet is not available, a temporary adapter, as illustrated in FIGURE B, may be used to connect this plug to a two-hole receptacle, as shown in FIGURE C.



The temporary adapter should be used only until a properly grounded outlet can be installed by a qualified electrician. The green colored rigid ear or lug extending from the adapter must be connected to a permanent ground, such as a properly grounded outlet box.

**WARNING** Do not permit fingers to touch terminals of the plug when installing or removing from the outlet. If not properly grounded, this power tool can present the potential hazard of electrical shock, which can possibly result in death, particularly when used in a damp location, in proximity to plumbing or out of doors. If an electrical shock occurs, there is always the potential of a secondary hazard, such as your hands contacting the router bit.

**WARNING** Use the switch box only when properly assembled to the router table. Use only with a router which has also been properly installed on a properly assembled router table.

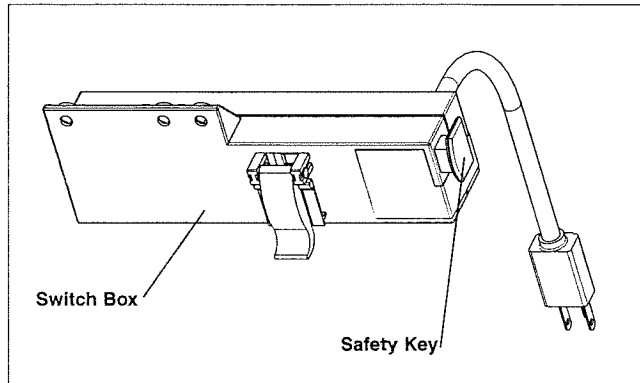
### SWITCH BOX OPERATION

This section explains the operation and features of the switch box prior to plugging the power cord into an electrical outlet. The intent is to familiarize the user with the switch box operation without actually turning on the router.

The switch box incorporates two positive features to prevent inadvertent switching on of the router and the unauthorized, and possibly hazardous, use by others. Inadvertent switching on of the router is prevented by the clear plastic switch box cover. The cover must be raised and the switch box manually toggled to the "ON" position to start the router. Also, the safety key can be removed to disable the switch box by "locking" the switch box in the "OFF" position, thus preventing unauthorized and possible hazardous use.

The switch box can be turned "OFF" by pressing the switch box cover with the hand.

FIGURE 23



To operate the switch box, proceed as follows:

**NOTE**

Because the switch box also functions as a circuit breaker, the "ON" position is labeled RESET on the switch box. For clarity this instruction uses "ON" in place of RESET.

1. Insert the safety key into switch box. See FIGURE 23.
2. To turn router "ON", insert finger under switch box cover and toggle switch box to "ON" position.
3. To turn router to "OFF", press switch box cover. NEVER leave router UNATTENDED until it has come to A COMPLETE STOP.
4. To lock switch box to "OFF" position, remove safety key from switch box.

With the safety key removed from the switch box, the switch box cannot be toggled to the "ON" position.

**NOTE**

9-26462 Replacement safety keys are available at your local Sear Retail Store.

**WARNING**

Before proceeding any further, make sure the switch on the router is in the "OFF" position and the switch box lever is in the "OFF" position.

The switch box power cord can now be plugged into an extension cord.

**ROUTER AND SWITCH BOX OPERATIONS**

This section explains operation of the switch box with the power cord plugged into an electrical outlet.

**The router will turn "ON" when the switch box is toggled to the "ON" (or "RESET") position.**

1. Position the "ON-OFF" switch on the router in the "ON" position. On certain routers this will require the use of the switch trigger and "Lock-On" button. (Consult router owner's manual.) **Make sure the switch box lever is in the "OFF" position when doing this.**
2. To turn the router "ON", slide finger under the switch box cover and toggle the switch box to the "ON" position, as described in the previous section.
3. To turn the router "OFF", press the switch box cover, as described in the previous section.

**NOTE**

In the event of an overload situation, the internal switch box circuit breaker may trip and toggle the switch box to the "OFF" position. This will interrupt the power to the router and/or vacuum. If this occurs please do the following:

1. Unplug the switch box cord from the electrical outlet.
2. Clear the workpiece from the router table.
3. Correct the cause of the overload situation (i.e., the removal of too much stock or use of too high a feed rate).
4. Plug the switch box power cord into the electrical outlet.
5. Restart the router as described in the section, **Router and Switch Box Operations.**

**WARNING**

For your own SAFETY and the SAFETY OF OTHERS, do the following when the router table is not in use:

1. Toggle the switch box lever to the "OFF" position and remove the safety key.
2. Turn the router off.
3. Unplug the switch box power cord from the electrical outlet.
4. Remove the router bit from the router.
5. Make sure the router collet assembly is below the top of the router table.
6. Store the switch box safety key in a safe location where it is not available to children or other unauthorized persons.

**WARNING**

In the event of a power failure, blown fuse, or the router "stalling out" while routing:

- Turn the router OFF by pushing on the clear cover on the switch box.
- Remove the safety key from the switch box.
- UNPLUG the switch box cord from the electrical outlet until the problem has been corrected.

## USING THE ROUTER TABLE

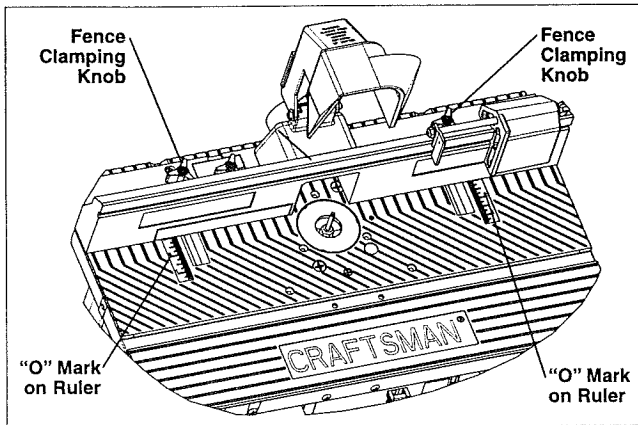
The fence on your router table is provided as a guide to hold the work piece for accuracy in routing.

**WARNING** BEFORE each and every use, make sure the router table is **SECURE** on a work-bench and **DOES NOT MOVE**.

### ALIGNMENT OF UNITIZED FENCE TO MITER BAR SLOT

1. Line up the front of the fence with the "0" marks on the top of the router table, as shown in Figure 24.

FIGURE 24



2. Tighten both fence clamping knobs **MAKING SURE THAT THE FENCE ASSEMBLY DOES NOT MOVE**.

### ADJUSTING DEPTH AND HEIGHT OF CUT

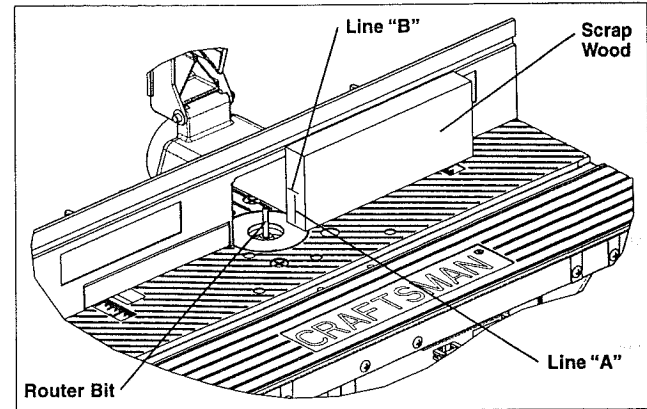
#### NOTE

The router fence should be parallel or nearly parallel to the miter bar slot. Refer to previous section on **ALIGNMENT OF UNITIZED FENCE TO MITER BAR SLOT**.

UNPLUG the router for these adjustments. Rotate the overhead guard upward in order to have full access to the router bit for making adjustments. Select a board that is smooth with edges true to each other and its surfaces. Other recommendations are the following:

1. Mark lines "A" and "B" on the end of this board. Line "A" indicates the desired depth of cut (amount of material you want to remove) and line "B" indicates the desired cutting height. See Figure 25.
2. Position the board against the face of the router table unitized fence with the edge resting on the table-top and the end marked with lines "A" and "B" close to the bit. See Figure 25. (**MAKE SURE THE ROUTER IS UNPLUGGED WHEN MAKING ADJUSTMENTS.**)
3. Loosen both large fence clamping knobs to allow for fence assembly adjustment, and move fence forward or backward until outermost cutting edge of router bit is aligned with line "A". Tighten both fence clamping knobs.

FIGURE 25



4. Raise or lower the router until top cutting edge of the bit is aligned with line "B". (Refer to your router owner's manual for adjusting your router properly.)

**AFTER MAKING THIS ADJUSTMENT, BE SURE ROUTER IS SECURELY TIGHTENED IN THE ROUTER BASE, THE BIT IS SECURELY TIGHTENED IN THE ROUTER CHUCK AND THE ROUTER BASE IS SECURED TIGHTLY TO THE ROUTER TABLE TOP.**

5. Remove the board from the fence and **LOWER THE OVERHEAD GUARD TO OPERATING POSITION**.

#### NOTE

You should substitute a scrap board for the actual workpiece while making adjustments.

#### WARNING

**DO NOT OPERATE ROUTER IF ANY PART OF THE BIT CONTACTS THE GUARD.**

### ROUTING USING FENCE WITHOUT THE PUSH BLOCK

#### Using Fence as a Jointer (Full Edge Cutting)

For maximum strength and accuracy, boards to be joined together should be smooth and true. The edges should be true to the work piece surface. You can true the edges on your router table using a straight bit.

1. Check to see if the face of the adjustable jointing fence is flush with the face of the router table fence. If not, loosen the jointing fence clamping knob on the jointing fence and push jointing fence in until it is flush with the router table fence. Tighten the knob on the jointing fence.

#### NOTE

The jointing fence provides a continuous support for the workpiece as it is fed beyond the router bit. The adjustable jointing fence compensates for the gap created from the removal of material by the router bit. See Figures 26 and 27.

2. Adjust the depth of cut (the material you want to remove) and router bit height as described in the

section **ADJUSTING DEPTH AND HEIGHT OF THE CUT**. Tightly secure the fence assembly and the router as described before. (MAKE SURE ROUTER IS UNPLUGGED WHEN MAKING ADJUSTMENTS.)

3. LOWER THE OVERHEAD GUARD to the operating position. (Overhead guard shown raised for reasons of clarity.)

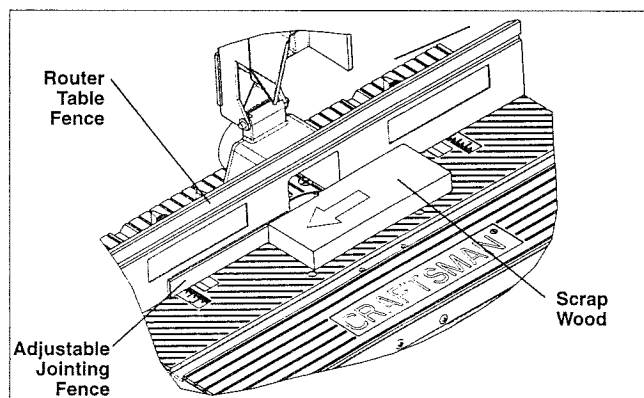
4. Check you adjustments by turning the router "ON" using the switch, and feed a piece of scrap wood a few inches beyond the router bit. Then stop and turn the router "OFF" using the switch.

**NOTE** Feed work AGAINST the rotation of the cutter as shown by the direction arrow in Figures 26 and 27.

4. Loosen the adjustable jointing fence clamping knob and move the jointing fence out, flush against the finished edge of the scrap wood, as shown in Figures 26 and 27. Retighten the adjustable jointing fence knob.
5. Repeat the test cut on the scrap wood.
6. The router table is now ready for use.

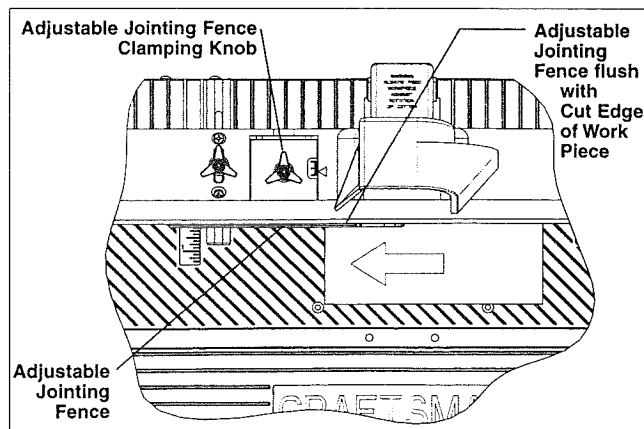
**NOTE** For best results when jointing, take very shallow cuts of 1/32" or less.

**FIGURE 26**



*Overhead guard shown raised for reasons of clarity.*

**FIGURE 27**



*Overhead guard shown raised for reasons of clarity*

## EDGE CUTTING WITH NON-PILOTED ROUTER BITS

1. Position the adjustable jointing fence so that its' face is flush with the face of the router table fence. Tighen adjustable jointing fence knob. See Figure 28.

2. Adjust the depth of cut (the material you want to remove) and router bit height as described in the section **ADJUSTING DEPTH AND HEIGHT OF THE CUT**. Tightly secure the fence assembly and the router as described before. (MAKE SURE ROUTER IS UNPLUGGED WHEN MAKING ADJUSTMENTS.)

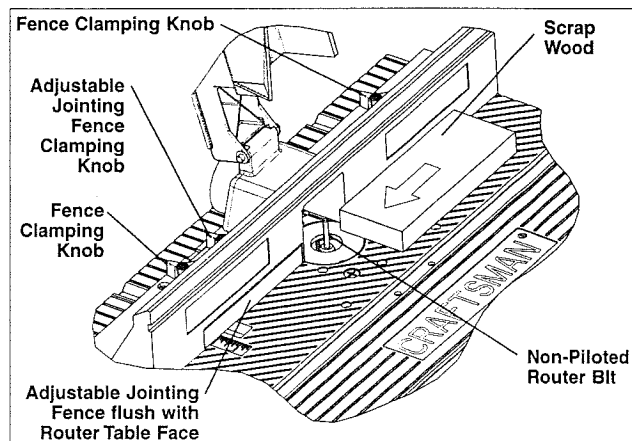
3. LOWER THE OVERHEAD GUARD to the operating position. (Overhead guard shown raised for reasons of clarity.)

4. Test cut a piece of scrap wood to make sure the adjustments are satisfactory.

**NOTE** Feed work AGAINST the rotation of the cutter as shown by the direction arrow in Figure 28.

5. The router table is now ready for use.

**FIGURE 28**



## EDGE CUTTING WITH PILOTED ROUTER BITS

1. Position the adjustable jointing fence in the same manner as with non-piloted bits.

2. Move the router table fence back only enough to permit the pilot to control the cutting depth. Positioning the fence as close to the pilot as possible will serve as a back-up and will help to prevent chances of an accident and possible personal injury. See Figures 29 and 30 on page 16.

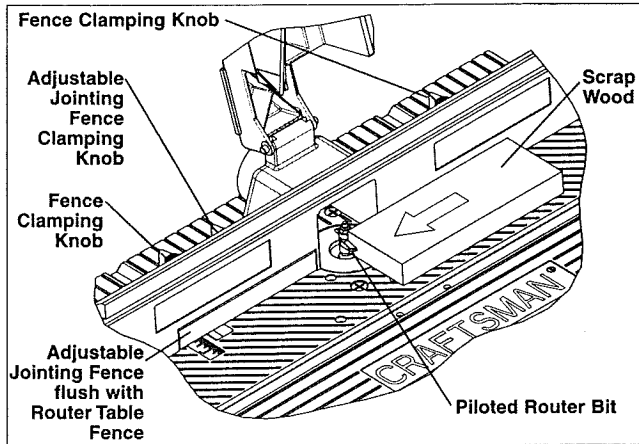
3. LOWER THE OVERHEAD GUARD to the operating position. (Overhead guard shown raised for reasons of clarity.)

4. Test cut a piece of scrap wood to make sure the adjustments are satisfactory.

**NOTE** Feed work AGAINST the rotation of the cutter as shown by the direction arrow in Figures 29 and 30.

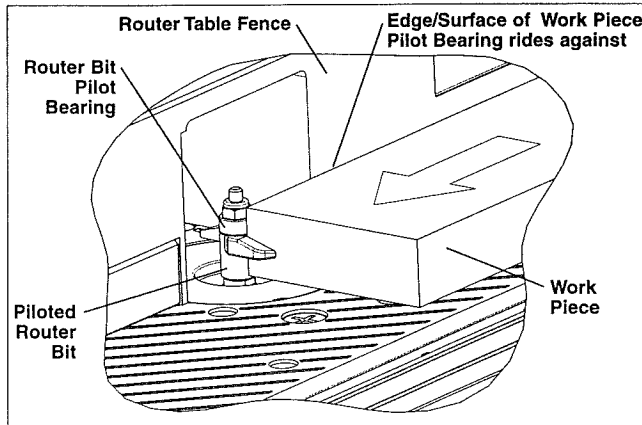
5. The router table is now ready for use.

FIGURE 29



Overhead guard shown raised for reasons of clarity.

FIGURE 30



Overhead guard shown raised for reasons of clarity.

**GROOVING, FLUTING, AND VEINING:**

Always UNPLUG the router before making any settings or adjustments, or changing bits.

When routing, always feed AGAINST the rotation of the cutter. Feed work piece in the direction of the arrow in Figure 32.

For maximum accuracy, one edge of your work piece (edge sliding against fence) must be true and straight. Set up your fence as follows:

1. Position the fence behind the router bit for the desired cutting depth (the distance of the cut from the edge of the work piece, as shown in Figure 31). Make sure the overhead guard is in place.
2. SECURELY TIGHTEN both fence clamping knobs.
3. Make the cut by sliding the straight edge of the work piece against the fence, as shown in Figure 32. (For each successive cut, the fence will need to be adjusted.)

**NOTE**

Test cut a scrap piece of wood before making your finished cut.

**NOTE**

When routing deep cuts (controlled by the router bit) in a work piece, remove material in increments to prevent your router from overloading. Repeat operation with several passes until the desired depth is achieved.

FIGURE 31

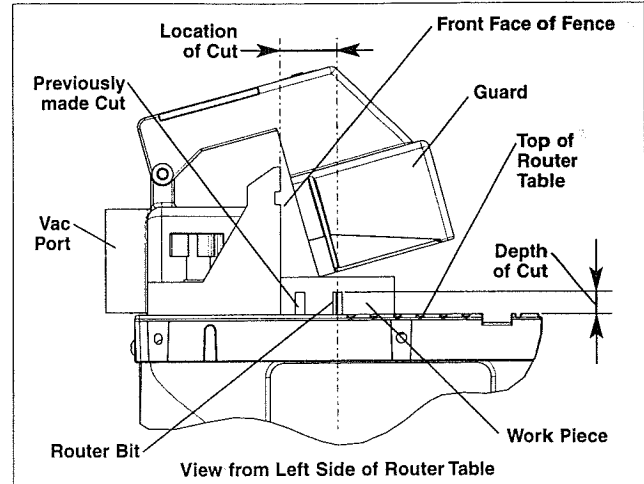
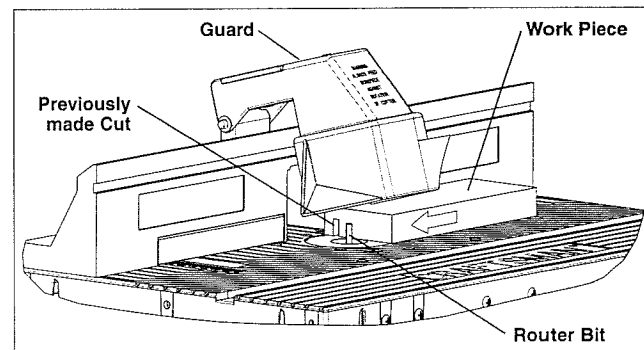


FIGURE 32



**END CUTTING USING THE FENCE WITH THE PUSH BLOCK**

**WARNING**

End cutting is performed with the overhead guard rotated back so that it does not cover the router bit. Therefore, **EXTREME CARE** must be taken when end cutting so that fingers, hands, or any other parts of your body **DO NOT** contact the bit, which could result in serious bodily injury.

When routing on the ends of a work piece for making tenons, sliding dovetails, and tongue and groove joints, the work piece must be made smooth with both the edges and the ends made true to each other and its surfaces. All surfaces must be square, or at 90° with each other.

**NOTE**

The push block and clamp plate assembly will not accommodate work pieces wider than 4".



## Cutting Tenons

1. Make certain that the adjustable fence is locked in position with its face flush with the front face of the fence.
2. Mount the push block assembly on the fence, as described in the section **PUSH BLOCK ASSEMBLY TO THE ROUTER TABLE UNITIZED FENCE**.
3. Install the proper table top insert into the table top hole.
4. Mark line "A" and "B" on the edge of the work piece closest to the end to be cut. Line "A" is the FULL DEPTH OF CUT (total amount of material you want to remove) and line "B" is the FULL DESIRED HEIGHT OF THE TENON. See Figure 33.
5. Position the work piece between the clamp plate and the push block so that its side is held flush against the face of the fence. The end to be cut is resting on the edge of the router table insert hole, and the surface marked with lines "A" and "B" is facing the router bit. Clamp the work piece in this position by snugly tightening the wing nut on the clamp rod, making sure that the clamp plate stays oriented on the work piece as shown in Figure 33. **MAKE SURE THE ROUTER IS UNPLUGGED WHEN POSITIONING AND CLAMPING THE WORK PIECE AND MAKING ADJUSTMENTS.**

### NOTE

Tighten the wing nut just enough to clamp the work piece in position. **OVERTIGHTENING** the wing nut could cause binding in the sliding motion of the push block, which in turn could result in variations and/or steps in the finished tenon surface when cut.

6. Slide work piece up next to the router bit and adjust the fence and the router, as described in the section, **ADJUSTING DEPTH AND HEIGHT OF CUT**. The outer most cutting edge of the bit should be aligned with line "A", and the top cutting edge of the bit should be aligned with line "B". Tightly secure the fence and the router.
7. Slide the push block with the work piece clamped, back away from the bit.
8. Turn router "ON" using the switch. Holding the push block and work piece against the fence **WITH BOTH HANDS AND FINGERS A SAFE DISTANCE AWAY FROM THE SPINNING BIT**, feed the work piece across the bit, making a full depth of cut in one pass. **(DO NOT STOP FEEDING THE WORK PIECE UNTIL IT HAS COMPLETELY PASSED ACROSS THE ROUTER BIT)** (Ref. Figure 34)

### NOTE

Clamp and test cut a scrap piece of wood to check your adjustments before making your finished cut.

9. Turn router "OFF" using the switch. Unclamp the

FIGURE 33

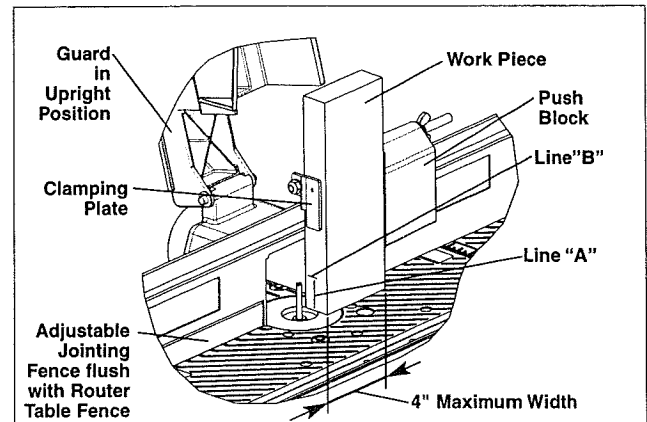
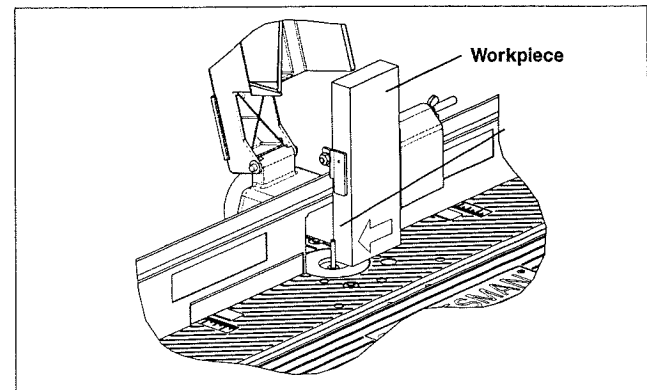


FIGURE 34

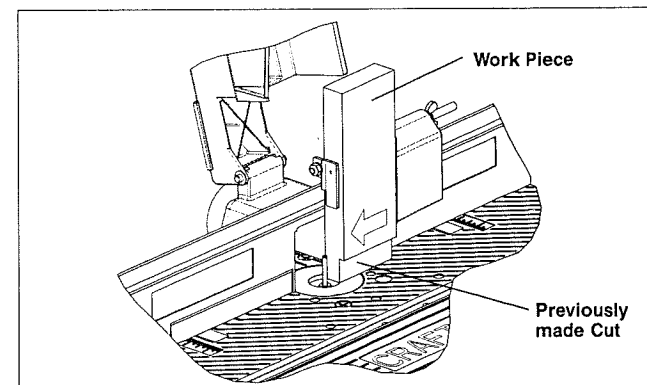


work piece and slide the push block back to the previous starting position.

10. Position and clamp the work piece in the same manner as described in step 5. (Make sure the wing nut is tightened just enough to clamp the work piece in position, and the end to be cut is resting flat on the top of the router table.) Repeat steps 7, 8, and 9. See Figure 35.

11. To cut ends of the tenon, position and clamp the work piece in the same manner as described in step 5 with the work piece oriented as shown in Figure 36. Repeat steps 7, 8, and 9. Follow these same steps for cutting the opposite side.

FIGURE 35



**NOTE**

When cutting tenons, always clamp the work piece with the end to be cut resting flat on the table top. This will minimize steps in the finished tenon surface due to variations in the table top flatness. See

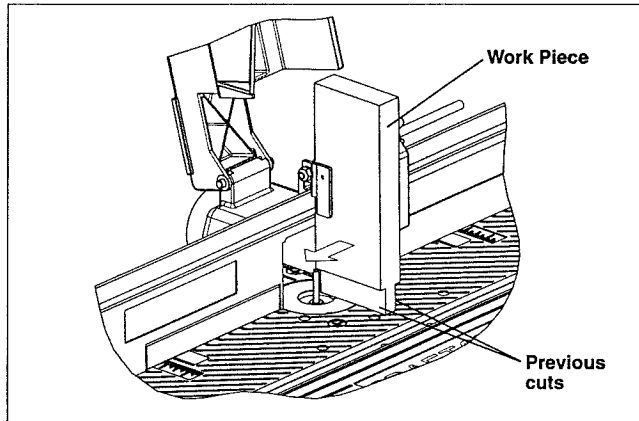
**FIGURE 36**

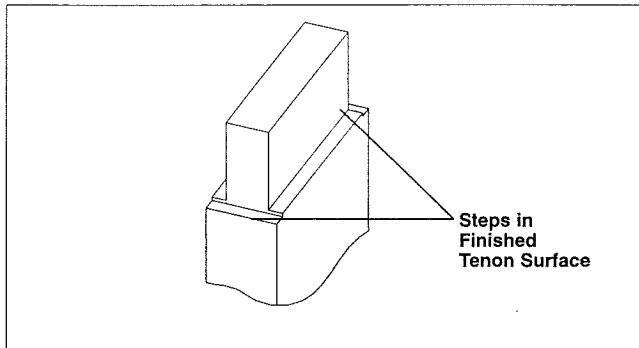
Figure 37.

**NOTE**

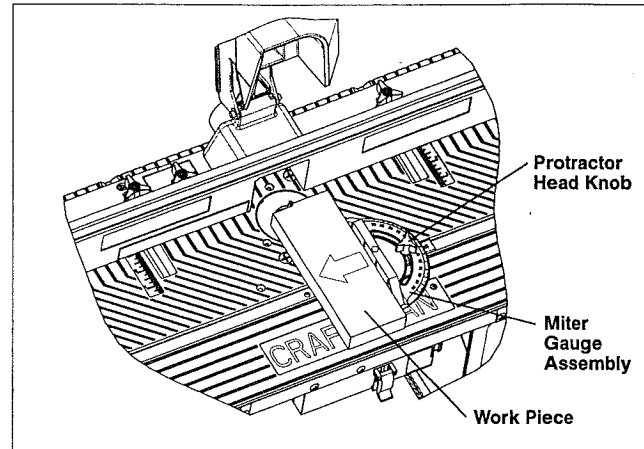
Always cut full depth on all four sides of tenon in one pass across bit.

**ROUTING USING THE MITER GAUGE**

Your miter gauge will serve as a handy aid when extra support is needed for cross grain routing small work pieces. See Figure 38.

**FIGURE 37****NOTE**

For ALL routing operations requiring use of the miter gauge along with the fence assembly, be sure to align fence assembly with the miter bar

**FIGURE 38**

*Overhead guard shown raised for reasons of clarity.*

slot before making any cuts. Refer to section **ALIGNMENT OF UNITIZED FENCE TO MITER BAR SLOT.**

Miters can be cut by loosening the protractor head knob, turning the protractor head up to 60° in either direction and tightening the protractor head knob.

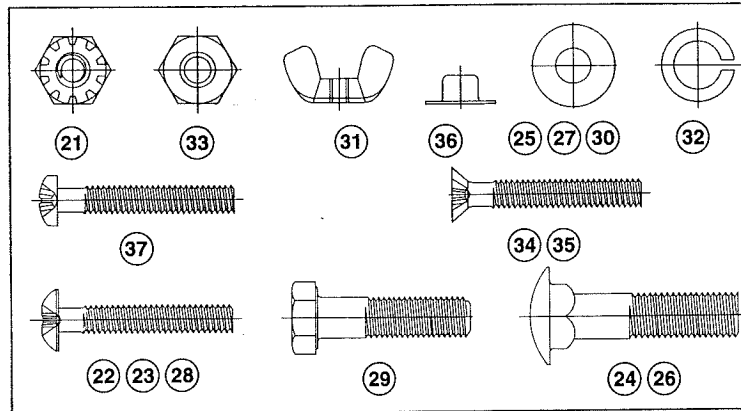
**WARNING**

- The OVERHEAD GUARD MUST BE DOWN in the OPERATING POSITION when using the miter gauge.
- Always HOLD the work piece FIRMLY and SECURELY AGAINST the miter gauge, the router table and the fence assembly when making this cut.
- Make sure that NEITHER YOUR FINGERS, HANDS, OR ANY OTHER PART OF YOUR BODY is in line with the router bit when using the miter gauge, or serious bodily injury can occur.

# PARTS LIST

## PARTS LIST FOR CRAFTSMAN PROFESSIONAL MID-SIZED ROUTER TABLE

MODEL NO. 26462

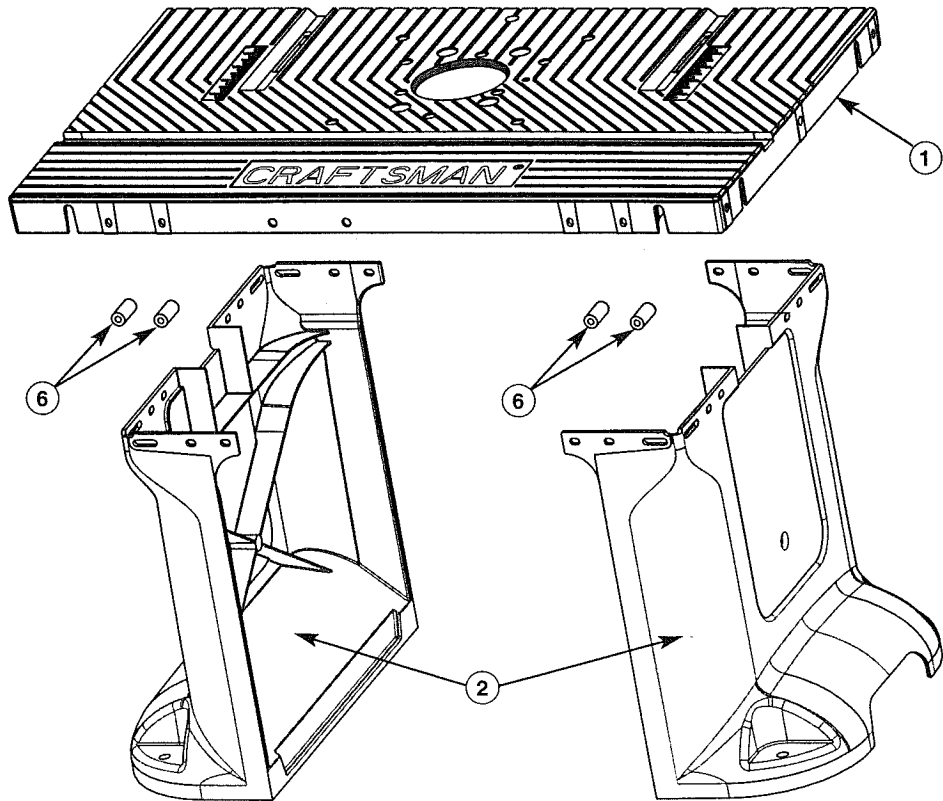


KEY	PART NO.	DESCRIPTION	QTY	KEY	PART NO.	DESCRIPTION	QTY
		<b>Router Table Assembly Consists of:</b>				<b>Bagged Fasteners Consist of:</b>	
1	29LCN-981	Router Table Top	1	21	29A-1113	#10-32 Hex "KEPS" Nut	18
2	29LCN-1283	Router Table Leg	2	22	29A-970-14	#10-32 x 5/8" Long Truss Head Machine Screw w/Phillips Recess	12
3	29LCN-996-1	Table Top Insert (1-1/4" Diameter)	1	23	29A-970-15	#10-32 x 1-3/4" Long Truss Head Machine Screw w/Phillips Recess	4
4	29LCN-996-2	Table Top Insert (1-7/8" Diameter)	1	24	29A-310-20	#10-24 x 3/4" Long Round Head Square Neck Bolt	1
5	29LCN-996-3	Table Top Insert (2-1/8" Diameter)	1	25	29A-306-37	13/64" I.D. x 9/16" O.D. x .040" Thick Washer	1
6	29LCN-1255	Leg Spacer	4	26	29A-310-07	1/4-20 x 1-3/4" Long Round Head Square Neck Bolt	2
7	29LCN-1019	Switch Assembly	1	27	29A-306-41	9/32" I.D. x 3/4" O.D. x 1/16" Thick Washer	3
8	29LCN-1018	Switch Key (Repair Part only)	1	28	29A-970-5	#10-32 x 1/2" Long Truss Head Machine Screw w/ Phillips Recess	1
		<b>Fence Assembly Consists of:</b>		29	29A-246-20	1/4-20 x 1" Long Finished Hex Head Bolt	1
9	29LCN-994	Router Table Fence	1	30	29A-306-42	11/32" I.D. x 11/16" O.D. x 1/16" Thick Washer	1
10	29LCN-758	Adjustable Jointing Fence	1	31	29A-252-16	5/16-20 Wing Nut	1
11	29LCN-997	Fence Guide	1	32	29A-327-5	1/4" Lock Washer (Helical)	1
12	29LCN-760	Overhead Guard	1	33	29A-242-16	1/4-28 Hex Nut	1
13	29LCN-757	Overhead Guard Pivot Pin	1	34	29LD-841-14	5/16-18 x 1-1/4" Long Flat Countersunk Head Machine Screw w/ Phillips Recess	3
14	29L-659	Knob (Medium)	3	35	29LD-841-2	#10-32 x 5/8" Long Flat Countersunk Head Machine Screw w/ Phillips Recess	3
		<b>Push Block Assembly Consists of:</b>		36	29GD-321	1/4" Washer Cap Pushnut	2
15	29LCN-759	Push Block	1	37	29L-469-22	#10-32 x 7/8" Long Pan Head Machine Screw w/ Phillips Recess	2
16	29L-651	Clamp Rod	1	--	49LCN-84	Owner's Manual	1
17	29L-652	ClampPlate	1				
		<b>Miter Gauge Assembly Consists of:</b>					
18	29LCN-1119	Miter Bar	1				
19	29L-293	Protractor Head	1				
20	31L-560	Knob (Small)	1				

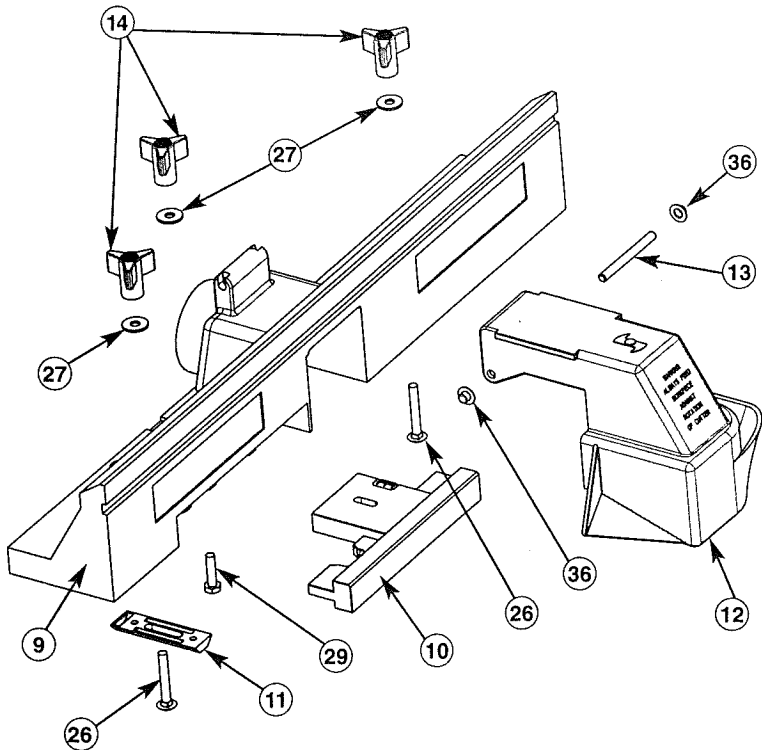
PARTS LIST



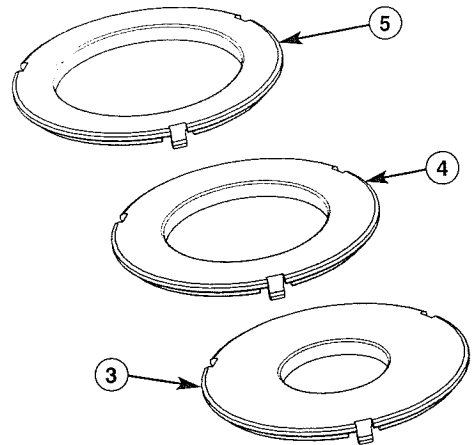
### TABLE ASSEMBLY



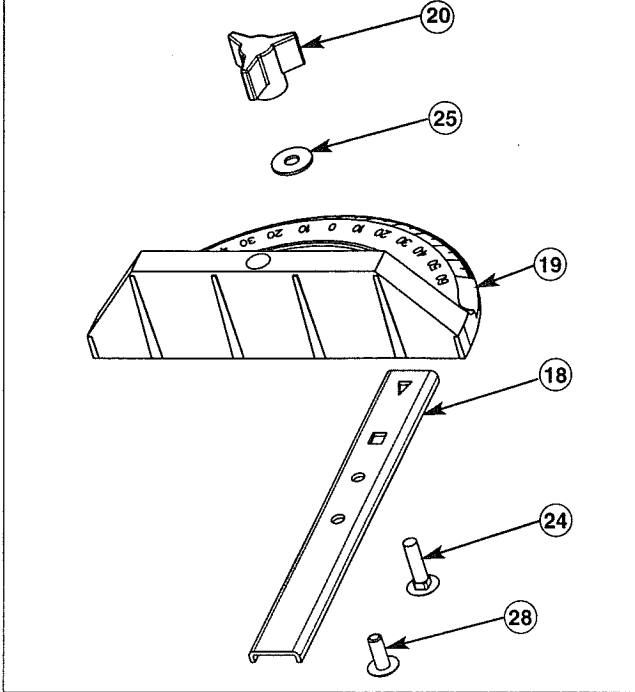
### FENCE ASSEMBLY



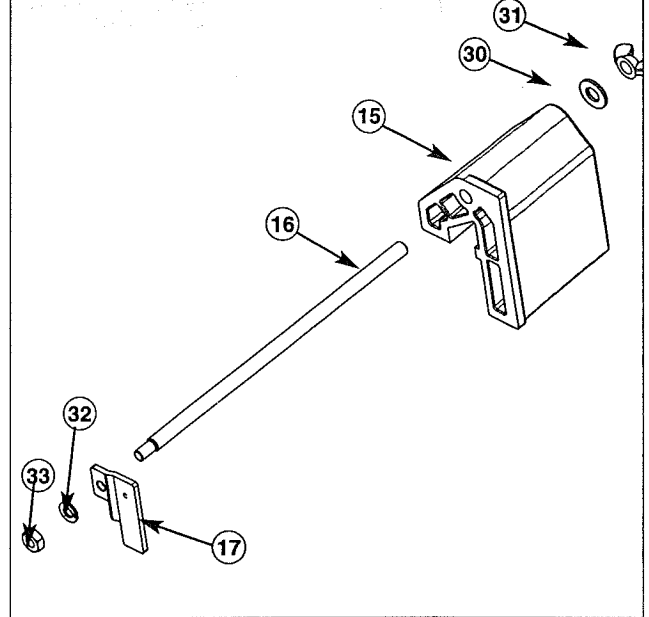
### MISCELLANEOUS PARTS



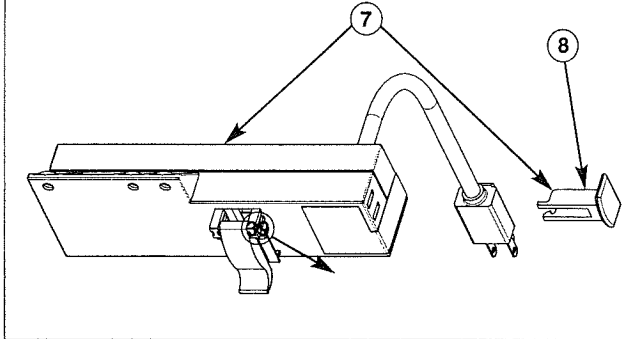
### MITER BAR ASSEMBLY



### PUSH BLOCK ASSEMBLY



### SWITCH ASSEMBLY



Printed in U.S.A.  
12/00

49LCN-84

When corresponding, always give the following  
information as shown in the list:

1. The PART NUMBER
  2. The PART DESCRIPTION
  3. The MODEL NUMBER: 26462
  4. The ITEM NAME – PROFESSIONAL MID-SIZED  
ROUTER TABLE
-