

# CRAFTSMAN®

## Operator's Manual

### Snow Thrower

5.0 Horsepower

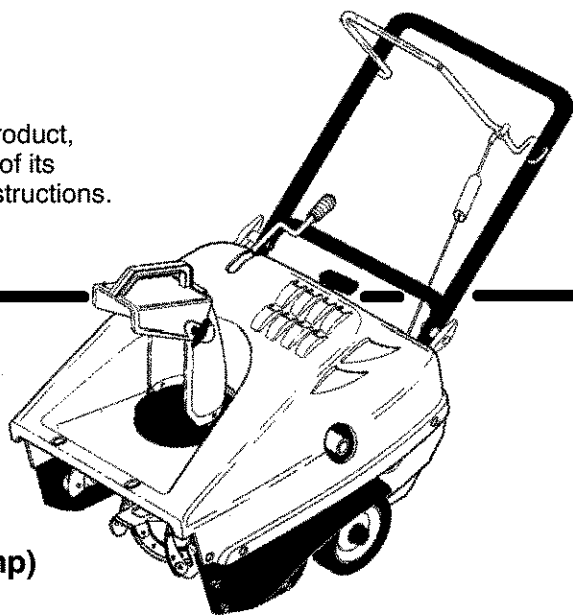
Electric Start

21-inch Single Stage

Auger Propelled

Model 536.885214

**CAUTION:** Before using this product, read this manual and follow all of its Safety Rules and Operating Instructions.



## Manual del usuario

### Quitanieves

de 21 pulgadas

5.0 caballos de fuerza (hp)

Monoetápico

Arranque eléctrico

Propulsado por barrena

Modelo 536.885214

**PRECAUCIÓN:** Antes de usar este producto, lea este manual y siga todas las reglas de seguridad e instrucciones de operación.

Sears, Roebuck and Co., Hoffman Estates, IL 60179 U.S.A.

F-031021C

[www.sears.com/craftsman](http://www.sears.com/craftsman)

## TABLE OF CONTENTS

WARRANTY STATEMENT .....	2	STORAGE .....	20
SAFETY RULES .....	2	TROUBLE SHOOTING CHART ..	21
INTERNATIONAL SYMBOLS ....	4	REPAIR PARTS .....	25
ASSEMBLY .....	6	ENGINE REPAIR PARTS .....	34
OPERATION .....	8	SPANISH (ESPAÑOL) .....	40
MAINTENANCE .....	14	PARTS ORDERING/SERVICE ...	64
SERVICE AND ADJUSTMENT ...	16		

## WARRANTY STATEMENT

### LIMITED TWO-YEAR WARRANTY ON CRAFTSMAN SNOW THROWER

For two years from the date of purchase, when this Craftsman Snow thrower is maintained, lubricated, and tuned up according to the operating and maintenance instructions in the owner's manual, Sears will repair, free of charge, any defect in material or workmanship.

If this Craftsman Snow thrower is used for commercial or rental purposes, this warranty applies for only 90 days from the date of purchase.

This warranty does not cover the following:

- Items which become worn during normal use, such as spark plugs, drive belts and shear pins.
- Repair necessary because of operator abuse or negligence, including bent crankshafts and the failure to maintain the equipment according to the instructions contained in the owner's manual.

**WARRANTY SERVICE IS AVAILABLE BY RETURNING THE CRAFTSMAN SNOW THROWER TO THE NEAREST SEARS SERVICE CENTER IN THE UNITED STATES. THIS WARRANTY APPLIES ONLY WHILE THIS PRODUCT IS IN USE IN THE UNITED STATES.**

This warranty gives you specific legal rights, and you may also have other rights which may vary from state to state.

Sears, Roebuck and Co., D817WA, Hoffman Estates. IL 60179

## SAFETY RULES



**LOOK FOR THIS SYMBOL TO POINT OUT IMPORTANT SAFETY PRECAUTIONS. IT MEANS-- ATTENTION!!! BECOME ALERT!!! YOUR SAFETY IS INVOLVED.**



### WARNING:



Engine Exhaust, some of its constituents, and certain vehicle components contain or emit chemicals known to the State of California to cause cancer and birth defects or other reproductive harm.

Battery posts, terminals and related accessories contain lead and lead compounds, chemicals known to the State of California to cause cancer and birth defects or other reproductive harm. **WASH HANDS AFTER HANDLING.**



**WARNING:** Always disconnect the spark plug wire and place it where it cannot make contact with spark plug to prevent accidental starting during: Preparation, Maintenance, or Storage of your snow thrower.

**IMPORTANT:** Safety standards require operator presence controls to minimize the risk of injury. Your snow thrower is equipped with such controls. Do not attempt to defeat the function of the operator presence control under any circumstances.

## TRAINING

1. Read this operating and service instruction manual carefully. Be thoroughly familiar with the controls and the proper use of the snow thrower. Know how to stop the snow thrower and disengage the controls quickly.
2. Never allow children to operate the snow thrower. Never allow adults to operate the snow thrower without proper instruction.
3. Keep the area of operation clear of all persons, particularly small children and pets.
4. Exercise caution to avoid slipping or falling especially when operating in reverse.

## PREPARATION

1. Thoroughly inspect the area where the snow thrower is to be used and remove all doormats, sleds, boards, wires, and other foreign objects.
2. Disengage all clutches before starting the engine (motor).
3. Do not operate the snow thrower without wearing adequate winter outer garments. Wear footwear that will improve footing on slippery surfaces.
4. Handle fuel with care; it is highly flammable.
  - a. Use an approved fuel container.
  - b. Never remove fuel tank cap or add fuel to a running engine (motor) or hot engine (motor).
  - c. Fill fuel tank outdoors with extreme care. Never fill fuel tank indoors.
  - d. Replace fuel cap securely and wipe up spilled fuel.
  - e. Never store fuel or snow thrower with fuel in the tank inside of a building where fumes may reach an open flame or spark.
  - f. Check fuel supply before each use, allowing space for expansion as the heat of the engine (motor) and/or sun can cause fuel to expand.
5. For all snow throwers with electric starting motors use electric starting extension cords certified CSA/UL. Use only with a receptacle that has been installed in accordance with local inspection authorities.
6. Never attempt to make any adjustments while the engine (motor) is running (except when specifically recommended by manufacturer).
7. Let engine (motor) and snow thrower adjust to outdoor temperatures before starting to clear snow.

8. Always wear safety glasses or eye shields during operation or while performing an adjustment or repair to protect eyes from foreign objects that may be thrown from the snow thrower.

## OPERATION

1. Do not operate this snow thrower if you are taking drugs or other medication which can cause drowsiness or affect your ability to operate this snow thrower.
2. Do not use the snow thrower if you are mentally or physically unable to operate the snow thrower safely.
3. Do not put hands or feet near or under rotating parts. Keep clear of the discharge opening at all times.
4. Exercise extreme caution when operating on or crossing gravel drives, walks or roads. Stay alert for hidden hazards or traffic.
5. After striking a foreign object, stop the engine (motor), remove the wire from the spark plug, thoroughly inspect snow thrower for any damage, and repair the damage before restarting and operating the snow thrower.
6. If the snow thrower should start to vibrate abnormally, stop the engine (motor) and check immediately for the cause. Vibration is generally a warning of trouble.
7. Stop the engine (motor) whenever you leave the operating position, before unclogging the auger/impeller housing or discharge chute and when making any repairs, adjustments, or inspections.
8. When cleaning, repairing, or inspecting, make certain the auger/impeller and all moving parts have stopped and all controls are disengaged. Disconnect the spark plug wire and keep the wire away from the spark plug to prevent accidental starting.
9. Take all possible precautions when leaving the snow thrower unattended. Disengage the auger/ impeller, stop engine (motor), and remove key.
10. Do not run the engine (motor) indoors, except when starting the engine (motor) and for transporting the snow thrower in or out of the building. Open the outside doors; exhaust fumes are dangerous (containing CARBON MONOXIDE, an ODORLESS and DEADLY GAS).
11. Do not clear snow across the face of slopes. Exercise extreme caution when changing direction on slopes. Do not attempt to clear steep slopes.
12. Never operate the snow thrower without proper guards, plates or other safety protective devices in place.

13. Never operate the snow thrower near enclosures, automobiles, window wells, drop-offs, and the like without proper adjustment of the snow discharge angle. Keep children and pets away.
14. Do not overload the snow thrower capacity by attempting to clear snow at too fast a rate.
15. Never operate the snow thrower at high transport speeds on slippery surfaces. Look behind and use care when backing up.
16. Never direct discharge at bystanders or allow anyone in front of the snow thrower.
17. Disengage power to the collector/impeller when snow thrower is transported or not in use.
18. Use only attachments and accessories approved by the manufacturer of the snow thrower (such as tire chains, electric start kits, ect.).
19. Never operate the snow thrower without good visibility or light. Always be sure of your footing and keep a firm hold on the handles. Walk; never run.
20. Do not over-reach. Keep proper footing and balance at all times.
21. Do not attempt to use snow thrower on a roof.

## MAINTENANCE AND STORAGE

1. Check shear bolts and other bolts at frequent intervals for proper tightness to be sure the snow thrower is in safe working condition.
2. Never store the snow thrower with fuel in the tank inside a building where ignition sources are present such as hot water and space heaters, clothes dryers, and the like. Allow the engine (motor) to cool before storing in any enclosure.
3. Always refer to operator's guide instructions for important details if the snow thrower is to be stored for an extended period.
4. Maintain or replace safety and instruction labels, as necessary.
5. Run the snow thrower a few minutes after throwing snow to prevent freeze-up of the auger/impeller.



**WARNING:** This snow thrower is for use on sidewalks, driveways and other ground level surfaces.

Caution should be exercised while using on steep sloping surfaces. **DO NOT USE SNOW THROWER ON SURFACES ABOVE GROUND LEVEL** such as roofs of residences, garages, porches or other such structures or buildings.

## SYMBOLS

**IMPORTANT:** Many of the following symbols are located on your snow thrower or on literature supplied with the product. Before you operate the snow thrower, learn and understand the purpose for each symbol.

### Control And Operating Symbols



Slow



Fast



Electric Start



Engine Start



Engine Run



Engine Off



Engine Stop



On



Choke Off



Choke On



Neutral



Throttle



Primer Button



Ignition Key



Ignition Off



Ignition On



Drive Clutch



Forward



Reverse



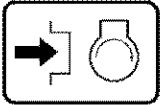
Auger Clutch



Auger Collector



Engage



Push To Engage  
Electric Starter



Fuel



Oil



Fuel Oil Mixture



Discharge DOWN



Discharge UP



Discharge LEFT



Discharge RIGHT



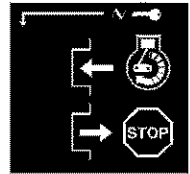
Weight Transfer  
Lift Handle To  
Engage



Weight Transfer  
Depress Pedal  
To Disengage



Transmission

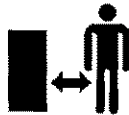


Ignition Key  
Insert To Run,  
Pull Out To Stop.

## Safety Warning Symbols



**DANGER**  
Thrown Objects.  
Keep Bystanders Away.



**DANGER**  
Thrown Objects.  
Keep Bystanders Away.



**WARNING**



**IMPORTANT**  
Read Owner's Manual  
Before Operating  
This Machine.



**DANGER**  
Avoid Injury From  
Rotating Auger. Keep  
Hands, Feet And  
Clothing Away.



**DANGER**  
Stop The Engine  
Before Unclogging  
Discharge Chute!



**WARNING**  
Hot Surface



**STOP**

# ASSEMBLY

## Contents of Parts Bag

- 1 - Owner's Manual (not shown)
- 1 - Electric Starter Cord (not shown)
- 1 - Fuel Stabilizer (not shown)



- 1- Container 3.2 ounce Craftsman 2-cycle oil



**WARNING:** Always wear safety glasses or eye shields while assembling snow thrower.

## TOOLS REQUIRED

- 1 - Knife to cut carton

Figure 1 shows the snow thrower in the operating position.

References to the right or left hand side of the snow thrower are from the viewpoint of the operator's position behind the unit.

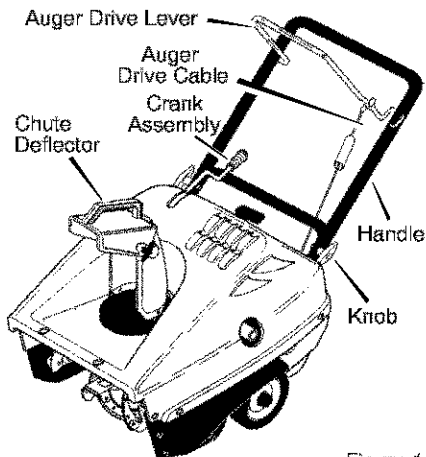


Figure 1

## HOW TO REMOVE FROM THE CARTON

1. Remove the manual pack from the carton. The manual pack contains a container of Craftsman 2-cycle oil and any parts that may be required to assemble the unit.
2. Remove and discard the packing material from around the snow thrower.
3. Cut down all four corners of the carton and lay the panels flat.
4. Hold onto the lower handle and pull the snow thrower off the carton.  
**CAUTION: DO NOT back over cables.**
5. Remove the packing material from the handle assembly.

## How To Assemble The Handle

1. Loosen the knobs on each side of the handle (Figure 1).
2. Raise the upper handle to the operating position. Hold the upper handle apart to prevent scratching the lower handle.  
**NOTE: Make sure the cables are not caught between the upper and lower handle.**
3. Tighten the knobs.

## ASSEMBLY

### ✓ CHECKLIST

Before you operate your new snow thrower, to ensure that you receive the best performance and satisfaction from this quality product, please review the following checklist:

- ✓ All assembly instructions have been completed.
- ✓ The discharge chute rotates freely.
- ✓ No remaining loose parts in carton.

While learning how to use your snow thrower, pay extra attention to the following important items:

- ✓ Make sure the fuel tank is filled with the correct mixture (40:1 ratio) of gasoline and oil.
- ✓ Become familiar with the location of all controls and understand their function.
- ✓ Before starting the engine, make sure all controls operate correctly.

---

### PRODUCT SPECIFICATIONS

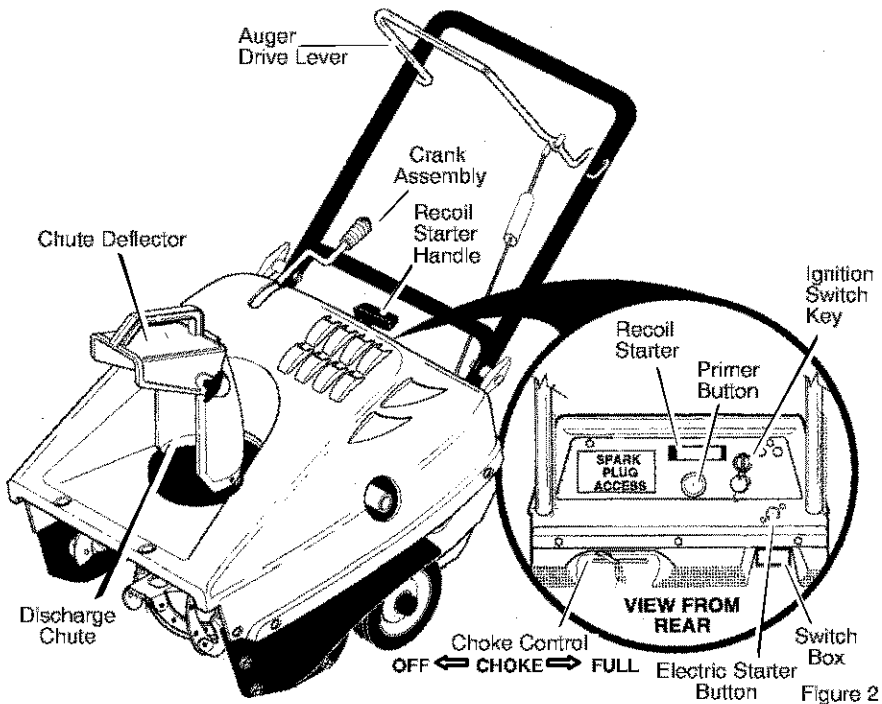
<b>Horse Power:</b>	5
<b>Displacement:</b>	8.46 cu. in.
<b>Fuel Tank:</b>	1.62 quart
<b>Fuel/Oil Mixture:</b>	40:1 Ratio 3.2 ounces of air cooled engine 2-cycle oil specified for 40:1 per 1 gallon of gasoline.
<b>Spark Plug:</b>	Champion RCJ8Y or equivalent (Gap 0.030)

**NOTE:** Engine horsepower ratings may vary by engine adjustments, manufacturing variances, altitude, atmospheric conditions, fuel and maintenance.

# OPERATION

## KNOW YOUR SNOW THROWER

READ THIS OWNER'S MANUAL AND SAFETY RULES BEFORE OPERATING YOUR SNOW THROWER. Compare the illustrations with your SNOW THROWER to familiarize yourself with the location of various controls and adjustments. Save this manual for future reference.



**Auger Drive Lever** - Starts and stops the auger.

**Crank Assembly** - Changes the direction of snow throwing through the discharge chute.

**Chute Deflector** - Changes the distance the snow is thrown.

**Discharge Chute** - Changes the direction the snow is thrown.

**Ignition Switch Key** - Must be inserted and turned to the ON position to start the engine.

**Recoil Starter Handle** - Starts the engine manually.

**Electric Starter Button** - Use to start the engine when using the 120V electric starter.

**Choke Control** - Used to start a cold engine.

**Primer Button** - Injects fuel directly into the carburetor manifold for fast starts in cold weather.

**Spark Plug Access Panel** - Aides in the removal of the spark plug.

**Switch Box** - Connection for the electric start power cord.

## OPERATION



**WARNING:** Read Owner's Manual before operating machine. Never direct discharge toward bystanders. Stop the engine before unclogging discharge chute or auger housing and before leaving the machine.



**WARNING:** The operation of any snow thrower can result in foreign objects being thrown into the eyes, which can result in severe eye damage. Always wear safety glasses or eye shields while operating the snow thrower. We recommend standard safety glasses or use a wide vision safety mask over your glasses.

### TO STOP THE SNOW THROWER

1. To stop throwing snow, release the **auger drive lever**. See Figure 2.

**NOTE:** If the snow thrower continues to slowly move forward, see "Adjust Auger Control Cable" in the Service And Adjustment Section.

2. To stop the engine, move the ignition key to the OFF/STOP position.

### TO CONTROL SNOW DISCHARGE

1. Turn the chute control rod to set the direction of the snow throwing.
2. Loosen the **wing knob** on the chute deflector and move the deflector to set the distance. Move the deflector (**Up**) for more distance, (**Down**) for less distance. Then tighten the **wing knob** (See Figure 3).

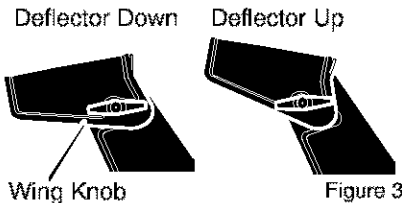


Figure 3

### HOW TO THROW SNOW

1. Engage the **auger drive lever**.
2. To stop throwing snow, release the **auger drive lever**.

### HOW TO MOVE FORWARD

1. Hold the **auger drive lever** against the **handle** (See Figure 4). The auger will begin rotating.
2. To go forward, raise the **handle** to allow the **rubber auger blades** to contact the ground. Maintain a firm hold on the **handle** as the snow thrower starts to move forward. Guide the snow thrower by moving the **handle** either left or right. Do not attempt to push the snow thrower.
3. To stop, release the **auger drive lever**.

**NOTE:** If the auger continues to rotate, see "How To Adjust The Auger Control Cable" in the Service and Adjustments section.

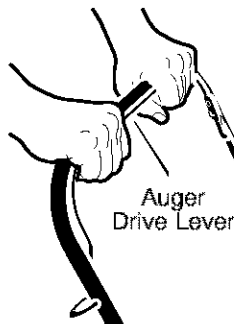


Figure 4

# OPERATION

## FILL GAS:

The engine is certified to comply with California and US EPA emission regulations for ULGE (Utility or Lawn and Garden Equipment) engines. ULGE engines are certified to operate on regular unleaded gasoline.



**WARNING:** Alcohol blended fuels (called gasohol or those using ethanol or methanol) can attract moisture which leads to separation and formation of acids during storage. Acidic gas can damage the fuel system of an engine while in storage.

**NOTE:** To avoid engine problems, the fuel system must be emptied before storage for 30 days or longer. Start the engine and let it run until the fuel lines and carburetor are empty. Use the carburetor bowl drain to empty residual gasoline from the float chamber. Use fresh fuel next season. See the **Storage** section in this manual for additional information.

Never use engine or carburetor cleaner products in the fuel tank or permanent damage may occur.

## HOW TO MIX THE FUEL MIXTURE

The two cycle engine, used on this snow thrower, requires a mixture of

gasoline and oil for lubrication of the bearings and other moving parts. The correct fuel mixture ratio is 40:1 (3.2 oz. oil per one gallon of gas - see the Fuel Mixture Chart). Gasoline and oil must be pre-mixed in a clean gasoline container. Always use fresh, clean, unleaded gasoline.

## FUEL MIXTURE CHART (mixture 40:1)

U.S.	IMPERIAL	SI. (Metric)
------	----------	--------------

GAS	OIL	GAS	OIL	GAS	OIL
1 Gal.	3.2 oz.	1 Gal.	3.7 oz.	4 liter	100 ML

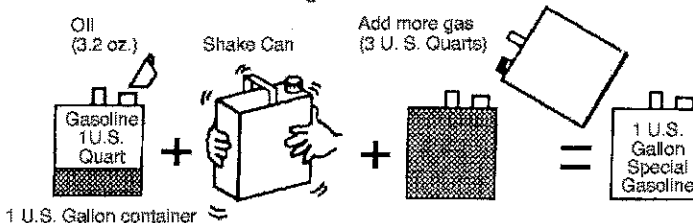
Mix gasoline and oil as follows:

1. Pour one (1) U.S. quart of fresh, clean, unleaded automotive gasoline into a one gallon size gasoline container.
2. Add 3.2 ounces of clean, high quality, two-cycle oil to the gasoline container.

**IMPORTANT:** Do not use out-board motor oil or multi-viscosity oils, such as 10W-30 or 10W-40.

3. Install the fuel cap onto the gasoline container. Vigorously shake the gasoline container to mix the oil with the gasoline.
4. Add an additional three (3) U.S. quarts of gasoline to the gallon container. Again shake the gasoline container.

Do not fill the fuel tank with gasoline that does not have oil mixed in it. Shake the gasoline container before each filling of the fuel tank.



# OPERATION



**WARNING:** Gasoline is flammable. Always use caution when handling or storing gasoline.

- Do not fill fuel tank while snow thrower is running, when it is hot, or when snow thrower is in an enclosed area.
- Keep away from open flame or an electrical spark and do not smoke while filling the fuel tank.
- Never fill the tank completely. Fill the tank to within 1/4"-1/2" from the top to provide space for expansion of fuel.
- Always fill fuel tank outdoors and use a funnel or spout to prevent spilling.
- Make sure to wipe up any spilled fuel before starting the engine.
- Store gasoline in a clean, approved container and keep the cap in place on the container.

## BEFORE STARTING THE ENGINE

1. Before you service or start the engine, familiarize yourself with the snow thrower. Be sure you understand the function and location of all controls.
2. Be sure that all fasteners are tight.
3. Before starting the engine, make sure all controls operate correctly.

## HOW TO STOP THE ENGINE

To stop the engine, move the ignition key to the OFF/STOP position.

## HOW TO START THE ENGINE

The engine is equipped with a 120 volt AC electric starter and also a recoil starter.



**WARNING:** The starter is designed to operate on 120 volt A.C. household current. Carefully follow all instructions in the "How To Start The Engine" section. To connect a 120 volt A.C. power cord, always plug the power cord to the switch box on the engine first. Then, plug the other end into the receptacle. When disconnecting the power cord, always unplug the end from the receptacle first.

## How To Start A Cold Engine

1. Fill the fuel tank with a fresh, clean fuel mixture. See "How To Mix The Fuel Mixture".
2. Make sure the **auger drive lever** is in the disengaged (released) position.
3. Insert the **Ignition key** and turn to the ON position.
4. Slide the **choke control** to the FULL choke position.
5. **(Electric Start)** Plug the power cord into the **switch box** located on the engine.
6. **(Electric Start)** Plug the other end of the power cord into a 120 VOLT, A.C. receptacle. (See the WARNING in this section).
7. Push the **primer button** as specified below. Remove finger from primer button between pushes.
  - Do not push if temperature is above 50° F (10° C).
  - Push two times if temperature is 50° F (10° C) to 15°F (-10° C).
  - Push four times if temperature is below 15° F (-10° C).
  - Push five times if temperature is below 0° F (-18° C).

## OPERATION

- (Electric Start)** Push on the **electric start button** until the engine starts. Do not crank the starter for more than 10 seconds at a time. The electric starter is thermally protected. If the electric starter overheats, it will automatically stop and can only be restarted when it has cooled to a safe temperature. A wait of about 5 to 10 minutes is required to allow the electric starter to cool.
- (Recoil Start)** Rapidly pull the **recoil starter handle**. Do not allow the **recoil starter handle** to snap back. Slowly return the **recoil starter handle**.
- If the engine does not start in 5 or 6 tries, See Difficult Starting in the "Troubleshooting Table".
- (Electric Start)** When the engine starts, release the **electric start button**.
- (Electric Start)** First disconnect the power cord from the receptacle. Then, disconnect the power cord from the **switch box**.
- As the engine warms up, move the **choke control** to 1/2 choke position. When the engine runs smooth-

ly, move the **choke control** to the off position.

**NOTE:** Allow the engine to warm up for several minutes before blowing snow in temperatures below 0°F.

### How To Start A Warm Engine

If restarting a warm engine after a short shutdown, leave choke at "OFF" and do not push the primer button. If the engine fails to start, follow the Cold Start instructions.



**WARNING: Never run engine indoors or in enclosed, poorly ventilated areas. Engine exhaust contains CARBON MONOXIDE, AN ODORLESS AND DEADLY GAS. Keep hands, feet, hair and loose clothing away from any moving parts on engine and snow thrower.**

- The temperature of muffler and nearby areas may exceed 150°F. Avoid these areas.
- DO NOT** allow children or young teenagers to operate or be near snow thrower while it is operating.

### HOW TO REMOVE OBJECTS FROM AUGER



**WARNING: Do not attempt to remove any item that may become lodged in auger without taking the following precautions:**

- Release auger drive lever.
- Move the ignition lever to the stop position to stop the engine.
- Disconnect spark plug wire.
- Do not place your hands in the auger or discharge chute. Use a pry bar.

## OPERATION

### SNOW THROWING TIPS

1. When the handle is raised, the auger blades will engage the ground and the snow thrower will move forward. When the auger drive lever is released, the auger blades will stop. If the blades do not stop, see "How To Adjust The Auger Drive Cable" in the Service And Adjustment section.
2. Most efficient snow throwing is accomplished when the snow is removed immediately after it falls.
3. For complete snow removal, slightly overlap each previous path.
4. Whenever possible, discharge the snow down wind.
5. The distance the snow will be discharged can be adjusted by moving the discharge chute deflector. Raise the deflector for more distance or lower the deflector for less distance.
6. In windy conditions, lower the chute deflector to direct the discharged snow close to the ground where it is less likely to blow into unwanted areas.
7. For safety and to prevent damage to the snow thrower, keep the area to be cleared free of stones, toys and other foreign objects.
8. When clearing snow from crushed rock or gravel driveways, do not allow the auger blades to contact the driveway. Move the handle down to slightly raise the auger blades.
9. The forward speed of the snow thrower is dependent on the depth and weight of the snow. Experience will establish the most effective method of using the snow thrower under different conditions.

10. After each snow throwing job, allow the engine to run for a few minutes. The snow and accumulated ice will melt off the engine.
11. Clean the snow thrower after each use. Remove ice, snow and debris from the entire snow thrower. Flush with water to remove all salt or other chemicals. Wipe snow thrower dry.

### DRY AND AVERAGE SNOW

1. Snow up to eight inches deep can be removed rapidly and easily by walking at a moderate rate. For snow or drifts of a greater depth, slow your pace to allow the discharge chute to dispose of the snow as rapidly as the auger receives the snow.
2. Plan to have the snow discharged in the direction the wind is blowing.

### WET PACKED SNOW

Move slowly into wet, packed snow. If the wet, packed snow causes the auger to slow down or the discharge chute begins to clog, back off and begin a series of short back and forth jabs into the snow. These short back and forth jabs, four to six inches, will "belch" the snow from the chute.

### SNOW BANKS AND DRIFTS

In snow of greater depth than the unit, use the same "jabbing" technique described above. Turn the discharge chute away from the snow bank. More time will be required to remove snow of this type than level snow.

# MAINTENANCE

## CUSTOMER RESPONSIBILITIES

SERVICE RECORDS	Before Each Use	Often	Every 5 Hours	Every 10 Hours	Every 25 Hours	Each Season	Before Storage	SERVICE DATES
Tighten All Screws and Nuts	✓	✓						
Check Spark Plug					✓	✓		
Lubricate Chute Control Flange							✓	
Drain Fuel							✓	
Check Fuel	✓							
Check Adjustment of Auger Control Cable						✓		

## GENERAL RECOMMENDATIONS

The warranty on this snow thrower does not cover items that have been subjected to operator abuse or negligence. To receive full value from the warranty, the operator must maintain the snow thrower as instructed in this manual.

Some adjustments will need to be made periodically to properly maintain your snow thrower.

## AFTER EACH USE

- Run the machine to clear the auger of snow.
- To prevent freezing of the auger or controls, remove all snow and slush from the snow thrower.
- Check for any loose or damaged parts.
- Tighten any loose fasteners.
- Check and maintain the auger.
- Check controls to make sure they are functioning properly.
- If any parts are worn or damaged, replace immediately.

## LUBRICATION

### Before Storage

1. Remove the **top cover**. See "How To Remove The Top Cover".
2. Lubricate the **chute control flange**. Apply a clinging type of grease such as Lubriplate.

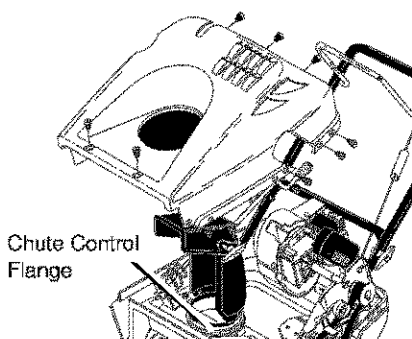


Figure 5

## ADJUST AUGER CONTROL CABLE

The auger control cable is adjusted at the factory. During normal use, the auger control cable can become stretched and the auger drive lever will not properly engage or disengage the auger.

1. Remove the "Z" hook from the **auger drive lever** (Figure 6).
2. Slide the **cable boot** up the **auger control cable** until the **cable boot** does not cover any portion of the **cable adjustment bracket** (Figure 7).
3. Pull the **auger control cable** through the eyehole in the **cable adjustment bracket** as shown by the arrow in Figure 7. This will create enough slack to allow the "Z" hook to be easily removed.
4. Install the "Z" hook into the next available adjustment hole in the **cable adjustment bracket**. This is the adjustment hole located one notch down from where the "Z" hook was previously attached.
5. Pull the **auger control cable** back through the eyehole of the **cable adjustment bracket** until all the slack is taken out of the **auger control cable**.
6. Slide the **cable boot** back down over the **cable adjustment bracket**.
7. Install the "Z" hook to the **auger drive lever** (Figure 6).
8. To check the adjustment, start the snow thrower. Make sure the auger does not rotate when the **auger drive lever** is released. Engage the **auger drive lever** and make sure auger rotates. If the auger does not rotate, repeat this "Adjust Auger Control Cable" procedure.

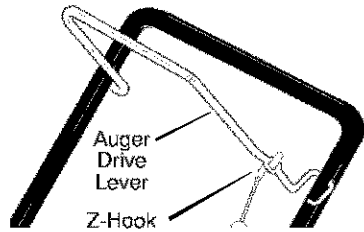


Figure 6

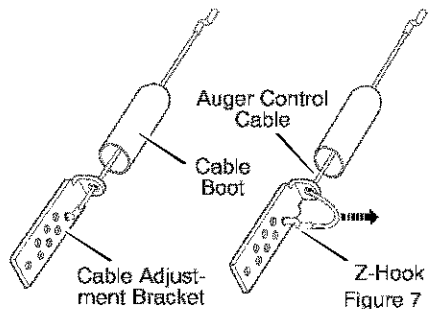


Figure 7

## SERVICE AND ADJUSTMENT

### HOW TO REMOVE THE TOP COVER

1. Remove the **discharge chute**.
2. Remove the **fuel cap**.
3. Remove the two **bolts and nuts (A)** from the front of the **top cover**.
4. Remove the two **bolts (B)** from the left and right side of the **top cover**.
5. Remove the eight **screws (C)** on the left and right side of the **top cover**.
6. Remove the three **screws (D)** from the top portion of the **control panel**.
7. Carefully pull the rear of the **top cover** up and over the **gas tank**.
8. To install the **top cover**, reverse the above steps.

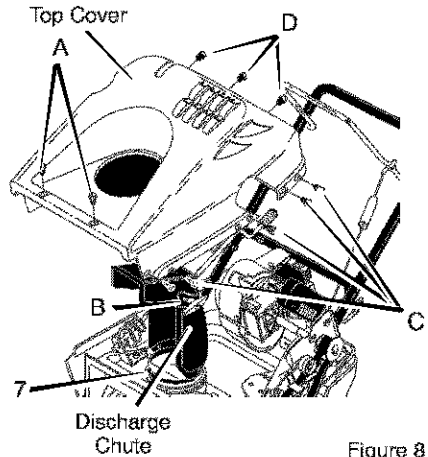


Figure 8

### HOW TO REMOVE THE BELT COVER

1. If equipped, remove the **heat shield** from the rear of the **belt cover**.
2. Remove the **bolts and nuts (A)** that hold the **belt cover** to the **auger housing**.
3. If the top cover has not been removed, then remove the **screws (B)** that attach the **belt cover** to the **top cover**.
4. Remove **screw (C)** that holds the **belt cover** to the **bottom cover**.
5. To remove, hold the bottom portion of the **belt cover** and pull down and out.
6. To install the **belt cover**, reverse the above steps.

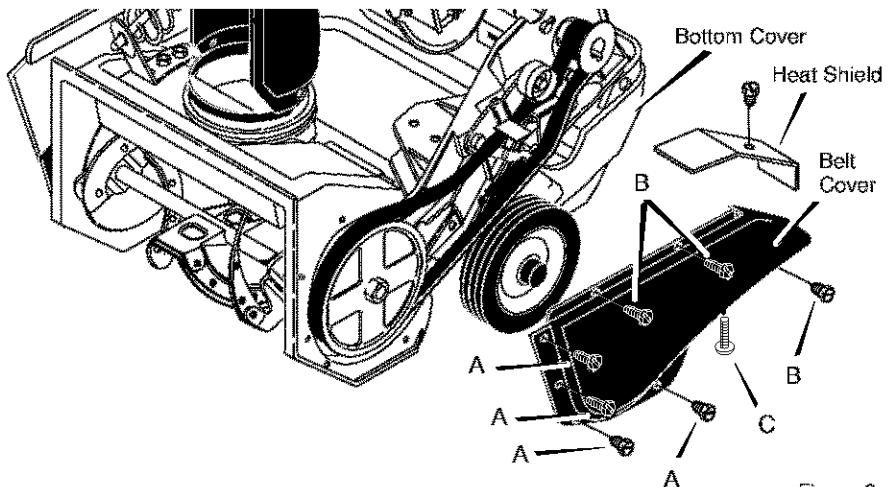


Figure 9

## SERVICE AND ADJUSTMENT

### HOW TO REPLACE THE DRIVE BELT

The drive belt is of special construction and must be replaced with original factory replacement belt available from your nearest Sears service center.

1. Remove the belt cover. See "How To Remove The Belt Cover".
2. Remove the **drive belt** from the **idler pulley** (Figure 10).
3. Move the **belt guide** away from the belt.
4. To reduce pressure on the drive belt, move the idler pulley away from the belt. Remove the drive belt from between the brake pad and the roller.
5. Remove the old **drive belt**.
6. To install the new **drive belt**, reverse the above steps.
7. Make sure the **drive belt** is seated properly on the pulleys.
8. Set the belt guide to  $3/32$ " clearance as shown in Figure 11.

**NOTE:** When the auger control lever is engaged, the belt guide must be  $3/32$ " from the drive belt.

9. Install belt cover. See "How To Remove The Belt Cover".

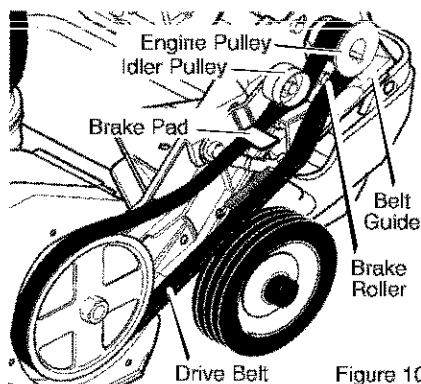


Figure 10

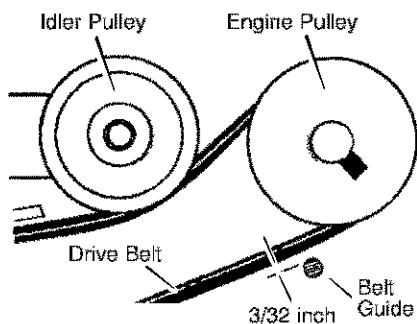


Figure 11

### HOW TO REMOVE THE AUGER

1. Remove the belt cover. See "How To Remove The Belt Cover".
2. Remove the drive belt. See "How To Replace The Drive Belt".
3. Remove the **auger pulley (1)** from the auger shaft (threads are left hand; turn clockwise to remove).
4. To keep the auger from rotating, set a  $2$ "x $4$ " piece of wood on the center paddle to secure auger.
5. Remove the fasteners from the **bearing assembly**. Remove the **bearing assembly** from the **auger housing**.
6. Slide the **auger** out of the bearing assembly on the right side of the snow thrower.

7. Tip the **auger** enough to allow the **auger** to slide out of the **auger housing**.
8. To install **auger**, reverse the above steps.

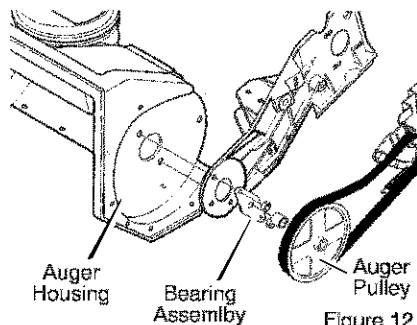


Figure 12

## SERVICE AND ADJUSTMENT



**WARNING:** To prevent accidental starting when making any adjustments or repairs, always disconnect the spark plug wire and place it where it cannot make contact with the spark plug.

### ADJUST THE CHUTE CRANK

If the chute crank will not rotate fully to the left or right, adjust as follows.

1. Remove the top cover. See "How To Remove The Top Cover".
2. Loosen the nuts.
3. Move the crank adjusting bracket to allow 1/8 Inch (3mm) clearance

4. Tighten the nuts.

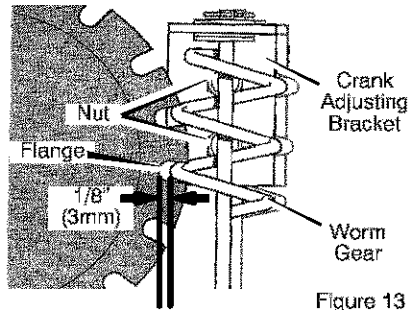


Figure 13

### HOW TO ADJUST THE BRAKE PAD

**IMPORTANT:** An adjustment is only necessary if the brake pad has become loose or has been removed. To adjust, proceed as follows:

1. Remove the top cover. See "How To Remove The Top Cover".
2. Remove the belt cover. See "How To Remove The Belt Cover".

3. Tie the auger drive lever to the handle. This will engage the drive system.
4. Loosen the screw and nut on the brake pad arm (Figure 14).
5. Set the clearance between the brake pad and the drive belt to 1/8 Inch.
6. Tighten the screw and nut on the brake pad arm.

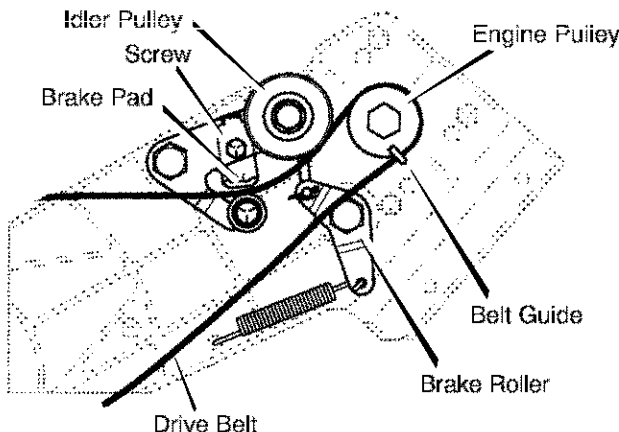


Figure 14

## SERVICE AND ADJUSTMENT

### TO ADJUST THE CARBURETOR

The carburetor is not adjustable. Engine performance should not be affected at altitudes up to 7,000 feet. For operation at higher elevations, contact your nearest Sears Service Center.

**IMPORTANT:** Never tamper with the engine governor, which is factory set for

proper engine speed. Over-speeding the engine above the factory high speed setting can be dangerous. If the engine-governed high speed needs an adjustment, contact your nearest Sears Service Center. They have the proper equipment and experience to make any necessary adjustments.

### TO ADJUST OR REPLACE THE SPARK PLUG

Check the **spark plug** every twenty-five (25) hours. Replace the **spark plug** if the electrodes are pitted or burned or if the porcelain is cracked.

The spark plug is housed in the engine compartment under the top cover and cannot be seen under normal conditions.

1. Open the spark plug **access door** on the control panel (Figure 15).
2. The spark plug and wire are now visible.
3. Remove the spark plug wire.
4. Clean the area around the spark plug base to prevent dirt from entering the engine when the spark plug is removed.
5. Remove the spark plug.
6. Check the spark plug. If the spark plug is cracked, fouled or dirty, it must be replaced.
7. Set the gap between the electrodes of the new spark plug at .030 inch (Figure 16).

8. Install the spark plug in the cylinder head and firmly tighten.

Access Door



Figure 15

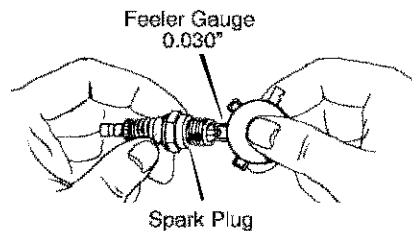


Figure 16

## STORAGE



**WARNING:** Never store your snow thrower indoors or in an enclosed, poorly ventilated area. If gasoline remains in the tank, fumes may reach an open flame, spark or pilot light from a furnace, water heater, clothes dryer, cigarette, etc.

**NOTE:** To prevent engine damage (if snow thrower is not used for more than 30 days) follow the steps below.

### SNOW THROWER

1. Thoroughly clean the snow thrower.
2. Lubricate all lubrication points. See the **Maintenance** section.
3. Be sure that all nuts, bolts and screws are securely fastened. Inspect all visible moving parts for damage, breakage and wear. Replace if necessary.
4. Touch up all rusted or chipped paint surfaces; sand lightly before painting.
5. Cover the bare metal parts of the blower housing auger and the impeller with rust preventative, such as a spray lubricant.

**NOTE:** A yearly checkup or tune-up by a Sears service center is a good way of ensuring that your snow thrower will provide maximum performance for the next season.

### ENGINE



**WARNING:** Drain the gasoline outdoors, away from fire or flame.

Gasoline must be removed or treated to prevent gum deposits from forming in the fuel tank, filter, hose, and carburetor during storage. Also, during storage alcohol blended gasoline that uses ethanol or methanol (sometimes called gasohol) attracts water. It acts on the gasoline to form acids which damage the engine.

F-031021C

1. To remove gasoline, run the engine until the fuel tank is empty and the engine stops.
2. If you do not remove the gasoline, use fuel stabilizer supplied with unit or purchase Craftsman Fuel Stabilizer No. 3550. Add fuel stabilizer to any gasoline left in the tank to minimize gum deposits and acids. If the fuel tank is almost empty, mix stabilizer with fresh gasoline in a separate container and add some to the fuel tank.
3. Always follow the instruction on the stabilizer container. After the stabilizer is added to the fuel tank, run the engine at least ten minutes to allow the mixture to reach the carburetor.
4. Change the engine oil.
5. Lubricate the piston/cylinder area as follows: First, remove the spark plug and squirt a few drops of clean engine oil into the spark plug hole. Next, cover the spark plug hole with a rag to absorb oil spray. Then, pull two or three times on the recoil starter rope to rotate the engine. Finally, install the spark plug and attach the spark plug wire.

### OTHER

1. If possible, store your snow thrower indoors and cover it to give protection from dust and dirt.
2. If the snow thrower must be stored outdoors, put the snow thrower on blocks to raise it off of the ground.
3. Cover the snow thrower with a suitable protective cover that does not retain moisture. Do not use plastic.

**IMPORTANT:** Never cover snow thrower while engine and exhaust areas are still warm.

## TROUBLESHOOTING

TROUBLE	CAUSE	CORRECTION
<b>Difficult starting</b>	Defective spark plug.	Replace spark plug.
	Water or dirt in fuel system.	Drain and clean the fuel tank. Refill with fresh fuel mixture.
<b>Engine runs erratically</b>	Blocked fuel line, empty gas tank, or stale fuel mixture.	Clean fuel line; check fuel supply; add fresh fuel mixture.
<b>Engine stalls</b>	Unit running on CHOKE.	Set choke lever to run or off position.
<b>Engine runs erratically; Loss of power</b>	Water or dirt in fuel system.	Drain and clean the fuel tank. Refill with fresh fuel mixture.
<b>Excessive vibration</b>	Damaged auger assembly	Repair or replace the auger assembly.
	Loose parts. Damaged impeller.	Immediately stop engine. Remove ignition key. Tighten all fasteners and make all necessary repairs. If vibration continues, take the unit to a Sears service center.
<b>Unit fails to propel itself</b>	Drive belt loose or damaged.	Replace drive belt.
	Incorrect adjustment of auger drive cable	Adjust auger drive cable.
<b>Unit fails to discharge snow</b>	Auger drive belt loose or damaged.	Adjust auger drive belt; replace if damaged.
	Auger control cable not adjusted correctly.	Adjust auger control cable.
	Discharge chute clogged.	Stop engine immediately and disconnect spark plug wire. Clean discharge chute and inside of auger housing.
	Foreign object lodged in auger	Stop engine immediately and disconnect spark plug wire. Remove object from auger.

# SEARS, ROEBUCK AND CO.

## Federal and California Emission Control Systems Limited Warranty Small Off-Road Engines

### CALIFORNIA & US EPA EMISSION CONTROL WARRANTY STATEMENT

The U. S. Environmental Protection Agency ("EPA"), the California Air Resources Board ("CARB") and Sears, Roebuck and Co. are pleased to explain the Federal and California Emission Control Systems Warranty on your new small off-road engine. In California, new 1995 and later small off-road engines must be designed, built and equipped to meet the State's stringent anti-smog standards. In other states, new 1997 and later model year engines must be designed, built and equipped, at the time of sale, to meet the U.S. EPA regulations for small non-road engines. Sears, Roebuck and Co. will warrant the emission control system on your small off-road engine for the periods of time listed below, provided there has been no abuse, neglect, unapproved modification, or improper maintenance of your small off-road engine.

Your emission control system may include parts such as the carburetor, ignition system and exhaust system. Also included may be the compression release system and other emission-related assemblies.

Where a warrantable condition exists, Sears, Roebuck and Co. will repair your small off-road engine at no cost to you for diagnosis, parts and labor.

### MANUFACTURER'S EMISSION CONTROL SYSTEM WARRANTY COVERAGE

Emission control systems on 1995 and later model year California small off-road engines are warranted for two years as hereinafter noted. In other states, 1997 and later model year engines are also warranted for two years. If, during such warranty period, any emission-related part on your engine is defective in materials or workmanship, the part will be repaired or replaced by Sears, Roebuck and Co.

### OWNER'S WARRANTY RESPONSIBILITIES

As the small off-road engine owner, you are responsible for the performance of the re-

quired maintenance listed in your Owner's Manual, but Sears, Roebuck and Co. will not deny warranty solely due to the lack of receipts or for your failure to provide written evidence of the performance of all scheduled maintenance.

As the small off-road engine owner, you should, however, be aware that Sears, Roebuck and Co. may deny you warranty coverage if your small off-road engine or a part thereof has failed due to abuse, neglect, improper maintenance or unapproved modifications.

You are responsible for presenting your small off-road engine to a Sears, Roebuck and Co. Authorized Service Outlet as soon as a problem exists. The warranty repairs should be completed in a reasonable amount of time, not to exceed 30 days.

Warranty service can be arranged by contacting either a Sears, Roebuck and Co. Authorized Service Outlet, or by contacting Sears, Roebuck and Co. at 1-800-473-7247.

### IMPORTANT NOTE

This warranty statement explains your rights and obligations under the Emission Control System Warranty ("ECS Warranty") which is provided to you by Sears, Roebuck and Co. pursuant to California law. See also the Sears, Roebuck and Co. Limited Warranties for Sears, Roebuck and Co. which is enclosed therewith on a separate sheet and also is provided to you by Sears, Roebuck and Co. The ECS Warranty applies only to the emission control system of your new engine. To the extent that there is any conflict in terms between the ECS Warranty and the Sears, Roebuck and Co. Warranty, the ECS Warranty shall apply except in any circumstances in which the Sears, Roebuck and Co. Warranty may provide a longer warranty period. Both the ECS Warranty and the Sears, Roebuck and Co. Warranty describe important rights and obligations with respect to your new engine.

Warranty service can only be performed by a Sears, Roebuck and Co. Authorized Service Outlet. At the time of requesting warranty service, evidence must be presented of the date of sale to the original purchaser. The purchas-

er shall pay any charges for making service calls and/or for transporting the products to and from the place where the inspection and/or warranty work is performed. The purchaser shall be responsible for any damage or loss incurred in connection with the transportation of any engine or any part(s) thereof submitted for inspection and/or warranty work.

If you have any questions regarding your warranty rights and responsibilities, you should contact Sears, Roebuck and Co. at 1-800-473-7247.

## EMISSION CONTROL SYSTEM WARRANTY

Emission Control System Warranty ("ECS Warranty") for 1995 and later model year California small off-road engines (for other states, 1997 and later model year engines):

**A. APPLICABILITY:** This warranty shall apply to 1995 and later model year California small off-road engines (for other states, 1997 and later model year engines). The ECS Warranty Period shall begin on the date the new engine or equipment is delivered to its original, end-use purchaser, and shall continue for 24 consecutive months thereafter.

**B. GENERAL EMISSIONS WARRANTY COVERAGE:** Sears, Roebuck and Co. warrants to the original, end-use purchaser of the new engine or equipment and to each subsequent purchaser that each of its small off-road engines is:

1. Designed, built and equipped so as to conform with all applicable regulations adopted by the Air Resources Board pursuant to its authority in Chapters 1 and 2, Part 5, Division 26 of the Health and Safety Code, and

2. Free from defects in materials and workmanship which, at any time during the ECS Warranty Period, will cause a warranted emissions-related part to fail to be identical in all material respects to the part as described in the engine manufacturer's application for certification.

C. The ECS Warranty only pertains to emissions-related parts on your engine, as follows:

1. Any warranted, emissions-related parts which are not scheduled for replacement as required maintenance in the Owner's Manual shall be warranted for the ECS Warranty Period. If any such part fails during the ECS Warranty Period, it shall be repaired or replaced by F-031021C

Sears, Roebuck and Co. according to Subsection 4 below. Any such part repaired or replaced under the ECS Warranty shall be warranted for any remainder of the ECS Warranty Period.

2. Any warranted, emissions-related part which is scheduled only for regular inspection as specified in the Owner's Manual shall be warranted for the ECS Warranty Period. A statement in such written instructions to the effect of "repair or replace as necessary", shall not reduce the ECS Warranty Period. Any such part repaired or replaced under the ECS Warranty shall be warranted for the remainder of the ECS Warranty Period.

3. Any warranted, emissions-related part which is scheduled for replacement as required maintenance in the Owner's Manual, shall be warranted for the period of time prior to the first scheduled replacement point for that part. If the part fails prior to the first scheduled replacement, the part shall be repaired or replaced by Sears, Roebuck and Co. according to Subsection 4 below. Any such emissions-related part repaired or replaced under the ECS Warranty, shall be warranted for the remainder of the ECS Warranty Period prior to the first scheduled replacement point for such emissions-related part.

4. Repair or replacement of any warranted, emissions-related part under this ECS Warranty shall be performed at no charge to the owner at a Sears, Roebuck and Co. Authorized Service Outlet.

5. The owner shall not be charged for diagnostic labor which leads to the determination that a part covered by the ECS Warranty is in fact defective, provided that such diagnostic work is performed at a Sears, Roebuck and Co. Authorized Service Outlet.

6. Sears, Roebuck and Co. shall be liable for damages to other original engine components or approved modifications proximately caused by a failure under warranty of an emission-related part covered by the ECS Warranty.

7. Throughout the ECS Warranty Period, Sears, Roebuck and Co. shall maintain a supply of warranted emission-related parts sufficient to meet the expected demand for such emission-related parts.

8. Any Sears, Roebuck and Co. authorized and approved emission-related replacement part may be used in the performance of any ECS Warranty maintenance or repair and will be provided without charge to the owner. Such

use shall not reduce Sears, Roebuck and Co. ECS Warranty obligations.

9. Unapproved add-on or modified parts may not be used to modify or repair a Sears, Roebuck and Co. engine. Such use voids this ECS Warranty and shall be sufficient grounds for disallowing an ECS Warranty claim. Sears, Roebuck and Co. shall not be liable hereunder for failures of any warranted parts of a Sears, Roebuck and Co. engine caused by the use of such an unapproved add-on or modified part.

## **EMISSION-RELATED PARTS INCLUDE THE FOLLOWING:**

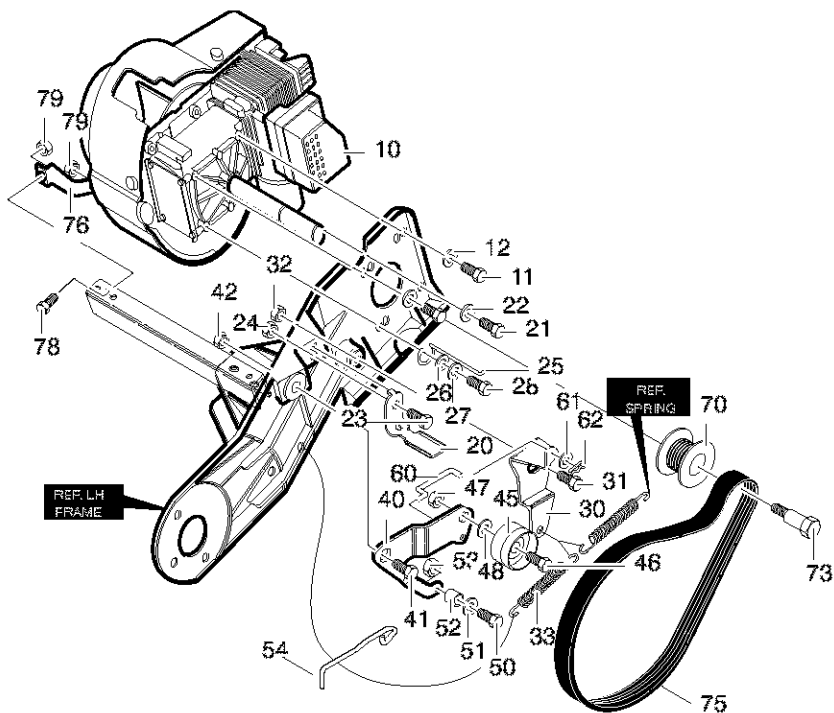
1. Carburetor Assembly and its Internal Components
  - a) Fuel filter
  - b) Carburetor gaskets
  - c) Intake pipe
2. Air Cleaner Assembly
  - a) Air filter element
3. Ignition System, including:
  - a) Spark plug
  - b) Ignition module
  - c) Flywheel assembly
4. Catalytic Muffler (if so equipped)
  - a) Muffler gasket (if so equipped)
  - b) Exhaust manifold (if so equipped)
5. Crankcase Breather Assembly and its Components
  - a) Breather connection tube

10/22/99 EPA/CARB

**Sears, Roebuck and Co., Hoffman Estates, IL 60179 U.S.A.**

# CRAFTSMAN 21" 5HP SNOW THROWER 536.885214

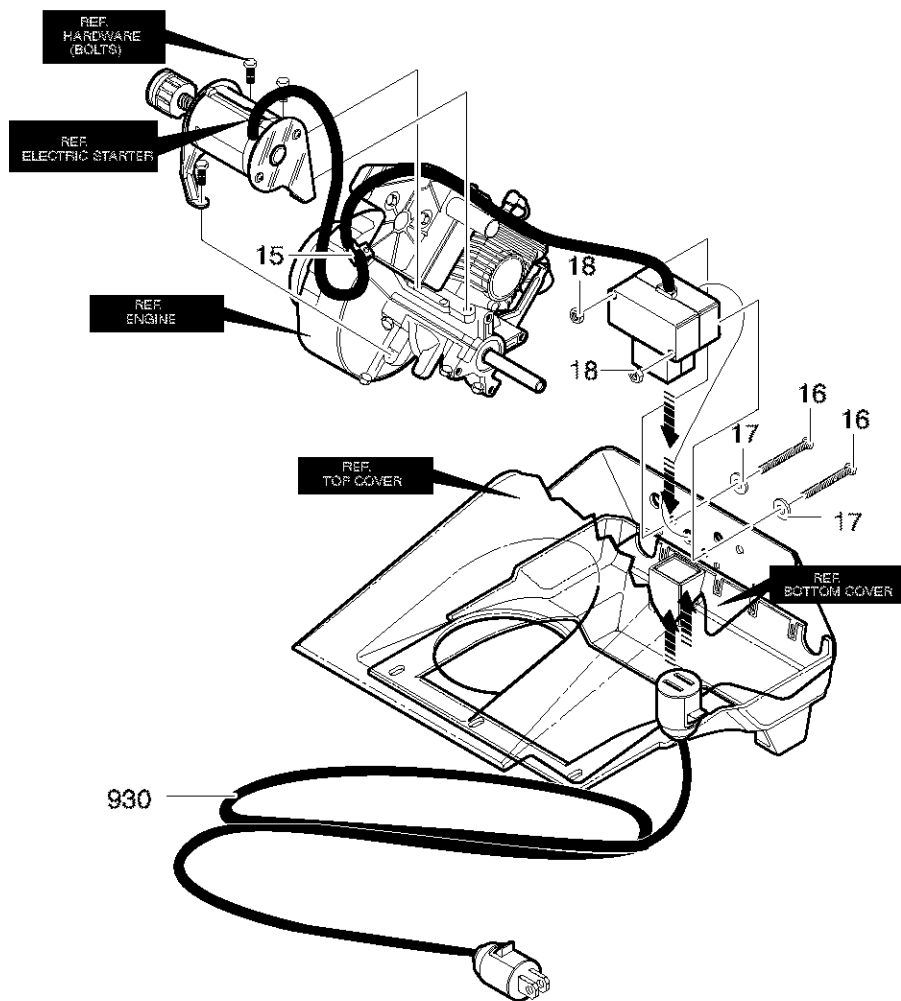
## ENGINE DRIVE ASSEMBLY



KEY NO.	PART NO.	DESCRIPTION	KEY NO.	PART NO.	DESCRIPTION
10	-----	ENGINE	45	48924	PULLEY, IDLER
11	180077	SCREW	46	302637	SCREW
12	71060	WASHER	47	590	NUT
20	333970	LF PAD, BRAKE	48	301188	WASHER, FLAT
21	180077	SCREW	50	180044	SCREW, 1/4-20X2.00
22	71060	WASHER	51	71067	WASHER, FLAT
23	579052	SCREW, 1/4-20X.63	52	1501010	ROLLER, PINCH
24	73826	NUT, 1/4-20	53	73826	NUT, 1/4-20
25	334079	GUIDE, BELT	54	1501009	WIRE, BRAKE
26	71071	WASHER, FLAT	60	313436	ROD, CLUTCH
27	71060	WASHER	61	414106	WASHER, FLAT
28	710312	SCREW	62	121223	PIN, COTTER
30	313444	ARM, IDLER	70	333784	PULLEY
31	333594	BOLT	73	333805	BOLT, SHOULDER
32	71391	NUT, 5/16-18	75	37x130	BELT
33	313473	SPRING, EXTENSION	76	330544	BRACKET, SUPPORT
40	320077	LF ARM, IDLER	78	48901	SCREW
41	333594	BOLT	79	71391	NUT, 5/16-18
42	71391	NUT, 5/16-18	--	F-031021C	BOOK, INSTRUCTION

# CRAFTSMAN 21" 5HP SNOW THROWER 536.885214

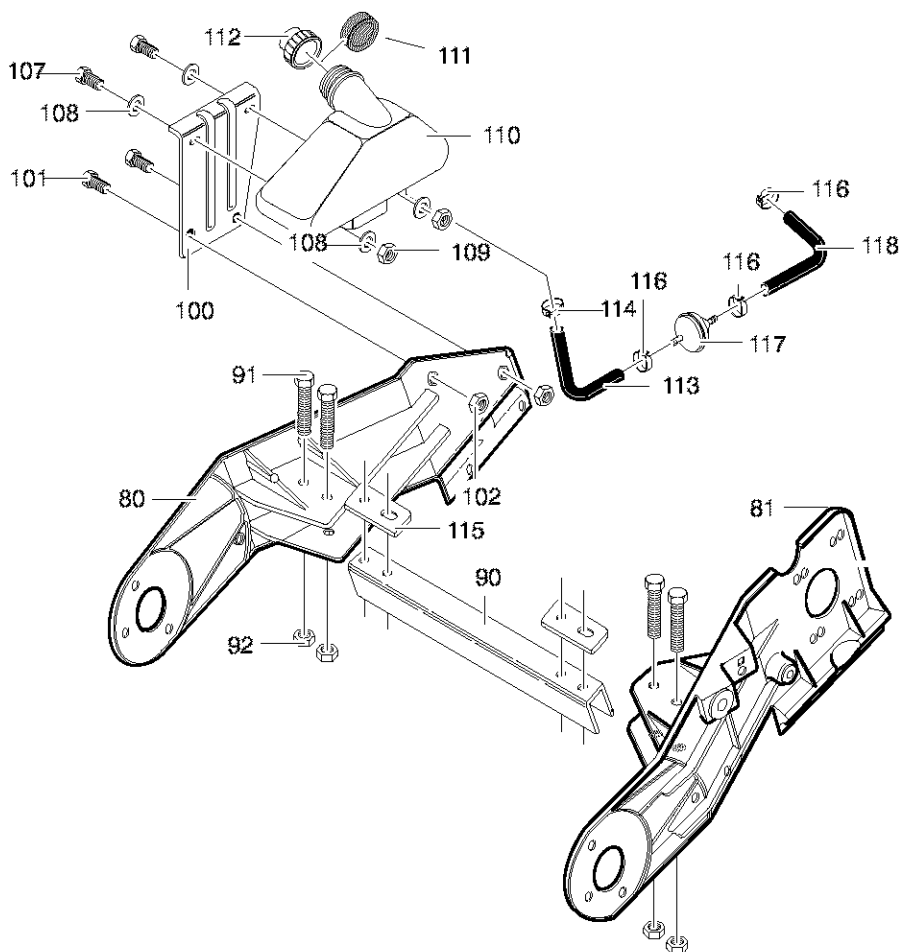
## ELECTRIC START ASSEMBLY



Key No.	Part No.	Description
15	57569	RETAINER
16	311633	SCREW
17	414106	WASHER, FLAT
18	271163	NUT, KEPS
930	56023	CORD, EXTENSION

# CRAFTSMAN 21" 5HP SNOW THROWER 536.885214

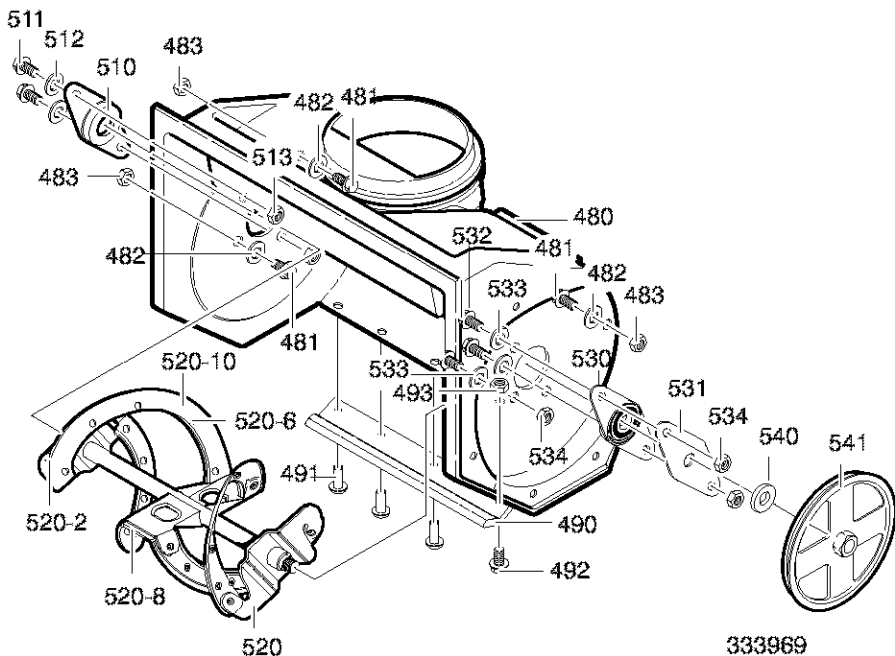
## FRAME ASSEMBLY



KEY NO.	PART NO.	DESCRIPTION	KEY NO.	PART NO.	DESCRIPTION
80	333769E701	FRAME, RIGHT SIDE	109	73826	NUT, 1/4-20
81	333767	FRAME, LEFT SIDE	110	333739	TANK, FUEL 1.5QT
90	333987	CHANNEL, FRAME	111	762224	RING, FUEL TANK
91	180044	SCREW, 1/4-20X2.00	112	340300	CAP, FUEL
92	73826	NUT, 1/4-20	113	323363	TUBING
100	333749E701	BRKT, FUEL TANK	114	47345	CLAMP, HOSE
101	302628	SCREW, 1/4-20X .75	115	335351	PLATE, SUPPORT
102	73826	NUT, 1/4-20	116	323387	CLAMP, HOSE
107	302628	SCREW, 1/4-20X .75	117	56679	FILTER, IN-LINE
108	71067	WASHER, FLAT	118	335906	TUBING

# CRAFTSMAN 21" 5HP SNOW THROWER 536.885214

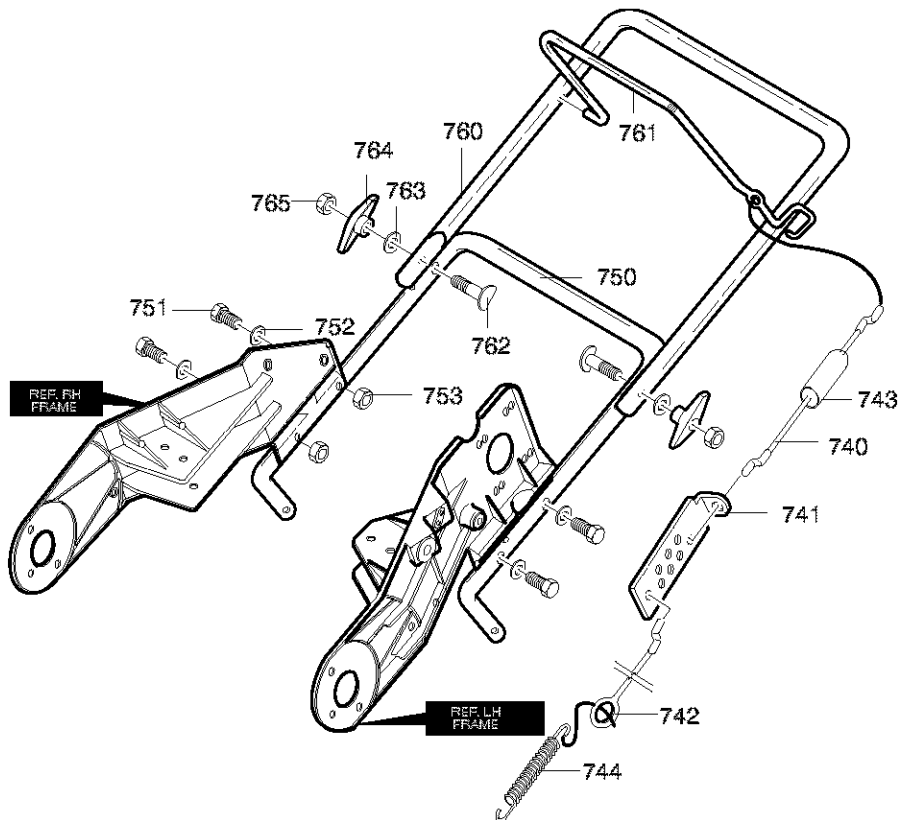
## AUGER ASSEMBLY



KEY NO.	PART NO.	DESCRIPTION	KEY NO.	PART NO.	DESCRIPTION
480	340091	HOUSING, AUGER	520	327072	AUGER, ASSY
481	302628	SCREW, 1/4-20X .75	520-2	302565	BLADE, AUGER
482	71067	WASHER, FLAT	520-6	49838	RIVET
483	73826	NUT, 1/4-20	520-8	335992	BLADE, CENTER
490	55323	BLADE, SCRAPER	520-10	307049E701	AUGER BLD ASSY
491	577707	RIVET	530	583459	BEARING & PLATE
492	302628	SCREW, 1/4-20X .75	531	334287	PLATE, BEARING
493	302635	NUT, 1/4-20	532	579052	SCREW
510	577023	BRNG, IDX1.25	533	71067	WASHER, FLAT
511	710263	SCREW, 1/4-20X1.00	534	73826	NUT, 1/4-20
512	71067	WASHER, FLAT	540	578101	SPACER
513	302635	NUT, 1/4-20	541	333446	PULLEY

# CRAFTSMAN 21" 5HP SNOW THROWER 536.885214

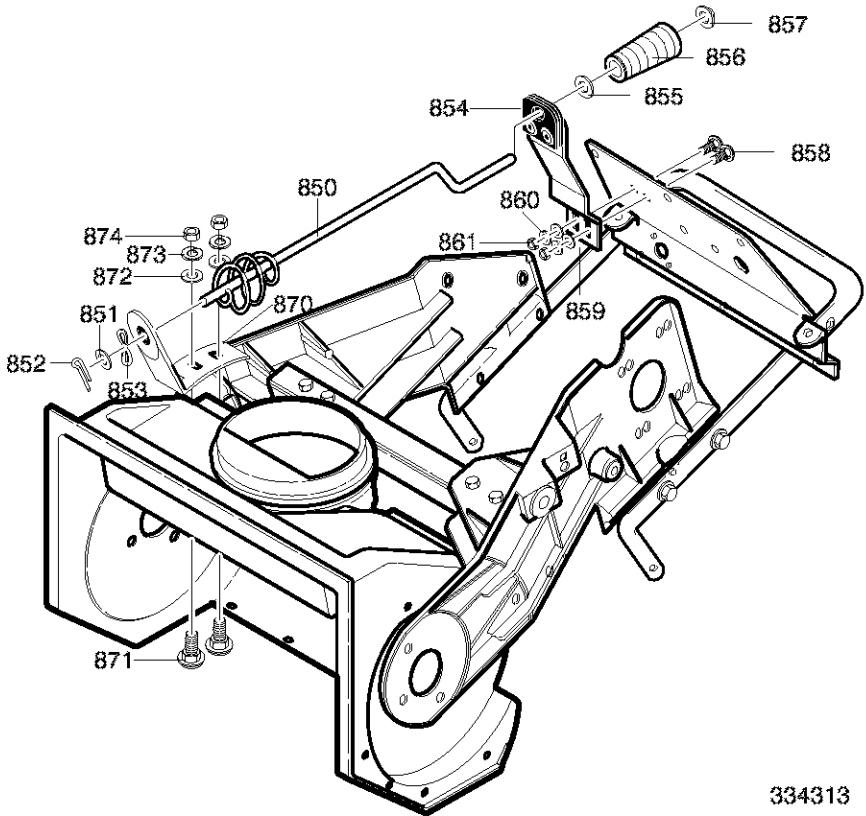
## HANDLE ASSEMBLY



Key No.	Part No.	Description
740	313449	CABLE, UPPER CONTROL
741	313441	LF BRKT, CABLE ADJ
742	313448	CABLE, LOWER CONTROL
743	308146	BOOT, CLUTCH SPRING
744	313471	SPRING, EXTENSION
750	333909E701	HANDLE, LOWER
751	313674	SCREW, 1/4-20X1.25
752	71067	WASHER, FLAT.
753	73826	NUT, 1/4-20
760	333919E701	HANDLE, UPPER
761	313308E701	BAIL, CONTROL
762	337584	BOLT, 5/16-18X2.00
763	311936	WASHER, FORM
764	57171	KNOB, T 3.00 WD PLAS BLA
765	71037	NUT, 5/16-18 REGHEX

# CRAFTSMAN 21" 5HP SNOW THROWER 536.885214

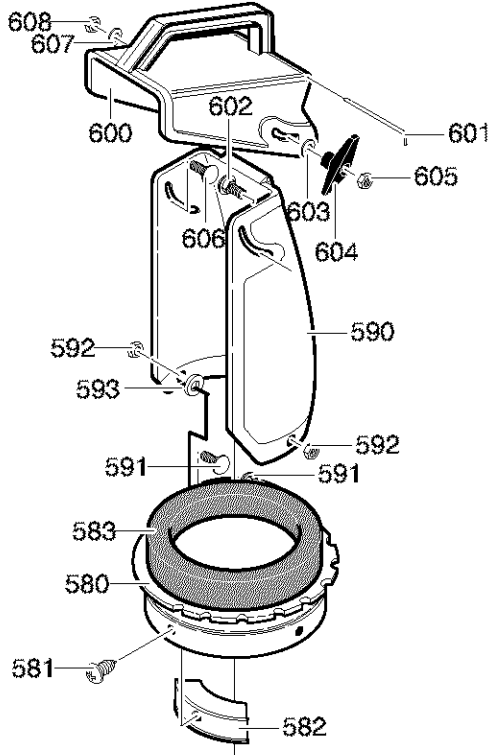
## CHUTE ROD ASSEMBLY



334313

Key No.	Part No.	Description
850	337941	LF ROD, CHUTE
851	71072	WASHER, FLAT
852	71082	PIN, COTTER
853	313431	WASHER, CURVED SPRING
854	335264	SF ASSY, CHUTE CRANK BRKT
855	71072	WASHER, FLAT
856	57082	KNOB, SLEEVE
857	331532	NUT, PUSH, FITS 3/8 DIA
858	3809	BOLT, CARRIAGE
859	71071	WASHER, FLAT
860	71060	WASHER
861	71034	NUT, 1/4-20
870	333946E701	MP BRACKET, CHUTE ROTATE
871	340720	BOLT
872	71071	WASHER, FLAT
873	71060	WASHER
874	71037	NUT, 5/16-18

**CRAFTSMAN 21" 5HP SNOW THROWER 536.885214  
DISCHARGE CHUTE ASSEMBLY**

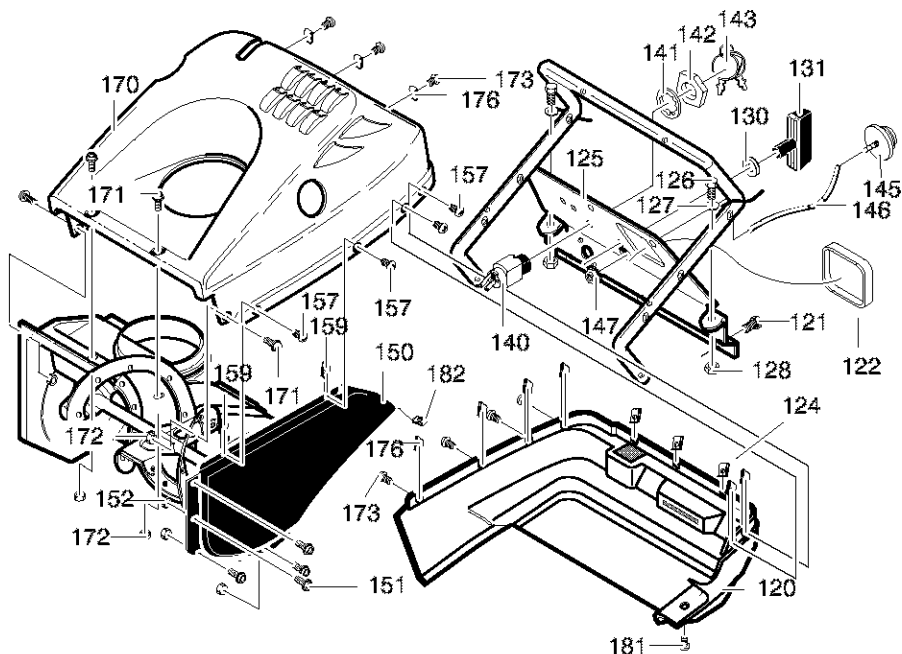


Key No.	Part No.	Description
580	333859	RING, CHUTE
581	711752	SCREW
582	577021	GUIDE, CHUTE
583	762173	DONUT, FOAM
590	305862	CHUTE, LOWER
591	302628	SCREW, 1/4-20X .75
592	302635	NUT, 1/4-20
593	71067	WASHER, FLAT
600	305861	CHUTE, UPPER WITH HANDLE
601	310562	WIRE
602	302843	BOLT, 5/16-18X1.25
603	71071	WASHER, FLAT
604	57171	T-KNOB
605	71037	NUT, 5/16-18
606	578088	SCREW, 5/16-18
607	71071	WASHER, FLAT
608	71391	NUT, 5/16-18



# CRAFTSMAN 21" 5HP SNOW THROWER 536.885214

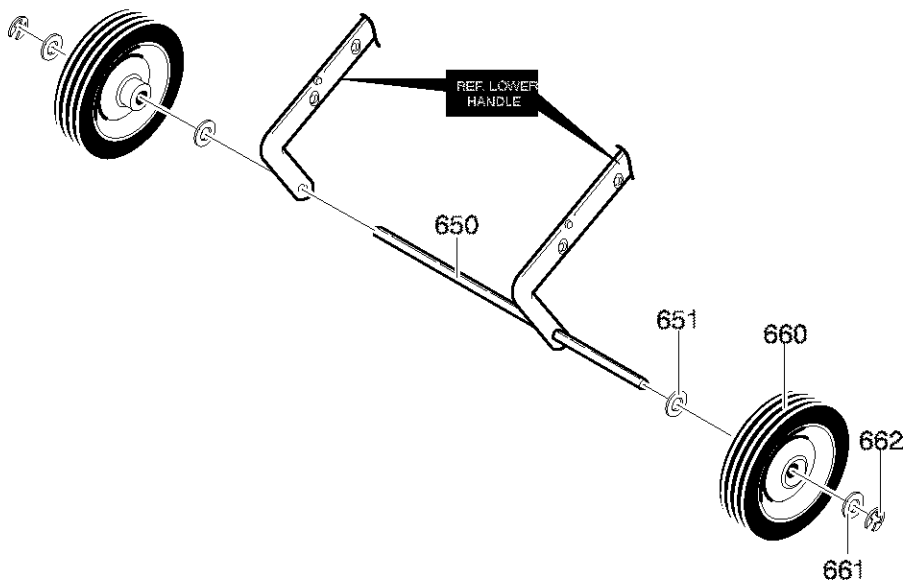
## TOP COVER ASSEMBLY



KEY NO.	PART NO.	DESCRIPTION	KEY NO.	PART NO.	DESCRIPTION
120	340097	COVER, BOTTOM	146	335507	HOSE, PRIMER
121	313685	SCREW, 1/4-14X .75	147	271172	NUT, 1/4-20
122	761538	PANEL, ACCESS	150	340099	COVER, BELT
124	578109	NUT, 1/4-10 SPEED	151	12342	SCREW, 10-24X .50
125	761539E701	PANEL, CONTROL	152	312300	NUT, #10-24
126	313674	SCREW, 1/4-20X1.25	157	313685	SCREW, 1/4-14X .75
127	71067	WASHER, FLAT	159	578109	NUT, 1/4-10 SPEED
128	73826	NUT, 1/4-20	170	1501142	COVER, TOP
130	57587	GROMMET	171	12342	SCREW, 10-24X .50
131	333643	KNOB, STAND TEE	172	312300	NUT, #10-24
140	56992	SWITCH, IGNITION	173	313685	SCREW, 1/4-14X .75
141	313683	WASHER	176	578109	NUT, 1/4-10 SPEED
142	300193	NUT, 5/8-32	181	313685	SCREW, 1/4-14X .75
143	49643	2 KEYS & RING	182	578109	NUT, 1/4-10 SPEED
145	54601	PRIMER BULB,			

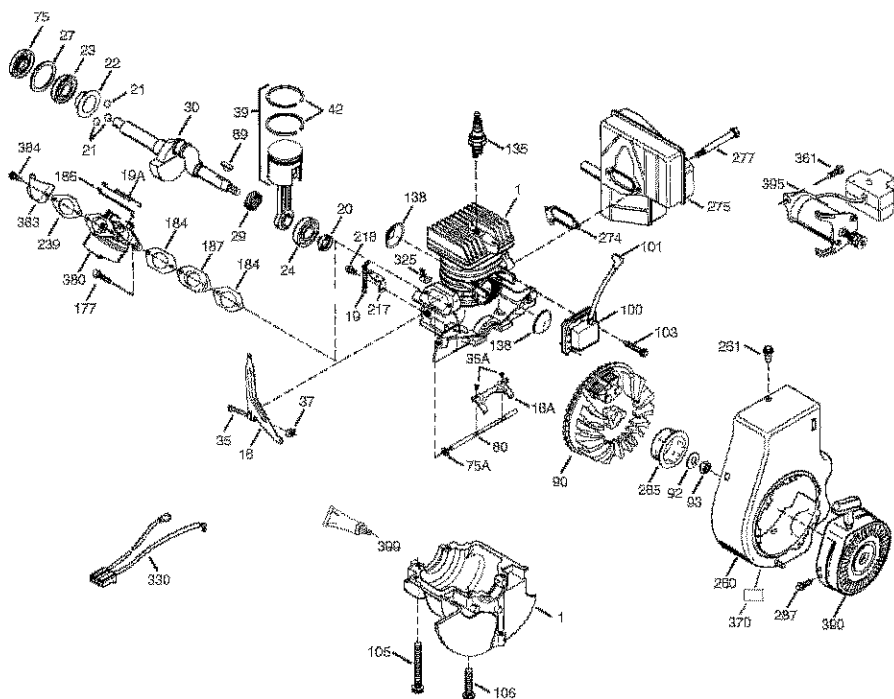
# CRAFTSMAN 21" 5HP SNOW THROWER 536.885214

## WHEEL ASSEMBLY



Key No.	Part No.	Description
650	313678	AXLE
651	583409	WASHER, FLAT
660	760713	TIRE & RIM
661	583409	WASHER, FLAT
662	577598	RING, RETAINER

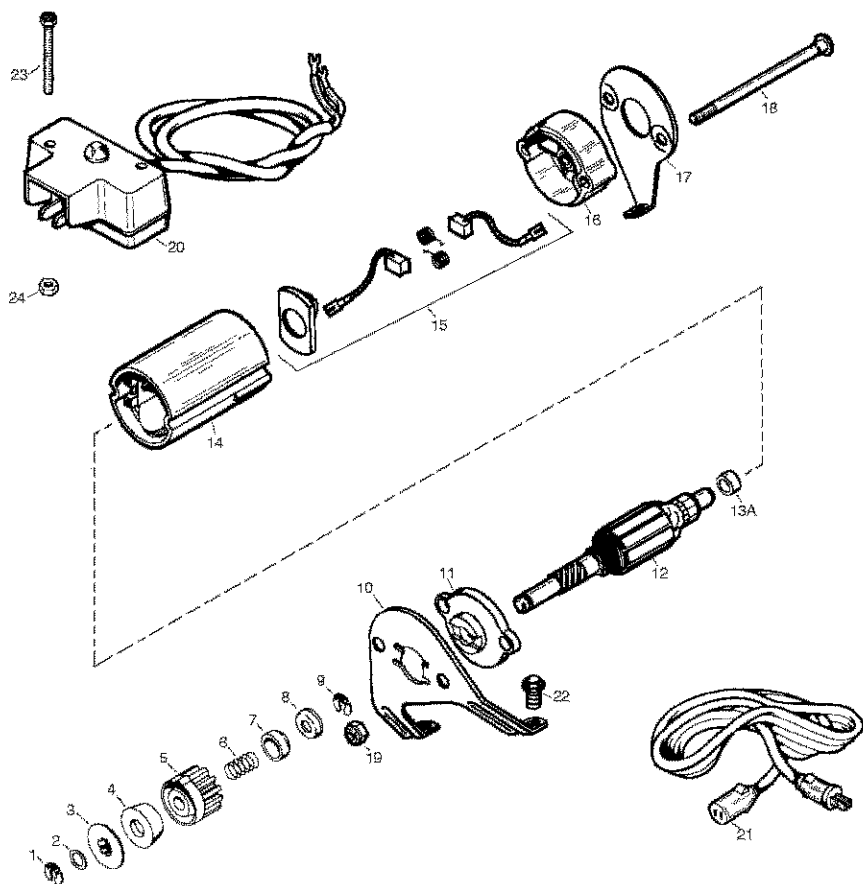
# CRAFTSMAN 2-CYCLE ENGINE MODEL 143.045071



## CRAFTSMAN 2-CYCLE ENGINE MODEL 143.045071

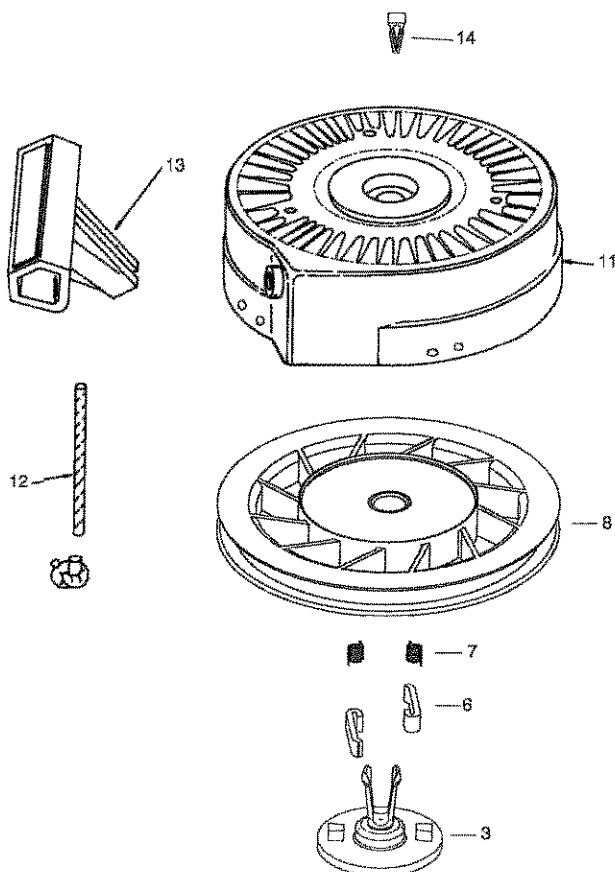
KEY NO.	PART NO.	DESCRIPTION	KEY NO.	PART NO.	DESCRIPTION
		RPM High 3700 to 4000	106	650891	Screw, 5/16-18 x 1-5/8"
1	250296A	Cylinder Ass'y. (Incl. 75A, 105, 106, 138)	135	611049	Resistor Spark Plug (RCJ8Y)
16	490317	Governor Lever	138	570683	Port Cover
16A	490304	Governor Lever	177	650959	Screw, 5/32 Allen
19	570721	Extension Spring	184	510326A	Carburetor Gasket
19A	490318	Throttle Link Spring	186	490319	Governor Link
20	510340	Oil Seal	187	570438A	Spacer
21	570673	Ball Bearing	217	570667A	Control Lever
22	510338	Slide Ring	218	650847	Screw, 8-32 x 1/2"
23	530158	Ball Bearing	239	35815	Air Cleaner Gasket
24	530161	Ball Bearing	260	350460	Blower Housing
27	530159	Bearing Retainer	261	650894	Screw, 5/16-18 x 5/8"
29	530164	Bearing Strip (31 Needles)	274	510343A	Exhaust Gasket
30	290627	Crankshaft	275	390325	Muffler
35	29826	Screw, 10-32 x 3/4"	277	650893	Screw, 5/16-18 x 3-13/64"
35A	650506	Screw, 4-40 x 1/4"	285	34449A	Starter Cup
37	29216	Lock Nut, 10-32	287	650926	Screw, 8-32 x 21/64"
39	310279B	Piston & Rod Ass'y. (Incl. 29 & 42)	325	29443	Wire Clip
42	310278	Ring Set	330	611158	Wire Harness
75	510339	Oil Seal	361	30063	Screw, T-30, 1/4-20 x 1/2"
75A	510337	Oil Seal	370	36261	Instruction Decal
80	490305	Governor Shaft	380	640342	Carburetor (Incl. 184)
89	611191	Flywheel Key	383	570695	Carburetor Baffle
90	611192	Flywheel	384	650229	Screw, T-25, 10-32 x 3/8"
92	650815	Belleville Washer	390	590743	Rewind Starter
93	650816	Flywheel Nut	395	590670	Electric Starter Motor
100	34443C	Solid State Ignition	399	510334	Gasket Eliminator (Loctite 515)
101	610118	Spark Plug Cover	900	0	Replacement Engine Or- der From 71-999
103	651007	Screw, T-15	900	710496B	Replacement Short Block Order From 71-999
105	650892	Screw, 5/16-18 x 2-3/16"			

# CRAFTSMAN 2-CYCLE ENGINE MODEL 143.045071



KEY NO.	PART NO.	DESCRIPTION	KEY NO.	PART NO.	DESCRIPTION
0	590670	Electric Starter (110 Volt)	13A	590677	Thrust Spacer
1	34952	Retainer Ring	14	590659	Housing Ass'y.
2	590608	Dust Washer	15	590587	Brush & Spring Card
3	34953	Pinion Driver	16	590660	Commutator End Cap
4	590644	Anti-drift Spring	17	590661	Commutator End Bracket
5	34949A	Gear	18	590662	Case Bolt
6	590654	Anti-drift Spring	19	33450	Lock Nut
7	34950	Spring Retainer	20	590663A	Switch Box & Lead Ass'y.
8	34951	Cup Washer	21	32450B	Extension Cord (10'6")
9	34955	Retainer Ring	22	30063	Screw, Torx T-30
10	590674	Drive End Mount Bracket	23	650819	Screw, 6-32 x 2-1/2"
11	590675	Drive End Cap Ass'y.	24	650742	Nut & Washer Ass'y.
12	590676	Armature			

# CRAFTSMAN 2-CYCLE ENGINE MODEL 143.045071



KEY NO.	PART NO.	DESCRIPTION	KEY NO.	PART NO.	DESCRIPTION
0	590743	Rewind Starter	11	590643A	Starter Housing Ass'y
3	590740	Retainer	12	590535	Starter Rope
6	590616	Starter Dog	13	590701	Starter Handle
7	590617	Dog Spring	14	590760	Spring Clip
8	590645A	Pulley & Rewind Spring			





## TABLA DE CONTENIDOS

PIEZAS DE REPUESTO .....	25	OPERACIÓN .....	47
PIEZAS DE REPUESTO (MOTOR) .....	34	MANTENIMIENTO .....	53
GARANTÍA .....	40	SERVICIO Y AJUSTES .....	55
REGLAS DE SEGURIDAD .....	40	ALMACENAMIENTO .....	59
SÍMBOLOS INTERNACIONALES .....	43	PEDIDO DE PIEZAS/SERVICIO .....	64
ENSAMBLAJE .....	45		

## GARANTÍA

### GARANTÍA LIMITADA DE DOS AÑOS PARA EL QUITANIEVES CRAFTSMAN

Durante dos años a partir de la fecha de compra, siempre que a este quitanieves Craftsman se le de mantenimiento, lubricación y afinamiento de acuerdo con las instrucciones de operación y mantenimiento presentadas en el manual del propietario, Sears reparará, sin recargo alguno, cualquier defecto en material y mano de obra.

Si este quitanieves Craftsman es usado para propósitos comerciales o de arrendamiento, esta garantía será válida solamente por 90 días a partir de la fecha de compra.

Esta garantía no cubre lo siguiente:

- Elementos fungibles los cuales se gastan durante el uso normal, tales como bujías, correas de transmisión y pasadores de seguridad.
- Reparaciones necesarias debido al abuso o negligencia del operador, incluyendo eje de cigüeñal doblado, y por no darle el mantenimiento necesario a la unidad según lo recomendado en las instrucciones contenidas en el manual del propietario.

**EL SERVICIO DE GARANTÍA SE PUEDE OBTENER LLEVANDO EL QUITANIEVES AL CENTRO DE SERVICIO SEARS MÁS CERCA EN EUA. ESTA GARANTÍA ES VÁLIDA SÓLO CUANDO ESTE PRODUCTO ES USADO EN LOS ESTADOS UNIDOS.**

Esta garantía le otorga derechos legales específicos, y es posible que tenga otros derechos los cuales varían de estado a estado.

Sears, Roebuck and Co., D817WA, Hoffman Estates, IL 60179

## REGLAS DE SEGURIDAD



**PRESTE ATENCIÓN A ESTE SÍMBOLO, LE INDICA PRECAUCIONES DE SEGURIDAD IMPORTANTES. ESTE SÍMBOLO SIGNIFICA--|||ATENCIÓN!!! |||ESTÉ ALERTA!!! SE TRATA DE SU SEGURIDAD.**



### ADVERTENCIA



Las emanaciones de escape producidas por este motor y ciertos componentes de esta máquina contienen agentes químicos reconocidos por el Estado de California como carcinógenos, también pueden producir defectos en los recién nacidos o causar otros daños al sistema reproductivo.

Los bornes, terminales y accesorios relacionados con la batería, contienen plomo y compuestos de plomo. El Estado de California reconoce que estos compuestos pueden causar cáncer y defectos congénitos, además de otros daños al sistema reproductivo. **DEBE LAVARSE MUY BIEN LAS MANOS DESPUÉS DE MANIPULAR ESTOS COMPONENTES.**



**ADVERTENCIA:** Siempre desconecte el cable de la bujía, y colóquelo alejado de ésta para prevenir un arranque accidental durante la preparación, mantenimiento o almacenamiento del quitanieves

**IMPORTANTE:** Para prevenir lesiones, las normas de seguridad requieren controles en la unidad que sólo puedan ser manejados en presencia del operador. Su quitanieves está equipado con dichos controles. Por ningún motivo intente pasar por alto la función del control en presencia del operador.

## CAPACITACIÓN

1. Lea con atención las instrucciones en el manual de operación y servicio. Familiarícese completamente con los controles y el uso apropiado del quitanieves. Aprenda a detener el quitanieves y a desenganchar rápidamente los controles.
2. Nunca permita a niños operar el quitanieves. Nunca permita que adultos operen el quitanieves sin la instrucción apropiada.
3. Mantenga el área libre de personas, especialmente niños pequeños y mascotas.
4. Tenga mucho cuidado para evitar resbalones o caídas, especialmente cuando esté retrocediendo.

## PREPARACIÓN

1. Inspeccione completamente el área donde se usará el quitanieves y retire todas las esteras, trineos, tableros, cables, y otros objetos extraños.
2. Desenganche todos los embragues antes de hacer arrancar el motor.
3. No opere el quitanieves sin vestir prendas de invierno adecuadas para trabajar a la intemperie. Vista calzado que le dé buena tracción sobre superficies resbalosas.
4. Maneje el combustible con cuidado; éste es altamente inflamable.
  - (a) Use un contenedor aprobado para combustible.
  - (b) Nunca quite la tapa del tanque de combustible ni añada combustible a un motor en marcha o a un motor caliente.
  - (c) Llene el tanque de combustible al aire libre y con mucho cuidado. Nunca llene el tanque en un recinto cerrado.
  - (d) Vuelva a colocar la tapa del tanque de combustible de manera segura, y limpie el combustible derramado.
  - (e) Nunca almacene combustible o el quitanieves con combustible en el tanque dentro de un edificio donde los vapores pudiesen alcanzar alguna llama abierta o chispas.
  - (f) Verifique que el quitanieves tenga suficiente combustible antes de cada uso, y deje un espacio adicional en el tanque puesto que el calor del motor

y/o del sol hace que el combustible se expanda.

5. Para todos los quitanieves con motores de arranque eléctrico, use cables de extensión con certificación CSA/UL. Use solamente tomacorrientes que hayan sido instalados de acuerdo con los reglamentos de inspección locales.
6. Jamás intente efectuar ningún ajuste mientras el motor se encuentra en marcha (excepto cuando el fabricante lo recomienda así específicamente).
7. Permita que el motor y el quitanieves se ajusten a las temperaturas exteriores antes de comenzar a despejar la nieve.
8. Siempre use gafas de seguridad o protectores para los ojos durante la operación o mientras efectúa algún ajuste o reparación a la unidad, para proteger sus ojos de objetos extraños que pudiesen ser lanzados por el quitanieves.

## OPERACIÓN

1. No opere este quitanieves si está tomando medicinas que puedan causar somnolencia o afectar su habilidad para operar el quitanieves.
2. No use el quitanieves si por motivos emocionales o físicos se le dificulta manejarlo de forma segura.
3. No coloque las manos o los pies cerca o debajo de piezas en movimiento. Manténgase en todo momento a buena distancia de la abertura del tubo de descarga.
4. Tenga mucho cuidado al operar el quitanieves en o a través de entradas de autos, senderos o caminos de grava. Manténgase alerta de peligros ocultos o tráfico.
5. Si golpea un objeto extraño, pare el motor, desconecte el cable de la bujía, inspeccione meticulosamente el quitanieves por si hubiera algún daño, y repárelo antes de arrancar el motor y operar el quitanieves nuevamente.
6. Si el quitanieves comienza a vibrar de manera excesiva, pare el motor y revíselo inmediatamente para encontrar la causa. Generalmente, la vibración es una advertencia de algún problema.
7. Pare el motor cuando deje la posición de operación, antes de desobstruir el alojamiento de la barrena/propulsor o el tubo de descarga, y cuando efectúe cualquier reparación, ajuste o inspección.
8. Cuando limpie, repare o inspeccione el quitanieves, asegúrese de que la barre-

na/propulsor y todas las partes móviles se encuentren detenidas, y que todos los controles estén desenganchados. Desconecte el cable de la bujía y manténgalo alejado de la bujía para evitar un arranque accidental.

9. Tome todas las precauciones posibles al dejar el quitanieves desatendido. Desenganche la barrena/propulsor, pare el motor y retire la llave.
10. No haga arrancar el motor en recintos cerrados, excepto para arrancar y para transportar el quitanieves hacia adentro o hacia afuera del recinto. Abra las puertas que dan al exterior; los vapores de escape son peligrosos (contienen MONÓXIDO DE CARBONO, un GAS INODORO y LETAL).
11. No use el quitanieves para limpiar áreas de terreno inclinadas (cuestas, pendientes). Tenga mucho cuidado cuando cambie de dirección. No intente limpiar pendientes muy pronunciadas.
12. Nunca opere el quitanieves sin que los resguardos, placas u otros dispositivos de seguridad se encuentren en su lugar.
13. Nunca opere el quitanieves cerca de escarpates de vidrio, automóviles, vidrieras, sitios de carga/descarga, y similares, sin el ajuste apropiado del ángulo de descarga de la nieve. Mantenga a los niños y las mascotas alejados del área que está despejando.
14. No sobrecargue la capacidad del quitanieves al intentar limpiar la nieve a una velocidad demasiado rápida.
15. Nunca opere el quitanieves a altas velocidades de transporte sobre superficies resbalosas. Mire hacia atrás y tenga cuidado al retroceder.
16. Nunca descargue directamente hacia espectadores ni permita a nadie frente al quitanieves.
17. Desenganche la fuerza motriz de la barrena/propulsor cuando el quitanieves sea transportado o no esté en uso.
18. Utilice únicamente aditamentos y accesorios aprobados por el fabricante del quitanieves (tales como cadenas para las

ruedas, juegos de arranque eléctrico, etc.).

19. Nunca opere el quitanieves sin tener buena visibilidad o iluminación. Asegúrese siempre que tiene buena estabilidad, y sujete con firmeza el mango. Camine; nunca corra.
20. No trate de alcanzar áreas difíciles. Mantenga la estabilidad y el balance en todo momento.
21. No trate de usar el quitanieves para limpiar techos.

## MANTENIMIENTO Y ALMACENAMIENTO

1. Revise los pernos con frecuencia para asegurar que estén bien apretados y que el quitanieves esté en condiciones seguras de funcionamiento.
2. Nunca guarde el quitanieves con combustible en el tanque dentro de un recinto donde hubieran fuentes de ignición tales como calentadores de agua y estufas, secadoras de ropa, y similares. Permita que el motor se enfríe antes de guardar el quitanieves en cualquier recinto.
3. Si va a almacenar el quitanieves por un período prolongado, siempre consulte las instrucciones del manual del operador donde encontrará consejos importantes.
4. Mantenga o reemplace las etiquetas de seguridad e instrucciones, según sea necesario.
5. Mantenga el quitanieves en marcha unos cuantos minutos después de despejar la nieve, para evitar que se congele la barrena/propulsor.



**ADVERTENCIA:** Este quitanieves es para uso en aceras, entradas de auto y otras superficies de terreno planas. Se debe tener cuidado al usar el quitanieves en superficies inclinadas. **NO USE EL QUITANIEVES EN SUPERFICIES SOBRE EL NIVEL DEL SUELO** tales como techos de residencias, de garajes, porches u otras estructuras o construcciones similares.

# SÍMBOLOS

**IMPORTANTE:** Muchos de estos símbolos están colocados en su quitanieves o están impresos en los manuales que vienen con el producto. Antes de operar el quitanieves aprenda y comprenda el objetivo de cada símbolo.

## Símbolos de control y operación



Despacio



Rápido



Arranque eléctrico



Arranque de motor



Motor en marcha



Motor apagado



Apagado



Encendido



Ahogador  
desactivado



Ahogador  
activado



Neutro



Acelerador



Botón cebador



Llave de encendido



Ignición  
desactivada



Ignición  
activada



Embrague  
de propulsión



Avance



Marcha atrás



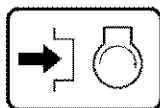
Embrague  
de barrena



Colector  
de barrena



Enganchar



Oprima para accionar  
el arranque eléctrico.



Transmisión

## Símbolos de control y operación

Combustible



Aceite



Mezcla de combustible  
y aceite



Descarga hacia  
ABAJO



Descarga hacia  
ARRIBA



Descarga hacia la  
IZQUIERDA



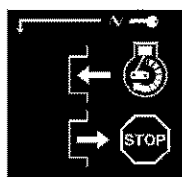
Descarga hacia la  
DERECHA



Transferencia de peso  
Levante el mango  
para enganchar.



Transferencia de peso  
Presione el pedal  
para desenganchar.

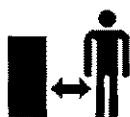


Llave de encendido  
Insertar para marcha,  
Retirar para parar.

## Símbolos de advertencia de seguridad



**PELIGRO**  
Objetos lanzados.  
Mantenga alejados a  
los transeúntes.



**PELIGRO**  
Objetos lanzados.  
Mantenga alejados a  
los transeúntes.



**ADVERTENCIA**



**IMPORTANTE**  
Lea el manual del  
propietario antes de  
operar esta máquina.



**PELIGRO**  
Evite las lesiones que puede  
causar la barrena rotatoria.  
Mantenga las manos, los pies y  
la ropa fuera de su alcance.



**PELIGRO**  
Pare el motor  
antes de desatascar  
el tubo de descarga.



**ADVERTENCIA**  
Superficie caliente



**PARE**

## Contenido de la bolsa con las partes

- 1 - Manual del propietario (no se muestra)
- 1 - Cable de arranque eléctrico (no se muestra)
- 1 - Estabilizador de combustible (no se muestra)



1- Botella de 3,2 onzas de aceite Craftsman de 2 tiempos



**ADVERTENCIA:** Use siempre gafas protectoras o protectores para los ojos, durante el ensamblaje del quitanieves.

## HERRAMIENTAS NECESARIAS

- 1 - Navaja para cortar cartón

La Figura 1 muestra el quitanieves en la posición de operación.

Las referencias sobre el lado derecho o el lado izquierdo del quitanieves, son hechas desde el punto de vista del operador si éste se encuentra parado detrás de la unidad.

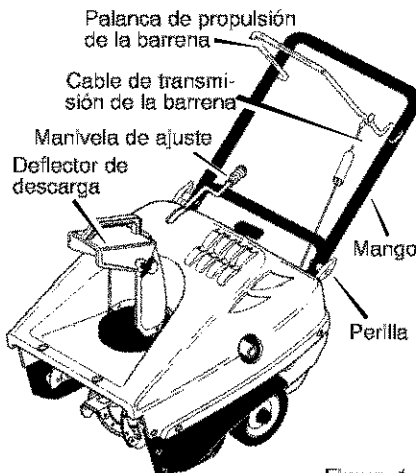


Figura 1

## CÓMO SACAR EL QUITANIEVES DE LA CAJA

1. Saque de la caja el paquete que contiene el manual. En el paquete del manual encontrará un envase de aceite Craftsman para motor de 2 tiempos, además de otras piezas necesarias para armar la unidad.
2. Retire y descarte todo el material de empaque alrededor del quitanieves.
3. Corte cada una de las cuatro esquinas de la caja desde la parte superior hasta abajo y despliegue los paneles en el suelo.
4. Agarre el quitanieves por el mango inferior y sáquelo de la caja.

**PRECAUCIÓN:** NO retroceda sobre los cables.

5. Quite el material de empaque del ensamblaje del mango.

## Cómo ensamblar el mango

1. Afloje las perillas a cada lado de los mangos (Figura 1).
2. Levante el mango superior a la posición de operación. Sosténgalo de manera que no raye el mango inferior.

**NOTA:** Asegúrese de que los cables no estén atrapados entre los mangos superior e inferior.

3. Apriete las perillas.

# ENSAMBLAJE

## ✓ LISTA DE REVISIÓN

Antes de operar su nuevo quitanieves, y para asegurar que obtenga el mejor rendimiento y la mayor satisfacción de este producto de calidad, por favor haga un repaso de la siguiente lista de revisión:

- ✓ Se han completado todas las instrucciones de ensamblado.
- ✓ El tubo de descarga gira libremente.
- ✓ No quedan piezas sueltas en la caja de cartón.

Al mismo tiempo que aprende a usar su quitanieves, preste mucha atención a los detalles siguientes:

- ✓ Asegúrese de que el tanque de combustible contenga la mezcla correcta de gasolina y aceite (proporción 40:1).
- ✓ Familiarícese con la ubicación de todos los controles y asegúrese de entender la función de cada uno.
- ✓ Antes de encender el motor, asegúrese de que todos los controles estén funcionando correctamente.

## ESPECIFICACIONES DEL PRODUCTO

<b>Caballos de fuerza:</b>	5
<b>Cilindrada:</b>	8,46 pulgs. cu.
<b>Tanque de combustible:</b>	1,62 cuartos
<b>Mezcla de gasolina/aceite:</b>	Proporción 40:1, 3,2 onzas de aceite que cumpla con las especificaciones para motores de 2 tiempos enfriados por aire y que sea aprobado para una mezcla de 40:1 por 1 galón de gasolina.
<b>Bujía:</b>	Champion RCJ8Y (Entrehierro 0,030)

**NOTA:** Los caballos de fuerza del motor pueden variar según ajustes al mismo, variaciones en el proceso de fabricación, altitud, condiciones atmosféricas, combustible y mantenimiento.

# OPERACIÓN

## CONOZCA SU QUITANIEVES

LEA ESTE MANUAL DE INSTRUCCIONES Y LAS REGLAS DE SEGURIDAD ANTES DE OPERAR SU QUITANIEVES. Compare estas ilustraciones con su QUITANIEVES para familiarizarse con la ubicación de los diversos controles y ajustes. Guarde este manual para referencia futura.

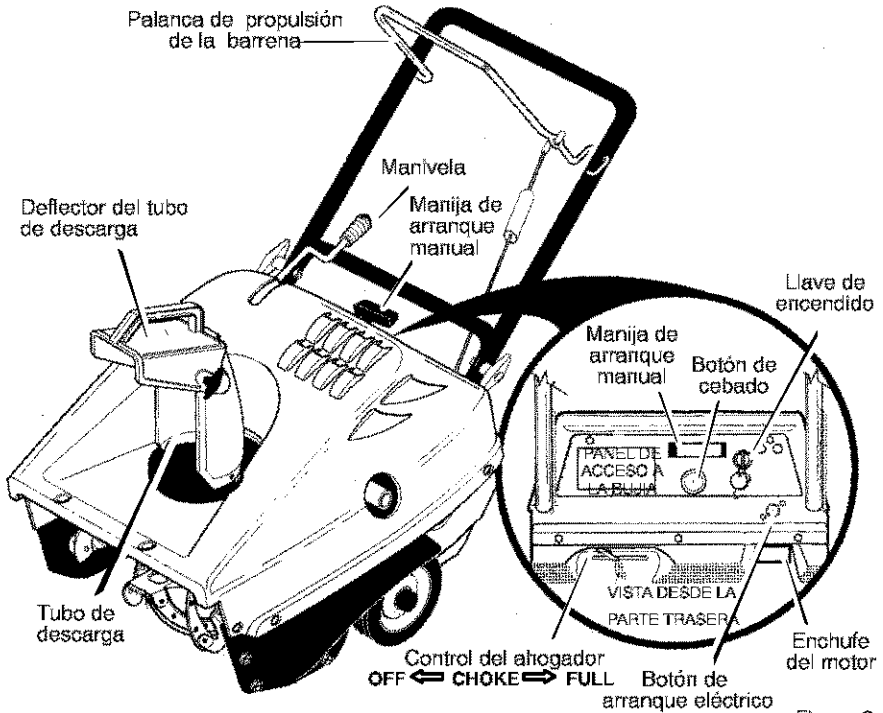


Figura 2

**Palanca de propulsión de la barrena** - Acciona y detiene la barrena.

**Manivela de ajuste** - Cambia la dirección de la descarga de nieve.

**Deflector del tubo de descarga** - Cambia la distancia del lanzamiento de la nieve.

**Tubo de descarga** - Cambia la dirección en que se lanza la nieve.

**Liave de encendido** - Se debe insertar y colocar en la posición de encendido (ON) para arrancar el motor.

**Manija de arranque manual** - Arranca el motor manualmente.

F-031021C

**Botón de arranque eléctrico** - Se usa para hacer arrancar el motor de arranque eléctrico de 120V.

**Control del ahogador** - Se usa para arrancar un motor frío.

**Botón de cebado** - Inyecta el combustible directamente en el múltiple del carburador para un arranque rápido en temperaturas frías.

**Panel de acceso a la bujía** - Panel que ofrece acceso a la bujía.

**Enchufe del motor** - Conexión para el cable de alimentación para arranque eléctrico.

# OPERACIÓN



**ADVERTENCIA:** Lea el manual del propietario antes de operar la máquina. Nunca dirija la descarga hacia los transeúntes. Pare el motor antes de desobstruir el tubo de descarga o el alojamiento de la barrena, y antes de dejar la máquina.



**ADVERTENCIA:** La operación de cualquier quitanieves puede provocar que objetos extraños sean lanzados con fuerza hacia sus ojos, lo cual podría resultar en lesiones graves. Por lo tanto use siempre gafas de seguridad o protectores para los ojos cuando tenga que operar el quitanieves. Le recomendamos gafas de protección estándar o una careta protectora de visión amplia para usar sobre sus anteojos.

## PARA DETENER EL QUITANIEVES

1. Para detener la descarga de nieve, suelte la **palanca de propulsión de la barrena**. Figura 2.

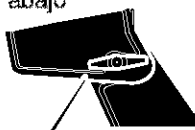
**NOTA:** Si el quitanieves continúa avanzando lentamente, consulte "Cómo ajustar el cable de control de la barrena" en la sección de Servicio y Ajustes.

2. Para parar el motor, mueva la llave de ignición/encendido a la posición APAGAR/PARAR (OFF/STOP).

## PARA CONTROLAR LA DESCARGA DE NIEVE

1. Gire la manivela de control del tubo de descarga para determinar la dirección de lanzamiento de la nieve.
2. Afloje la **tuerca de mariposa** en el deflector del tubo de descarga y mueva el deflector para establecer la distancia. Mueva el deflector hacia (**ARRIBA**) para mayor distancia, hacia (**ABAJO**) para una distancia menor. Luego apriete la **tuerca de mariposa** (Figura 3).

Deflector abajo



Perilla de mariposa

Deflector arriba

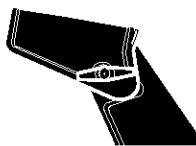


Figura 3

## CÓMO LANZAR LA NIEVE

1. Enganche la **palanca de propulsión de la barrena**.
2. Para detener la descarga de nieve, suelte la **palanca de propulsión de la barrena**.

## CÓMO AVANZAR

1. Sujete la **palanca de propulsión de la barrena** contra el **mango** (Figura 4). La barrena comenzará a girar.
2. Para avanzar, levante el **mango** para permitir que las **hojas de caucho de la barrena** hagan contacto con el suelo. Sujete firmemente el **mango** del quitanieves a medida que éste comienza a avanzar. Guíe el quitanieves moviendo el **mango** ya sea hacia la izquierda o hacia la derecha. No intente empujar el quitanieves.
3. Para detenerlo, suelte la **palanca de propulsión de la barrena**.

**NOTA:** Si la barrena continúa girando, consulte "Cómo ajustar el cable de control de la barrena" en la sección de Servicio y Ajustes.



Palanca de propulsión de la barrena

Figura 4

# OPERACIÓN

## TIPO DE COMBUSTIBLE

La certificación del motor indica que éste cumple con las estipulaciones de las normas de regulación de emisiones de California y de la US EPA para motores ULGE (en equipo de servicio o para prados y jardines). Los motores ULGE están certificados para funcionar con gasolina regular sin plomo.



**ADVERTENCIA:** Los combustibles mezclados con alcohol (llamados gasohol o aquellos que usan etanol o metanol) pueden atraer humedad la cual conduce a la separación y formación de ácidos durante el almacenamiento. Los gases ácidos pueden dañar el sistema de combustible de un motor mientras se encuentra en almacenamiento.

**NOTA:** Para evitar problemas del motor, el sistema de combustible debe vaciarse antes de almacenar la unidad por 30 días o más. Arranque el motor y déjelo en marcha hasta que las líneas de combustible y el carburador estén vacíos. Use el escurridor de la taza del carburador para vaciar la gasolina residual de la cuba de nivel constante. Use gasolina fresca la siguiente temporada. Para obtener información adicional, consulte la sección de "Almacenamiento" en este manual).

Nunca use productos de limpieza de motor o carburador en el tanque de combustible, de lo contrario podría causar daño permanente a la unidad.

## CÓMO PREPARAR LA MEZCLA DE COMBUSTIBLE

El motor de dos tiempos de este quitanieves requiere una mezcla de gasolina y aceite

para lubricar los cojinetes y los demás componentes móviles. La mezcla indicada es una relación de 40:1 (3,2 onzas de aceite por cada galón de gasolina - consulte la Tabla de mezcla de combustible). Es necesario premezclar la gasolina y el aceite en un contenedor de gasolina limpio. Use siempre gasolina nueva, limpia y sin plomo.

**TABLA DE MEZCLA DE COMBUSTIBLE**  
(relación de 40:1)

EE.UU.		SISTEMA BRITÁNICO		SISTEMA MÉTRICO	
GAS.	ACEITE	GAS.	ACEITE	GAS.	ACEITE
1 galón	3,2 oz.	1 galón	3,7 oz.	4 litros	100 ml

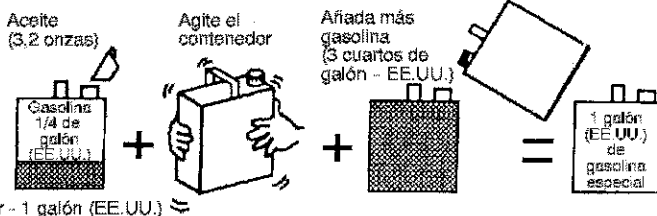
La mezcla de gasolina y aceite se hace de la manera siguiente:

1. Vierta un (1) cuarto de galón (EE.UU.) de gasolina para automóvil nueva, limpia y sin plomo dentro de un contenedor de gasolina con capacidad para un galón.
2. Añada al contenedor con gasolina 3,2 onzas de aceite de dos tiempos, asegurándose de que el aceite sea limpio y de buena calidad.

**IMPORTANTE:** No use aceite de motor fuera de bordo o aceites multiviscosidad como 10W-30 ó 10W-40.

3. Tape el contenedor de gasolina y agítelo vigorosamente para mezclar la gasolina y el aceite.
4. Añada al contenedor otros tres (3) cuartos de galón (EE.UU.) de gasolina. Agite nuevamente el contenedor.

No llene el tanque de combustible con gasolina sin antes mezclarla con aceite. Agite el contenedor de combustible antes de llenar el tanque de combustible.



# OPERACIÓN



**ADVERTENCIA:** La gasolina es inflamable y debe tener mucho cuidado al manipularla o almacenarla.

- No llene el tanque de combustible mientras el quitanieves se encuentre en marcha, cuando esté caliente, o cuando el quitanieves se encuentre en un área cerrada.
- Mantenga la unidad alejada de llamas abiertas o chispas eléctricas y no fume mientras llena el tanque de combustible.
- Nunca llene el tanque completamente. Llene el tanque hasta dejar entre 1/4-1/2 pulgada de la parte superior para proporcionar espacio para la expansión del combustible.
- Siempre llene el tanque al aire libre y use un embudo o boquilla para prevenir el derrame.
- Asegúrese de limpiar cualquier combustible derramado antes de arrancar el motor.
- Almacene la gasolina en un contenedor, limpio y aprobado, y mantenga la tapa puesta y segura en el contenedor.

## ANTES DE ARRANCAR EL MOTOR

1. Antes de darle servicio o de hacer arrancar el motor, familiarícese con el quitanieves. Asegúrese de entender la función y la ubicación de todos los controles.
2. Asegúrese de que todos los sujetadores estén apretados.
3. Antes de hacer arrancar el motor compruebe que todos los controles funcionen correctamente.

## CÓMO PARAR EL MOTOR

Para parar el motor, mueva la llave de encendido a la posición APAGAR/PARAR (OFF/STOP).

## CÓMO HACER ARRANCAR EL MOTOR

El motor está equipado con un sistema de arranque eléctrico de 120 voltios de corriente CA, además de un sistema de arranque F-031021C

manual. Antes de hacer arrancar el motor, asegúrese de haber leído la información siguiente:



**ADVERTENCIA:** El motor de arranque está diseñado para funcionar con corriente doméstica de 120 voltios de CA. Siga cuidadosamente todas las instrucciones de la sección "Cómo hacer arrancar el motor". Para conectar el cable de alimentación de 120 voltios de CA, conecte siempre el cable al enchufe del motor primero. Luego, enchufe el otro extremo en el tomacorriente. Cuando desconecte el cable de alimentación, desenchufe siempre el extremo del tomacorriente primero.

## Cómo hacer arrancar el motor en frío

1. Llene el tanque de combustible con una mezcla de combustible nueva y limpia. Consulte "Cómo preparar la mezcla de combustible".
2. Asegúrese de que la **palanca de propulsión de la barrena** esté desenganchada (suelta).
3. Inserte la **llave de encendido**, muévala a la posición de encendido (ON).
4. Deslice el **control del ahogador** a la posición total (FULL).
5. (**Arranque eléctrico**) Conecte el cable de alimentación al **enchufe** ubicado en el motor.
6. (**Arranque eléctrico**) Enchufe el otro extremo del cable de alimentación en el tomacorriente de 120 voltios de CA. (Lea la ADVERTENCIA en esta sección).
7. Oprima el **botón cebador** de la manera indicada a continuación. Entre cebados retire el dedo del botón cebador.
  - No use la función de cebado si la temperatura está sobre 50°F (10°C).
  - Oprima el botón dos veces si la temperatura está entre 50°F (10°C) y 15°F (-10°C).
  - Oprima el botón cuatro veces si la temperatura se encuentra por debajo de los 15°F (-10°C).
  - Oprima el botón cinco veces si la temperatura se encuentra por debajo de los 0°F (-18°C).

## OPERACIÓN

8. **(Arranque eléctrico)** Oprima el **botón de arranque eléctrico** hasta que el motor arranque. No haga girar el motor de arranque por más de 10 segundos cada vez. El motor de arranque eléctrico tiene protección térmica. Si se recalienta, se parará y se puede volver a activar sólo una vez que se ha enfriado a una temperatura segura. Se requiere una espera de 5 a 10 minutos para permitir que el motor de arranque eléctrico se enfríe.
9. **(Arranque a manual)** Jale rápidamente la **manija del arranque manual**. No suelte la manija inmediatamente después de jalarla. Deje que la manija del arranque manual se enrolle lentamente.
10. Si el motor no arranca a los 5 ó 6 intentos, lea las instrucciones sobre: Dificultad para arrancar en la "Tabla de localización y reparación de averías".
11. **(Arranque eléctrico)** Cuando el motor arranque, suelte el **botón de arranque eléctrico**.
12. **(Arranque eléctrico)** Desconecte primero el cable de alimentación del tomacorriente. Luego, desconecte el cable de alimentación del **enchufe del motor**.
13. Mientras el motor se calienta, mueva el **control del ahogador** a la posición del centro (1/2). Cuando el motor esté funcionando de manera uniforme, mueva el **control del ahogador** a la posición de apagado (OFF).

**NOTA:** Deje que el motor se caliente por algunos minutos antes de comenzar a remover y arrojar nieve en temperaturas inferiores a los 0°F (-18°C).

### Cómo hacer arrancar un motor caliente

Si está arrancando un motor caliente después de haberlo apagado por un periodo corto, deje el ahogador en "APAGADO" (OFF) y no oprima el botón cebador.



**ADVERTENCIA:** Nunca arranque el motor dentro de un recinto cerrado o en áreas con poca ventilación. Los gases de escape del motor contienen **MONÓXIDO DE CARBONO, UN GAS INODORO Y MORTAL**. Mantenga las manos, los pies, el pelo y las ropas sueltas alejadas de las partes en movimiento tanto del motor como del quitanieves.

- La temperatura del silenciador y de las piezas alrededor del silenciador puede exceder los 150°F. Evite tocar estas partes.
- No permita que niños ni adolescentes operen el quitanieves ni que estén cerca cuando esté funcionando.

### CÓMO RETIRAR OBJETOS ATASCADOS DE LA BARRENA



**ADVERTENCIA:** No intente remover ningún objeto atascado en la barrena sin tomar primero las precauciones siguientes:

- Suelte la palanca de propulsión de la barrena.
- Mueva la palanca de encendido a la posición de parada para parar el motor.
- Desconecte el cable de la bujía.
- No coloque las manos en la barrena o en el tubo de descarga. Use una barra de apalancamiento.

## SUGERENCIAS PARA EL LANZAMIENTO DE NIEVE

1. Cuando se levanta el mango, las hojas de caucho de la barrena entran en contacto con el suelo y el quitanieves avanza. Cuando se suelta la palanca de propulsión de la barrena, las cuchillas de la barrena se paran. Si las cuchillas no paran, consulte "Cómo ajustar el cable de propulsión de la barrena" en la sección de Servicio y Ajustes.
2. El lanzamiento de nieve más efectivo se logra cuando la nieve se quita inmediatamente después de la nevada.
3. Para quitar completamente la nieve, sobreponga ligeramente las pasadas del quitanieves.
4. Cuando sea posible, descargue la nieve a favor del viento.
5. Se puede ajustar la distancia, a la que la nieve será lanzada, moviendo el deflector del tubo de descarga. Para más distancia levante el deflector, para menos distancia baje el deflector.
6. En condiciones de mucho viento, baje el deflector del tubo de descarga para dirigir la nieve lanzada más cerca del suelo para evitar que el viento la sople hacia áreas no deseadas.
7. Para su seguridad y para prevenir el daño al quitanieves, mantenga el área que va a limpiar, libre de piedras, juguetes y otros objetos extraños.
8. Cuando esté quitando la nieve sobre entradas de auto cubiertas con grava o roca triturada, no deje que las cuchillas de la barrena toquen el suelo. Mueva el mango hacia abajo para levantar ligeramente la barrena.
9. La velocidad de avance del quitanieves depende de la profundidad y del peso de la nieve. La manera más eficiente de usar el quitanieves será determinada por su experiencia bajo diversas condiciones.

10. Después de cada trabajo deje que el motor funcione por unos minutos. Así se derretirá la nieve y el hielo acumulados en el motor.
11. Limpie el quitanieves después de cada uso. Quite el hielo, la nieve y los residuos de todo el quitanieves. Enjuáguelo con agua para quitarle toda la sal y otras sustancias químicas. Seque el quitanieves.

## NIEVE SECA Y DE POCA PROFUNDIDAD

1. La nieve que se acumule hasta profundidades de ocho pulgadas puede quitarse rápida y fácilmente caminando a una velocidad moderada con el quitanieves. Para acumulaciones de nieve de mayor profundidad, camine más lento para permitir la descarga uniforme de nieve tan pronto sea recogida por la barrena.
2. Intente descargar la nieve a favor del viento.

## NIEVE MOJADA Y COMPACTA

Avance lentamente para despejar la nieve mojada y compacta. Si este tipo de nieve hace que la barrena gire más lento o empieza a atascar el tubo de descarga, retírese un poco y empiece una serie de movimientos cortos con el quitanieves, hacia adelante y hacia atrás. Estos movimientos cortos en la nieve (de cuatro a seis pulgadas), ayudarán a arrojar la nieve del tubo de descarga.

## BANCOS Y ACUMULACIONES GRANDES DE NIEVE

Para despejar la nieve que se acumula a una altura mayor que el quitanieves, use el método descrito anteriormente (movimientos cortos hacia adelante y hacia atrás). Oriente el tubo de descarga en dirección opuesta a la del banco o acumulación grande de nieve. La remoción de este tipo de nieve tomará más tiempo.

# MANTENIMIENTO

## RESPONSABILIDADES DEL PROPIETARIO

REGISTROS DE SERVICIO Anoté las fechas en que se hace mantenimiento regular	Antes de cada uso	A menudo	Cada 5 horas	Cada 10 horas	Cada 25 horas	Cada estación	Antes de guardar	FECHA DEL SERVICIO
Apretar todos los tornillos y tuercas	✓	✓						
Revisar la bujía					✓	✓		
Lubricar el reborde del control de descarga							✓	
Vaciar el tanque de combustible							✓	
Revisar el combustible	✓							
Revisar el ajuste del cable de control de la barrena						✓		

## RECOMENDACIONES GENERALES

La garantía de este quitanieves no cubre piezas que hayan sido sometidas a abuso o negligencia por parte del operador. Para recibir el valor completo de la garantía, el operador debe mantener el quitanieves de acuerdo a las Instrucciones contenidas en este manual.

Se deben hacer algunos ajustes periódicamente para mantener adecuadamente su quitanieves.

- Si alguna pieza está gastada o dañada, cámbiela inmediatamente.

## LUBRICACIÓN

### Antes de guardar el quitanieves

- Desmonte la **cubierta superior**. Consulte "Cómo desmontar la cubierta superior".
- Lubrique el **rebordo de control del tubo de descarga**. Aplique un tipo de grasa que se adhiera, como por ejemplo Lubriplate.

## DESPUÉS DE CADA USO

- Haga funcionar la unidad para que salga toda la nieve acumulada en la barrena.
- Para evitar el congelamiento de la barrena o de los controles, limpie toda la nieve y el hielo del quitanieves.
- Vea si hay piezas sueltas o dañadas.
- Apreté los sujetadores que estén sueltos.
- Revise y dé mantenimiento a la barrena.
- Revise los controles para asegurarse de que funcionan adecuadamente.

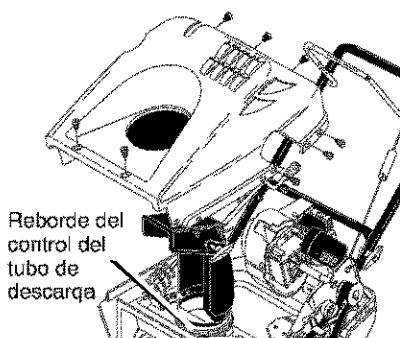


Figura 5

## CÓMO AJUSTAR EL CABLE DE CONTROL DE LA BARRENA

El ajuste del cable de control de la barrena se hace en la fábrica. Durante el uso normal del quitanieves, este cable puede aflojarse previniendo que la palanca de propulsión de la barrena enganche o desenganche correctamente.

1. Quite el **gancho en "Z"** de la **palanca de propulsión de la barrena** (Figura 6).
2. Deslice la **funda del cable** sobre el **cable de control de la barrena** hasta que la **funda del cable** no cubra ninguna parte del **soporte de ajuste del cable** (Figura 7).
3. Guíe el extremo del **cable de control de la barrena** a través del ojal del **soporte de ajuste del cable** de la manera indicada por la flecha en la Figura 7. Esto le dará suficiente huelgo permitiendo retirar con facilidad el **gancho en "Z"**.
4. Coloque el **gancho en "Z"** en el próximo agujero de ajuste en el **soporte de ajuste del cable**. Este agujero de ajuste es el que se encuentra un espacio más abajo del agujero donde se encontraba colocado anteriormente el **gancho en "Z"**.
5. Tire del **cable de control de la barrena** a través del ojal del **soporte de ajuste del cable** hasta que no quede huelgo en el **cable de control de la barrena**.
6. Deslice nuevamente la **funda del cable** sobre el **soporte de ajuste del cable**.
7. Monte el **gancho en "Z"** a la **palanca de propulsión de la barrena** (Figura 6).
8. Para comprobar el ajuste, arranque el quitanieves. Asegúrese de que la barrena no gire al soltar la **palanca de propulsión**. Enganche la **palanca de propulsión de la barrena** y compruebe que la barrena comienza a girar. Si ésta no gira, repita el procedimiento de "Ajuste del cable de control de la barrena".

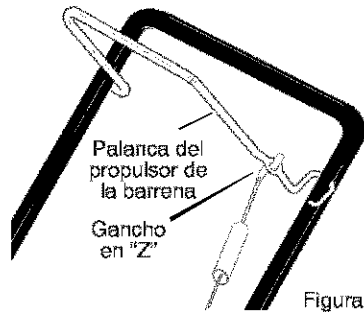


Figura 6

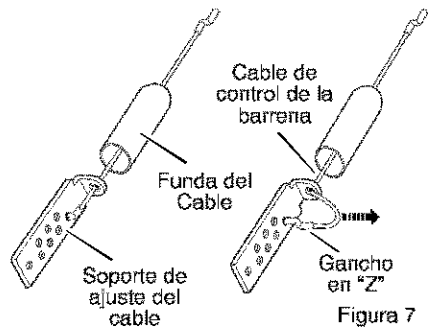


Figura 7

## CÓMO QUITAR LA CUBIERTA SUPERIOR

1. Desmonte el tubo de descarga.
2. Quite la tapa del tanque de combustible.
3. Quite los dos pernos y tuercas (A) de la parte del frente de la **cubierta superior**.
4. Quite los dos pernos (B) del lado derecho y del lado izquierdo de la **cubierta superior**.
5. Quite los ocho tornillos (C) del lado derecho y del lado izquierdo de la **cubierta superior**.
6. Quite los tres tornillos (D) de la parte superior del panel de control.
7. Quite con cuidado la **cubierta superior** agarrándola y jalándola desde la parte de atrás y pasándola sobre el tanque de combustible.

8. Para montar la **cubierta superior**, realice los pasos anteriores en orden inverso.

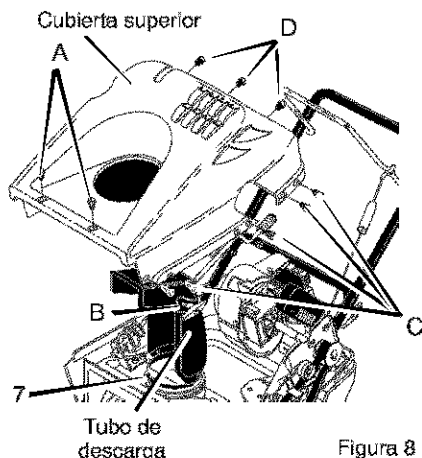


Figura 8

## CÓMO QUITAR LA CUBIERTA DE LA CORREA

1. Si hay una instalada, quite la **placa térmica** de la parte de atrás de la **cubierta de la correa**.
2. Quite los pernos y las tuercas (A) que sujetan la **cubierta de la correa** al alojamiento de la barra.
3. Si no se ha quitado la cubierta superior, saque los **tornillos (B)** que sujetan la

**cubierta de la correa** a la cubierta superior.

4. Quite el **tornillo (C)** que sujeta la **cubierta de la correa** a la **cubierta inferior**.
5. Para quitar la **cubierta de la correa**, agárrela por la parte inferior y jale hacia abajo y hacia afuera.
6. Para instalar la **cubierta de la correa**, realice los pasos anteriores en orden inverso.

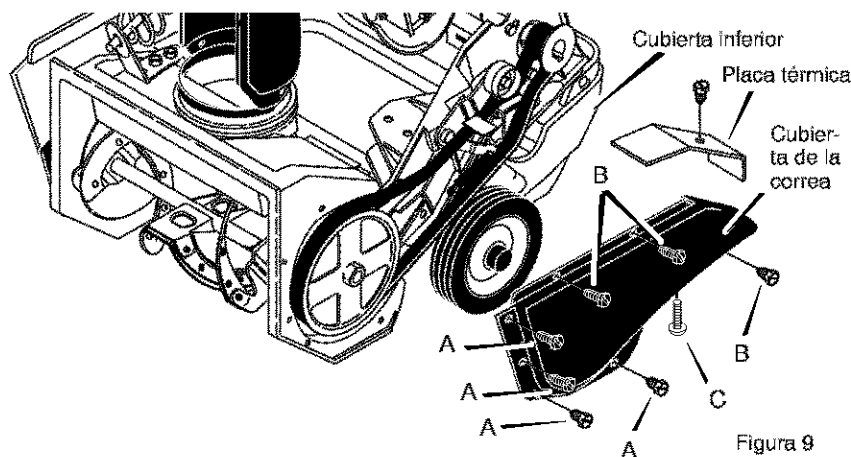


Figura 9

## CÓMO REEMPLAZAR LA CORREA DE TRANSMISIÓN

La correa de transmisión está construida especialmente para la unidad y debe ser reemplazada únicamente con una correa original de fábrica para su unidad, disponible en su centro de servicio Sears más cercano.

1. Quite la cubierta de la correa. Consulte "Cómo quitar la cubierta de la correa".
2. Saque la **correa de transmisión** de la **polea tensora** (Figura 10).
3. Retire la **guía de correa** de la correa.
4. Para reducir la presión a la correa de transmisión, separe la polea tensora de la correa. Saque la correa de transmisión de entre la zapata de freno y el rodillo.
5. Saque la **correa de transmisión** vieja.
6. Para instalar la nueva **correa de transmisión**, realice los pasos anteriores en el orden inverso.
7. Asegure que la **correa de transmisión** quede montada correctamente en las poleas.
8. Ajuste la guía de correa para que deje un espacio de  $\frac{3}{32}$  de pulgada, como se muestra en la Figura 11.

**NOTA:** Cuando se engancha la palanca de control de la barrena, la **guía de correa debe quedar a  $\frac{3}{32}$  de pulgada de la correa de transmisión.**

9. Instale la cubierta de la correa. Consulte "Cómo quitar la cubierta de la correa".

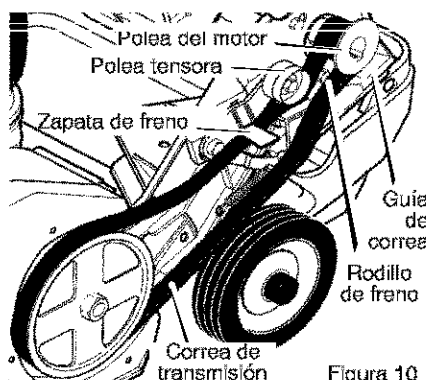
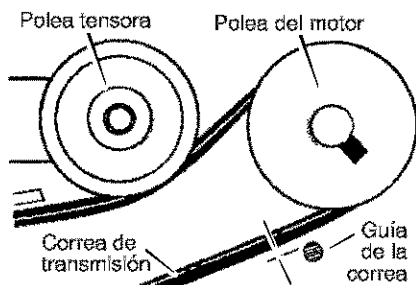


Figura 10



$\frac{3}{32}$  pulg. Figura 11

## CÓMO SACAR LA BARRENA

1. Retire la cubierta de la correa. Consulte "Cómo quitar la cubierta de la correa".
2. Saque la correa de transmisión. Consulte "Cómo reemplazar la correa de transmisión".
3. Saque la **polea de la barrena (1)** del vástago de la barrena (la rosca va hacia la izquierda; gire hacia la derecha para sacar).
4. Para que la barrena no gire mientras hace esta reparación, coloque un pedazo de madera de 2 x 4 pulgadas en la paleta del centro para asegurar la barrena.
5. Retire los sujetadores de la **unidad de cojinetes**. Saque la **unidad de cojinetes del alojamiento de barrena**.
6. Deslice la **barrena** fuera de la unidad de cojinetes en el lado derecho del quitanieves.

7. Incline la **barrena** suficientemente para permitir que salga del **alojamiento de barrena**.
8. Para instalar la **barrena**, realice los pasos anteriores en orden inverso.

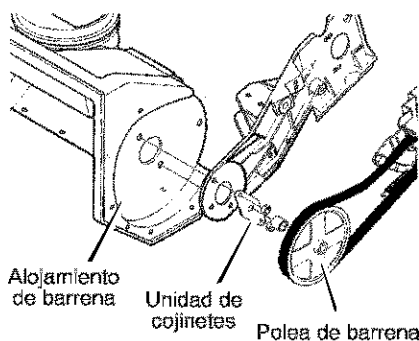


Figura 12

## SERVICIO Y AJUSTES



**ADVERTENCIA:** Para prevenir el arranque accidental del motor, siempre desconecte el cable de la bujía y manténgalo alejado de ésta, mientras realiza ajustes o reparaciones a la unidad.

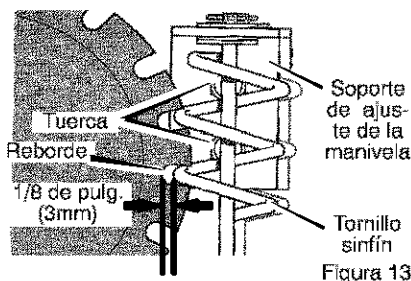
### AJUSTE DE LA MANIVELA DEL TUBO DE DESCARGA

Si la manivela de ajuste del tubo de descarga no gira libremente hacia la izquierda o hacia la derecha, realice los pasos siguientes.

1. Quite la cubierta superior. Consulte "Cómo quitar la cubierta superior".
2. Afloje las **tuercas**.
3. Mueva la **placa de ajuste de la manivela** para permitir un **espacio libre de 1/8**

**de pulgada (3mm)** entre la muesca del reborde y el diámetro exterior del tornillo sinfín.

4. Apriete las **tuercas**.

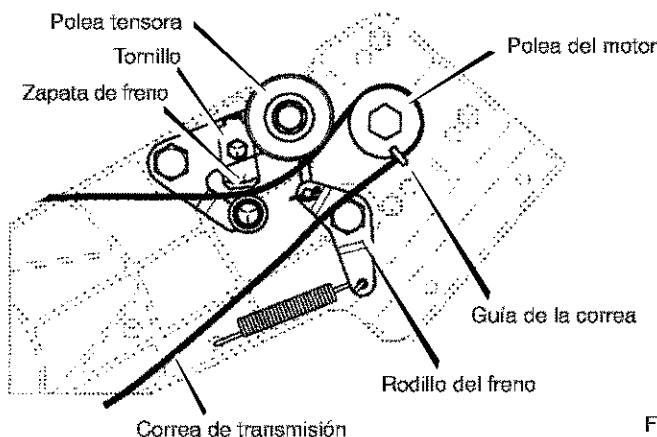


### CÓMO AJUSTAR LA ZAPATA DE FRENO

**IMPORTANTE:** El ajuste es necesario solamente si la zapata de freno se ha soltado o se ha salido. El ajuste se realiza de la manera siguiente:

1. Retire la cubierta superior. Consulte "Cómo quitar la cubierta superior".
2. Retire la cubierta de la correa. Consulte "Cómo quitar la cubierta de la correa".

3. Ate la palanca del propulsor de la barra al mango. Esto mantendrá enganchado el sistema de transmisión.
4. Afloje el **tornillo** y la **tuerca** en el **brazo de la zapata de freno** (Figura 14).
5. Establezca el espacio libre entre la **zapata de freno** y la **correa de transmisión** a **1/8 de pulgada**.
6. Apriete el **tornillo** y la **tuerca** en el **brazo de la zapata de freno**.



## SERVICIO Y AJUSTES

### AJUSTE DEL CARBURADOR

El carburador no es ajustable. El rendimiento del motor no debe verse afectado en alturas de hasta 7.000 pies (2100 m). Para operar la unidad en alturas superiores a los 7.000 pies (2100 m), comuníquese con su centro de servicio Sears más cercano.

**IMPORTANTE:** Nunca trate de modificar el gobernador del motor, el cual fue configu-

rado en la fábrica para establecer la velocidad apropiada del motor. Hacer que el motor exceda la velocidad del ajuste hecho en la fábrica puede ser muy peligroso. Si usted cree que la velocidad alta gobernada por el motor necesita ser ajustada, comuníquese con su centro de servicio Sears más cercano. Allí encontrará los técnicos con la experiencia apropiada para efectuar los ajustes necesarios.

### AJUSTE O REEMPLAZO DE LA BUJÍA

Revise la **bujía** cada veinticinco (25) horas de uso del quitanieves. Reemplace la **bujía** si los electrodos están picados o quemados o si la porcelana está partida.

La bujía se encuentra en el compartimiento del motor debajo de la cubierta superior y no se ve bajo condiciones normales.

1. Abra el **panel de acceso** a la bujía ubicado en el panel de control (Figura 15).
2. Verá la bujía y el cable de la bujía.
3. Desconecte el cable de la bujía.
4. Limpie el área alrededor de la base de la bujía para evitar que entren impurezas en el motor al quitar la bujía.
5. Quite la bujía.
6. Examinela. Si está dañada, fisurada o sucia debe reemplazarla.
7. La distancia entre los electrodos de la bujía nueva (entrehierro) debe ser de 0,030 de pulgada (Figura 16).

8. Instale la bujía en la culata del cilindro y apriétela bien.

Panel de acceso



Figura 15

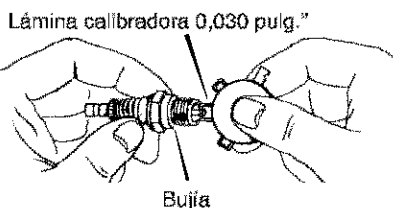


Figura 16

# ALMACENAMIENTO



**ADVERTENCIA:** Nunca guarde su quitanieves en recintos cerrados o en un área sin ventilación adecuada. Los vapores del combustible podrían alcanzar alguna llama abierta, chispa o la llama piloto ya sea de la caldera, calentador de agua, secadora de ropa, cigarrillo, etc.

**NOTA:** Para evitar daño al motor (si el quitanieves no se usa por más 30 días) siga los pasos detallados a continuación.

## QUITANIEVES

1. Limpie completamente el quitanieves.
2. Lubrique todos los puntos de lubricación (consulte la sección de **Mantenimiento**).
3. Asegúrese de que todas las tuercas, pernos y tornillos están bien apretados. Inspeccione todas las piezas móviles visibles para detectar daños, roturas y desgaste. Efectúe reemplazos si fuese necesario.
4. Retoque todas las superficies oxidadas o con pintura resquebrajada, lijándolas ligeramente antes de pintarlas.
5. Cubra las piezas de metal expuestas del alojamiento de la barrena y el impulsor con un material para prevenir la corrosión, tal como un lubricante en aerosol.

**NOTA:** Una revisión o afinado anual por un centro de servicio Sears es una buena manera de asegurar que su quitanieves le brindará el máximo rendimiento la siguiente temporada.

## MOTOR



**ADVERTENCIA:** Vacíe el tanque de gasolina al aire libre, lejos de fuentes de fuego o llamas.

La gasolina deberá ser removida o tratada para prevenir la formación de depósitos de goma en el tanque, filtro, manguera y carburador durante el almacenamiento. Asimismo, durante el almacenamiento, la gasolina mezclada con alcohol en la cual se ha utilizado etanol o metanol (a veces llamada gasohol) atrae agua. Esta agua actúa sobre la gasolina para formar ácidos que dañan el motor.

F-031021C

1. Para remover la gasolina, mantenga el motor en marcha hasta que el tanque quede vacío y el motor se pare.
2. Si no desea sacar gasolina, use el estabilizador de combustible provisto con la unidad o compre estabilizador de combustible Craftsman No. 3550. Añada estabilizador de combustible a la cantidad de gasolina que permanezca en el tanque para minimizar los depósitos de goma y ácido. Si el tanque está casi vacío, mezcle el estabilizador con gasolina fresca en un recipiente separado y añada un poco de esta mezcla al tanque.
3. Siempre siga las instrucciones en el envase del estabilizador. Después de añadir el estabilizador al tanque, haga correr el motor durante 10 minutos por lo menos para permitir que la mezcla alcance el carburador.
4. Cambie el aceite del motor.
5. Lubrique el área del pistón/cilindro de la manera siguiente: Primero, retire la bujía y coloque unas gotas de aceite de motor limpio en el zócalo de la bujía. Luego, cubra el zócalo con un paño para que absorba el rocío del aceite. A continuación, jale dos o tres veces la cuerda del arranque manual para hacer girar el motor. Para terminar, instale nuevamente la bujía y conecte el cable de la misma.

## OTRAS SUGERENCIAS

1. Si fuera posible, almacene su quitanieves dentro de algún recinto y cúbralo para protegerlo contra el polvo y la suciedad.
2. Si debe almacenar el quitanieves al aire libre, colóquelo sobre bloques para que no quede en contacto con el suelo.
3. Cubra el quitanieves con una cubierta protectora apropiada que no retenga humedad. No use plástico.

**IMPORTANTE:** Nunca cubra el quitanieves mientras las áreas del motor y el escape están todavía calientes.

# TABLA DE LOCALIZACIÓN Y REPARACIÓN DE AVERÍAS

PROBLEMA	CAUSA	CORRECCIÓN
<b>Dificultad para arrancar</b>	Bujía defectuosa.	Reemplace la bujía defectuosa.
	Agua o suciedad en el sistema de combustible.	Vacíe y limpie el tanque de combustible; vuelva a llenar el tanque con una mezcla fresca de combustible.
<b>El motor funciona erráticamente</b>	Línea de combustible bloqueada, tanque de combustible vacío o mezcla de combustible añeja.	Limpie la línea de combustible; revise el suministro de combustible; ponga una mezcla fresca de combustible en el tanque.
<b>El motor se para</b>	La unidad está funcionando con la palanca de estrangulación (ahogador) en la posición de ESTRANGULACION (CHOKE).	Coloque la palanca de estrangulación en la posición run (arranque) o en la posición off (apagado).
<b>El motor funciona erráticamente; Pérdida de potencia</b>	Agua o suciedad en el sistema de combustible.	Vacíe y limpie el tanque de combustible; vuelva a llenar el tanque con una mezcla fresca de combustible.
<b>Vibración excesiva</b>	Conjunto de la barrena dañado.	Repare o reemplace el conjunto de la barrena.
	Partes sueltas. propulsor dañado.	Pare el motor inmediatamente. Saque la llave de encendido. Apriete todos los sujetadores y realice todas las reparaciones necesarias. Si la vibración continúa, lleva la unidad a su centro de servicio Sears.
<b>La unidad no avanza por autopropulsión</b>	La correa de propulsión de la barrena está suelta o dañada.	Reemplace la correa de propulsión.
	Ajuste incorrecto del cable de propulsión de la barrena.	Ajuste el cable de propulsión.
<b>La unidad no descarga nieve</b>	La correa de propulsión de la barrena está suelta o dañada.	Ajuste la correa de propulsión de la barrena; reemplace la correa si está dañada.
	El cable de control de la barrena no está ajustado correctamente.	Ajuste el cable de control de la barrena.
	Tubo de descarga obstruido.	Pare el motor inmediatamente y desconecte el cable de la bujía. Limpie el tubo de descarga y dentro del alojamiento de la barrena.
	Objeto extraño atorado en la barrena	Pare el motor inmediatamente y desconecte el cable de la bujía. Retire el objeto atorado en la barrena.

# SEARS, ROEBUCK AND CO.

## Garantía limitada de cumplimiento con el Sistema Federal de control de emisiones y con el sistema de control de emisiones del Estado de California

### Motores pequeños para vehículos todo terreno

#### CONTROL DE EMISIONES DE CALIFORNIA Y DE LA AGENCIA DE PROTECCIÓN AMBIENTAL (EPA) DE E.U.A. - DECLARACIÓN DE LA GARANTÍA

La Agencia de Protección Ambiental de los Estados Unidos (en lo sucesivo "EPA"), el Consejo de California para los Recursos del Aire (en lo sucesivo "CARB") y Sears, Roebuck and Co. tienen el placer de explicar lo que es la Garantía Federal y de California para Sistemas de Control de Emisiones de su nuevo motor pequeño para vehículos de todo terreno. En California, los motores pequeños para vehículos todo terreno de modelo 1995 y modelos de años posteriores deben ser diseñados, construidos y equipados para cumplir con las estrictas normas anti contaminación del Estado. En otros estados, los motores modelo 1997 y modelos de años posteriores deben estar diseñados, construidos y equipados, al momento de su venta, para que cumplan con las disposiciones de la EPA acerca de motores pequeños para vehículos todo terreno. Sears, Roebuck and Co. garantizará el sistema para el control de emisiones de su motor pequeño para vehículos todo terreno por los periodos de tiempo que se mencionan más adelante, con tal que su motor pequeño para vehículos todo terreno no haya sufrido algún abuso, negligencia, modificación no aprobada o mantenimiento irdebido.

Es probable que su sistema para el control de emisiones incluya partes como el carburador, el sistema de encendido y el sistema de escape. También es posible que se incluya el sistema de descompresión y otros ensamblajes relacionados con emisiones.

Cuando surja una condición protegida por la garantía, Sears, Roebuck and Co. reparará su motor pequeño para vehículos todo terreno sin costo alguno para usted por concepto de diagnóstico, partes y mano de obra.

#### SISTEMA PARA EL CONTROL DE EMISIONES DEL FABRICANTE - COBERTURA DE LA GARANTÍA

Los sistemas para el control de emisiones instalados en motores pequeños para vehículos todo terreno en California modelo 1995 y modelos de años posteriores están garantizados por dos años, tal y como se menciona en la presente garantía. En otros estados, los motores modelo 1997 y modelos de años posteriores también están garantizados por dos años. En caso de que, durante dicho periodo de la garantía, cualquier parte de su motor relacionada con emisiones esté defectuosa en sus materiales o mano de obra, Sears, Roebuck and Co. reparará o cambiará dicha parte.

#### RESPONSABILIDADES DEL PROPIETARIO DE LA GARANTÍA

Como propietario del motor pequeño para vehículos todo terreno usted es responsable de que se lleve a cabo el mantenimiento requerido que se menciona en el Manual del Propietario, pero Sears, Roebuck and Co. no negará la garantía únicamente debido a la falta de un recibo o a que usted no proporcione una prueba escrita de que se ha llevado a cabo el mantenimiento programado.

No obstante, usted, como propietario del motor pequeño para vehículos todo terreno, deberá estar consciente de que Sears, Roebuck and Co. le puede negar la cobertura de la garantía si su motor o alguna parte del mismo ha fallado debido a un abuso, negligencia, mantenimiento inadecuado o modificaciones no aprobadas.

Usted es responsable de presentar su motor pequeño para vehículos todo terreno en el Taller Autorizado de Servicio de Sears, Roebuck and Co. en cuanto surja el problema. Las reparaciones bajo la garantía deben llevarse a cabo dentro de un periodo de tiempo razonable que no exceda de 30 días.

Se puede programar el servicio de garantía llamando al Taller Autorizado de Servicio de

Sears, Roebuck and Co. o a Sears, Roebuck and Co. al 1-800-473-7247 (llamada gratuita en E.U.A.).

### NOTA IMPORTANTE

Esta declaración de la garantía explica los derechos y las obligaciones que usted tiene de conformidad con la Garantía del Sistema para el Control de Emisiones (en lo sucesivo la "Garantía SCE"), la cual Sears, Roebuck and Co. le proporciona de conformidad con las leyes de California. Véase también las Garantías Limitadas de Sears, Roebuck and Co. que se adjuntan a la Garantía SCE en una hoja por separado y que también le proporciona Sears, Roebuck and Co. La Garantía SCE únicamente se aplica en el sistema para el control de emisiones de su motor nuevo. Hasta el punto en donde no haya ningún conflicto en términos entre la Garantía SCE y la Garantía de Sears, Roebuck and Co., la Garantía SCE aplicará para cualquier circunstancia a excepción de aquélla en que la Garantía de Sears, Roebuck and Co. pueda proporcionar un periodo de garantía más largo. La Garantía SCE y la Garantía de Sears, Roebuck and Co. describen importantes derechos y obligaciones que usted tiene con respecto a su motor nuevo.

Sólo se puede llevar a cabo el servicio de garantía en un Taller Autorizado de Servicio de Sears, Roebuck and Co. Al momento de solicitar un servicio de garantía, se debe presentar una prueba de la fecha de compra por parte del comprador original. El comprador pagará cualquier cargo por concepto de llamadas de servicio y/o transportación de productos desde y para el lugar en donde se lleve a cabo el trabajo de inspección y/o garantía. El comprador será responsable de cualquier daño o pérdida en el que se incurra con relación a la transportación de cualquier motor o cualquier parte del mismo que se presente para inspección y/o trabajo de garantía.

Si tiene alguna pregunta con relación a sus derechos y responsabilidades, deberá llamar a Sears, Roebuck and Co. al 1-800-473-7247.

### GARANTÍA DEL SISTEMA PARA EL CONTROL DE EMISIONES

Garantía del Sistema para el Control de Emisiones ("Garantía SCE") de motores pequeños para vehículos todo terreno modelo 1995 y modelos de años posteriores en California (para otros estados, motores modelo 1997 y años posteriores):

F-031021C

**A. CAMPO DE APLICACIÓN:** Esta garantía deberá aplicarse a los motores pequeños para vehículos todo terreno modelo 1995 y modelos de años posteriores en California (para otros estados, motores modelo 1997 y modelos de años posteriores). El Periodo de la Garantía SCE iniciará en la fecha de entrega del nuevo motor o equipo al comprador original y continuará durante los siguientes 24 meses consecutivos.

**B. COBERTURA GENERAL DE LA GARANTÍA DEL SISTEMA PARA EL CONTROL DE EMISIONES:** Sears, Roebuck and Co. garantiza al comprador original del nuevo motor o equipo y a cada comprador subsecuente que su motor pequeño para vehículos todo terreno está:

1. Diseñado, construido y equipado para que cumpla con todas las disposiciones aplicables adoptadas por el Consejo para los Recursos del Aire de conformidad con su autoridad especificada en los Capítulos 1 y 2, Parte 5, División 26 del Código de Salud y Seguridad, y

2. Libre de defectos en sus materiales y mano de obra, los cuales, en cualquier momento durante el Periodo de la Garantía SCE, cause la falla de una parte relacionada con emisiones y que esté bajo la garantía en cuarto a que no sea idéntica en sus materiales a la parte descrita en la solicitud de motor del fabricante para su certificación.

**C. La Garantía SCE sólo atañe a las partes de su motor relacionadas con emisiones de la siguiente manera:**

1. Cualquier parte relacionada con emisiones que no se especifique como de cambio, tal y como se requiere en el mantenimiento especificado en el Manual del Propietario, deberá garantizarse por el Periodo de la Garantía SCE. Si dicha parte falla durante el Periodo de la Garantía SCE, Sears, Roebuck and Co. la reparará o cambiará de acuerdo con la Subsección 4 que se menciona más adelante. Cualquier parte reparada o cambiada de conformidad con la Garantía SCE deberá estar garantizada por el resto del Periodo de la misma.

2. Cualquier parte garantizada y relacionada con emisiones que esté especificada sólo para inspecciones regulares conforme al Manual del Propietario deberá estar garantizada por el Periodo de la Garantía SCE. Una declaración en dichas instrucciones por escrito a efecto de "reparar o cambiar tal y como sea necesario" no reducirá el Periodo de la Garantía SCE. Dicha parte reparada o cambiada conforme a la

Garantía SCE deberá garantizarse por el resto del Periodo de la misma.

3. Cualquier parte garantizada y relacionada con emisiones que se especifique para cambio, de conformidad con el Manual del Propietario, deberá garantizarse por el periodo de tiempo previo al primer punto de cambio de esa parte. Si la parte falla antes del primer cambio programado, Sears, Roebuck and Co. reparará o cambiará esa parte de acuerdo con la Subsección 4 que se menciona más adelante. Cualquier parte relacionada con emisiones que se repare o cambie de conformidad con la Garantía SCE deberá estar garantizada por el resto del Periodo de la misma previo al primer punto de cambio programado de esa parte relacionada con emisiones.

4. La reparación o el cambio de cualquier parte garantizada y relacionada con emisiones de conformidad con esta Garantía SCE se deberá llevar a cabo, sin cargo alguno para el propietario, en un Taller Autorizado de Servicio de Sears, Roebuck and Co.

5. No se cargará al propietario el costo por trabajo de diagnóstico, el cual lleva a la determinación de que una parte protegida por la Garantía SCE si está defectuosa, provisto que dicho trabajo de diagnóstico se lleve a cabo en un Taller Autorizado de Servicio de Sears, Roebuck and Co.

6. Sears, Roebuck and Co. será responsable de daños a otros componentes originales del motor o modificaciones aprobadas que probablemente sean causados por una falla comprendida en la garantía de una parte relacionada con emisiones cubierta por la Garantía SCE.

7. Durante el Periodo de la Garantía SCE, Sears, Roebuck and Co. deberá conservar un suministro de partes garantizadas y relacionadas con emisiones que sea suficiente para cumplir la demanda esperada de esas partes relacionadas con emisiones.

8. Se puede utilizar cualquier parte de repuesto relacionada con emisiones autorizada y

aprobada por Sears, Roebuck and Co. para utilizarse en el desempeño de cualquier mantenimiento o cambio de la Garantía SCE, la cual se proporcionará sin cargo alguno para el propietario. Dicho uso no reducirá las obligaciones de Sears, Roebuck and Co. conforme a la Garantía SCE.

9. Las partes que se agreguen o modifiquen sin aprobación no se podrán utilizar para modificar o reparar un motor de Sears, Roebuck and Co. Dicho uso anula esta Garantía SCE y conformará las bases suficientes para rechazar la demanda de una Garantía SCE. Sears, Roebuck and Co. no será responsable, conforme a esta garantía, por las fallas de cualquier parte garantizada de un motor de Sears, Roebuck and Co. causadas por el uso de dicha parte agregada o modificada sin aprobación.

### **LAS PARTES RELACIONADAS CON EMISIONES INCLUYEN A LAS SIGUIENTES:**

1. Ensamblaje del carburador y sus componentes internos
  - a) Filtro de combustible
  - b) Empaques (juntas) del carburador
  - c) Tubo de entrada
2. Ensamblaje del depurador de aire
  - a) Elemento del filtro de aire
3. Sistema de encendido, que incluye:
  - a) Bujía de encendido
  - b) Módulo de encendido
  - c) Ensamblaje del volante
4. Silenciador catalítico (si está equipado)
  - a) Empaque del silenciador (si está equipado)
  - b) Colector de escape (si está equipado)
5. Ensamblaje del respiradero del cárter del cigüeñal y sus componentes
  - a) Tubo de conexión del respiradero

10/22/99 EPA/CARB

**Sears, Roebuck and Co., Hoffman Estates, IL 60179 U.S.A.**

# Get it fixed, at your home or ours!

## Your Home

For repair – **in your home** – of all major brand appliances, lawn and garden equipment, or heating and cooling systems, **no matter who made it, no matter who sold it!**

For the replacement parts, accessories and owner's manuals that you need to do-it-yourself.

For Sears professional installation of home appliances and items like garage door openers and water heaters.

**1-800-4-MY-HOME<sup>®</sup>** Anytime, day or night  
(1-800-469-4663) (U.S.A. and Canada)  
[www.sears.com](http://www.sears.com) [www.sears.ca](http://www.sears.ca)

## Our Home

For repair of carry-in products like vacuums, lawn equipment, and electronics, call or go on-line for the nearest

**Sears Parts and Repair Center.**

**1-800-488-1222** Anytime, day or night (U.S.A. only)  
[www.sears.com](http://www.sears.com)

To purchase a protection agreement (U.S.A.) or maintenance agreement (Canada) on a product serviced by Sears:

**1-800-827-6655** (U.S.A.) **1-800-361-6665** (Canada)

Para pedir servicio de reparación a domicilio, y para ordenar piezas:

**1-888-SU-HOGAR<sup>SM</sup>**  
(1-888-784-6427)

Au Canada pour service en français:

**1-800-LE-FOYER<sup>MC</sup>**  
(1-800-533-6937)  
[www.sears.ca](http://www.sears.ca)

# SEARS

© Sears, Roebuck and Co.

® Registered Trademark / <sup>TM</sup> Trademark / <sup>SM</sup> Service Mark of Sears, Roebuck and Co.

® Marca Registrada / <sup>TM</sup> Marca de Fábrica / <sup>SM</sup> Marca de Servicio de Sears, Roebuck and Co.

<sup>MC</sup> Marque de commerce / <sup>MD</sup> Marque déposée de Sears, Roebuck and Co.