

Use & Care Guide
Manual de Uso y Cuidado



Kenmore Elite®

Smart Room Air Conditioner

Aire Acondicionado Inteligente Para Habitación

Models/Modelos: 580.77107710 (10000 BTU)

580.77127710 (12000 BTU)



MFL66921602

Sears Brands Management Corporation
Hoffman Estates, IL 60179 U.S.A.

www.kenmore.com



TABLE OF CONTENTS

IMPORTANT SAFETY INSTRUCTIONS	3-5
GROUNDING REQUIREMENTS	5
FEATURES AND BENEFITS	
Key Parts and Components	6
Electrical Data	6
INSTALLATION REQUIREMENTS	
Key Dimensions and Specifications	7
Items Included	7
Tools Required	7
INSTALLATION INSTRUCTIONS	
Window Requirements	8
Preparation of Cabinet	8
Cabinet Installation.....	9-11
HOW TO USE	
Control Panel and Remote Control.....	12
Inserting the Remote Control Battery.....	13
Ventilation.....	13
Air Direction.....	13
Additional Features	14
Smart Features	14
FCC Notice	15
Wireless LAN Module Specifications	15
Open Source Software Notice.....	15
CARE AND CLEANING	
Air Filter.....	16
Cleaning the Air Conditioner	16
TROUBLESHOOTING GUIDE	
Normal Sounds You May Hear.....	17
Before Calling for Service	18-19
WARRANTY.....	20
SERVICE	BACK COVER

PRODUCT RECORD

In the space below, record the date of purchase, model, and serial number of your product. You will find the model and serial number printed on an identification plate located on the outside of the cabinet, or behind the filter at the bottom of the unit. Use a flashlight to help read the numbers, or remove the cabinet front as instructed in the Care and Cleaning section. Have these items of information available whenever you contact Sears concerning your product.

Model No. _____
Date of Purchase _____
Serial No. _____

Save these instructions and your sales receipt for future reference.

SAFETY MESSAGES

There are many important safety messages in this manual and on your appliance. Always read and obey all safety messages.



This is the safety alert symbol. This symbol alerts you to potential hazards that can result in property damage and/or serious bodily harm or death.

All safety messages will follow the safety alert symbol and the word **WARNING** or **CAUTION** as shown below.

WARNING

Indicates a hazardous situation which, if not avoided, could result in death or serious injury.

CAUTION

Indicates a hazardous situation which, if not avoided, could result in minor or moderate injury.

All safety messages are intended to make you aware of potential hazards and how to reduce the chances of any injury. The safety message may also point out the negative consequences in case instructions are not properly followed.

IMPORTANT SAFETY INSTRUCTIONS

Read all instructions before using this air conditioner.

WARNING

Risk of Fire or Explosion

Do not store or use gasoline or other flammable vapors and liquids in the vicinity of this or any other appliance. Read product labels for flammability and other warnings.

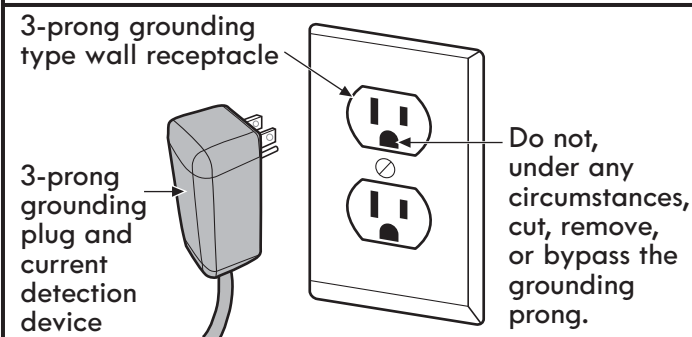
NOTE: The power supply cord with this air conditioner contains a current detection device designed to reduce the risk of fire. Refer to the Electrical Data section for operation of the current device.

In the event that the power supply cord is damaged, it cannot be repaired, and it must be replaced with a cord from the product manufacturer.

WARNING

Avoid fire hazard or electric shock.

Do not use an extension cord or an adapter plug. Do not remove any prong from the power cord.



WARNING

Electrical Requirements

The complete electrical rating of your new room air conditioner is stated on the product label. Refer to the rating when checking the electrical requirements.

- Be sure the air conditioner is properly grounded. To minimize shock and fire hazards, proper grounding is important. The power cord is equipped with a threeprong grounding plug for protection against shock hazards.

- The air conditioner must be connected to a properly grounded wall receptacle. If the wall receptacle you intend to use is not adequately grounded or protected by a time delay fuse or circuit breaker, have a qualified electrician install the proper receptacle.
- Do not run air conditioner without cabinet in place. This could result in mechanical damage within the air conditioner.
- **Do not use an extension cord or an adapter plug.**

IMPORTANT SAFETY INSTRUCTIONS

WARNING

To reduce the risk of fire, electric shock, or injury to persons when using this appliance, follow basic precautions, including the following.

Basic Safety Precautions

- Be sure the electrical supply is adequate for the model you have chosen. This information can be found on the product label, which is located on the side of the cabinet.
- If the air conditioner is to be installed in a window, you will probably want to clean both sides of the glass first. If the window is a triple-track type with a screen panel included, remove the screen completely before installation.
- During installation, make sure that the unit is secured firmly in the window and installed as detailed in the installation instructions in this Use & Care Guide. Save this manual and the installation instructions for possible future use in removing or reinstalling this unit.
- When handling the air conditioner, be careful to avoid cuts from sharp metal fins on front and rear coils.
- Use an assistant to help lift and place the air conditioner in the window.

Installation

- Do not use a damaged power cord or plug, or connect to a socket which is loose or damaged.
- Do not modify or extend the power cord.
- Do not disassemble or modify the product.
- Do not place heavy objects on the power cord, and keep the cord out of traffic areas where it presents a trip hazard.
- Plug the product into a dedicated outlet. Do not use an adapter to plug multiple appliances into one outlet.
- Do not place power cord near a heater.

Operation and Maintenance

- In the event of a gas leak, do not operate this or any other appliance. Open doors or windows to ventilate the room.
- Do not stop or start the product by inserting or pulling out the power plug.
- If the power cord needs to be replaced, the work must be performed by authorized personnel only, using genuine replacement parts.
- Unplug the product by pulling the plug head, not the power supply cord.
- Do not operate with wet hands or in a damp environment.
- Do not open the suction inlet grille of the product during operation.
- Unplug the product if strange sounds, odors, or smoke come from it.
- Turn off and unplug the unit before cleaning.
- Never touch the metal parts of the product while removing the filter.
- Do not allow water to run into electric parts of the product.
- Use a soft cloth to clean. Do not use wax, thinners, or strong detergents.
- Unplug the air conditioner when not in use for long periods.
- For repair and maintenance, contact an Authorized Service Center. See the warranty page for details or call 1-844-553-6667.

CAUTION

Installation

- Follow installation instructions exactly to avoid vibration or water leakage.

Operation and Maintenance

- This product is intended for indoor residential use only, not for industrial or other commercial applications. The warranty is void if this product is ever used for other than private household purposes.
- Do not block the air circulation/ventilation openings.
- Do not step on the unit or place objects on top of it.
- Clean the filter every two weeks. Insert the filter properly before operating.
- Do not drink water drained from the air conditioner.
- Do not insert hands or objects into the air intake or outlet during operation.
- If batteries leak onto skin or clothing, rinse affected areas well with clean water. Do not use the remote if the battery has leaked.
- If battery fluid is ingested, rinse well with water and consult a physician immediately.

IMPORTANT SAFETY INSTRUCTIONS

GROUNDING REQUIREMENTS

IMPORTANT: Please read carefully.

To Connect Electricity

WARNING

Improper connection of the equipment-grounding conductor can result in risk of electric shock. Check with a qualified electrician or service technician if you are in doubt as to whether the appliance is properly grounded. Do not modify the plug provided with the appliance. If it does not fit the outlet, have a proper outlet installed by a qualified electrician. Failure to follow these warnings can cause serious injury, fire, electric shock, or death.

Grounding Instructions

This appliance must be grounded. In the event of malfunction or breakdown, grounding will reduce the risk of electric shock by providing a path of least resistance for electric current. This appliance is equipped with a cord having an equipment-grounding conductor and grounding plug. The plug must be plugged into an appropriate outlet that is properly installed and grounded in accordance with all local codes and ordinances.

DO NOT CUT OR REMOVE THE THIRD (GROUND) PRONG FROM THE POWER PLUG.

WARNING

Risk of Fire or Explosion

- Do not use any means to accelerate the defrosting process or to clean the product, other than those recommended by the manufacturer.
- Store the appliance in a room without continuously operating ignition sources such as open flames, an operating gas appliance or an operating electric heater.
- Do not pierce or burn the appliance. Be aware that refrigerants may not contain an odor.

WARNING

- Being exposed to direct airflow for an extended period could be hazardous to your health.
- Running the fan will not prevent oxygen depletion. Make sure to open doors or windows occasionally to ventilate the room.

WARNING: This product contains chemicals known to the State of California to cause cancer and birth defects or other reproductive harm. *Wash hands after handling.*

CAUTION

Risk of Fire or Explosion

This unit contains R32, a flammable refrigerant, and has special safety precautions not normally associated with older units. Please follow all precautions and advisories.

- Use caution while handling and prevent damage to the unit. Do not put any holes into the product for any reason, as this can cause damage to the product and prevent it from cooling.
- Maintenance and cleaning of the product should be performed by trained personnel. Failure to properly clean the product can result in damage to the refrigeration system and or the electrical system.
- Keep the air circulation/ventilation openings free from obstruction.
- Service should only be performed by technicians properly trained and certified in the use of flammable refrigerants. Any service performed by unauthorized servicers/individuals will void all warranties.
- When storing the appliance, do not put in a room with any open flame appliances, such as gas water heaters or furnaces. Also keep away from electric heaters. Damaged units should be repaired before storage.

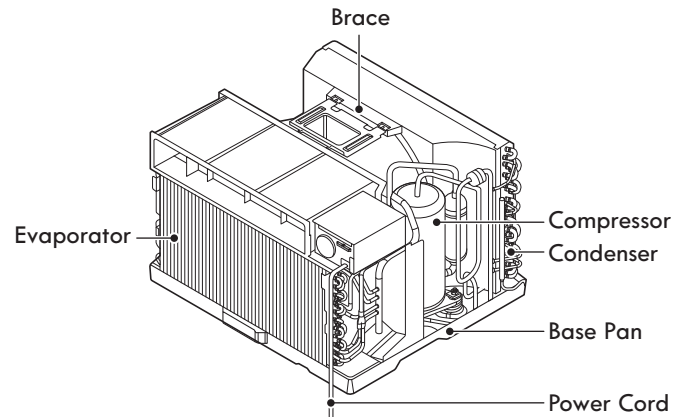
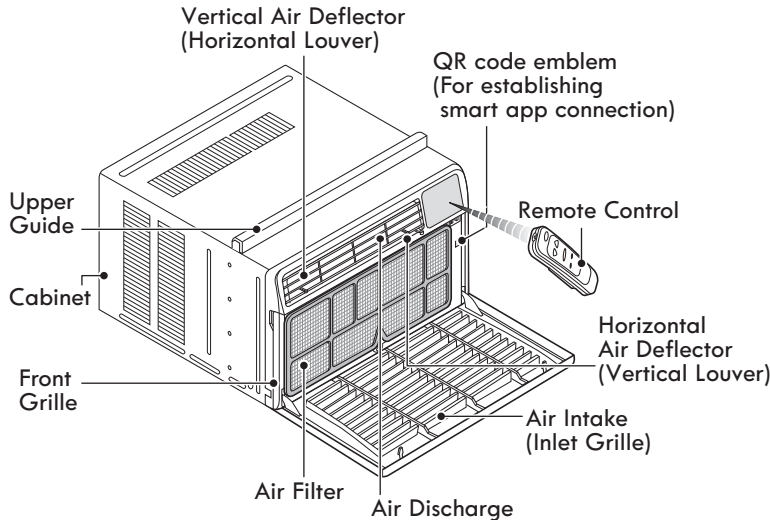
FEATURES AND BENEFITS

Key Parts and Components



WARNING

Install this appliance in accordance with National Electric Code guidelines.



Electrical Data

120 V
<p>Power cord may include a current interrupter device. Test and reset buttons are provided on the plug case. Periodically test the device by first pressing TEST and then RESET. If the TEST button does not trip or if the RESET button will not stay engaged, stop using the air conditioner and contact a qualified service technician.</p>

BTU & Wall Receptacle	Power Supply
<p>10000 BTU and 12000 BTU</p> <p style="text-align: center;"> </p> <p>Standard 120 V, 3-wire grounding receptacle rated 15 A/120 VAC/60 Hz</p>	<p>Use 15 A, time-delay fuse or 15 A circuit breaker.</p>



CAUTION

The conductors inside this cord are surrounded by shields, which monitor leakage current. These shields are not grounded. Periodically examine the cord for any damage. Do not use this product in the event the shields become exposed. Avoid shock hazard. This unit cannot be user-serviced. Do NOT open the tamper-resistant sealed portion. All warranties and performance will be voided.



WARNING

DO NOT USE EXTENSION CORDS RISK OF FIRE, SERIOUS INJURY OR DEATH.

- Do not use an extension cord with this product.
- Do not use surge protectors or multi-outlet adapters with this product.



WARNING

Never push the test button during operation. Doing so can damage the plug.

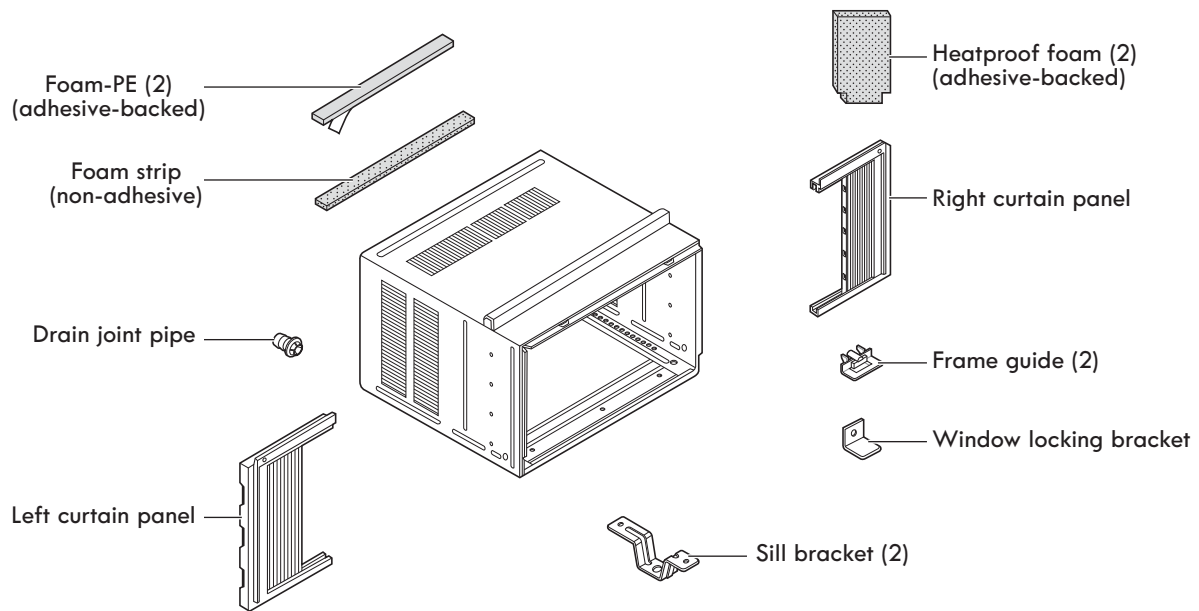
- Do not remove, modify, or immerse this plug. If this device trips, the cause should be corrected before further use.






INSTALLATION REQUIREMENTS

Key Dimensions and Specifications

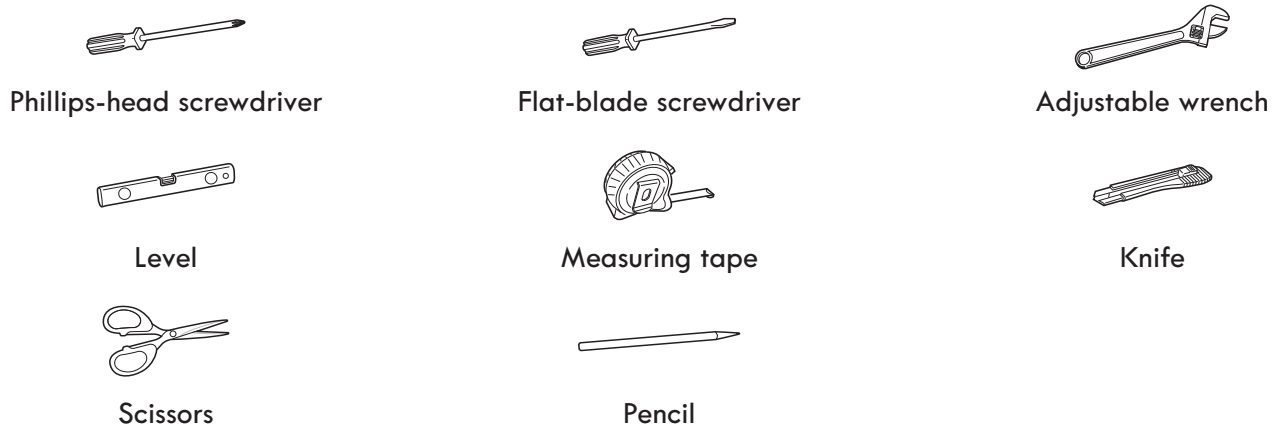
Description	Window Air Conditioner
Electrical Requirements	See electrical rating plate on unit
Dimensions (without curtain panels)	23.6 in. (W) X 22.2 in. (D) X 15 in. (H) 60 cm (W) X 56.4 cm (D) X 38.1 cm (H)
Net Weight	10000 BTU: 74 lb. (33.6 kg) / 12000 BTU: 81 lb. (36.7 kg)

Items Included



				
Type A (14)	Type B (3)	Type C (5)	Carriage Bolt (2)	Lock Nut (4)

Tools Required



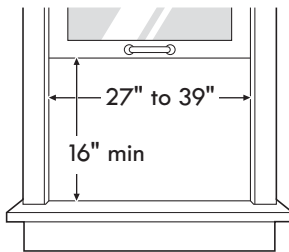
INSTALLATION INSTRUCTIONS

Window Requirements

Size

NOTE: Secure all supporting parts to firm wood, masonry, or metal.

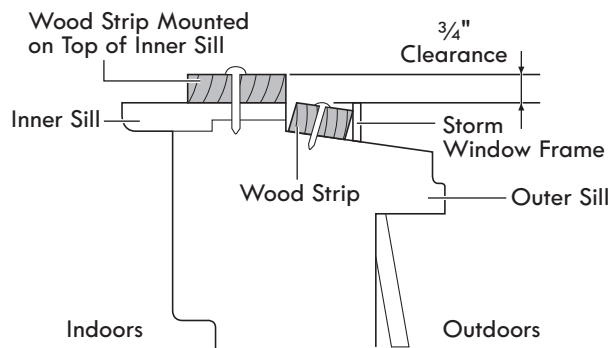
- This room air conditioner is designed for installation in standard double-hung windows with actual opening widths from 27" to 39".
- The upper and lower window sash must open sufficiently to allow a clear vertical opening of 16" from the bottom of the upper sash to the inside sill.
- The height offset between the inside sill and outside sill must be less than 1 1/4".



Clearance

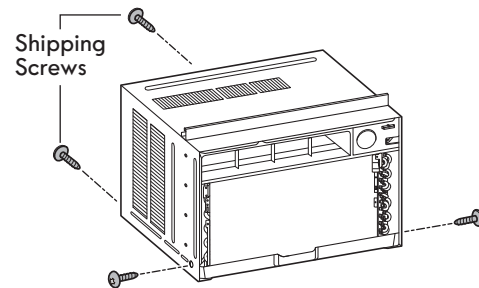
Proper clearance enhances the cooling efficiency of the product.

- 1 If a storm window presents interference, fasten a 2" wide wood strip to the inner window sill across the full width of the sill. The wood strip should be thick enough to raise the height of the window sill so that the unit can be installed without interference by the storm window frame.
- 2 (See drawing.) The top of the wood strip on the inside sill should be approximately 3/4" higher than the storm window frame or wood strip on the outside sill to help condensation to drain properly to the outside.
- 3 If necessary, install a second wood strip (same thickness as first strip) across the full width of the outer sill, flush against the back of the inner sill.

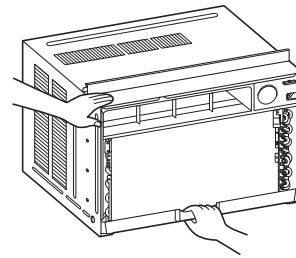


Preparation of Cabinet

- 1 Remove the 4 screws which fasten the cabinet at both sides and at the back. (2 of the screws will be used later to refasten the sides of the cabinet to the unit.)



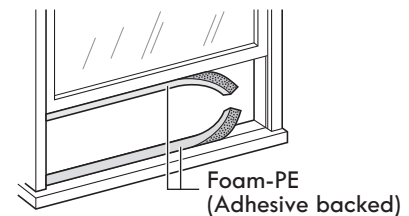
- 2 Slide the unit from the cabinet by gripping the base pan handle and pulling forward while bracing the cabinet.



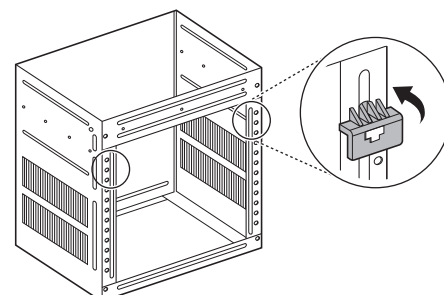
CAUTION

The unit is heavy. To prevent injury, use proper lifting techniques when pulling unit forward from cabinet. Obtain assistance from another person if possible.

- 3 Cut the window sash seals (Foam-PE) to the proper length. Peel off the backing and attach the adhesive-backed foam to the underside of the window sash and the bottom of the window frame.

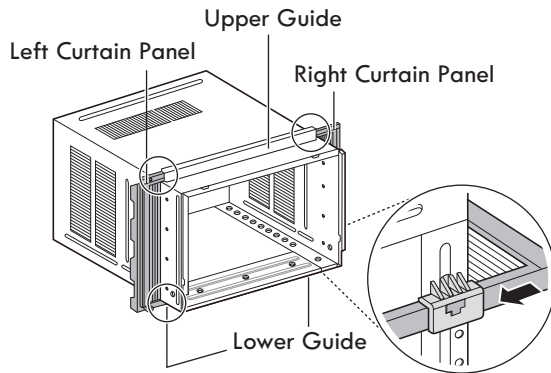


- 4 Insert the lower curtain panel guides into the bottom of the cabinet. Insert the guides so that the flange faces to the rear of the cabinet.



INSTALLATION INSTRUCTIONS

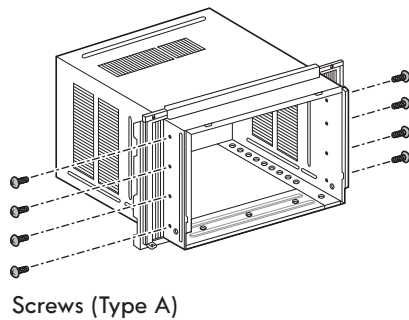
- 5 Insert the top and bottom rails of the curtain panels into the upper and lower panel guides.



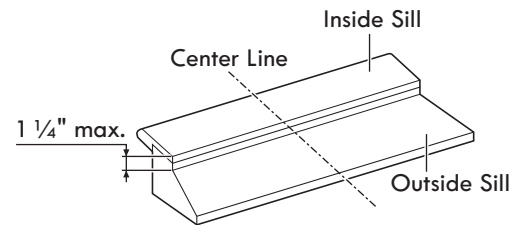
CAUTION

The lower panel guides are easily broken. Be careful with them when installing the cabinet.

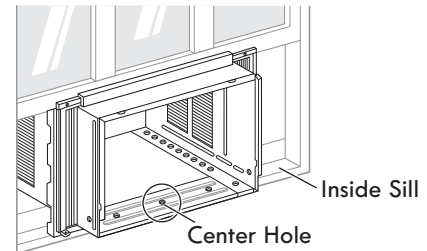
- 6 Fasten the curtain panels to the unit with 8 type A screws.



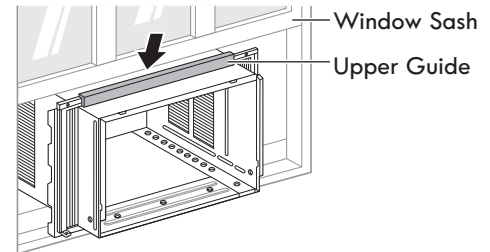
Cabinet Installation



- 1 Open the window. Mark a line on the center of the inside sill.
Carefully place the cabinet in the window and align the center hole on the cabinet bottom front with the center line marked on the window sills.

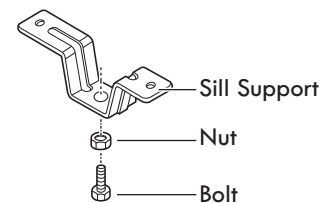


- 2 Pull the bottom window sash down behind the upper guide until they meet.



NOTE: Do not pull the window sash down so tightly that the movement of the curtain panels is restricted.

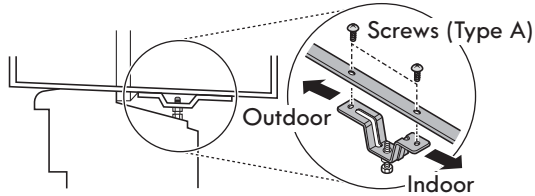
- 3 Loosely assemble each sill support.



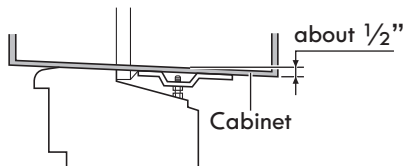
NOTE: If the distance to the outer window sill is not that deep, you may not need the bolt and nut.

INSTALLATION INSTRUCTIONS

- 4 Use 2 type A screws to attach a sill support to the cabinet track holes on one side. Use the cabinet track holes that will place the sill support nearest to the outer edge of the sill. Repeat with the second sill support on the opposite side of the cabinet.



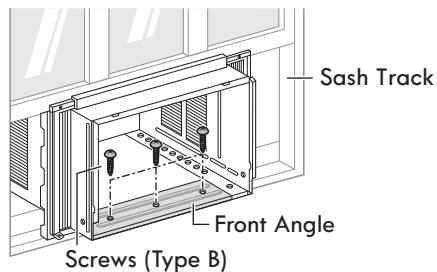
- 5 Install the cabinet with a slight tilt (about 1/2") downward on the outside. Use the bolt and nut to adjust the tilt of the cabinet.



CAUTION

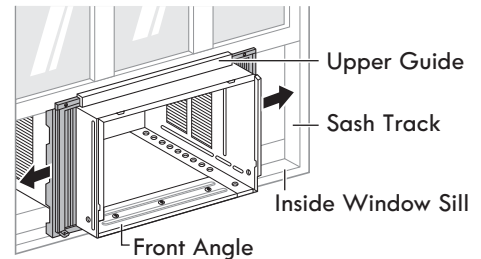
Do not drill a hole in the bottom pan. The product is designed to operate with approximately 1/2" of water in the bottom pan. There is no need to add water if the pan is dry.

- 6 Attach the cabinet to the inside sill by driving 3 type B screws through the cabinet front angle and into the sill.



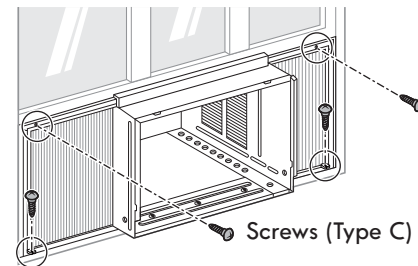
NOTE: If the gap between the bottom of the cabinet and the inside sill is too great, install a wood strip to make up the difference. See the Clearance instructions for details.

- 7 Pull each curtain panel out to the side until it meets the window sash track. Pull the bottom window sash down behind the upper guide until it meets the top of the cabinet.

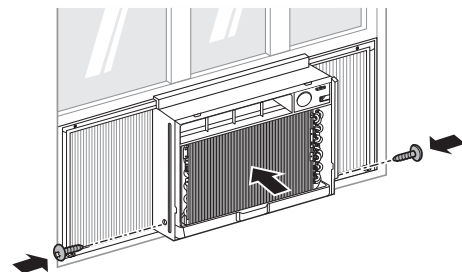


NOTE: Do not pull the window sash down so tightly that the movement of the curtain panels is restricted.

- 8 Use a screwdriver or power drill to attach the curtain panels to the window sashes by driving type C screws into the sashes through the cabinet holes shown in the figure below.



- 9 With the aid of an assistant, slide the unit into the cabinet. Reinstall the screws removed from the cabinet sides in step 1.

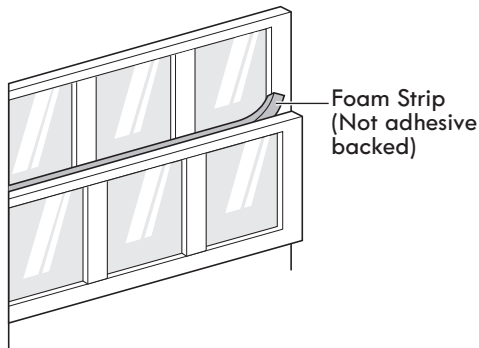


CAUTION

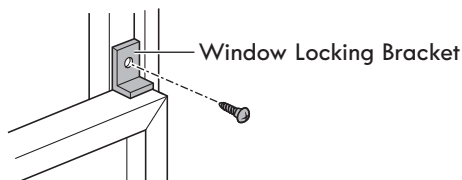
- The unit is heavy. Use an assistant to help lift the unit and set it in place. Lifting and maneuvering the unit by yourself could result in injury.
- Hold the unit firmly in place until the window frame is lowered to meet the top surface of the unit directly behind the upper guide. If the unit falls from the window, it could cause personal injury or property damage.

INSTALLATION INSTRUCTIONS

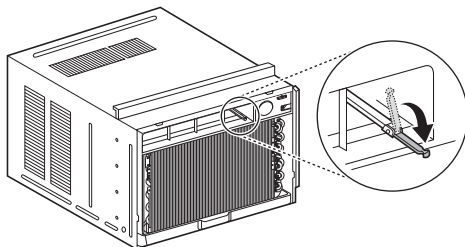
- 10 Cut the non-adhesive foam strip to the proper length and insert it between the upper window sash and the lower window sash.



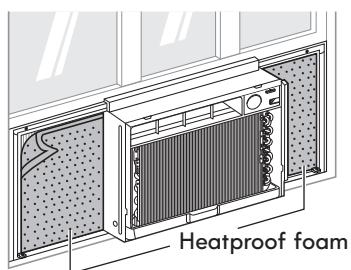
- 11 Attach the window locking bracket with a type C screw.



- 12 Before installing the front grille, fold out the vent control lever located to the left of the control panel as shown.

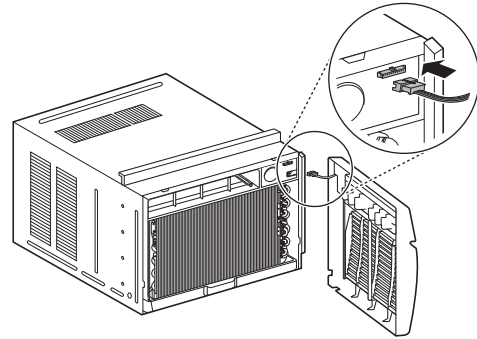


- 13 Cut the adhesive-backed heatproof foam to match the size of the curtain panels. Remove the backing from the heatproof foam and attach it to the curtain panels.

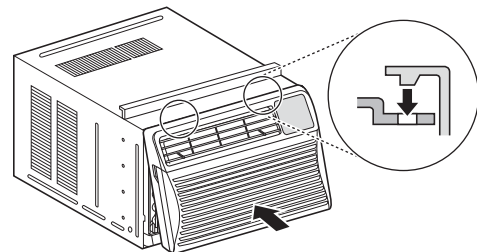


NOTE: The heatproof foam improves the cooling capability of the air conditioner.

- 14 Connect the wire harness from the front grille assembly to the air conditioner.

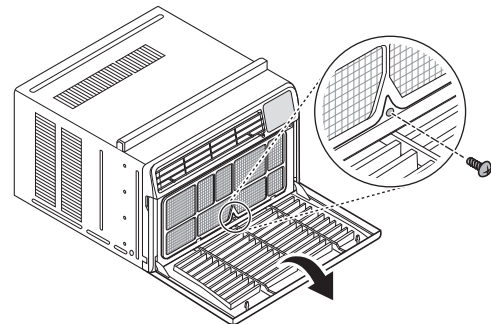


- 15 Attach the front grille assembly to the cabinet by inserting the grille tabs into the slots on the front of the cabinet. Push the grille in until it snaps into place.



NOTE: Carefully guide the vent control lever through the grille as you push the grille in.

- 16 Open the air inlet grille and secure the front grille assembly with 1 type A screw through the bottom of the front grille. (There are 2 type A screws packed in a small bag. Use one and store one as a spare.)



The window installation of the room air conditioner is now complete. See the Electrical Data section for information on attaching the power cord to an electrical outlet.

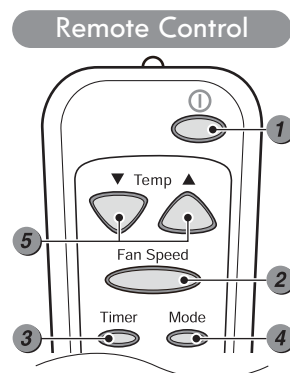
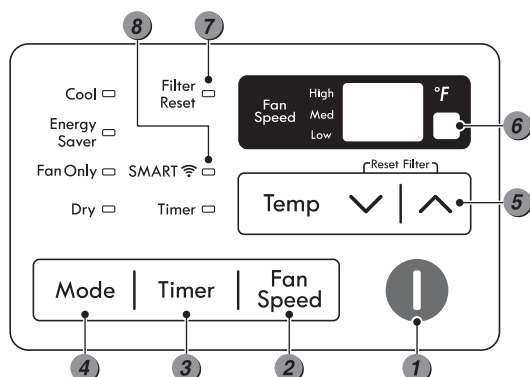
HOW TO USE



WARNING

To reduce the risk of fire, electric shock, or injury to persons, read and follow this entire Use & Care Guide, including the Important Safety Instructions, before operating this air conditioner.

Control Panel and Remote Control



1 POWER

Press to turn the air conditioner ON or OFF.

2 FAN SPEED BUTTON

Press to set the fan speed to Low, Medium, or High. The display will show one, two or three bars.

3 DELAY ON/OFF TIMER

Delay ON - When the air conditioner is off, set it to automatically turn on from 1 to 24 hours later, at its previous mode and fan settings.

Delay OFF - When the air conditioner is on, set it to automatically turn off from 1 to 24 hours later.

Each press of the Timer button advances the timer by 1 hour. After the last press the display returns to the temperature setting.

4 OPERATION MODE BUTTON

- Press the Mode button to cycle between 4 types of air conditioner operation: Cool / Energy Saver / Fan Only / Dry.

Cool - This mode is ideal on hot days to cool and dehumidify the room quickly. Use the Temp \wedge | \vee buttons to set the desired room temperature and use the Fan Speed button to set the desired fan circulation speed.

Energy Saver - In this mode the compressor and fan turn off when the set temperature is achieved. Approximately every 3 minutes the fan turns on to allow the unit sensor to accurately determine if more cooling is needed.

Fan Only - In this mode the fan circulates air but the compressor does not run. Use the Fan Speed button to set fan speed to High, Medium or Low. In this mode, you can not adjust the set temperature.

Dry - This mode is ideal for rainy and damp days to dehumidify the room rather than cooling it significantly. Humidity is removed from the room by the combination of compressor operation and the fan speed fixed at Low. The compressor and fan turn off once the set temperature is reached. Fan speed cannot be adjusted in Dry mode.

5 TEMPERATURE CONTROL

The thermostat monitors room temperature to maintain the desired temperature. The thermostat can be set between 60 °F–86 °F (16 °C–30 °C). Press \wedge or \vee arrows to increase or decrease temperature setting.

6 REMOTE CONTROL SENSOR

Receives signal from Remote Control.

7 FILTER RESET

The Filter Reset LED lights up to notify you that the filter needs to be cleaned. After cleaning the filter, press Temp \wedge and \vee together on the control panel to turn off the Filter Reset light. (The filter reset must be done using the control panel, not the remote control.)

NOTE: This feature is a reminder to clean the air filter for more efficient operation. The LED light turns on after 250 hours of operation.

8 SMART CONNECT FUNCTION

SMART icon LED turns ON when unit is successfully connected to the internet.

AUTO RESTART

If the air conditioner turns off due to a power outage, it will restart automatically once the power is restored, with the same settings as were set before the unit turned off.

ENERGY SAVER

The unit defaults to the Energy Saver mode each time the unit is switched on except in Fan mode or when power is restored after an electrical power outage.

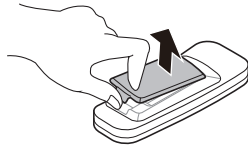


CAUTION

The remote control will not function properly if the AC infrared sensor is exposed to direct light or if there are obstacles between the remote controller and the air conditioner.

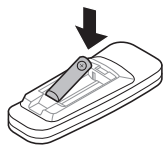
Inserting the Remote Control Battery

- 1 Push the release in with your thumb and remove the cover on the back of the remote control.



- 2 Insert one new AAA 1.5 V battery, paying attention to the polarity.

NOTE: One new battery is supplied with the air conditioner for use in the remote control.



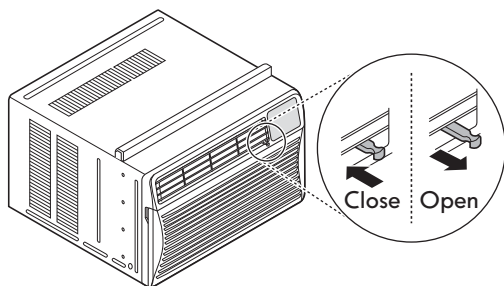
- 3 Reattach the cover on the remote control.

NOTE

- Do not use a rechargeable battery. Make sure that the battery is new.
- In order to prevent discharge, remove the battery from the remote control if the air conditioner is not going to be used for an extended period of time.
- Keep the remote control away from extremely hot or humid places.
- To maintain optimal operation of the remote control, the remote sensor should not be exposed to direct sunlight.

Ventilation

Push the ventilation lever in to the closed position to maintain the best cooling performance. Pull the ventilation lever out to open the vent and draw fresh air into the room.

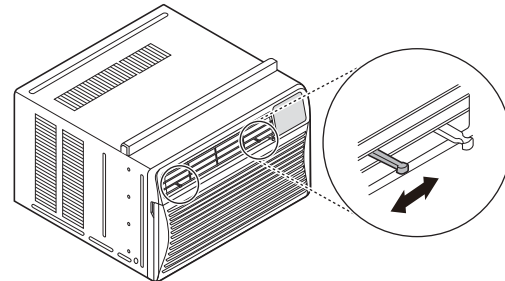


Air Direction

Airflow can be adjusted by changing the direction of the air conditioner's louvers.

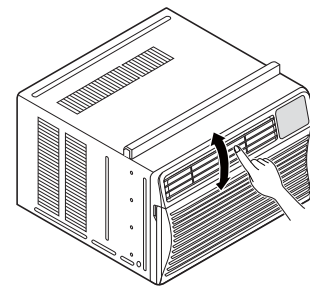
Adjusting Horizontal Airflow Direction

The horizontal airflow is adjusted by moving the lever to the left or right.



Adjusting Vertical Airflow Direction

Touch the horizontal louvers to adjust the airflow up or down.



NOTE: When the weather is extremely hot, the unit may turn off automatically to protect the compressor.

HOW TO USE

Additional Features

Drain Pipe

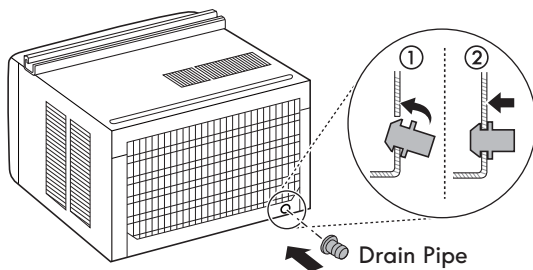
In humid weather, excess water may cause the base pan to overflow. To drain the water, remove the drain cap and secure the drain pipe to the rear hole of the base pan.



CAUTION

Take care when inserting the drain pipe. Push away from the sharp fins to avoid slipping and injuring yourself.

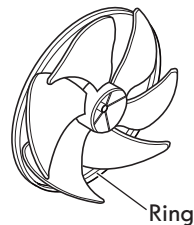
Press the drain pipe into the hole by pushing down and away from the fins to avoid injury.



Slinger Fan

This air conditioner is equipped with a slinger fan. (See drawing.)

The fan's outer ring picks up the condensed water from the base pan if the water level gets high enough. The water is then picked up by the fan and expelled through the condenser, making the air conditioner more efficient.



Smart Features

Getting Connected

You need the following devices and applications to use the smart features of your air conditioner.

Required Devices: A wireless connection, Kenmore Smart AC app, and a mobile device.

Required Application: Kenmore Smart AC app.

IMPORTANT: You must download the Kenmore Smart AC app to your mobile device, connect your Kenmore Elite Smart appliance to the internet, and register the appliance to your account by following the prompts.

Connecting the Air Conditioner

Refer to the Quick Start Guide that came with your smart appliance for detailed instructions on creating a Kenmore account and setting up the appliance for connected operation from your mobile device. For additional assistance, visit <http://www.kenmore.com/smart>

Remote Operation

Use a mobile device to control the air conditioner remotely. Start, stop, change modes, adjust temperature, and set schedules, all from a mobile device.

NOTE: When successfully connected to the internet, the SMART icon LED on the unit control panel will turn ON.

FCC Notice

(for transmitter module contained in this product)

This equipment has been tested and found to comply with the limits for a Class B digital device, pursuant to Part 15 of the FCC Rules. These limits are designed to provide reasonable protection against harmful interference in a residential installation. This equipment generates, uses, and can radiate radio frequency energy and, if not installed and used in accordance with the instructions, may cause harmful interference to radio communications. However, there is no guarantee that interference will not occur in a particular installation. If this equipment does cause harmful interference to radio or television reception, which can be determined by turning the equipment off and on, the user is encouraged to try to correct the interference by one or more of the following measures:

- Reorient or relocate the receiving antenna.
- Increase the separation between the equipment and receiver.
- Connect the equipment to an outlet on a circuit different from that to which the receiver is connected.
- Consult the dealer or an experienced radio/TV technician for help.

This device complies with part 15 of the FCC rules. Operation is subject to the following two conditions:

- (1) this device may not cause harmful interference, and
- (2) this device must accept any interference received, including interference that may cause undesired operation of the device.

Any changes or modifications in construction of this device which are not expressly approved by the party responsible for compliance could void the user's authority to operate the equipment.

FCC RF Radiation Exposure Statement

This equipment complies with FCC radiation exposure limits set forth for an uncontrolled environment. This transmitter must not be co-located or operating in conjunction with any other antenna or transmitter.

This equipment should be installed and operated with a minimum distance of 20 cm (7.8 inches) between the antenna and your body. Users must follow the specific operating instructions for satisfying RF exposure compliance.

Wireless LAN Module Specifications

Operating Frequency	2.412–2.462 GHz
Complies with IEEE 802.11b/g/n	

Open Source Software Notice

To obtain the source code that is contained in this product under open source licenses, visit <https://kenmore.com/opensource>.

In addition to the source code, all referred license terms, warranty disclaimers, and copyright notices are available for download.

CARE AND CLEANING



WARNING

To reduce the risk of fire, electric shock, or injury to persons, read and follow this entire Use & Care Guide, including the Important Safety Instructions, before operating this air conditioner.

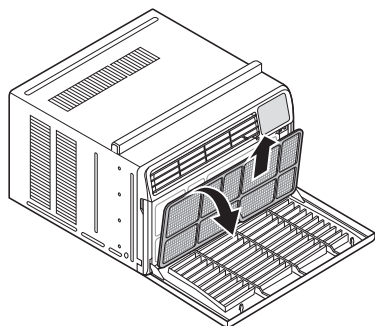
- **Unplug the air conditioner before cleaning to avoid the risk of electric shock.** Failure to follow this warning can cause serious injury, fire, electric shock, or death.
- **Never use harsh chemicals, abrasive cleaners, or solvents to clean the air conditioner.** They will damage the finish.

Air Filter

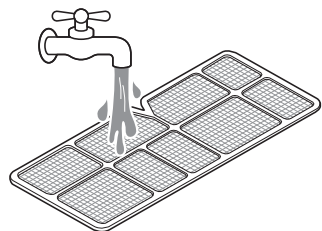
Check the air filter at least twice a month to see if cleaning is necessary. Trapped particles in the filter can build up and block the airflow, reducing cooling capacity and causing an accumulation of frost on the evaporator.

Cleaning the Air Filter

- 1 Pull down the air inlet grille by placing fingertips in the depressions at the top of each side. Grasp the fingertip tab at the top middle of the air filter and pull the filter forward then up to remove.



- 2 Wash the filter in lukewarm water (below 104°F/40°C).

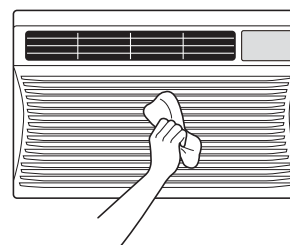


- 3 Gently shake the excess water from the filter and reinstall it.

Cleaning the Air Conditioner

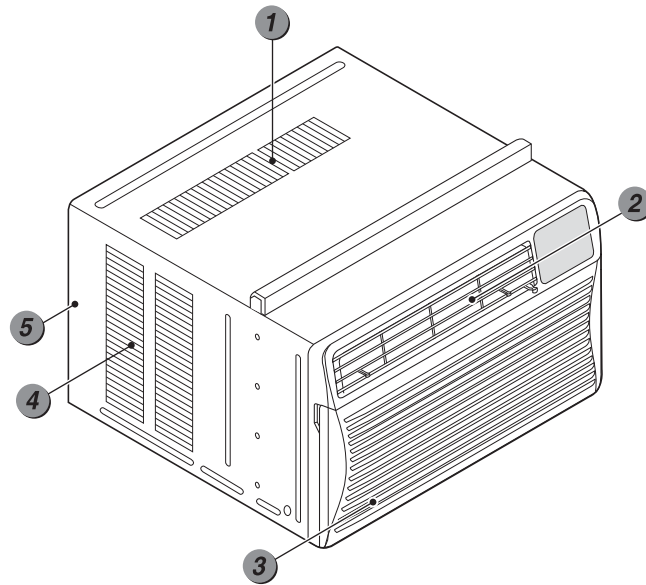
Wipe the front grille and inlet grille with a cloth dampened in a mild detergent solution.

Clean the cabinet with a mild soap or detergent and lukewarm water, then polish with liquid appliance wax.



TROUBLESHOOTING GUIDE

Normal Sounds You May Hear



NOTE: Do not drill any holes in the base pan to eliminate these normal sounds. Doing so will void the warranty.

- 1 High Pitched Whine**
Today's high efficiency compressors may have a high-pitched whine during the cooling cycle.
- 2 Sound of Rushing Air**
At the front of the unit, you may hear the sound of rushing air being moved by the fan.
- 3 Gurgle/Hiss**
Gurgling or hissing noise may be heard due to refrigerant passing through evaporator during normal operation.
- 4 Pinging or Swishing**
Droplets of water hitting condenser during normal operation may cause pinging or swishing sounds.
- 5 Vibration**
Unit may vibrate and make noise because of poor wall or window construction or incorrect installation.

TROUBLESHOOTING GUIDE

Before Calling for Service

If your air conditioner does not function properly or does not function at all, check the following before you call for service. If you cannot find a solution, turn off the air conditioner and call the Kenmore Customer Care Hotline at 1-844-553-6667.

Problem	Possible Cause	Solutions
Air conditioner turns on and off rapidly.	Outside temperature is extremely high.	Set fan speed at the fastest setting for maximum cooling.
	Dirty air filter. Airflow is restricted.	Clean the air filter.
Noise when unit is cooling.	Window is vibrating due to improper installation.	Refer to the installation instructions or check with the installer.
	Normal sound of air movement.	This is normal. If too loud, set the fan to a lower speed.
Remote will not operate air conditioner.	The remote control is out of range of the sensor.	Hold the remote control within 20 feet and a 120° radius of the front of the air conditioner.
	Path between sensor and remote is blocked.	Remove the obstruction or stand where there is a clear path between the remote and the sensor.
	Battery is not installed properly.	Reinstall battery, checking the polarity.
	Sensor is in direct path of sunlight.	Position a piece of furniture or other object to cast a shadow over the sensor.
Room too cold.	Set temperature is too low.	Increase the set temperature.
Air conditioner does not start.	The air conditioner is unplugged.	Make sure the air conditioner plug is pushed completely into the outlet.
	The current interrupter device on the power cord has tripped.	Press the RESET button located on the power cord plug. If the RESET button will not stay engaged, discontinue use of the air conditioner and contact a qualified service technician.
	House fuse has blown or circuit breaker tripped.	Check the house fuse/circuit breaker box and replace the fuse or reset the breaker.
	Temperature setting is warmer than room temperature.	Set temperature to a lower setting.
	Unit was turned OFF and ON too quickly.	Built-in delay will prevent compressor from turning on for 3 minutes.
Air conditioner blows fuses or trips circuit breaker.	Too many electrical devices are being used on the same circuit.	Unplug or relocate electrical devices using same circuit.
	Unit is rated over 7.5 Amps.	Unit should be plugged into a single circuit outlet.
	Unit is plugged into an extension cord.	Do not use an extension cord to run the unit.
	Unit was turned OFF and ON too quickly.	Turn unit OFF and wait 3 minutes before restarting.

TROUBLESHOOTING GUIDE

Problem	Possible Cause	Solutions
Air conditioner does not cool as it should.	Airflow is restricted.	Make sure there are no curtains, blinds, or furniture blocking the front of the air conditioner.
	The temperature control is not set correctly.	In COOL mode, press Decrease (v).
	The air filter is dirty.	Clean the filter at least every 2 weeks. (See the Care and Cleaning section.)
	The room was very hot.	After the air conditioner is turned on, allow time for the room to cool down.
	Cold air is escaping.	Check for open furnace floor registers and cold air returns.
	Cooling coils have iced up.	See “Air conditioner freezing up” below.
Air conditioner freezing up.	The cooling coils are iced over.	Ice may block the airflow and prevent the air conditioner from properly cooling the room. Set the mode control to High Fan or High Cool.
Water drips outside.	Room is hot and humid.	This is normal when the weather is hot and humid.
Water drips inside.	Air conditioner is not installed properly for water drainage.	Make sure the air conditioner slants slightly downward from the front of the cabinet to the rear. Reposition or shim the cabinet as necessary. DO NOT drill into the drain pan.
Water collects in base pan.	Moisture is removed from the air and drains into the base pan.	This is normal. It will occur for short periods in areas where there is low humidity and for longer periods in very humid areas.

For detailed information on the Energy Star program, visit www.energystar.gov.

If “CH” appears in the display, call the Kenmore Customer Care Hotline at 1-844-553-6667.

WARRANTY

Kenmore Elite Limited Warranty

WITH PROOF OF SALE, the following warranty coverage applies when this appliance is correctly installed, operated and maintained according to all supplied instructions.

FOR ONE YEAR from the date of sale this appliance is warranted against defects in material or workmanship. A defective appliance will receive free repair or replacement at option of seller.

For warranty coverage details to obtain free repair or replacement, visit the web page:
www.kenmore.com/warranty

This warranty applies for only 90 DAYS from the date of sale if this appliance is ever used for other than private household purposes.

This warranty covers ONLY defects in material and workmanship, and will NOT pay for:

1. Expendable items that can wear out from normal use, including but not limited to filters, belts, bags or screw-in base light bulbs.
2. A service technician to clean or maintain this appliance, or to instruct the user in correct appliance installation, operation and maintenance.
3. Service calls to correct appliance installation not performed by Sears authorized service agents, or to repair problems with house fuses, circuit breakers, house wiring, and plumbing or gas supply systems resulting from such installation.
4. Damage to or failure of this appliance resulting from installation not performed by Sears authorized service agents, including installation that was not in accord with electrical, gas or plumbing codes.
5. Damage to or failure of this appliance, including discoloration or surface rust, if it is not correctly operated and maintained according to all supplied instructions.
6. Damage to or failure of this appliance, including discoloration or surface rust, resulting from accident, alteration, abuse, misuse or use for other than its intended purpose.
7. Damage to or failure of this appliance, including discoloration or surface rust, caused by the use of detergents, cleaners, chemicals or utensils other than those recommended in all instructions supplied with the product.
8. Damage to or failure of parts or systems resulting from unauthorized modifications made to this appliance.
9. Service to an appliance if the model and serial plate is missing, altered, or cannot easily be determined to have the appropriate certification logo.

Disclaimer of implied warranties; limitation of remedies

Customer's sole and exclusive remedy under this limited warranty shall be product repair or replacement as provided herein. Implied warranties, including warranties of merchantability or fitness for a particular purpose, are limited to one year or the shortest period allowed by law. Seller shall not be liable for incidental or consequential damages. Some states and provinces do not allow the exclusion or limitation of incidental or consequential damages, or limitation on the duration of implied warranties of merchantability or fitness, so these exclusions or limitations may not apply to you.

This warranty applies only while this appliance is used in the United States.

This warranty gives you specific legal rights, and you may also have other rights which vary from state to state.

Sears Brands Management Corporation, Hoffman Estates, IL 60179

NOTES

ÍNDICE DE CONTENIDOS

INSTRUCCIONES DE SEGURIDAD IMPORTANTES.....	23-25
REQUERIMIENTOS DE PUESTA A TIERRA.....	25
CARACTERÍSTICAS Y BENEFICIOS	
Partes y componentes clave.....	26
Información eléctrica.....	26
REQUERIMIENTOS DE INSTALACIÓN	
Especificaciones y dimensiones clave.....	27
Artículos incluidos.....	27
Herramientas necesarias.....	27
INSTRUCCIONES DE INSTALACIÓN	
Requerimientos de la ventana.....	28
Preparación del gabinete.....	28
Instalación del gabinete.....	29-31
INSTRUCCIONES DE USO	
Panel de control y control remoto.....	32
Insertar la batería del control remoto.....	33
Ventilación.....	33
Dirección del aire.....	33
Características adicionales.....	34
Características inteligentes.....	34
Aviso de conformidad con la FCC.....	35
Especificaciones del módulo WLAN.....	35
Notificación de software de fuente abierta.....	35
LIMPIEZA Y MANTENIMIENTO	
Filtro de aire.....	36
Limpieza del aire acondicionado.....	36
GUÍA DE RESOLUCIÓN DE PROBLEMAS	
Sonidos normales que puede llegar a escuchar.....	37
Antes de llamar al servicio técnico.....	38-39
GARANTÍA.....	40
SERVICIO TÉCNICO.....	CONTRAPORTADA

REGISTRO DEL PRODUCTO

En el espacio a continuación, registre la fecha de compra, modelo y número de serie de su producto. Usted encontrará el modelo y número de serie impresos en la placa de identificación localizada en la parte externa del gabinete, o detrás del filtro en la parte inferior de la unidad. Use una linterna para ayudarse a leer los números, o remueva la parte frontal del gabinete como se indica en la sección de Mantenimiento y Limpieza.

Mantenga esta información a la mano en caso de contactar con Sears con respecto a su producto.

No. de Modelo _____

Fecha de Compra _____

No. de Serie _____

Guarde estas instrucciones y su recibo de compra para futuras referencias.

MENSAJES DE SEGURIDAD

Existen muchos mensajes de seguridad importantes tanto en este manual como en su aparato. Siempre lea y haga caso a todos los mensajes de seguridad.



Este símbolo representa una alerta de seguridad. Este símbolo le alerta sobre posibles riesgos que pueden resultar en daños materiales o lesiones corporales severas, e incluso la muerte. Encontrará todos los mensajes de seguridad detrás del símbolo de alerta de seguridad y de la palabra ADVERTENCIA o PRECAUCIÓN.



ADVERTENCIA

Indica una situación de riesgo que, si no se evita, puede resultar en lesiones graves o incluso la muerte.



PRECAUCIÓN

Indica una situación de riesgo que, si no se evita, puede resultar en lesiones leves o moderadas.

Todos los mensajes de seguridad le notificarán sobre el posible riesgo, le indicarán cómo reducir la probabilidad de lesión y le indicarán lo que podría suceder de no seguirse las instrucciones.

INSTRUCCIONES DE SEGURIDAD IMPORTANTES

Lea todas las instrucciones antes de usar el aire acondicionado.



ADVERTENCIA

Riesgo de Incendio o Explosión

No almacene o use gasolina u otros vapores y líquidos inflamables en proximidad de este u otro dispositivo. Lea las etiquetas del producto para información sobre inflamabilidad y otras advertencias.

NOTA: El cable de alimentación de este aire acondicionado contiene un dispositivo detector de corriente diseñado para reducir el riesgo de incendio. Consulte la sección Información Eléctrica para la operación del dispositivo actual.

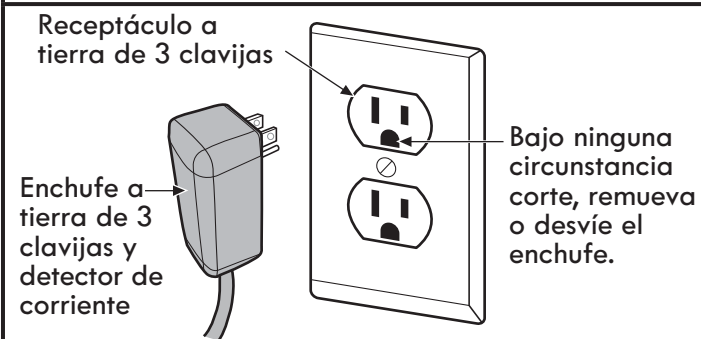
Los cables de alimentación dañados no pueden repararse, por lo que deben ser reemplazados con otro cable del mismo fabricante del producto.



ADVERTENCIA

Evite riesgo de incendios o choque eléctrico.

No use extensiones ni adaptadores. No remueva las clavijas del cable de alimentación.



ADVERTENCIA

Pequerimientos eléctricos

Los valores eléctricos completos de su nuevo aire acondicionado de pared están establecidos en la placa con el número de serie del producto. Observe los valores al verificar los requerimientos eléctricos.

- Asegúrese de que el aire acondicionado está conectado a tierra en forma correcta. Para minimizar riesgos de choque o incendio, es importante tener una buena conexión a tierra. El cable de alimentación está equipado con un enchufe a tierra de tres clavijas que proporciona protección contra riesgo de choque.

- El aire acondicionado debe estar conectado a un receptáculo a tierra de pared adecuado. Si el receptáculo de pared que pretende usar no está conectado a tierra en forma adecuada, o no está protegido mediante un circuito o fusible de acción retardada, solicite a un electricista que instale el receptáculo adecuado.
- No ponga en funcionamiento el aire acondicionado si el gabinete no está en su sitio. Esto podría provocar daños mecánicos al aire acondicionado.
- **No use extensiones ni adaptadores.**

INSTRUCCIONES DE SEGURIDAD IMPORTANTES

ADVERTENCIA

Para reducir el riesgo de incendio, choque eléctrico o lesiones a personas durante el uso de este dispositivo, siga las siguientes precauciones básicas:

Precauciones básicas de seguridad

- Asegúrese de que las instalaciones eléctricas son adecuadas para el modelo que escogió. Puede ver esta información en la placa del fabricante que está en un costado del gabinete.
- Si instalará el aire acondicionado en una ventana, limpie primero ambas caras del vidrio. Si la ventana es de triple serie con pantalla incluida, remueva la pantalla por completo antes de la instalación.
- Durante la instalación, asegúrese de que la unidad esté asegurada firmemente en la ventana e instalada como se detalla en las instrucciones de instalación de esta Guía de uso y cuidado. Guarde este manual para futura referencia o para quitar o reinstalar esta unidad.
- Para evitar posibles cortes, sea cuidadoso al manipular las aletas metálicas en las bobinas delanteras y traseras.
- Pida a alguien que le ayude a elevar el aire acondicionado y colocarlo en la ventana.

Instalación

- No use cables de alimentación o clavijas dañados ni conecte el dispositivo a enchufes flojos o dañados.
- No modifique o extienda el cable de alimentación.
- No desensamble o modifique el producto.
- No coloque objetos pesados sobre el cable de alimentación y mantenga el mismo fuera de áreas de movimiento constante, para evitar riesgo de caídas.
- Conecte el producto a un tomacorriente específico. No use adaptadores para conectar múltiples dispositivos en un tomacorriente.
- No coloque el cable de alimentación cerca de un calentador.

Operación y mantenimiento

- De haber una fuga de gas, no opere este dispositivo ni ningún otro. Abra ventanas y puertas para ventilar la habitación.
- No encienda o detenga el funcionamiento enchufando o desenchufando el cable de energía.
- Si el cable de alimentación se daña, este debe ser reemplazado por el fabricante o su agente de servicio autorizado, usando piezas genuinas.
- Desconecte el producto jalando la cabeza del enchufe y no el cable de alimentación.
- No opere el producto con las manos mojadas o en ambientes húmedos.
- Cuando el producto esté en funcionamiento, no abra la rejilla de entrada de la bomba de succión.
- Si el producto emite sonidos u olores extraños, o si sale humo de él, desconéctelo.
- Apague y desconecte el dispositivo para su limpieza.
- Al remover el filtro, nunca toque las partes metálicas.
- No permita que circule agua dentro de las partes eléctricas del producto.
- Para limpiar el producto use un paño suave. No use ningún tipo de ceras, disolventes o detergentes fuertes.
- Desconecte el aire acondicionado cuando no lo use durante largos periodos de tiempo.
- Para reparaciones y mantenimiento, contacte con un Centro de Servicios Autorizado. Para más detalles, consulte la página de la garantía o llame al 1-844-553-6667.

PRECAUCIÓN

Instalación

- Para evitar vibraciones o fugas de agua, siga las instrucciones de instalación en forma exacta.

Operación y mantenimiento

- Este producto está destinado únicamente para uso residencial, no para uso industrial ni otras aplicaciones comerciales. El uso del producto con fines distintos al uso residencial anulará la garantía de forma inmediata.
- No obstruya las entradas de ventilación ni la circulación del aire.

- No pise la unidad ni coloque objetos sobre de ella.
- Limpie el filtro cada dos semanas. Inserte el filtro en forma adecuada antes de operar el producto.
- No beba el agua del depósito de drenaje del aire acondicionado.
- No introduzca las manos u otros objetos en la entrada o salida de aire durante la operación.
- Si el líquido de las baterías entrase en contacto con su piel o ropa, enjuague bien las áreas afectadas con agua limpia. No use el control remoto si las baterías han experimentado fugas.
- En caso de ingesta del líquido de las baterías, enjuague bien su boca con agua y consulte de inmediato al médico.

INSTRUCCIONES DE SEGURIDAD IMPORTANTES

REQUERIMIENTOS DE PUESTA A TIERRA

IMPORTANTE: Lea con cuidado.

Conexión a la electricidad

ADVERTENCIA

La conexión errónea del conductor de tierra del equipo puede resultar en choque eléctrico severo. Si tiene alguna duda sobre si el dispositivo está bien conectado a tierra, verifíquelo con un electricista calificado o técnico de servicio. No modifique la clavija que viene con el dispositivo. Si no cabe en el enchufe, pida a un electricista calificado que instale un enchufe adecuado. El hacer caso omiso de estas advertencias puede resultar en lesiones graves, incendios, choque eléctrico, e incluso la muerte.

Instrucciones de puesta a tierra

Este dispositivo debe conectarse a tierra. En caso de mal funcionamiento o falla, la conexión a tierra reducirá el riesgo de choque, pues proporciona una ruta de menor resistencia para la corriente eléctrica. Este dispositivo está equipado con un cable que cuenta con un conductor a tierra y enchufe de conexión a tierra para el equipo. El equipo debe estar conectado a un tomacorriente adecuado que haya sido instalado en forma correcta y que tenga conexión a tierra de conformidad con todos los códigos y las normas locales.

NO CORTE NI REMUEVA LA TERCER PATA DE LA CLAVIJA (PUESTA A TIERRA) DEL CABLE.

ADVERTENCIA

Riesgo de incendio o explosión

- No use ningún agente para acelerar el proceso de deshielo o para limpiar el producto. Use solo aquellos recomendados por el fabricante.
- Guarde el dispositivo en una habitación donde no haya fuentes que operen en forma continua con fuentes de ignición como flamas abiertas, dispositivos que operen con gas o calentadores eléctricos en funcionamiento.
- No perforo ni queme el dispositivo. Tenga en cuenta que los refrigerantes pueden no tener olor.

ADVERTENCIA

- La exposición prolongada al flujo directo de aire puede ser dañino para su salud.
- El uso de un ventilador no previene contra el agotamiento de oxígeno. Asegúrese de abrir las puertas o ventanas de manera ocasional para ventilar la habitación.

ADVERTENCIA: Este producto contiene químicos que al conocimiento del Estado de California producen cáncer y defectos de nacimiento u otros daños reproductivos. **Lávese bien las manos después de manipular el producto.**

PRECAUCIÓN

Riesgo de incendio o explosión

Esta unidad contiene R32, un refrigerante inflamable, y requiere de precauciones de seguridad específicas que no coinciden con las de unidades anteriores. Por favor, siga todas las precauciones y advertencias.

- Pare prevenir daños a la unidad, sea cuidadoso al manejarla. Por ningún motivo perforo el producto, ya que esto puede dañarlo y dañar su capacidad de enfriamiento.
- Tanto la limpieza como el mantenimiento de la unidad deberán ser realizados por personal capacitado. La limpieza inadecuada del producto puede resultar en daños al sistema de refrigeración y al sistema eléctrico.
- No obstruya las entradas de ventilación ni la circulación del aire.
- El servicio técnico deberá ser gestionado únicamente por técnicos capacitados y certificados en el uso de refrigerantes inflamables. Todo servicio realizado por individuos/prestadores de servicios no autorizados resultará en la anulación de todas las garantías del producto.
- Al momento de almacenar el dispositivo no lo coloque en habitaciones junto con dispositivos que requieren de flama abierta como calentadores de agua de gas u hornos. Manténgase también alejado de calentadores eléctricos. Las unidades dañadas deberán ser reparadas previo a su almacenamiento.

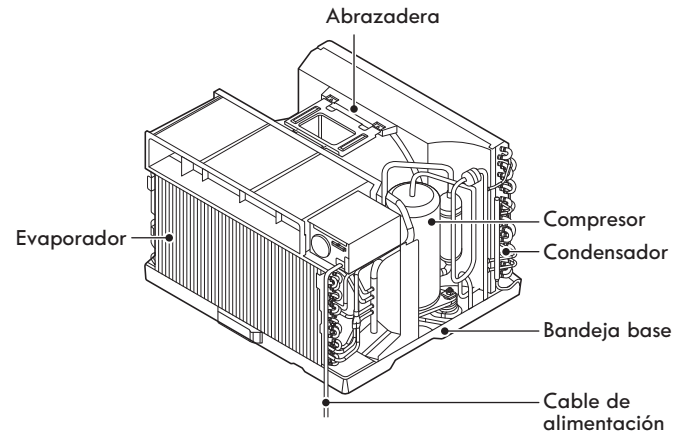
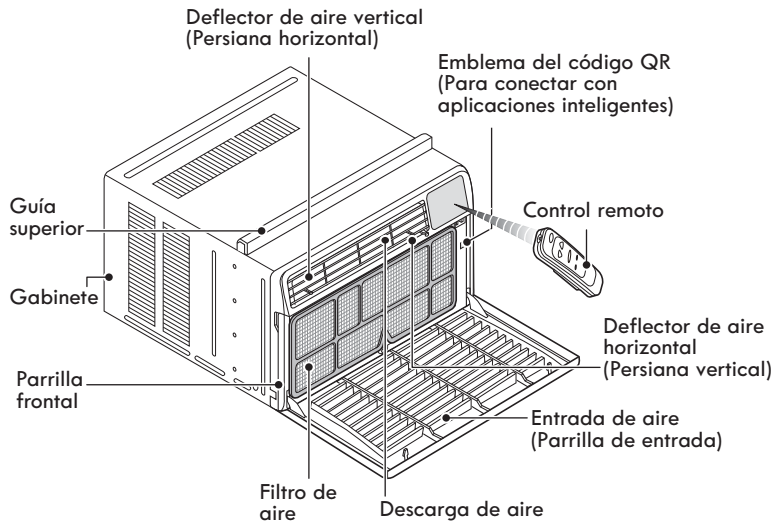
CARACTERÍSTICAS Y BENEFICIOS

Partes y componentes clave

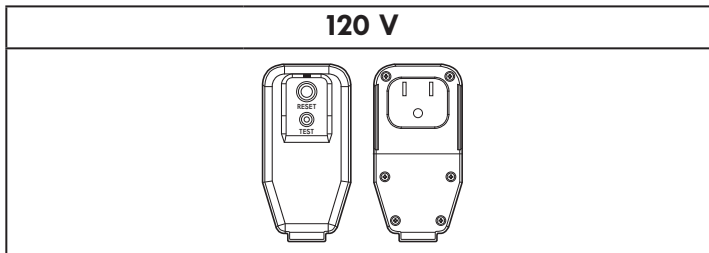


ADVERTENCIA

Instale este dispositivo de conformidad con los lineamientos del Código Eléctrico Nacional.



Información eléctrica




El cable de alimentación puede incluir un dispositivo interruptor de corriente. Los botones de reseteo y de prueba se encuentran en la carcasa del enchufe. Pruebe de manera periódica el dispositivo presionando primero el botón de prueba (TEST) y luego RESET. Si el botón TEST no se dispara o si el botón RESET no se mantiene pulsado, no use más el aire acondicionado y contacte a un técnico de servicio calificado.



PRECAUCIÓN

Los conductores dentro del cable cuentan con blindaje que monitorea la fuga de corriente. Este blindaje no está conectado a tierra. Examine el cable de forma periódica en busca de daños. No use este producto si los blindajes están expuestos. Evite riesgo de choque. El usuario no puede dar servicio técnico a esta unidad. **NO** abra la parte que tiene sellos de seguridad, pues esto perjudicaría el rendimiento y resultaría en la anulación de toda garantía.

BTU y receptáculo de pared	Corriente eléctrica
10000 BTU y 12000 BTU  Receptáculo de puesta a tierra estándar de 120 V y tres clavijas con valores: 15 A / 120 VAC / 60 Hz	Usar fusible de acción retardada 15 A, o interruptor de circuito 15 A.



ADVERTENCIA

NO USE EXTENSIONES RIESGO DE INCENDIO, HERIDAS GRAVES O INCLUSO LA MUERTE.

- No use extensiones con este producto.
- No use protector de sobretensión o enchufes múltiples con este producto.



ADVERTENCIA

Jamás presione el botón de prueba (TEST) mientras el producto esté en funcionamiento. Hacerlo puede dañar el enchufe.

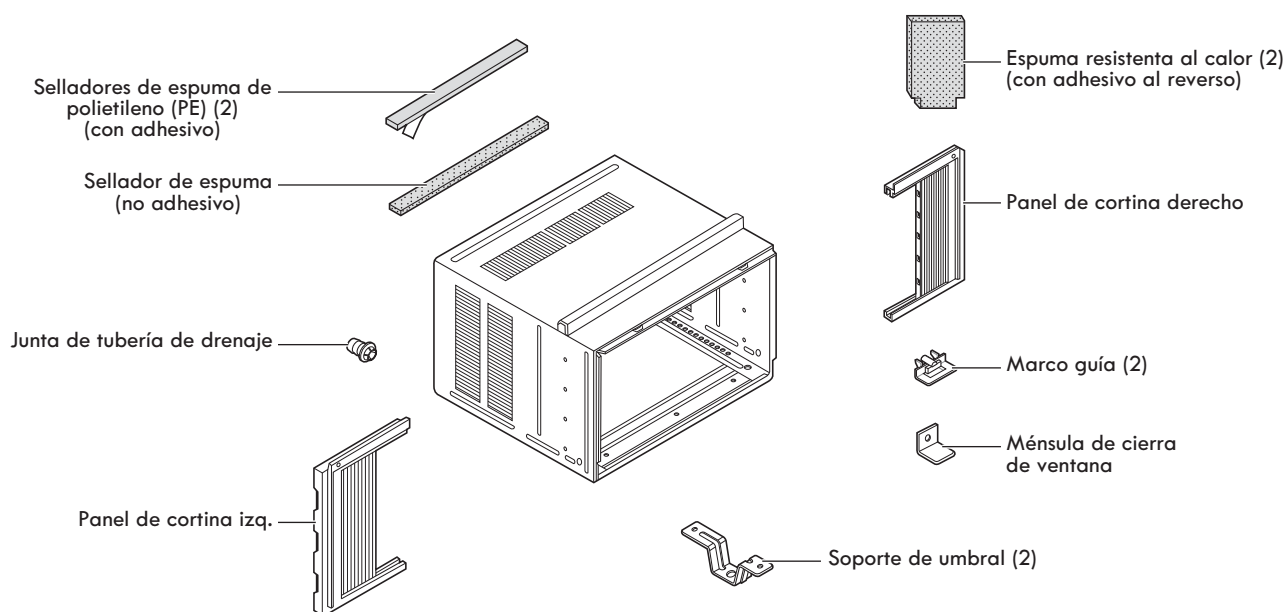
- No remueva, modifique o sumerja el enchufe. Si este dispositivo se dispara, deberá ser reparado previo a su siguiente uso.

REQUERIMIENTOS DE INSTALACIÓN

Especificaciones y dimensiones clave

Descripción	Aire acondicionado de ventana
Req. Eléctricos	Ver la placa de valores eléctricos en la unidad
Dimensiones (sin paneles de cortina)	23.6 in. (W) X 22.2 in. (D) X 15 in. (H) 60 cm (W) X 56.4 cm (D) X 38.1 cm (H)
Peso Neto	10000 BTU: 74 lb. (33.6 kg) / 12000 BTU: 81 lb. (36.7 kg)

Artículos incluidos



Tipo A (14)	Tipo B (3)	Tipo C (5)	Tornillo (2)	Tuerca de cierre (4)

Herramientas necesarias



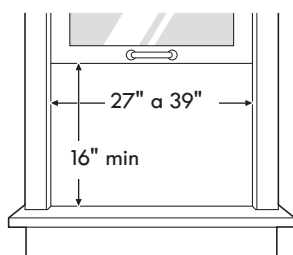
INSTRUCCIONES DE INSTALACIÓN

Requerimientos de la ventana

Tamaño

NOTA: Asegure todas las partes de soporte a una estructura firme de madera, mampostería o metal.

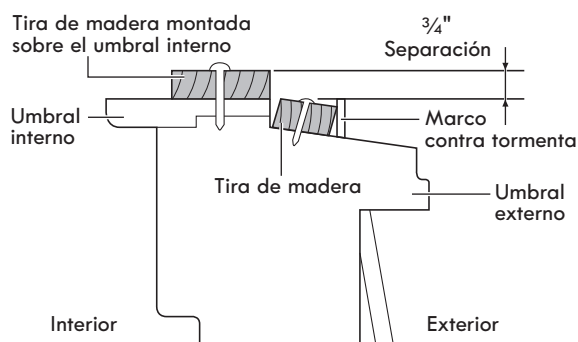
- Este aire acondicionado de pared está diseñado para instalarse en ventanas dobles estándar con ancho de apertura de 27" a 39".
- El marco superior e inferior de la ventana deben abrir lo suficiente para permitir una apertura vertical libre de 16" desde la parte inferior del marco superior y hasta el umbral interno.
- La diferencia de altura entre los umbrales interno y externo debe ser menor a 1 1/4".



Separación

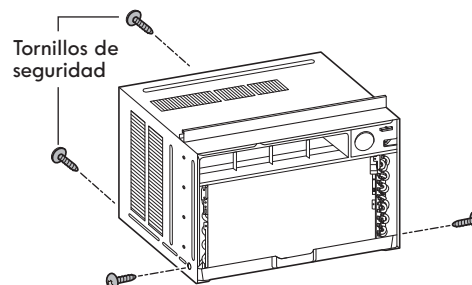
Una separación adecuada mejora la eficacia de enfriamiento del producto.

- 1 Si una ventana contra tormentas presenta una interferencia, ajuste una tira de madera de 2" de ancho en el umbral interno de la ventana a lo ancho de todo el umbral. La tira de madera deberá ser lo suficientemente gruesa para aumentar la altura del umbral de la ventana para que la unidad se pueda instalar sin interferencia del marco contra tormentas.
- 2 (Ver esquema.) Para que la condensación se drene al exterior adecuadamente, la parte superior de la tira de madera en el umbral interno deberá ser más alta que la ventana contra tormentas o la tira de madera en la parte externa del umbral por aproximadamente 3/4".
- 3 De ser necesario, instale una segunda tira de madera (del mismo ancho que la primera tira) a todo lo ancho del umbral externo y nivélelo contra la parte posterior del umbral interno.

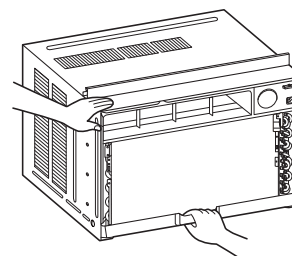


Preparación del gabinete

- 1 Retire los 4 tornillos que aseguran el gabinete de ambos lados y en la parte posterior. (2 de los tornillos se reutilizarán posteriormente para reasegurar los lados del gabinete a la unidad.)



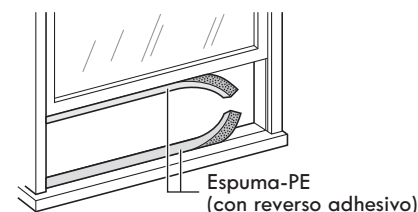
- 2 Deslice la unidad fuera del gabinete sujetando la manija de la bandeja base y jalando mientras sostiene el gabinete.



PRECAUCIÓN

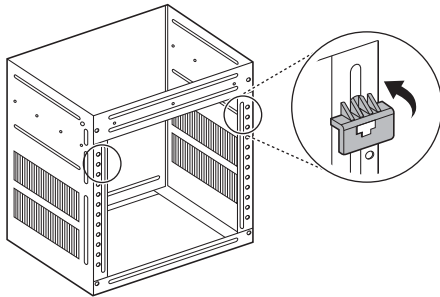
La unidad es pesada. Para evitar lesiones use técnicas de levantamiento adecuadas cuando saque la unidad del gabinete. Cuando sea posible, pida ayuda a alguien más.

- 3 Corte los sellos para el marco de la ventana (Espuma-PE) al ancho adecuado. Retire la película posterior y pegue la espuma con reverso adhesivo al marco interno de la ventana y a la parte inferior del marco de la ventana.

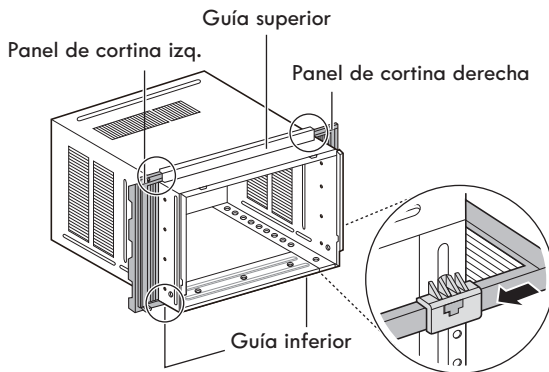


INSTRUCCIONES DE INSTALACIÓN

- 4 Inserte las guías del panel de la cortina inferior en la parte inferior del gabinete de modo que la brida se dirija a la parte posterior del gabinete.



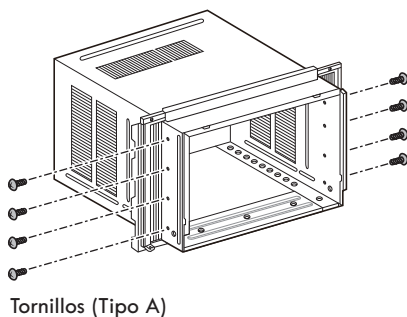
- 5 Inserte los rieles superior e inferior de los paneles de cortina en las guías de panel superior e inferior.



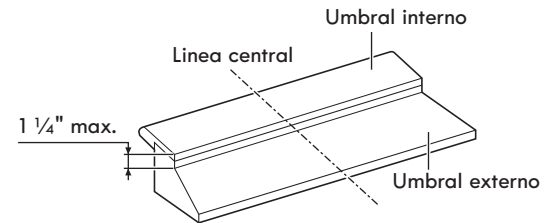
PRECAUCIÓN

Las guías del panel inferior se rompen con facilidad. Tenga cuidado con ellas al instalar el gabinete.

- 6 Ajuste los paneles de cortina a la unidad con 8 tornillos tipo A.

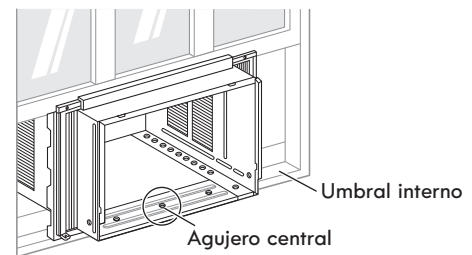


Instalación del gabinete

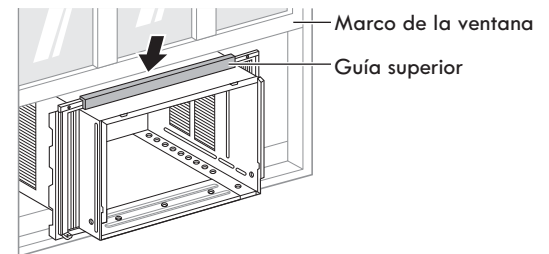


- 1 Abra la ventana. Marque una línea en el centro del umbral interno.

Con cuidado, coloque el gabinete en la ventana y alinee el agujero del centro en la parte inferior frontal del gabinete con la línea central marcada en el umbral de la ventana.

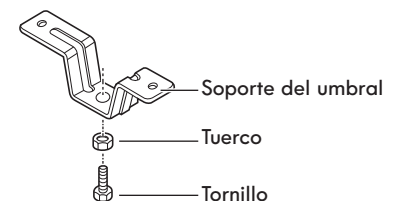


- 2 Jale el marco inferior de la ventana hacia abajo por detrás de la guía superior hasta que se junten.



NOTA: No ajuste demasiado el marco de la ventana, pues podría impedir el movimiento a los paneles de cortina.

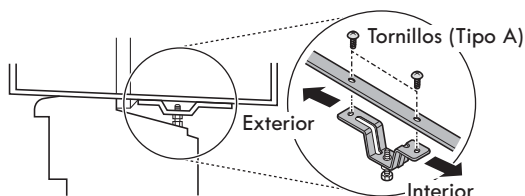
- 3 Coloque los soportes del umbral holgadamente.



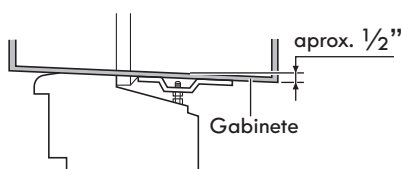
NOTA: Si la distancia hacia el umbral externo de la ventana no es tan profunda, quizá no necesite el tornillo y la tuerca.

INSTRUCCIONES DE INSTALACIÓN

- 4** Use 2 tornillos tipo A para sujetar un soporte de umbral a los agujeros del gabinete, por un lado. Use los agujeros del gabinete que coloquen el soporte del umbral más cerca del borde externo del umbral. Repita con el segundo soporte de umbral en el lado opuesto del gabinete.



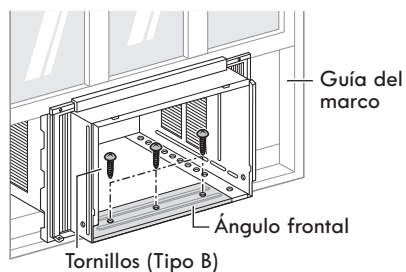
- 5** Instale el gabinete con una ligera inclinación (aprox. $\frac{1}{2}$ ") hacia abajo en la parte exterior. Use el tornillo y la tuerca para ajustar la inclinación del gabinete.



! PRECAUCIÓN

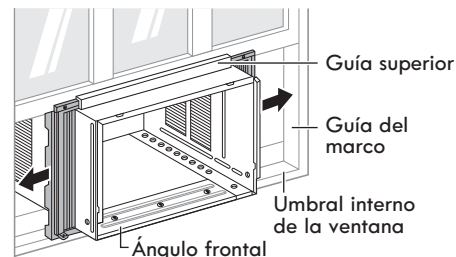
No perforo la bandeja base. El producto está diseñado para operar con aprox. $\frac{1}{2}$ " de agua en la bandeja base. No hay necesidad de agregar agua si la bandeja está seca.

- 6** Sujete el gabinete al umbral interno atornillando 3 tornillos tipo B a través del ángulo frontal del gabinete y hacia el umbral.



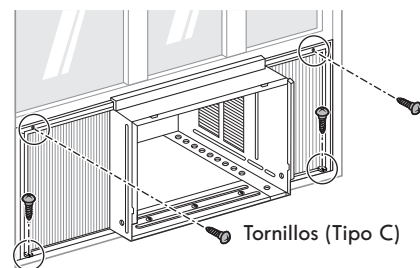
NOTA: Si el espacio entre la parte inferior del gabinete y el umbral interno es muy grande, instale una tira de madera para compensar la diferencia. Lea las instrucciones de Separación para más detalles.

- 7** Jale cada panel de cortina hacia los lados hasta que topen con la guía del marco de la ventana. Jale el marco inferior de la ventana hacia abajo por detrás de la guía superior hasta que toque la parte superior del gabinete.

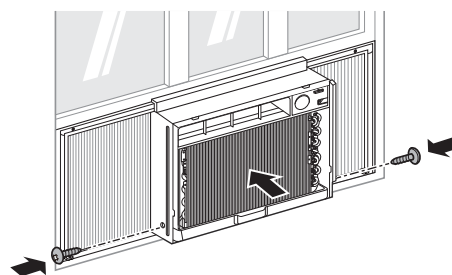


NOTA: No ajuste demasiado el marco de la ventana, pues podría impedir el movimiento a los paneles de cortina.

- 8** Use un destornillador o taladro para colocar los paneles de cortina en los marcos de la ventana atornillándolos a través de los agujeros del gabinete que se muestran en la siguiente figura con tornillos tipo C.



- 9** Con la ayuda de un asistente deslice la unidad dentro del gabinete. Reinstale los tornillos que retiró de los costados del gabinete en el paso 1.

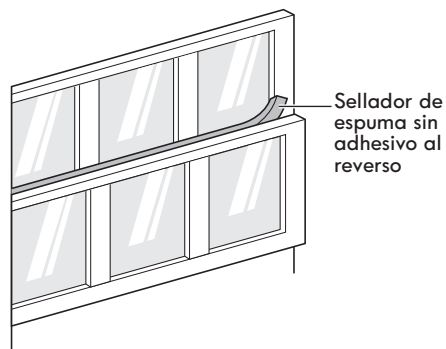


! PRECAUCIÓN

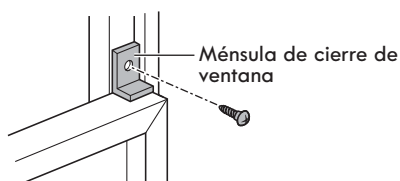
- La unidad es pesada. Pida a alguien que le ayude a elevar la unidad y colocarla en su lugar. Puede lastimarse al intentar elevar y manipular la unidad por usted mismo.
- Sostenga la unidad seguramente en su lugar hasta que el marco de la ventana baje para contactar con la superficie superior de la unidad, directamente detrás de la guía. Si la unidad se cae de la ventana, puede ocasionar lesiones personales o daños materiales.

INSTRUCCIONES DE INSTALACIÓN

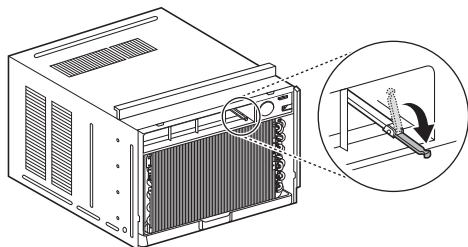
- 10 Corte el sellador de espuma no adhesivo con el largo adecuado e insértelo entre el marco de la ventana superior y el de la ventana inferior.



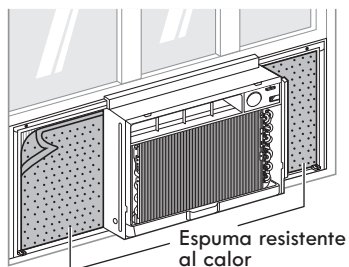
- 11 Atornille la ménsula de cierre de ventana con un tornillo tipo C.



- 12 Antes de instalar la parrilla frontal, pliegue la palanca de control de ventilación que está a la izquierda del panel de control hacia afuera, como se muestra a continuación.

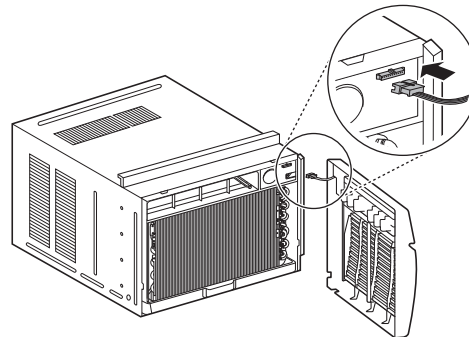


- 13 Corte la espuma resistente al calor con adhesivo al reverso para que se ajuste al tamaño de los paneles de cortina. Retire la película de la parte posterior de la espuma y péguela a los paneles de cortina.

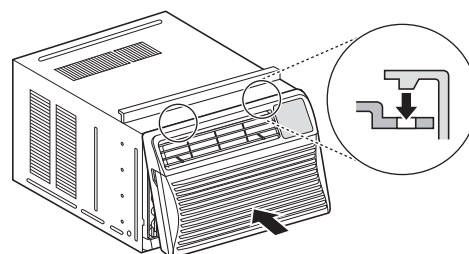


NOTA: La espuma resistente al calor mejora la capacidad de enfriamiento del aire acondicionado.

- 14 Conecte el arnés de cables del ensamblaje de la parrilla frontal al aire acondicionado.

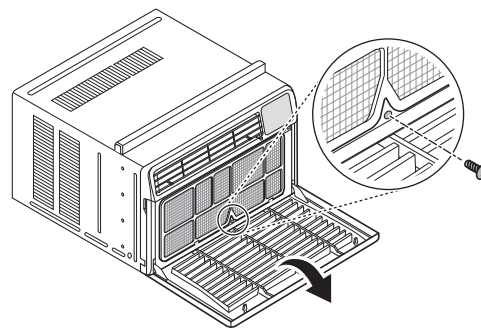


- 15 Coloque el ensamblaje de la parrilla frontal en el gabinete insertando las pestañas de la parrilla en las ranuras de la parte frontal del gabinete. Empuje la parrilla hasta que encaje en su posición.



NOTA: Con cuidado, guíe la palanca de control del ventilador a través de la parrilla conforme la encaja en su lugar.

- 16 Abra la parrilla de entrada del aire y asegure el ensamblaje frontal de la parrilla con un tornillo tipo A, a través de la parte inferior de la parrilla frontal. (Hay 2 tornillos tipo A empacados en una bolsa pequeña. Use uno y guarde otro como repuesto).



Ha concluido la instalación del aire acondicionado de pared en la ventana. Para más información sobre como conectar el cable de alimentación a la toma de corriente, consulte la sección de Información Eléctrica.

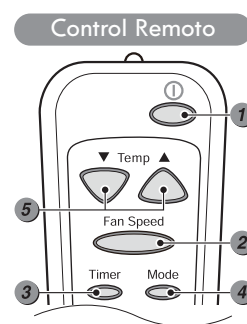
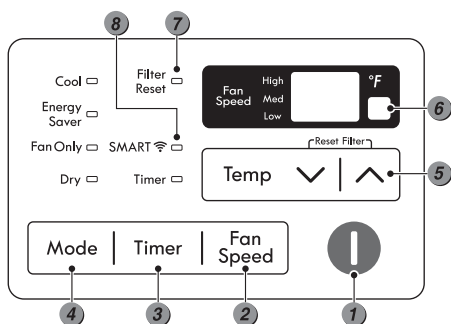
INSTRUCCIONES DE USO



ADVERTENCIA

Para reducir el riesgo de incendio, choque eléctrico o lesiones a personas, antes de operar el aire acondicionado lea y siga en su totalidad esta Guía de Mantenimiento y Uso, incluyendo las Instrucciones de Seguridad Importantes.

Panel de control y control remoto



1 POWER (ENCENDIDO)

Presione para ENCENDER (ON) o APAGAR (OFF) el aire acondicionado.

2 BOTÓN DE LA VELOCIDAD DEL VENTILADOR

Presione para establecer la velocidad del ventilador como Baja, Media o Alta. La pantalla muestra una, dos o tres barras.

3 ENCENDER/APAGAR EL TEMPORIZADOR

Encender el temporizador - Cuando el aire acondicionado esté apagado, prográmelo para encendido automático de 1 a 24 horas más tarde, en la modalidad anterior y con los parámetros de ventilador.

Apagar el temporizador - Cuando el aire acondicionado esté encendido, prográmelo para apagado automático de 1 a 24 horas después.

Cada vez que se presiona el botón Timer (Temporizador) la temporizador avanza 1 hora. Cuando se deja de presionar el botón la pantalla regresa a la configuración de temperatura.

4 BOTÓN DEL MODO DE OPERACIÓN

- Presione el botón Mode (Modo) para cambiar entre las modalidades de ciclo: Enfriar / Ahorro de energía / Sólo ventilador / Aire seco.

Enfriar - Este modo es ideal en días calurosos para enfriar y deshumidificar la habitación rápidamente. Utilice los botones Temp \wedge | \vee para ajustar la temperatura ambiente deseada y utilice el botón Fan Speed de velocidad del ventilador para ajustar la velocidad de circulación del ventilador deseada.

Ahorro de energía - En este modo, el compresor y el ventilador se apagan cuando se alcanza la temperatura ajustada. Aproximadamente cada 3 minutos el ventilador se enciende para permitir que el sensor de la unidad determine con precisión si se necesita más enfriamiento.

Solo Ventilador - En este modo, el ventilador hace circular el aire, pero el compresor no funciona. Utilice el botón Fan Speed de velocidad del ventilador para ajustar la velocidad del ventilador a Alta, Media o Baja. En este modo, usted no puede ajustar la temperatura.

Aire seco - Este modo es ideal para días lluviosos y húmedos para deshumidificar la habitación en lugar de enfriarla de manera significativa. La humedad se elimina de la habitación por la combinación del funcionamiento del compresor y la velocidad del ventilador fijada en Baja. El compresor y el ventilador se apagan una vez que se alcanza la temperatura ajustada. La velocidad del ventilador no se puede ajustar en modo seco.

5 CONTROL DE TEMPERATURA

El termostato monitorea la temperatura de la habitación para mantener la temperatura deseada. Se puede establecer el termostato entre 60 °F–86 °F (16 °C–30 °C). Presione las flechas \wedge o \vee para incrementar o reducir la configuración de temperatura.

6 SENSOR DEL CONTROL REMOTO

Recibe la señal del Control Remoto.

7 REESTABLECER EL FILTRO

La luz LED de restablecimiento del filtro se enciende para notificarle que se el filtro requiere limpieza. Después de limpiar el filtro, presione Temp \wedge y \vee al mismo tiempo en el panel de control para apagar la luz de restablecimiento del filtro. (Se debe restablecer el filtro usando el panel de control, no el control remoto.)

NOTA: Esta característica sirve como recordatorio para limpiar el filtro de aire para una operación más eficiente. La luz LED se enciende tras 250 horas de operación.

8 FUNCIÓN DE CONEXIÓN INTELIGENTE

El icono SMART LED se enciende cuando la unidad se conecta correctamente a internet.

REINICIO AUTOMÁTICO

Si el aire acondicionado se apaga tras un corte eléctrico, se reiniciará automáticamente una vez que se restablezca la energía eléctrica, con la misma configuración con la que se configuró previo al corte.

AHORRO DE ENERGÍA

La unidad se configura automáticamente en modo de Ahorro de Energía al encenderse, excepto cuando está en modo de Ventilador o cuando se restablece la corriente tras un corte eléctrico.



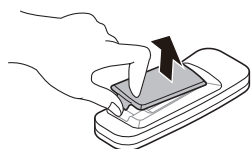
PRECAUCIÓN

El control remoto no funcionará adecuadamente si el sensor infrarrojo del AC se encuentra expuesto a la luz directa o si hay algún obstáculo entre el control remoto y el aire acondicionado.

INSTRUCCIONES DE USO

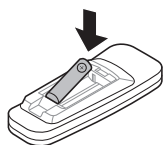
Insertar la batería del control remoto

- 1 Con su pulgar, presione la pestaña de la tapa y retírela de la parte posterior del control remoto.



- 2 Inserte una batería AAA nueva de 1.5 V. Preste atención a la polaridad.

NOTA: El aire acondicionado viene con una batería nueva para colocarla en el control remoto.



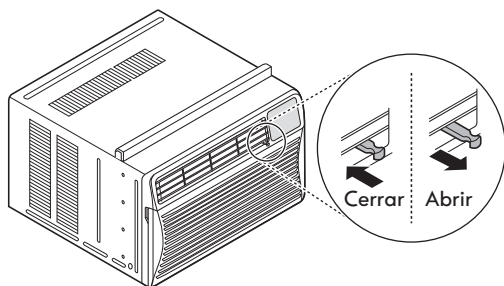
- 3 Vuelva a colocar la tapa al control remoto.

NOTA

- No use baterías recargables. Asegúrese de que la batería es nueva.
- Para prevenir descargas, retire la batería del control remoto mientras éste no esté en uso por periodos prolongados de tiempo.
- Mantenga el control remoto alejado de sitios en extremo húmedos o calientes.
- Para mantener la operación óptima del control remoto, el sensor del mismo no deberá exponerse directamente a la luz solar.

Ventilación

Empuje la palanca de ventilación hacia adentro hasta la posición cerrada para lograr el mejor enfriamiento. Jale la palanca de ventilación hacia afuera para abrir el ventilador y tirar el aire fresco hacia la sala.

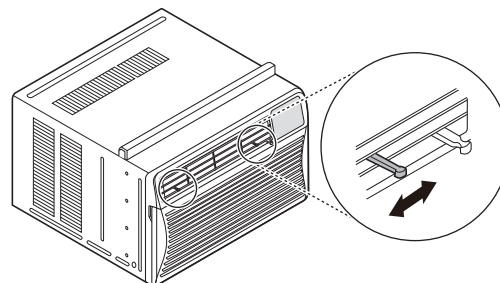


Dirección del aire

El flujo de aire es ajustable, cambiando la dirección de las persianas del aire acondicionado.

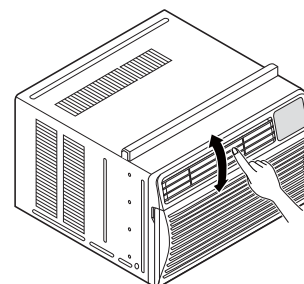
Ajustar la dirección del flujo de aire en forma horizontal

El flujo de aire horizontal se ajusta moviendo la palanca hacia la izquierda o derecha.



Ajustar la dirección del flujo de aire en forma vertical

Toque las persianas horizontales para ajustar el flujo de aire hacia abajo o hacia arriba.



NOTA: Cuando el clima sea extremadamente caliente, la unidad puede apagarse automáticamente para proteger el compresor.

INSTRUCCIONES DE USO

Características adicionales

Tubería de drenaje

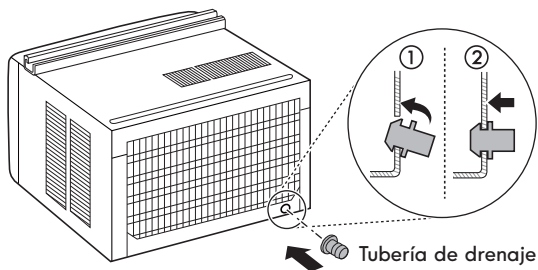
En climas húmedos, el exceso de agua puede provocar que la bandeja base se desborde. Para drenar el agua, retire la tapa de drenado y coloque la tubería de drenaje en el agujero posterior de la bandeja base.



PRECAUCIÓN

Tenga cuidado al insertar la tubería de drenado. Presione hacia el lado contrario de las aletas afiladas para evitar lesionarse si la tubería se resbalara.

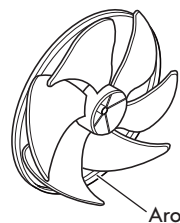
Para evitar lesiones, presione la tubería de drenaje hacia el agujero, presionando hacia abajo y en sentido contrario de las aletas metálicas.



Ventilador de aspa

Este aire acondicionado está equipado con un ventilador de aspa. (Ver dibujo.)

Si el nivel del agua incrementa demasiado, el aro externo del ventilador recoge el agua condensada de la bandeja base. Tras ser recopilada por el ventilador, el agua es arrojada a través del condensador, logrando que el aire acondicionado sea más eficiente.



Características inteligentes

Conectarse

Para usar las características inteligentes de su aire acondicionado, usted requiere tener las siguientes aplicaciones y los siguientes dispositivos.

Dispositivos requeridos: Conexión inalámbrica, la aplicación "Kenmore Smart AC" y un dispositivo móvil.

Aplicación requerida: Kenmore Smart AC.

IMPORTANTE: Deberá descargar la aplicación "Kenmore Smart AC" a su teléfono móvil, conectar la aplicación Kenmore Elite a internet y registrar la aplicación en su cuenta, siguiendo las instrucciones.

Conexión del aire acondicionado

Para obtener instrucciones detalladas sobre cómo crear una cuenta de Kenmore y configurar las aplicaciones para operar desde su dispositivo móvil, consulte la Guía Rápida de Inicio que viene con su aplicación inteligente. Para asistencia adicional, visite <http://www.kenmore.com/smart>

Operación Remota

Use un dispositivo móvil para controlar el aire acondicionado de manera remota. Enciéndalo, apáguelo, cambie los modos de operación, ajuste la temperatura y establezca horarios, todo desde su dispositivo móvil.

NOTA: Cuando se conecta correctamente a internet, el LED de icono SMART (INTELIGENTE) en el panel de control del aparato se encenderá.

INSTRUCCIONES DE USO

Aviso de conformidad con la FCC

(para el módulo de transmisión contenido en este producto)

Este equipo ha sido probado y cumple con los límites establecidos para los dispositivos digitales de Clase B, de conformidad con el Artículo 15 del Reglamento de la Comisión Federal de Comunicaciones (FCC, por sus siglas en inglés). Los límites fueron diseñados para proporcionar una protección razonable contra interferencia dañina en instalaciones de tipo residencial. Este equipo genera, usa y puede irradiar energía de radiofrecuencia y si no se instala y usa de conformidad con las instrucciones, puede causar interferencias dañinas en las radiocomunicaciones. Sin embargo, no se garantiza que no habrá alguna interferencia en alguna instalación específica. Si este equipo causara interferencia dañina a en la recepción de radio o de televisión, lo que se puede determinar apagando y encendiendo el equipo, se alienta al usuario a intentar corregir dicha interferencia mediante una o varias de las siguientes medidas:

- Reorientar o reubicar la antena de recepción.
- Incrementar la separación entre el equipo y el receptor.
- Conectar el equipo a un enchufe en un circuito distinto de aquel al que está conectado el receptor.
- Pedir ayuda al distribuidor o a un técnico con experiencia en radio/TV.

Este dispositivo cumple con el artículo 15 del reglamento de la FCC. Su operación queda sujeta a las siguientes condiciones:

- (1) este dispositivo no causa interferencia dañina, y
- (2) este dispositivo debe aceptar toda interferencia recibida, incluyendo interferencias que puedan provocar una operación no deseada del dispositivo.

Todo cambio o modificación a la fabricación de este dispositivo que no esté expresamente aprobada por la parte responsable del cumplimiento puede anular la autoridad del usuario para operar el equipo.

Declaración de exposición a la radiación de RF de la FCC

Este equipo cumple con los límites de exposición a la radiación de la FCC establecidos para ambientes no controlados. Este transmisor no debe colocarse ni operarse en conjunto con otras antenas o transmisores.

Este equipo deberá instalarse y operarse con una distancia mínima de 20 cm (7.8 pulgadas) entre la antena y su cuerpo. Los usuarios deberán seguir las instrucciones de operación específicas para satisfacer el cumplimiento con la exposición a la radiación de RF.

Especificaciones del módulo WLAN

Frecuencia operativa	2.412–2.462 GHz
Cumple con IEEE 802.11b/g/n	

Notificación de software de fuente abierta

Para obtener el código fuente que está contenido en este producto en virtud de licencias de código abierto, visite <https://kenmore.com/opensource>.

Además del código fuente, todas las condiciones de licencia, renunciaciones de garantías y avisos de derechos de autor están disponibles para descargar.

LIMPIEZA Y MANTENIMIENTO



ADVERTENCIA

Para reducir el riesgo de incendio, choque eléctrico, o lesiones a personas, antes de operar el aire acondicionado lea y siga en su totalidad esta Guía de Mantenimiento y Uso, incluyendo las Instrucciones de Seguridad Importantes.

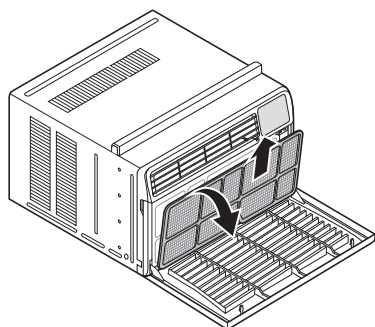
- Para evitar riesgo de choque eléctrico, desconecte el aire acondicionado antes de limpiarlo. Hacer caso omiso de esta advertencia puede resultar en lesiones graves, incendio, choque eléctrico, e incluso la muerte.
- Por ningún motivo utilice químicos agresivos, limpiadores abrasivos, o solventes para limpiar el aire acondicionado, a riesgo de dañar el acabado.

Filtro de aire

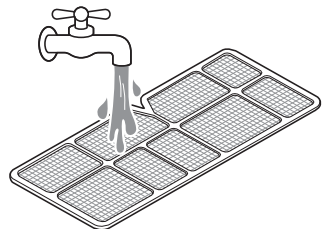
Revise el filtro de aire por lo menos dos veces al mes para ver si requiere limpieza. Las partículas que quedan atrapadas en el filtro pueden acumularse y bloquear el flujo de aire, reduciendo la capacidad de enfriamiento y causando una acumulación de escarcha en el evaporador.

Limpieza del filtro de aire

- 1 Abra la parrilla de entrada de aire, colocando las yemas de los dedos en las depresiones en la parte superior de cada lado. Tome la pestaña en la parte media del filtro de aire y jale el filtro primero hacia adelante y luego hacia arriba para retirarlo.



- 2 Lave el filtro con agua templada (a no más de 104 °F/40 °C).

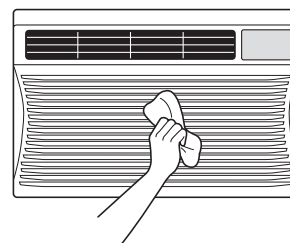


- 3 Agite suavemente para retirar el exceso de agua del filtro y vuélvalo a colocar.

Limpieza del aire acondicionado

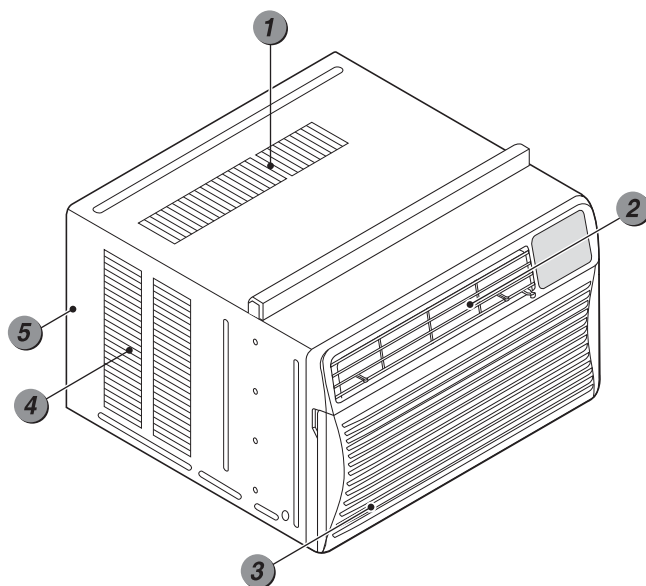
Limpie la parrilla frontal y la rejilla de entrada de aire con un paño humedecido en una solución detergente suave.

Limpie el gabinete con un jabón o detergente suaves y con agua tibia, luego pula con cera líquida para electrodomésticos.



GUÍA DE RESOLUCIÓN DE PROBLEMAS

Sonidos normales que puede llegar a escuchar



NOTA: No perforo la bandeja base para eliminar estos ruidos que son normales, pues de hacerlo se anularía la garantía.

- 1 Chillidos agudos**
Los compresores de alta eficiencia de hoy pueden generar chillidos agudos durante el ciclo de enfriado.
- 2 Ruido de aire que entra al dispositivo**
En la parte frontal de la unidad usted podría escuchar el sonido del aire que se mueve con el ventilador.
- 3 Gorgoteo/Siseo**
Se pueden escuchar ruidos de gorgoteo/siseo cuando el refrigerante pasa por el evaporador durante la operación normal.
- 4 Ronroneo o silbido**
Las gotas de agua que golpean el condensador durante una operación normal pueden provocar este tipo de sonidos.
- 5 Vibración**
La unidad puede vibrar y hacer ruido debido a su instalación en paredes delgadas, a la construcción de la ventana o a una instalación incorrecta.

GUÍA DE RESOLUCIÓN DE PROBLEMAS

Antes de llamar al servicio técnico

Si su aire acondicionado no funciona adecuadamente, o no funciona en su totalidad, revise los siguientes puntos antes de llamar al servicio técnico. En caso de que no encuentre la solución, apague el aire acondicionado y llame a la línea de atención al cliente de Kenmore al 1-844-553-6667.

Problema	Posible Causa	Soluciones
El aire acondicionado se enciende y apaga rápidamente.	La temperatura exterior es extremadamente alta.	Configure la velocidad del ventilador a la velocidad más alta para el máximo enfriamiento.
	Filtro de aire sucio. Flujo de aire restringido.	Limpie el filtro de aire.
Se escuchan ruidos cuando la unidad está enfriando.	La ventana vibra debido a una instalación no adecuada.	Lea las instrucciones de instalación o verifique con el instalador del producto.
	Sonido normal del movimiento del aire.	Este sonido es normal. Si suena muy fuerte configure el ventilador a una velocidad menor.
El control remoto no opera el aire acondicionado.	El control remoto está fuera del rango del sensor.	Sostenga el control remoto a 20 pies y a un radio de 120° de la parte frontal del aire acondicionado.
	La vía entre el sensor y el control remoto está bloqueada.	Elimine las fuentes de obstrucción o colóquese donde haya una vía despejada entre el control remoto y el sensor.
	No se instalaron las baterías correctamente.	Reinstale las baterías, verifique la polaridad.
	El sensor está en la trayectoria directa de la luz del sol.	Coloque un mueble u otro objeto para proyectar una sombra sobre el sensor.
La habitación está muy fría.	La temperatura se ha establecido muy baja.	Aumente la temperatura establecida.
El aire acondicionado no enciende.	El aire acondicionado está desconectado.	Asegúrese que el enchufe está metido por completo en la toma de corriente.
	El dispositivo interruptor o el cable de alimentación se dispararon.	Presione el botón de RESET en el enchufe del cable de alimentación. Si el botón de RESET no permanece presionado, detenga el uso del aire acondicionado y contacte a un técnico de servicio calificado.
	Un fusible de la casa se fundió o se disparó un interruptor de circuito.	Verifique la caja de interruptores/fusibles de la casa y reemplace el fusible o restablezca el disyuntor.
	La configuración de la temperatura es más elevada que la temperatura de la habitación.	Establezca la temperatura en una configuración más baja.
	La unidad se APAGÓ y ENCENDIÓ muy rápido.	El retardo incorporado evitará que el compresor se encienda durante 3 minutos.

GUÍA DE RESOLUCIÓN DE PROBLEMAS

Problema	Posible Causa	Soluciones
El aire acondicionado funde los fusibles o dispara los interruptores de circuito.	Se están utilizando muchos aparatos eléctricos en el mismo circuito.	Desconecte y reubique los aparatos eléctricos que usan el mismo circuito.
	La unidad tiene una valoración superior a los 7.5 Amps.	La unidad se debe conectar en una toma de corriente de circuito simple.
	La unidad está conectada a una extensión.	No use extensiones para el funcionamiento de la unidad.
	La unidad se APAGÓ y ENCENDIÓ muy rápido.	APAGUE la unidad y espere 3 minutos antes de reiniciarla.
El aire acondicionado no enfría como debería.	El flujo de aire está restringido.	Asegúrese de que no existan cortinas, persianas o muebles que bloqueen la parte frontal del aire acondicionado.
	El control de temperatura no está establecido de manera correcta.	En el modo COOL (ENFRIAR), presione Disminuir (v).
	El filtro de aire está sucio.	Limpie el filtro al menos cada dos semanas. (Lea la sección de Limpieza y Mantenimiento.)
	La habitación estaba muy caliente.	Tras encender el aire acondicionado, espere un tiempo para que se enfríe la habitación.
	Se escapa el aire frío.	Busque registros de suelo para horno abiertos y retornos de aire frío.
	Las bobinas de enfriamiento se congelaron.	Vea “Congelamiento del aire acondicionado” a continuación.
Congelamiento del aire acondicionado.	Las bobinas de enfriamiento están cubiertas de hielo.	El hielo puede bloquear el flujo de aire y no permitir que el aire acondicionado enfríe la habitación adecuadamente. Configure el control de “modo” a la velocidad más alta del Ventilador o la temperatura más alta de enfriamiento.
Hay agua goteando hacia afuera.	La habitación está caliente y húmeda.	Esto es normal cuando el clima es caliente y húmedo.
Hay agua goteando hacia dentro.	El drenaje de agua del aire acondicionado no está instalado en forma correcta.	Asegúrese de que el aire acondicionado tenga una ligera inclinación hacia abajo desde la parte frontal y hacia la parte trasera del gabinete. Reposicione o calce el gabinete según sea necesario. NO perforo la bandeja de drenaje.
Se acumula agua en la bandeja base.	Se extrae la humedad del aire y se drena a la bandeja base.	Esto es normal. Ocurrirá por periodos cortos en las áreas donde hay poca humedad y por periodos más largos en las áreas que son muy húmedas.

Para información detallada sobre el programa Energy Star, visite www.energystar.gov.

Si en la pantalla aparece “CH”, llame a la línea de atención al cliente de Kenmore al 1-844-553-6667.

GARANTÍA

Garantía limitada de Kenmore Elite

CON EL COMPROBANTE DE COMPRA, la cobertura de la siguiente garantía aplica cuando las condiciones de instalación, operación y mantenimiento del dispositivo sean las correctas, de conformidad con todas las instrucciones proporcionadas.

Este dispositivo tiene una garantía DE UN AÑO a partir de la fecha de compra, contra defectos tanto de material como de fabricación. El proveedor otorgará la opción de reparación gratuita o reemplazo para aquellos dispositivos que sean considerados como defectuosos.

Para más detalles sobre la cobertura para obtener reparaciones o reemplazos gratuitos, visite la página web: www.kenmore.com/warranty

Si este dispositivo fuese utilizado con otros fines que no sean para el uso privado residencial, la presente garantía únicamente aplicará por un periodo de 90 DÍAS a partir de la fecha de compra.

Esta garantía cubre EXCLUSIVAMENTE defectos de material y fabricación, y no pagará por:

1. Artículos fungibles que se pueden desgastar a partir del uso cotidiano, incluyendo pero no limitándose a filtros, correas, bolsas o bombillas de base atornillable.
2. Servicio técnico para la limpieza o el mantenimiento del dispositivo, o para instruir al usuario sobre la forma correcta de instalación, operación y mantenimiento del dispositivo.
3. Llamadas al servicio técnico para la correcta instalación del dispositivo, cuando esta no sea realizada por agentes de servicio autorizados de Sears, o para la reparación de problemas con los fusibles o interruptores del hogar, el cableado y la plomería de la casa y los sistemas de suministro de gas resultantes de dicha instalación.
4. Daños o fallas en el dispositivo resultantes de instalaciones no realizadas por agentes de servicio autorizados de Sears, incluyendo instalaciones que no se realicen de conformidad con los códigos de plomería, gas o electricidad.
5. Daños o fallas en el dispositivo, incluyendo decoloración u oxidación de la superficie, cuando el dispositivo no tuvo el mantenimiento ni la operación estipulados en las instrucciones adjuntas.
6. Daños o fallas en el dispositivo, incluyendo decoloración u oxidación de la superficie, resultantes de accidentes, alteraciones, abuso, mal uso o uso distinto a los fines para él establecidos.
7. Daños o fallas en el dispositivo, incluyendo decoloración u oxidación de la superficie, provocados por el uso de detergentes, limpiadores, químicos o utensilios distintos a los recomendados en las instrucciones proporcionadas con el producto.
8. Daños o fallas en las partes o sistemas resultantes de modificaciones no autorizadas realizadas al dispositivo.
9. Servicio técnico de un dispositivo cuando el modelo y la placa con el número de serie se hayan perdido, modificado o no se pueda determinar con facilidad si el dispositivo cuenta con el logotipo de certificación adecuado.

Exención de responsabilidad de garantías implícitas. Limitación de indemnizaciones

La única y exclusiva indemnización otorgada al cliente bajo esta garantía limitada será la de reparación o reemplazo del producto conforme a los términos establecidos en la presente. Las garantías implícitas, incluyendo las garantías de comerciabilidad o expresas para un propósito específico, quedan limitadas a un año o el periodo más corto permitido por la ley. El proveedor no será responsable de daños incidentales o indirectos. Algunos estados y provincias no permiten la exclusión o limitación de daños incidentales o indirectos, ni la limitación de la duración de las garantías implícitas de comerciabilidad o expresas, por lo que cabe la posibilidad de que estas exclusiones o limitaciones no apliquen en su caso.

La presente garantía aplica solo cuando el dispositivo sea usado en los Estados Unidos.

La presente garantía le otorga derechos jurídicos específicos, y usted puede contar con otros derechos que varían de estado a estado.

Sears Brands Management Corporation, Hoffman Estates, IL 60179

NOTAS

Kenmore®

Customer Care Hotline

To schedule in-home repair service
or order replacement parts

Para pedir servicio de reparación
a domicilio, y ordenar piezas

1-844-553-6667

www.kenmore.com

