



# Postman

## Installation Manual

Model: 51345 Noble Bronze  
Fan weight  $\pm 2$  lbs: 20.3 lbs (9.2 kg)

*Hunter*  
©2020 Hunter Fan Co.  
PG3943 r093020



The ceiling fan you purchased will provide comfort and performance in your home or office for many years. This instruction manual contains complete instructions for installing and operating your fan. We are proud of our work and appreciate the opportunity to supply you with the best ceiling fan available anywhere in the world.

## We are here to help!

This Instruction Manual is designed to make installation as simple as possible. While working through this Instruction Manual, keep your smartphone or tablet nearby. We have added video links to help you through the more technical sections. If you are unfamiliar or uncomfortable with wiring, contact a qualified electrician. We also provide telephone support at 1.888.830.1326 or visit us at [HunterFan.com](http://HunterFan.com).



**READ and SAVE These Instructions**

**WARNING**



### Warning

- w.1 - To reduce the risk of fire, electrical shock, or personal injury, mount fan directly from building structure and/or an outlet box marked acceptable for fan support of 70 lbs (31.8 kg) and use the mounting screws provided with the outlet box.
- w.2 - To avoid possible electrical shock, before installing or servicing your fan, disconnect the power by turning off the circuit breakers to the outlet box and associated wall switch location. If you cannot lock the circuit breakers in the off position, securely fasten a prominent warning device, such as a tag, to the service panel.
- w.3 - To reduce the risk of electric shock, this fan must be installed with an isolating wall control/switch.
- w.4 - To reduce the risk of personal injury, do not bend the blade brackets when installing the blade brackets, balancing the blades, or cleaning the fan. Do not insert foreign objects in between rotating fan blades.

### Caution

- c.1 - All wiring must be in accordance with national and local electrical codes ANSI/NFPA 70. If you are unfamiliar with wiring, use a qualified electrician.
- c.2 - Use only Hunter replacement parts.

This equipment has been tested and found to comply with the limits for a Class B digital device, pursuant to part 15 of the FCC Rules. These limits are designed to provide reasonable protection against harmful interference in a residential installation. This equipment generates, uses and can radiate radio frequency energy and if not installed and used in accordance with the instructions may cause harmful interference to radio communications.

However, there is no guarantee that interference will not occur in a particular installation. If this equipment does cause harmful interference to radio or television reception, which can be determined by turning the equipment off and on, the user is encouraged to try to correct the interference by one or more of the following measures:

- Reorient or relocate the receiving antenna.
- Increase the separation between the equipment and receiver.
- Connect the equipment into an outlet on a circuit different from that to which the receiver is connected.
- Consult the dealer or an experienced radio/TV technician for help.

Caution: modifications not approved by the party responsible for compliance could void user's authority to operate the equipment.

This device complies with Part 15 of the FCC Rules. Operation is subject to the following two conditions: (1) This device may not cause harmful interference, and (2) this device must accept any interference received, including interference that may cause undesired operation.

This product conforms to UL Standard 507.



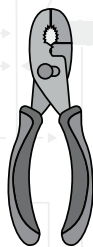
## Here are the tools you'll need to complete your installation:



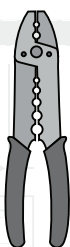
Ladder



Screwdriver



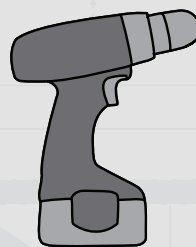
Pliers



Wire Strippers

### OPTIONAL

If mounting to a support structure, you will also need these tools.



Drill



9/64" Drill Bit

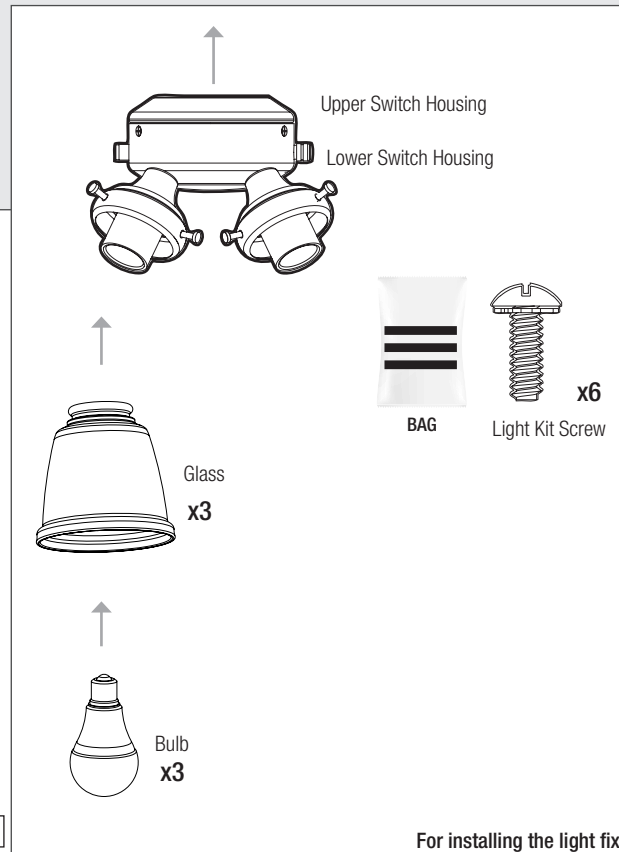
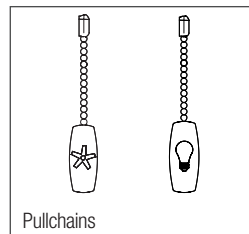
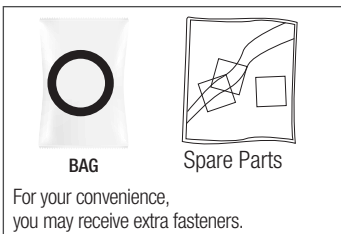
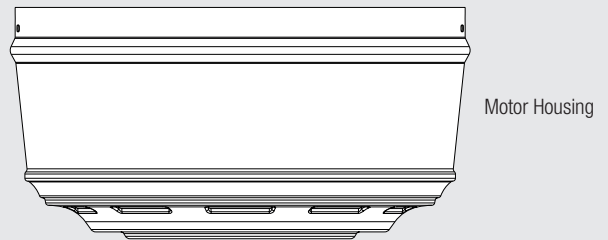
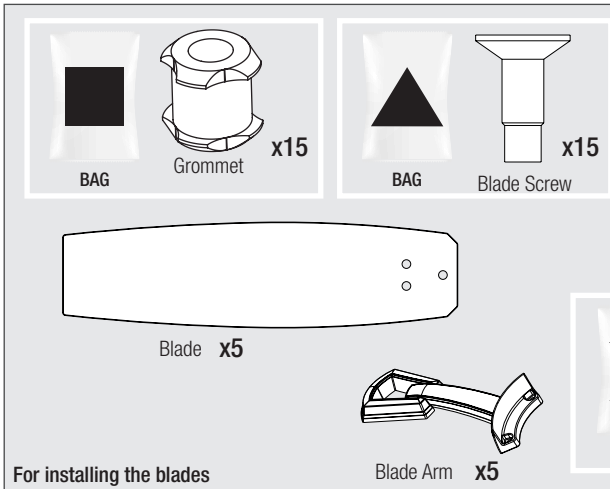
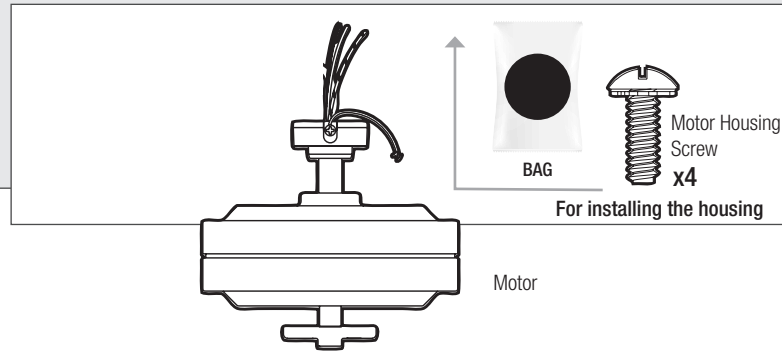
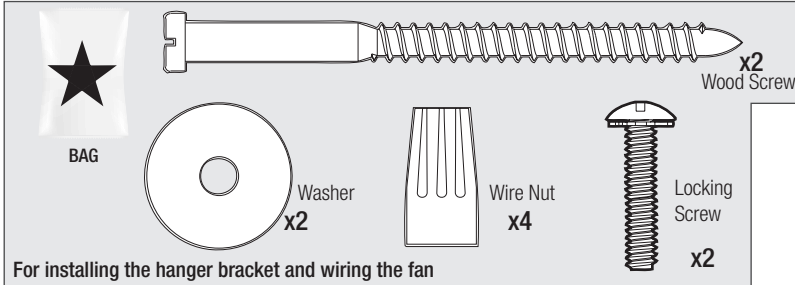
© 2020 Hunter Fan Company  
7130 Goodlett Farms Pkwy, Suite 400  
Memphis TN 38016

# Here is what comes in your box:

We recommend that you pull everything out of the box and lay it out. We have grouped the drawn components below with the hardware you'll need for those parts. The screws below are drawn to scale to make it easier to identify what piece of hardware is needed to install each component.

### Hunter Pro Tip:

Do not discard the hardware bags or mix parts from different bags. Make note of the symbol printed on each hardware bag. The symbols can be used to identify the appropriate hardware for each step.



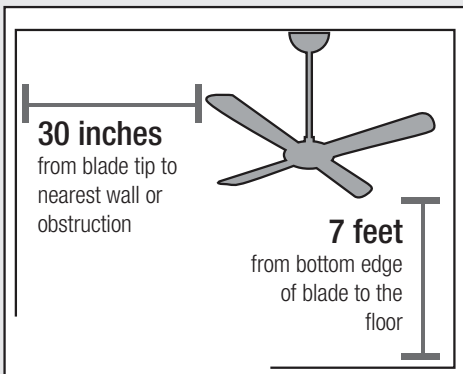
**Note:**  
Fan style may vary.

Find a part that is missing or damaged?  
Don't take it back to the store. Let us make it right. Visit us at [HunterFan.com](http://HunterFan.com) or call us at 1.888.830.1326.

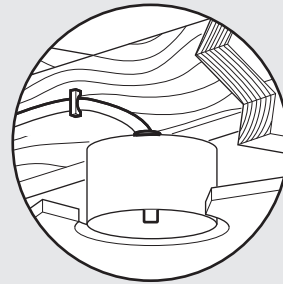
# Choosing the Right Installation Location

You probably bought this fan with a location in mind. Let's check below to make sure it is a good fit.

## Check the room dimensions:



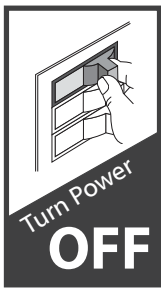
## Check the outlet box:



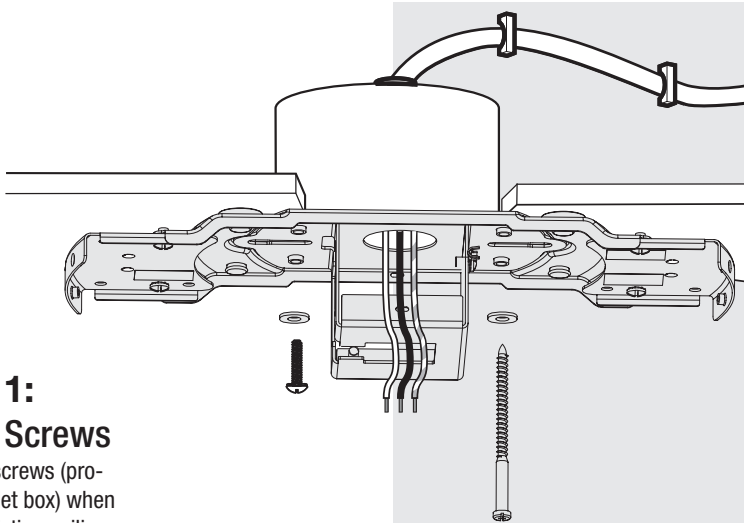
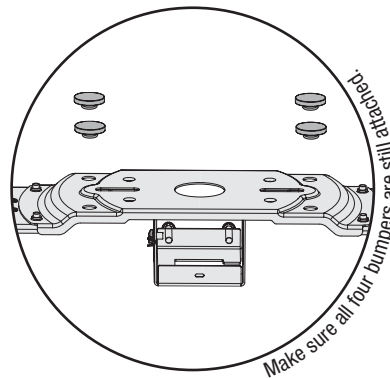
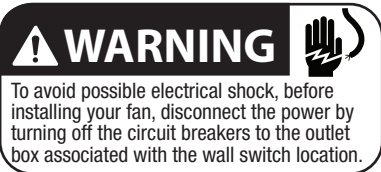
You must be able to secure the fan to building structure or fan-rated outlet box.

# Installing the Ceiling Bracket

You have two options for installation. Pick which one works best for your location.



Do this first!



### Option 1: Machine Screws

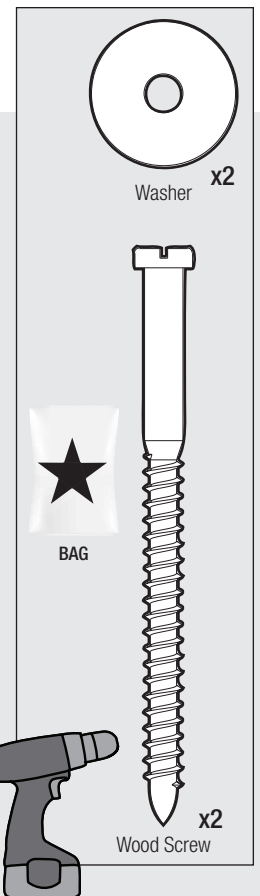
Use machine screws (provided with outlet box) when securing to existing ceiling fan-rated outlet box. Make sure it is securely installed and is acceptable for fan support of 31.8 kg (70 lbs) or less.

#### Hunter Pro Tip:

The machine screws are the ones that came with your outlet box.

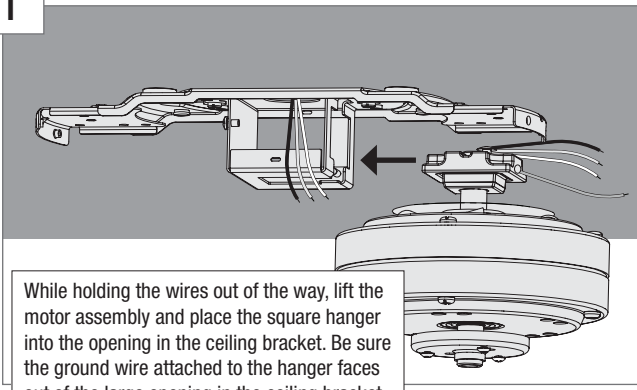
### Option 2: Wood Screws

Use wood screws (included) when securing to support structure with approved electrical outlet box. Drill 9/64" pilot holes in support structure to aid in securing ceiling bracket with hardware found in the ★ hardware bag.



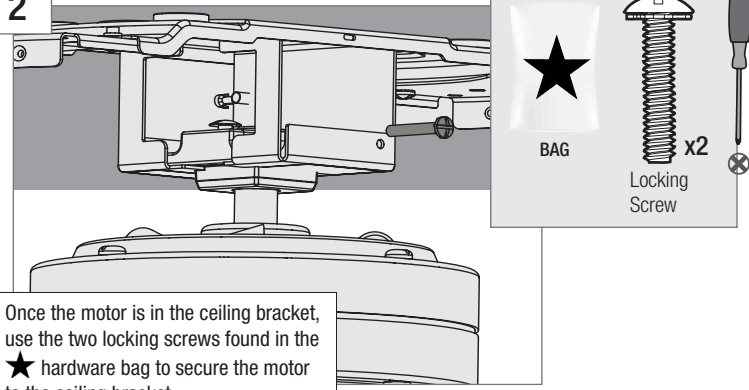
# Hanging the Fan

STEP 1

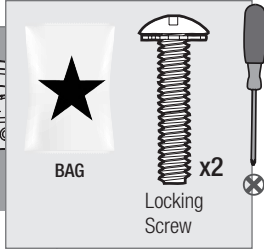


While holding the wires out of the way, lift the motor assembly and place the square hanger into the opening in the ceiling bracket. Be sure the ground wire attached to the hanger faces out of the large opening in the ceiling bracket.

STEP 2



Once the motor is in the ceiling bracket, use the two locking screws found in the ★ hardware bag to secure the motor to the ceiling bracket.



# Wiring the Fan

**We know wiring is hard. Let's make it easier.**

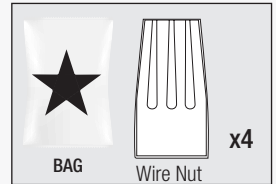
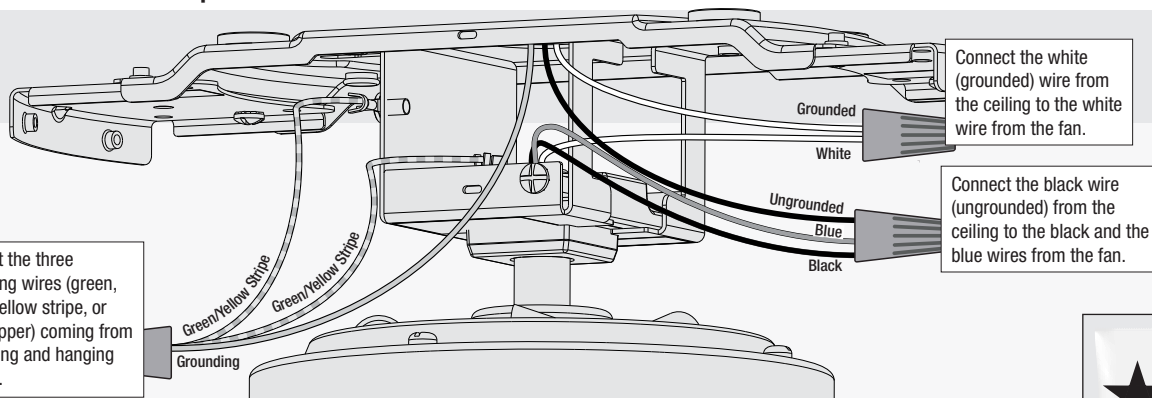
Follow these steps to get your fan wired quickly and safely. Follow the route below that best matches your wall switch setup. If you are unfamiliar with wiring or uncomfortable doing it yourself, please contact a qualified electrician.

**Hunter Pro Tip:**

**Here is how to connect the wires:**  
Push the bare metal ends of the wires together and slide a wire nut over them. Then, twist the wire nut clockwise until tight. Give it a gentle pull to make sure none of the wires are loose.



**Have a single switch?**  
Follow these steps:

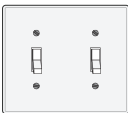


**⚠ WARNING**  
The ceiling fan must be grounded. If the ground wire for the installation site is not present, immediately **STOP** installation and consult a qualified electrician.

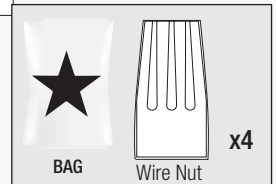
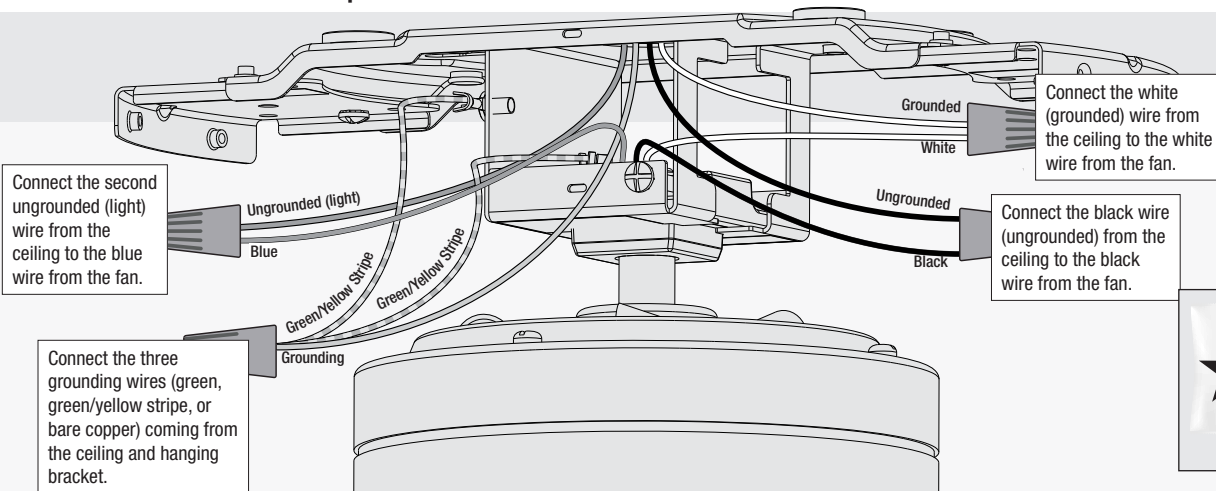
**⚠ WARNING**  
All wiring must be in accordance with national and local electrical codes ANSI/NFPA 70. If you are unfamiliar with wiring or in doubt, consult a qualified electrician.

**Hunter Pro Tip:**

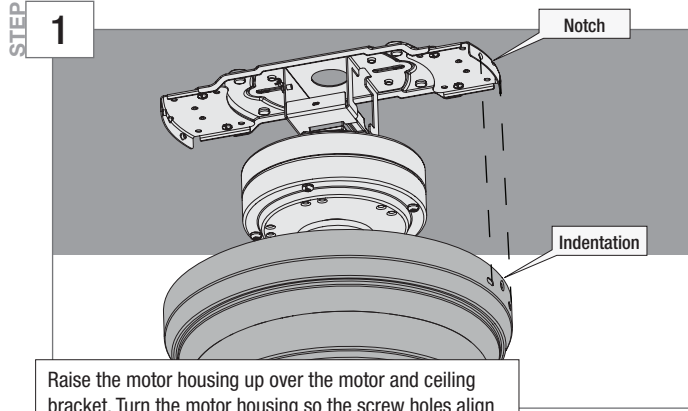
**Have extra wiring?**  
Turn the wires upward and push them carefully back through the hanger bracket into the outlet box. Spread the wires apart, with the grounded wires on one side of the outlet box and the ungrounded wires on the other side of the outlet box. Make sure that the wires are still attached to the wire nuts.



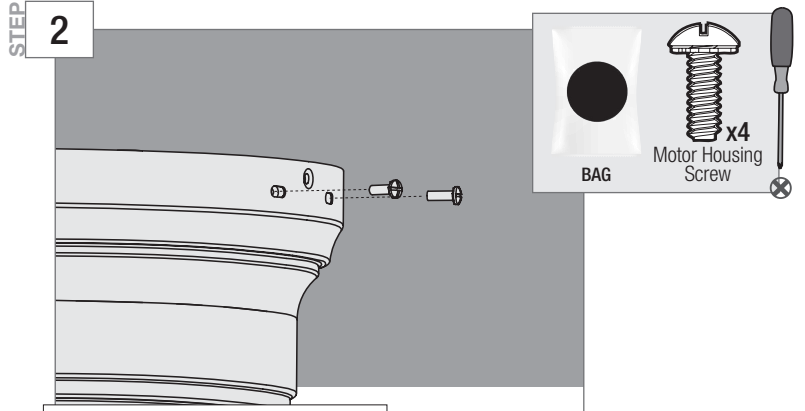
**Have dual switches?**  
Follow these steps:



# Installing the Motor Housing



Raise the motor housing up over the motor and ceiling bracket. Turn the motor housing so the screw holes align and the indentation in the housing locks into place with the notch in the ceiling bracket. **The motor housing is not secured until the next step is complete. Do not leave unattended.**

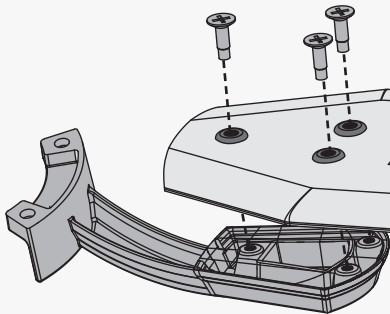


With a Phillips head screwdriver, install the four motor housing screws found in the ● hardware bag. Tighten all four screws securely.

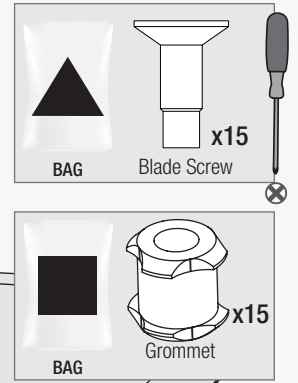
**Note:**  
Fan style may vary.

## Installing the Blades:

Insert grommets found in the ■ hardware bag into the holes in the blades, then secure each blade to a blade arm with screws found in the ▲ hardware bag.



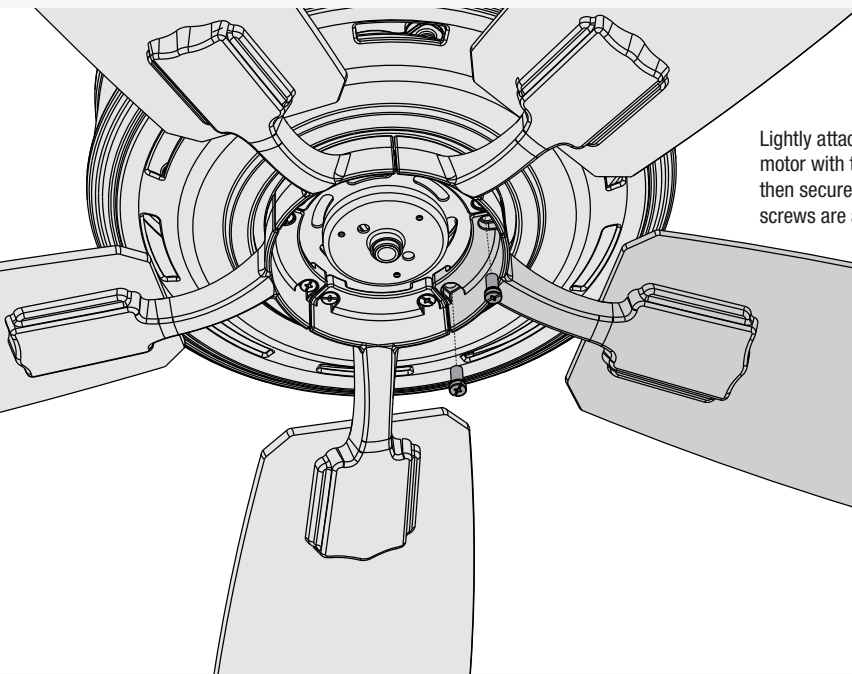
**Repeat x5**



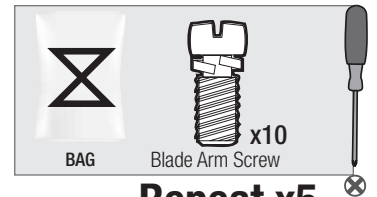
**Note:**  
Fan style may vary.

**▲ IMPORTANT**

**NOTE:** Follow the instructions on the blade. Installing it incorrectly could result in your fan not functioning.



Lightly attach the blade arms to the motor with the blade arm screws, then securely tighten after both screws are attached.



**Repeat x5**

**Note:**  
Fan style may vary.

# Assembling the Light

**STEP 1**

**2 of 6**  
Light Kit Screw

**BAG**

Screw light kit screws from the hardware bag halfway into the motor housing. It does not matter which two screw holes you choose.

**STEP 2**

Feed the wire plug through the center hole of the upper switch housing, then wrap keyhole slots around the screws and twist counterclockwise.

**STEP 3**

**1 of 6**  
Light Kit Screw

**BAG**

Insert a third screw, found in the hardware bag, into place and then tighten all three screws.

**⚠ WARNING**

**FAN FALL HAZARD**  
Make sure all three screws are tight to secure the upper switch housing to the mounting plate.

**STEP 4**

Connect the plugs from the upper and lower switch housings. Make sure to line up the colored markings on the connectors.

**STEP 5**

**2 of 6**  
Light Kit Screw

**BAG**

Partially install two of the switch housing screws found in the hardware bag. Align the notches in the sides of the lower switch housing with the screws on the upper switch housing. Twist the lower switch housing clockwise to lock into place.

**STEP 6**

**1 of 6**  
Light Kit Screw

**BAG**

Install the last switch housing screw. Tighten all three screws securely.

**⚠ WARNING**

**FAN FALL HAZARD**  
Make sure all three screws are tight to secure the lower switch housing to the upper switch housing.

**Note:**  
Fan style may vary.

## Installing the Bulbs and Glass

To install the shade, first loosen the thumb screws. Raise the shade to the light fixture. Tighten all thumbscrews securely.

Install a bulb into each of the sockets. When necessary, replace with bulbs of same wattage.

**Repeat x3**

Turn Power  
**ON**

**Repeat x3**

**Hunter Pro Tip:**

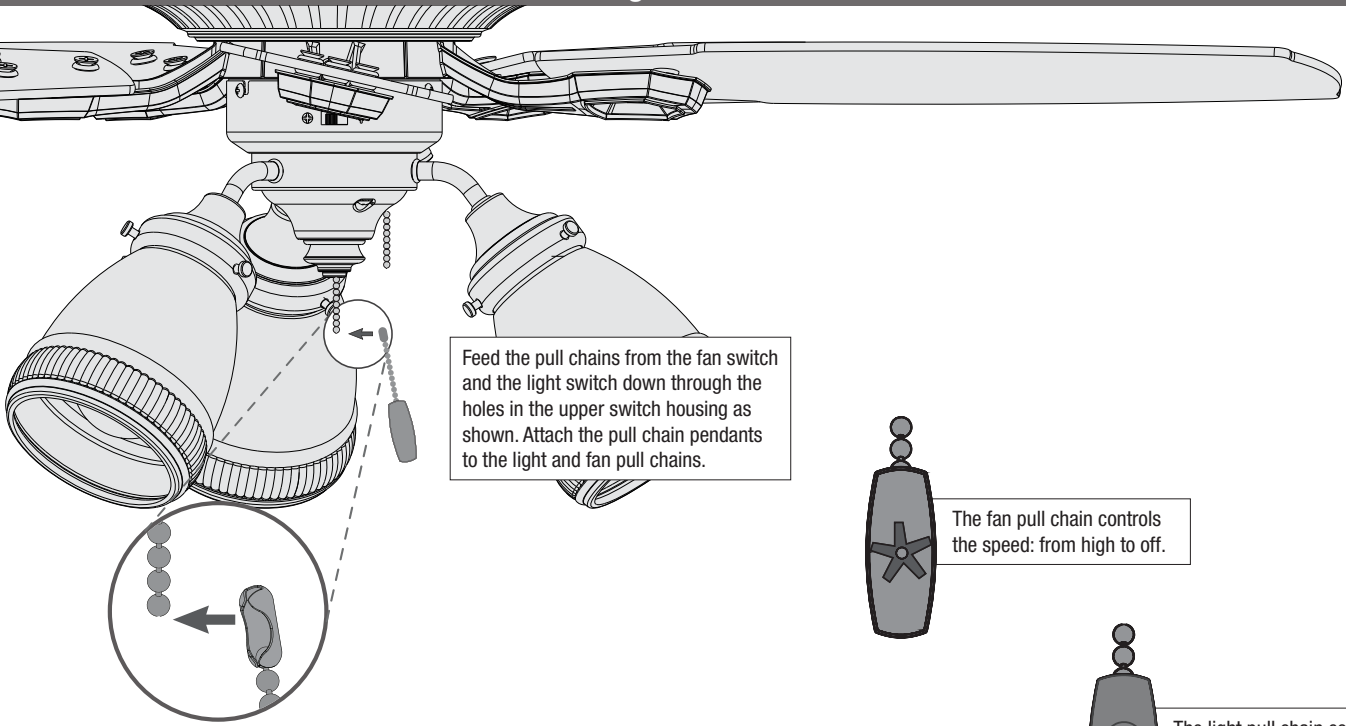
Want to install your fan without a light kit? Go to [www.HunterFan.com/FAQs](http://www.HunterFan.com/FAQs) and click "How do I install my fan without the light kit?"

**Note:**  
Fan style may vary.

**⚠ WARNING**

**GLASS FALL HAZARD**  
To prevent SERIOUS INJURY or DEATH, make sure that glass is properly secured.

## Installing the Pull Chains



Feed the pull chains from the fan switch and the light switch down through the holes in the upper switch housing as shown. Attach the pull chain pendants to the light and fan pull chains.

The fan pull chain controls the speed: from high to off.

The light pull chain controls the light fixture: on and off.

**Repeat x2**

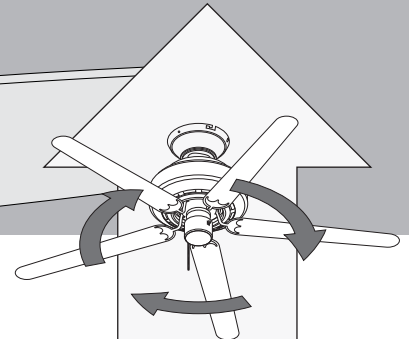
### Note:

Fan style may vary.

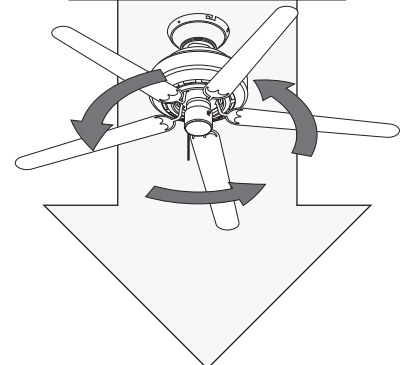
## Reversing the Fan

Ceiling fans work in two directions: downdraft (counterclockwise rotation) and updraft (clockwise rotation). To change the direction of air flow, turn the fan off and let it come to a complete stop. The reversing switch is located on the side of the fan. Slide the reversing switch to the opposite position. Restart the fan.

Reverse Switch



Updraft (clockwise rotation) creates a more indirect airflow. Updraft airflow is great for moving warm air downward.



Downdraft (counterclockwise rotation) creates a direct breeze and maximum cooling effect.

### Note:

Fan style may vary.

## Fan Doesn't Work

- Make sure power switch is on.
- Pull the pull chain to make sure it is on.
- Push the motor reversing switch firmly left or right to ensure that it is engaged.
- Check the circuit breaker to ensure the power is turned on.
- Make sure the blades spin freely.
- Turn off power from the circuit breaker, then loosen the canopy and check all the connections according to the wiring diagram.
- Check the plug connection in the switch housing.

## Excessive Wobbling

- Make sure the blades are properly installed on the blade iron posts.
- Turn the power off, support the fan carefully, and check that the hanger ball is properly seated.
- Use the provided balancing kit and instructions to balance the fan.

## Noisy Operation

- Make sure the blades are properly installed.
- Check to see if any of the blades are cracked. If so, replace all of the blades.

### Hunter Pro Tip:

#### Cleaning the Fan

Use soft brushes or cloths to prevent scratching. Cleaning products may damage the finishes.

## Limited Lifetime Warranty

Hunter Fan Company grants this limited warranty to the original purchaser of this Hunter ceiling fan. This document can be found at [www.HunterFan.com](http://www.HunterFan.com).

Thank you for choosing Hunter!

### How Can Warranty Service Be Obtained?

**Proof of purchase is required** when requesting warranty service. The original purchaser must present a sales receipt or other document that establishes proof of purchase. Hunter, at its sole discretion, may accept a gift receipt. To obtain service, contact Hunter Fan Company online or by phone.

[www.HunterFan.com/Support/Contact-Us/](http://www.HunterFan.com/Support/Contact-Us/)  
1-888-830-1326

Please do not ship your fan or any fan parts to Hunter. Delivery will be refused.

### What Does This Warranty Cover?

#### Motor — Limited Lifetime Warranty

If any part of your ceiling fan motor fails during your ownership of the fan due to a defect in material or workmanship, as determined solely by Hunter, Hunter will provide you with a replacement fan free of charge.\* The foregoing limited warranty applies only to the motor itself and does not apply to electronic controls – such as remote control transmitters, remote control receivers, or capacitors – used in conjunction with the motor. Such electronic control items are included in the one-year limited warranty below.

#### Other — One-Year Limited Warranty

Except as otherwise indicated throughout this warranty, if any part of your Hunter ceiling fan fails at any time within one year of the date of purchase due to a defect in material or workmanship, as determined solely by Hunter, Hunter will provide a replacement part free of charge.\*

#### Light Kits — Warranty May Vary

Light kits are included in the one-year limited warranty. However, you may qualify for additional warranty coverage if your fan includes one of the following:

- **LED Light Kits — Three-Year Limited Warranty**

If your LED light kit module (not including glass components) or LED bulb fails at any time within three years of the date of purchase due to a defect in material or workmanship, as determined solely by Hunter, Hunter will provide a replacement part free of charge.\*

*\* If no replacement product/part can be provided for your fan, we will provide a comparable or superior replacement product/part at the sole discretion of Hunter.*

### What Does This Warranty NOT Cover?

**Labor Excluded.** This warranty does not cover any costs or fees associated with the labor (including electrician's fees) required to install, remove, or replace a fan or any fan parts. There is no warranty for light bulbs (except where otherwise noted); remote control batteries; fans purchased or installed outside the United States; fans owned by someone other than the original purchaser; fans for which proof of purchase has not been established; fans purchased from an unauthorized dealer; ordinary wear and tear; minor cosmetic blemishes; refurbished fans; and fans that are damaged due to any of the following: improper installation, misuse, abuse, improper care, failure to follow Hunter instructions, accidental damage caused by the fan owner or related parties, modifications to the fan, improper or incorrectly performed maintenance or repair, improper voltage supply or power surge, use of improper parts or accessories, failure to provide maintenance to the fan, or acts of God (e.g. flood).

**ORIGINAL PURCHASER'S SOLE AND EXCLUSIVE REMEDY FOR A CLAIM OF ANY KIND WITH RESPECT TO THIS PRODUCT SHALL BE THE REMEDIES SET FORTH HEREIN. HUNTER FAN COMPANY IS NOT RESPONSIBLE FOR CONSEQUENTIAL OR INCIDENTAL DAMAGES, DUE TO PRODUCT FAILURE, WHETHER ARISING OUT OF BREACH OF WARRANTY, BREACH OF CONTRACT, OR OTHERWISE.** Some States do not allow the exclusion or limitation of incidental or consequential damages, so the above limitation or exclusion may not apply to you.

**ANY IMPLIED WARRANTIES OF MERCHANTABILITY OR FITNESS FOR A PARTICULAR PURPOSE APPLICABLE TO THIS PRODUCT ARE LIMITED IN DURATION TO THE PERIOD OF COVERAGE OF THE APPLICABLE LIMITED WARRANTIES SET FORTH ABOVE.** Some States do not allow limitations on how long an implied warranty lasts, so the above limitation may not apply to you.

### How Does State Law Affect Warranty Coverage?

This warranty gives you specific legal rights. You may also have other rights which vary from state to state.