

FANAWAY MYA CEILING FAN

- **INSTALLATION**
- **OPERATION**
- **MAINTENANCE**
- **WARRANTY INFORMATION**

CAUTION

READ INSTRUCTIONS CAREFULLY FOR SAFE

INSTALLATION AND FAN OPERATION.

For customer support, please contact:

Tel: +1 (949) 800 8488 Email: support@beaconlighting.us

US Patent 8317470, 8807938, 8790085, 9255584, 8851841

www.beaconlighting.us

V1.0 (1 /2021)



THANK YOU FOR PURCHASING

Thank you for purchasing this quality Fanaway product. To ensure correct function and safety, please read and follow all instructions before assembly, installation and use of this ceiling fan. Please keep instructions for future reference.

SAFETY PRECAUTIONS

Read and Save These Instructions

This product conforms to UL standard 507.

1. **WARNING** -To avoid possible electrical shock, before installing or servicing your fan, disconnect the power by turning off the circuit breaker of the fuse box to the outlet box.
2. **WARNING** - To reduce the risk of fire, electric shock, or personal injury, mount to outlet box marked “acceptable for fan support of 70 lbs (31.8 kg) or more” and use the mounting screws provided with the outlet box and/or support directly from building structure. Most outlet boxes commonly used for the support of luminaires may not be acceptable for fan support and may need to be replaced. Consult a qualified electrician if in doubt.
3. Suitable for use with solid-state speed controls
4. **WARNING** - To reduce the risk of personal injury, do not bend the blade brackets when installing the blade brackets balancing the blades, or cleaning the fan. Do not insert foreign objects in between rotating fan blades.
5. **CAUTIONS** - All wiring must be in accordance with the National Electrical Code (ANSI/NFPA 70) and local electrical codes. Electrical installation should be performed by a qualified licensed electrician.
6. To reduce the risk of injury to person, the fan must be mounted with a minimum of 7 feet clearance from the bottom edge of the blades to the floor.
7. After marking electrical connections, spliced conductors should be turned upward and pushed carefully up into the outlet box. The wires should be spread apart with the grounded conductor and the equipment-grounding conductor on one side of the outlet box.
8. This equipment has been tested and found to comply with the limits for a Class B digital device, pursuant to part 15 of the FCC rules. These limits are to provide reasonable protection against harmful interference in a residential installation. This equipment generates, uses and can radiate radio frequency energy and if not installed and used in accordance with the instructions may cause harmful interference to radio communications.
9. **CAUTION** - To reduce the risk of electric shock, disconnect the electrical supply circuit to the fan before installing light kit.
10. The light kit plate weight is 1.56kg.

PARTS LIST

- Unpack your ceiling fan and carefully. Remove all parts and hardware.
- Lay out all the components on a smooth surface and make sure there are no components missing before assembling. If parts are missing, return the complete product to the place of purchase for inspection or replacement.
- Check whether the ceiling fan has been damaged during transport. Do not operate/install any product which appears damaged in any way. Return the complete product to the place of purchase for inspection, repair or replacement.
- Examine and identify the parts. Please refer to **Fig 1**.

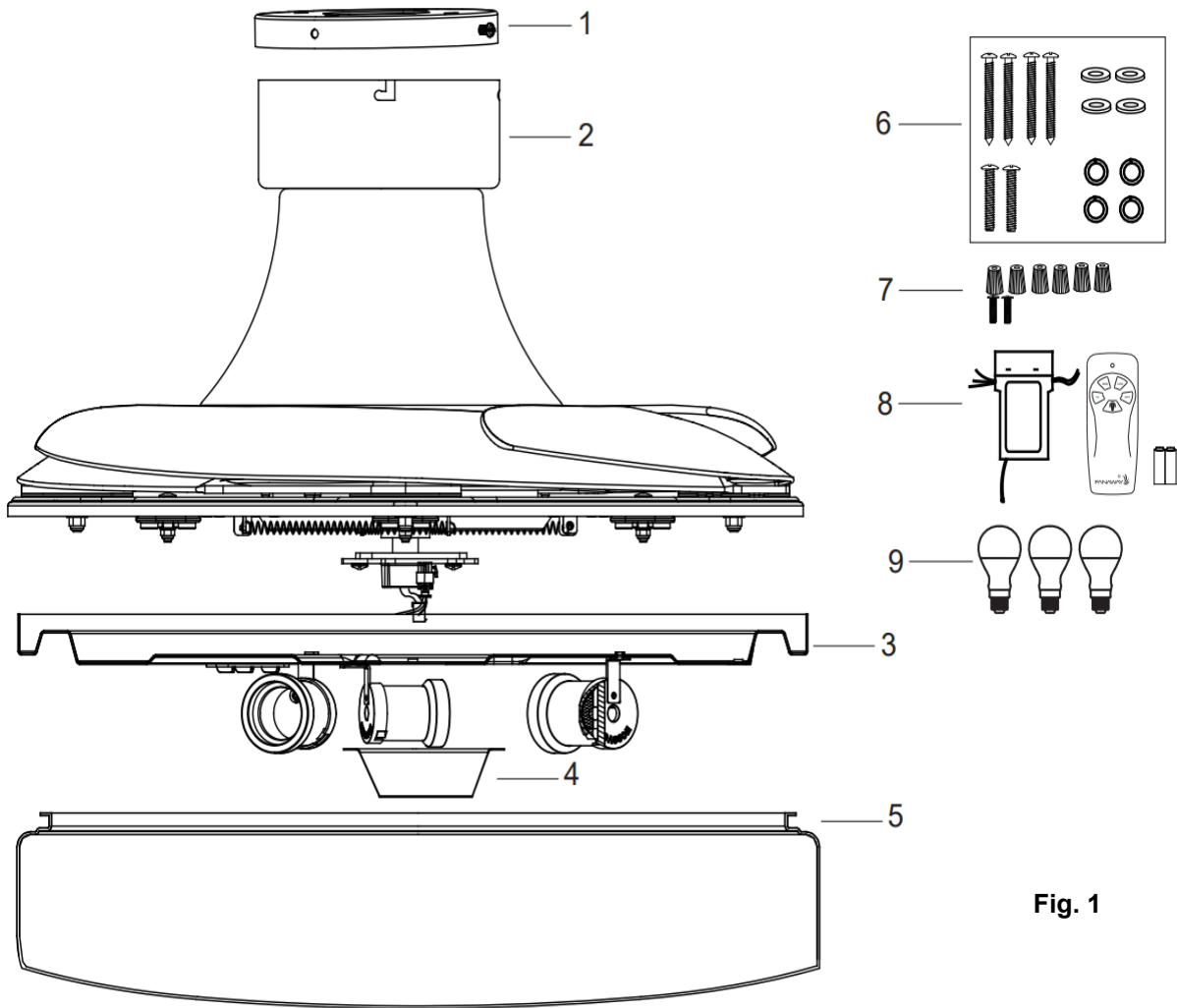


Fig. 1

1	Mounting bracket x 1	6	• Wood screw x 4
2	Fan assembly x 1		• Machine screw x 2
3	Light kit plate x 1		• Flat washer x 4
4	Cover x 1		• Spring washer x 4
5	Lamp Shade x 1	7	Wire nut x 6 & screws x 2
8	Receiver & Remote x 1 Set	9	LED bulb x 3

INSTALLING THE MOUNTING BRACKET

If there isn't an existing outlet box, then install one using the following instructions:

- Disconnect the power by removing the fuses or turning off the circuit breakers.
- Secure the outlet box (A) (not included) directly to the building structure. Use appropriate fasteners and materials (not included). The outlet box and its bracing must be able to fully support the weight of the moving fan (at least 70 lbs). Do not use a plastic outlet box.
- **Figures 2-3** below show different ways to mount the outlet box (A) (not included).

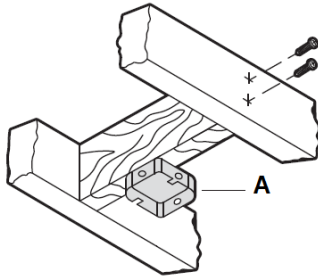


Fig. 2

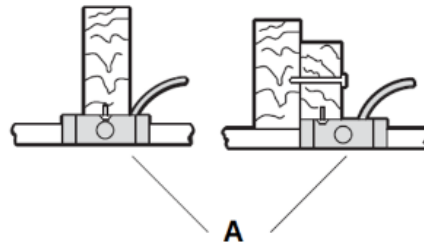


Fig. 3

NOTE: The ceiling fan must be installed in a location so that the blades are spaced 300mm from the tip of the blade to the nearest objects or walls.

To hang your fan where there is an existing fixture but no ceiling joist, you may need an installation hanger bar (C) as shown in **Fig.4**. Make sure the hanger bar you purchase has been designed for use with ceiling fans.

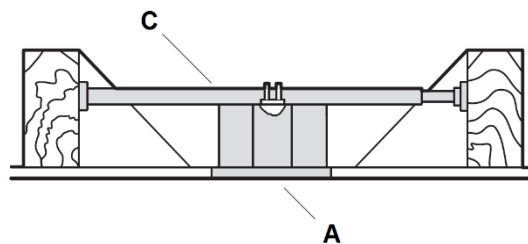


Fig. 4

ANGLED CEILING INSTALLATION

The hanging system of this fan is **ONLY** suitable for flat ceiling installation.

DO NOT install the fan on an angled ceiling.

INSTALLING THE FAN

INSTALLING THE MOUNTING BRACKET

Pass the power supply wires (C) from the ceiling outlet box (B) through the center of the ceiling mounting bracket (D). Install the ceiling mounting bracket (D) on the outlet box (B) with the mounting screws (F) provided with the outlet box and washers (E) provided with fan. **Fig. 5**

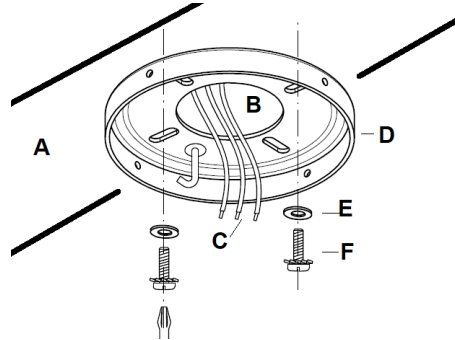


Fig. 5

HANGING THE FAN ASSEMBLY

- Lift the fan assembly (1) up to the mounting bracket. Hang the fan assembly onto the J-hook (2) of the mounting bracket. **(Fig.6)**

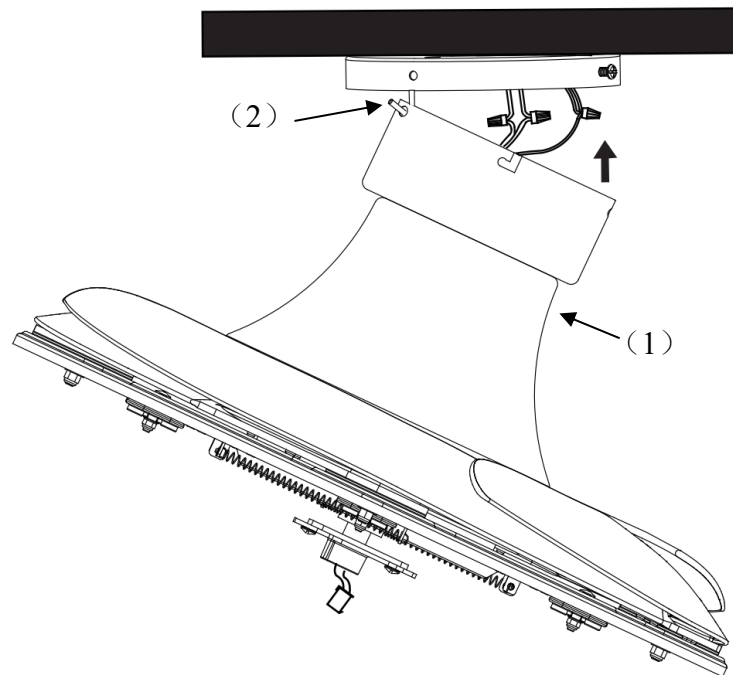


Fig. 6

Complete the electrical wiring using the diagram below **(Figure. 7)**.



ELECTRICAL WIRING DIAGRAM

WARNING: To avoid possible electrical shock, be sure you have turned off the power at the main circuit panel.

Follow the steps below to connect the fan to your household wiring. Use the wire connecting nuts supplied with your fan. Secure the connectors with electrical tape. Make sure there are no loose wire strands or connections. **Fig. 7**

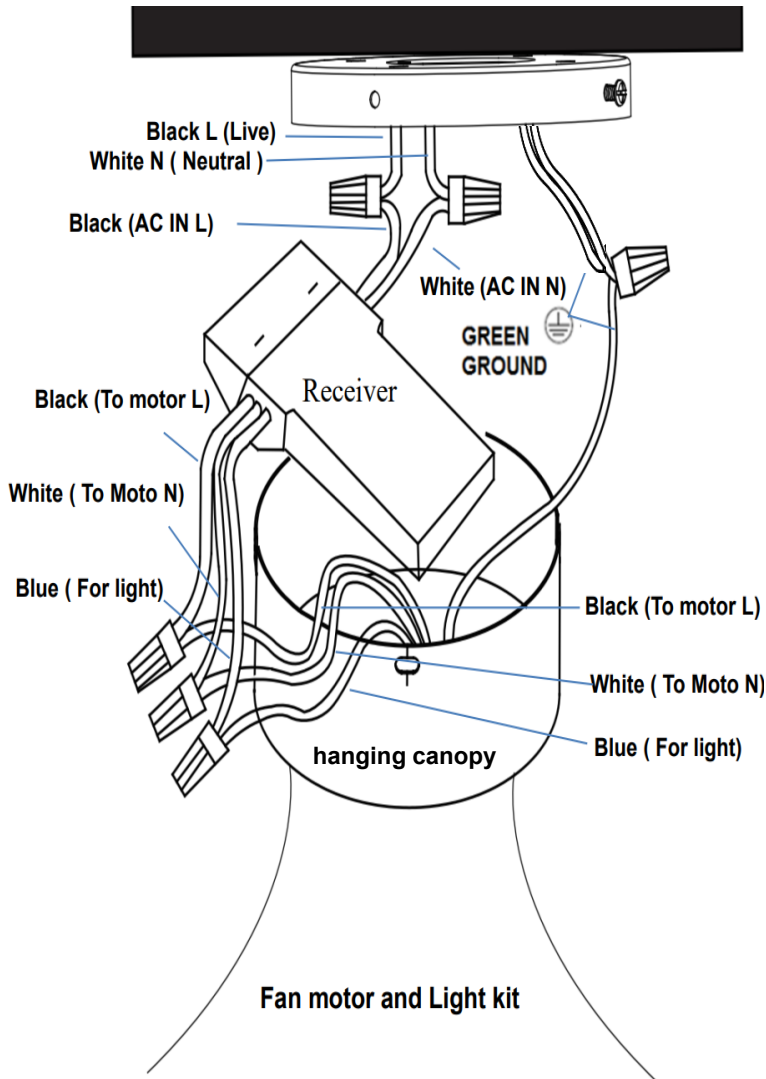


Fig. 7

1. Connect the household live supply wire (black) to receiver input wire (black, AC IN L) as shown in **Fig. 7**
2. Connect the household neutral supply wire (white) to the receiver input wire (white, AC IN N).
3. Connect the household ground wire to the fan mounting bracket ground wire (green) and fan body ground wire.
4. Connect the receiver output wire (black, TO MOTOR L) to motor live input wire (black, TO MOTOR L).
5. Connect the receiver output wire (white, TO MOTOR N) to motor neutral input wire (white, TO MOTOR N)
6. Connect the receiver output wire (blue, FOR LIGHT) to fan light live input wire (blue, FOR LIGHT)
7. After connecting the wires, Turn the connecting nuts upward and push the wiring into the fan hanging canopy.
8. Carefully put the Receiver into the fan hanging canopy. Take care not to damage or loosen any of the wiring.



INSTALL THE FAN ASSEMBLY TO THE MOUNTING BRACKET

Install the fan assembly to the mounting bracket (**Fig.8a**):

- Loosen two canopy screws (1) and remove from the mounting bracket.
- Loosen two canopy screws with star washer (2) by half thread from the mounting bracket. (For L-shape slot on canopy to be mounted).

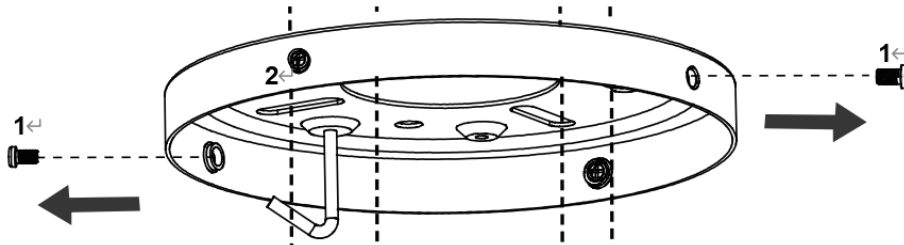


Fig. 8a

- Lift the hanging canopy (3) of the fan assembly up to the mounting bracket and let the L-shape slot on the hanging canopy (3) go through the two canopy screws with star washer (2). (**Fig.8b**)
- Turn the hanging canopy (3) until it locks in place at the end section of the L-shape slot, ensure the star washer are between the hanging canopy (3) and screw head. Secure it by tightening the two canopy screws with star washer (2).
- Secure and tighten the canopy screws (1) to the mounting bracket. The hanging canopy (3) shall have 4 screws (1) & (2) in total. Avoid damaging the electrical wiring prepared previously when hanging the canopy.

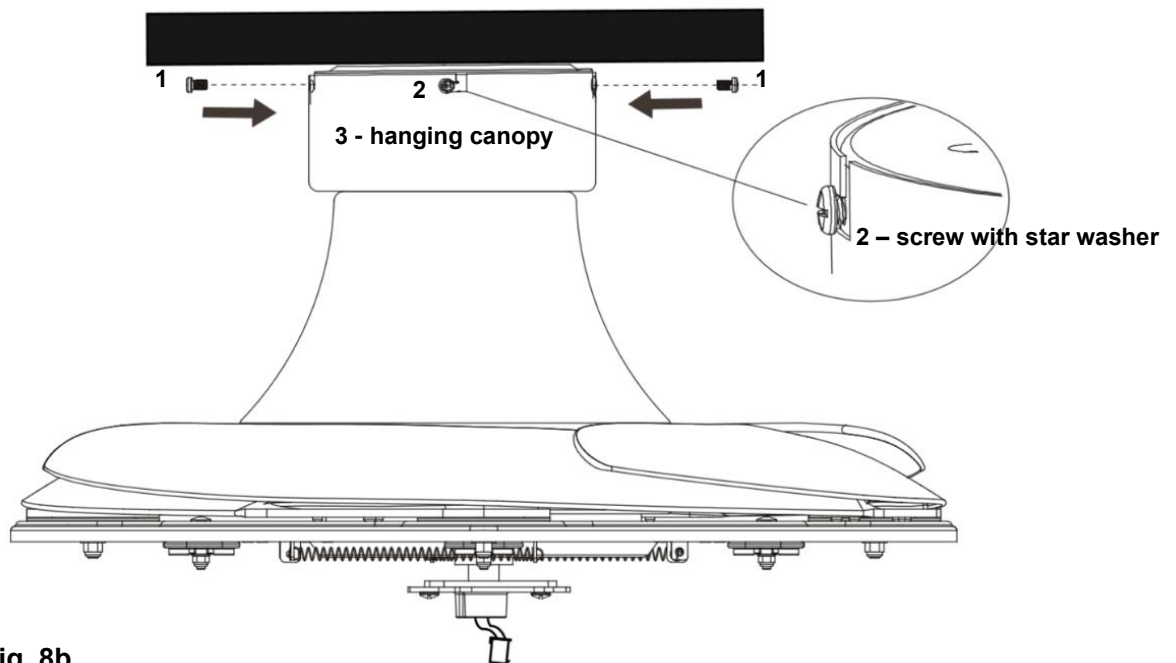


Fig. 8b



FAN INSTALLATION

LIGHT KIT INSTALLATION (Fig.9 & 10&11)

1. Loosen the screw (2) from the fan bracket. Align the two slot screws with the keyhole slot (1) and (3) of the light kit plate. (**Fig. 9**)
2. Turn the light kit counterclockwise until the slot screws are firmly at the end of the slots (2).
3. Secure screw (2) to the light kit plate. Tighten all three screws. Do not over-tighten.

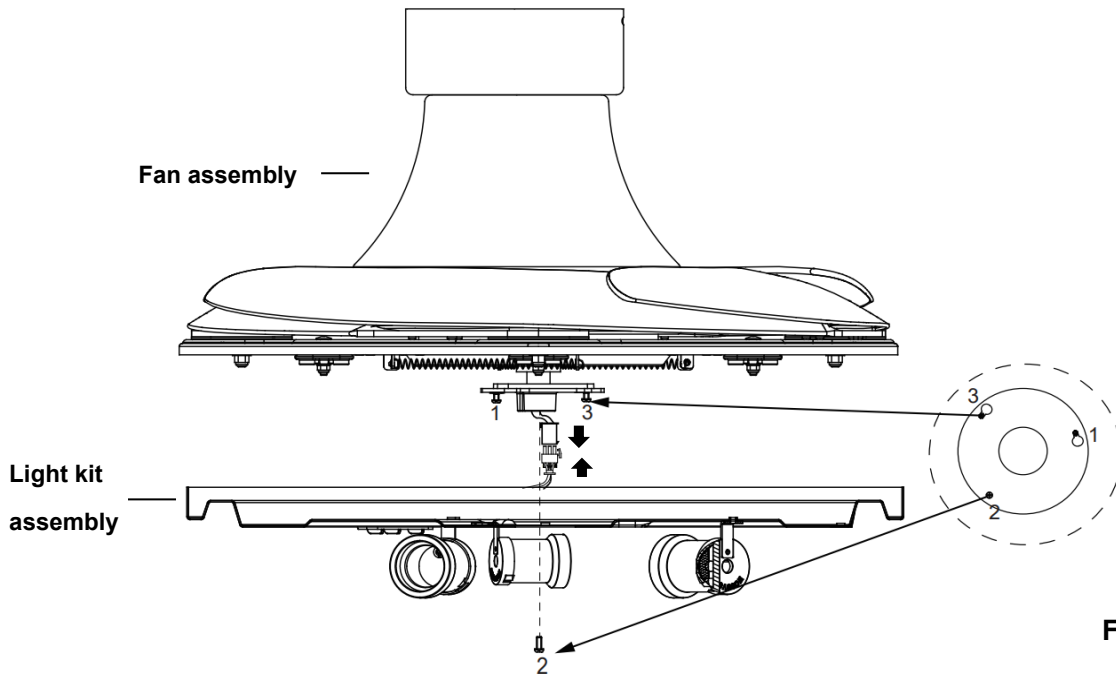


Fig. 9

4. Connect the quick connector of fan assembly to the quick connector of the light kit assembly (Fig. 9).
5. Loosen the screw (6) from the light kit plate. Align the two slot screws with the keyhole slot (4) and (5) of the light kit plate cover. (Fig. 10)
6. Turn the cover counterclockwise until the slot screws are firmly at the end of the slots (6).
7. Secure screw (6) to the light kit plate cover. Tighten all three screws. Do not over-tighten.

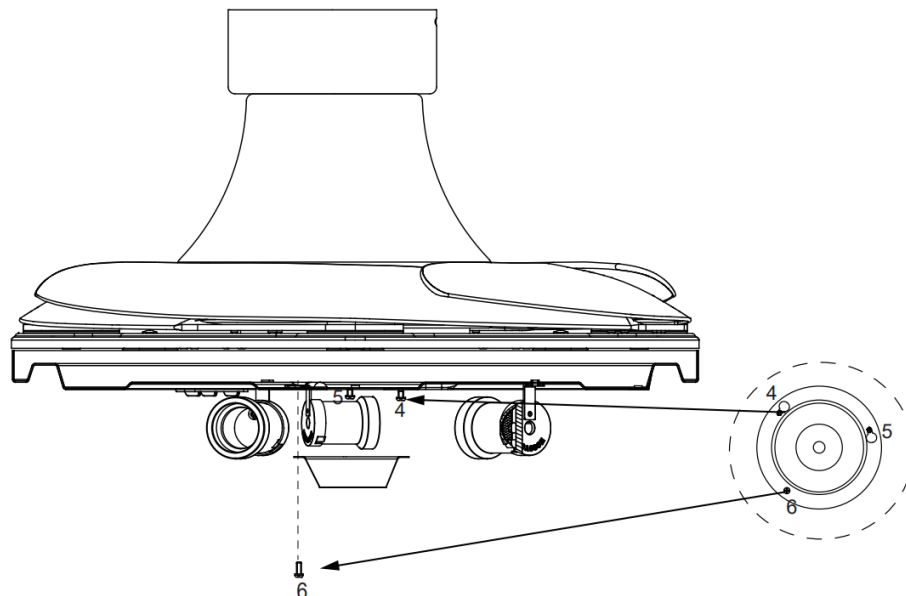


Fig. 10



8. Install the globes to the lamp holders. Do not exceed the maximum power rating (**Fig. 11**).
9. Finally install the lamp Shade to the light kit plate by turning it clockwise.

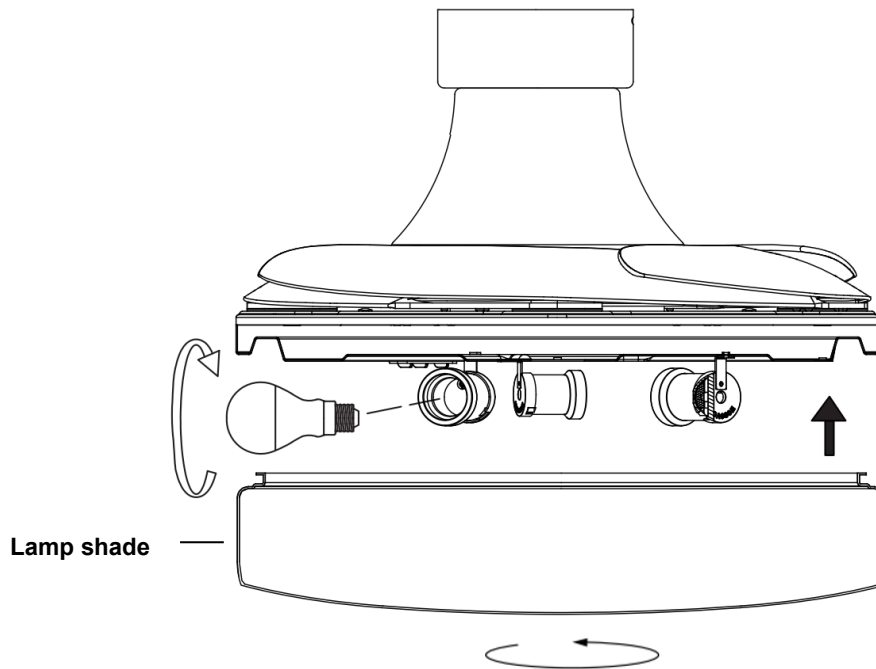


Fig. 11

INSTALLING THE TRANSMITTER HOLDER Fig. 12

Install the holder to the wall with two screws provided, hang up the transmitter by the holder.

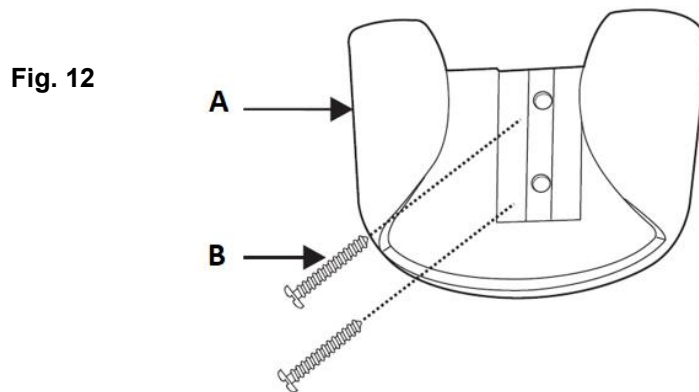


Fig. 12

USING YOUR CEILING FAN

SETTING DIP SWITCHES

When two or more fans are located near each other, you may desire to have the receiver/transmitter for each fan set to a different code, so that the operation of one fan does not affect the operation of the other fans.

The DIP switches for the receiver are located on the flat surface of the receiver. The DIP switches for the transmitter are in the battery compartment. **Fig. 13**.

NOTE: Ensure that the power to the supply wires has been turned off before setting the code.

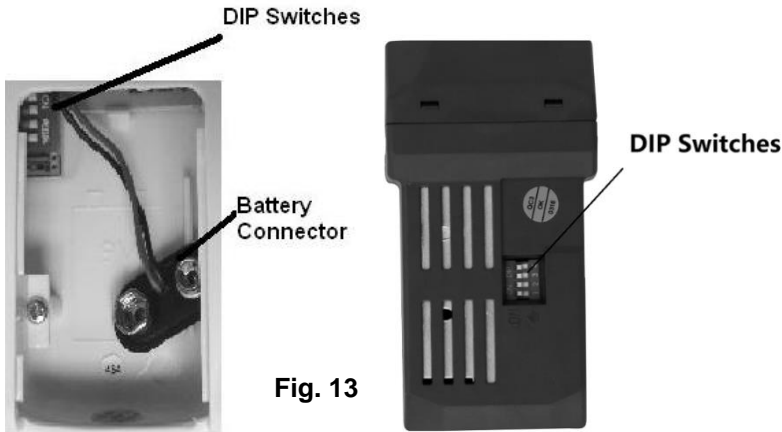


Fig. 13

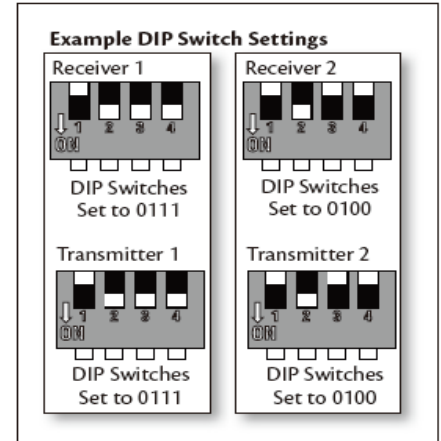


Fig. 14

Change the position of the DIP switches in the remote transmitter and the receiver. Make sure that the DIP switches match in the remote receiver and transmitter. If they don't match, the transmitter will not function. **Fig. 15**

INSTALLING THE REMOTE BATTERY

1 x 9V DC (size) battery is required to operate the remote control. Remove the battery cover from the back of the remote and install 1 x 9V DC (size) battery. Ensure the polarities are correct as shown on the battery connector. (Batteries included.)

OPERATING THE REMOTE:

Before you start using the remote, take the time to read through this section and get familiar with the buttons and function of each button.

LED Indicator

The red LED indicator on the top of the transmitter will flash when the buttons are active.

BUTTONS ON THE REMOTE

HI: Press the button to set fan running at High speed.

MED: Press the button to set fan running at Medium speed.

LOW: Press the button to set fan running at Low speed.

OFF: Press the button to turn OFF the fan.



LIGHT CONTROL BUTTON:

Press the button to turn the light ON/OFF.

Press and hold the button to access the light dimming function.



Fig. 15

The remote has memory function. If the fan or light is turned off by the isolating switch, it will memorise and recover the last status when turned on next.



REVERSING FUNCTION (Fig. 16)

Your ceiling fan can operate in either summer or winter mode.

SUMMER Mode: The reverse switch should be in the SUMMER position to rotate the fan in an anticlockwise direction. The airflow will be directed downwards, for cooling in summer.

WINTER Mode: The reverse switch should be in the WINTER position to rotate the fan in a clockwise direction. The airflow will be directed upwards assisting in the circulation of warm air, for energy conservation in winter.

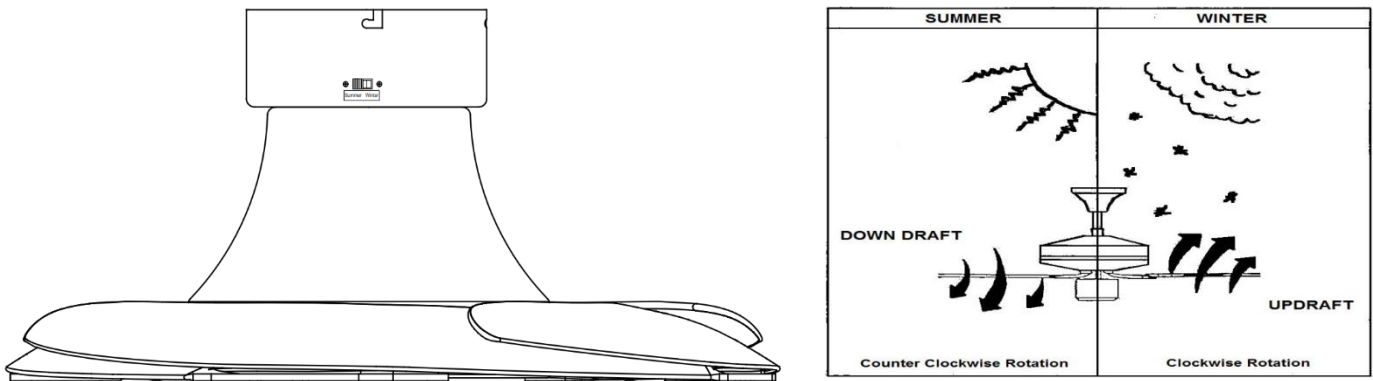


Fig. 16

AFTER INSTALLATION

WOBBLE:

NOTE: ceiling fans tend to move during operation due to the fact that they are mounted on a rubber grommet. If the fan was mounted rigidly to the ceiling it would cause excessive vibration. Movement of a few centimetres is quite acceptable and DOES NOT suggest any problem.

TO REDUCE THE FAN WOBBLE: Please check that all screws which fix the mounting bracket.

NOISE:

When it is quiet (especially at night) you may hear occasional small noises. Slight power fluctuations and frequency signals superimposed in the electricity for off-peak hot water control, may cause a change in fan motor noise. This is normal. Please allow a 24-hour “breaking -in” period, most noises associated with a new fan disappear during this time. All electric motors are audible to some extent. Please note that this is not a product fault, and as such is not covered under warranty.

CARE & CLEANING

NOTE: Always turn OFF the power at the mains switch before performing any maintenance or attempting to clean your fan.

- 1) Every 6 months periodic cleaning of your ceiling fan is the only maintenance required. Use a soft brush or lint free cloth to avoid scratching the paint finish. Please turn OFF electricity power when you do so.
- 2) Do not soak or immerse your ceiling fan in water or other liquids. It could damage the motor or the blades and create the possibility of an electrical shock.
- 3) Ensure that the fan does not come in contact with any organic solvents or cleaners.
- 4) To clean the fan blade, wipe with only a damp clean cloth with NO organic solvents or cleaners.
- 5) The motor has a permanently lubricated ball bearing so there is no need to oil.

TECHNICAL INFORMATION

Fan Size	Speed	Volts (V)	Amps (A)	Watts (W)	RPM	CFM	CFM/W	N.W. (lbs)	C.F.
BI-36" FAN -MYA-E26-XXX	Extra-High	120	0.46	54.92W	285	3042.43	55.4	17.2	3.05
	Medium High	120	0.34	27.35W	219	2146.70	78.49	17.2	3.05
	Low	120	0.23	12.48W	170	1332.89	106.8	17.2	3.05

These are approximate measurements. They do not include data for any lamps or fixtures attached to the ceiling fan.

WARRANTY

1 year warranty covers the entire fan. Please refer to warranty card for the details.

E**GRACIAS POR SU COMPRA**

Gracias por adquirir este producto Fanaway de calidad. Para garantizar el correcto funcionamiento y la seguridad de este ventilador de techo, antes de armarlo, instalarlo y usarlo lea y siga todas las instrucciones. Conserve estas instrucciones para consultas en el futuro.

MEDIDAS DE SEGURIDAD**Lea y conserve estas instrucciones**

Este producto está conforme con el estándar UL 507.

1. **ADVERTENCIA** - Para evitar cualquier posible descarga eléctrica, antes de instalar o reparar su ventilador desconecte la alimentación apagando el disyuntor del circuito de la caja de fusibles a la caja de salida.
2. **ADVERTENCIA** - Para disminuir el riesgo de que se produzcan fuegos, descargas eléctricas o lesiones personales, arme la caja de salida marcada como «apta para soportar ventilador de 70 lb (31,8 kg) o más» y use los tornillos de armado incluidos con la caja de salida y/o instálelo directamente a la estructura del edificio. La mayoría de las cajas de salida usadas normalmente para instalar luminarias no son aptas para instalar ventiladores y puede ser necesario reemplazarlas. En caso de duda, consulte con un electricista calificado.
3. Apto para utilizarse con controles de velocidad de estado sólido.
4. **ADVERTENCIA** - Para disminuir el riesgo de que se produzcan lesiones personales, no doble los soportes de las aspas al instalarlos para equilibrar las aspas o al limpiar el ventilador. No inserte objetos extraños entre las aspas giratorias del ventilador.
5. **PRECAUCIONES** - Todo el cableado debe estar conforme con el Código Eléctrico Nacional (ANSI/NFPA 70) y los códigos eléctricos locales. La instalación eléctrica debe ser realizada por un electricista calificado con licencia.
6. Para disminuir el riesgo de sufrir lesiones personales, el ventilador debe ubicarse a una distancia mínima de 7 pies (2,13 m) entre el borde de la parte inferior de las aspas y el suelo.
7. Después de hacer las conexiones eléctricas, los conductores empalmados se deben voltear hacia arriba y empujar con cuidado al interior de la caja de salida. Los cables deben estar separados con el conductor conectado a tierra y el conductor de descarga a tierra de equipos en un lado de la caja de salida.
8. Este equipo fue probado y se demostró que cumple con los límites de un dispositivo digital de Clase B, según la parte 15 de las reglas de la FCC. Estos límites se establecieron para proporcionar una protección razonable contra la interferencia dañina en una instalación residencial. Este equipo genera, usa y puede radiar energía de frecuencias de radio y, de no instalarse y utilizarse de

acuerdo con las instrucciones, puede causar interferencia dañina con las comunicaciones de radio.

9. PRECAUCIÓN - Para reducir el riesgo de descarga eléctrica, desconecte el circuito de suministro eléctrico del ventilador antes de instalar el juego de luces.
10. El peso de la placa del juego de luces es de 1,56 kg.

LISTA DE PIEZAS

- Desempaque el ventilador con cuidado. Saque todas las piezas y la tornillería.
- Deposite todos los componentes sobre una superficie lisa y verifique que no falta ninguno antes de iniciar el armado. Si falta alguna pieza, regrese el producto completo al lugar donde lo adquirió para que lo examinen o reemplacen.
- Compruebe si el ventilador de techo se dañó durante el transporte. No ponga en funcionamiento ni instale ningún producto que presente cualquier tipo de daño. Regrese el producto completo al lugar donde lo adquirió para que lo examinen, reparen o reemplacen.
- Examine e identifique las piezas. Consulte la **Fig. 1**.

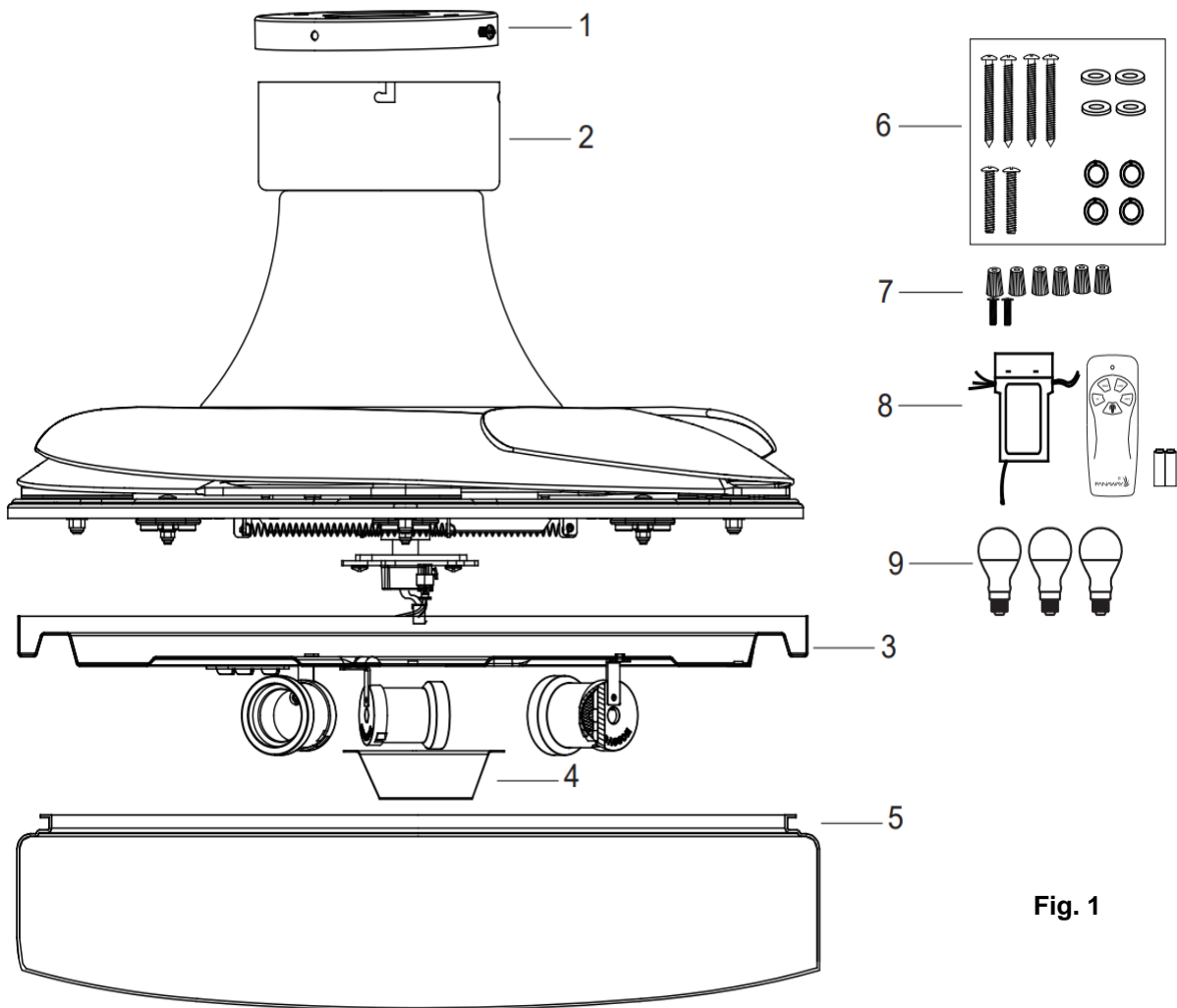


Fig. 1

1	1 soporte de armado	6	• 4 tornillos para madera
2	1 conjunto de ventilador		• 2 tornillos de máquina
3	1 placa de juego de luces		• 4 arandelas planas
4	1 tapa		• 4 arandelas de resorte
5	1 pantalla de lámpara	7	6 tuercas de cable y 2 tornillos
8	1 juego de receptor y control remoto	9	3 lámparas LED

INSTALACIÓN DEL SOPORTE DE ARMADO

Si no hay ya una caja de salida, instale una siguiendo estas instrucciones:

- Desconecte el suministro eléctrico retirando los fusibles o apagando los disyuntores de circuito.
- Fije la caja de salida (A) (no incluida) directamente a la estructura del edificio. Use fijaciones y materiales apropiados (no incluidos). La caja de salida y su soporte deben ser capaces de soportar completamente el peso del ventilador en movimiento (al menos 70 libras o 31,8 kg de peso). No use una caja de salida de plástico.
- **Las figuras 2-3** siguientes muestran tres tipos distintos de armado de la caja de salida (A) (no incluida).

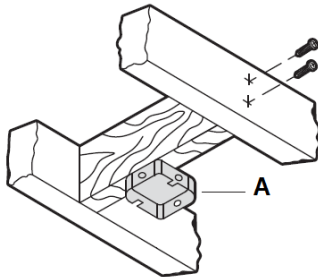


Fig. 2

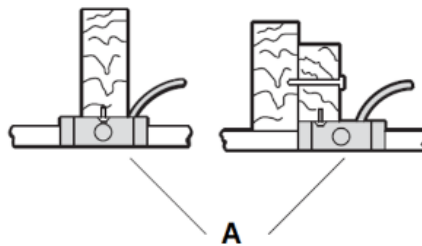


Fig. 3

NOTA: El ventilador de techo debe instalarse en un lugar donde las puntas de las aspas queden a una distancia de 300 mm del objeto o pared más cercano.

Para colgar el ventilador donde ya existe una luminaria pero no hay una viga de techo, es posible que necesite instalar una barra de colgado (C) como se ilustra en la **Fig. 4**. Asegúrese de que la barra de colgado que compra se ha diseñado para utilizarse con ventiladores de techo.

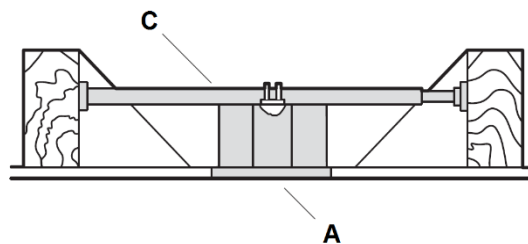


Fig. 4

INSTALACIÓN EN UN TECHO INCLINADO

El sistema de colgado de este ventilador SOLO es apto para instalar el ventilador en techos planos.

NO instale el ventilador en techos inclinados.

INSTALACIÓN DEL VENTILADOR

INSTALACIÓN DEL SOPORTE DE ARMADO

Pase los cables de alimentación eléctrica (C) de la caja de salida del techo (B) a través del centro del soporte de armado en el techo (D). Instale el soporte de armado en el techo (D) en la caja de salida (B) con los tornillos de armado (F) suministrados con la caja de salida y las arandelas (E) incluidas con el ventilador. **Fig. 5**

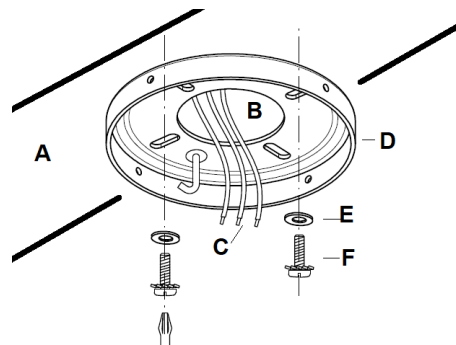


Fig. 5

CÓMO COLGAR EL VENTILADOR

- Eleve el conjunto del ventilador (1) sobre el soporte de armado. Cuelgue el conjunto del ventilador en el gancho en forma de J (2) del soporte de armado. (**Fig. 6**)

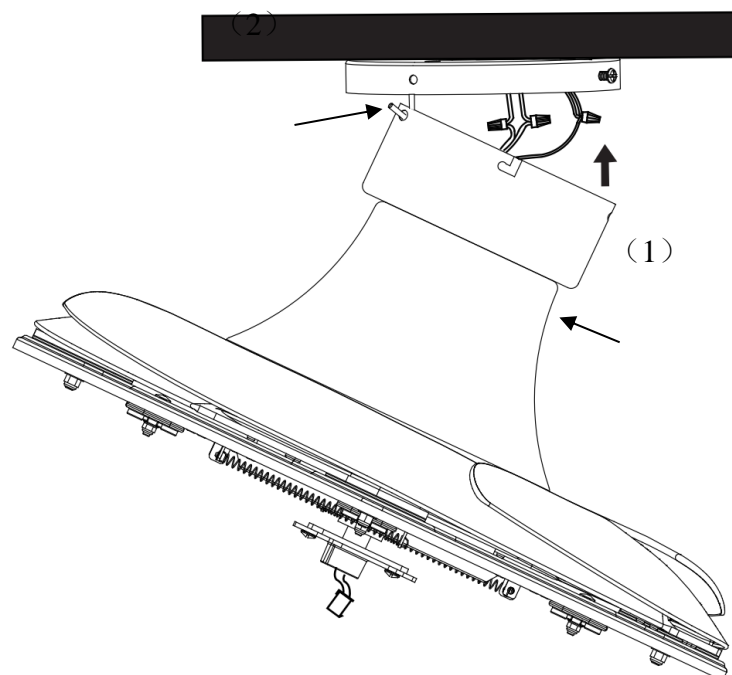


Fig. 6

Complete el cableado eléctrico usando el siguiente diagrama (**Figura 7**).

DIAGRAMA DE CABLEADO ELÉCTRICO

ADVERTENCIA: Para evitar cualquier posible descarga eléctrica, asegúrese de haber desconectado la alimentación eléctrica en el panel de circuito general.

Siga los pasos que aparecen a continuación para conectar el ventilador al cableado de su casa. Use las tuercas de conexión de cable que se suministran con su ventilador. Fije los conectores con cinta eléctrica. Asegúrese de que no haya hilos de cables sueltos o conexiones flojas. **Fig. 7**

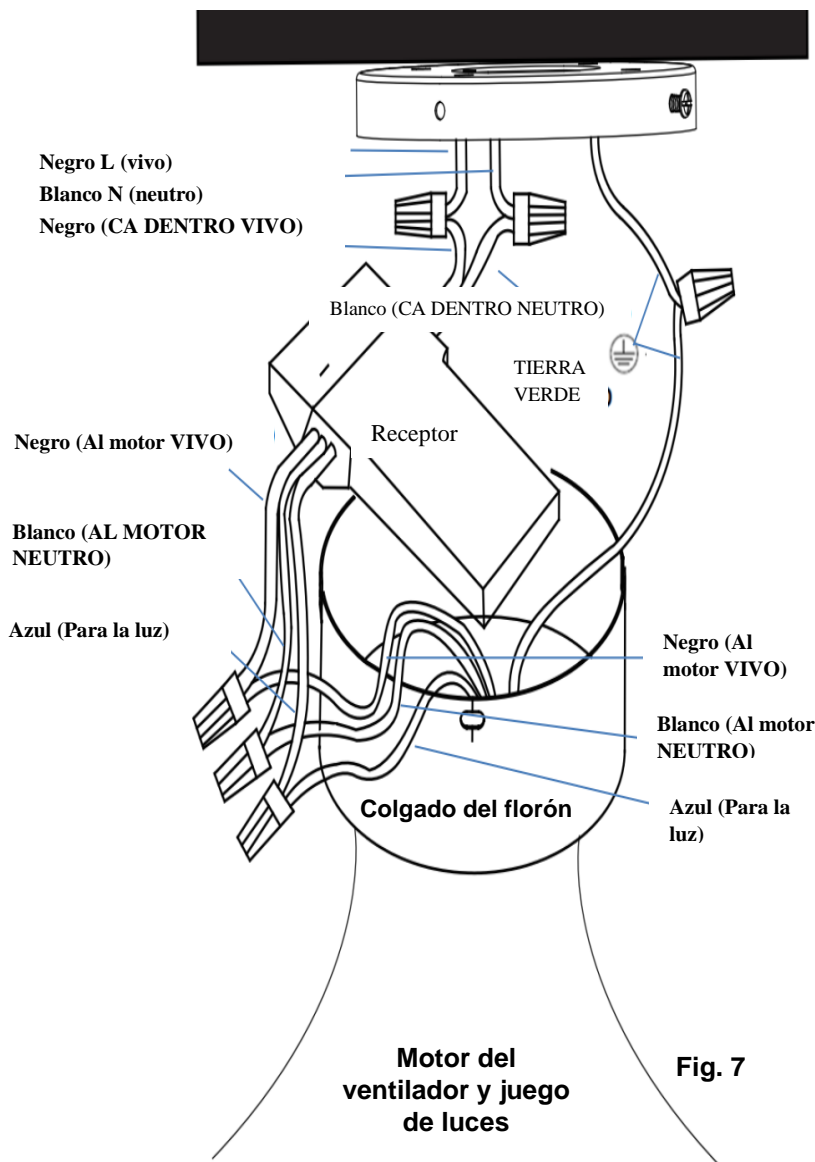


Fig. 7

1. Conecte el cable vivo de la alimentación de la casa (negro) al cable de entrada del receptor (negro, CA DENTRO VIVO), como se muestra en la **Fig. 7**.
2. Conecte el cable neutro de la alimentación de la casa (blanco) al cable de entrada del receptor (blanco, CA DENTRO NEUTRO).
3. Conecte el cable de tierra de la casa al cable de tierra del soporte del ventilador (verde) y al cable de tierra de la carcasa del ventilador.
4. Conecte el cable de salida del receptor (negro AL MOTOR VIVO) al cable de entrada vivo del motor (negro, AL MOTOR VIVO).
5. Conecte el cable de salida del receptor (blanco, AL MOTOR NEUTRO) al cable de entrada neutro del motor (blanco, AL MOTOR NEUTRO).
6. Conecte el cable de salida del receptor (azul, PARA LA LUZ) al cable de entrada vivo de la luz del ventilador (azul, PARA LA LUZ)
7. Después de conectar los cables, gire

las tuercas de conexión hacia arriba y presione el cableado hacia el interior del florón.

8. Introduzca con cuidado el receptor dentro del florón. Tome precauciones para no dañar o aflojar ninguno de los cables.

INSTALACIÓN DEL CONJUNTO DEL VENTILADOR EN EL SOPORTE DE ARMADO

Instale el conjunto del ventilador sobre el soporte de armado (**Fig. 8a**):

- Afloje dos tornillos del florón (1) y retírelos del soporte de armado.
- Afloje dos tornillos del florón con arandela de estrella (2) del soporte de armado hasta la mitad. (Para armar la ranura en L en el florón).

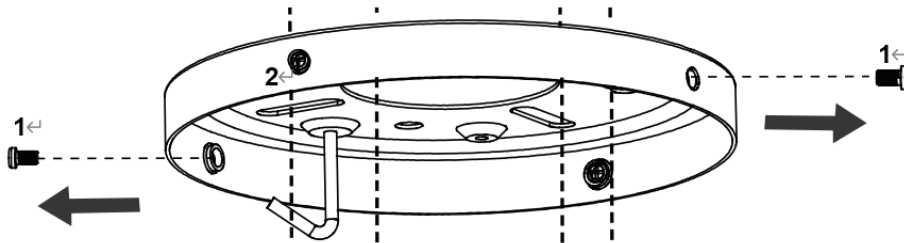


Fig. 8a

- Eleve el florón (3) del conjunto del ventilador hasta el soporte de armado y deje que la ranura en forma de L del florón (3) pase por los dos tornillos del florón con una arandela de estrella (2). (**Fig. 8b**)
- Gire el florón (3) hasta que encaje en su lugar en la sección final de la ranura en forma de L. Asegúrese de que la arandela de estrella esté entre el florón (3) y la cabeza del tornillo. Asegúrelo apretando los dos tornillos del florón con una arandela de estrella (2).
- Asegure y apriete los tornillos del florón (1) al soporte de armado. El florón (3) deberá tener 4 tornillos (1) y (2) en total. Evite dañar el cableado eléctrico previamente instalado al colgar el florón.

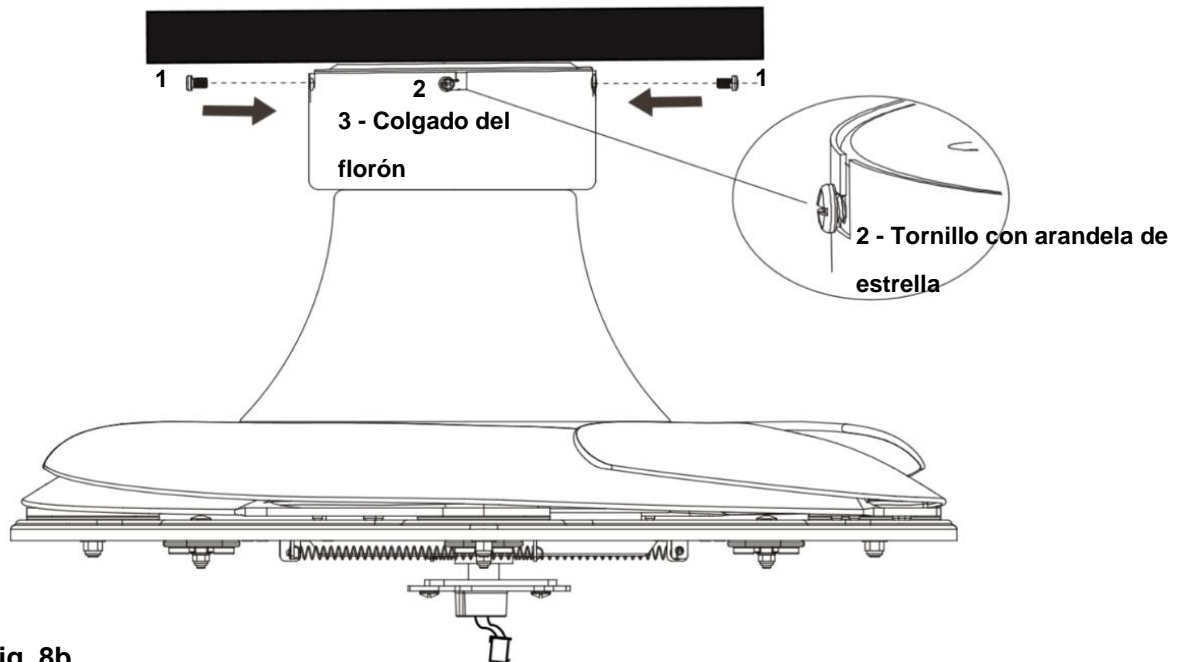


Fig. 8b

INSTALACIÓN DEL VENTILADOR

INSTALACIÓN DEL JUEGO DE LUCES (Fig. 9, 10 y 11)

1. Afloje el tornillo (2) del soporte del ventilador. Alinee los dos tornillos de cabeza ranurada con la ranura (1) y (3) de la placa del juego de luces. (**Fig. 9**)
2. Gire el kit de iluminación en sentido antihorario hasta que los tornillos de cabeza ranurada queden firmes en el extremo de las ranuras (2).
3. Fije el tornillo (2) al soporte del conjunto de luces. Apriete los tres tornillos. No los apriete en exceso.

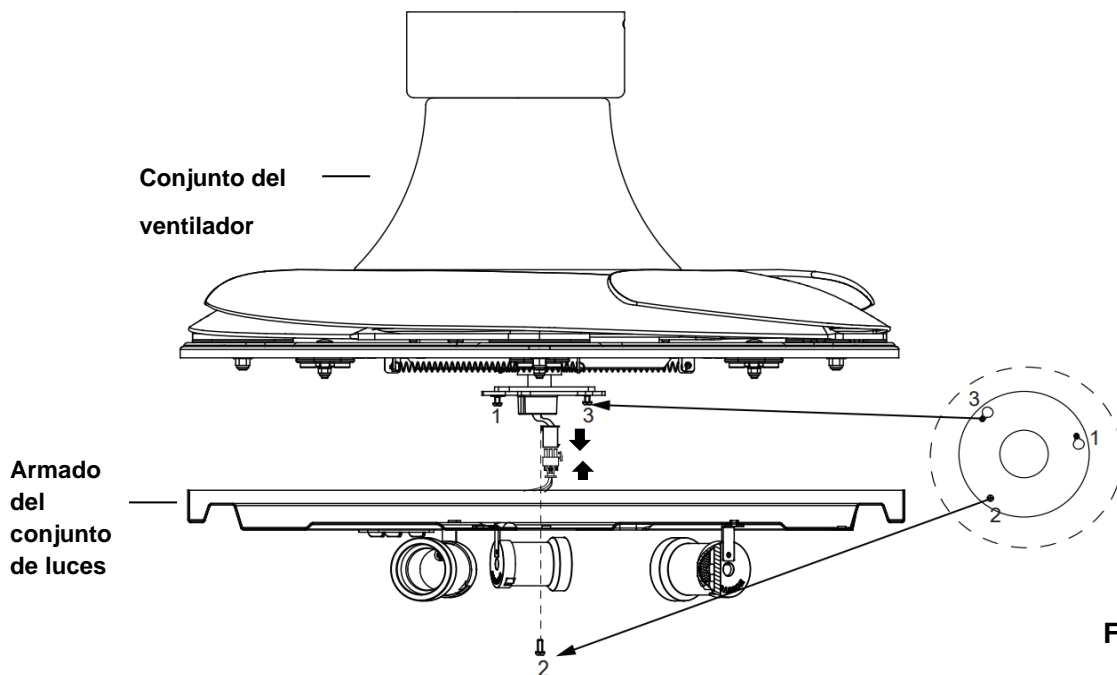


Fig. 9

4. Conecte el conector rápido del conjunto del ventilador al conector rápido del conjunto del juego de luces (Fig. 9).
5. Afloje el tornillo (6) de la placa del juego de luces. Alinee los dos tornillos de cabeza ranurada con las ranuras (4) y (5) de la tapa de la placa del juego de luces. (Fig. 10)
6. Gire la tapa en sentido antihorario hasta que los tornillos de cabeza ranurada queden bien fijados en el extremo de las ranuras (6).
7. Fije el tornillo (6) a la tapa de la placa del juego de luces. Apriete los tres tornillos. No los apriete en exceso.

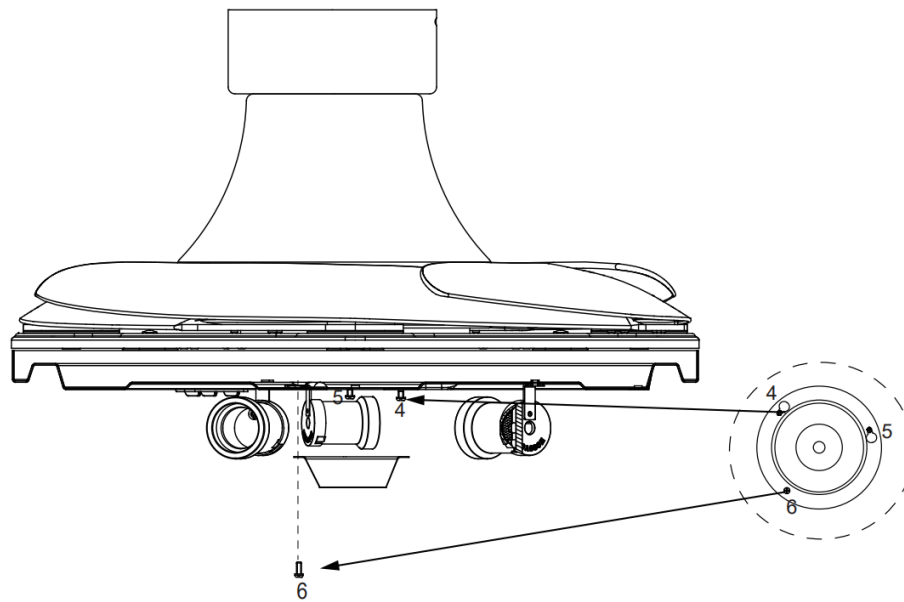


Fig. 10

8. Instale las lámparas en los portalámparas. No exceda la potencia máxima nominal (**Fig. 11**).
9. Para terminar, instale la pantalla de la lámpara en la placa del juego de luces girándola en sentido horario.

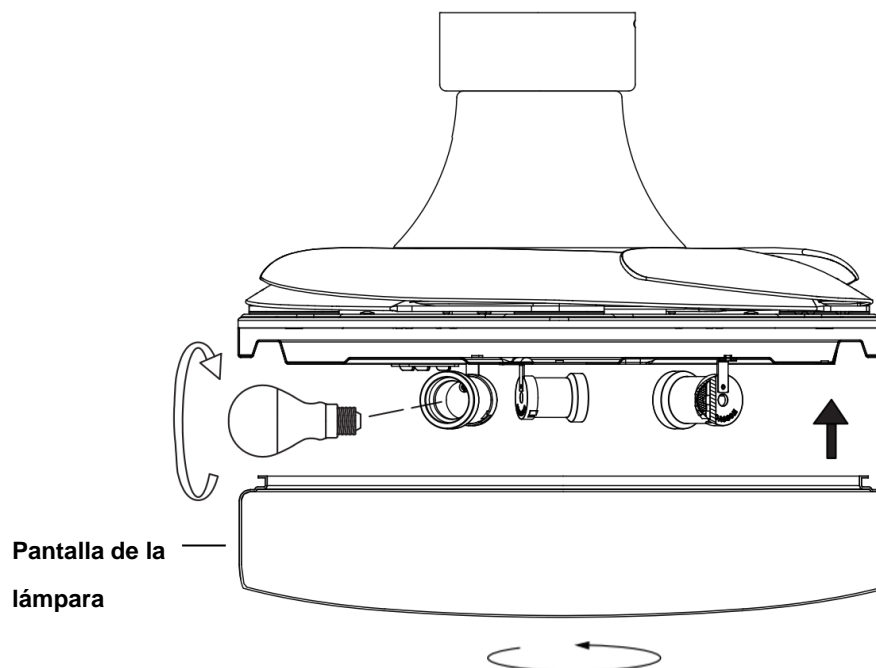
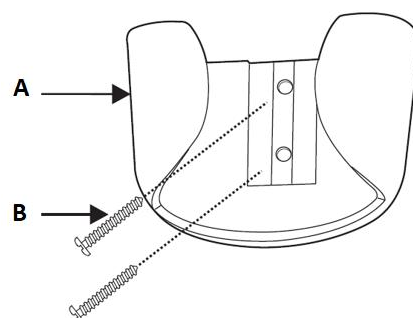


Fig. 11

INSTALACIÓN DEL SOPORTE DEL TRANSMISOR Fig. 12

Instale el soporte en la pared con los dos tornillos suministrados y cuelgue el transmisor del soporte.

Fig. 12



USO DEL VENTILADOR DE TECHO

CONFIGURACIÓN DE LOS INTERRUPTORES DIP

Cuando uno o más ventiladores se encuentran a poca distancia uno del otro, podría ser conveniente tener un código diferente para el receptor/transmisor de cada ventilador, de manera que la operación de un ventilador no afecte la de los otros ventiladores.

Los interruptores DIP del receptor están ubicados en la superficie plana del receptor. Los interruptores DIP del transmisor están en el compartimiento de la batería. **Fig. 13**

NOTA: Asegúrese de que los cables de alimentación no tienen suministro eléctrico antes de ajustar el código.

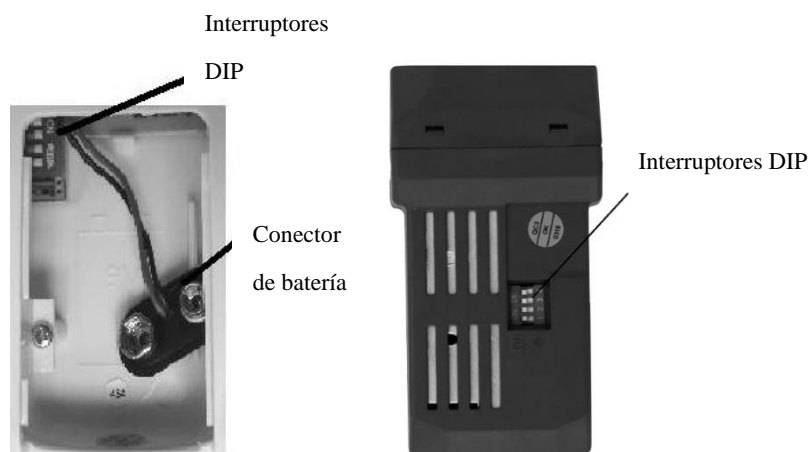


Fig. 13

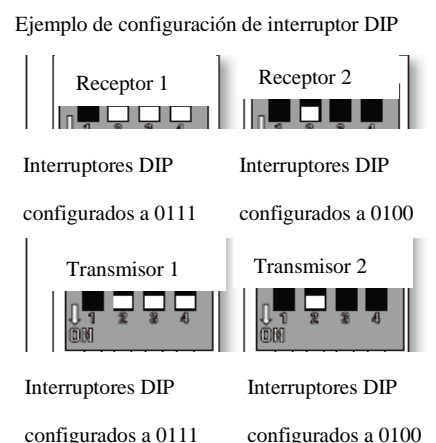


Fig. 14

Cambie de posición los interruptores DIP en el transmisor y receptor remotos. Compruebe que los interruptores DIP del transmisor y receptor remotos se corresponden. Si no se corresponden, el transmisor no funcionará. **Fig. 15**

INSTALACIÓN DE LA BATERÍA DEL CONTROL REMOTO

El control remoto funciona con 1 batería de 9V CC (tamaño). Retire la tapa de la batería ubicada en la parte posterior del control remoto e inserte 1 batería de 9V CC (tamaño). Compruebe que las polaridades están en dirección correcta como se indica en el conector de la batería. (Batería incluida)

FUNCIONAMIENTO DEL CONTROL REMOTO

Antes de comenzar a usar el control remoto, tómese un tiempo para leer esta sección y familiarizarse con los botones y la función de cada uno de ellos.



Fig. 15

Indicador LED

El indicador LED rojo situado en la parte superior del transmisor parpadea cuando los botones están activos.

BOTONES DEL CONTROL REMOTO

HI (alto): Presione el botón para que el ventilador funcione a velocidad alta.

MED (media): Presione el botón para que el ventilador funcione a velocidad media.

LOW (baja): Presione el botón para que el ventilador funcione a velocidad baja.

OFF (apagado): Presione el botón para apagar el ventilador.



BOTÓN DE CONTROL DE LUZ:

Presione el botón para encender o apagar la luz.

Mantenga presionado el botón para acceder a la función de atenuación de la luz.

El control remoto tiene función de memoria. Si el ventilador o la luz se apagan mediante el interruptor de aislamiento, lo memorizará y restablecerá el último estado al encenderlo de nuevo.

FUNCIÓN DE INVERSIÓN DEL GIRO (Fig. 16)

Su ventilador de techo posee un modo de verano y un modo de invierno.

Modo de VERANO: El interruptor de inversión de giro debe estar en posición de VERANO para que el ventilador gire en sentido antihorario. El flujo del aire se dirigirá hacia abajo para refrescar en verano.

Modo de INVIERNO: El interruptor de inversión de giro deberá estar en posición de INVIERNO para que el ventilador gire en sentido horario. El flujo de aire se dirigirá hacia arriba ayudando a la circulación del aire caliente para ahorrar energía en invierno.

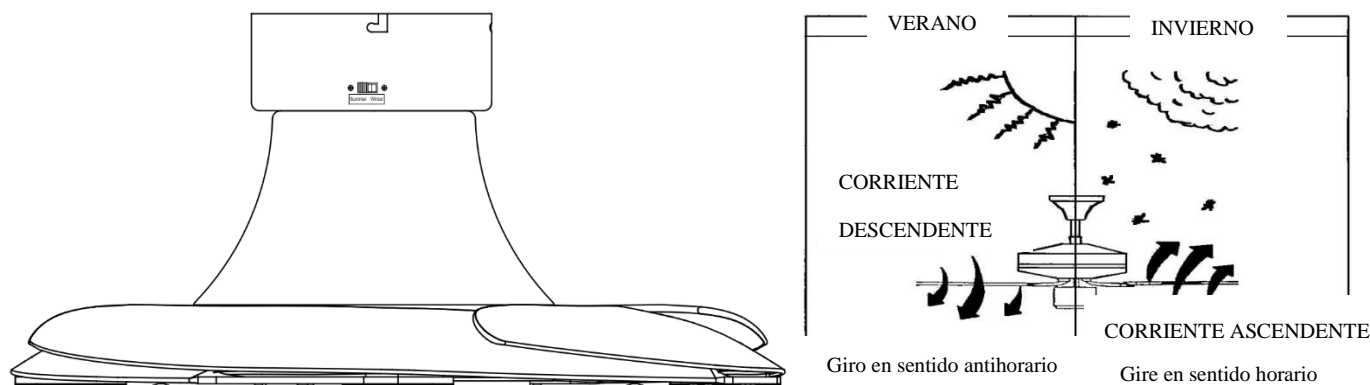


Fig. 16

DESPUÉS DE LA INSTALACIÓN

BAMBOLEO:

NOTA: Los ventiladores de techo tienden a moverse cuando están en funcionamiento debido a que están armados sobre una arandela de caucho. Si el ventilador se montó en el techo de forma rígida, esto podría causar una vibración excesiva. Un movimiento de unos centímetros es aceptable y NO indica problema alguno.

CÓMO REDUCIR EL BAMBOLEO DEL VENTILADOR: Verifique que todos los tornillos que fijan el soporte de armado y están seguros.

RUIDO:

Cuando hay silencio (especialmente por la noche), es posible escuchar pequeños ruidos de vez en cuando. Las fluctuaciones ligeras de suministro eléctrico y las señales de frecuencia superpuestas en el control de agua caliente fuera de horas pico pueden causar cambios en el ruido del motor del ventilador. Esto es normal. Deje un periodo de ajuste de 24 horas y la mayoría de los ruidos asociados con el nuevo ventilador desaparecerán en dicho periodo de tiempo. Todos los motores eléctricos producen un cierto ruido. Tenga en cuenta que esto no es un problema del producto y que no está cubierto por la garantía.

CUIDADOS Y LIMPIEZA

NOTA: Apague siempre el ventilador del interruptor principal antes de realizarle cualquier operación de mantenimiento o de limpiarlo.

- 1) El único mantenimiento que necesita el ventilador es una limpieza periódica cada 6 meses. Use un cepillo suave o un paño sin fibras para evitar arañar el acabado de pintura. Desconecte el suministro eléctrico antes de hacerlo.
- 2) No remoje ni sumerja el ventilador en agua ni en otros líquidos. Esto podría dañar el motor o las aspas y causar descargas eléctricas.
- 3) No permita que el ventilador entre en contacto con disolventes orgánicos ni con productos de limpieza.
- 4) Limpie las aspas solo con un paño húmedo y NO utilice disolventes orgánicos ni productos de limpieza.
- 5) El motor posee un rodamiento de bola permanentemente lubricado y no necesita engrasarse.

INFORMACIÓN TÉCNICA

Dimensiones del ventilador	Velocidad	Voltios (V)	Amperios (A)	Vatios (W)	RPM	CFM	CFM/W	Peso neto (lb)	C.F.
VENTILADOR BI-36" -MYA-E26-XXX	Extra alta	120	0,46	54,92W	285	3042,43	55,4	17,2	3,05
	Media alta	120	0,34	27,35W	219	2146,70	78,49	17,2	3,05
	Baja	120	0,23	12,48W	170	1332,89	106,8	17,2	3,05

Estas medidas son aproximadas. No incluyen datos de lámparas o luminarias fijadas al ventilador de techo.

GARANTÍA

1 año de garantía para todo el ventilador. Consulte la tarjeta de garantía para ver los detalles.