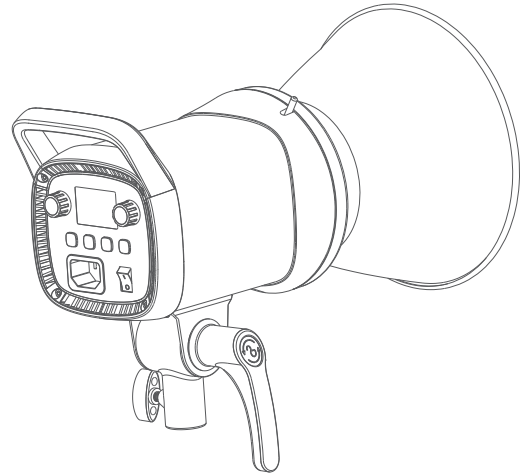


Godox



Wechat
Official Account
神牛微信公众号

深圳市神牛摄影器材有限公司
地址: 深圳市宝安区福海街道塘尾社区耀川工业区厂房2栋 电话: 0755-29609320(8062)
传真: 0755-25723423 邮箱: godox@godox.com

GODOX Photo Equipment Co., Ltd.

Add.: Building 2, Yaochuan Industrial Zone, Tangwei Community, Fuhai Street, Bao'an District, Shenzhen
518103, China Tel: +86-755-29609320(8062) Fax: +86-755-25723423 E-mail: godox@godox.com

www.godox.com

Made in China | 705-SL62BY-00

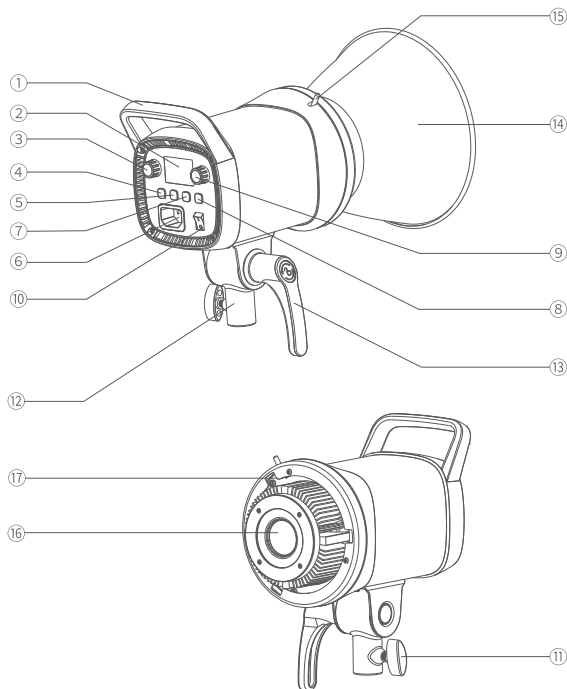


SL60II Bi

双色温LED摄影灯
Bi-color LED Video Light

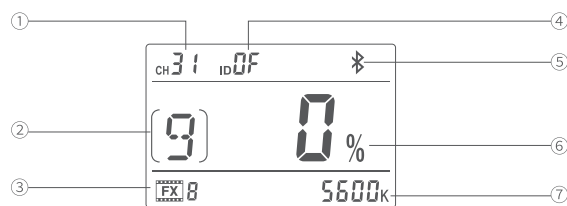
使用手册
Instruction Manual

Name of Parts



- | | | |
|-----------------------|---------------------|---------------------------------|
| 1. Handle | 7. CH Button | 13. Direction Adjusting Bracket |
| 2. LCD Panel | 8. Bluetooth Button | 14. Reflector |
| 3. CCT/FX Select Dial | 9. DIM Dial | 15. Accessory Locking Ring |
| 4. FX Button | 10. Power Switch | 16. LED Beads |
| 5. GR Button | 11. Fixing Knob | 17. BOWENS Mount |
| 6. Power Jack | 12. Sleeve | |

LCD Panel



- 1.Channel 2.Group 3.Light Effects 4.ID 5.Bluetooth
6.Brightness Adjustment Ratio 7.CCT Value

What's in the Box



- SL60IBi *1 LED BOWENS-mount Reflector *1 Protection Cover *1 Power Cord *1 Instruction Manual *1

Note: Due to continuous updates and upgrades of the products, there may be differences between the actual products and the pictures. Therefore, the pictures are for reference only.

Optional Accessories

The product can be used in combination with the following accessories sold separately, so as to achieve best photography effects: RC-A6 Remote Control, Softbox, Light Stand, etc.



Operation Instruction

1. Power Source

Connect the LED light to power source with power cable. Then, press the power switch to turn it on/off.

2. Brightness Adjustment

Turn the DIM dial to adjust brightness from 0% to 100%. Turn leftwards to decrease the brightness value by 1 unit while rightwards to increase by 1 unit, with quick adjustment available.



3. Color Temperature Adjustment

In LED continuous lighting mode (FX icon will not display), turn the CCT/FX select dial to adjust color temperature from 2800K to 6500K. Turn the dial leftwards to decrease the CCT value by 100 unit while rightwards to increase the CCT value by 100 unit, with quick adjustment available.

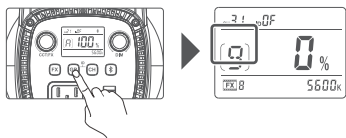
4. FX Mode

Short press the FX button to enter or exit the FX mode. When exiting the FX modes, FX icon will not be displayed on the LCD panel. While the FX icon will be displayed when entering the FX mode. Then, turn the FX select dial to choose one mode among the 11 special effects modes to achieve creative shooting.

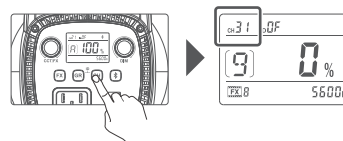
Display	FX1	FX2	FX3	FX4	FX5	FX6	FX7	FX8	FX9	FX10	FX11
Scene	Flash1	Flash2	Flash3	Storm1	Storm2	Storm3	TV	Broken bulb	Candle	Fire	Firework

5. 2.4G Wireless Setting

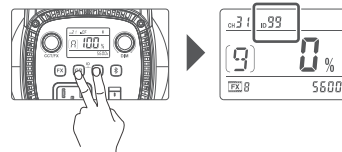
5.1 Group setting: Short press the GR button and the GR values will be blinking on the display. Turn the DIM dial to adjust groups from 0 to 9 and A to F, turn the dial leftwards to decrease the value while rightwards to increase. Then, short press the GR Button again to exit from GR setting.



5.2 Channel setting: Short press the CH button and the CH values will be blinking on the display. Turn the DIM dial to adjust channels from 1 to 32, turn the dial leftwards to decrease the value while rightwards to increase. Then, short press the CH button again to exit from CH setting.



5.3 ID setting: Long press the CH and GR button together until the ID values is blinking on the display. Turn the DIM dial to adjust IDs from OFF and 1 to 99, turn the dial leftwards to decrease the value while rightwards to increase. Then, long press CH and GR button again to exit from ID setting.



6. Bluetooth Setting

6.1 Bluetooth MAC code checking: Short press the Bluetooth button once and the Bluetooth MAC code is displayed.

6.2 Bluetooth reset: Long press the Bluetooth button until the Bluetooth icon is blinking because of resetting. And the icon will stop blinking in 4 seconds after being successfully reset.

6.3 Connect to smartphone: Scan the QR code to download the "Godox Light" smartphone APP (can be used in Android and Apple). For more smartphone APP operations, please open the "help" in APP to gain detailed guidance.



Note: The APP can be used directly on the firstly installed device (smartphone or iPad). When change to other mobile device (smartphone or iPad), the light shall be reset before the normal connection of APP.

Failures Reminder



lighting indicates fan failure.



flashing indicates failure.



lighting indicates high temperature alarm.



flashing indicates high temperature protection status and light automatically enters the shutdown procedure.

Illuminance Data

CCT	Testing Condition	Unit	1m	2m	3m
2800K	Bare lamp	lux	1840	472	220
		fc	171	43.9	20.4
	With reflector	lux	19300	3520	1420
		fc	1790	327	132
3300K	Bare lamp	lux	2090	527	247
		fc	194	48.9	22.9
	With reflector	lux	21500	3930	1590
		fc	2000	365	147
4300K	Bare lamp	lux	2350	607	278
		fc	218	56.4	25.8
	With reflector	lux	24300	4470	790
		fc	2260	415	166
5600K	Bare lamp	lux	2430	619	289
		fc	226	57.5	26.8
	With reflector	lux	25100	4610	1860
		fc	2340	248	173
6500K	Bare lamp	lux	2400	609	284
		fc	223	56.6	26.4
	With reflector	lux	24900	4550	1830
		fc	2310	422	170

All the above tests are based on the condition of 100% brightness.

Technical Data

Model	SL60IIBi
Power Supply	100V-240V~50/60Hz 0.75A
Power	Max.75W
CCT	2800K-6500K
Channel	32
Group	16 (A,B,C,D,E,F,0-9)
ID	1-99/OF
CRI	≥96
TLCI	≥97
FX Type	11
Control Method	2.4GHz Wireless/Bluetooth/Light Body Control
2.4GHz Transmission Distance	≈30 meters
Bluetooth Transmission Distance	≈30 meters
Brightness Range	0%-100%
Working Environment Temperature	-10°C-40°C
Dimension (unfolded without reflector)	140mm*236mm*215mm
Net Weight≈	1.5kg

Specification and design may subject to changes without notice.

FCC Statement

This device complies with part 15 of the FCC Rules. Operation is subject to the following two conditions:

- (1) This device may not cause harmful interference, and
- (2) this device must accept any interference received, including interference that may cause undesired operation.

Any Changes or modifications not expressly approved by the party responsible for compliance could void the user's authority to operate the equipment.

Note: This equipment has been tested and found to comply with the limits for a Class B digital device, pursuant to part 15 of the FCC Rules. These limits are designed to provide reasonable protection against harmful interference in a residential installation. This equipment generates uses and can radiate radio frequency energy and, if not installed and used in accordance with the instructions, may cause harmful interference to radio communications. However, there is no guarantee that interference will not occur in a particular installation. If this equipment does cause harmful interference to radio or television reception, which can be determined by turning the equipment off and on, the user is encouraged to try to correct the interference by one or more of the following measures:

- Reorient or relocate the receiving antenna.
- Increase the separation between the equipment and receiver.
- Connect the equipment into an outlet on a circuit different from that to which the receiver is connected.
- Consult the dealer or an experienced radio/TV technician for help.

The device has been evaluated to meet general RF exposure requirement. The device can be used in portable exposure condition without restriction.

Warning

Operating frequency: 2412.99MHz – 2464.49MHz (2.4G only receive) / 2402MHz – 2480MHz (BT)
Maximum EIRP Power: 9.33dBm

Declaration of Conformity

GODOX Photo Equipment Co., Ltd. hereby declares that this equipment are in compliance with the essential requirements and other relevant provisions of Directive 2014/53/EU. In accordance with Article 10(2) and Article 10(10), this product is allowed to be used in all EU member states. For more information of DoC, Please click this web link:

<https://www.godox.com/eu-declaration-of-conformity/>

The device complies with RF specifications when the device used at 0mm from your body.

IC Warning

This device complies with Industry Canada's licence-exempt RSSs. Operation is subject to the following two conditions:

- (1) This device may not cause interference; and
- (2) This device must accept any interference, including interference that may cause undesired operation of the device.

This equipment complies with IC radiation exposure limits set forth for an uncontrolled environment.

This equipment should be installed and operated with minimum distance 20cm between the radiator & your body.

Cet appareil est conforme aux CNR exemptes de licence d'Industrie Canada .

Son fonctionnement est soumis aux deux conditions suivantes :

- (1) Ce dispositif ne peut causer d'interférences ; et
- (2) Ce dispositif doit accepter toute interférence , y compris les interférences qui peuvent causer un mauvais fonctionnement de l'appareil.

Ce matériel est complété par une exposition de rayonnements IC pour un environnement naturel. Ce matériel doit être installé et se faire avec une distance minimale de 20cm entre les radiateurs et les autresYour body shop.

产品保修

尊敬的用户,本保修卡是申请保修服务的重要凭证,请您配合销售商填写并妥善保管,谢谢!

产品信息	型号	产品条码
用户信息	姓名	联系电话
	通信地址	
销售商信息	名称	
	联系电话	
	通信地址	
	销售日期	
备注		

注:此表应由销售商盖章确认。

适用产品

本文件适用于相关《产品保修信息》(见后面说明)所列产品,其他非属此范围的产品或部件(如促销品、赠品及其他出厂后附加的部件等)不在此保修承诺内。

保修期

产品及部件的相应保修期按相关的《产品保修信息》执行。保修期自产品首次购买日起算,购买日以购买产品时保修卡登记日期为准。

如何获得保修服务

您可直接与产品销售商或授权服务机构联系,也可拨打神牛产品售后服务电话,与我们联系,由我们的服务人员为您安排服务。申请保修时,您应提供有效的保修卡作为保修凭证,方可获得保修。如您不能提供有效的保修卡,则在我们确认产品或部件属于保修范围的情况下,也可以为您提供保修,但这不作为我们的义务。

不适用保修的情况

如产品存在下列情况,本文件项下的保证和服务将不适用 ①产品或部件超过相应保修期;②错误或不当使用、维护或保管导致的故障或损坏,如:不当搬运;非按产品合理预期用途使用;不当插拔外接设备;跌落或外力挤压;接触或暴露于不当温度、溶剂、酸碱、水浸或潮湿环境;③由非神牛授权机构或人员安装、修理、更改、添加或拆卸造成的故障或损坏;④产品或部件原有识别信息被修改变更或删除;⑤无有效保修卡;⑥使用非合法授权、非标准或非公开发行的软件造成的故障或损坏;⑦因不可抗力或意外事件造成的故障或损坏;⑧其他非因产品本身质量问题导致的故障或损坏。遇上述情况,您应向相关责任方寻求解决,神牛对此不承担任何责任。因非在保修期或保修范围内的部件、附件或软件导致产品不能正常使用的,不是保修范围内的故障。产品使用过程中正常的脱色,磨损和消耗,不是保修范围内的故障。

产品保修和服务支持信息

产品的保修期和服务类型按以下《产品保修信息》执行:

产品类别	选件名称	保修期(月)	保修服务类型
部件	电路板	12	客户送修
	电池	3	客户送修
	充电器等带电性能的部件。	12	客户送修
其他	如闪光灯管、造型灯泡、外壳、保护罩、锁紧装置、包装电源线,同步线等。	无	无保修

神牛产品售后服务电话:0755-29609320-8062

Warranty

Dear customers, as this warranty card is an important certificate to apply for our maintenance service, please fill in the following form in coordination with the seller and safe-keep it. Thank you!

Product Information	Model	Product Code Number
Customer Information	Name	Contact Number
	Address	
Seller Information	Name	
	Contact Number	
	Address	
	Date of Sale	
Note:		

Note: This form shall be sealed by the seller.

Applicable Products

The document applies to the products listed on the Product Maintenance Information (see below for further information). Other products or accessories (e.g. promotional items, giveaways and additional accessories attached, etc.) are not included in this warranty scope.

Warranty Period

The warranty period of products and accessories is implemented according to the relevant Product Maintenance Information. The warranty period is calculated from the day(purchase date) when the product is bought for the first time. And the purchase date is considered as the date registered on the warranty card when buying the product.

How to Get the Maintenance Service

If maintenance service is needed, you can directly contact the product distributor or authorized service institutions. You can also contact the Godox after-sale service call and we will offer you service. When applying for maintenance service, you should provide valid warranty card. If you cannot provide valid warranty card, we may offer you maintenance service once confirmed that the product or accessory is involved in the maintenance scope, but that shall not be considered as our obligation.

Inapplicable Cases

The guarantee and service offered by this document are not applicable in the following cases: ①. The product or accessory has expired its warranty period; ②. Breakage or damage caused by inappropriate usage, maintenance or preservation, such as improper packing, improper usage, improper plugging in/out external equipment, falling off or squeezing by external force, contacting or exposing to the improper temperature, solvent, acid, base, flooding and damp environments, etc; ③. Breakage or damage caused by non-authorized institution or staff in the process of installation, maintenance, alternation, addition and detachment; ④. The original identifying information of product or accessory is modified, alternated, or removed; ⑤. No valid warranty card; ⑥. Breakage or damage caused by using illegally authorized, nonstandard or non-public released software; ⑦. Breakage or damage caused by force majeure or accident; ⑧. Breakage or damage that could not be attributed to the product itself. Once met these situations above, you should seek solutions from the related responsible parties and Godox assumes no responsibility. The damage caused by parts, accessories and software that beyond the warranty period or scope is not included in our maintenance scope. The normal discoloration, abrasion and consumption are not the breakage within the maintenance scope.

Maintenance and Service Support Information

The warranty period and service types of products are implemented according to the following Product Maintenance Information:

Product Type	Name	Maintenance Period(month)	Warranty Service Type
Parts	Circuit Board	12	Customer sends the product to designated site
	Battery	3	Customer sends the product to designated site
	Electrical parts e.g.battery charger, etc.	12	Customer sends the product to designated site
Other Items	Flash tube, modeling lamp, lamp body, lamp cover, locking device, package, power cord, sync cable, etc.	NO	Without warranty

Godox After-sale Service Call 0755-29609320-8062