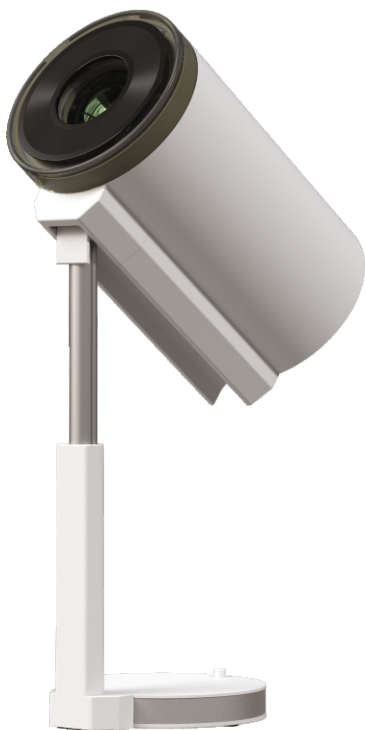




PORTRONICS



# BEEM 520

SMART LED PROJECTOR

User Manual



- ⇒ Projector 1 N
- ⇒ Remote Control 1 N
- ⇒ User Manual 1 N

Please check whether the physical products received are complete; If the products and accessories you receive are not complete, please contact the sales personnel in a timely manner. (For specific items, please refer to the actual package.)

## Opening Remarks

Thank you very much for your support!

You can learn to use and operate on this projector by reading this manual.

This projector has powerful features like compact, convenient etc. It is specifically designed for home, entertainment, business and other occasions.

The projector let you enjoy the fun of the big screen reality anytime and anywhere, and you are also welcome to share your fun and opinions with us.

If you have any questions about this product, please contact our after-sales department.

We are happy to service for you.



1. Do not install the machine where directly blown by the air conditioner, the water condensed or high temperature may cause machine failure.
2. Make sure that there is sufficient ventilation and the ventilation is not blocked, so as to avoid the accumulation of hot air in the machine
3. Prevent clips or paper falling into the machine, and do not put any metal objects into machine. If accidentally happens, please turn off the power immediately and let qualified personnel fix it.
4. Due to avoid the risk of leakage, do not place any liquid on the machine.
5. When transporting the projector, please use soft packaging materials to protect the lens from scratches please install the lens protection cover, nonviolent during transporting.
6. During or after the projection, the vicinity of the exhaust vent will become hot, non-touch with your hands.
7. Do not look into the lens while the machine is powered on, it may cause serious damage to your eyes.

### NOTICE

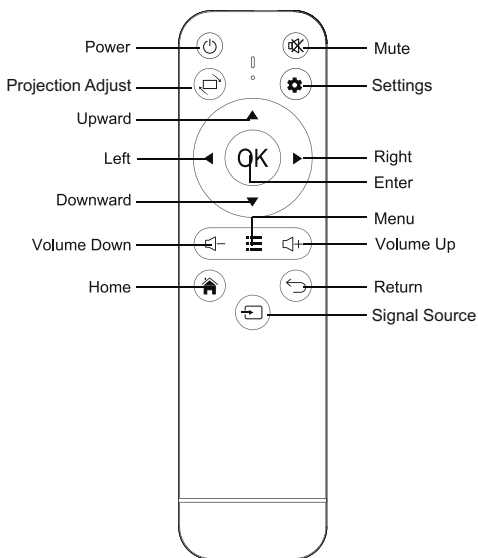
Do not open the case. Please entrust qualified professional maintenance personnel to perform maintenance.



This mark warns there is an uninsulated voltage in the unit, which may cause electric shock due to the surface magnetic field. It is extremely dangerous to touch any parts inside the machine.

### NOTICE

To prevent fire or electric shock, do not expose this machine to rain or moisture.

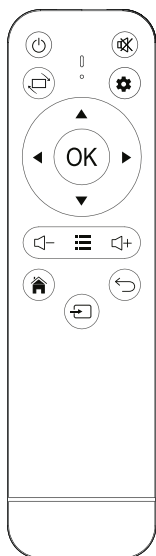


## Remote Control Description

- 1** Power: Turn ON or OFF the projector
- 2** Mute: Mute or unmute the projector speaker
- 3** Projection Adjust: Mirror and/or flip projection
- 4** Settings: Open projector Settings
- 5** Direction Keys: Up, down, left and right navigation
- 6** Enter: Performs Open or accept action
- 7** Volume +/-: Increase / decrease speaker volume
- 8** Menu: Open the menu of applications or files
- 9** Home: Go to homepage
- 10** Return: Back to previous menu or close current applications
- 11** Signal Source: Switch between projection sources

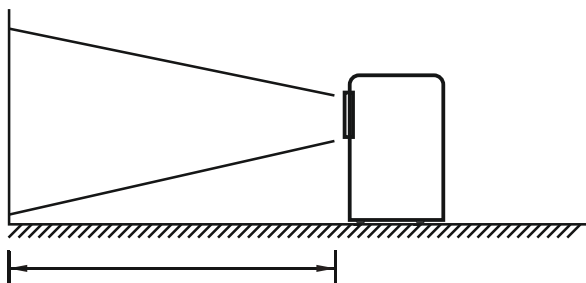
- ① **Manual Focusing:** When the projection image is blurred (as shown in the figure below), rotate the focusing ring on the fuselage to adjust the effect, so as to obtain satisfactory results. If you cannot obtain satisfactory clarity through adjustment, please move the fuselage to adjust it appropriately.
- ② **Autofocus:** For versions with autofocus capability, after enabling the autofocus function in the settings interface, the mobile device can achieve automatic focusing.
- ③ **Autofocus:** Whether it's autofocus or manual focusing, as long as the version has the autofocus function, the focal length can be adjusted by operating the remote control.

\*Please select the appropriate operation method for your device based on the model and version of the projector you are currently using. Here are some general guidelines to consider:



Blurry Image Projection  
Distance Reference

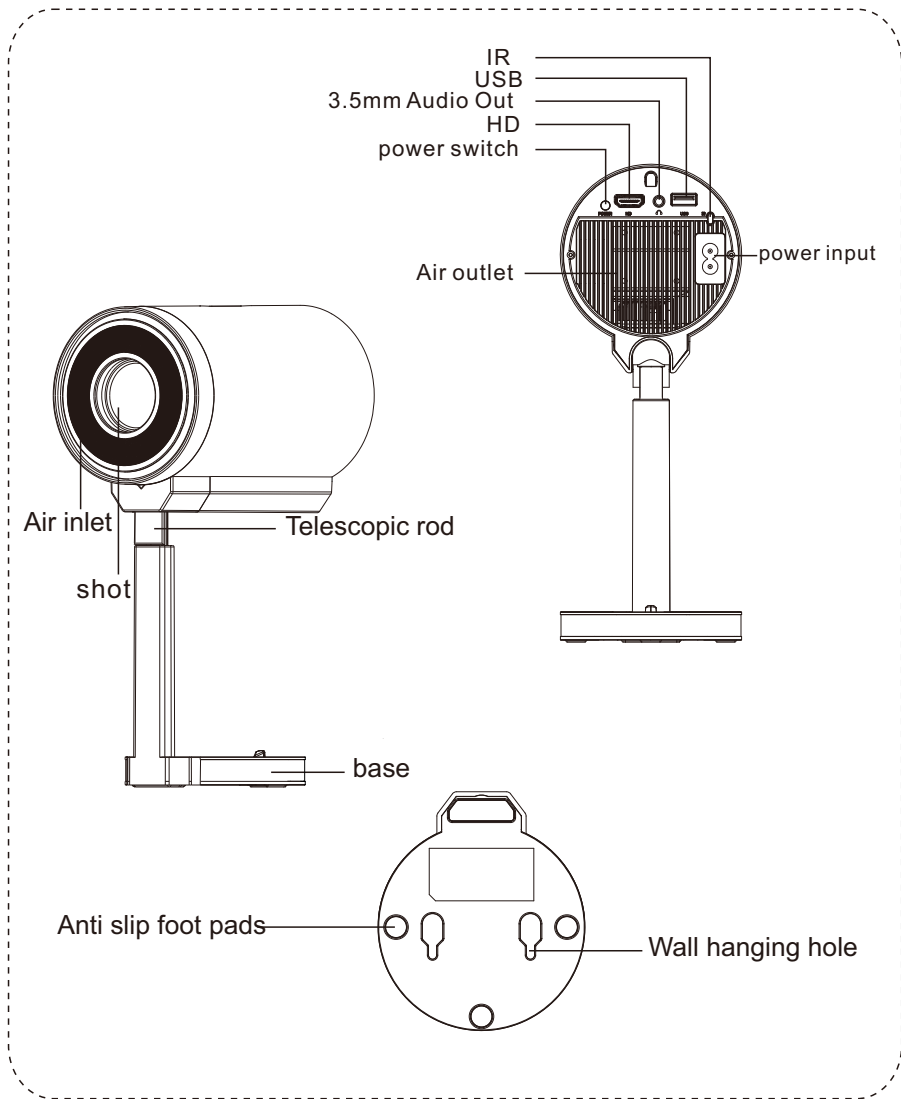




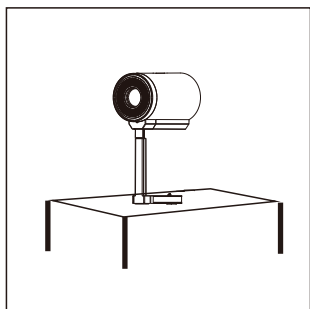
Projection Size ( Inch)	Projection Distance ( M)
33"	1.5 M
52"	1.7 M
62"	2.0 M
80"	2.5 M
88"	2.8 M
105"	3.4 M

**How To Power Off**

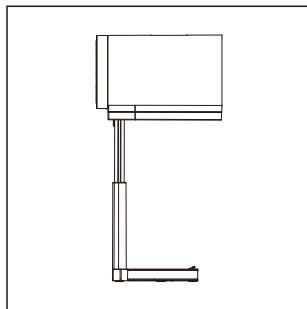
1. Press the ON/OFF button on the remote control or the power switch on the unit.
2. Put the lens cap on and store the unit in a dry and cool place.



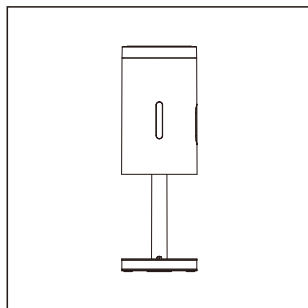
Horizontal placement

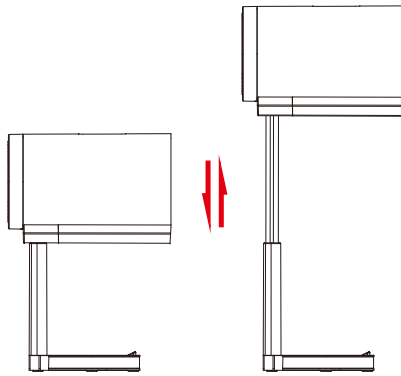


Placed on the ground

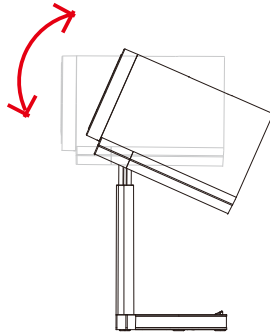


Throw to the ceiling





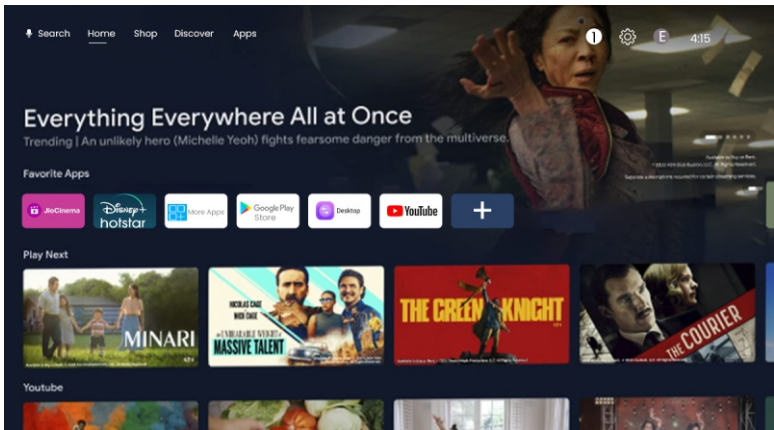
Adjustable Height



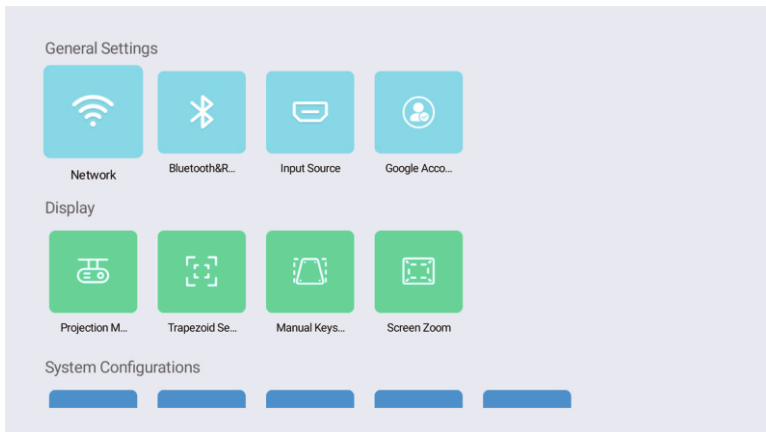
Adjustable Angle



1 Home Page



2 Projection Setting

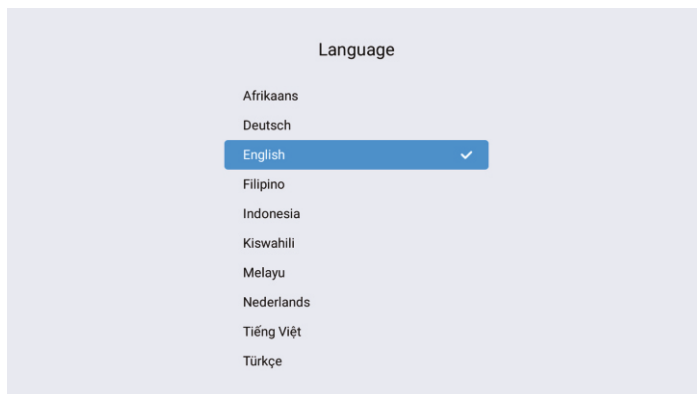


Notes: With the update of system version, there will be differences from the actual interfaces. Please refer to the displayed interfaces as final.



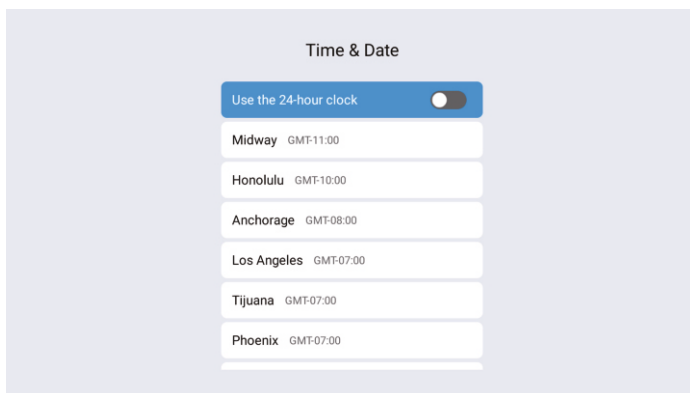
### 3 Language setting

Settings Screen - Select the appropriate language in System configuration.



### 4 Time setting

Settings screen - Select the appropriate time Settings for you in System Configuration





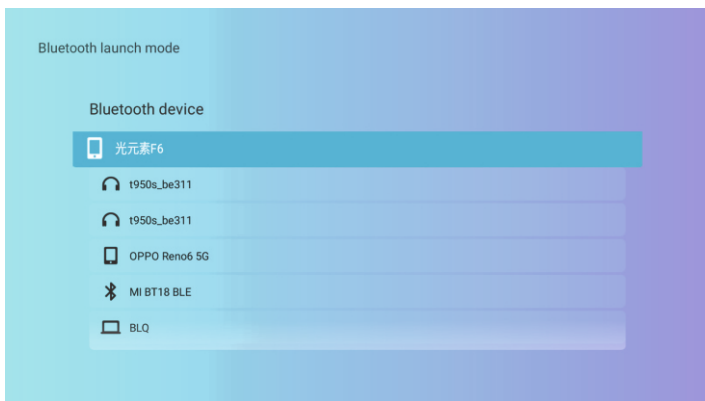
## 5 Wi-Fi setting

Select a hotspot and enter a password to connect.



## 2 Bluetooth Settings

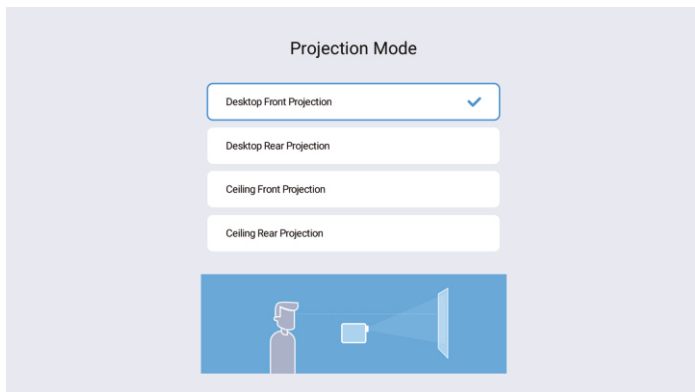
Open Bluetooth and select pairing successfully.



Notes: With the update of system version, there will be differences from the actual interfaces. Please refer to the displayed interfaces as final.

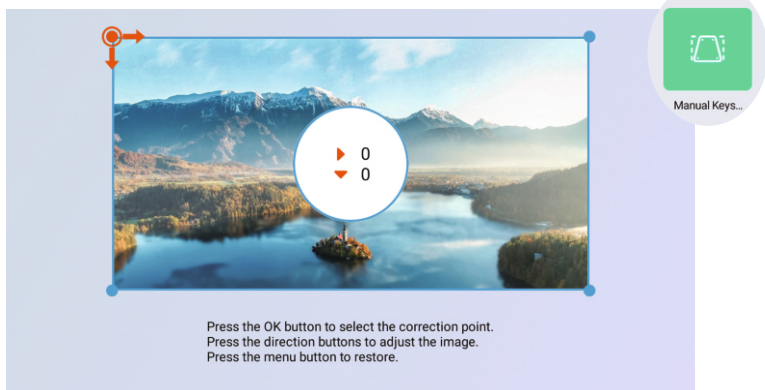
## 1 Projection mode

Select the projection method that suits you in the Settings screen.



## 2 Picture correction

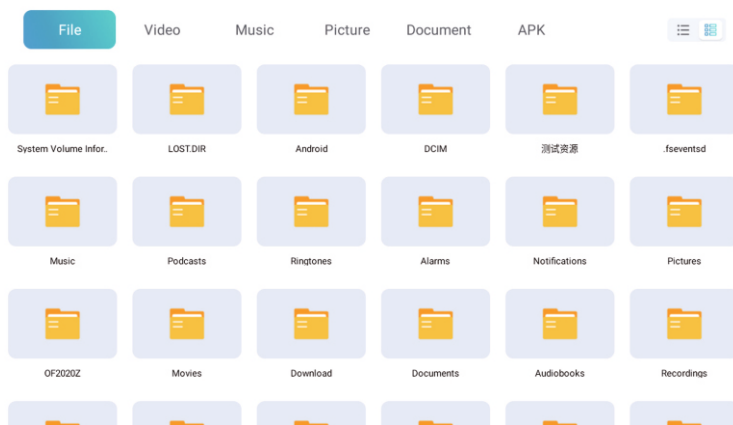
Select Manual keys in the setting interface screen correction.





You can play videos, music, or pictures from a storage device in the following ways.

- (1) After the projector is turned on, insert a USB flash drive, and the system will detect the external device by itself, and a pop-up prompt will pop up. Select the type of file you want to play, and press the "OK" button on the remote control panel to enter.



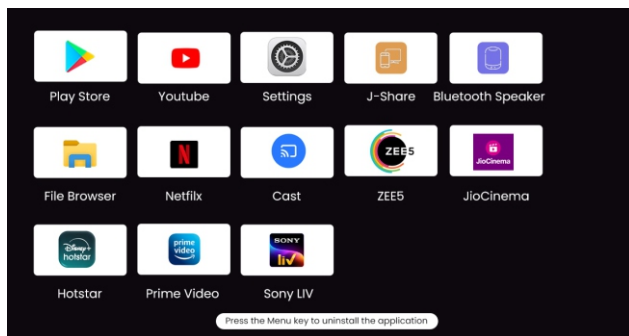
Due to frequent software updates, the interface may vary. Please focus on the actual interface.

- (2) Press the signal input button on the remote control and select USB device to turn it on.



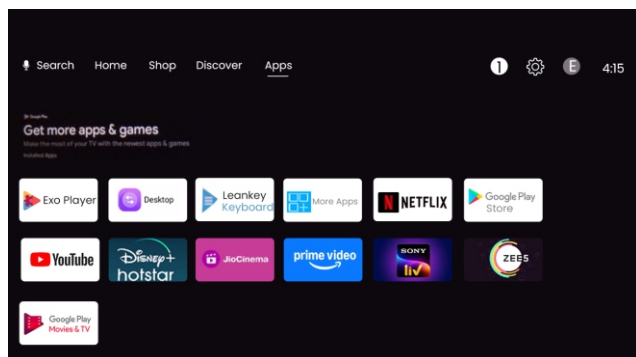
## 1 SAME SCREEN

For screen sharing function, please use Miracast for Apple Phones, and Airscreen for Android phones.



## 2 Other operations

On the home page, press the direction down key to select applications, change the desktop background, and sound effects.



Before cleaning, you must make sure that you have unplugged the power plug.

Do not use insecticides or other volatile chemicals on the projector or lens. Do not use rubber or vinyl products to touch the projector. This can damage or cause coating peel off.

### **1.Clean the Projector**

Wipe with a soft dry cotton cloth, use a soft cloth dipped in a diluted neutral detergent to wipe it, then with a dry cloth. If you use chemical fiber cloth, please follow the precautions

Do not use thinner, benzene or other solvents to avoid quality degradation or peeling of the spray coating.

When cleaning the dirt, you can insert a brush in the front of the vacuum cleaner, avoid directly use the vacuum cleaner without any connectors or the nozzle, avoid scratches.

### **2.Dust cleaning of lens**

Use the same method to clean the camera lens, use the professional hair dryer for the camera or the cleaning paper for the glass's lens. Be careful not to scratch the lens.

### **3.Dust cleaning at suction and outlet**

The dust in the air inlet and outlet prevents ventilation, which will increase the internal temperature and cause malfunctions. Cleaning guidelines: at least clean once use every 10,000 hours.

Turn off the projector, disconnect the power.

Clean the exterior with an electric vacuum cleaner and install a brush head adapter on the vacuum cleaner. Please be careful not to use a vacuum cleaner without an adapter or brush head.



Please read this manual carefully before use and keep it for future reference.

- Avoid exposure of the projector to dust, water / moisture and extreme temperatures.
- This device is not dustproof or waterproof, regularly clean projector vents to avoid cooling malfunction.
- Please use high quality power cord and under specified rated power supply.
- When projector is working, please do not look directly into the lens, the strong light will flash your eyes and cause slight pain. Children should use the projector under the supervision of adults.
- Do not cover the vents of projector and ensure it is in a well-ventilated area when in use, positioned at least 2 feet away from the wall from behind. Heating will reduce the life of projector and cause danger.
- Please cut off the power if the projector is out of use for long time.
- Users or third-party professionals should not attempt to disassemble the projector for testing and maintenance, in which case, the warranty will be void.
- For optimal viewing performance, the projector should be positioned at a height of 5 feet from the ground and at least 5 feet away from the wall or screen in the front.
- Use the remote control from behind the projector for convenient operation.

Note: Any damage caused by physical impact, water/liquid, fire, etc. caused by the customer or nature shall not be covered under warranty. Only product design, feature and functionality-related faults can be considered. As per the brand's discretion, the product is eligible for repair and not for replacement, during the warranty period.



**[www.portronics.com](http://www.portronics.com)**

**For Support**

**Visit :** [www.portronics.com](http://www.portronics.com)

**E-mail :** [help@portronics.com](mailto:help@portronics.com)

**Contact No.:** +91 9555245245

**(Working Hours: Monday - Saturday, 10:00am - 6:00pm)**



**E-Waste Management**

**E: [info@3rrecycler.com](mailto:info@3rrecycler.com)**

**For E-Waste & ROHS compliance  
refer to [www.portronics.com/ewaste](http://www.portronics.com/ewaste)**