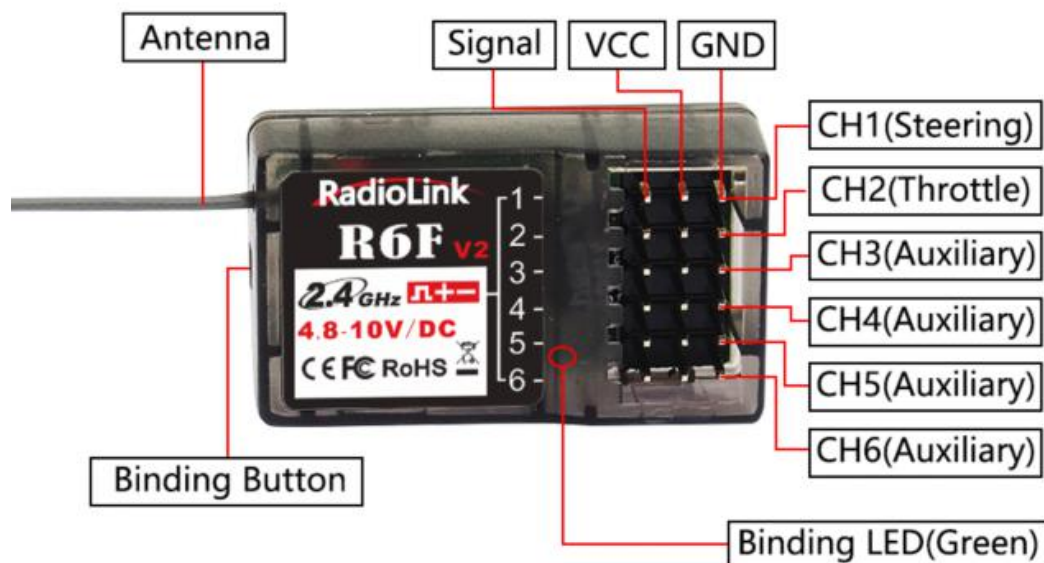


# R6F

## (FHSS)



Radiolink R6F, 2.4GHz 6 channels receiver, HV servo supported. Compatible with Radiolink 6 channels pistol grip radio RC6GS V2, RC6GS, 4 channels pistol grip radio RC4GS V2, RC4GS, RC4G and 8 channels transmitter T8FB, T8S.



### How to Match Code with Transmitter:

1. Put the transmitter and the receiver close to each other within 50 centimeters.
2. Turn on the transmitter, then power on the R6F.
3. There is a black button on the R6F, press the binding button in one second until the receiver light starts blinking and release, after about 8 times blinking, match code success when receiver signal LED always on.

**Installment of receiver antenna:**

1. The antenna must be kept as straight as possible. Otherwise it will reduce the effective range.
2. Large model aircraft may of some metal part interfering signal, in this case the antenna should be placed at side of the model.
3. The antenna must be kept away from conductive materials, such as metal and carbon by at least a half inch. The coaxial part of the antenna does not need to follow these guidelines, but do not bend it in a small radius.
4. Keep the antenna away from the motor, ESC, and other noise sources as much as possible.
5. The receiver can be packed by sponge or foam for shocking proof when it is installed to the model.

After all of the above steps finished, now the program functions to assure it under control of transmitter with a right connection.

**Specification**

1. Frequency: 2.4GHz ISM band(2400MHz~2483.5MHz)
2. Size: 35\*20\*13mm
3. Weight: 6g
4. Channel: 6 channels
5. Model: cars/boats
6. Modulation mode: GFSK
7. Spread spectrum: FHSS
8. Antenna length: 200mm
9. Control distance: more than 400 meters
10. Power supply: 4.8~10.0V DC
11. Channel resolution: 4096
12. Work current: 30mA
13. Compatible with transmitters: RC6GS V2, RC4GS V2, RC6GS, RC4GS, RC4G, T8FB, T8S