



INSTRUCTION MANUAL



Catalog Number BV4000

DATE CODE

BEFORE RETURNING THIS PRODUCT FOR ANY REASON PLEASE CALL

1-800-54-HOW-TO (544-6986)

IF YOU SHOULD EXPERIENCE A PROBLEM WITH YOUR BLACK & DECKER PRODUCT, CALL **1-800-54-HOW-TO (544-6986)**.

BEFORE YOU CALL, HAVE THE FOLLOWING INFORMATION AVAILABLE, CATALOG NO., TYPE NO., AND DATE CODE. IN MOST CASES, A BLACK & DECKER REPRESENTATIVE CAN RESOLVE YOUR PROBLEM OVER THE PHONE. IF YOU HAVE A SUGGESTION OR COMMENT, GIVE US A CALL. YOUR FEEDBACK IS VITAL TO BLACK & DECKER.

KEY INFORMATION YOU SHOULD KNOW:

- Before operating, make sure that either the blower or vacuum tube assembly is locked in place.
- The power switch must be OFF in order to depress the release button for changing blower and vacuum tube assemblies.

SAVE THIS MANUAL FOR FUTURE REFERENCE.

VEA EL ESPAÑOL EN LA CONTRAPORTADA.

INSTRUCTIVO DE OPERACIÓN, CENTROS DE SERVICIO Y PÓLIZA DE GARANTÍA.

⚠ **ADVERTENCIA:** LÉASE ESTE INSTRUCTIVO ANTES DE USAR EL PRODUCTO.

Form No. 479249-00

Cat. # BV4000

(JAN. 2005)

Copyright © 2005 Black & Decker

Printed in Mexico

⚠ **WARNING: Important Safety Warnings and Instructions**

PLEASE READ AND UNDERSTAND ALL INSTRUCTIONS CAREFULLY BEFORE USING THE UNIT.

To Reduce Risk of Injury:

- Before any use, be sure everyone using this tool reads and understands all safety instructions and other information contained in this manual.
- Save these instructions and review frequently prior to use and in instructing others.
- ⚠ **WARNING:** When using electrical appliances, basic safety precautions should always be followed, including the following:
- ⚠ **WARNING:** Some dust created by this product contains chemicals known to the State of California to cause cancer, birth defects or other reproductive harm. Some examples of these chemicals are:
 - compounds in fertilizers
 - compounds in insecticides, herbicides and pesticides
 - arsenic and chromium from chemically treated lumber
- To reduce your exposure to these chemicals, wear approved safety equipment such as dust masks that are specially designed to filter out microscopic particles.
- ⚠ **WARNING:** This product contains chemicals, including lead, known to the State of California to cause cancer, and birth defects or other reproductive harm. Wash hands after handling.
- ⚠ **CAUTION:** Wear appropriate personal hearing protection during use. Under some conditions and duration of use, noise from this product may contribute to hearing loss.

READ ALL INSTRUCTIONS BEFORE USING BLOWER.

⚠ **General Safety Warnings and Instructions for all Tools**

- **READ** and follow all instructions.
- **DO NOT** place inlet or outlet of vacuum near eyes or ears when operating.
- **THIS APPLIANCE IS PROVIDED WITH DOUBLE INSULATION.** Use only identical replacement parts. See instructions for servicing of double insulated appliances.
- **STORE IDLE TOOLS.** When not in use, the unit should be stored in a dry, high or locked-up place - out of reach of children.
- **DON'T OVERREACH.** Keep proper footing and balance at all times.
- **DO NOT** pick up anything that is burning or smoking, such as cigarettes, matches or hot ashes.
- **MAINTAIN TOOL WITH CARE.** Keep fan area clean for best and safest performance. Follow instructions for proper maintenance.
- **DO NOT** attempt to repair the blower/vac. To assure product safety and reliability, repairs, maintenance, and adjustments should be performed by Black & Decker service centers or authorized service stations, always using Black & Decker replacement parts.
- **DO NOT** operate blower/vac in a gaseous or explosive atmosphere. Motors in these tools normally spark, and the sparks might ignite fumes.
- **DO NOT** use to pick up flammable or combustible liquids such as gasoline or use in areas where they may be present.
- **USE EXTRA CARE** when cleaning on stairs.
- **DO NOT** leave appliance when plugged in. Unplug from outlet when not in use and before servicing.
- **DO NOT** allow to be used as a toy. Close attention is necessary when used by or near children. Not recommended for use by children.
- **DO NOT** attempt to clear clogs from tool without first unplugging it.
- **USE ONLY** as described in this manual. Use only manufacturer's recommended attachments.
- **DO NOT** use with damaged cord or plug. If appliance is not working as it should, has been dropped, damaged, left outdoors, or dropped into water, return it to a service center.
- **DO NOT** pull or carry by cord, use cord as a handle, or pull cord around sharp edges or corners. Keep cord away from heated surfaces.

- **DO NOT** unplug by pulling on cord. To unplug, grasp the plug, not the cord.
- **DO NOT** put any objects into openings. Do not use with any opening blocked; keep free of dust, lint, hair and everything that may reduce air flow.
- **KEEP** hair, loose clothing, fingers, and all parts of body away from openings and moving parts.
- **TURN OFF** all controls before unplugging.
- **DO NOT** vacuum water, other liquids, or wet objects such as leaves. Never immerse any part of the tool in liquid.
- **DO NOT** handle plug or appliance with wet hands.
- **KEEP CHILDREN, BYSTANDERS AND ANIMALS AWAY** from the work area a minimum of 30 feet (10 meters) when starting or operating the tool.
- **INSPECT THE AREA** before using the tool. Remove all debris and hard objects such as rocks, glass, wire, etc. that can ricochet, be thrown, or otherwise cause injury or damage during operation. As a vacuum, the tool is designed to pick up dry material such as leaves, grass, small twigs, and bits of paper. Do not vacuum stones, gravel, metal, broken glass, etc.
- ⚠ **WARNING:** To reduce the risk of electrical shock; do not expose to rain, do not use on wet surfaces. Store indoors.
- ⚠ **WARNING:** Turn off and unplug unit, then wait until fan stops or at least 10 seconds before removing the blower or vacuum tube assemblies.

SAVE THESE INSTRUCTIONS

Servicing of Double Insulated Appliances

Your Blower/Vac is double-insulated to give you added safety. In a double insulated appliance, two systems of insulation are provided instead of grounding. No grounding means is provided on a double insulated appliance, nor should a means for grounding be added to the appliance. Servicing a double insulated appliance requires extreme care and knowledge of the system and should be done only by qualified service personnel. Replacement parts for a double insulated appliance must be identical to the parts they replace. A double insulated appliance is marked with the words double insulated or "double insulation". The symbol (square within a square) may also be marked on the appliance.

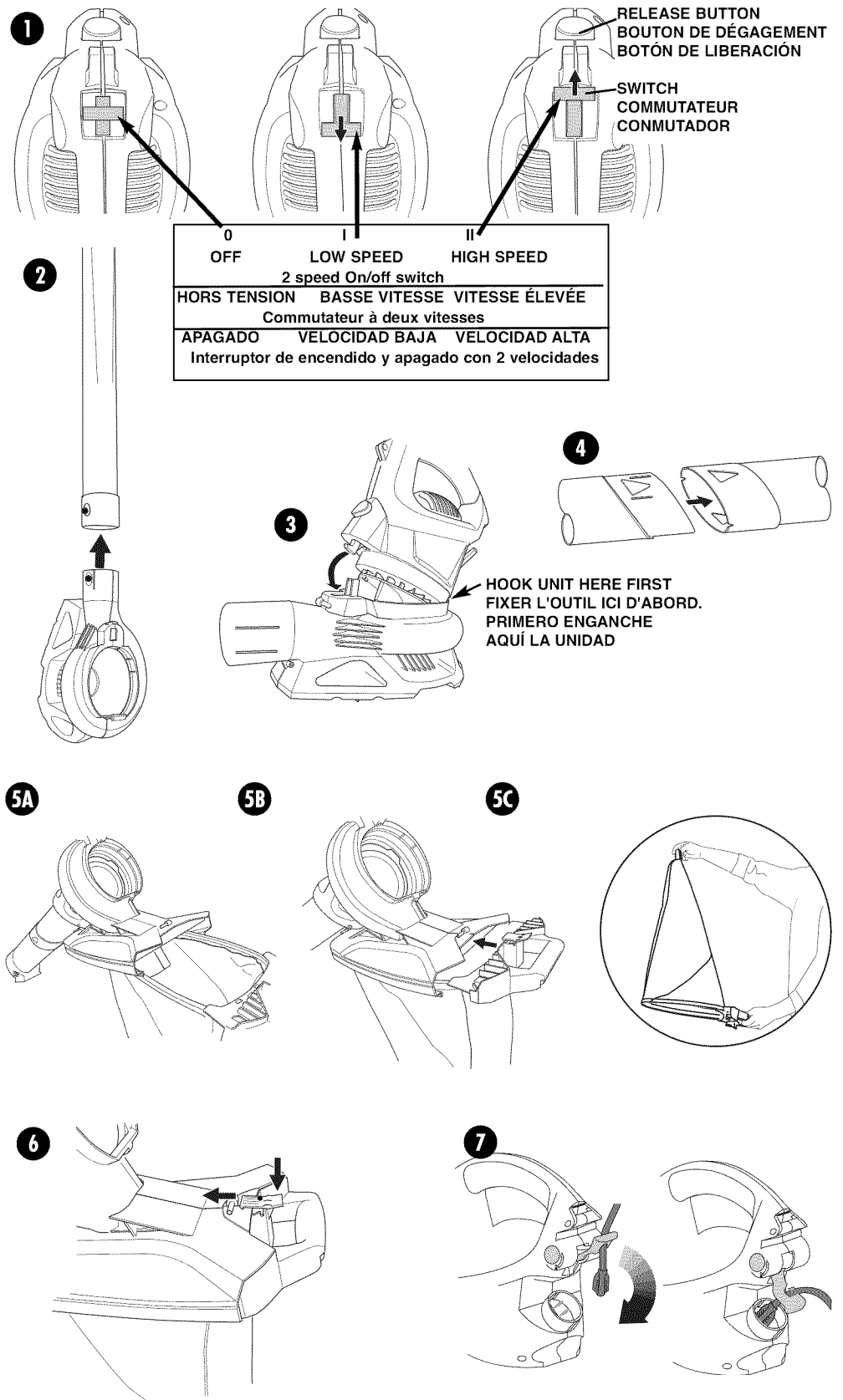
⚠ **Safety Rules and Instructions: Extension Cords**

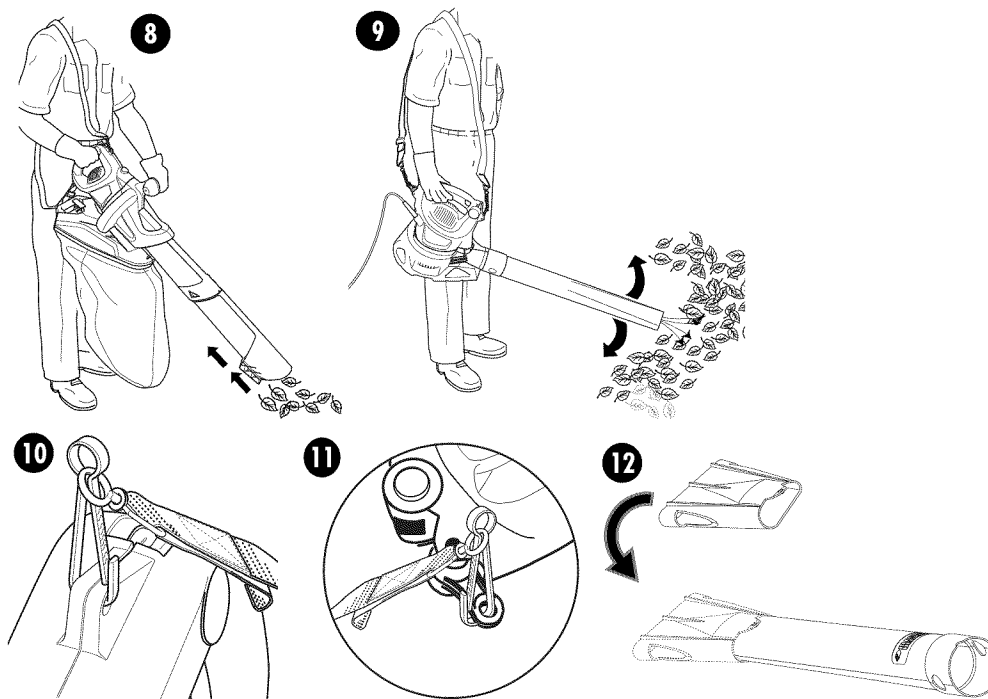
Double insulated tools have 2-wire cords and can be used with 2-wire or 3-wire extension cords. Only round jacketed extension cords should be used, and we recommend that they be listed by Underwriters Laboratories (U.L.) (C.S.A. in Canada). If the extension will be used outside, the cord must be suitable for outdoor use. Any cord marked as outdoor can also be used for indoor work.

An extension cord must have adequate wire size (AWG or American Wire Gauge) for safety, and to prevent loss of power and overheating. The smaller the gauge number of the wire, the greater the capacity of the cable, that is 16 gauge has more capacity than 18 gauge. When using more than one extension to make up the total length, be sure each individual extension contains at least the minimum wire size. Before using an extension cord, inspect it for loose or exposed wires, damaged insulation, and defective fittings. Make any needed repairs or replace the cord if necessary.

To determine the minimum wire size required, refer to the chart below:

Volts	Minimum Gauge for Cord Sets Total Length of Cord in Feet			
	0-25	26-50	51-100	101-150
120V	0-25	26-50	51-100	101-150
240V	0-50	51-100	101-200	201-300
Ampere Rating		American Wire Gauge		
More Than	Not more Than			
0 - 6	18	16	16	14
6 - 10	18	16	14	12
10 - 12	16	16	14	12
12 - 16	14	12	Not Recommended	





⚠ Safety Rules and Instructions: Polarized Plug

To reduce the risk of electric shock, this equipment has a polarized plug (one blade is wider than the other). This equipment must be used with a suitable polarized 2 wire or 3 wire extension cord. Polarized connections will fit together only one way. Make sure that the receptacle end of the extension cord has large and small blade slot widths. If the plug does not fit fully into the extension cord, reverse the plug. If it still does not fit, obtain a suitable extension cord. If the extension cord does not fit fully into the outlet, contact a qualified electrician to install the proper outlet. Do not change the tool plug or extension cord in any way.

Before Operating

SECURING POWER SUPPLY CORD - Secure the extension cord in the tool's built-in cord retainer as shown in Figure 7.

Switch

On/Off Switch (Fig. 1)

For extra control, your blow vac is fitted with a two speed switch located on the handle of the powerhead.

The switch has a central off. Position 0.

To use in low speed, move the switch fully to the rear. Position I.

To change to high speed push the switch back to the off position and then fully forward. Position II.

NOTE: The switch will not operate if the release button, shown in Figure 1, is depressed.

To turn the tool ON, slide the switch forward, as shown in Figure 1. To turn tool OFF, slide switch to the middle position.

Assembly

USE AS A BLOWER: ALWAYS WEAR SAFETY GLASSES, WEAR A FILTER MASK IF THE OPERATION IS DUSTY. USE OF RUBBER GLOVES AND SUBSTANTIAL FOOTWEAR IS RECOMMENDED WHEN WORKING OUTDOORS. FOR HOUSEHOLD USE ONLY.

⚠ **WARNING:** When turning the tool off for tube installation or any other reason, wait 10 seconds for the fan to stop rotating before disassembly.

Vacuum Tube Assembly (Fig. 4)

- Vacuum tubes must be assembled together before use.
- To ease assembly apply soapy water solution to joint area.
- Align the notches and the triangles on upper and lower tubes. (Fig. 4)
- Push the lower tube firmly into the upper tube, until the triangles click into place. (Never operate apart).
- In the interests of safety, it is not intended for the tubes to be separated once assembled.

Blow Tube Assembly (Fig. 2)

- Blow tube must be assembled to the blow clamshell before use.
- Align the circles on the clamshell and the tube.
- Push the tube firmly onto the clamshell until the circles click into place.

Cord Retainer

- A cord retainer is incorporated into the rear of the powerhead. (Fig 7)
- Insert the cord into the powerhead and flip the cord retainer lever against the plug to hold it in position.
- To release, depress the side button and then pull up lever.

Using Your Product (Fig. 8)

When using as a blower or vacuum, always wear safety glasses. If using in dusty conditions, wear a filter mask as well.

Blow Mode

- Ensure your product is switched off and disconnected from the main power supply.
- Attach the blow clamshell and tube to the powerhead (Fig. 3) by locating the blower as indicated by arrow, then pivot about this point until the locking/release catch is fully engaged.
- Hold the blow tube approximately 180mm (7") above the ground, switch your product on and using a sweeping motion from side to side, advance slowly keeping the accumulated debris/leaves in front of you (Fig. 9).
- Once you have blown the debris/leaves into a pile, you can convert to vacuum mode to collect the debris.
- Installing the concentrator will help remove matted debris and leaves (Fig. 12).

Removing Blow/Vacuum Tube

- Switch off your product and disconnect from power supply.
- To disconnect the blow clamshell or vacuum tube from the powerhead, depress the release button, ensuring the tube does not fall to the ground.
- **The release button will not depress if the power switch is in the "on" position. (Fig. 1)**

Carrying Strap Assembly

- Fit the carrying strap to the powerhead, if required, and adjust to suit the user. For your comfort, the shoulder strap is designed to be used in vacuum mode.
 1. Dual Point Attachment
 - Clip the hook through the eyelet on the powerhead (Fig. 10)
 - Clip the hook through the eyelet on the rear of the power head (Fig. 11)

Vacuum Mode

- **Switch off your product and disconnect from power supply.**

To fit the bag assembly to your product:

Locate the bag rim into the bag holder channel ensuring that the front of the bag is placed over the vacuum outlet as shown in Fig. 5. Slide the bag fully into the channel and depress the latch to lock the handle into the bag top. (Fig. 6)

Position the tube slightly above the debris/leaves. Switch your product on, then using a sweeping motion the debris/leaves will be sucked up the tube, mulched and deposited into the collection bag. (Fig 8)

For matted debris/leaves your vacuum tube is incorporated with a scraper. Use this scraper to loosen the debris and continue to vacuum as normal.

As the bag fills the power of the suction will decrease, switch off your product and unplug from power supply.

To remove the bag, depress the latch to disengage from the bag holder and slide the bag out.

To empty, hold the plastic handle and grab the nylon handle on the underside of the bag. Turn the bag upside down and shake out any debris and leaves. (Fig. 5C)

- For easier use in vac mode, the tool should be fitted to the user using shoulder strap (Fig. 8)

⚠ **CAUTION: NEVER REMOVE THE COLLECTION BAG WITHOUT FIRST TURNING OFF AND UNPLUGGING THE VACUUM.**

NOTE: If the suction decreases and the bag is not full, the vacuum tube is probably clogged with debris. Turn off and unplug the vacuum and clear the tube before continuing.

Operation

- Do not use in vacuum mode without the vacuum tubes and collection bag in place.
- Always switch off and remove the plug from the electrical supply when:
 - Changing from blower to vacuum.
 - The supply cable has become damaged or entangled.
 - You leave your product unattended.
 - Clearing a blockage.
 - Checking, adjusting, cleaning or working on your product.

- Use your product only in daylight or good artificial light.

Maintenance

• CLEANING AND STORAGE

TURN OFF AND UNPLUG TOOL! (Unplug extension cord at power source.)

Use only mild soap and a damp cloth to clean the tool. Clean out any clippings which may have accumulated in the Blower/Vac. When used properly with dry leaves the fan chamber of your Blower/Vac should remain clean. If damp earth and debris are ingested some of the particles may build up on the inside of the fan chamber. If this happens the performance of the unit will decrease. This area can be cleaned out by gently wiping out with a damp rag after disconnecting from the power source. Your Blower/Vac should be stored in a dry place.

⚠ **CAUTION: DO NOT POUR OR SPRAY WATER ON THE TOOL IN AN ATTEMPT TO CLEAN.**

Do not store the tool on or adjacent to fertilizers or chemicals. Such storage can cause rapid corrosion of the metal parts.

Use only mild soap and a damp cloth to clean the tool. Never let any liquid get inside the tool; never immerse any part of the tool into a liquid.

Important

To assure product **SAFETY** and **RELIABILITY**; repairs, maintenance and adjustments (other than those listed in this manual) should be performed by authorized service centers or other qualified

service organizations, always using identical replacement parts.

Service Information

Black & Decker offers a full network of company-owned and authorized service locations throughout North America. All Black & Decker Service Centers are staffed with trained personnel to provide customers with efficient and reliable power tool service. Whether you need technical advice, repair, or genuine factory replacement parts, contact the Black & Decker location nearest you. To find your local service location, refer to the yellow page directory under "Tools—Electric" or call: **1-800-54-HOW-TO (1-800-544-6986)**.

Full Two-Year Home Use Warranty

Black & Decker (U.S.) Inc. warrants this product for two years against any defects in material or workmanship. The defective product will be replaced or repaired at no charge in either of two ways:

The first, which will result in exchanges only, is to return the product to the retailer from whom it was purchased (provided that the store is a participating retailer). Returns should be made within the time period of the retailer's policy for exchanges (usually 30 to 90 days after the sale). Proof of purchase may be required. Please check with the retailer for their specific return policy regarding returns that are beyond the time set for exchanges.

The second option is to take or send the product (prepaid) to a Black & Decker owned or authorized Service Center for repair or replacement at our option. Proof of purchase may be required. Black & Decker owned and authorized service centers are listed under "Tools-Electric" in the yellow pages of the phone directory.

This warranty does not apply to accessories. This warranty gives you specific legal rights and you may have other rights which vary from state to state. Should you have any questions, contact the manager of your nearest Black & Decker Service Center.

This product is not intended for commercial use.

Imported by
Black & Decker (U.S.) Inc.,
701 E. Joppa Rd.
Towson, MD 21286 U.S.A.



See 'Tools-Electric'
- Yellow Pages -
for Service & Sales



AVANT DE RETOURNER LE PRODUIT, PEU IMPORTE LA RAISON, PRIÈRE DE COMPOSER LE

1 800 544-6986

RENSEIGNEMENTS IMPORTANTS

- Avant de faire fonctionner l'outil, s'assurer que la souffeuse ou l'assemblage du tube d'aspiration soit bien enclenché.
- Mettre l'interrupteur en position d'arrêt (OFF) avant d'enfoncer le bouton de dégagement en vue de remplacer l'assemblage de la souffeuse ou du tube d'aspiration.

CONSERVER LE PRÉSENT GUIDE À TITRE DE RÉFÉRENCE.

⚠ Avertissement : Importantes Mesures de Sécurité

LIRE ET COMPRENDRE TOUTES LES DIRECTIVES AVANT D'UTILISER L'OUTIL.

AFIN DE RÉDUIRE LES RISQUES DE BLESSURES

- Avant toute utilisation, s'assurer que tous ceux qui se servent de l'outil lisent et comprennent toutes les mesures de sécurité et tout autre renseignement contenus dans le présent guide.
- Conserver ces mesures et les relire fréquemment avant d'utiliser l'outil ou d'en expliquer le fonctionnement à d'autres personnes.

⚠ **AVERTISSEMENT :** Lorsqu'on utilise des outils électriques, il faut toujours respecter les mesures de sécurité suivantes.

⚠ **AVERTISSEMENT :** Le produit génère de la poussière qui peut renfermer des produits chimiques. Selon l'état de la Californie, ces produits chimiques peuvent causer le cancer ainsi que des malformations congénitales, et ils présentent d'autres dangers au système reproductif humain. Voici des exemples de tels produits chimiques :

- les composés d'engrais;
- les composés d'insecticides, d'herbicides et de pesticides;
- l'arsenic et le chrome provenant de bois traité.

Afin de minimiser les risques, porter de l'équipement de sécurité approuvé comme des masques antipoussières spécialement conçu pour filtrer les particules microscopiques.

⚠ AVERTISSEMENT : Le produit renferme des produits chimiques, dont du plomb. Selon l'état de la Californie, ce produit chimique peut causer le cancer ainsi que des malformations congénitales, et il présente d'autres dangers au système reproductif humain. Se laver les mains après l'utilisation.

⚠ MISE EN GARDE : Porter un dispositif approprié de protection de l'ouïe lors de l'utilisation du produit. Dans certaines conditions et durées d'utilisation, le produit peut émettre un niveau de bruit provoquant la perte de l'ouïe.

LIRE TOUTES LES DIRECTIVES AVANT D’UTILISER L’OUTIL.

⚠ Mesures de sécurité pour tous les outils

- LIRE** et respecter toutes les mesures de sécurité.
- NE PAS** porter l'entrée ou la sortie du tube de l'aspirateur à proximité des yeux ou des oreilles lorsque l'outil fonctionne.
- L’OUTIL EST MUNI D’UNE DOUBLE ISOLATION.** Utiliser seulement des pièces de rechange identiques. Voir les directives sur l'entretien des outils à double isolation.
- RANGER LES OUTILS NON UTILISÉS** dans un endroit sec, situé en hauteur ou fermé à clé, hors de portée des enfants.
- NE PAS DÉPASSER SA PORTÉE.** Toujours demeurer dans une position stable et garder son équilibre en tout temps.
- NE PAS** aspirer d'objets en combustion tels les mégots de cigarette, des allumettes ou des cendres chaudes.
- BIEN ENTRETENIR L’OUTIL.** Garder le ventilateur propre afin d’optimiser et de sécuriser le rendement. Suivre les directives d’entretien.
- NE PAS** tenter de réparer l'outil. Pour garantir la sécurité et la fiabilité du produit, en confier les réparations, l’entretien et les réglages à un centre de service Black & Decker ou à un atelier d’entretien autorisé utilisant uniquement des pièces de rechange Black & Decker.
- NE PAS** utiliser l'outil dans des endroits où l’atmosphère renferme des vapeurs combustibles ou explosives. Les étincelles que produit habituellement le moteur en marche pourraient enflammer ces produits.
- NE PAS** se servir de l’outil pour ramasser des liquides inflammables ou combustibles (comme de l’essence) ni l’utiliser dans des endroits où de tels produits peuvent se trouver.
- FAIRE TRÈS ATTENTION** lorsqu'on travaille dans des escaliers.
- NE PAS** laisser l'outil branché sans surveillance. Le débrancher lorsqu'on ne s'en sert pas et avant d'en faire l'entretien.
- IL NE S’AGIT PAS** d'un jouet. Faire particulièrement attention lorsqu'un enfant utilise l'outil ou qu'on s'en sert près d'un enfant. Il est déconseillé de laisser un enfant se servir de l'outil.
- NE PAS** tenter de débloquer l'outil avant de le débrancher.
- UTILISER SEULEMENT L’OUTIL** de la manière prescrite dans le présent guide. Utiliser uniquement les accessoires recommandés par le fabricant.
- NE PAS** utiliser lorsque le cordon ou la fiche sont endommagés. Confier l'outil à un centre de service lorsqu'il ne fonctionne pas convenablement, lorsqu'il est tombé ou endommagé, lorsqu'il a été laissé à l'extérieur ou lorsqu'il est tombé à l'eau.
- NE PAS** tirer sur le cordon ni se servir du cordon pour transporter l'outil. Ne pas tirer sur le cordon près d'arêtes tranchantes ou de coins. Éloigner le cordon de toute surface chauffée.
- NE PAS** débrancher l'outil en tirant sur le cordon. Pour le débrancher, en saisir la fiche et non le cordon.
- NE RIEN** insérer dans les ouvertures. Ne pas utiliser l'outil lorsqu'une ouverture est bouchée; garder les ouvertures exemptes de poussière, de charpie, de cheveux et de tout ce qui peut réduire le débit d'air.
- ÉLOIGNER** les cheveux, les vêtements amples, les doigts et le corps des ouvertures ainsi que des pièces mobiles.
- METTRE TOUTES LES COMMANDES HORS FONCTION** avant de débrancher l'outil.
- NE PAS** utiliser pour aspirer de l'eau, tout autre liquide ou des objets mouillés comme des feuilles. Ne jamais immerger l'outil, au complet ou en partie.
- NE PAS** manipuler la fiche ni l'outil avec les mains mouillées.
- S’ASSURER QUE LES ENFANTS, LES OBSERVATEURS ET LES ANIMAUX se trouvent à une distance** minimale de 10 mètres (30 pieds) de la surface de travail lorsqu'on démarre l'outil ou qu'on s'en sert.
- EXAMINER LA ZONE** avant d'utiliser l'outil. Enlever tout débris ou objet dur (comme des pierres, du verre, des fils) qui peut ricocher, être éjecté ou provoquer des blessures ou des dommages lors de l'utilisation de l'outil. Lorsqu'on se sert de l'outil pour aspirer, celui-ci est conçu pour ramasser des matériaux secs (comme des feuilles, de l'herbe, de petites branches et des bouts de papier). Ne pas aspirer des roches, du gravier, du métal, du verre cassé ou d'autres objets semblables.

⚠ AVERTISSEMENT : Afin de minimiser les risques de secousses électriques, protéger de la pluie, ne pas s'en servir sur des surfaces mouillées et ranger à l'intérieur.

⚠ AVERTISSEMENT : Arrêter et débrancher l'appareil. Attendre au moins 10 secondes ou jusqu'à ce que le ventilateur s'arrête complètement avant de retirer l'assemblage de la souffleuse ou du tube d'aspiration.

CONSERVER CES MESURES.

Entretien des outils a double isolation

La souffleuse-aspirateur à double isolation procure une protection supplémentaire. Dans ce type d'outil, les deux systèmes d'isolant remplacent la mise à la terre. Il n'y a aucun moyen de mettre l'outil à la terre et aucun système de mise à la terre ne doit être ajouté à l'outil. L'entretien d'un outil à double isolation exige beaucoup de soin et une excellente connaissance du système; il ne devrait être confié qu'à un technicien compétent. Les pièces de rechange de ce type d'outil doivent être identiques aux pièces d'origine. Un outil à double isolation porte l'inscription «DOUBLE INSULATED» ou «DOUBLE INSULATION». Le symbole (un carré à l'intérieur d'un carré) peut aussi figurer sur l'outil.

⚠ Mesures de sécurité : cordons de rallonge

Les outils à double isolation sont munis d'un cordon bifilaire et ils peuvent être utilisés avec un cordon de rallonge muni de 2 ou de 3 fils. Il faut seulement utiliser des cordons de rallonge à gaine ronde et ils devraient être homologués par l'organisme américain *Underwriters Laboratories* (U.L.) ou la CSA (au Canada). Lorsque le cordon de rallonge est utilisé à l'extérieur, il doit être prévu à cet effet. Tout cordon extérieur peut servir à l'intérieur.

Les cordons de rallonge doivent être faits de conducteurs de calibre approprié (AWG ou calibre moyen de fil) par mesure de sécurité et afin de prévenir les pertes de puissance et les surchauffes. Le numéro de calibre du fil est inversement proportionnel à la capacité du cordon. Ainsi, un cordon de calibre 16 a une capacité supérieure à un cordon de calibre 18. Lorsqu'il est nécessaire d'utiliser plus d'un cordon de rallonge, veiller à ce que chaque cordon ait au moins le calibre minimal. Avant d'utiliser un cordon de rallonge, s'assurer qu'il n'y a pas de fils dénudés ni détachés, et que l'isolant et les raccords ne sont pas défectueux. Effectuer les réparations nécessaires ou remplacer le cordon, le cas échéant. Le tableau ci-dessous permet de déterminer le calibre minimal des cordons.

Calibre minimal des cordons de rallonge					
Tension	Longueur totale du cordon en pieds				
120 V	De 0 à25	De 26 à50	De 51 à100	De 101 à150	
240 V	De 0 à50	De 51à 100	De 101 à200	De 201 à300	
Intensité (A)					
Au moins	Au plus	Calibre moyen de fil (AWG)			
0	- 6	18	16	16	14
6	- 10	18	16	14	12
10	- 12	16	16	14	12
12	- 16	14	12	Non recommandé	

⚠ Mesures de sécurité : fiche polarisée

Afin de minimiser les risques de secousses électriques, le produit comporte une fiche polarisée (une lame plus large que l'autre). Il faut utiliser une rallonge polarisée appropriée, bifilaire ou trifilaire, avec ce produit. Ce genre de fiche n'entre que d'une façon dans une prise polarisée. S'assurer que la prise de la rallonge comporte des fentes de dimensions appropriées. Lorsqu'on ne peut insérer la fiche à fond dans la prise de la rallonge, il faut tenter de le faire après avoir inversé les lames de côté. Si la fiche n'entre toujours pas dans la prise, il faut se procurer une rallonge appropriée. Lorsqu'on ne peut insérer la fiche de la rallonge à fond dans la prise, il faut communiquer avec un électricien certifié. Il ne faut pas neutraliser la fiche de l'outil ni celle de la rallonge.

Avant d'utiliser l'outil

FIXATION DU CORDON D’ALIMENTATION : Fixer la rallonge dans le dispositif intégré prévu à cette fin tel qu’illustré à la figure 7.

Interrupteur

INTERRUPTEUR (Fig. 1)

Afin d’optimiser la maîtrise de l'outil, celui-ci comporte un commutateur à deux vitesses sur la poignée de la tête.

La position centrale du commutateur correspond à la position d'arrêt (0).

Pour utiliser la vitesse basse, déplacer le commutateur complètement vers l'arrière (I).

Pour utiliser la vitesse élevée, déplacer le commutateur à la position d'arrêt, puis vers l'avant (II).

NOTE : Le commutateur ne fonctionne pas lorsque le bouton de dégagement (fig. 1) est enfoncé.

Pour actionner l'outil, faire glisser le commutateur vers l'avant (fig. 1). Pour l'arrêter, faire glisser le commutateur au centre.

Assemblage

UTILISATION DE LA SOUFFLEUSE - TOUJOURS PORTER DES LUNETTES DE SÉCURITÉ. PORTER UN MASQUE LORSQUE LE TRAVAIL GÉNÈRE DE LA POUSSIÈRE. IL EST CONSEILLÉ DE PORTER DES GANTS EN CAOUTCHOUC ET DES CHAUSSURES ROBUSTES LORSQU'ON TRAVAILLE À L'EXTÉRIEUR. UTILISATION DOMESTIQUE SEULEMENT.

⚠ AVERTISSEMENT : Lorsqu'on arrête l'outil pour en remplacer un tube, ou pour toute autre raison, attendre 10 secondes pour l'immobilisation complète du ventilateur avant de démonter l'outil.

Tube d’aspiration (Fig. 4)

- Les tubes d'aspiration doivent être assemblés avant de s'en servir.
- Pour en faciliter l'installation, enduire la zone de connexion d'une solution savonneuse.
- Aligner les encoches et les triangles des tubes inférieur et supérieur (fig. 4).
- Pousser le tube inférieur fermement dans le tube supérieur jusqu'à ce que les triangles s'enclenchent en place. (Ne jamais se servir de ces tubes séparément.)
- Par mesure de sécurité, il ne faut pas séparer les tubes lorsqu'ils sont assemblés.

Tube de soufflage (Fig. 2)

- La coquille doit être installée sur le tube de soufflage avant de s'en servir.
- Aligner les cercles de la coquille sur le tube.
- Pousser le tube fermement contre la coquille jusqu'à ce que les cercles s'enclenchent en place.

Dispositif de retenue

- Un dispositif de retenue a été incorporé à l'arrière du bloc moteur (Fig. 7).
- Brancher le cordon dans le bloc moteur puis abaisser le levier du dispositif de retenue sur la prise pour la maintenir en place.
- Pour la dégager, appuyer sur le bouton latéral puis soulever le levier.

Utilisation de l'outil (Fig. 8)

Toujours porter des lunettes de sécurité pour l'aspiration ou le soufflage. Porter un masque lorsque le travail génère de la poussière.

Mode de soufflage

- S'assurer que l'outil est hors tension et débranché.
- Fixer le tube de soufflage avec la coquille à la tête de l'outil (fig. 3) en suivant les flèches, puis faire pivoter la tête jusqu'à ce que le dispositif de blocage s'enclenche.
- Tenir le tube de soufflage à environ 180 mm (7 po) du sol. Actionner l'outil et y imprimer un mouvement latéral en se déplaçant lentement vers l'avant en gardant les feuilles et les débris devant soi (fig. 9).
- Lorsque les feuilles et les débris forment un tas, on peut passer au mode d'aspiration pour les ramasser.
- En installant l'accélérateur fourni, on peut grandement augmenter le débir d'air de l'outil (fig. 12).

Retrait des tubes de soufflage u d’aspiration

- Mettre l'outil hors tension et le débrancher.
- Pour retirer le tube de soufflage ou le tube d'aspiration de la tête, il faut enfoncer le bouton de dégagement et s'assurer que le tube ne tombe pas au sol.
- On ne peut pas enfoncer le bouton de dégagement lorsque le commutateur est en position de marche (fig. 1).**

Montage de la bretelle

• Attacher la bretelle au bloc moteur, si nécessaire, et l'ajuster à la taille de l'utilisateur.

Pour votre confort, la bretelle a été conçue pour l'utilisation en mode aspirateur.

- Points de fixation doubles
 - Insérer le crochet dans l'œillet situé sur le bloc moteur (Fig. 10)
 - Insérer le crochet dans l'œillet à l'arrière du bloc moteur (Fig. 11)

Mode aspirateur

• **Arrêter l'appareil et le débrancher du secteur.**

Pour attacher l'ensemble sac à votre appareil :

Faire glisser le bord du sac dans la rainure de support du sac en s'assurant que l'avant du sac est placé sur la sortie de l'aspirateur comme illustré en Fig. 5.

Faire glisser le sac à fond dans la rainure puis relâcher le verrou pour verrouiller la poignée dans le haut du sac (Fig. 6).

Placer le tuyau d'aspiration au-dessus des débris/feuilles. Mettre l'appareil en marche, et par des mouvements de balayage les débris/feuilles seront aspirés, broyés et déposés au fond du sac (Fig. 8).

Dans le cas de débris formant un tapis, l'outil comporte un racloir. S'en servir pour libérer les débris et continuer d'aspirer.

La puissance d'aspiration diminue à mesure que le sac se remplit. Mettre l'outil hors tension et le débrancher du secteur.

Enfoncer la languette pour faire glisser le sac hors du support.

Pour le vider, tenir la poignée en plastique et saisir la poignée en nylon sous le sac.

Renverser le sac et le secouer (fig. 5C).

- Pour faciliter l'utilisation en mode aspirateur, il est conseillé d'ajuster l'appareil à la taille de l'utilisateur à l'aide de la bretelle (Fig. 8).

⚠ MISE EN GARDE : IL FAUT METTRE L'OUTIL HORS TENSION ET LE DÉBRANCHER AVANT DE RETIRER LE SAC.

NOTE : Lorsque la puissance d'aspiration diminue et que le sac n'est pas plein, le tube d'aspiration est probablement bloqué. Mettre l'outil hors tension, le débrancher et débloquer le tube avant de continuer.

Utilisation

- Ne pas utiliser l'aspirateur sans le tube d'aspiration et le sac en place.
- Toujours mettre l'outil hors tension et le débrancher avant de faire ce qui suit :
 - Passer du mode de soufflage au mode d'aspiration.
 - Lorsque le cordon d'alimentation est endommagé ou enchevêtré.
 - Lorsqu'on laisse l'outil sans surveillance.
 - Lorsqu'on le débloque.
 - Lorsqu'on l'examine, le règle, le nettoie ou le répare.
- Utiliser l'outil à la lumière du jour ou avec un bon éclairage.

Entretien

•**NETTOYAGE ET RANGEMENT**

METTRE L’OUTIL HORS TENSION ET LE DÉBRANCHER. (Débrancher le cordon de rallonge de la source d'alimentation.)

Utiliser seulement du savon doux et un chiffon humide pour nettoyer l'outil. Enlever tout brin accumulé dans l'outil. Lorsqu'on s'en sert dans des conditions normales avec des feuilles sèches, la chambre du ventilateur de l'outil devrait rester propre. Lorsqu'on aspire de la terre ou des débris humides, la chambre du ventilateur peut se salir. Le cas échéant, le rendement de l'outil diminue. On peut nettoyer cette zone en l'essuyant avec un chiffon humide après avoir débranché l'outil. Il faut ranger l'outil dans un endroit sec.

⚠ MISE EN GARDE : NE PAS VERSER DE L'EAU SUR L'OUTIL NI LE VAPORISER POUR LE NETTOYER.

Ne pas ranger l'outil sur des produits chimiques ni sur des engrais, ou près de ceux-ci, au risque de provoquer la corrosion rapide des pièces métálicas de l'outil.

Utiliser seulement du savon doux et un chiffon humide pour nettoyer l'outil. Ne laisser aucun liquide s'infiltrer dans l'outil et ne jamais immerger celui-ci, complètement ou en partie.

Important

Pour assurer la **SÉCURITÉ D'EMPLOI** et la **FIABILITÉ** de l'outil, n'en confier la réparation, l'entretien et les rajustements (autres que ceux spécifiés dans le présent guide) qu'à un centre de service ou à un atelier d'entretien autorisé n'utilisant que des pièces de rechange idénticas.

Renseignements relatifs au service

Black & Decker exploite un réseau complet de centros de servicio et d'ateliers d'entretien autorisés par toute l'América del Norte. El personal de todos los centros de servicio Black & Decker a recibido la formación necesaria para asegurar el mantenimiento eficaz y fiable de las herramientas eléctricas. Para obtener información técnica, consejos relativos a reparaciones o despieces de reemplazo de origen, comuníquese con el centro de servicio Black & Decker de la región. Se puede encontrar la dirección del centro de servicio de la región en el directorio de Páginas Amarillas en la sección «Herramientas eléctricas» o componiendo el número siguiente : **1 800 544-6986**.

Garantía completa de dos años para uso doméstico

Black & Decker garantiza el producto por un período de dos años contra los vicios de materia o de fabricación. El producto defectuoso será reparado o reemplazado sin costo de conformidad con una de las condiciones siguientes.

Para intercambiar el herramienta, basta con devolverla al detallante (si el detallante participa en el programa de intercambio rápido Black & Decker). El retorno debe ser efectuado dentro de los plazos establecidos por la política de retorno del detallante (habitualmente entre 30 y 90 días después de la fecha de compra). El detallante puede exigir una prueba de compra. Pídale verificar la política de retorno del detallante más allá de los plazos establecidos.

Se puede también devolver el herramienta (portado) a un centro de servicio Black & Decker o a cualquier otro taller de mantenimiento acreditado para ser reemplazado o reparado, a su elección. Se puede exigir una prueba de compra. Las direcciones de centros de servicio Black & Decker se encuentran en la sección «Herramientas eléctricas» de las Páginas Amarillas.

La presente garantía no cubre los accesorios. Las modalidades de la presente garantía están descritas en los términos y condiciones específicos. El usuario puede también beneficiarse de otros derechos según el estado o la provincia en la que reside. Para obtener más información, comuníquese con el gerente del centro de servicio Black & Decker de la región.

El producto no está diseñado para uso comercial.

Importado por
Black & Decker Canada Inc.
100 Central Ave.
Brockville (Ontario) K6V 5W6

Voir la rubrique «Outils électriques»
des Pages jaunes
pour le service et les ventes.



**ANTES DE DEVOLVER ESTE PRODUCTO
POR CUALQUIER MOTIVO POR FAVOR LLAME
(55)5326-7100**

INFORMACIÓN CLAVE QUE DEBE SABER:

- Antes de operar la unidad, asegúrese de que el montaje del tubo del soplador o de aspirado estén en su sitio.
- El interruptor debe estar en posición de APAGADO para poder oprimir el botón de liberación para cambio de montajes de tubo de soplador o de aspirado.

CONSERVE ESTE MANUAL PARA FUTURAS REFERENCIAS

⚠ ADVERTENCIA: ADVERTENCIAS E INSTRUCCIONES

POR FAVOR LEA CUIDADOSAMENTE TODAS LAS INSTRUCCIONES ANTES DE USAR LA UNIDAD.

Para reducir el riesgo de lesiones:

- Antes de cualquier uso, asegúrese que cualquier persona que vaya a utilizar esta herramienta lea y comprenda todas las instrucciones de seguridad y la información contenida en este manual.
- Conserve estas instrucciones y repáselas con frecuencia antes de usar la herramienta e instruir a otras personas.

⚠ **ADVERTENCIA:** Siempre que utilice herramientas eléctricas debe seguir ciertas precauciones básicas de seguridad, a fin de reducir los riesgos de incendio, choque eléctrico y lesiones personales, entre las que se encuentran las siguientes.

⚠ **ADVERTENCIA:** Parte del polvo originado por este producto contiene químicos que en el Estado de California se consideran como causantes de cáncer, defectos congénitos u otros daños reproductivos. Algunos ejemplos de estos químicos son:

- compuestos en fertilizantes
- compuestos en insecticidas, herbicidas y pesticidas
- arsénico y cromo de madera tratada químicamente

Para reducir su exposición a estos químicos, utilice equipo de seguridad aprobado como máscaras contra polvo diseñadas específicamente para filtrar partículas microscópicas.

⚠ **ADVERTENCIA:** Este producto contiene químicos, incluyendo plomo, que en el Estado de California se consideran como causantes de cáncer y defectos congénitos u otros daños reproductivos. Lave sus manos después de manejarlo.

⚠ **PRECAUCIÓN:** Emplee la protección personal y auditiva adecuada durante el uso de este producto. Bajo ciertas condiciones y duración de uso, el ruido producido por este producto puede contribuir a la pérdida auditiva.

LEA TODAS LAS INSTRUCCIONES ANTES DE USAR EL SOPLADOR

⚠ Advertencias e instrucciones generales de seguridad para todas las herramientas

- **LEA** y siga todas las instrucciones.
- **NO** coloque la entrada o la salida de la aspiradora cerca de sus ojos u oídos cuando esté en operación.
- **ESTE APARATO CUENTA CON DOBLE AISLAMIENTO.** Solamente utilice refacciones idénticas. Consulte las instrucciones sobre el servicio a aparatos con doble aislamiento.
- **GUARDE LAS HERRAMIENTAS QUE NO EMPLEE.** Cuando no utilice la herramienta, ésta deberá guardarse en un lugar seco y elevado o bajo llave, fuera del alcance de los niños.
- **NO SE SOBREEXTIENDA.** Conserve siempre bien apoyados los pies así como el equilibrio.
- **NO** recoja objetos en combustión o humeantes, tales como cigarrillos, cerillos o cenizas calientes.
- **CUIDE LA HERRAMIENTA.** Conserve limpia la zona del ventilador para que funcione mejor y de manera más segura. Siga las instrucciones para el mantenimiento apropiado.
- **NO** intente reparar el soplador/aspiradora. Para garantizar la seguridad y la confiabilidad del producto, las reparaciones el mantenimiento y los ajustes deben ser realizados por centros de servicio Black & Decker u otras organizaciones de servicio autorizado, que utilicen siempre refacciones Black & Decker.
- **NO** opere el soplador/aspiradora en atmósferas gaseosas o explosivas. Los motores en estas unidades producen chispas en condiciones normales, y estas chispas pueden originar la ignición de los vapores.

- **NO** se utilice para recoger líquidos combustibles o inflamables como gasolina, ni se utilice en áreas en las que puedan estar presentes.
- **TENGA MUCHO CUIDADO** cuando limpie en escalones.
- **NO** deje el aparato cuando esté conectado. Desconéctelo de la toma de corriente cuando no esté en uso y antes de darle servicio.
- **NO** permita que se utilice como juguete. Se requiere atención cercana cuando se utilice por niños o cerca de ellos. No se recomienda para ser usada por niños.
- **NO** intente limpiar la unidad sin antes desconectarla.
- **ÚSESE SOLAMENTE** como se describe en este manual. Solamente utilice los dispositivos recomendados por el fabricante.
- **NO** se use si el cable o la clavija están dañados. Si el aparato no funciona como debiera, si se ha caído o dañado, si se ha dejado a la intemperie o se dejado bajo el agua, envíelo a un centro de servicio.
- **NO** tire del cable ni cargue la herramienta por éste, no lo utilice como asa ni lo coloque sobre bordes o aristas afilados. Aléjelo de superficies calientes.
- **NO** desconecte tirando del cable. Para desconectar, tire de la clavija, no del cable.
- **NO** coloque ningún objeto en las aberturas. No se use con ninguna abertura bloqueada; consérvelas libres de polvo, pelusas y cualquier objeto que pueda reducir el flujo de aire.
- **CONSERVE** cabello, pelo, ropas flojas, dedos y demás partes del cuerpo alejados de aberturas y partes móviles.
- **APAGUE** todos los controles antes de desconectar la unidad.
- **NO** aspire agua, otros líquidos ni objetos mojados como hojas. Nunca sumerja ninguna parte de la herramienta en ningún líquido.
- **NO** maneje la clavija ni otra parte de la unidad con las manos húmedas.
- **CONSERVE A LOS NIÑOS, ESPECTADORES Y ANIMALES ALEJADOS** del área de trabajo, a un mínimo de 10 metros cuando encienda u opere la unidad.
- **REVISE EL ÁREA** antes de usar la unidad. Elimine todos los objetos duros como rocas, vidrios, alambres, etc., que puedan salir despedidos y por consiguiente, causar lesiones durante la operación. Como aspiradora, la unidad está diseñada para recoger materiales secos como hojas, pasto, pequeñas varas y trozos de papel. No aspire piedras, grava, metales, trozos de vidrio, etc.

⚠ **ADVERTENCIA:** Para reducir el riesgo de choque eléctrico; no se exponga a la lluvia, no se utilice sobre superficies mojadas. Guárdese bajo techo.

⚠ **ADVERTENCIA:** Apague y desconecte la unidad, después, espere a que el ventilador se detenga o al menos 10 segundos antes de desmontar los subensambles de aspirado o del soplador.

CONSERVE ESTAS INSTRUCCIONES

Servicio a aparatos con doble aislamiento

Su Soplador/Aspiradora cuenta con doble aislamiento para brindarle protección añadida. En los aparatos con doble aislamiento, se cuenta con dos sistemas de aislamiento en lugar de conexión a tierra. No se proporciona ningún medio de aterrizaje en un aparato con doble aislamiento, ni se requiere añadirle ninguno. El servicio a aparatos con doble aislamiento requiere de cuidado extremo y de conocimiento del sistema, y debe ser efectuado solamente por personal de servicio calificado. Las piezas de repuesto para aparatos con doble aislamiento deben ser idénticas a las que reemplazan. Los aparatos con doble aislamiento están marcados con las palabras "doble aislamiento". El símbolo (un cuadro dentro de otro) puede estar también marcado en el aparato.

Reglas e instrucciones de seguridad: Cables de extensión

Las herramientas con doble aislamiento tienen cables con dos líneas y pueden utilizarse con extensiones de 2 o de 3 líneas. Solamente deben usarse extensiones con cubierta cilíndrica, y le recomendamos que estén aprobadas por Underwriters Laboratories (U.L.) (NOM en México). Si la extensión se empleará a la intemperie, deberá ser adecuada para ello. Cualquier extensión destinada para uso a la intemperie se puede utilizar para trabajar bajo techo.

Una extensión debe contar con el calibre adecuado (AWG o American Wire Gauge) por seguridad, y para evitar pérdida de potencia y sobrecalentamiento. Mientras menor sea el número, mayor será la capacidad del cable, por ejemplo, un cable de calibre 16 tiene mayor capacidad que uno de calibre 18. Cuando emplee más de una extensión para alcanzar la longitud total, asegúrese que cada extensión contenga por lo menos el calibre mínimo requerido. Antes de utilizar un cable de extensión, revíselo en busca de alambres flojos o expuestos, aislamiento dañado y uniones defectuosas. Haga las reparaciones necesarias o reemplace el cable en caso necesario.

Para determinar el calibre mínimo requerido para el cable, consulte la tabla que sigue:

Volts	Calibre mínimo para cables de extensión				
	Longitud total del cordón en metros				
120V	0-7.62	7.63-15.24	15.25-30.48	30.49-45.72	
240V	0-15.24	15.25-30.48	30.49-60.96	60.97-91.44	
AMPERAJE					
Más de	No más de	Calibre del cable AWG			
0	6	18	16	16	14
6	10	18	16	14	12
10	12	16	16	14	12
12	16	14	12	No Recomendado	

⚠ Advertencias e instrucciones de seguridad: Clavija polarizada

Este equipo cuenta con una clavija polarizada (con una pata más ancha que la otra) para reducir el riesgo de choque eléctrico. El equipo debe utilizarse con una extensión adecuada de 2 o 3 cables. Las conexiones polarizadas solamente ajustan de una manera. Asegúrese que la conexión hembra de la extensión tenga una ranura grande y una más pequeña. Si la clavija no se ajusta completamente a la extensión, invírtala. Si aún así no ajusta, consiga una extensión adecuada. Si la extensión no se ajusta por completo a la toma de corriente comuníquese con un electricista calificado para que le instale la toma de corriente adecuada. Por ningún motivo cambie la clavija en la herramienta o en la extensión de ninguna manera.

Antes de operar

ASEGURE EL CABLE DE ALIMENTACIÓN - Asegure el cable de extensión en el retén integrado en la herramienta, como se muestra en la Figura 7.

Interruptor

INTERRUPTOR DE ENCENDIDO Y APAGADO (FIG. 1)

Para mayor control, su soplador aspiradora cuenta con un interruptor de dos velocidades que se encuentra en el mango de la cabeza de poder.

El interruptor tiene apagado central, posición 0.

Para usarlo en baja velocidad, mueva el interruptor completamente hacia la posición trasera I.

Para cambiar a velocidad alta, devuelva el interruptor a la posición de apagado y después hacia adelante a la posición II.

NOTA: El interruptor no funcionará si el botón de liberación, figura 1, está oprimido. Para ENCENDER la herramienta, deslice el interruptor hacia adelante, como se ilustra en la figura 1. Para APAGAR la herramienta, deslice el interruptor a la posición media.

Ensamblaje

USO COMO SOPLADOR: SIEMPRE UTILICE GAFAS DE SEGURIDAD, UTILICE UNA MASCARILLA SI LA OPERACIÓN PRODUCE POLVO, SE RECOMIENDA EL EMPLEO DE GUANTES DE GOMA Y CALZADO GRUESO CUANDO TRABAJE A LA INTemperIE. ÚNICAMENTE PARA USO DOMÉSTICO.

⚠ **ADVERTENCIA:** Cuando apague la unidad para instalar el tubo o por cualquier otro motivo, espere 10 segundos a que el ventilador se detenga antes de desensamblar.

Ensamblaje del tubo de aspirado (Fig. 4)

- Los tubos de aspirado deben ensamblarse entre sí antes de usarse.
- Para facilitar el ensamblaje aplique una solución de agua con jabón a la zona de la articulación.

- Alinear las muescas y los triángulos del tubo superior e inferior (Fig. 4).
- Haga coincidir las muescas y los triángulos en los tubos superior e inferior. (Nunca opere sin haberlos ensamblado.)
- En aras de la seguridad, los tubos no están hechos para separarse una vez que se han ensamblado.

Ensamblaje del tubo de soplado (Fig. 2)

- El tubo de soplado debe ensamblarse a la coraza de soplado antes de usarse.
- Haga coincidir los círculos en la coraza y el círculo.
- Empuje el tubo con firmeza en la coraza hasta escuchar que los círculos hacen un chasquido.

Dispositivo de retención del cable

- La parte posterior de la unidad de potencia tiene un dispositivo incorporado para la retención del cable. (Fig. 7)
- Inserte el cable a la unidad de potencia y coloque la palanca de retención del cable contra el enchufe para retenerlo.
- Para soltarlo, presione el botón lateral y tire de la palanca hacia arriba.

Usando su producto (Fig. 8)

Siempre que utilice su unidad, ya sea como soplador o como aspiradora, use gafas de seguridad. Si se utiliza en condiciones de mucho polvo, utilice también una mascarilla.

Modo de soplador

- Asegúrese que la unidad esté APAGADA y desconectada de la toma de corriente.
- Instale la coraza y el tubo de soplado en la cabeza de poder (Fig. 3) colocando el soplador como indica la flecha, después gire hasta este punto hasta que el mecanismo de cerrado/liberación se accione.
- Sujete el tubo a aproximadamente 18 cm (7") del suelo, haciendo un movimiento de barrido de lado a lado, avance lentamente y conserve las hojas y desechos acumulados frente a usted (Fig. 9)
- Una vez que haya hecho una pila con los desechos y hojas, puede cambiar la unidad al modo de aspirado para recolectar los desechos.
- La instalación del concentrador ayudará a eliminar desechos y hojas triturados (Fig. 12).

Remoción del tubo de soplado/aspirado

- Apague su producto y desconéctelo de la toma de corriente.
- Para desconectar la coraza de soplado o el tubo de aspirado de la cabeza de poder, oprima el botón de liberación, asegúrese de que el tubo no caiga a tierra.
- **No podrá oprimir el botón de liberación si el interruptor está en posición de “encendido” (Fig. 1).**

Unidad de correa para transporte

- Instale la correa para transporte en la unidad de potencia, si se requiere, y ajústela para acomodarla al usuario. Para su comodidad, la correa ha sido diseñada para ser utilizada cuando la unidad está en modalidad de aspirado.
 1. Ajuste en dos puntos
 - Inserte el gancho por el ojete de la unidad de potencia (Fig. 10).
 - Inserte el gancho por el ojete de la parte posterior de la unidad de potencia (Fig. 11).

Modalidad de aspirado

- **Apague su producto y desconéctelo de la toma de corriente.**

Para instalar la unidad de bolsa en su producto:

Ponga el borde de la bolsa en el canal de sujeción de la bolsa, asegurándose que la parte delantera de la bolsa esté puesta encima de la toma de la aspiradora, como lo muestra la Fig. 5.

Deslice la bolsa completamente en el canal y presione el seguro para bloquear el mango en la parte superior de la bolsa. (Fig. 6)

Ponga el tubo encima de basuras/hojas. Encienda su producto. Luego, haciendo un movimiento de barrido, succione con el tubo las basuras/hojas. Estas serán trituradas y depositadas en la bolsa de colección. (Fig 8)

Para hojas y desechos aplastados, el tubo de su aspirador incorpora un rastrillo. Utilice este rastrillo para aflojar los desechos y continúe aspirando con normalidad.

Al llenarse la bolsa, el poder de succión disminuirá, apague su producto y desconéctelo de la toma de corriente.

Para sacar la bolsa, oprima el seguro para desengancharla de del sujetador de la bolsa y deslizar la bolsa hacia fuera.

Para vaciarla, sujete el asa de plástico y tome el mango de nylon que se encuentra en la parte inferior de la bolsa. Voltee la bolsa de cabeza y sacuda hojas y desperdicios. (Fig. 5C)

- Para una mayor facilidad de uso en la modalidad de aspirado, la herramienta debería ser ajustada al usuario con la correa para el hombro (Fig. 8).

⚠ PRECAUCIÓN: NUNCA RETIRE LA BOLSA DE RECOLECCIÓN SIN ANTES HABER APAGADO Y DESCONECTADO LA ASPIRADORA.

NOTA: Si la succión disminuye y la bolsa no está llena, el tubo de aspirado está probablemente tapado con desechos. Apague y desconecte la aspiradora y limpie el tubo antes de continuar.

Operación

- No se use en el modo de aspirado sin los tubos de aspirado y sin la bolsa de recolección en su lugar.
- Apague y desconecte la clavija de la toma de corriente cuando:
 - Cambie de modo de soplador a aspiradora.
 - El cable de alimentación se haya dañado o enredado.
 - Vaya a dejar su producto desatendido.
 - Vaya a limpiar una obstrucción.
 - Revise, ajuste limpie o trabaje en su producto.
- Use su producto únicamente con luz de día o con buena luz artificial.

Mantenimiento

• LIMPIEZA Y GUARDADO

¡APAGUE Y DESCONECTE LA HERRAMIENTA (desconecte el cable de extensión de la toma de corriente).

Utilice únicamente jabón suave y un trapo húmedo para limpiar la herramienta. Limpie todos los desechos y recortes que se hayan acumulado en su Blower/Vac. Cuando la unidad se utiliza apropiadamente con hojas secas, la cámara del ventilador debe permanecer limpia. Si se trabaja con tierra y desechos húmedos, algunas de las partículas se pueden acumular en el interior de la cámara del ventilador. Si esto ocurre, el rendimiento de la unidad bajará.

Esta zona puede limpiarse frotando con un trapo húmedo después de desconectar la unidad.

Su soplador aspiradora Blower/Vac debe guardarse en un lugar seco.

⚠ PRECAUCION: NO VACÍE O ROCÍE AGUA EN LA HERRAMIENTA EN UN INTENTO POR LIMPIARLA.

No guarde la herramienta sobre fertilizantes o productos químicos ni junto a ellos. Dicho almacenaje puede ocasionarle una rápida corrosión a las partes metálicas.

Utilice únicamente jabón suave y un trapo húmedo para limpiar la herramienta.

Nunca permita que se introduzcan líquidos en la herramienta; nunca sumerja ninguna parte de la herramienta en ningún líquido.

Important

Para garantizar la **SEGURIDAD** y la **CONFIABILIDAD** del producto; las reparaciones, el mantenimiento y los ajustes (diferente de los mencionados en este manual) deberán ser efectuados por centros de servicio autorizado u otras organizaciones de servicio calificadas que utilicen siempre refacciones idénticas.

Información de servicio

Black & Decker ofrece una red completa de centros de servicio propiedad de la compañía y franquiciados a través de toda Norteamérica. Todos los centros de servicio Black & Decker cuentan con personal capacitado para proporcionar el servicio a herramientas más eficiente y confiable.

Siempre que necesite consejo técnico, reparaciones o partes de repuesto genuinas, comuníquese con el centro Black & Decker más cercano a usted.

Para encontrar su centro de servicio local, consulte la sección amarilla bajo "Herramientas eléctricas", o llame al: **(55)5326-7100**

Garantía completa para uso doméstico por dos años

Black & Decker (U.S.) garantiza este producto por dos años completos contra cualquier falla originada por materiales o mano de obra defectuosos. El producto defectuoso será reemplazado o reparado sin cargo alguno en cualquiera de las siguientes dos maneras: La primera, que resulta únicamente en cambios, es regresar el producto al vendedor al que se compró (en la suposición que es un distribuidor participante). Las devoluciones deberán hacerse dentro del tiempo estipulado por la política de cambios del distribuidor (usualmente de 30 a 90 días después de la venta). Se puede requerir prueba de compra. Por favor verifique con el vendedor las políticas específicas de devolución relacionadas a las devoluciones en tiempo posterior al estipulado para cambios.

La segunda opción es llevar o enviar el producto (con porte pagado) a los centros de servicio Black & Decker propios o autorizados, para que la reparemos o reemplacemos a nuestra opción. Se puede requerir prueba de compra. Los centros de servicio Black & Decker propios y autorizados están enlistados bajo “Herramientas eléctricas” en la sección amarilla del directorio telefónico.

Este producto no está diseñado para uso comercial.

ESPECIFICACIONES

Tension de alimentación:	120 V AC
Potencia nominal:	700 W
Frecuencia de operación:	60 Hz
Consumo de corriente:	6,6 A

Para reparación y servicio de sus herramientas eléctricas, favor de dirigirse al Centro de Servicio más cercano:

CULIACAN, SIN
Av. Nicolás Bravo #1063 Sur
(667) 7 12 42 11
Col. Industrial Bravo

GUADALAJARA, JAL
Av. La Paz #1779
(33) 3825 6978
Col. Americana Sector Juarez

MEXICO, D.F.
Eje Central Lázaro Cardenas
No. 18
(55) 5588 9377
Local D, Col. Obrera

MERIDA, YUC
Calle 63 #459-A
(999) 928 5038
Col. Centro

MONTERREY, N.L.
Av. Francisco I. Madero
No.831
(81) 8375 2313
Col. Centro

PUEBLA, PUE
17 Norte #205
(222) 246 3714
Col. Centro

QUERETARO, QRO
Av. Madero 139 Pte.
(442) 214 1660
Col. Centro

SAN LUIS POTOSI, SLP
Av. Universidad 1525
(444) 814 2383
Col. San Luis

TORREON, COAH
Blvd. Independencia, 96 Pte.
(871) 716 5265
Col. Centro

VERACRUZ, VER
Prolongación Díaz Mirón #4280
(229)921 7016
Col. Remes

VILLAHERMOSA, TAB
Constitución 516-A
(993) 312 5111
Col. Centro

PARA OTRAS LOCALIDADES LLAME AL: (55) 5326 7100

Para servicio y ventas consulte
"HERRAMIENTAS ELECTRICAS"
en la sección amarilla.



IMPORTADOR: BLACK & DECKER S.A. DE C.V.
BOSQUES DE CIDROS ACCESO RADIATAS NO. 42
BOSQUES DE LAS LOMAS, 05120 MEXICO, D.F.
(55) 5326-7100