

# WIMIUS

## T3 Mini LED Projector

User Manual



# Mini LED projector T3 user manual

Please read the manual carefully before using this product .The powerful T3 using LCD projection technology, the latest generation (bridgelux)LED light with low power consumption, fast response,vivid color reduction processingmakes the color bright and clear, long life (fifty thousand hours long life), high contrast (up to 1000: 1), resolution 800 \* 480 .Fully enclosed dust and copper pipe cooling design, Make the work noise lower .Support external TF card (maximum to 64G). Directly read and projection the TXT files that stored in the machine . Support the machine's memory or TF card to play high-definition video, pictures and other multimedia files, full decode 480p, 720P. 1080P and other HD sources .The OSD Language can be Select Simplified Chinese, Traditional Chinese, English, Spanish, German, Italian, French, Russian and other 20 kinds of international languages , support large capacity mobile hard disk (500G-2T,mobile hard disk need external power supply)

## One. Product Description

It can put the whole color video image signal processing into the big screen for presentations or enjoyment, it is especially suitable for dance halls, karaoke OK, home theater and business presentation.The projector can use the remote control for full function remote control, you can use the buttons on the body to operate. The whole machine adopts micro computer intelligent control, can automatically control the switch machine self-test, with anti misoperation shutdown,light source protection, thermal protection, fan detection monitoring circuit, ad hoc brightness AGC, clear image sharpness adjustment, optical keystone correction, hand control, remote control receiver circuit, greatly improving the overall stability and reliability.

The projector can be externally connected with 5 basic image signal sources:

a high definition VGA interface signal source

a HDMI HD input

a composite video signal source

a USB inputs

a SD card input

It can be easily connected to DVD players, VCD machines, video recorders, cameras, game consoles, digital cameras and computer karaoke machines and PCs

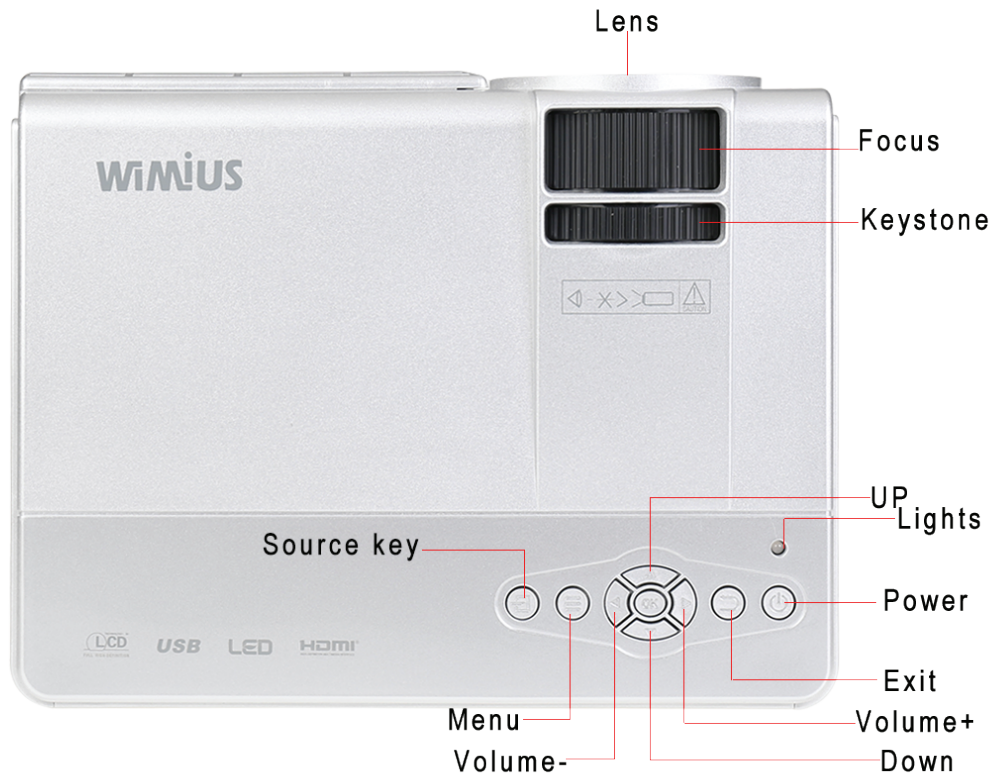
This series of projectors can be easily installed Front / Rear / hanging cast .And it also has a projection screen 16: 9, 4: 3, two display modes to meet your different preferences.This series of projectors with high luminous efficiency optical engine system, including the use of precision

dozens of layers of reflective material professional optical reflector, multi-slice mufti-specialty group of the projector lens, etc.,to make the short-focus wide-screen precision optical systems.

## 1. Product Specifications:

Projection Type	Home Theater Projector
Display technology type	LCD technology
The type of light source	LED light source
Nominal Brightness	1200 lumens
Contrast	1000 :1
Resolution	800*480
Diagonal screen size	37-100 inch
Projection Distance	1.16-3.0M
Installation method	Front, Rear, Ceiling, Desktop
Image size	37 inches /1.16 m
screen ratio	16 : 9/4:3
Uniformity of light source brightness	90%
Focus	Manual
Projection Color	16770000
Light life	≥50000 hours
TF card (U disk) Maximum support	64G
port	USB input * 1, TF card input * 1, AV * 1, HDMI input * 1, VGA input * 1
Audio output	*1 ( L/R )
Power standard	≤60 W
Built-in speaker	2W/8ohm
HDMI/VGA/AV	576i、720P、720i、720P、1080i、1080P
Keystone correction	±15°
power supply	110V-220V

## 2.product appearance



Power key: Press to open or close the projector, and as same as the power button on the remote control. Volume plus,minus key: press these two buttons can increase or decrease the volume, but also for the left and right of each menu under the Project menu and move the selection parameter adjustment.

Menu key: to call up the main menu or exit the system. Select the up and down keys: press these two buttons can be moved up and down to select the next menu item of each menu. Source selection keys: select broadcasttelevision signal or an external video signal. Lens: Turn this lens, you can adjust the focus state of each pixel in the image, changing the clarity of the image.Inlet and outlet: inlet and outlet of the air-cooled engine cooling system, the use of the process, it is never blocked or clogged, so as not to burn the machine.



- (1) Audio output headphone port seat, connect an external audio signal amplifying device or headphones.
- (2) AV (video) input port.
- (3) TF Card port, insert the TF card ,TF card can play audio, video and picture files.
- (4) HDMI port HD video signal, the computer connection, HDMI output signal terminal of the DVD.
- (5) USB port, insert U disk U disk can play audio, video and picture files.
- (6) VGA (PC, PC) signal input port

### 3.Remote Control Key Names



## Two. Installation Projector

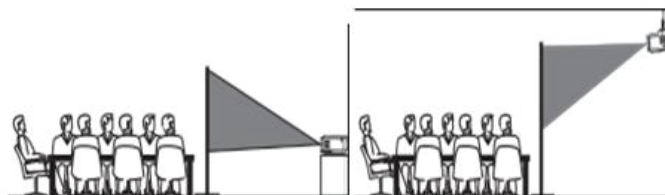
### 1. Installation method

Place the projector on a solid, stable surface or hanger, surrounding ventilation, do not block the vents or shelter, and no shelter vents objects within 10CM. So that the projector and screen to maintain an appropriate distance from the projector and screen determines the size of the projected image. Connect the projector's power cord to a power outlet and the projector, and the other end is connected with the AC ground. Depending on your needs, you can place the projector on a stable counter top forward projected onto the screen, you can also use special hangers will be fixed on the roof playing, can also be used behind a screen, and cast from behind the screen image.



Front

Ceiling

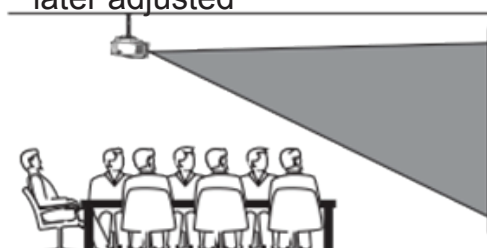


Rear

Install rear hanger

Installation Note: When forward lifting, the body can not be higher than the projection on the edge of the screen, otherwise it will affect the effect of adjusting the image or trapezoidal. Please refer to "The distance between the projector and the screen" section to determine the size of the distance between the screen and the projector. Place the projector screen is on the axis of symmetry about the installation, in order to avoid the image left and right trapezoidal distortion.

During installation, do not live operation, in order to avoid risk of electric shock or burn the machine. Just packed projectors, the first boot image may appear on the bottom was a trapezoidal distortion and blur, see the "keystone correction and focus adjustment" section later adjusted



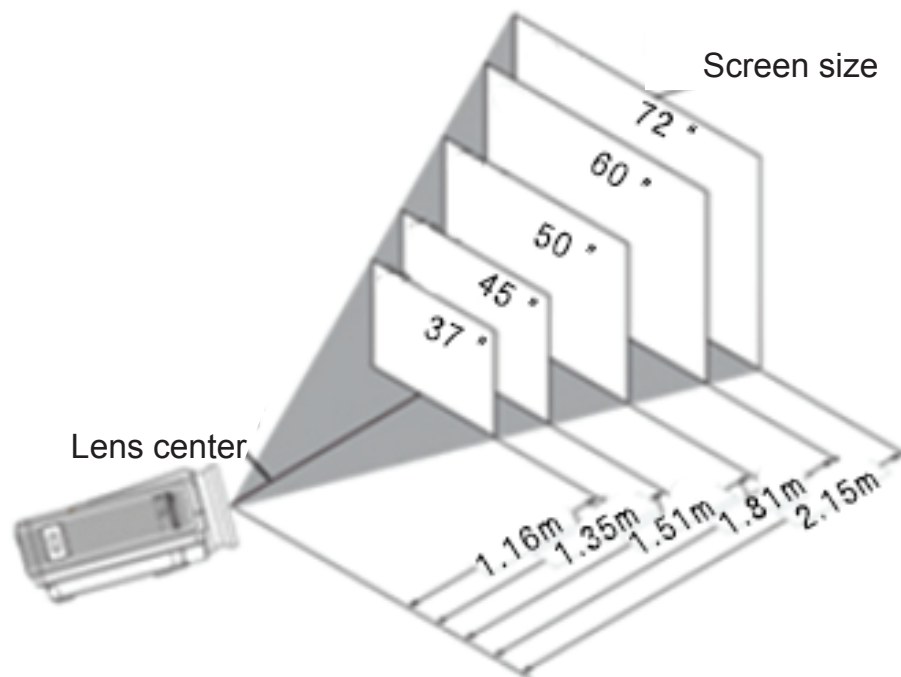
Square Image



Axis of symmetry of the curtain  
The Projector

Recommended use of Ceiling with stent when Installed correctly, the image is positive square.

2. The distance between the projector and screen



Warning:



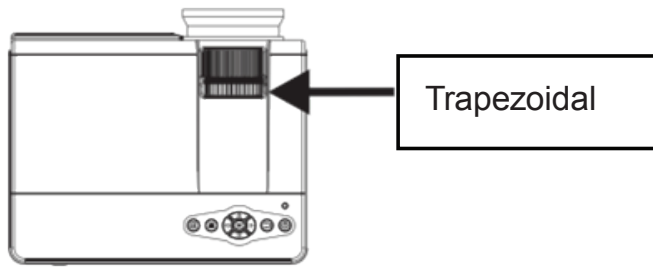
Please do not stare or look directly at the light cause it is of high brightness. Especially children who are vulnerable to injury..

3.Focus adjustment

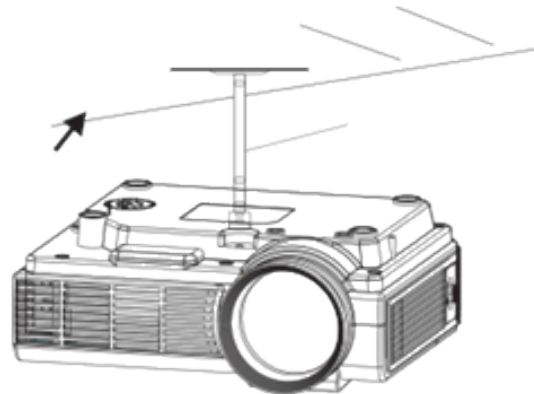
Clockwise rotation of the lens, the lens all back into the machine, and then slowly rotate the lens counterclockwise, and carefully observe the pixels on the screen, the particles in the clearest image when Hou (subject to the center of the image area), also It is the best focus lens position.。

4.Keystone correction

slowly slide Keystone (Fig. 3),until the border of the screen image has become a regular square, adjust the keystone of the maximum amplitude of  $\pm 15$  degrees. If the adjusted limit Keystone gear position does not eliminate keystone, shorten the distance between the projector and screen center in the vertical direction. If placed on the table mounted projector, the bottom plate can be adjusted by rotating the wheel to change the angle of the projection angle of the projector.

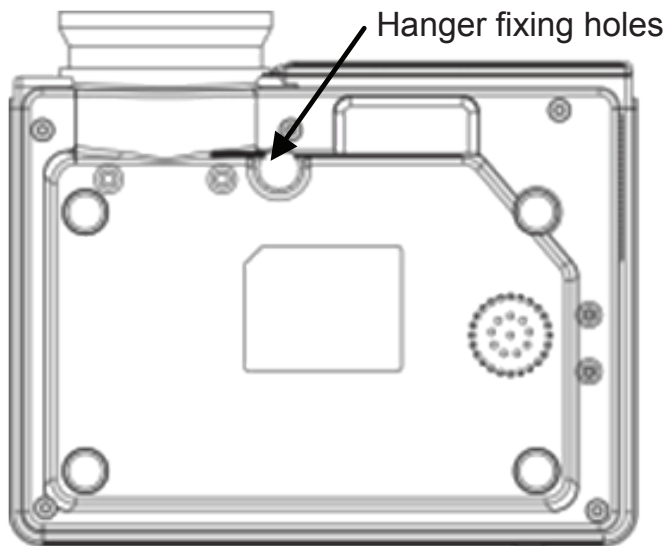


Picture3



Please refer to the following illustration Projector Ceiling

Note: Do not place the projector near a heat source air conditioners and heaters, otherwise the machine may overheat and shut down automatically. When installing the projector, please choose those adequate strength and hanger screws, so as to avoid quality time or screw screwed into enough depth and occurs in the projector falling accident.



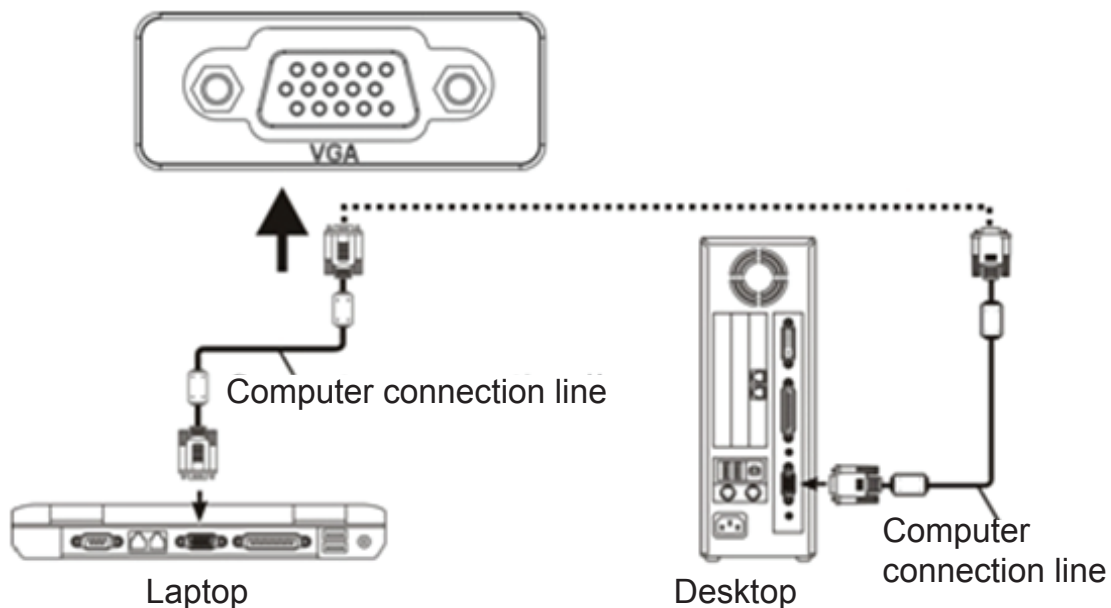
### Three. Signal linesConnection

1. Power input socket: when using, please insert the power adapter of the machine accessories into the DC output terminal, and the other end of the power adapter is inserted into the mains socket.

2. VGA input socket: with this port can be connected to a computer or other output socket with VGA video signal. When the projector is connected to the computer, you can use a VGA cable connection.

After connecting with a VGA cable projector and

computer equipment, connect the power cord or power adapter, turn on the projector, press the "Source" button on the projector panel or remote control, select the "PC (VGA)", press "OK" key to enter the computer model, and then the computer's resolution setting and the physical resolution of the projector consistent with the refresh rate of 60Hz. (Actual use, most current computer systems do not support 800 \* 480 resolution, this function is used to see the document class will not see thefont, but for a computer to play images, pictures class does not greatly affected).



When the laptop connected to the projector, laptop required video switch: Please use the original VGA cable to connect the notebook and the projector, and the projector turned on, press the VGA button on the remote control, or press the unit "Source" button, or the remote control "Source" button, the projector is switched to VGA mode. Back to the notebook side, press the switch key notebook "Fn + Fx", Fx represents different models of notebook video switching keys F1-F10, similar to the small TV icon. Press once the computer display, while the secondary is pressed dual display, press three times the external display (computer not shown). Since each brand of computer function key to switch between different positions located, you control the following according to your laptop's instructions to switch

Toshiba(Fn+F5) IBM(Fn+F7) HP(Fn+F4) Founder(Fn+F3)  
 samsung(Fn+F3) Panasonic(Fn+F3) NEC(Fn+F4) apple(Fn+F8)  
 sharp(Fn+F5) Hitachi(Fn+F7) Dell(Fn+F8) Acer(Fn+F5)  
 Lenovo(Fn+F3) BenQ(Fn+F7) ASUS(Fn+F9)

Win7 / Win8 system: Please use the original VGA cable to connect the projector and notebook, then the projector is turned on, press the machine "Source" button, or "Source" button on the remote control, the projector will switch to VGA mode. Back side of the notebook, desktop, right, screen resolution, connect the projector to display copy it.

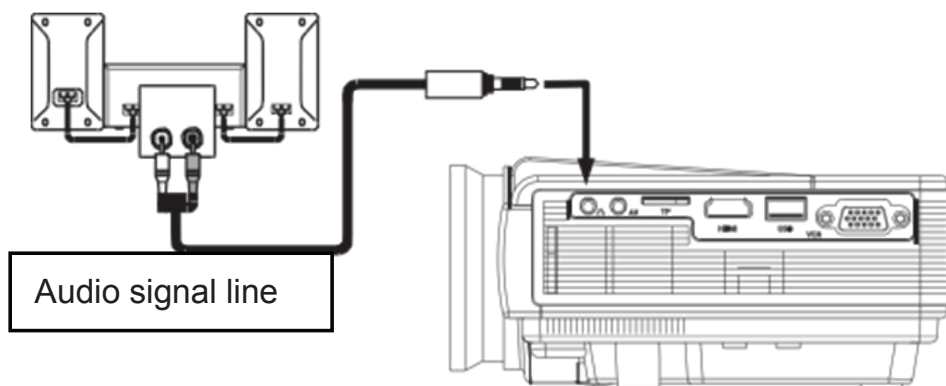
Refer to the following table parameters to adjust the output signal from a computer

Type	Resolution		Horizontal Frequency (KHz)	Field frequency (Hz)	VESA standard
PC	VGA	640×480	31.5	60	✓
			34.7	70	
			37.9	72	✓
			37.5	75	✓
	SVGA	800×600	31.4	50	
			35.1	56	✓
			37.9	60	✓
			46.6	70	
			48.1	72	✓
	XGA	1024×768	46.9	75	✓
			40.3	50	
			48.4	60	✓
56.5			70	✓	
			60.0	75	✓

Note: when there is a computer connected to the projector and the image can not be displayed simultaneously, please set the display properties of the computer, select the output mode for the CRT.

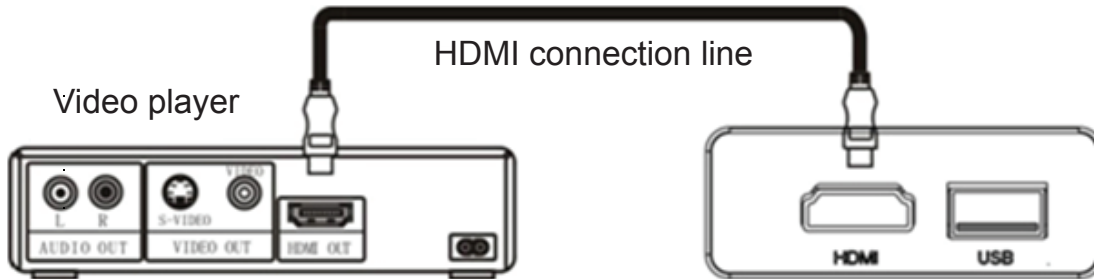
3.Video input socket: This port can be connected to the LD players, DVD players, cameras and other video player video (VIDEO), the audio output socket.

4.Audio output: Audio signal from the output port of the projector, such as high power to play music, please connect to an external power amplifier input.



5.HDMI signal input: This interface can be connected to the output end of a HDMI HD output player. When the projector connects to HD player, HD set-top boxes, video games, hd (HDMI) signal connection can be used. After connecting projectors and high-definition equipment with high-definition cable (HDMI cable), connect the power cord or power adapter, turn on the projector, press the "Source" button on the projector

panel or remote control, select "(HDMI)" press "OK" button to enter the HDMI mode.



#### 6. Connect the U disk

Plug U disk into the "USB" port, or insert the TF card into the TF card slot, press the "Source" button on the projector panel or remote control, select the "multimedia (USB or TF)", press "OK" key to enter multimedia mode, select a video or picture files into the video preview mode, press on the remote control "play / pause" button to full screen.

#### Four. Operation and use of the projector

This chapter tells you how to use the projector, starting from the opening of the projector, and gradually introduce the use of the projector, please carefully read this chapter, a simple operation guide will enable you to quickly master the operation of the projector.

##### 1. Power /Shutdown

According to the projected image size / distance, fixed projectors, and connected signal lines to corresponding projector interface as it requires. According to the positive and negative polarity of the battery box remote controller identifier into the battery. Insert the adapter DC into the DC projector on the rear panel, when power indicator lights, the machine enters the standby mode. Press the "power button" button on the remote controller or panel to turn on the indicator light and enter the normal working condition. After a few seconds, the system will be fully activated, the screen image will appear. Press the "SOURCE" key on the remote control to select the signal channel to be accessed. Newly installed projectors, first time image may appear blurred or keystone state. When the image appears blurred, you can adjust the machine in front of the lens, when the particle image is clearest (subject to the intermediate region), is the best lens focus position. When it comes to keystone distortion, please toggle back and forth slowly ladder regulator on the machine so that the image on the screen was a positive frame quadrilateral so far. If keystone adjustment transferred to the best location, you can not eliminate the ladder frame, please adjust the distance between the projector and screen center in the vertical direction. After adjusting the image is clear, it can be watched. During the watching, you can also set the parameters of the system according to personal preferences, adjust the image's brightness, contrast, color

saturation, audio volume and image clarity and sharpness. Press the "Power" button on the front panel or the remote control again to close the light path and display systems, cooling fan automatically stops, the projector into standby mode again. After shutdown, must wait until the projector fan delay automatic stop, the total power can be cut off, so as to avoid the machine stored in excess heat and affect the normal life of the projector. To improve the quality of the projection screen, please use the appropriate projection screen. When using the projector you should reduce the ambient light, consider appropriate shading measures, try to turn off the lights in the room, at least to ensure the lights do not direct screen. Although the unit can be connected to a plurality of video signals, but in actual use, we recommend that connect one transmission signals to avoid signal interference, affect the playback of the projector.

## 2. Menu operation

### (1) power/off



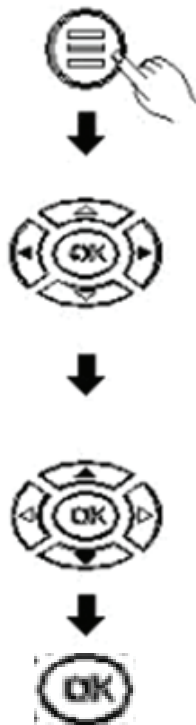
Turn on the machine  
Press the power key on the cover or remote control, the indicator turn color, the machine into normal working condition.

Press again



Turn off the machine  
Press the power key on the cover or remote control again, and the machine will enter the state of dormancy.

### (2) Menu-basic operations



1. Press the Menu button on the remote control or "MENU" on the projector to display the menu screen.
2. Press the "◀" "▶" button on the remote control or the projector to select your need to adjust or set a menu item, then the menu of the selected icon will be highlighted.
3. Press the "▲" "▼" button on the remote control or the projector on the sub-menu to select the menu item you need to adjust.
4. Then press the remote control or "OK" button on the projector, activate the selected icon sub-menu.
5. Press "◀" "▶" button, to adjust your selected menu item parameter values.
6. Repeat the above second to fifth procedure to adjust the other menu items, or simply press the "MENU" or "EXIT" key to exit the menu screen.

### (3) Input Source Select



Press "SOURCE" button to enter the source selection interface

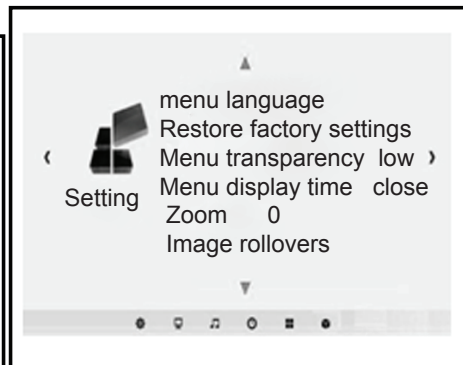
Press "▲""▼" button to select your desired input signal from PC, AV HDMI, SD, USB

Press "◀""▶" button to confirm the type of input signal.

PC: PC signal inputHDMI: HD signal input  
AV: Video signal inputUSB: Multimedia signal input  
SD: Multimedia signal input

### (4) Language selection

Refer to " Menu Basic Operation " section to switch to the right of the menu screen, and select a menu language.  
Press the "OK" button to enterlanguage options screen.Press "▲""▼" select the language you want, and then press the "MENU" button to accept the settings and exit.

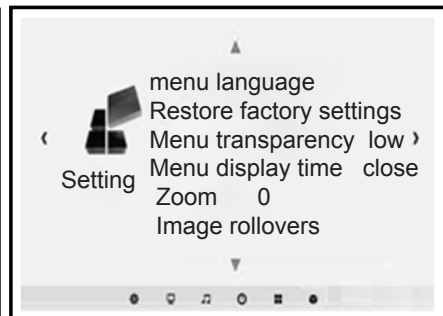


### (5) Image flip

Refer to " Menu Basic Operation " section to switch to the right of the menu screen, and select a menu language.

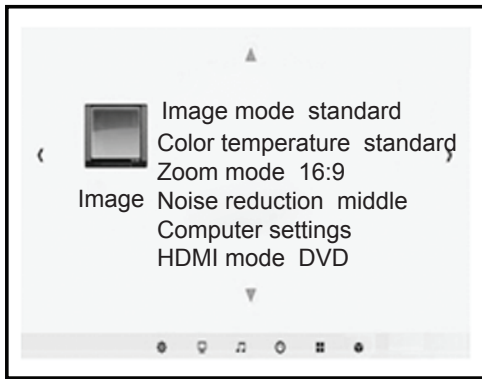
Press "▲""▼" button to select image flip

Repeat press "OK" key to make the screen up, down, left and right flip



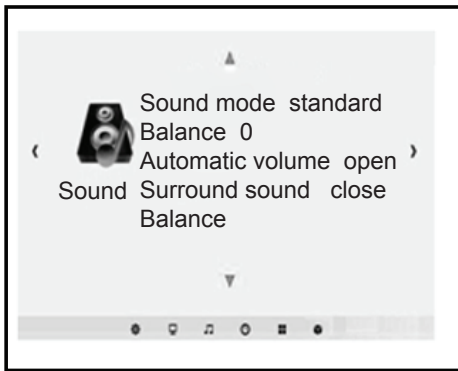
### 3.menu setting

#### picture menu



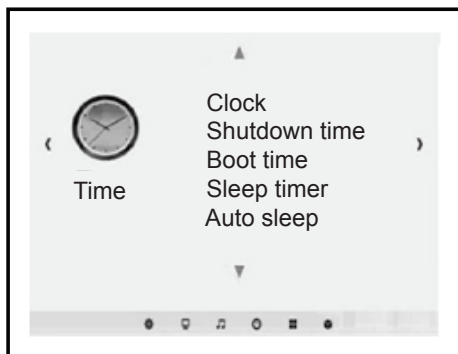
Menu picture		
Picture Mode	standard	Picture display mode adjustment.
Color Temperature		Picture display color temperature adjustment.
Aspect Ratio		Image 4: 3, 16: 9, Zoom adjustments.
Noise Reduction		Picture display NoiseReduction adjustment.
PC Setting		Picture display PC Setting adjustment.

#### Sound menu



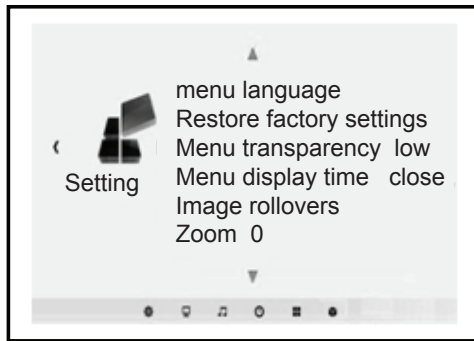
Sound menu		
Sound mode	standard	Sound output mode adjustment
balance		Audio output level adjustment
Auto Volume		Auto volume setting adjustment
Surround Sound		Surround Sound setting adjustment
Fiber mode PCM		Fiber mode PCM setting adjustment.
EQ		Audio equalizer setting adjustment

#### Clock menu



Time menu		
Clock		Set the current clock time
Off Time		Off time setting
On time		On time setting
Sleeptimer		Sleep timer setting
Autosleep		no signal automatic off Setting

## Menu setup



Menu setup		
OSD Language		Adjust the display of menu language
Restore Factory Default		Restore factory settings.
Blending		Blending setting
Osd Duration		OsdDuration setting
image flip		Image flip mode adjustment
zoom		Image zooming adjustment

## Five. Deal with simple faults

The operation of this machine is very easy, and the same as using of an ordinary TV ,generally will not encounter any difficulty, but sometimes the influence of some false failure phenomena appear because of using the peripheral devices or mains, Please refer to the following instructions before repairing the machine, for troubleshooting. After excluding the following possible failure, the projector is still abnormal, please contact the relevant technical staff.

Failure phenomena	the cause of the fault may be
1.After turning the power switch on the side, the light does not shine.	<ul style="list-style-type: none"> <li>◇ Does Power cord plug in?</li> <li>◇ Does the outlet have a normal mains voltage?</li> <li>◇ Does the power on the rear side of the board are open?</li> </ul>
2.After turning on the projector, no image on the screen.	<ul style="list-style-type: none"> <li>◇ Does the Signal path of the projector select correct ?</li> <li>◇ Does the power source device turn on?</li> <li>◇ Does the signal cable plug in?</li> <li>◇ Does the signal cable insert in the wrong position?</li> <li>◇ Under VGA input mode,does the computer display refresh rate set too high?</li> <li>◇ When using a portable computer, does the output of the computer have set to signal external display?</li> </ul>
3.Press the power button of the remote control can not turn up	<ul style="list-style-type: none"> <li>◇ Does the rear panel power of the projector have turn on ?</li> <li>◇ Whether the remote control battery is dead?</li> <li>◇ Are there obstructions between the remote control receiver window and the projector?</li> <li>◇ Does the operating distance of the remote control and the projector too far?</li> </ul>
4.After each boot for a periodof time automatic shutdown	<ul style="list-style-type: none"> <li>◇ Is the air inlet of the projector blocked by other objects?</li> <li>◇ Does this machine overheat protection?</li> </ul>
5.Normal picture, but no sound.	<ul style="list-style-type: none"> <li>◇ Does the volume of the projector turn to minimum?</li> <li>◇ Is there a stereo audio signal output device?</li> <li>◇ Does the volume of the sound equipment turn to minimum ?</li> </ul>

## Six. Safety Instructions

**WARNING:** To avoid the risk of fire or electric shock. Do not place the projector to rain or moisture gas.

**Warning:** This is a Class A product in a domestic environment, this product may cause radio interference. In this case, the user may be required to take adequate measures.

**Warning:** In normal operation, the projector into standby mode, be sure to use the switch button on the projector or remote control. Before disconnecting the AC power cord, make sure the cooling fan has stopped. Do not disconnect the normal operation of the AC power cord to turn off the projector, as this may cause the machine to malfunction.

**About (remote control) Battery Note:** If the battery is installed in reverse polarity (positive and negative reversed position), then the battery will overheat and become damaged. To warn children not to remove the battery or load. By an adult will be charged to the battery in the remote control.

**Warning**

※ Please use the power button on the remote control or on the cover , do not unplugged immediately after the main power off, that the machine automatically cooling, otherwise it will affect the life of the projector.

For safety, in addition to professional maintenance staff, no person shall own overhaul projector.

In order to use the projector correctly, please read the following tips: Please use the power of the projector labeled type, it is dangerous to use other types of power supply.

Please use the supplied adapter to match the power supply, if you need to change, please contact your dealer for replacement.

Please use the machine to match the AC power supply, voltage fluctuation should be less than 10%。

Be sure to connect the power supply to the distribution system that meets the requirements of the state.

To ensure the stability and security of the power supply unit, it is recommended to use a separate power lines with protective measures electrical outlet is not allowed in a line connected to a variety of high-power electrical products, such as refrigerators, air conditioning, electrical and so on.

Do not place this projector to rain or moisture to avoid electrical shock hazard, the unit should be placed in ventilated dry, dust-free place to avoid vibration, heat, radiation and frequent movement.

If the projector is not used in a long time, please pull out the power cable from the mains socket.

Projector side and the rear plate was slit projector vents ,protect the normal use of the projector, to prevent overheating. Prior to use should check the ventilation parts, to ensure its smooth, in the vicinity of the projector, do not place flammable objects.Do not insert anything into the slit of the projector, or it may produce a short circuit or an electric shock to your device and cause damage.

Do not rotate the projector lens too much, so as not to fall off.

When the projector is working, do not straight to the projector lens, so as not to hurt your eyes.

When installing the projector, you should choose those adequate strength and hanger screws, so as to avoid screw quality or rotating depth is not enough and projector falling accident.

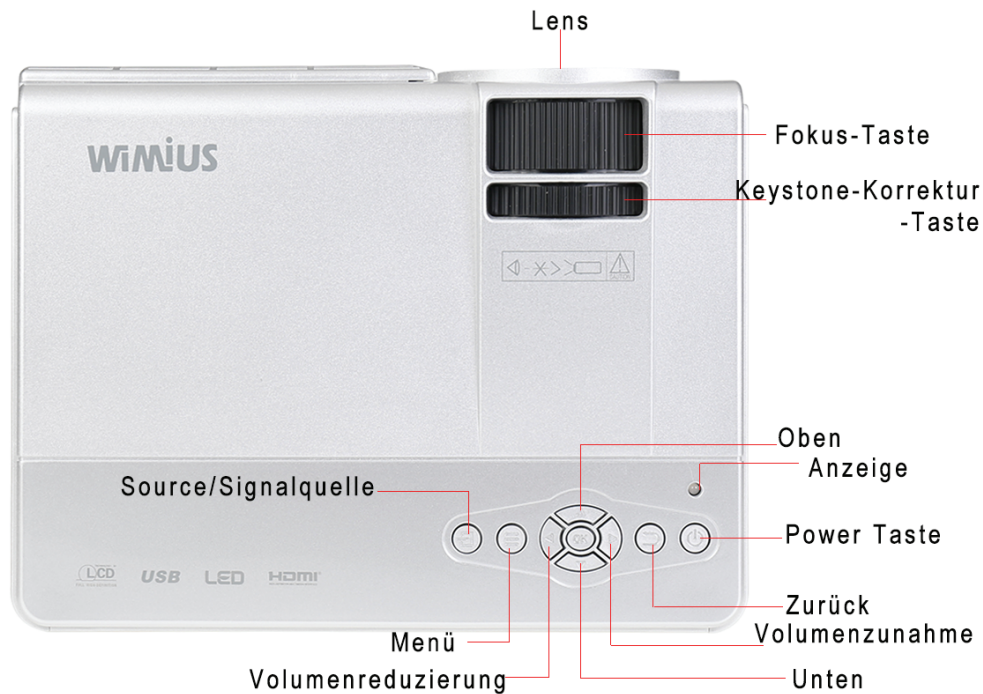
# WIMIUS

## T3 Mini LED Projector

User Manual



# Deutsche Anleitung für T3



**Power-Taste:** Drücken Sie, um den Projektor zu einschalten oder ausschalten, und genauso wie die Power-Taste auf der Fernbedienung schließen.

**Volume Plus, Minus-Taste:** Drücken Sie diese beiden Tasten, um die Lautstärke zu erhöhen oder zu verringern, sondern auch für die links und rechts von jedem Menü unter dem Projektor-Menü und bewegen Sie die Auswahl Parametereinstellung.

**Menütaste:** geben Sie das Hauptmenü ein oder das System verlassen.

**Wählen Sie die oben und unten-Tasten:** Drücken Sie diese beiden Tasten bewegt werden kann, nach oben und unten den nächsten Menüpunkt jedes Menü auszuwählen.

**Signalquelle tasten:** Wählen Sie Broadcast-TV-Signal oder ein externes Videosignal.

**Lens:** dieses Objektiv drehen, können Sie den Fokus-Zustand jedes Pixel im Bild anpassen, um die Klarheit des Bildes zu verändern.

**Eingang und Ausgang:** Einlass und Auslass der luftgekühlten Motor-Kühlsystem, die Verwendung des Verfahrens, ist es nie blockiert oder verstopft ist, so dass die Maschine nicht zu verbrennen.



- (1) Audio-Ausgang Kopfhöreranschluss Sitz, schließen Sie ein externes Audiosignal Verstärkungseinrichtung oder Kopfhörer.
- (2) AV (Video) Eingangsport.
- (3) TF-Kartenhafen , legen Sie die TF-Karte ein, dann kann Audio, Video- und Bilddateien von TF-Karte wiedergeben.
- (4) HDMI-Anschluss HD-Videosignal , der Computer-Anschluss, HDMI-Ausgangssignalanschluss der DVD.
- (5) USB-Anschluss, legen Sie die USB-Stick ein, dann kann Audio , Video- und Bilddateien von USB-Stick wiedergeben.
- (6) VGA (PC, PC) Signaleingang



# Installationsprojektor

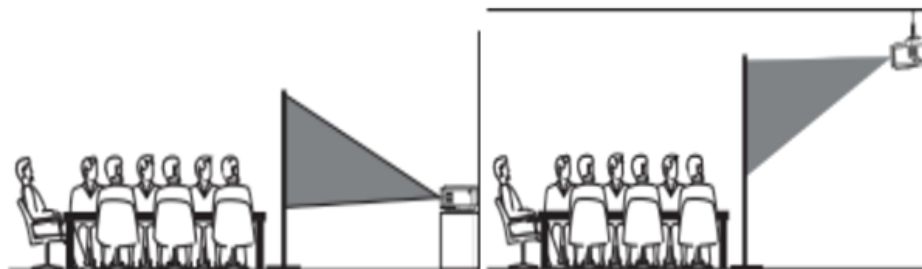
## Installationsmethode

Stellen Sie den Projektor auf eine feste, stabile Oberfläche oder Aufhänger, umgebende Belüftung, nicht blockieren Sie die Lüftungsschlitze oder Obdach und keine Zuflucht Entlüftungen Objekte innerhalb 10CM. Damit der Projektor und der Bildschirm einen entsprechenden Abstand zwischen Projektor und Leinwand bestimmt die Größe des projizierten Bildes zu erhalten. Schließen Sie das Netzkabel des Projektors an eine Steckdose und dem Projektor, und das andere Ende ist mit dem AC Masse verbunden. Je nach Bedarf können Sie den Projektor auf einer stabilen Arbeitsplatte nach vorn auf den Bildschirm projiziert platzieren, können Sie auch spezielle Aufhänger verwenden können, werden auf dem Dach Spiel befestigt werden, kann auch hinter einem Bildschirm verwendet werden, und gegossen von hinter dem Bildschirmbild.



VORDERSEIT

DECKNMONT

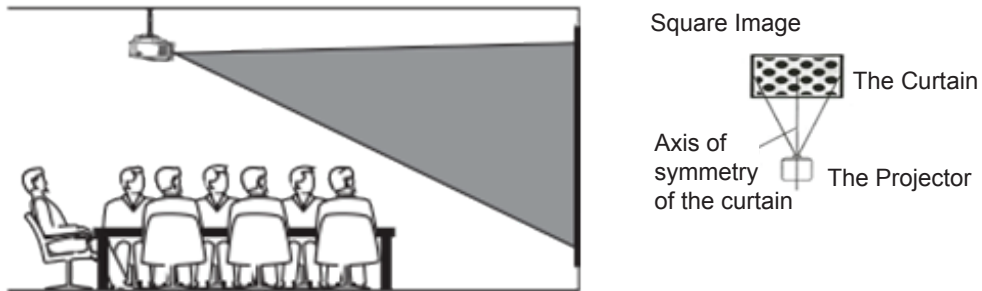


Hinter

Installieren hintere Aufhängung

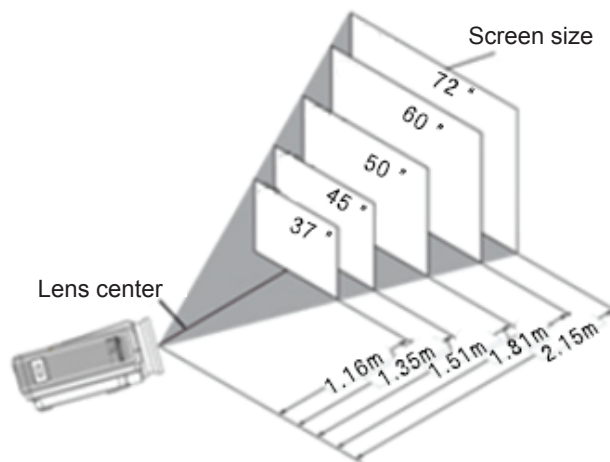
Installation Hinweis: Wenn nach vorne anheben, der Körper nicht höher sein kann als der Vorsprung am Rand des Bildschirms, sonst wird es den Effekt der Einstellung des Bildes beeinflussen oder trapez Bitte beachten Sie "Der Abstand zwischen dem Projektor und dem Bildschirm", um die Größe des Abstandes zwischen dem Bildschirm und dem Projektor, um zu bestimmen

Stellen Sie den Projektor-Bildschirm ist auf der Symmetrieachse über die Installation, um das Bild nach links und rechts Trapezverzerrung zu vermeiden. Während der Installation Leben nicht Betrieb, um die Gefahr eines elektrischen Schlags zu vermeiden, oder die Maschine zu brennen. Nur verpackt Projektoren kann das erste Boot-Image angezeigt wurde später eine Trapez auf der unteren Verzerrung und Unschärfe, finden Sie in der "Keystone-Korrektur und Bildschärfereinstellung" Abschnitt eingestellt



mpfohlene Verwendung von Stents Decken  
 Bild positiv Quadrat  
 Der Abstand zwischen Projektor und Leinwand

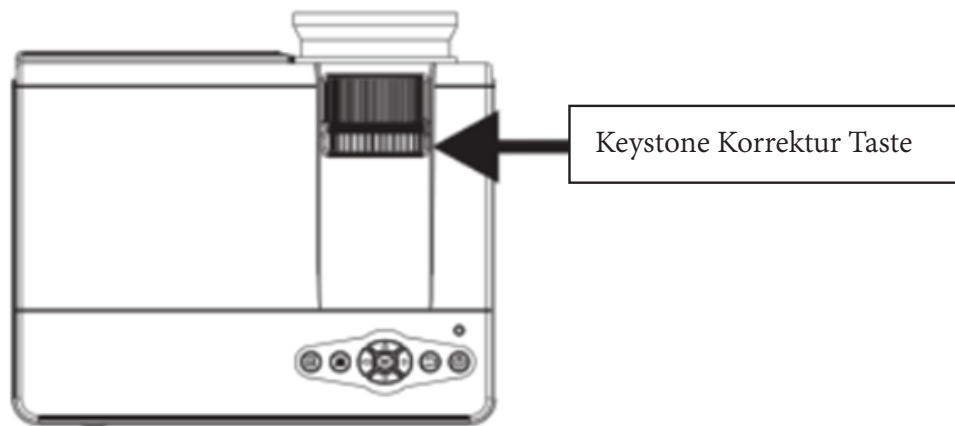
Bei korrekter Montage ist das



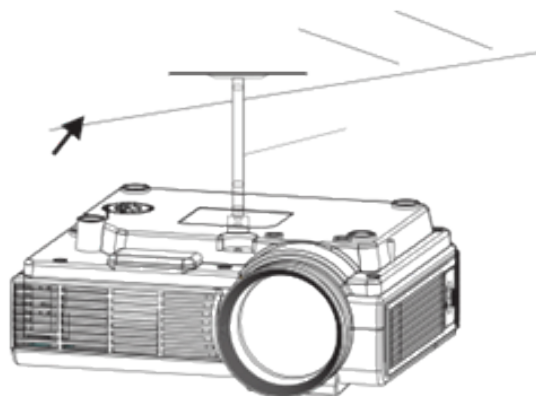
## Fokuseinstellung

Eine Drehung im Uhrzeigersinn der Linse, die Linse alle wieder in die Maschine, und dann langsam drehen Sie das Objektiv gegen den Uhrzeigersinn und sorgfältig die Pixel auf dem Bildschirm, die Partikel in der klarste Bild, wenn Hou (vorbehaltlich der Mitte des Bildbereichs) zu beobachten, auch ist es die beste Fokussierenposition.

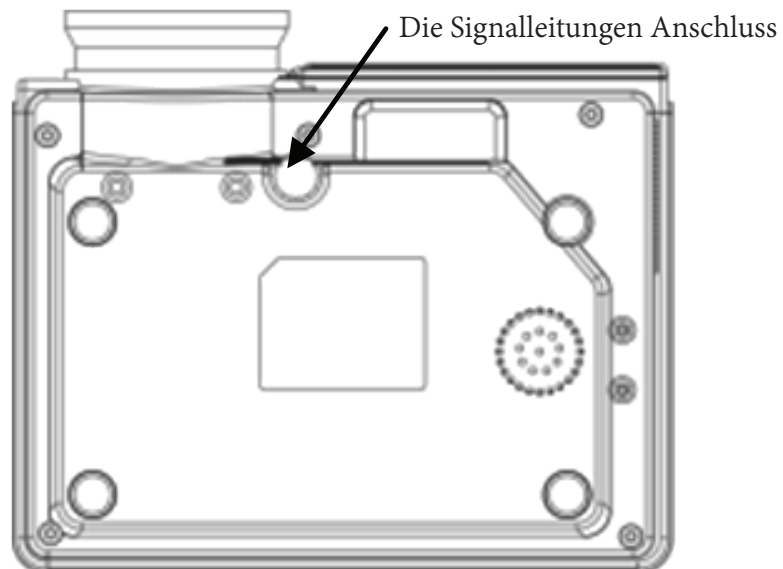
langsam Keystone schieben, bis die Grenze des Bildschirmbildes ein reguläres Quadrat, stellen Sie die Trapez der maximalen Amplitude von  $\pm 15$  Grad geworden ist. Wird der eingestellte Grenzwert Keystone Gangposition Trapez nicht beseitigen, verkürzen den Abstand zwischen Projektor und Leinwand-Center in der vertikalen Richtung. Wenn auf dem Tisch montierten Projektor platziert, kann die Bodenplatte durch Drehen des Rades eingestellt werden, um den Winkel des Projektionswinkel des Projektors zu ändern.



Bitte beachten Sie die folgende Abbildung Projektor Decken

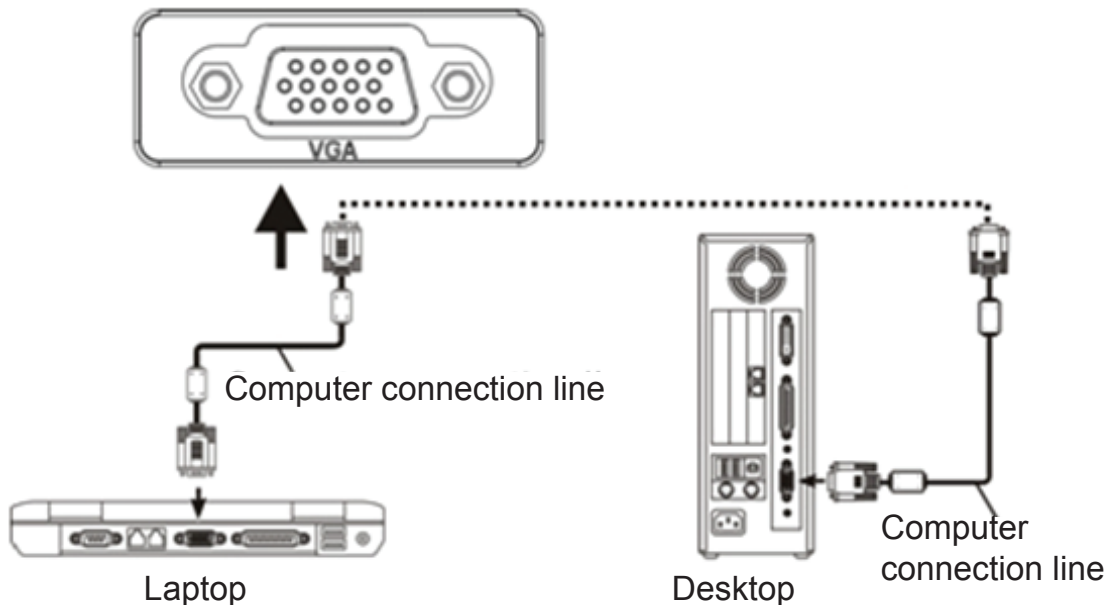


Hinweis: Stellen Sie den Projektor nicht in der Nähe einer Wärmequelle Klimaanlage und Heizungen, da sonst das System überhitzen und schaltet sich automatisch aus. Bei der Installation des Projektors bitte diese eine ausreichende Festigkeit und Aufhänger Schrauben wählen, um Qualitätszeit zu vermeiden oder Schraube in ausreichende Tiefe eingeschraubt und tritt in den Projektor fallen Unfall.



1, Netzbuchse : Bei Verwendung bitte das Netzteil der Maschinenzubehör in den DC-Ausgangsklemme einlegen, und das andere Ende des Netzteils in die Steckdose eingesteckt.

2, VGA-Eingangsbuchse : mit dieser Port kann mit einem Computer oder einem anderen Ausgangsbuchse mit VGA-Videosignal angeschlossen werden.  
Wenn der Projektor mit dem Computer verbunden ist, können Sie ein VGA-Kabel-Verbindung verwenden. Nach dem Anschluss mit einem VGA-Kabel Projektor und Computerausrüstung , schließen Sie das Netzkabel oder das Netzteil , schalten Sie den Projektor, drücken Sie die Taste "Source" am Bedienfeld des Projektors oder an der Fernbedienung, wählen Sie den "PC (VGA)", drücken Sie "OK "Taste, um das Computer-Modell eingeben, und dann die Auflösung des Computers und die physikalische Auflösung des Projektors in Übereinstimmung mit der Bildwiederholffrequenz von 60 Hz. (Die tatsächliche Nutzung, die meisten aktuellen Computersystemen nicht unterstützt 800 \* 480 Auflösung, wird diese Funktion verwendet, die Dokumentenklasse zu sehen, die Schrift nicht sehen, aber für ein Computerbilder zu spielen, Bilder Klasse betroffen nicht stark).



Wenn der Laptop an den Projektor angeschlossen, benötigt Laptop-Video-Switch: Bitte geben Sie die Original-VGA-Kabel verwenden, das Notebook und den Projektor, und der Projektor eingeschaltet ist, drücken Sie die VGA-Taste auf der Fernbedienung, oder drücken Sie die Einheit "Quelle", um eine Verbindung oder der Fernbedienung Taste "Source", wird der Projektor den VGA-Modus umgeschaltet . Zurück zur Notebook-Seite, drücken Sie die Schalttaste Notebook "Fn + Fx", stellt Fx verschiedene Modelle der Notebook-Videotasten F1-F10, ähnlich dem kleinen TV-Symbol wechseln. Drücken Sie einmal auf dem Computer-Display, während die sekundäre Dual-Display, drücken Sie dreimal die externe Anzeige (Computer nicht dargestellt) gedrückt wird. Da jede Marke von Schlüsselcomputerfunktion zwischen unterschiedlichen Positionen angeordnet zu schalten, steuern Sie die folgenden gemäß den Anweisungen Ihres Laptops zu wechseln.

Toshiba(Fn+F5) IBM(Fn+F7) HP(Fn+F4) Founder(Fn+F3)  
 samsung(Fn+F3) Panasonic (Fn+F3) NEC(Fn+F4) apple(Fn+F8)  
 sharp(Fn+F5) Hitachi(Fn+F7) Dell(Fn+F8) Acer(Fn+F5)  
 Lenovo(Fn+F3) BenQ(Fn+F7) ASUS(Fn+F9)

Win7 / Win8 System: Bitte benutzen Sie das Original-VGA Kabel, um den Projektor und Notebook anschließen, dann wird der Projektor eingeschaltet ist, drücken Sie die Maschine Taste "Source" oder "Source" -Taste auf der Fernbedienung, der Projektor den VGA-Modus wechseln . Die Rückseite des Notebooks, Desktop mit der rechten, Bildschirmauflösung , schließen Sie den Projektor zu kopieren, um sie anzuzeigen.

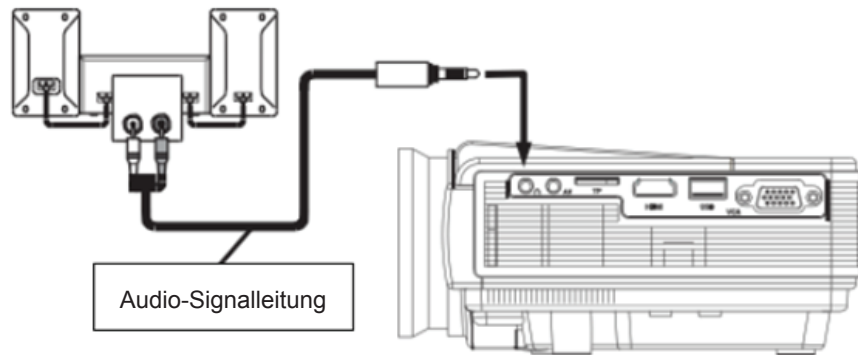
Refer to the follwering table parameters to adjust the output signal from a computer

Type	Resolution		Horizontal Frequency (KHz)	Field frequency (Hz)	VESA standard
PC	VGA	640×480	31.5	60	√
			34.7	70	
			37.9	72	√
			37.5	75	√
	SVGA	800×600	31.4	50	
			35.1	56	√
			37.9	60	√
			46.6	70	
			48.1	72	√
			46.9	75	√
	XGA	1024×768	40.3	50	
			48.4	60	√
			56.5	70	√
			60.0	75	√

Hinweis: wenn es einen Computer an den Projektor und das Bild verbunden ist, kann nicht gleichzeitig angezeigt werden, bitte die Anzeigeeigenschaften des Computers festgelegt , wählen Sie den Ausgabemodus für die CRT.

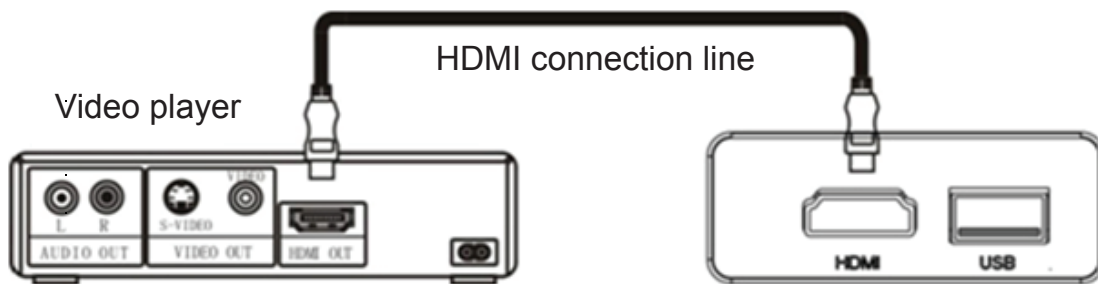
3. Video-Eingangsbuchse : Dieser Port kann an LD Player, DVD-Player, Kameras und andere Video-Player usw. doe Video (VIDEO), die Audio-Ausgangsbuchse ist, verbinden.

4. Audioausgang : Das Audiosignal vom Ausgang des Projektors, wie hohe Leistung, Musik zu spielen, schließen Sie bitte an einen externen Leistungsverstärker -Eingang.



5. HDMI-Signaleingang : Diese Schnittstelle kann mit dem Ausgangsende eines HDMI HD-Ausgang-Player angeschlossen werden.

Wenn der Projektor an HD-Player, HD-Set-Top-Boxen, Videospiele , HD (HDMI) Signalverbindung verwendet werden kann, zu verbinden. Nach Projektoren und High-Definition-Geräte mit High-Definition-Kabel (HDMI-Kabel) anschließen möchten, schließen Sie das Netzkabel oder das Netzteil , schalten Sie den Projektor, drücken Sie die Taste "Source" am Bedienfeld des Projektors oder an der Fernbedienung, wählen Sie "(HDMI) "drücken Sie" OK ", um den HDMI-Modus aufzurufen.



6. Schließen Sie die USB-Disk

Plug-U-Disk in die "USB" Port, oder legen Sie die TF-Karte in den TF-Karten-Slot, drücken Sie die Taste "Source" am Bedienfeld des Projektors oder an der Fernbedienung, wählen Sie die "Multimedia (USB oder TF)", drücken Sie "OK" Schlüssel Multimedia-Modus zu wechseln, eine Video- oder Bilddateien in den Video-Vorschau-Modus, drücken Sie auf der Fernbedienung "Wiedergabe / Pause" Taste auf Vollbild auswählen.

Betrieb und Verwendung des Projektors

1. Power/ Schalter

Nach Größe des projizierten Bildes / Abstand, feste Projektoren und verbunden Signalleitungen zu den entsprechenden Projektor-Schnittstelle, wie es erforderlich ist.

Entsprechend der positiven und negativen Polarität des Batteriekastens Fernbedienung Identifikator in die Batterie. Setzen Sie den Adapter DC in den DC-Projektor auf der Rückseite, wenn die Netzkontrollleuchte , die Maschine in den Standby-Modus wechselt. Drücken Sie die "Power-Taste" Taste auf der Fernbedienung oder Panel auf der Anzeigeleuchte einzuschalten und den normalen Betriebszustand ein.

Nach einigen Sekunden wird das System vollständig aktiviert werden, wird das Projektionsbild erscheint. Drücken Sie die "SOURCE" -Taste auf der Fernbedienung, um die Signalkanal zu wählen zugegriffen werden soll. Neu installierte Projektoren, kann erstmals Bild unscharf oder eine Trapez Zustand erscheinen. Wenn das Bild unscharf erscheint, können Sie das Gerät vor der Linse einzustellen, wenn die P artikel Bild klarste (vorbehaltlich der Zwischenbereich ), so ist das beste Objektiv Fokusposition .

Wenn es der Trapezverzeichnung kommt, bitte wechseln hin und her langsam Regler auf der Maschine Leiter, so dass das Bild auf dem Bildschirm einen positiven Rahmen Viereck so weit war. Wenn Trapez zu den besten Standort übertragen Anpassung, können Sie die Leiterrahmen nicht beseitigen, benutzen Sie bitte den Abstand zwischen Projektor und Leinwand Mitte in vertikaler Richtung einzustellen.

Nach dem Einstellen des Bildes klar ist, kann es die Beobachtung werden watched.During, können Sie auch die Parameter der systemaccording persönlichen Vorlieben einstellen, stellen Sie die Bildhelligkeit, Kontrast, Farbsättigung , Lautstärke und Bildklarheit und Schärfe.

Drücken Sie die Taste "Power" auf der Frontplatte oder der Fernbedienung erneut die Lichtweg und Anzeigesysteme zu schließen, Lüfter automatisch stoppt, um den Projektor in den Standby-Modus wieder.

Nach dem Abschalten muss, bis der Projektor Fan Verzögerung automatischer Stopp warten, kann die Gesamtleistung abgeschnitten werden, um die Maschine in überschüssige Wärme und wirken sich auf die normale Lebensdauer des Projektors gespeichert zu vermeiden.

Um die Qualität des Projektionsschirms zu verbessern, verwenden Sie bitte den entsprechenden Vorsprung screen.When den Projektor mit shoud Sie das Umgebungslicht zu verringern, entsprechende Beschattungs Maßnahmen ins Auge fassen, versuchen Sie, die Lichter im Raum auszuschalten, zumindest sicherzustellen, dass die Lichter nicht Direkt Bildschirm.

Obwohl das Gerät kann auf eine Vielzahl von Videosignalen verbunden werden, aber in der tatsächlichen Verwendung, wird empfohlen, eine Sendesignale verbinden Signalstörungen zu vermeiden, wirken sich auf die Wiedergabe des Projektors.

## Menübedienung

### 1, Ein/ausschalten



Schalten Sie das Gerät ein:Drücken Sie die Power-Taste auf der Beamer oder der Fernbedienung.



Schalten Sie das Gerät aus: Drücken Sie nochmal die die Power-Taste auf der Beamer oder der Fernbedienung.

## Menü-Grundoperationen



1 Drücken Sie die Menü-Taste auf der Fernbedienung oder "MENU" auf dem Projektor um das Menü-Bildschirm anzuzeigen.  
2 Drücken Sie die "◀" "▶" -Taste auf der Fernbedienung oder am Projektor Ihren Bedarf zu wählen einzustellen oder einen Menüpunkt gesetzt, dann wird das Menü des ausgewählten Symbols wird markiert.  
3 Drücken Sie die "▲" "▼" -Taste auf der Fernbedienung oder am Projektor im Untermenü den Menüpunkt auszuwählen, die Sie anpassen müssen.  
4 Drücken Sie dann die Fernbedienung oder "OK" Taste am Projektor, aktivieren Sie das gewählte Symbol Untermenü.  
5, Drücken Sie "◀" "▶" klicken, Ihre ausgewählten Menüpunkt Parameterwerte einzustellen.  
6 Wiederholen Sie den obigen zweiten bis fünften Verfahren, um die anderen Menüpunkte einzustellen, oder drücken Sie einfach die "MENÜ" oder "ZURÜCK" Taste, um den Menübildschirm zu verlassen.

## Eingangsquelle



Drücken Sie auf "SOURCE", um die Auswahl der Quelle-Schnittstelle eingeben  
Drücken Sie "▲" "▼", um die gewünschte Eingangssignal von PC zu wählen, AV HDMI, SD, USB  
Drücken Sie "◀" "▶", um die Art des Eingangssignals zu bestätigen.  
PC: PC-Signaleingang  
HDMI: HD-Signaleingang  
AV: Videosignaleingang USB: Multimedia-Signaleingang

## Sprachauswahl

Siehe "Menü Grundbedienung" Abschnitt rechts des Menübildschirms zu wechseln, und wählen Sie eine Menüsprache .

Drücken Sie die Taste "OK", um Sprachoptionen Bildschirm eingeben.

Drücken Sie "▲""▼" oder , wählen Sie die gewünschte Sprache, und drücken Sie dann die Taste "MENU" um die Einstellungen zu übernehmen und beenden

## Bilddrehung

Siehe "Menü Grundbedienung" Abschnitt rechts des Menübildschirms zu wechseln, und wählen Sie eine Menüsprache .

Drücken Sie "▲""▼" Taste Bilddrehung zu wählen

Wiederholen Sie die Taste "OK" Taste, um den Bildschirm nach oben, unten, links und rechts Flip zu machen

## Störungssuche

Failure Phänomene	die Ursache des Fehlers
1. Nach dem auf der Seite des Netzschalters , das Licht nicht leuchten	<ul style="list-style-type: none"><li>◇ Hat Netzkabel anschließen?</li><li>◇ Hat der Ausgang eine normale Netzspannung ?</li><li>◇ Ist die Macht auf der Rückseite der Platte sind offen?</li></ul>
2.Nach dem Einschalten des Projektors, kein Bild auf dem Bildschirm.	<ul style="list-style-type: none"><li>◇ Hat der Signalweg des Projektors richtig auswählen ?</li><li>◇ Ist die Stromquelle Gerät einschalten?</li><li>◇ Ist das Signalkabel -Stecker in?</li><li>◇ Ist das Signalkabel in der falschen Position einfügen?</li><li>◇ Unter VGA-Eingangsmodus , wird der Computer Bildwiederholfrequenz zu hoch eingestellt?</li><li>◇ Wenn einen tragbaren Computer verwenden, hat der Ausgang des Computers festgelegt externe Anzeige zu signalisieren?</li></ul>
3.Drücken Sie die Power-Taste auf der Fernbedienung kann nicht wieder auftauchen	<ul style="list-style-type: none"><li>◇ Ist die Rückseite Stromversorgung des Projektors haben einschalten?</li><li>◇ Prüfen Sie bitte,ob die Batterie der Fernbedienung leer ist ?</li><li>◇ Sind es Hindernisse zwischen dem Fernbedienungsempfänger Fenster und dem Projektor?</li><li>◇ Ist die Reichweite der Fernbedienung und dem Projektor zu weit?</li></ul>
4. Nach jedem Neustart für einen bestimmten Zeitraum automatische Abschaltung	<ul style="list-style-type: none"><li>◇ Ist der Luftenlass des Projektors durch andere Objekte blockiert?</li><li>◇ Hat diese Maschine überhitzen?</li></ul>
5.Normales Bild aber kein Ton	<ul style="list-style-type: none"><li>◇ Gibt es ein Stereo-Audiosignal-Ausgabegerät?</li><li>◇ Ist die Lautstärke der Tonanlage wiederum auf ein Minimum?</li></ul>

# WIMIUS

## T3 Mini LED Projector

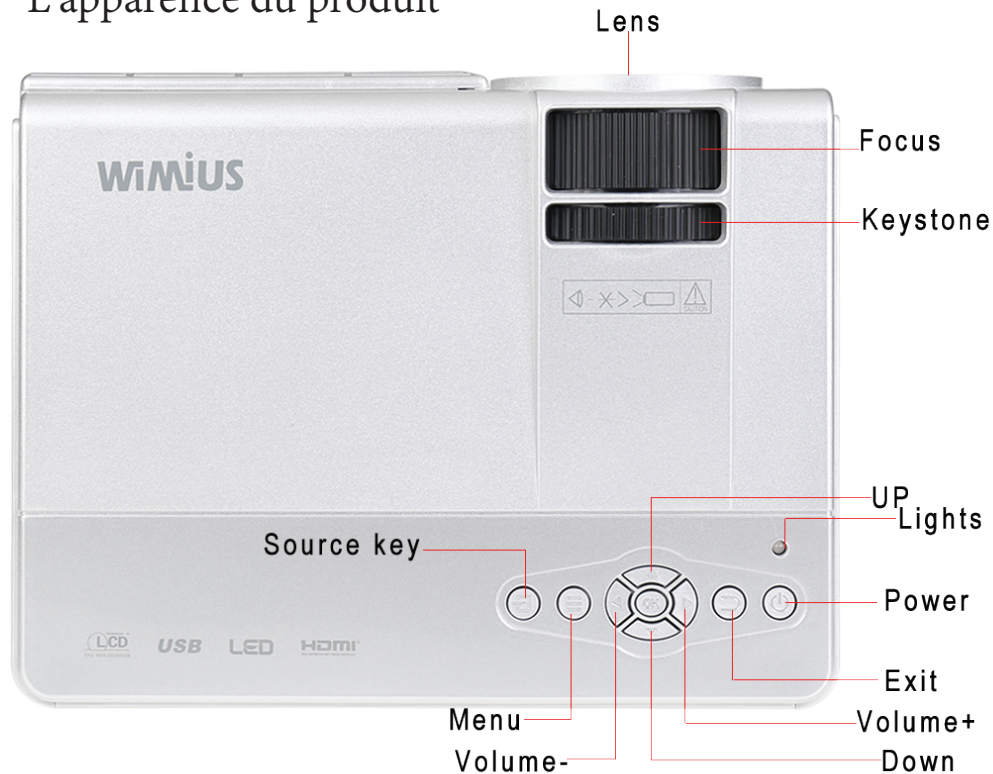
User Manual



# Projecteur Mini LED

## Mode d'emploi T3

### L'apparence du produit



**Bouton Power:** Appuyez sur pour ouvrir ou fermer le projecteur, et que même que le bouton d'alimentation de la télécommande.

**Bouton volume plus/moins:** appuyez sur ces deux boutons peuvent augmenter ou diminuer le volume, mais aussi pour la gauche et à droite de chaque menu dans le menu projet et déplacer le réglage des paramètres de sélection.

**Touche Menu:** pour appeler le menu principal ou quitter le système.

**Les touches haut et bas:** appuyez sur ces deux boutons peuvent être déplacés vers le haut et vers le bas pour sélectionner l'élément de menu suivant de chaque menu.

**Touches de sélection de source:** signal de télévision de sélection de diffusion ou d'un signal vidéo externe.

**Objectif:** Mettre cet objectif, vous pouvez régler l'état de mise au point de chaque pixel de l'image, en changeant la clarté de l'image.

**Entrée et sortie:** entrée et la sortie du système de refroidissement du moteur refroidi à l'air, l'utilisation du processus, il est jamais bloquées ou obstruées, afin de ne pas brûler la machine.



1. Port audio du siège de sortie casque pour connecter un périphérique externe d'amplification de signal audio ou un casque.
2. AV (vidéo) port d'entrée.
3. Port carte TF, insérez la carte TF carte de TF peut lire des fichiers audio, vidéo et image.
4. HDMI haute définition port de signal vidéo connecté à l'ordinateur, HDMI borne de sortie de signal du DVD.
5. Port USB, insérez le disque U disque U peut lire des fichiers audio, vidéo et image.
6. VGA (PC, PC), le port d'entrée de signal

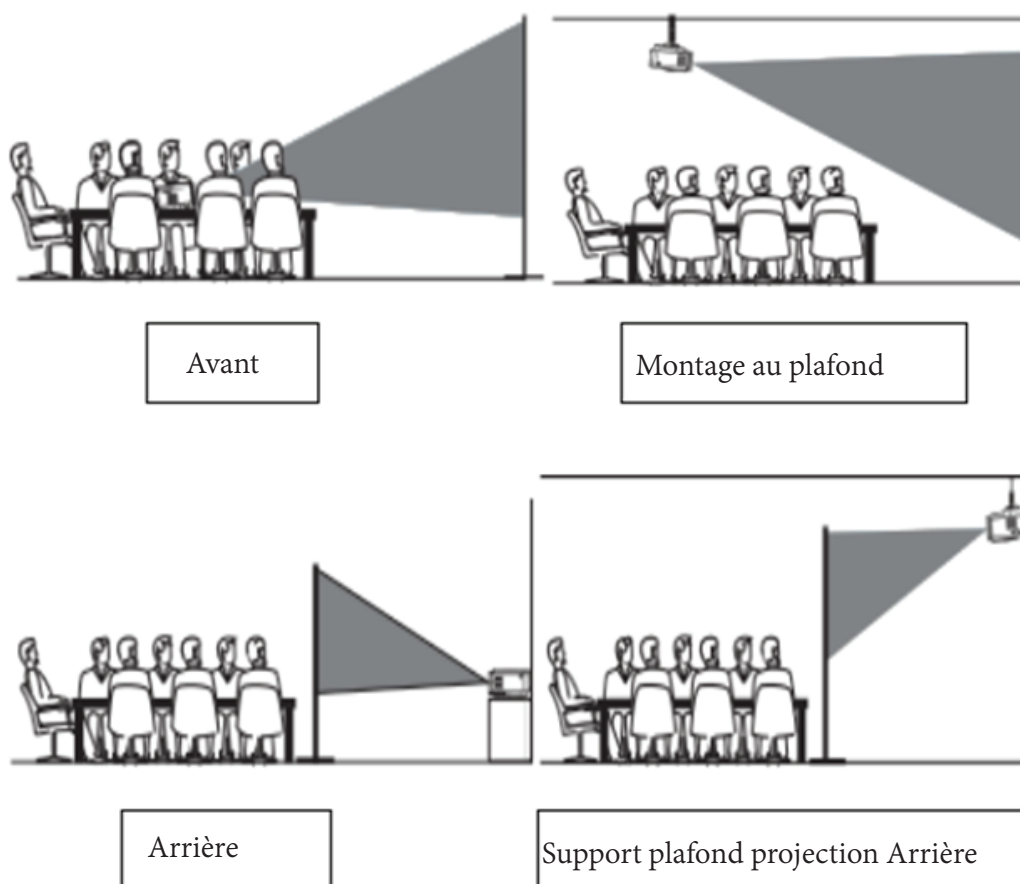
## Noms des clés Télécommande



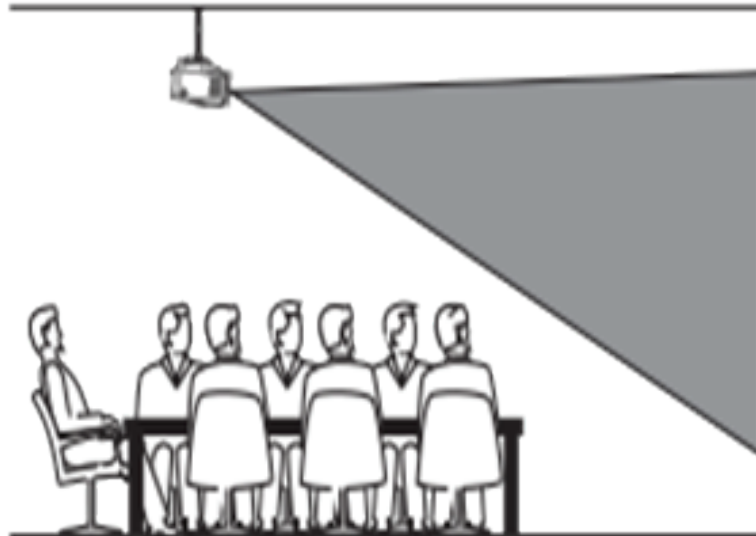
# Projecteur d'installation

## Méthode d'installation

Placez le projecteur sur une surface ou suspension solide et stable, ventilation environnante, ne pas obstruer les orifices de ventilation ou un abri, et aucun objet évènements de logement au sein de 10CM. De sorte que le projecteur et l'écran afin de maintenir une distance appropriée entre le projecteur et l'écran détermine la taille de l'image projetée. Branchez le cordon d'alimentation du projecteur à une prise de courant et le projecteur, et l'autre extrémité est reliée à la terre AC. Selon vos besoins, vous pouvez placer le projecteur sur un comptoir stable avant projetée sur l'écran, vous pouvez également utiliser des cintres spéciaux seront fixés sur le jeu de toit, peut également être utilisé derrière un écran, et de fonte de derrière l'écran image.

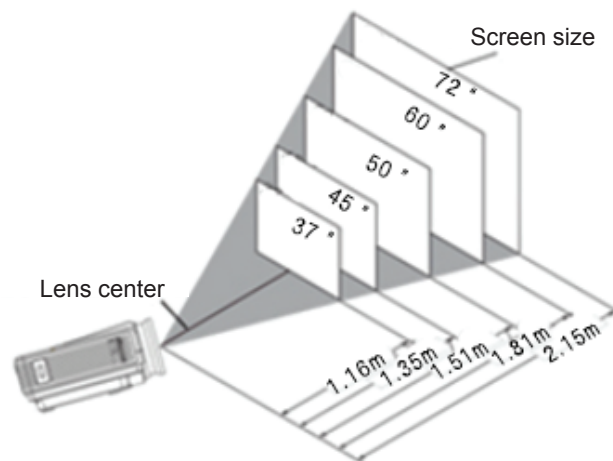


Installation Note: La levée de l'avant, le corps ne peut pas être supérieure à la projection sur le bord de l'écran, sinon il aura une incidence sur l'effet de réglage de l'image ou trapézoïdale. S'il vous plaît se référer à "La distance entre le projecteur et l'écran" section pour déterminer la taille de la distance entre l'écran et le projecteur. Placez l'écran du projecteur est sur l'axe de symétrie de l'installation, afin d'éviter l'image de gauche et de la distorsion trapézoïdale droite. Lors de l'installation, ne vivent pas l'opération, afin d'éviter tout risque de choc électrique ou de brûlure de la machine. Juste emballé projecteur, lorsque vous démarrez d'abord l'image peut apparaître sur le fond était une distorsion trapézoïdale et flou, voir la "correction du trapèze et le réglage de mise au point" les chapitres suivants pour ajuster.



Utilisation recommandée de stents plafond

## La distance entre le projecteur et l'écran



### Focus adjustment

Rotation à droite de la lentille, la lentille tout dans la machine, puis tourner lentement la lentille dans le sens antihoraire, et soigneusement observer les pixels sur l'écran, les particules dans l'image la plus claire quand Hou (sous réserve du centre de la zone d'image), Il est également la meilleure position de la lentille de mise au point.

### Correction Keystone

Glisser lentement Keystone (Fig. 3), jusqu'à la frontière de l'image de l'écran est devenu un carré régulier, régler la clé de voûte de l'amplitude maximale de  $\pm 15$  degrés. Si la position du train Keystone limite réglée ne supprime pas la distorsion trapézoïdale, raccourcir la distance entre le projecteur et le centre de l'écran dans la direction verticale. Si elle est placée sur le projecteur de table monté, la plaque de fond peut être ajustée en faisant tourner la roue pour modifier l'angle de l'angle de projection du projecteur.

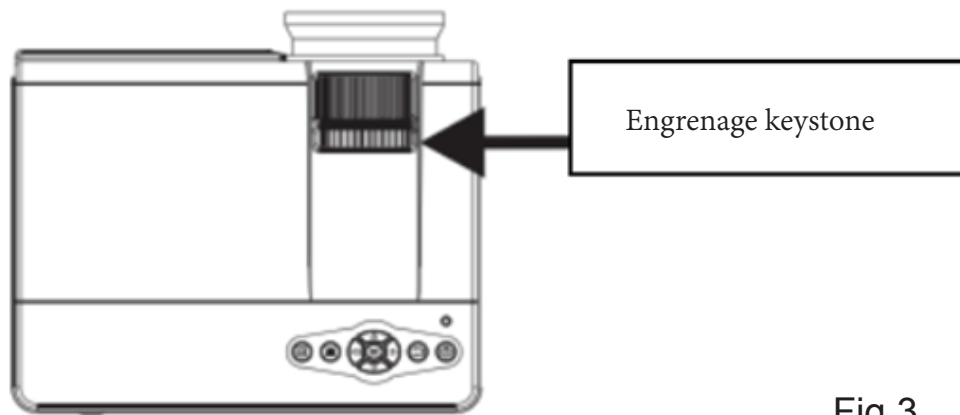
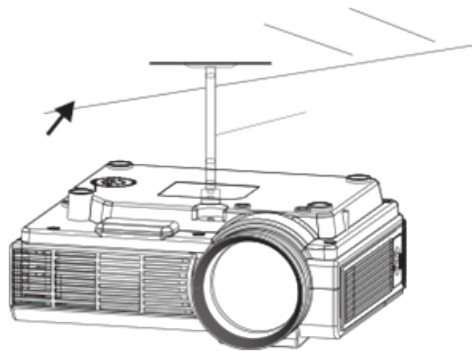


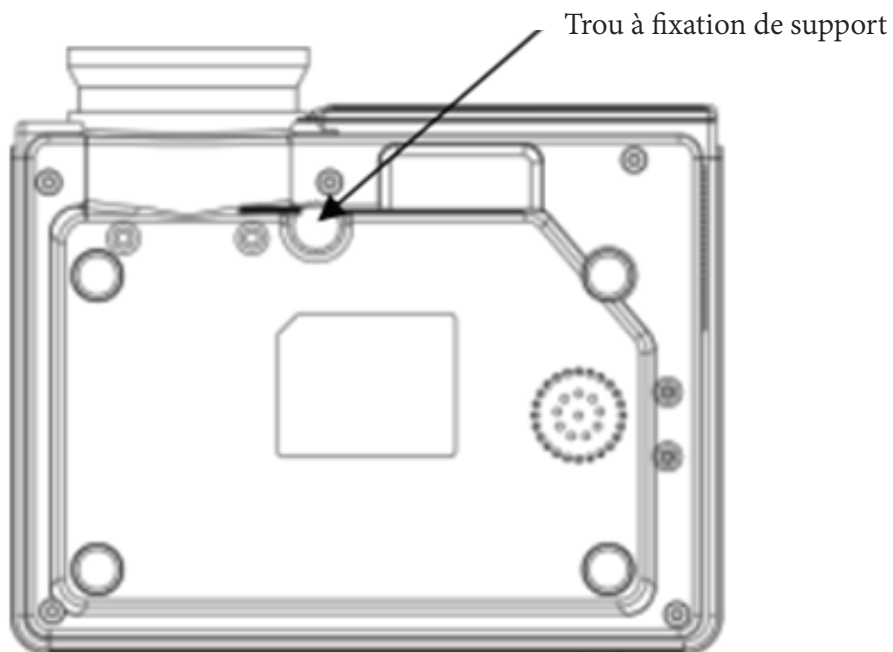
Fig.3

S'il vous plaît se référer à l'illustration du projecteur au plafond suivant



Note: Ne pas placer le projecteur près d'une source de chaleur des climatiseurs et des appareils de chauffage, sinon la machine peut surchauffer et arrêter automatiquement

Lors de l'installation du projecteur, s'il vous plaît choisir les vis adéquates de résistance et de suspension, afin d'éviter le temps de qualité ou à vis vissée dans une profondeur suffisante et se produit dans le projecteur tombe accident.

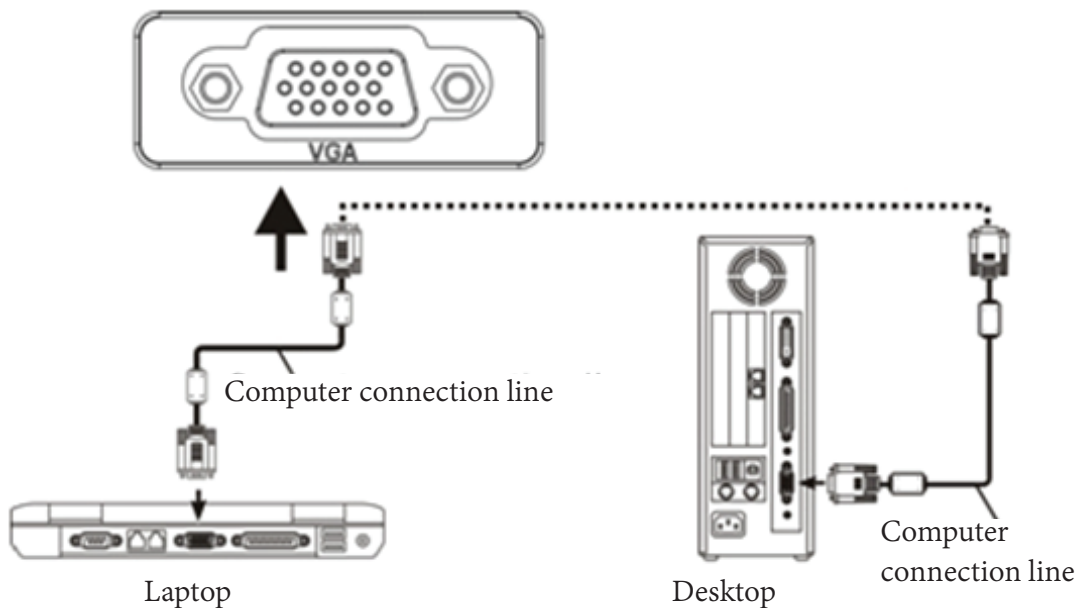


## Connexion des câbles de signal

Prise d'entrée d'alimentation: lors de l'utilisation, s'il vous plaît insérez l'adaptateur d'alimentation des accessoires de la machine dans la borne de sortie DC, et l'autre extrémité de l'adaptateur d'alimentation est inséré dans la prise de courant.

Prise d'entrée du VGA: ce port peut être relié à un ordinateur ou un autre connecteur de sortie avec un signal vidéo VGA.

Lorsque le projecteur est connecté à l'ordinateur, vous pouvez utiliser une connexion par câble VGA. Après la connexion avec un projecteur de câble VGA et du matériel informatique, branchez le cordon d'alimentation ou l'adaptateur secteur, allumer le projecteur, appuyez sur le bouton "Source" sur le panneau du projecteur ou de la télécommande, sélectionnez le "PC (VGA)", appuyez sur "OK "pour entrer dans le modèle informatique, puis réglage de l'ordinateur de la résolution et de la résolution physique du projecteur compatible avec le taux de 60Hz de rafraîchissement. (Utilisation réelle, la plupart des systèmes informatiques actuels ne prennent pas en charge la résolution 800 \* 480, cette fonction est utilisée pour voir la classe de document ne verra pas la police, mais pour un ordinateur pour jouer des images, des photos de classe n'a pas beaucoup touché).



Lorsque l'ordinateur portable connecté au projecteur, commutateur vidéo requis pour ordinateur portable: S'il vous plaît utilisez le câble VGA d'origine pour connecter l'ordinateur portable et le projecteur et le projecteur est allumé, appuyez sur le bouton VGA de la télécommande, ou appuyez sur l'unité bouton "Source" , ou de la télécommande bouton "Source", le projecteur est en mode VGA. Retour vers le côté du portable, appuyez sur la touche portable de commutation "Fn + Fx", Fx représente différents modèles de bloc-notes vidéo de commutation des touches F1-F10,

similaire à l'icône de la télévision. Appuyez une fois sur l'écran de l'ordinateur, tandis que le secondaire est pressé double affichage, appuyez trois fois le moniteur externe (ordinateur non représenté). Étant donné que chaque marque de touche de fonction de l'ordinateur pour basculer entre les différentes positions situées, vous contrôlez les éléments suivants selon les instructions de votre ordinateur portable pour basculer

Toshiba(Fn+F5) IBM(Fn+F7) HP(Fn+F4) Founder(Fn+F3)  
 samsung(Fn+F3) Panasonic(Fn+F3) NEC(Fn+F4) apple(Fn+F8)  
 sharp(Fn+F5) Hitachi(Fn+F7) Dell(Fn+F8) Acer(Fn+F5)  
 Lenovo(Fn+F3) BenQ(Fn+F7) ASUS(Fn+F9)

Système Win7 / Win8: S'il vous plaît utilisez le câble VGA d'origine pour connecter le projecteur et l'ordinateur, le projecteur est allumé, appuyez sur la machine bouton "Source", ou le bouton "Source" sur la télécommande, le projecteur passe en mode VGA . Face arrière de l'ordinateur portable, ordinateur de bureau, à droite, la résolution de l'écran, connectez le projecteur pour afficher le copier.

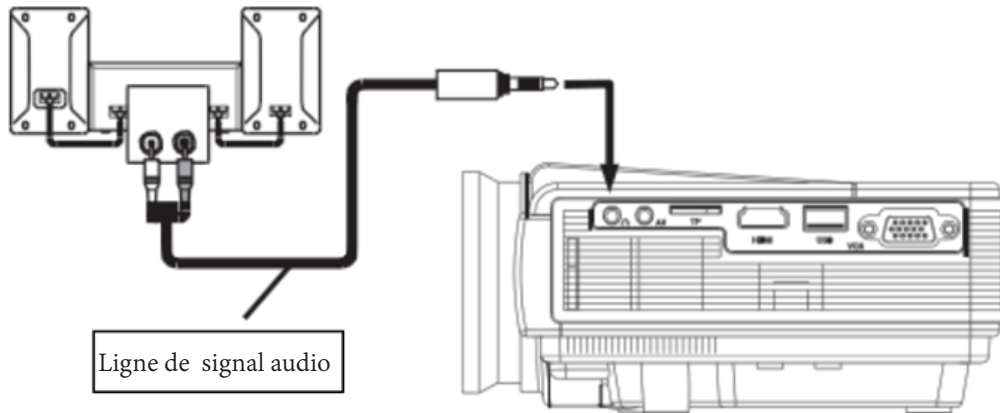
Reportez-vous aux paramètres de tableau ci-dessous pour régler le signal de sortie à partir d'un ordinateur

Type	Résolution		Fréquence horizontale (KHz)	Fréquence Champ (Hz)	VESA standard
PC	VGA	640×480	31.5	60	✓
			34.7	70	
			37.9	72	✓
			37.5	75	✓
	SVGA	800×600	31.4	50	
			35.1	56	✓
			37.9	60	✓
			46.6	70	
			48.1	72	✓
			46.9	75	✓
	XGA	1024×768	40.3	50	
			48.4	60	✓
			56.5	70	✓
			60.0	75	✓

Remarque: quand il y a un ordinateur connecté au projecteur et l'image ne peut pas être affichée simultanément, s'il vous plaît définir les propriétés d'affichage de l'ordinateur, sélectionnez le mode de sortie pour le CRT.

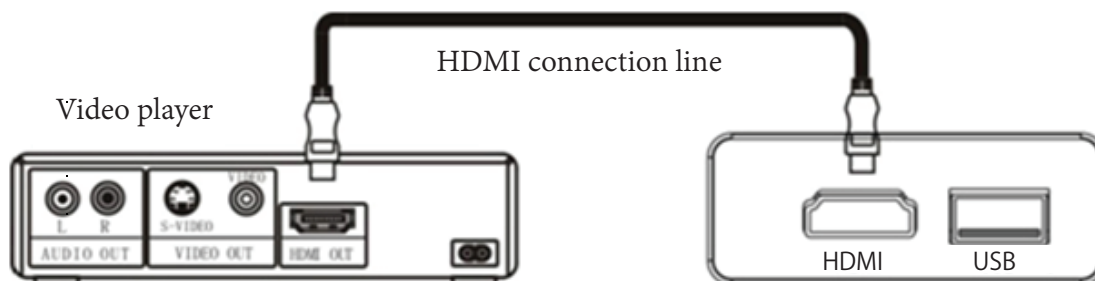
Prise d'entrée vidéo: Ce port peut être connecté aux joueurs OLD, lecteurs de DVD, des caméras et un autre lecteur vidéo vidéo (VIDEO), la prise de sortie audio.

Sortie audio: Le signal audio à partir du port de sortie du projecteur, comme une puissance élevée à jouer de la musique, s'il vous plaît vous connecter à une entrée de l'amplificateur de puissance externe.



Signal d'entrée HDMI: cette interface peut être reliée à l'extrémité de sortie d'un lecteur de sortie HDMI HD.

Lorsque le projecteur se connecter au lecteur HD, HD set-top boxes, des jeux vidéo, HD (HDMI) connexion de signal peut être utilisé. Après le raccordement des projecteurs et des équipements de haute définition avec câble haute définition (câble HDMI), branchez le cordon d'alimentation ou l'adaptateur secteur, allumer le projecteur, appuyez sur le bouton "Source" sur le panneau du projecteur ou de la télécommande, sélectionnez "(HDMI) bouton "appuyez sur" OK "pour entrer dans le mode HDMI.



Branchez le disque U

Branchez le disque U dans le port "USB", ou insérez la carte de TF dans la fente pour carte TF, appuyez sur le bouton "Source" sur le panneau du projecteur ou de la télécommande, sélectionnez l'option "multimédia (USB ou TF)", appuyez sur "OK" clé pour entrer en mode multimédia,

sélectionnez une vidéo ou des fichiers d'image dans le mode de prévisualisation vidéo, appuyez sur la télécommande "/ play pause" pour plein écran.

## Fonctionnement et utilisation du projecteur

Utilisation du menu  
Allumer/Éteindre

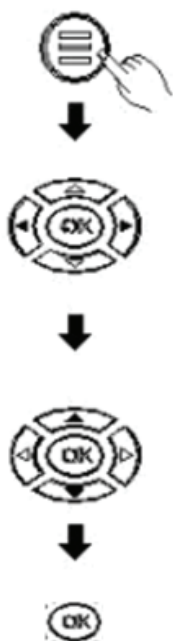


Mettez la machine  
Appuyez sur la touche d'alimentation sur la couverture ou de la télécommande, la couleur du clignotant, la machine en état de fonctionnement normal.



Eteignez la machine  
Appuyez sur la touche d'alimentation sur la couverture ou de la télécommande, et la machine passe à l'état de dormance.

## Opérations du menu-base



1. Appuyez sur le bouton menu de la télécommande ou "menu" sur le projecteur pour afficher l'écran de menu.
2. Appuyez sur la touche "◀" "▶" de la télécommande ou du projecteur pour sélectionner votre besoin d'ajuster ou régler un élément de menu, puis le menu de l'icône sectionnée sera mise en surbrillance.
3. Appuyez sur la touche "▲" "▼" sur la télécommande ou le projecteur sur le sous-menu pour sélectionner l'élément de menu que vous devez régler.
4. Ensuite, appuyez sur la télécommande ou le bouton "OK" sur le projecteur, activez l'icône sous-menu sectionnée.
5. Appuyez sur la touche "◀" "▶", pour régler vos éléments de menu des valeurs de paramètres sectionnés.
6. Répétez la deuxième ci-dessus à la cinquième procédure pour régler les autres éléments de menu, ou appuyez simplement sur la touche "EXIT" ou "MENU" pour quitter l'écran menu.

## Input Source Select



Appuyez sur "SOURCE" pour entrer dans l'interface de sélection de la source.

Appuyez sur "▲""▼" pour sélectionner le signal d'entrée souhaitée à partir du PC, AV HDMI, SD, USB

Appuyez sur "◀""▶" pour confirmer le type de signal d'entrée.

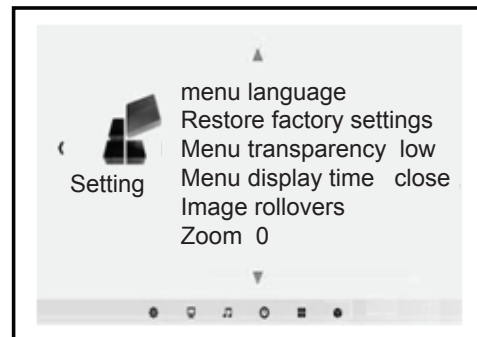
PC: Entrée de signal PC      HDMI: Entrée de signal HD

AV: Entrée de signal vidéo      USB: Multimedia entrée de signal

SD: Multimedia entrée de signal

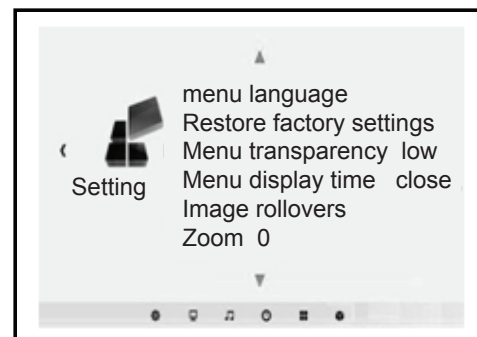
## Sélection de la langue

Voir la section "Fonctionnement du menu de base" pour passer à la droite de l'écran de menu, puis sélectionnez une langue de menu. Appuyez sur le bouton "OK" écran des options de langue pour entrer. Appuyez sur "▲""▼" ou "◀""▶", sélectionnez la langue que vous voulez, puis appuyez sur la touche "MENU" pour accepter les paramètres et la sortie.



## Image flip

Voir la section "" pour passer à la droite de l'écran de menu, puis sélectionnez une langue de menu. Appuyez sur "▲""▼" pour sélectionner l'image bacule. Répétez appuyez sur la touche "OK" pour rendre l'écran vers le haut, vers le bas, à gauche et à droite bascule



## Réglage du menu

Photo Menu		
Mode d'image	standard	Réglage du mode d'affichage de l'image.
Température de couleur		Affichage de l'image de réglage de la température de couleur.
Ratio d'aspect		Image 4: 3, 16: 9, Zoom ajustements.
Réduction de bruit		Affichage de l'image de réglage de réduction du bruit.
Réglage PC		Affichage de l'image de réglage PC de réglage.

## Menu son

Menu son		
Mode sonore	standard	Réglage du mode de sortie audio
équilibre		Réglage du niveau de sortie audio
Volume auto		Réglage du volume de réglage automatique
Son surround		Surround Sound réglage Réglage
Mode Fiber PCM		Mode fibre de réglage de réglage du PCM.
EQ		égaliseur audio Réglage réglage

Menu Horloge		
Horloge		Réglez l'heure actuelle de l'horloge
Le temps d'éteindre		Off réglage de l'heure
Le temps d'allumer		Le réglage de l'heure
Mise en veille		Réglage de la minuterie de mise en veille
Auto sommeil		Aucun signal automatique COMPENSATION

Configuration du menu		
Langue OSD		Réglez l'affichage de la langue du menu
Restaurer usine par défaut		Rétablir les paramètres d'usine.
Mélange		Paramètre blending
Osd Durée		Osd paramètre Durée
Image flip		Retournement de l'image Ajustement du mode
zoom		Réglage de l'image zoom

# WIMIUS

## T3 Mini LED Projector

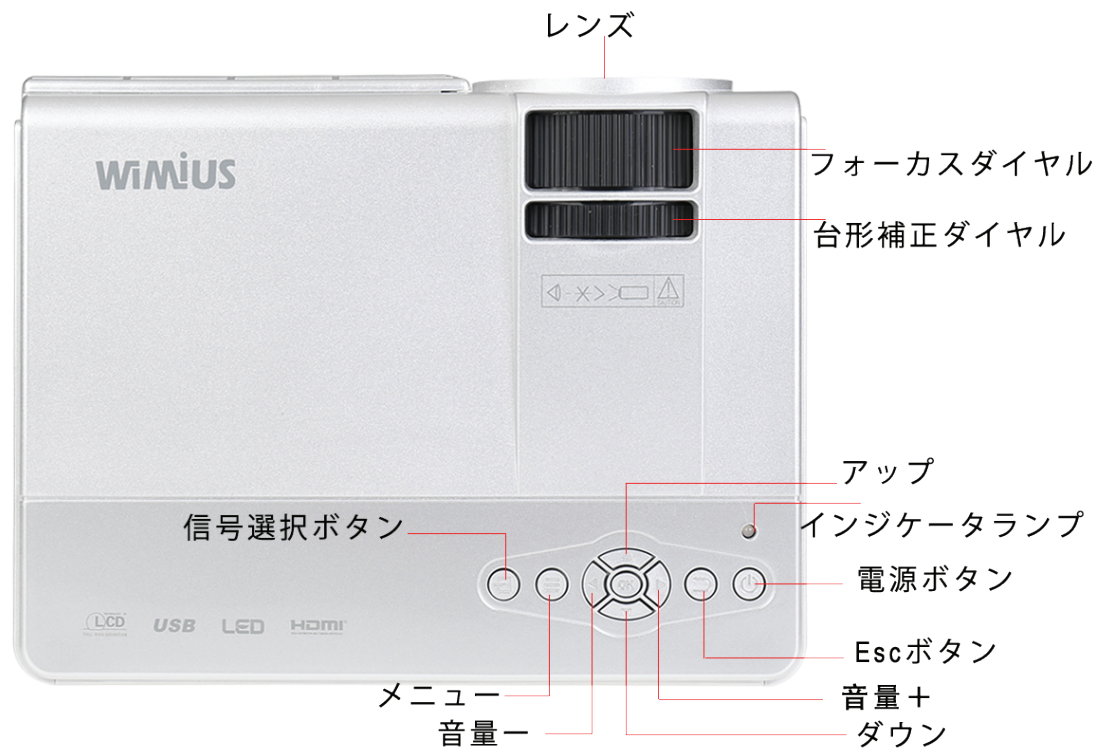
User Manual



# ミニLEDプロジェクター 簡易マニュアル

## 1. 製品規格:

投影タイプ	ホームシアター
ディスプレイ	LCD
光源	LED
明るさ	1200ルーメン
対比度	1000: 1
解像度	800*480
スクリーン対角線寸法	37-100 寸
投写距離	1. 16-3. 0M
組立方法	正面、リア、天吊、水平
画像サイズ	37 インチ/1. 16m
スクリーンサイズ	16: 9/4:3
光源明るさの均一性	90%
フォーカス	マニュアル
投影色彩	1677 万
光源寿命	≥50000 時間
TF カード (U デイスク) 最大限 対応	64G
端子	USB 出力*1, TF カード出力*1, AV*1, HDMI 出力*1、VGA 出力*1
オーディオ出力	*1 (L/R)
パワー標準	≤60 W
内蔵スピーカー	2W/8ohm
HDMI/VGA/AV	576i、720P、720i、720P、1080i、1080P
台形補正	±15 •
電源	110V-220V
映像対応ファイル:	MPEG1、MPEG2、MPEG4、RM、RMVB、MOV、MJPEG、Divx、VOB、MKV。
音声対応ファイル:	WMA、MP3、M4A (AAC)、APE、FLAC、WAV。
画像対応ファイル:	JPEG、BMP、PNG、画像解像度 8544*6656 に対応
テキストファイル	Txt
作動温度	0°C~40°C (32°F~104°F)
貯蔵温度	-20°C~45°C (-4°F~113°F)
作動湿度	10%RH~80%RH



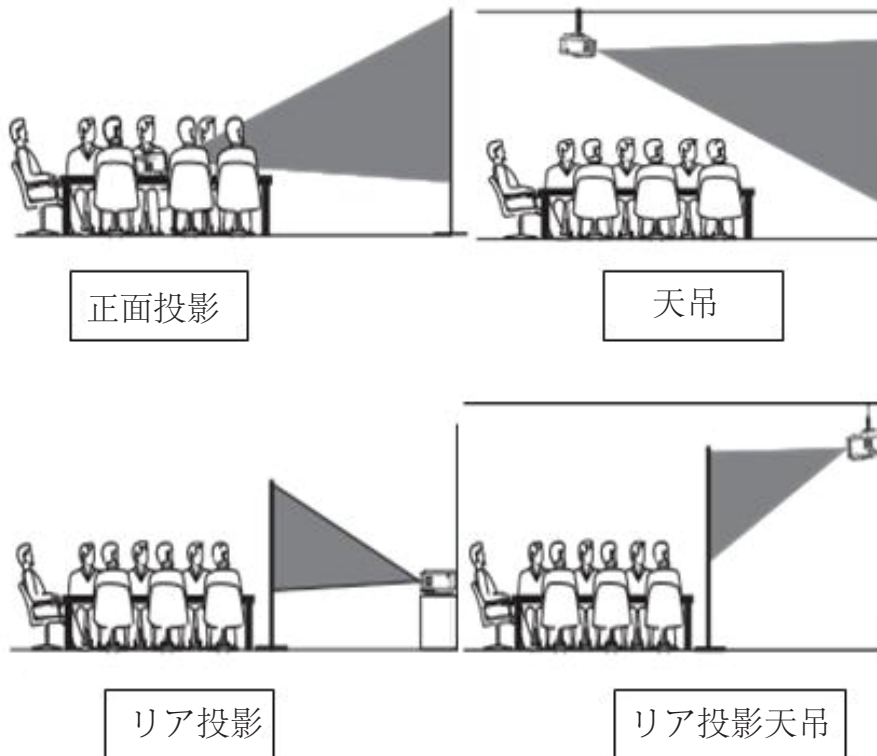
- (1)オーディオ出力イヤホンジャック
- (2)AVポート
- (3)TFカードポート
- (4)HDMIポート
- (5)USBポート
- (6)VGAポート

### 3.リモコンについて

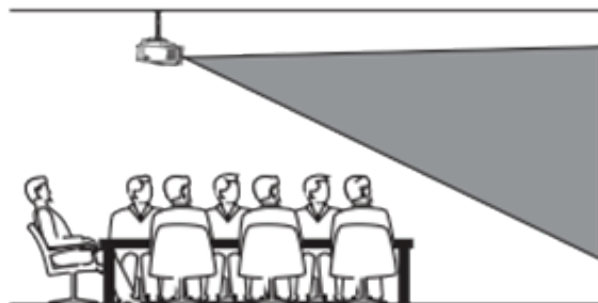


## 二. プロジェクターの組立

### 一. 組立方法

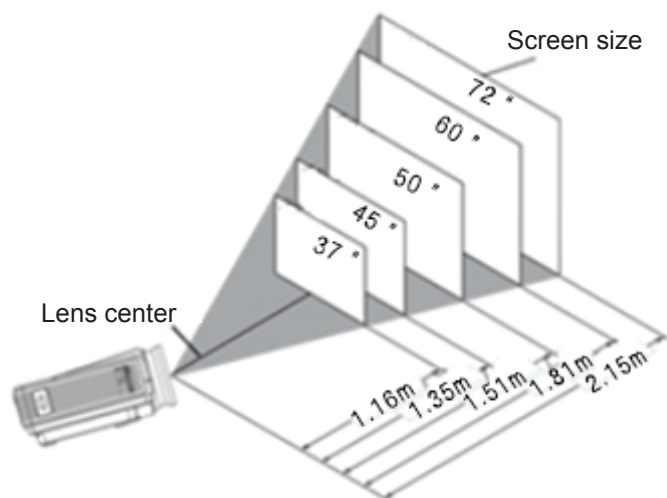


ご注意:天吊の場合はプロジェクター本体をスクリーンの上縁を超えない  
てください。でないと、投影画面や台形調整に影響します。  
本体をスクリーンの左右対称軸に向いて取り付けください。感電や本体燃や  
しのため、電源付きで取り付けしないでください。



天吊金具をご使用ください投影画面は正方形で取り付け成功

## 二. 投写距離



### ※注意



高輝度の光源で光に直視しないでください。特に児童にこの光源にご注意ください。

## 三、レンズ調整

レンズを右回りして調整してください。

## 四、台形補正

投影画面の縁が正方形になるまで台形補正ダイヤル(図3)をゆっくりと回します。最大の補正幅度は±15度。制限まで調整しても台形が消えないなら、本体とスクリーンの距離を縮んでください。

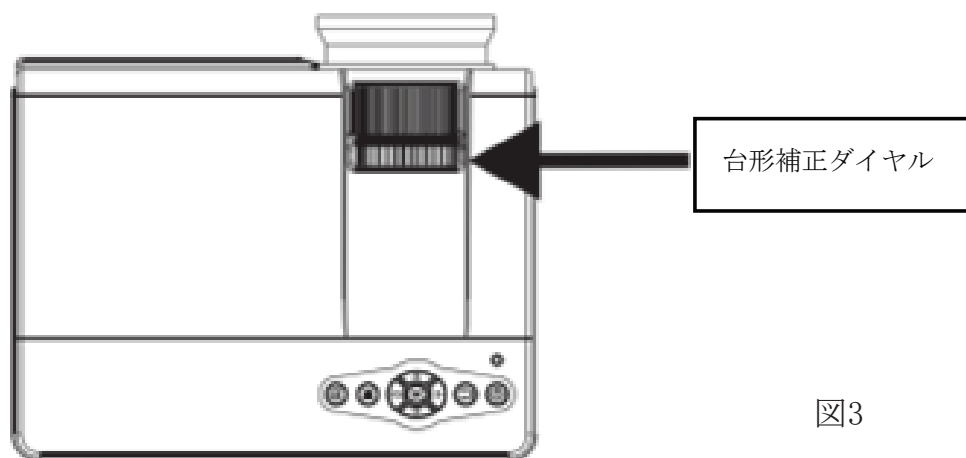
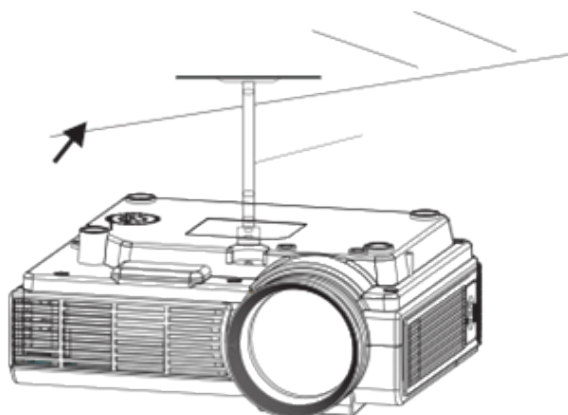


図3

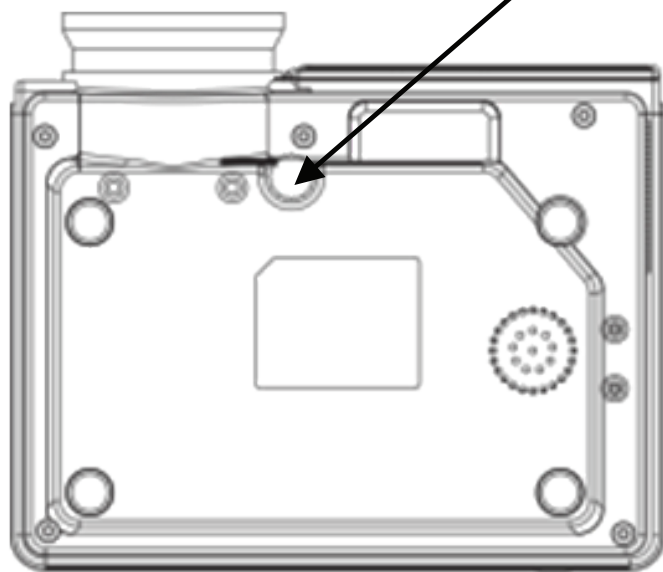
下記のように天吊取り付けを行ってください。



本体をエアコンやヒーターなどの熱源の周りに置かないでください。  
過熱で自動電源オフになる可能性があります。

頑丈な天吊金具をご使用ください。

天吊金具固定穴

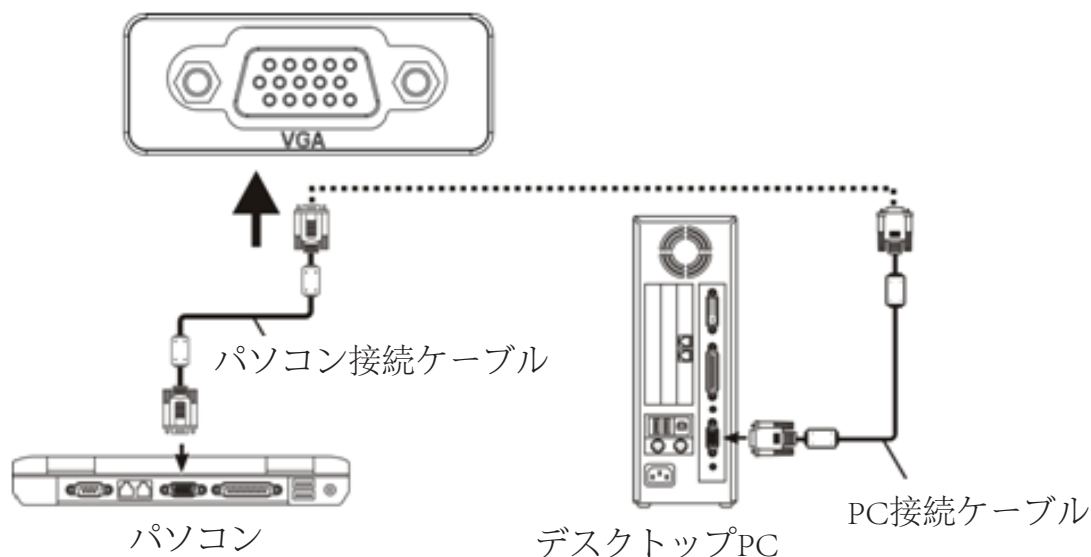


### 三. 信号ケーブルの接続

1.電源:付属の電源アダプターでコンセントに挿入してください。

2.VGA:

VGAケーブルでパソコンと接続します。本体は電源が入った後、本体或いはリモコンの“Source”(ソース)ボタンを押して、パソコン(VGA)を選択してOKボタンで決定します。そしてパソコンモードに入ります。パソコンの解像度をプロジェクターと同じように設定します。頻度を60Hzに設定します。(実際に使う時は、殆どのパソコンは800\*480の解像度に対応できません。この機能はテキストファイルでは字があまり見えなくなりますが、画像では問題なく使用できます。)



ノートパソコンと接続する場合は、PCでビデオ切り替えることが必要です。PCの“Fn+Fx”ボタンを押します。つまりFnを押すと同時に、F1からF12までのボタン一つだけ押してください。各ブランドのPCのボタンは以下となっています。

- Toshiba(Fn+F5)    IBM(Fn+F7)            HP(Fn+F4)    Founder(Fn+F3)
- samsung(Fn+F3)    Panasonic (Fn+F3)    NEC(Fn+F4)    apple(Fn+F8)
- sharp(Fn+F5)    Hitachi(Fn+F7)    Dell(Fn+F8)    Acer(Fn+F5)
- Lenovo(Fn+F3)    BenQ(Fn+F7)            ASUS(Fn+F9)

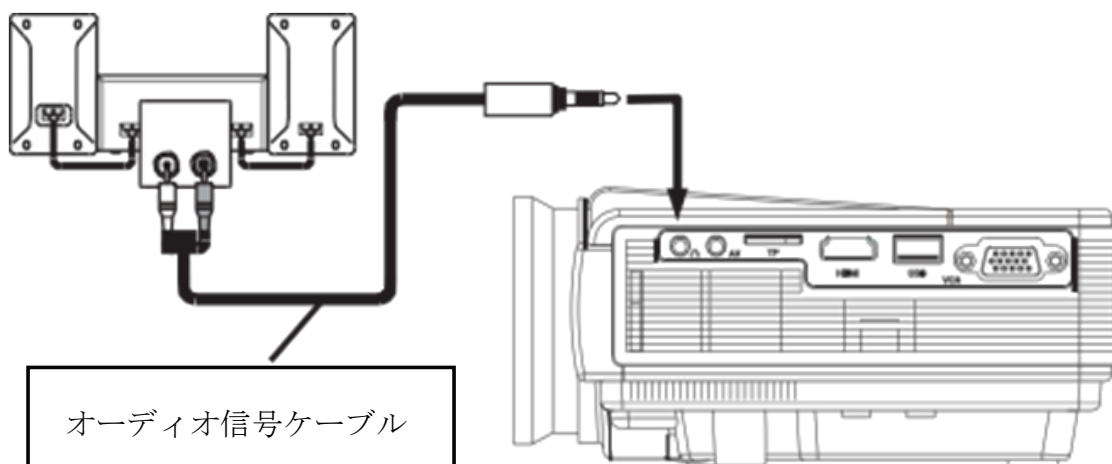
下記表にあるパラメーターを参考してPC出力信号を調整してください。

タイプ	解像度		(KHz)	(Hz)	VESA標準
PC	VGA	640×480	31.5	60	✓
			34.7	70	
			37.9	72	✓
			37.5	75	✓
	SVGA	800×600	31.4	50	
			35.1	56	✓
			37.9	60	✓
			46.6	70	
			48.1	72	✓
	XGA	1024×768	46.9	75	✓
			40.3	50	
			48.4	60	✓
56.5			70	✓	
			60.0	75	✓

※:PCとプロジェクターは同時に画面を表示されない場合はPCの表示特性をCRT出力に設定してください。

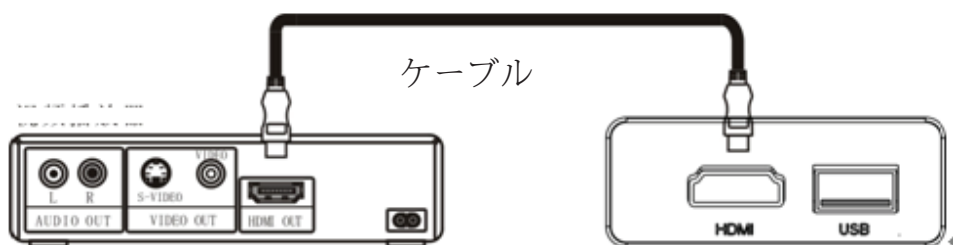
3.映像出力:このポートでLDプレーヤー、DVD、DVなどに接続できます。

4.オーディオ出力:このポートからオーディオ出力が出来ます。



5.HDMI:

HDMIケーブルでプロジェクターをHDプレーヤー、HDTV セットトップ・ボックス、ゲームなどに接続できます。電源入った後、本体或いはリモコンの“Source”ボタンを押します。“HDMI”を選択して“OK”ボタンで決定してHDMIモードに入ります。



6.Uディスク

Uディスクを“USB”ポートに差し込みます。或いはTFカードをTFカードポートに挿入します。本体或いはリモコンの“Source”ボタンを押して“マルチメディア (USB或いはTF)”を選択し“OK”ボタンで決定します。ビデオや写真を選択して再生できます。リモコンの再生/一時停止ボタンを押せばフルスクリーンにします。

## 四. 操作について

### 1. 電源オン/オフ

信号ケーブルなどを接続して、電源アダプターをプロジェクターのDCコンセントに挿入したら、電源インジケータランプが点灯し、待機モードに入ります。本体或いはリモコンの電源ボタンを押して、ランプが変色して投影画面が出て、電源が入ります。本体或いはリモコンの“SOURCE”(ソース)ボタンを押して出力信号を選択します。

本体或いはリモコンの電源ボタンを押して電源オフにします。

電源オフになった後は、プロジェクターの扇風機が完全に止まった後電源切ることができます。機内に余計な熱を保ってプロジェクターの使用寿命に影響しますから。

投影画面の質に影響しないように適当な投影幕をご使用ください。できるだけ暗いところでお使いください。

### 2. メニュー操作について

#### (1) 電源オン/オフ



電源接続したら、本体或いはリモコンの電源ボタンを押します。インジケータランプが変色してから電源オンになります。



本体或いはリモコンの電源ボタンをもう一度押すと、電源オフになります。

#### (2) メニューの基本操作について



リモコンの或いは本体の“MENU(メニュー)”を押します。メニュー画面が出ます。

リモコン或いは本体の“◀”“▶”ボタンを押してご希望の項目を選択します。

リモコン或いは本体の“▲”“▼”ボタンを押してご希望の項目を選択します。

“OK”ボタンで決定します。

“◀”“▶”ボタンで選択します。上記二から五の手順で繰り返して他のメニューに入ります。或いは“MENU”または“EXIT”ボタンを押してメニュー画面から戻ります。

### (3)入力信号選択



“SOURCE (ソース)”ボタンを押して信号源選択画面に入ります。

“▲”“▼”ボタンを押してPC、AV、HDMI、SD、USB中からご希望の信号を選択します。

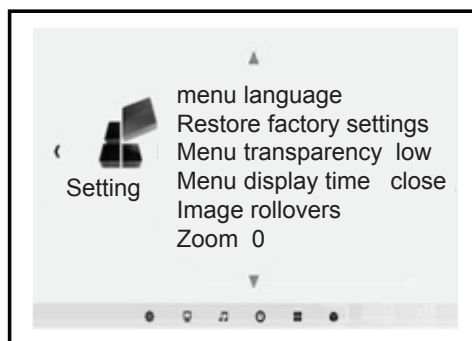
“◀”“▶”ボタン押して決定します。

### (4)言語

メニュー画面でメニュー言語に入ります。

“OK”ボタンを押して言語画面に入ります。

“▲”“▼”或いは“◀”“▶”ボタンを押してご希望の言語を決定します。“MENU”ボタンを押して設定して戻ります。

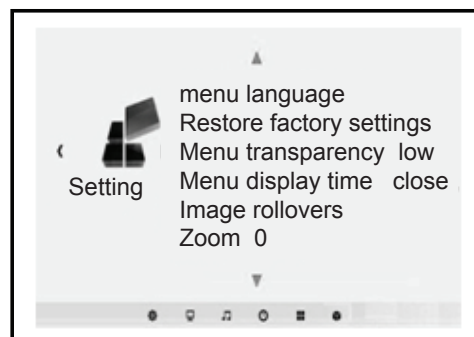


### (5)画像回転

メニュー画面で右の写真に切り替えます。

“▲”“▼”ボタンを押して画像回転を選択します。

“OK”ボタンを繰り返して押して画像を上下左右に回転します。



## 五. 故障処理

故障現象	可能原因
1. 電源スイッチをオンにした後ランプが点灯しない	<ul style="list-style-type: none"> <li>◇ 電源プラグがちゃんと挿入できたか?</li> <li>◇ コンセントの電圧が問題ないか?</li> <li>◇ 電源スイッチがオンにしたか?</li> </ul>
2. 本体をオンにした後、投影画面が出ない	<ul style="list-style-type: none"> <li>◇ 信号が間違っていないか?</li> <li>◇ 信号源デバイスの電源が入ったか?</li> <li>◇ 信号ケーブルがちゃんと挿入できたか?</li> <li>◇ 信号ケーブル挿入が間違っていないか?</li> <li>◇ VGA では PC の頻度が高すぎるか?</li> <li>◇ PC 接続する場合は PC の出力を外部表示に設定したか。</li> </ul>
3. リモコンの電源ボタンで本体をオンにできない	<ul style="list-style-type: none"> <li>◇ 本体の電源スイッチをオンにしたか?</li> <li>◇ リモコンが電池切れ?</li> <li>◇ リモコンレシーバーの前に障害物がないか?</li> <li>◇ 本体から遠く離れたか?</li> </ul>
4. 一時使用した後自動電源オフになる	<ul style="list-style-type: none"> <li>◇ 本体のインレットは塞がれたか?</li> <li>◇ 過熱保護したか?</li> </ul>
5. 画像は正常だが音声なし	<ul style="list-style-type: none"> <li>◇ 本体を最低音量に調整したか?</li> <li>◇ スピーカーデバイスはオーディオ出力ができるか?</li> <li>◇ スピーカーデバイスは最低音量に調整したか?</li> </ul>

