



en

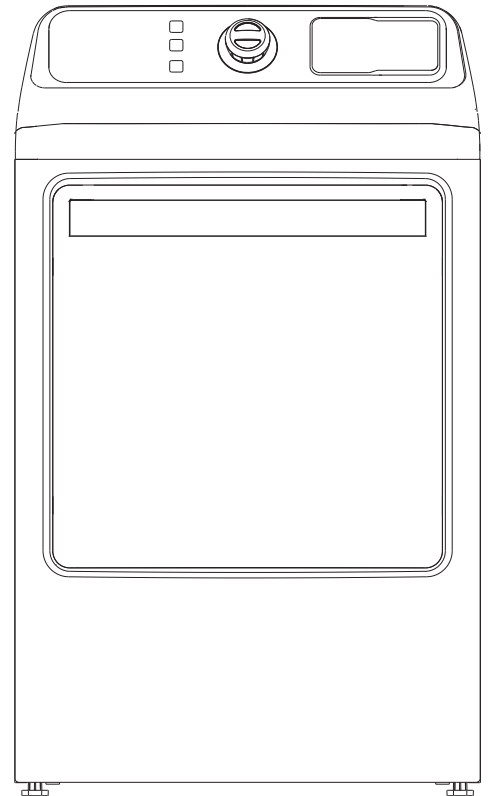
Electric dryer

Power supply: 120/240V
Frequency: 60Hz

Warning:
Before using this product,
please read this manual carefully
and keep it for future reference.
The design and specifications
are subject to change without
prior notice for product
improvement. Consult with your
dealer or manufacturer for
details.

version A

USER MANUAL & INSTALLATION INSTRUCTIONS



MODEL NUMBERS
MLE45N1BWWC
MLG45N1BWWC
www.midea.com/ca

Dear user

THANK YOU and **CONGRATULATIONS** on your purchase of this high-quality Midea product. Your Midea dryer is designed for reliable, trouble-free performance. Please take a moment to register your new dryer.

Register your new dryer at

www.midea.com/ca/support/Product-registration

For future reference, record your product model and serial numbers located on the inside frame of the dryer.

Model Number _____

Serial Number _____

DRYER SAFETY	4
OPERATION REQUIREMENTS	8
Important to Installer	8
Basic Requirements	9
Location Requirements	9
Ducting Requirements	12
Exhausting Requirements	14
Electric Requirements	15
Grounding	16
PARTS AND FEATURES	17
Replacement Parts and Accessories	17
INSTALLATION INSTRUCTIONS	18
Removing From the Package	18
Tools Required	18
Choose the Proper Location	19
Install the Exhaust System	20
Connect the Electrical Wiring	21
Level the Dryer	24
Power On	24
Final Check	24
Door Reversal Procedure	25
Change the dryer vent location	28

DRYER USE	31
Control Panel	31
Drying a Load of Laundry	34
Special Laundry Tips	38
DRYER CARE	39
Cleaning and Maintenance	39
TROUBLESHOOTING	40
Check These Solutions if Your Dryer.....	40
Error Codes	42
APPENDIX	43
Fabric Care Chart	43
WARRANTY	44
PRODUCT REGISTRATION	46

READ AND KEEP THESE INSTRUCTIONS FOR FUTURE REFERENCE

This manual contains important information on the installation, use, and care of your appliance. Please read this manual carefully before installation and operation of this machine to prevent injury and property damage.

Warnings and Important Safety Instructions in this manual DO NOT cover all possible conditions and situations that may occur. It is your responsibility to use common sense, caution and care when installing, maintaining and operating your dryer.



DRYER SAFETY

YOUR SAFETY AND THE SAFETY OF OTHERS ARE VERY IMPORTANT

To prevent injury to the user or other people and property damage, the instructions shown here must be followed. Incorrect operation due to ignoring of instructions may cause harm or damage, including death.

The level of risk is shown by the following indications.



This symbol indicates the possibility of death or serious injury.



This symbol indicates the possibility of injury or damage to property.



This symbol indicates the possibility of dangerous voltage constituting a risk of electrical shock is present that could result in death or serious injury.

WARNING

For your safety the information in this manual must be followed to minimize the risk of fire or explosion, or to prevent property damage, personal injury or death.

- Do not store or use gasoline or other flammable vapors and liquids in the vicinity of this or any other appliance.
- Installation and service must be performed by a qualified installer, service agency.

WARNING

Fire Hazard



- Failure to follow safety warnings exactly could result in serious injury, death or property damage.
- Do not install a booster fan in the exhaust duct.
- Install all clothes dryers in accordance with the installation instructions of the manufacturer of the dryer.

IMPORTANT SAFETY INSTRUCTIONS

WARNING

To reduce the risk of fire, electric shock, or injury to persons when using your appliance, follow basic precautions, including the following:

- Read all instructions before using the appliance.
- Use this appliance only for its intended purpose as described in this Owner's Manual.
- Before use, the dryer must be properly installed as described in this manual.
- ALWAYS follow the fabric care instructions supplied by the garment manufacturer.
- Do not dry articles that have been previously cleaned in, washed in, soaked in, or spotted with gasoline, dry-cleaning solvents, other flammable or explosive substances as they give off vapors that could ignite or explode.
- Do not use the dryer to dry clothes which have traces of any flammable substance, such as vegetable oil, cooking oil, machine oil, flammable chemicals, thinner, etc., or anything containing wax or chemicals, such as mops and cleaning clothes. Flammable substances may cause the fabric to catch fire by itself.
- Do not store or use gasoline or other flammable vapors and liquids near this or any other appliance.
- Do not allow children to play on or in the appliance. Close supervision of children is necessary when the appliance is used near children.
- Before the appliance is removed from service or discarded, remove the lid of the washing or door of the drying compartment.
- Do not reach into the appliance if the drum is moving.
- Do not install or store this appliance where it will be exposed to the weather or freezing temperatures below 33°F.
- Do not tamper with the controls and latch.
- Do not install a booster fan in the exhaust duct.
- Do not repair or replace any part of the appliance or attempt any servicing unless it is specifically recommended in the user-maintenance instructions or in published user-repair instructions that you understand and have the skills to carry out.
- Keep the area underneath and around your appliances free of combustible materials (lint, paper, rags, etc.), gasoline, chemicals and other flammable vapors and liquids.
- Do not place items exposed to cooking oils in your dryer. Items contaminated with cooking oils may contribute to a chemical reaction that could cause a load to catch fire. To reduce the risk of fire due to contaminated loads, the final part of a tumble dryer cycle occurs without heat (cool down period). Avoid stopping a tumble dryer before the end of the drying cycle unless all items are quickly removed and spread out so that the heat is dissipated.

- Turn off the water faucets and unplug the washer if the machine is to be left for an extended period of time, such as during vacations.
- Packaging material can be dangerous for children. There is a risk of suffocation! Keep all packaging items from children.
- Always check the inside of the dryer for foreign objects before loading laundry. Keep the door closed when not in use.
- Do not use fabric softeners or by-products to eliminate static unless recommended by the manufacturer of the fabric softener or product manufacture.
- **Clean the lint screen before or after each load.**
- Keep the area around the exhaust opening and surrounding areas free from lint, dust, and dirt.
- Keep interior of the dryer and exhaust duct periodically clean. If necessary use services qualified service personnel.
- Do not place items exposed to cooking oils in your dryer. Items contaminated with cooking oils may contribute to a chemical reaction that could cause a load to catch fire.
- This appliance must be grounded. See “**Electric Requirements**” and “**Grounding**” in the “**Operation Requirements**” section.
- This appliance must be properly grounded. Never plug the power cord into a receptacle that is not grounded adequately and in accordance with local and national codes. Refer to installation instructions for grounding this appliance.
- Ensure pockets are free from small irregularly shaped hard objects and foreign material, i.e. coins, knives, pins, etc. These objects could damage your dryer and clothes.
- Do not use heat to dry articles containing foam rubber or similarly textured rubber like - materials.


 **WARNING****To reduce the risk of fire or explosion**

- Do not dry items that have been previously cleaned, washed, soaked, or spotted with gasoline, dry cleaning solvents, or other flammable or explosive substances. They emit vapors that could ignite or explode. Any material that has been in contact with a cleaning solvent or flammable liquids or solids should not be placed in the dryer until all traces of these flammable liquids or solids and their fumes have been removed.
- There are many highly flammable items used in homes, such as acetone, denatured alcohol, gasoline, kerosene, some liquid household cleaners, some spot removers, turpentine, waxes, and wax removers.
- Do not dry items containing foam rubber (may be labeled latex foam) or similarly textured rubber-like materials on a heat setting. Heated foam rubber materials can, under certain circumstances, produce fire by spontaneous combustion.

CAUTION

- Do not sit on top of the dryer.
- Because of continuing product improvements, Midea America reserves the right of change specifications without notice. For complete details, see the Installation Instructions packed with your product before selecting cabinetry, making cutouts, or beginning installation.
- Do not dry clothing with large buckles, buttons, or other heavy metal or solid things.
- Install and use in accordance with the manufacturer's instructions.
- Do not place items in your dryer that have been spotted or soaked with vegetable oil or cooking oil. Even after being washed, these items may contain significant amounts of these oils.
- Residual oil on clothing can ignite spontaneously. The potential for spontaneous combustion increases when items containing vegetable oil or cooking oil are exposed to heat. Heat source such as your dryer can warm these items, allowing an oxidation reaction in the oil to occur.
- Oxidation creates heat. If this heat cannot escape, the items can become hot enough to catch fire. Piling, stacking, or storing these kinds of items may prevent heat from escaping and can create a fire hazard.
- Prevent children's from playing with the dryer door that fingers are not caught in door when closing it. This may result in injury.

State of California Proposition 65 Warnings:

 **WARNING: Cancer and Reproductive Harm**
-www.P65Warnings.ca.gov.

SAVE THESE INSTRUCTIONS
THIS APPLIANCE IS FOR HOUSEHOLD USE ONLY

OPERATION REQUIREMENTS

WARNING



Fire Hazard

- Clothes dryer installation must be performed by a qualified installer.
- Install the clothes dryer according to the manufacturer's instructions and local codes.
- Do not install a clothes dryer with flexible plastic venting materials. If flexible metal (foil type) duct is installed, it must be of a specific type identified by the appliance manufacturer as suitable for use with clothes dryer. Flexible venting materials are known to collapse, be easily crushed, and trap lint. These conditions will obstruct with the clothes dryer's airflow and increase the risk of fire.
- To reduce the risk of severe injury or death, follow all installation instructions
- Save these instructions.

IMPORTANT TO INSTALLER

Please read the following instructions carefully before installing the dryer. These instructions should be kept for future reference.

CAUTION

- The dryer is not suitable for installation in a mobile home.
- Remove the door from all discarded appliances to avoid the danger of a child being trapped and suffocating, after unplugging cut off Power Cord.

BASIC REQUIREMENTS

Make sure you have everything necessary for the proper installation.

- A GROUNDED ELECTRICAL OUTLET is required. Refer to the “**Electrical requirements**” section.
- The EXHAUST SYSTEM must be made of rigid metal or flexible stiff-walled metal exhaust ducting. **DO NOT USE PLASTIC DUCTS.**

LOCATION REQUIREMENTS

1. The dryer should be located where there is enough space at the front for loading the dryer, and enough space behind for the exhaust system.
2. This dryer is factory-ready for the rear exhaust option. To exhaust out the bottom or left, use the accessory exhaust kit. Instructions are included with the kit.
3. Make sure the room in which the dryer is located has enough fresh air. The dryer must be located where there are no air-flow obstructions. Ambient temperature shall not be lower than 33°F.
4. The dryer must not be installed or stored in an area where it will be exposed to water and/or weather. The dryer area must be kept clear of combustible materials, gasoline, and other flammable vapors and liquids. A dryer produces combustible lint. The area around the dryer should be kept lint-free.

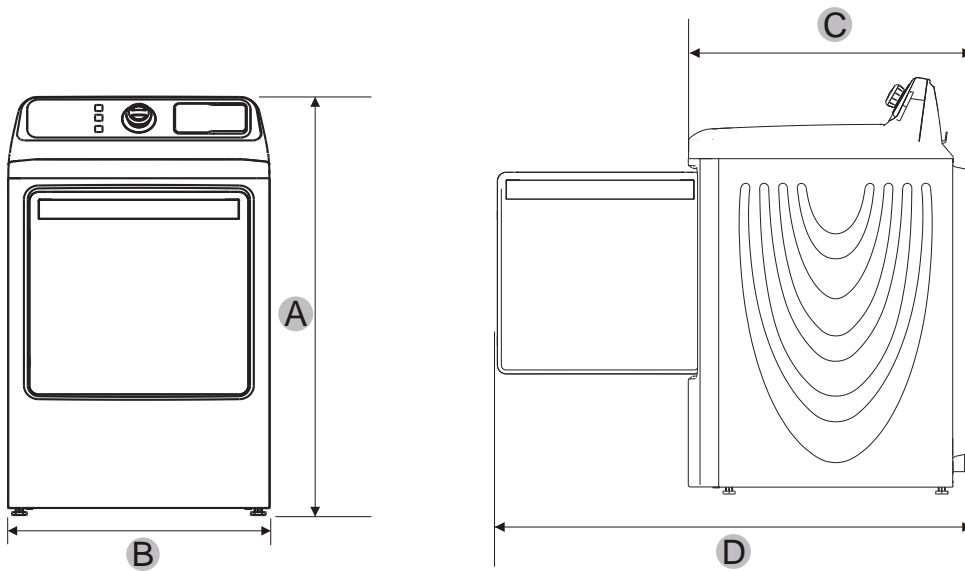
ALCOVE OR CLOSET OR WALL INSERT/RECESSED INSTALLATIONS

WARNING

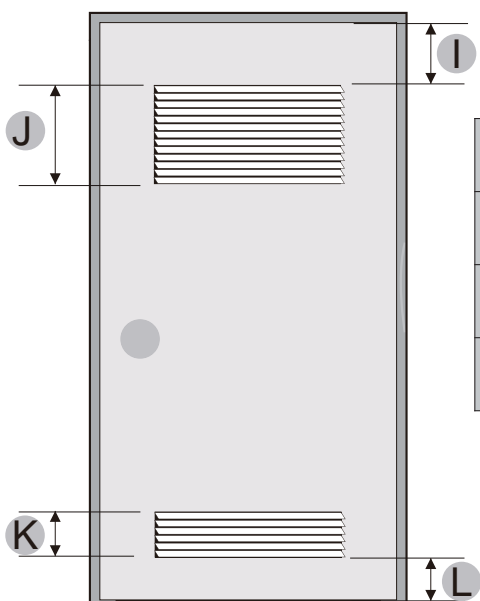
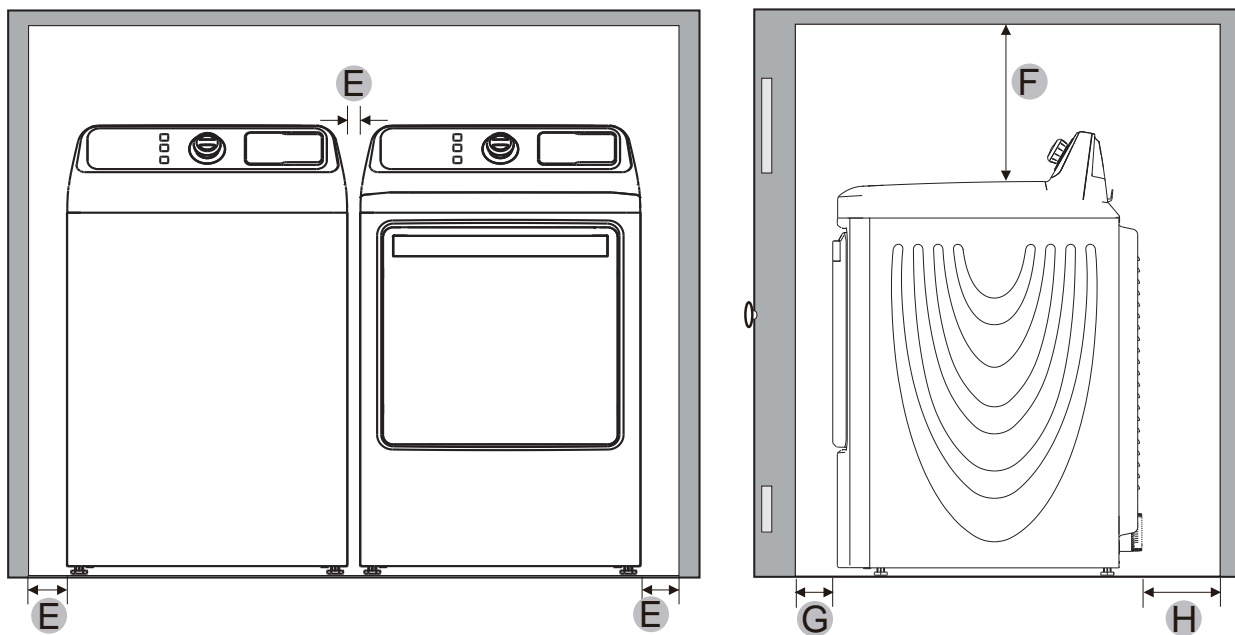
- The dryer must be exhausted to the outside to reduce the risk of fire when installed any place inside the house.
- No other fuel-burning appliance should be installed in the same closet as the dryer.

Minimum clearances between the dryer and adjacent walls or other surfaces:

Sides	1 in. (25 mm)	Rear	5 in. (127 mm)
Top	24 in. (610 mm)	Closet front	2 in. (51 mm)



A	45.8 in. (1163 mm)	B	27 in. (686 mm)
C	31.5 in. (800 mm)	D	52.5 in. (1333 mm)

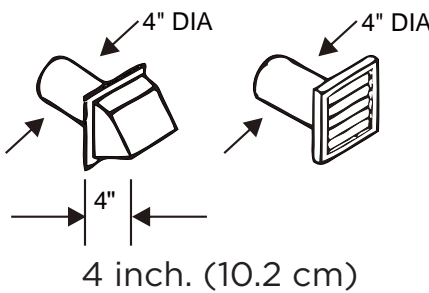
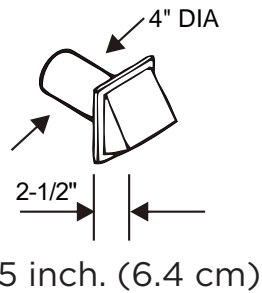


E	1 in. (25 mm)	F	24 in. (610 mm)
G	2 in. (51 mm)	H	5 in. (127 mm)
I	3 in. (76 mm)	J	48 in. ² (31000 mm ²)
K	24 in. ² (15500 mm ²)	L	3 in. (76 mm)

NOTE:

The front of the closet must have two unobstructed air openings for a combined minimum total area of 72 sq.in. (465 sq.cm) with a minimum clearance of 3 in. (76 mm) at the top and bottom. A slatted door with equivalent space clearance is acceptable.

DUCTING REQUIREMENTS

	Recommended	Use only for short-run installation
Weather Hood Type	 <p>4 inch. (10.2 cm)</p>	 <p>2.5 inch. (6.4 cm)</p>
No. of 90° elbows	Rigid Metallic	Rigid Metallic
0	90 ft. (27.4 m)	60 ft. (18.3 m)
1	60 ft. (18.3 m)	45 ft. (13.7 m)
2	45 ft. (13.7 m)	35 ft. (10.7 m)
3	35 ft. (10.7 m)	25 ft. (7.6 m)

If this new dryer is installed into an existing exhaust system you must make sure:

- The exhaust system meets all local, state, and national codes.
- That a flexible plastic duct is not used.
- To inspect and clean all lint buildup from inside the existing duct.
- The duct is not dented or crushed.
- The exhaust hood damper opens and closes freely.

Manometer measurements

The static pressure in any exhaust system for best results shall be between 0.3 to 0.8 inches of water column, and cannot be less than 0 under any circumstances. with installed duct of 4 inch diameter. Measurement must be done with the empty dryer working with a manometer at the point where the exhaust duct connects to the dryer. A no-heat setting should be used. Lint filter must be clean.

WARNING

The correct exhaust installation is **YOUR RESPONSIBILITY**.

- Use a 4-inch (10.2cm) diameter rigid aluminum or rigid galvanized steel duct.
- Do not use smaller diameter than recommended diameter duct.
- Ducts larger than 4 inches (10.2cm) in diameter can result in increased accumulation of lint and changes in performance
- Lint should be removed from internal filter before every cycle and clean ducts periodically.
- If a flexible metal duct must be used, use the type with a stiff sheet metal wall. Do not use a flexible duct with a thin foil wall. A serious blockage can result if the flexible metal duct is bent too sharply.
- Never install any type of flexible duct in walls, ceilings, or other concealed spaces.
- Keep the exhaust duct as straight, short as possible, minimum elbows
- Secure joints with duct tape. Do not use screws.
- Plastic flexible ducts can kink, sag, be punctured, reduce airflow, extend drying times, and affect the dryer operation.
- Exhaust systems longer than recommended 90 ft can extend drying times, affect machine operations, and collect lint.
- The exhaust duct should end with an exhaust hood with a swing-out damper to prevent back drafts and entry of wildlife. Never use an exhaust hood with a magnetic damper.
- The hood should have at least 12 inches (30.5cm) of clearance between the bottom of the hood and the ground or other obstruction. The hood opening should point down.
- Never install a screen over the exhaust outlet.
- To avoid lint buildup, do not exhaust the dryer directly into a window well. Do not exhaust under a house or porch.
- If the exhaust duct must run through an unheated area, the duct should be insulated and slope slightly down towards the exhaust hood to reduce condensation and lint buildup.
- Inspect and clean the interior of the exhaust system at least once a year. Unplug the power cord before cleaning.
- Check frequently to make sure the exhaust hood damper opens and closes freely.
- Check once per month, and clean at least once per year. NOTE: If your clothes are not getting dry, then check the ducting for obstructions.
- Do not exhaust the dryer into a wall, ceiling, crawl space, or concealed space of a building, gas vent, or any other common duct or chimney. This could create a fire hazard from the lint expelled by the dryer.
- Do not use non-metallic flexible duct.
- To reduce the risk of fire, this dryer **MUST BE EXHAUSTED OUTDOORS** without obstruction around the outlet.

EXHAUSTING REQUIREMENTS

WARNING

- The dryer shall not be exhausted into a chimney, a wall, a ceiling, an attic, a crawl space, or a concealed space of a building.
- The dryer must be exhausted to the outside to reduce the risk of fire when installed in alcove or closet.

Exhausting the dryer to the outside will prevent large amounts of lint and moisture from being blown into the room.

WARNING

NEVER USE A PLASTIC OR NON-METAL FLEXIBLE DUCT

If your existing ductwork is plastic, non-metal, or combustible, replace it with metal before installation this appliance

Use only a metal exhaust duct that is non-flammable to ensure containment of the exhaust air heat, and lint.

Refer to the “Ducting requirements” section on page 12 for the maximum duct length and number of bends.

- All dryers must be exhausted to the outside.
- Do not assemble the duct with screws or other fastening means that extend into the duct and catch lint.
- The exhaust duct should be 4 inches (102mm) in diameter.
- The total length of flexible metal duct shall not exceed 7.8 feet (2.4 meters).

ELECTRIC REQUIREMENTS

The wiring diagram is located on the back board of the unit.

WARNING

- The improper connection of the equipment grounding conductor can result in the risk of electric shock. Check with a qualified electrician or serviceman if you are in doubt as to whether your dryer is properly grounded. Do not modify the plug provided with your dryer - if it doesn't fit the outlet, have a proper outlet installed by a qualified electrician.
- To prevent unnecessary risk of fire, electrical shock, or personal injury, all wiring and grounding must be done in accordance with local codes, or in the absence of local codes, with the National Electrical Code, ANSI/NFPA No. 70 - Latest Revision (for the U.S.) or the Canadian Electrical Code CSA C22.1 - Latest Revisions and local codes and ordinances. It is your responsibility to provide adequate electrical services for your dryer.

Electrical connections

An individual branch (or separate) circuit serving only your dryer is recommended. DO NOT USE AN EXTENSION CORD.

WARNING

Electrical Shock Hazard



When local codes allow, the electrical supply of the dryer may be connected by means of a new power supply cord kit, marked for use with a dryer, that is UL listed and rated at a minimum of 120/240 volts, 30-ampere with three No. 10 copper wire conductors terminated with closed loop terminals, open-end spade lugs with turned up ends, or with tinned leads.

- Do not reuse a power supply cord from an old dryer. The power cord electric supply wiring must be retained at the dryer cabinet with a suitable UL-listed strain relief.
- Grounding through the neutral conductor is prohibited for (1) new branch-circuit installations, (2) mobile homes, (3) recreational vehicles, and (4) areas where local codes prohibit grounding through the neutral conductor. (Use a 4-prong plug for 4 wire receptacles, NEMA type 14-30R.)

Electric models - Canada only

- A 120/240 volt, 60Hz AC approved electrical service fused through a 30-ampere fuse or circuit breaker on both sides of the line is required.
- All Canadian models are shipped with the power cord attached. The power cord should be plugged into a 30-ampere receptacle.

GROUNDING

This dryer must be grounded. In the event of a malfunction or breakdown, the grounding the product will reduce the risk of electrical shock by providing a path of least resistance for the electrical current.

WARNING

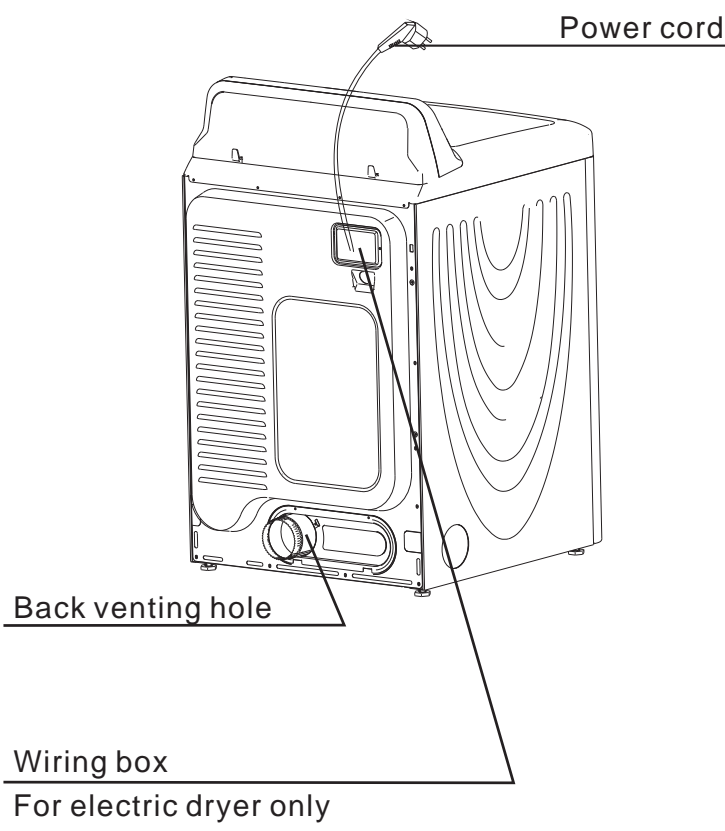
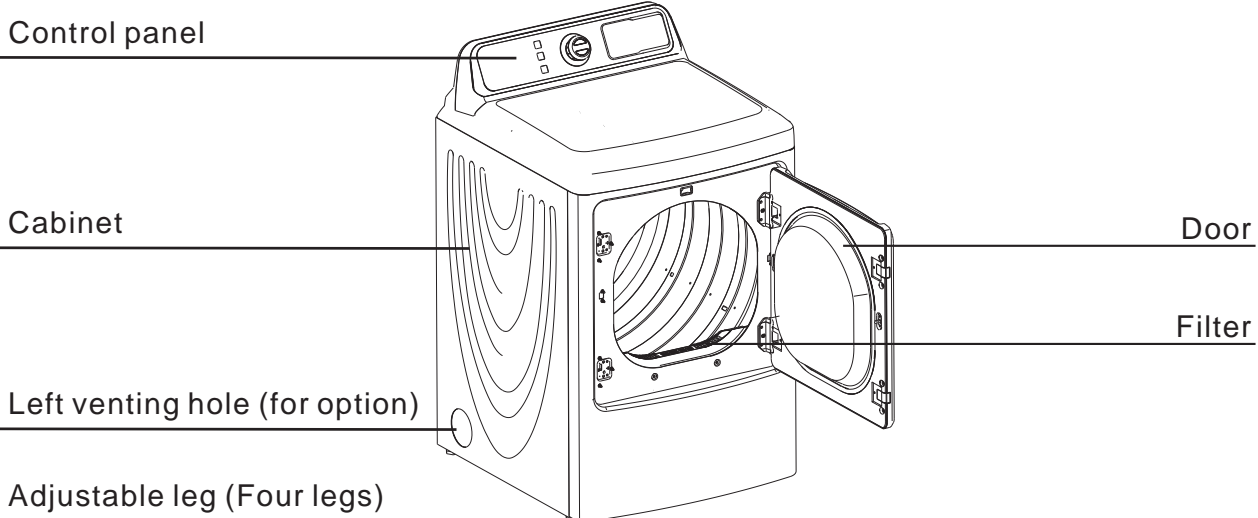
- Certain internal parts are intentionally not grounded and may present a risk of electric shock only during servicing. Service Personnel – Do not contact the following parts while the appliance is energized: inlet valve, control board and temperature-regulating thermistor (located on blower housing).

WARNING

Dryer must be grounded with 3 or 4 wire cord power cord with ground grounding conductor and a grounding plug, which is sold separately.

- The plug must be plugged into an appropriate outlet that is properly installed and grounded in accordance with all local codes and ordinances.
- Do not modify the plug provided with your dryer - if it doesn't fit the outlet, have a proper outlet installed by a qualified electrician.
- If a power cord is not used and the electric dryer is to be permanently wired, the dryer must be connected to a permanently grounded metal wiring system, or an equipment grounding conductor must be run with the circuit conductors and connected to the equipment grounding terminal or lead on the dryer.

PARTS AND FEATURES



REPLACEMENT PARTS AND ACCESSORIES

If your dryer requires replacement parts or accessories, contact the dealer where you purchased your dryer or mail to customerserviceusa@midea.com.



INSTALLATION INSTRUCTIONS

For the proper installation, we recommend that you hire a qualified installer.

REMOVING FROM THE PACKAGE

- Unpack your dryer and inspect it for shipping damage. Make sure you have received all the items shown below.
- To prevent personal injury or strain, wear protective gloves whenever lifting or carrying the unit.

WARNING

Packaging materials can be dangerous to children;

Keep all packaging material (plastic bags, polystyrene, etc.) well out of children's reach.

TOOLS REQUIRED



Phillips screwdriver



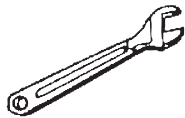
Flat screwdriver



Level



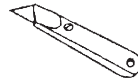
Pliers



Adjustable wrench that opens to 1" (25 mm)



Duct tape



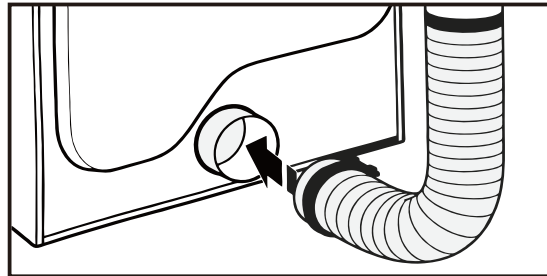
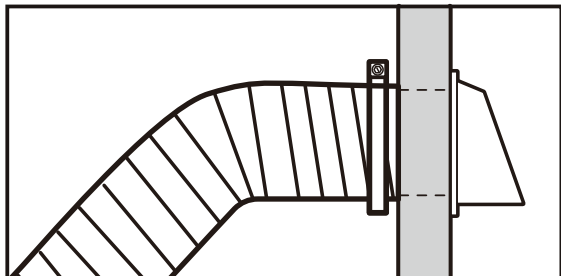
Cutting knife

CHOOSE THE PROPER LOCATION

1. Move your dryer to an appropriate location for the installation. Consider installing the dryer and washer side-by-side, to allow access to the electrical, and exhaust connections. Place two of the carton cushion-tops on the floor. Tip your dryer on its side so it lies across both cushion-tops.
2. Set your dryer back in an upright position.

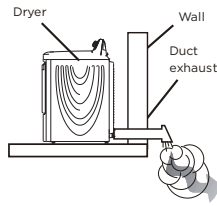
INSTALL THE EXHAUST SYSTEM

1. Review the “Exhausting Requirements” section on before installing the exhaust system.
2. Install the ductwork from your dryer to the exhaust hood. The crimped end of the duct sections must point away from your dryer.
3. DO NOT use sheet metal screws when assembling the ducting.
4. These joints should be taped.
5. Never use plastic flexible exhaust material.
6. Tip for tight installations: install a section of the exhaust system onto your dryer before putting it in place.
7. Use duct tape to secure this section to your dryer, but do not cover the ventilation slots at the back of the unit in dryer cabinet.

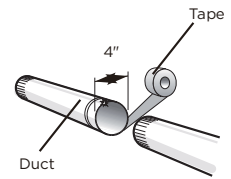


! WARNING

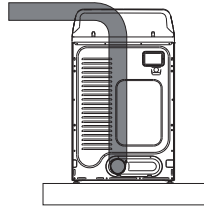
Make sure your dryer is installed properly so it exhausts air easily.



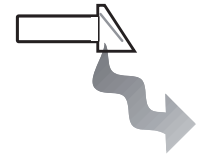
Use a 4" (10.2 cm) diameter rigid metal duct. Tape all joints, including at the dryer. Never use lint-trapping screws.



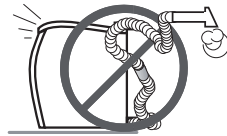
Keep ducts as straight as possible.



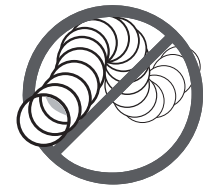
Clean all old ducts before installing your new dryer. Be sure the vent flap opens and closes freely. Inspect and clean the exhaust system annually.



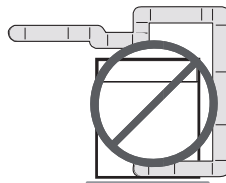
DO NOT restrict your dryer with a poor exhaust system.



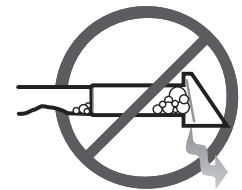
DO NOT use a plastic, thin foil, or non-metal flexible duct.



DO NOT use unnecessarily long ducts that have many elbows.



DO NOT use dented or clogged ducts and vent.

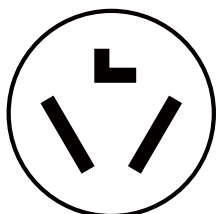


CONNECT THE ELECTRICAL WIRING

Review the “**Electric Requirements**” section on page 15.

BEFORE OPERATING OR TESTING, follow the grounding instructions in the “**Grounding**” section on page 16.

THREE WIRE OUTLET



3-Wire
receptacle
(10-30R)

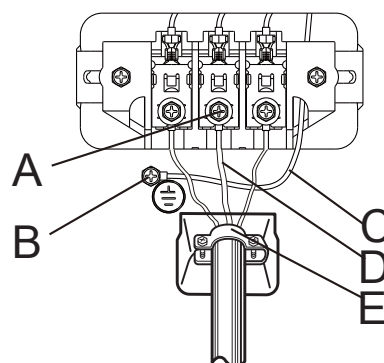
Then choose a 3-wire power supply cord with ring or spade terminals and UL listed strain relief. The 3-wire power supply cord, at least 4 ft. (1.22 m) long, must have 3 10-gauge solid copper wires and match a 3-wire receptacle of NEMA Type 10-30R.

3-Wire system connections

1. Remove the center terminal block screw.
2. Connect the neutral wire (white or center wire) of the power cord to the center terminal screw of the terminal block. Be sure to cross the screw through the ring of the power cord terminal and tighten the screw.
3. Connect the other wires to the outer terminal block screws. Be sure to cross the screw through the terminal ring and tighten the screw.
4. Tighten the strain relief screws.
5. Insert the tab of the terminal block cover into your dryer’s rear panel slot. Secure the cover with a screw.

3-wire system instructions:

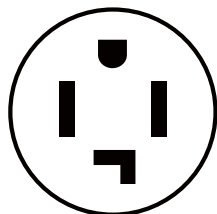
- A Center terminal block screw
- B External ground connector
- C Neutral grounding wire (White)
- D Neutral wire (white or center wire)
- E 3/4" (1.9cm) UL-listed strain relief



WARNING

If converting from a 4-wire electrical system to a 3-wire, the ground strap must be reconnected to the terminal block support to ground the dryer frame to the neutral conductor. Ring-type terminals are recommended. If using strap terminals, make sure they are tightened.

FOUR WIRE OUTLET



4-Wire
receptacle
(14-30R)

Then choose a 4-wire power supply cord with ring or spade terminals and UL listed strain relief. The 4-wire power supply cord, at least 4 ft. (1.22 m) long, must have 4 10-gauge solid copper wires and match a 4-wire receptacle of NEMA Type 14-30 R. The ground wire (ground conductor) may be either green or bare. The neutral conductor must be identified by a white colour.

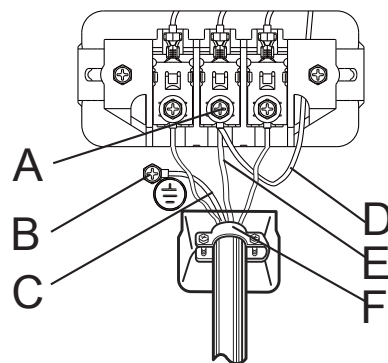
4-Wire system connections

1. Remove the center terminal block screw.
2. Connect the ground wire (green or unwrapped) of the power cord to the external ground conductor screw.
3. Connect the neutral wire (white or center wire) of the power cord and the appliance ground wire (white) under the center screw of the terminal block. Be sure to cross the screw through the ring of the power cord terminal and tighten the screw.
4. Connect the other wires to the outer terminal block screws. Be sure to cross the screw through the terminal ring and tighten the screw.
5. Tighten the strain relief screws.
6. Insert the tab of the terminal block cover into your dryer's rear panel slot. Secure the cover with a screw.

4-wire system instructions:

IMPORTANT: Ring-type terminals are recommended. If using strap terminals, make sure they are tightened.

- A Center terminal block screw
- B External ground connector
- C Green or bare copper wire of the power cord
- D Neutral grounding wire (White)
- E Neutral wire (white or center wire)
- F 3/4" (1.9cm) UL-listed strain relief



 **WARNING**



Electrical Shock Hazard

All U.S. models are produced for a **3-WIRE SYSTEM CONNECTION**.

The dryer frame is grounded to the neutral conductor at the terminal block. A **4-WIRE SYSTEM CONNECTION** is required for new or remodeled construction, mobile homes, or if local codes do not permit grounding through neutral conductor. If the 4-wire system is used, the dryer frame cannot be grounded to the neutral conductor at the terminal block. Refer to the “**Electric Requirements**” section on page 16 for 3-WIRE or 4-WIRE SYSTEM CONNECTIONS.

Remove the terminal block cover plate.

Insert the power cord with a UL-listed strain relief through the hose provided in the cabinet near the terminal block.

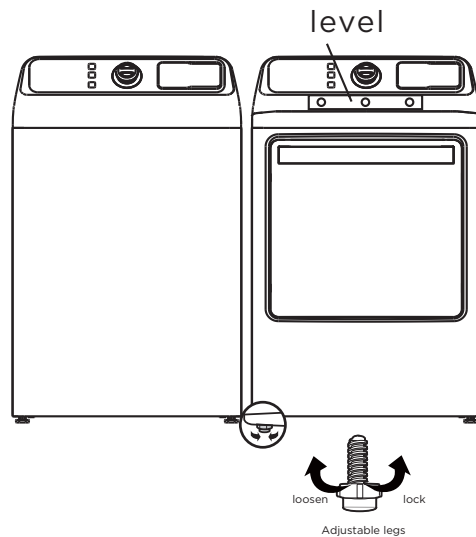
- A strain relief must be used.

Do not loosen the nuts already installed on the terminal block. Be sure they are tight. Use a 3/8" (1 cm) deep-well socket.

LEVEL THE DRYER

To ensure that the dryer provides the optimal drying performance, it must be leveled. To minimize vibration, noise, and unwanted movement, the floor must be a perfectly level, solid surface.

- Adjust the leveling feet only as much as necessary to level the dryer. Extending the leveling feet more than necessary can cause the dryer to vibrate.



POWER ON

Make sure all exhaust and electrical connections are complete. Plug in your dryer.

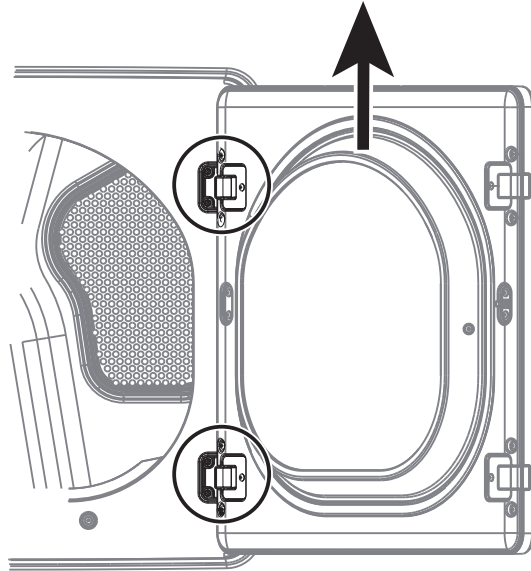
FINAL CHECK

- Make sure the dryer is plugged into an electrical outlet and is properly grounded.
- The exhaust ductwork is hooked up and the joints are taped.
- A plastic flexible duct **CAN NOT BE USED**.
- Use rigid or stiff-walled flexible metal vent material.
- The dryer is leveled and is sitting firmly on the floor.
- Start your dryer to confirm that it runs, heats, and shuts off.

DOOR REVERSAL PROCEDURE

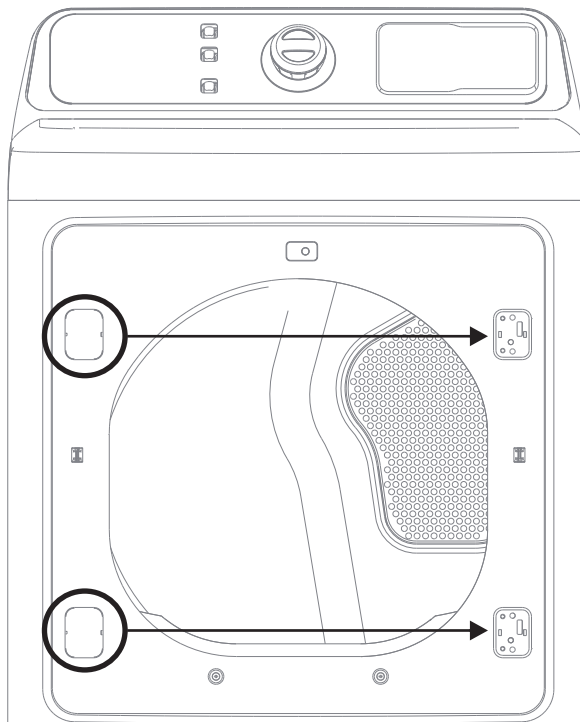
Step 1: Remove the dryer door

- 1 Make sure that the power cord is unplugged.
- 2 While supporting the door, remove the four hinge screws from the door, then lift the door to remove it and set the door aside.



*Step 2: Move **the** door hinges covers*

- 1 Use a flat-blade screwdriver to remove the two hinge covers from the side that you want the door to swing from.



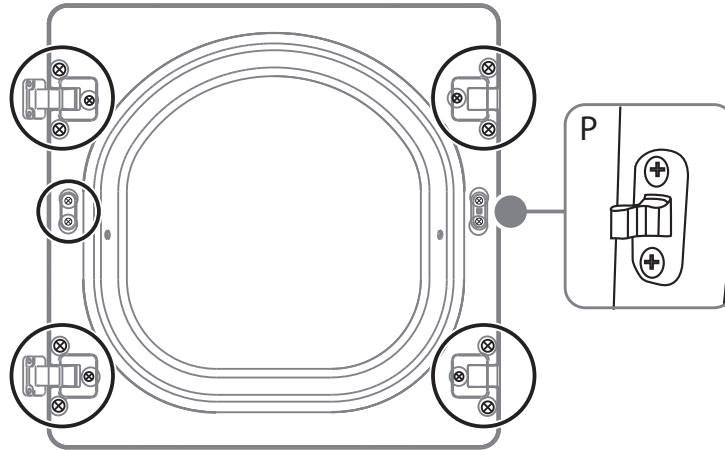
- 2 Install the two hinge covers on the opposite side.

Step 3: Rotate the **d**oor frame

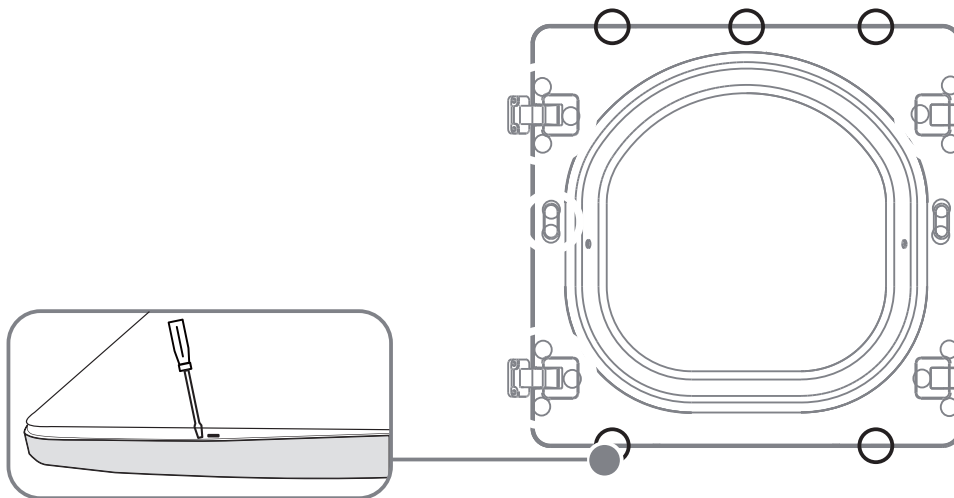
- 1 Remove the 16 screws that hold the door frame to your dryer.

Note

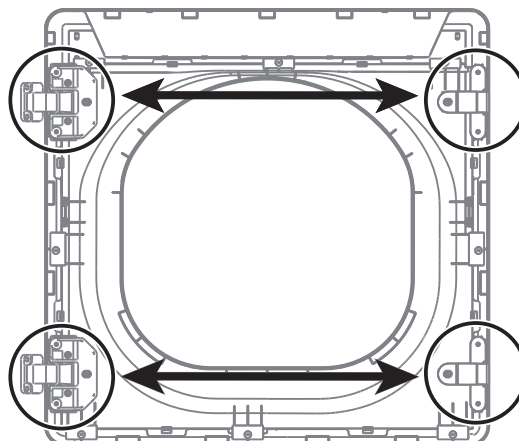
Two of the screws secure the door latch (P) to the door frame. You will need to attach the latch when you reassemble the door.



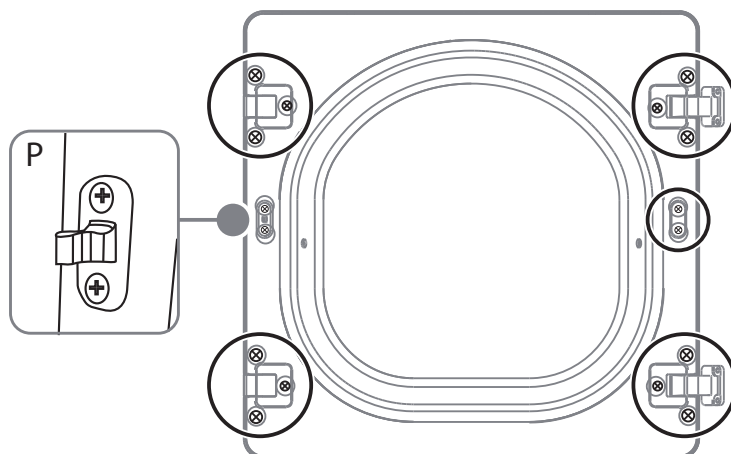
- 2 Use a flat-head screwdriver to pry open the 5 tabs, pull the inside door panel from the outside door panel.



- 3 Move the hinges, hinge covers, and door latch to the other side of the door.

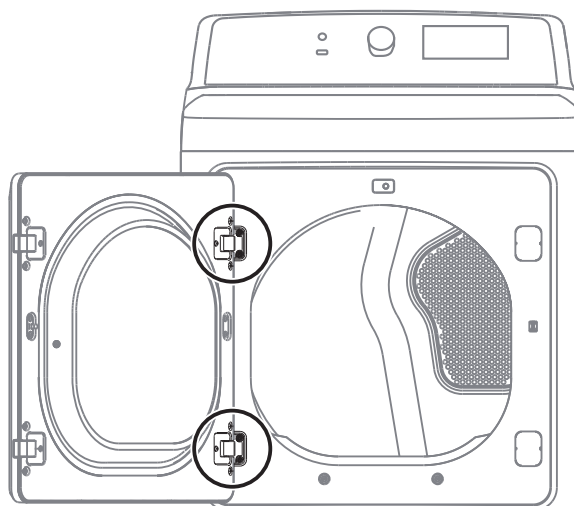


- Secure the door frame to your dryer using the 16 screws you removed in Step 1. Make sure that you attach the door latch (P) with two of the screws.



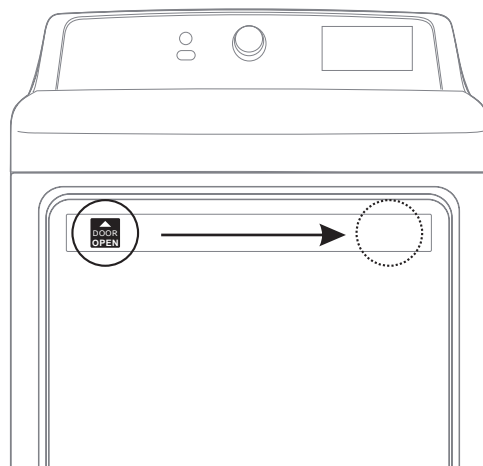
Step 4: Install the dryer door on the other side

- Align the hinges on the door with the hinge screw holes on the front of your dryer.



- Secure the door with the four screws you removed in Step 1: Remove the dryer door

*Step 5: Replace **the door** sticker on the other side*

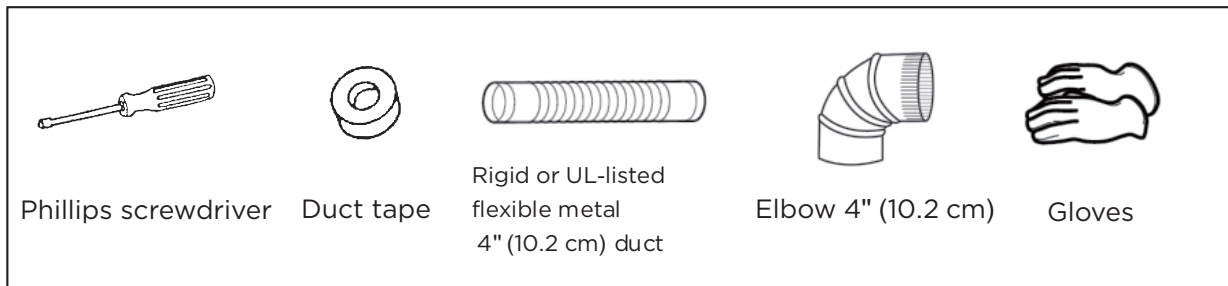


CHANGE THE DRYER VENT LOCATION

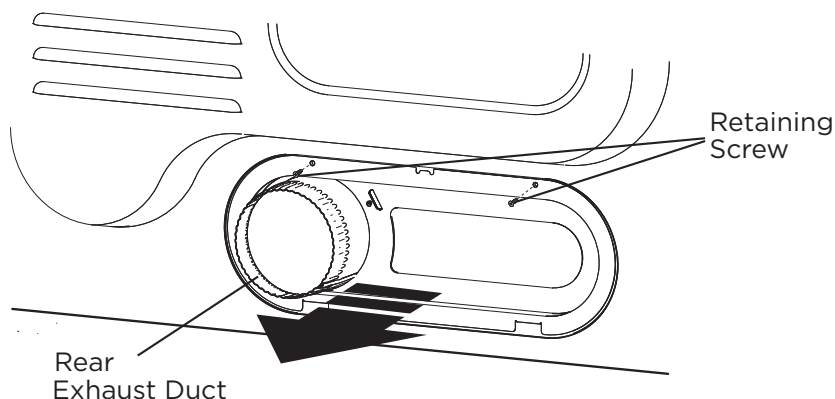
Your new dryer is shipped to vent to the rear. It can also be configured to vent to the bottom or left side (as seen from the front).

An Adapter kits which are standard components can be purchased from any retailer. This kit contains the necessary duct components to change the dryer vent location.

Tools and materials you will need

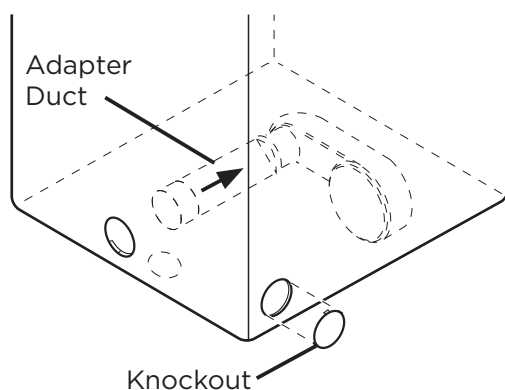


1. Remove the rear exhaust retaining screws. Pull out the exhaust duct.

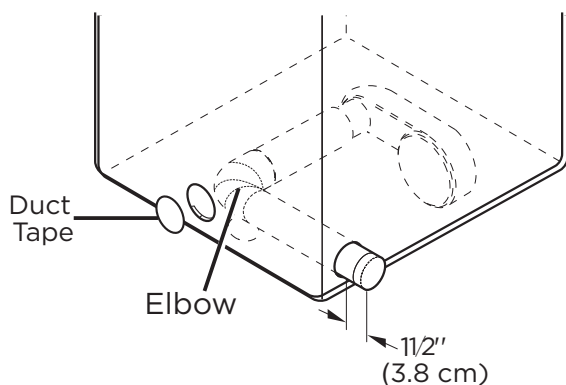


Option 1: Side venting

2. Press the tabs on the knockout and carefully remove the knockout for the desired vent opening. Attach the adapter duct onto the blower housing of the dryer as shown.

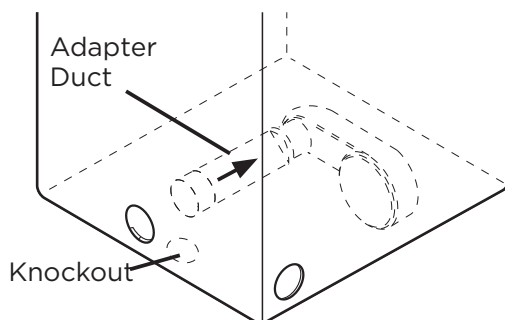


3. Preassemble a 4 inches (10.2cm) elbow to the next 4 inches (10.2cm) duct section, and secure all joints with duct tape. Be sure that the male end of the elbow faces AWAY from the dryer. Insert the elbow/duct assembly through the side opening and attach it onto the adapter duct. Secure in place with duct tape. Be sure that the male end of the duct protrudes 1.5 inches (3.8cm) to connect the remaining ductwork. Attach duct tape to the back of the dryer.

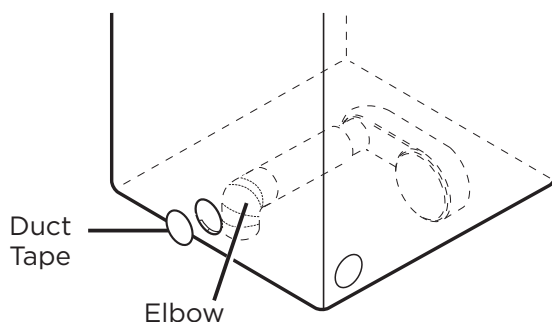


Option 2: Bottom venting

2. Press the tabs on the knockout and carefully remove the knockout for the desired vent opening. Attach the adapter duct onto the blower housing of the dryer as shown.

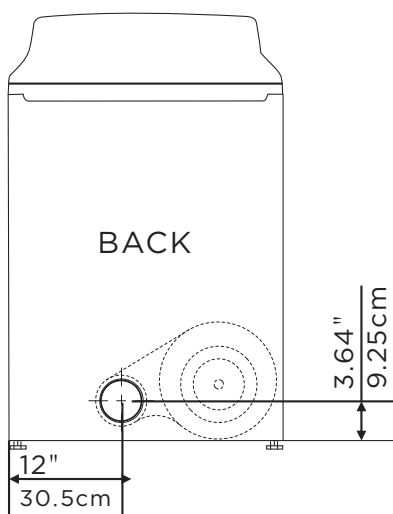


3. Insert the 4 inches (10.2cm) elbow through the rear opening and attach it onto the adapter duct. Be sure that the male end of the elbow faces down through hole in the bottom of the dryer. Secure in place with duct tape. Attach duct tape to the back of the dryer.

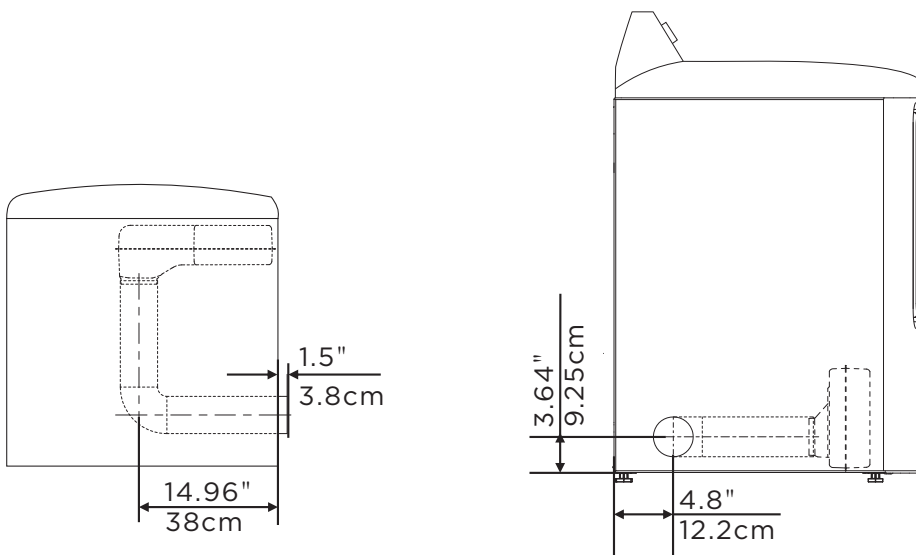


Dimensions for installation

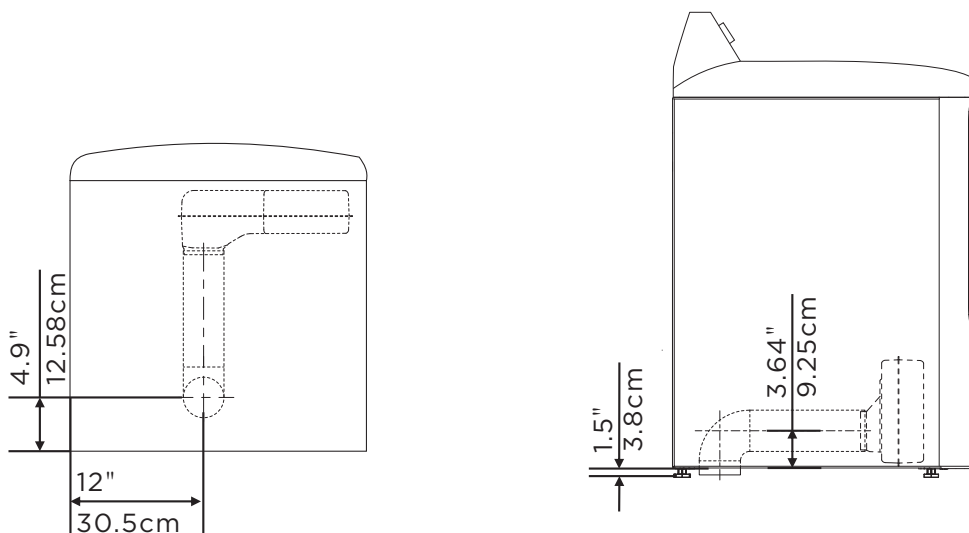
- Rear Venting (Default)



- Side Venting



- Bottom Venting

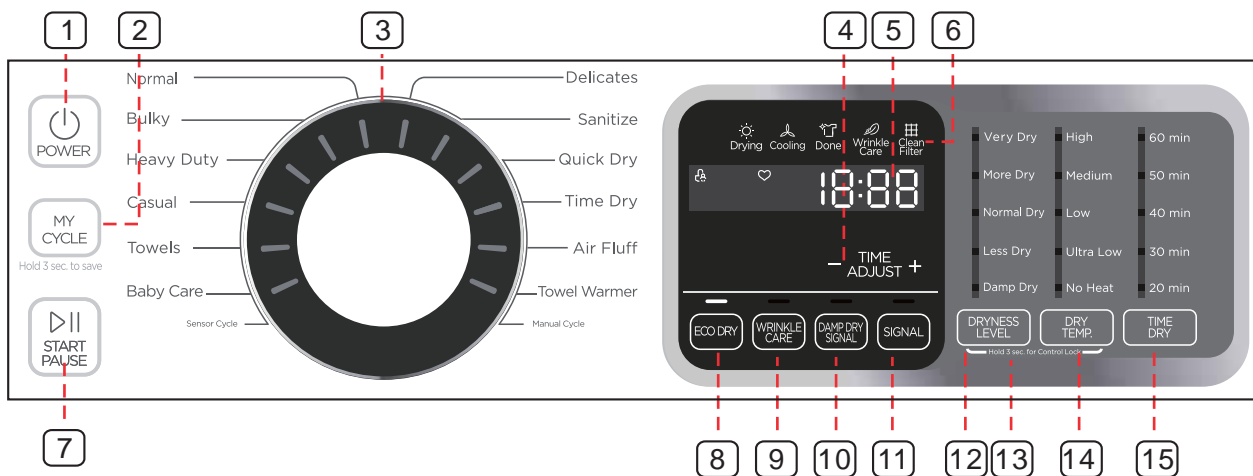


DRYER USE

CONTROL PANEL

WARNING

To reduce the risk of fire, electric shock, or injury to persons, read the IMPORTANT SAFETY INSTRUCTIONS before operating the appliance.



1 POWER

Press to turn your dryer on or off. If your dryer is on for more than 10 minutes without any buttons being pressed, it automatically turns off.

2 MY CYCLE

Press and hold for 3 seconds to remember your favourite drying cycle. Press once to load your favourite cycle setting.

3 Cycle selector

Select your desired cycle for the type of load.

The cycle you select determines the heat control for the cycle.

The Normal, Delicates, Bulky, Heavy Duty, Casual, Towels, Baby Care and Sanitize cycles are Sensor Dry cycles.

The Air Fluff, Time Dry, Quick Dry and Towel Warmer cycles are Manual Dry cycles.

FOLLOW CLOTHES LABEL RECOMMENDATIONS.

4 TIME ADJUST

These buttons are effective only for Manual cycles. Push these buttons to change the drying time you prefer. Push repeatedly to get your desired drying time.

5 Digital display

This digital will display the time of cycle you are setting or remaining time of cycle operating.

6 Cycle status display

The relative indicator graphic or text will be lit when the dryer is in its drying program. When the whole program is finished, the “Done” indicator graphic will flash to remind you to unload your laundry.

7 START/PAUSE

Press to start or pause the program. You can't change any setting except add a garment.

8 ECO DRY

Press to select the Eco Dry cycle. The Eco Dry cycle is a power saving mode that reduces power while providing efficient drying performance.

9 WRINKLE CARE

Press once to add the Wrinkle Care step into the operating program.

Press again to cancel selection.

Wrinkle Care provides approximately 90 minutes of intermittent tumbling in unheated air at the end of the cycle to reduce wrinkling. The load is already dry, and can be removed at any time during the Wrinkle Care cycle.

10 DAMP DRY SIGNAL

This function is useful when you want to take some garments out for ironing. The unit will beep 6 times when the moisture in the clothes is good for ironing. At this time, you can take those garments out and continue drying the other by pressing the “START/PAUSE” button once.

NOTE: The unit will not stop operating if you don't take those garments out for ironing.

11 SIGNAL

Press once to stop the buzzer sound.

Press again to activate the sound.

Your selection will be kept until next pressing.

12 DRYNESS LEVEL

Press the button to select the dryness level. Different dryness level will result in different drying time. For clothes to be ironed manually, a lower dryness level should be selected.

13 Control lock

Press the “DRYNESS LEVEL” and “DRY TEMP.” together to activate the Control lock function. Press again for another 3 seconds to deactivate the function. All buttons except the “POWER” will be out of function when Control lock is activated.

14 DRY TEMP.

Press the button to select the drying temperature.

High - For sturdy cottons or those labeled Tumble Dry.

Medium - For permanent press, synthetics, lightweight cottons, or items labeled Tumble Dry Medium.

Low - For lower heat than Medium to dry synthetic or washable knit fabrics.

Ultra Low - For heat sensitive items labeled Tumble Dry Low or Tumble Dry Warm.

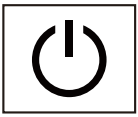
No Heat - Provides just the air cycle without any heat.

15 TIME DRY

This button is a quick selection for Time Dry setting.

DRYING A LOAD OF LAUNDRY

1. Power on your dryer.

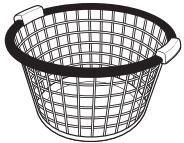


- Press this Power button to power your dryer on.



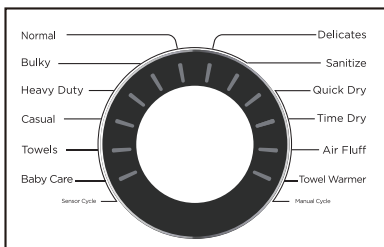
- The “Clean Filter” light in the process bar will flash 10 times when your dryer is powered on
- You should clean the filter before the dryer is loaded.

2. Load your dryer.



- Place only one wash load in your dryer at a time.
- Mixed loads of heavy and light weight fabrics will dry differently, which may result in lightweight fabrics being dry while heavy fabrics remain damp at the end of a drying cycle.
- Add one or more similar items to your dryer when only one or two articles of clothing need drying. This improves the tumbling action and drying efficiency.
- Overloading restricts tumbling action, resulting in uneven drying as well as excessive wrinkling of some fabrics.

3. Select the appropriate cycle and options for the load.



- Select the appropriate cycle by using the Cycle Selector according to the cycle chart on page 38.
- Select the appropriate options by using buttons according to the chart on page 38.



- **Your favourite drying Cycle**
Once you have set the cycle selector and option function, you can push and hold the “**MY CYCLE**” button for 3 seconds to save this setting as your favourite cycle before starting the unit.
- When you want to use your saved cycle and settings again, press the “**MY CYCLE**” button.

4. Start your dryer.



Pressing **START/PAUSE** button will start the selected cycle. To **PAUSE** cycle press **START/PAUSE** button then open the door. To resume operation after closing the door always press **START/PAUSE**. Opening the door during the operation will instantly stop operation and will require pressing the **START/PAUSE** button to resume operation.

Cycle	Fabric type	Dry Temp	Dryness Level	Time Dry	WRINKLE CARE	DAMP DRY SIGNAL	TIME ADJUST	ECO DRY	Default time	Wet load max amount
Normal	Cotton Under wear Linen	High	Very Dry	N	Y	Y	N	Y	63min	
			More Dry			N				
			Normal Dry							
			Less Dry							
			Damp Dry							
Bulky	Blankets Sheets Comforters	Medium	Very Dry	N	Y	N	N	Y	58min	
			More Dry							
			Normal Dry							
			Less Dry							
			Damp Dry							
Casual	Wrinkle-free cottons synthetic fabrics knits	Medium	Very Dry	N	Y	Y	N	Y	31min	
			More Dry			N				
			Normal Dry							
			Less Dry							
			Damp Dry							
Towels	Towels Heavy cottons	High	Very Dry	N	Y	Y	N	Y	55min	
			More Dry			N				
			Normal Dry							
			Less Dry							
			Damp Dry							
Heavy Duty	Jeans Corduroys Work clothes	High	Very Dry	N	Y	Y	N	Y	68min	
			More Dry			N				
			Normal Dry							
			Less Dry							
			Damp Dry							
Baby Care	Children's clothing	High	Very Dry	N	Y	N	N	N	42min	
			More Dry							
			Normal Dry							
Sanitize	Bedding Curtains	High	Very Dry	N	Y	N	N	N	65min	
Delicates	Sensitive items	Low	Very Dry	N	Y	Y	N	Y	23min	
			More Dry			N				
			Normal Dry							
			Less Dry							
			Damp Dry							
Air Fluff		No Heat	/	Y	N	N	Y	N	20min	
Time Dry	/	High	/	Y	Y	N	Y	N	40min	
		Medium								
		Low								
		Ultra Low								
		No Heat								
Quick Dry		High	/	Y	Y	N	Y	Y	30min	
		Medium								
		Low								
		Ultra Low								
		No Heat								
Towel Warmer	Towels	High	/	Y	N	N	Y	N	20min	
		Medium								
		Low								
		Ultra Low								
		No Heat								

* Table in grey is an initial setting. "Y" are all optional functions you can select.


* For even better drying effect, please select higher dryness level.

* Default times can change automatically depending on moisture content of your specific load.


* FOLLOW GARMENTS LABELS REQUIREMENTS.

Load Size Recommendations:

For best results, follow the wet load size recommendations noted for each cycle.

 **Small load:** Fill the dryer drum with 3-4 items, not more than 1/4 full.

 **Medium load:** Fill the dryer drum up to about 1/2 full.

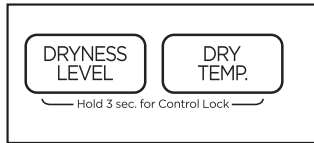
 **Large load:** Fill the dryer drum up to about 3/4 full. Do not overload. Items need to tumble freely.

5. Unloading your laundry.



- After the cycle is done, the “Done” light will flash, and the dryer will beep 6 times.

CONTROL LOCK



Your dryer has a control lock feature to prevent children from playing with your dryer. When you turn on the control lock, the only button that works is “**POWER**”.

- You can turn on your dryer, set this function, then turn it off.
- When you do so, even if the unit is powered on, you still cannot start it before the Control Lock function is deactivated.
- This function will not be cancelled if your unit loses power, such as when you unplug it or the power turns off.

Press and hold both the “**DRYNESS LEVEL**” and “**DRY TEMP.**” buttons for three seconds.

The control lock icon turns on.

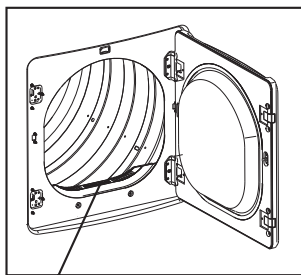
To turn off the control lock, press and hold both the “**DRYNESS LEVEL**” and “**DRY TEMP.**” buttons for three seconds.

ECO DRY



- This function will reduce the energy consumption by reducing drying temp but increasing operation time.

FILTER CLEAN



Lint filter

To prevent a risk of fire, make sure to clean the lint filter before or after every load.

- To shorten drying time.
- For better performance and energy efficiency.



CAUTION

- Do not operate your dryer without the lint filter in place.
- Do not use a damage or broken lint filter. This may reduce performance and/or cause fire.

SPECIAL LAUNDRY TIPS

Please follow the care label or manufacturer's instructions for drying special items. If care label instructions are not available, use the following information as a guide.

Items	Drying guide
Bedspreads & Comforters	<ul style="list-style-type: none"> Follow the care label instructions or dry in Bulky cycle. Make sure the item is thoroughly dry before using or storing. May require repositioning to ensure even drying.
Blankets	<ul style="list-style-type: none"> Use the Normal cycle and dry only one blanket at a time for best tumbling action. Make sure the item is thoroughly dry before using or storing. May require repositioning to ensure even drying.
Curtains & Draperies	<ul style="list-style-type: none"> Use the Casual cycle, medium temperature and less dry to help minimize wrinkling. Dry these in small loads for best results and remove as soon as possible.
Cloth Diapers	<ul style="list-style-type: none"> Use the Normal cycle on High temperature for soft fluffy diapers.
Down Filled Items (jackets, sleeping bags, comforters, etc.)	<ul style="list-style-type: none"> Use the Normal cycle on medium temperature. Add a couple of dry towels to shorten drying time and absorb moisture.
Foam Rubber (rug backs, stuffed toys, shoulder pads, etc.)	<ul style="list-style-type: none"> DO NOT dry on a heat setting. Use the Air Fluff cycle (no heat). <p>WARNING: Drying a rubber item with heat may damage it or create a fire hazard.</p>
Pillows	<ul style="list-style-type: none"> Use the Normal cycle. Add a couple of dry towels and a pair of clean sneakers to help the tumbling action and to fluff the item. <p>DO NOT dry kapok or foam pillows in the dryer. You can dry these items in the dryer as long as you use the air fluff cycle.</p>
Plastics (shower curtains, outdoor furniture covers, etc.)	<ul style="list-style-type: none"> Use the Air fluff cycle or the Time Dry cycle on the Low or Ultra Low temperature setting depending on the care label instructions.

Items NOT to dry:

- Fiberglass items (curtains, draperies, etc.)
- Woolens, unless recommended on the label.
- Items spotted or soaked with vegetable or cooking oils.

DRYER CARE

WARNING

- Certain internal parts are intentionally not grounded and may present a risk of electric shock only during servicing. Service Personnel – Do not contact the following parts while the appliance is energized: inlet valve, control board and temperature-regulating thermistor (located on blower housing).

CLEANING AND MAINTENANCE

CONTROL PANEL

- Clean with a soft, damp cloth. Do not use abrasive substances.
- Do not spray cleaners directly on the panel.
- The control panel finish may be damaged by some laundry pre-treatment soil and stain remover products. Apply such products away from your dryer and wipe up any spills or overspray immediately.

STAINLESS STEEL OR ANODIZED DRUM

- To clean the stainless steel or anodized drum, use a damp cloth with a mild, non-abrasive cleaner suitable for stainless steel and anodized surfaces.
- Remove the cleaner residue and dry with a clean cloth.

DRYER EXTERIOR

- Clean with a soft, damp cloth. Do not use abrasive substances.
- Protect the surface from sharp objects.
- Do not place any heavy or sharp objects or a detergent box on the dryer. Keep them on the purchased pedestal or in a separate storage box. This may scratch or damage the top cover of the dryer.
- Since the entire dryer has a high-gloss finish, the surface can be scratched or damaged.
- Avoid scratching or damaging the surface when using the dryer.

DRYER EXHAUST SYSTEM

- Should be inspected and cleaned yearly to maintain optimum performance.
- Disconnect the exhaust duct from the dryer and from the exhaust hood (at the exhaust outlet) outside of the building.
- Check the interior of the duct and remove any lint accumulation.
- Be sure that lint is removed from the exhaust hood. Lint may collect in the exhaust hood so that the flappers or louvers will not open or close completely.

- After cleaning the exhaust hood, check that the flapper or louvers move freely.
- Reassemble the exhaust duct and hood, checking that the joints are secure and sealed.
- Operate the dryer and verify that the exhaust air is not obstructed in the vent and that there are no leaks in the system.
- The outside exhaust hood should be cleaned more frequently to ensure proper operation.

TROUBLESHOOTING

CHECK THESE SOLUTIONS IF YOUR DRYER...

If your dryer has any of the following problems, you can check the solutions listed below before making a service call. This will help you save time and money.

Problem	Solution
The unit doesn't start.	<ul style="list-style-type: none"> • Make sure the door is latched shut. • Be sure the power cord is plugged into a live electrical outlet. • Check the home's circuit breaker and fuses. • Press the Start/Pause button again if the door is opened during the cycle.
The unit doesn't heat.	<ul style="list-style-type: none"> • Check the home's circuit breaker and fuses. • Select a heat setting other than Air fluff and check that the Temp selection is not on "No heat". • Clean the lint filter and exhaust duct. • Dryer may have moved into the cool-down process of the cycle.
Doesn't dry.	<ul style="list-style-type: none"> • Check all of the above, plus... • Be sure the exhaust hood outside the home can open and close freely. • Check exhaust system for lint buildup. Ducting should be inspected and cleaned annually. • Use a 4" rigid metal exhaust duct. • Do not overload. 1 wash load = 1 dry load. • Sort heavy items from lightweight items. • Large, bulky items like blankets or comforters may require repositioning to ensure even drying. • Load may be too small to tumble properly. Add a few towels.

Problem	Solution
<p>The unit is noisy.</p>	<ul style="list-style-type: none"> • Check the load for objects such as coins, loose buttons, nails, broken zips, etc. Remove promptly. • It is normal to hear the dryer heating element cycle on and off during the drying cycle. • Be sure the dryer is leveled properly as outlined in the installation instruction. • It is normal for the dryer to hum due to the high velocity of air moving through the dryer drum and exhaust system.
<p>Clothes are unevenly dried.</p>	<ul style="list-style-type: none"> • Seams, pockets, and other similarly heavy areas may not be completely dry when the rest of the load has reached the selected dryness level. This is normal. Select the Extra Dry setting if desired. • If one heavy item is dried with a lightweight load, such as one towel with sheets, it is possible that the heavy item will not be completely dry when the rest of the load has reached the selected dryness level. Sort heavy items from lightweight items for best drying results.
<p>Shuts off before load is dry.</p>	<ul style="list-style-type: none"> • Dryer load is too small. Add more items or a few towels and restart the cycle. • Dryer load is too large. Remove some items and restart the dryer.
<p>The unit has a special odour</p>	<ul style="list-style-type: none"> • Household odours from painting, varnishing, strong cleaners, etc. may enter the dryer with surrounding room air. This is normal as the dryer draws the air from surrounding air space of the dryer locations. • When these odours linger in the air, ventilate the room completely before using the dryer.
<p>Odours remain in clothing after refresh</p>	<ul style="list-style-type: none"> • Fabrics containing strong odours should be washed utilizing desired wash cycle.
<p>Garments still wrinkled after Wrinkle-prevent</p>	<ul style="list-style-type: none"> • Small loads of 1 to 4 items work best. • Load fewer garments. Load similar-type garments.
<p>Lint on clothes</p>	<ul style="list-style-type: none"> • Clean lint filter before every cycle. • Some fabrics are lint producers (for example, a fuzzy white cotton towel) and they should be dried separately from clothes that are lint trappers (for example, a pair of black linen pants). • Divide larger loads into smaller loads for drying. • Check pockets thoroughly before washing and drying clothes.



ERROR CODES

Error Code	Possible Cause	Solutions
E9	The PCB failed.	Call the service center for help do not use dryer.
E4	The humidity sensor failed.	The unit will complete the current operating cycle but garments could be over dried. The unit can still operate under the Time Cycles. Call the service center for help.
E5	The temperature sensor failed.	Call the service center for help do not use dryer.

Dryer
Safety

Operation
Requirements

Parts and
Features

Installation
Instructions

Dryer Use

Dryer Care

Troubleshooting

















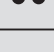


















Appendix



APPENDIX

FABRIC CARE CHART

The following symbols provide garment care direction. The Clothing care labels include symbols for washing, bleaching, drying and ironing, or dry cleaning when necessary. The use of symbols ensures consistency among garment manufacturers of domestic and imported items. Follow care label directions to maximize garment life and reduce laundering problems.

Wash Cycle		Special Instructions		Warning Symbols for Laundering	
	Normal		Line Dry/Hang to Dry		Do Not Wash
	Permanent Press / Wrinkle Resistant / Wrinkle Control		Drip Dry		Do Not Wring
	Gentle/Delicates		Dry Flat		Do Not Bleach
	Hand Wash	Heat Setting			Do Not Tumble Dry
Water Temperature**			High		No Steam (added to iron)
	Hot		Medium		Do Not Iron
	Warm		Low	Dryclean	
	Cold		Any Heat		Dry Clean
Bleach			No Heat/Air		Do Not Dry Clean
	Any Bleach (when needed)	Iron-Dry or Steam Temperatures			Line Dry/ Hang to Dry
	Only Non-Chlorine (color-safe) Bleach (when needed)		High		Drip Dry
	Tumble Dry Cycle		Medium		Dry Flat
Normal			Low		
	Permanent Press / Wrinkle Resistant / Wrinkle Control		For machine-washable wool. Loads should be under 8 pounds.		
	Gentle/ Delicates				

**The number of dots represent appropriate wash water temperatures for various items. The temperature range for Hot is 105°-125°F/41°-52°C, for Warm 85°-105°F/29°-41°C and for Cold 60°-85°F/16°-29°C.



MIDEA LAUNDRY DRYER LIMITED WARRANTY

ATTACH YOUR RECEIPT HERE. PROOF OF PURCHASE IS REQUIRED TO OBTAIN WARRANTY SERVICE.

Please have the following information available when you call the Customer Service Centre:

- Name, address and telephone number
- Model number and serial number
- A clear, detailed description of the problem
- Proof of purchase including dealer or retailer name and address, and date of purchase

IF YOU NEED SERVICE:

1. Before contacting us to arrange service, please determine whether your product requires repair. Some questions can be addressed without service. Please take a few minutes to review the Troubleshooting section of the User Manual, or email customerserviceusa@midea.com.
2. All warranty service is provided exclusively by our authorized Midea Service Providers, in the U.S. and Canada.

Midea Customer Service

In the U.S.A. or Canada, call 1-866-646-4332 or email customerserviceusa@midea.com.

If outside the 50 States of the United States or Canada, contact your authorized Midea dealer to determine whether another warranty applies.

LIMITED WARRANTY

WHAT IS COVERED

FIRST YEAR LIMITED WARRANTY (PARTS AND LABOUR)

For one year from the date of purchase, if this major appliance is installed, operated and maintained according to instructions attached to or furnished with the product, Midea America (Canada) Corp. (hereafter "Midea") will pay for factory specified replacement parts and repair labour to correct defects in materials or workmanship that existed when this major appliance was purchased, or at its sole discretion replace the product. In the event of product replacement, your appliance will be warranted for the remaining term of the original unit's warranty period.

YOUR SOLE AND EXCLUSIVE REMEDY UNDER THIS LIMITED WARRANTY SHALL BE PRODUCT REPAIR OR REPLACEMENT AS PROVIDED HEREIN. Service must be provided by a Midea designated service company. This limited warranty is valid only in the 50 States of the United States or Canada and applies only when the major appliance is used in the country in which it was purchased. This limited warranty is effective from the date of original consumer purchase. Proof of original purchase date is required to obtain service under this limited warranty.

LIMITED WARRANTY

WHAT IS NOT COVERED

1. Commercial, non-residential or multiple-family use, or use inconsistent with published user, operator or installation instructions.
2. In-home Instruction on how to use your product.
3. Service to correct improper product maintenance or installation, installation not in accordance with electrical codes or correction of household electrical system (i.e. house wiring, fuses, etc.).
4. Consumable parts (i.e. light bulbs, batteries, air or water filters, etc.).
5. Defects or damage caused by the use of non-genuine Midea parts or accessories.
6. Damage from accident, misuse, abuse, fire, floods, electrical issues, acts of God or use with products not approved by Midea.
7. Repairs to parts or systems to correct product damage or defects caused by unauthorized service, alteration or modification of the appliance.
8. Cosmetic damage including scratches, dents, chips, and other damage to appliance finishes unless such damage results from defects in materials and workmanship and is reported to Midea within 30 days.
9. Routine maintenance of the product.
10. Products that were purchased "as is" or as refurbished products.
11. Products that have been transferred from its original owner.
12. Discoloration, rust or oxidation of surfaces resulting from caustic or corrosive environments including but not limited to high salt concentrations, high moisture or humidity or exposure to chemicals.
13. Pick-up or delivery. This product is intended for in-home repair.
14. Travel or transportation expenses for service in remote locations where an authorized Midea servicer is not available.
15. Removal or reinstallation of inaccessible appliances or built-in fixtures (i.e. trim, decorative panels, flooring, cabinetry, islands, countertops, drywall, etc.) that interfere with servicing, removal or replacement of the product.
16. Service or parts for appliances with original model/serial numbers removed, altered or not easily identified.

The cost of repair or replacement under these excluded circumstances shall be borne by the customer.

DISCLAIMER OF IMPLIED WARRANTIES

IMPLIED WARRANTIES, INCLUDING ANY IMPLIED WARRANTY OF MERCHANTABILITY OR IMPLIED WARRANTY OF FITNESS FOR A PARTICULAR PURPOSE, ARE LIMITED TO ONE YEAR OR THE SHORTEST PERIOD ALLOWED BY LAW. Some states and provinces do not allow limitations on the duration of implied warranties of merchantability or fitness, so this limitation may not apply to you. This warranty gives you specific legal rights, and you also may have other rights that vary from state to state or province to province.

DISCLAIMER OF REPRESENTATIONS OUTSIDE OF WARRANTY

Midea makes no representations about the quality, durability, or need for service or repair of this major appliance other than the representations contained in this warranty. If you want a longer or more comprehensive warranty than the limited warranty that comes with this major appliance, you should ask Midea or your retailer about buying an extended warranty.

LIMITATION OF REMEDIES; EXCLUSION OF INCIDENTAL AND CONSEQUENTIAL DAMAGES

YOUR SOLE AND EXCLUSIVE REMEDY UNDER THIS LIMITED WARRANTY SHALL BE PRODUCT REPAIR AS PROVIDED HEREIN. MIDEA SHALL NOT BE LIABLE FOR INCIDENTAL OR CONSEQUENTIAL DAMAGES. Some states and provinces do not allow the exclusion or limitation of incidental or consequential damages, so these limitations and exclusions may not apply to you. This warranty gives you specific legal rights, and you also may have other rights that vary from state to state or province to province.



Midea REGISTRATION INFORMATION

PROTECT YOUR PRODUCT:

We will keep the model number and date of purchase of your new Midea product on file to help you refer to this information in the event of an insurance claim such as fire or theft.

Register online at www.midea.com/ca/support/Product-registration

OR

Please fill out and return it to the following address:

Midea America Corp. 759 Bloomfield Ave #386, West Caldwell, NJ 07006-6701

----- (detach here) -----

Name:	Model#:	Serial #:
	Card:	
Address:	Date Purchased:	Store / Dealer Name:
City:	State:	Zip:
E-mail Address:		
Area Code:	Phone Number:	
Did you purchase an additional warranty:	As your Primary Residence? (Y/N)	
How did you learn about this product:		
<input type="checkbox"/> Advertising <input type="checkbox"/> In Store Demo <input type="checkbox"/> Personal Demo		

Information collected or submitted to us is only available to company internal employees for purposes of contacting you or sending you emails, based on your request for information and to company service providers for purposes of providing services relating to our communications with you. All data will not be shared with other organizations for commercial purposes.

Midea America (Canada) Corp.
 Markham, ON L3R 8V2
 Customer Service 1-866-646-4332

Made in China



fr

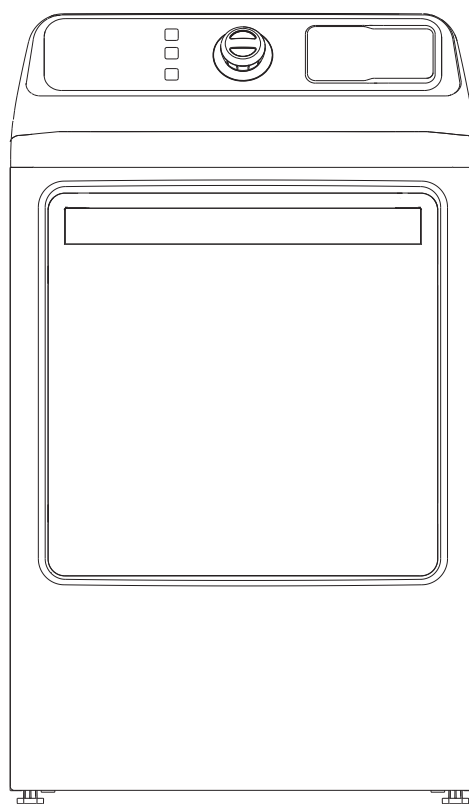
Sécheuse électrique

Alimentation électrique :
120/240 V
Fréquence : 60 Hz

Avertissement :
Avant d'utiliser ce produit, veuillez lire ce manuel attentivement et le conserver à titre de référence ultérieure. La conception et les spécifications peuvent être modifiées sans préavis pour l'amélioration des produits. Consultez votre concessionnaire ou votre fabricant pour plus de détails.

version A

MANUEL D'UTILISATION ET INSTRUCTIONS D'INSTALLATION



NUMÉROS DE MODÈLE
MLE45N1BWWC
MLE45N3BWWC
www.midea.com/ca

Cher utilisateur

MERCI and **FÉLICITATIONS** à l'achat de ce produit Midea de haute qualité. Votre sècheuse Midea est conçue pour offrir un rendement fiable et sans problème. Veuillez prendre un moment pour enregistrer votre nouvelle sècheuse.

Enregistrez votre nouvelle sècheuse à

www.midea.com/ca/support/Product-registration

Pour référence future, notez votre modèle de produit et les numéros de série situés sur le cadre intérieur de la sècheuse.

Numéro de modèle _____

Numéro de série _____

SÉCURITÉ DE LA SÈCHEUSE.....	4
EXIGENCES OPÉRATIONNELLES.....	8
Important pour l'installateur	8
Exigences de base	9
Exigences relatives à l'emplacement.....	9
Exigences relatives à la conduite	12
Exigences relatives à l'épuisement	14
Exigences électriques.....	15
Mise à la terre.....	16
PIÈCES ET CARACTÉRISTIQUES.....	17
Pièces de rechange et accessoires.....	17
INSTRUCTIONS D'INSTALLATION	18
Retrait du colis	18
Outils requis.....	18
Choisir l'emplacement approprié	19
Installation du système d'échappement.....	20
Connecter le câblage électrique	21
Niveau de la sècheuse	24
Mise sous tension	24
Vérification finale.....	24
Procédure d'inversion de porte	25
Changer l'emplacement de l'évent de la sècheuse	28

UTILISATION DE LA SÉCHEUSE.....	31
Panneau de commande.....	31
Séchage d'une brassée de lessive	34
Conseils spéciaux pour la lessive	38
ENTRETIEN DES SÉCHEURS.....	39
Nettoyage et entretien	39
DÉPANNAGE	40
Vérifiez ces solutions si votre sécheuse	40
Codes d'erreur	42
ANNEXE	43
Tableau des soins de tissus	43
GARANTIE	44
RENSEIGNEMENTS SUR L'INSCRIPTION	46

LIRE ET CONSERVER CES INSTRUCTIONS POUR CONSULTATION ULTÉRIEURE

Ce manuel contient des renseignements importants sur l'installation, l'utilisation et la prise en charge de votre appareil. Veuillez lire ce manuel attentivement avant l'installation et le fonctionnement de cette machine pour éviter les blessures et les dommages matériels.

Les avertissements et les consignes de sécurité importantes dans ce manuel NE COUVRENT PAS toutes les conditions et situations possibles qui peuvent survenir. Il vous incombe d'utiliser un bon sens, une attention et des soins lorsque vous installez, maintenez et utilisez votre sécheuse.

SÉCURITÉ DE LA SÈCHEUSE

VOTRE SÉCURITÉ ET LA SÉCURITÉ DES AUTRES SONT TRÈS IMPORTANTES

Pour éviter toute blessure à l'utilisateur ou à d'autres personnes et dommages matériels, les instructions présentées ici doivent être suivies. Une mauvaise utilisation en raison d'une omission des instructions peut causer des dommages ou des dommages, y compris la mort.

Le niveau de risque est indiqué par les indications suivantes.



AVERTISSEMENT

Ce symbole indique la possibilité de décès ou de blessures graves.



MISE EN GARDE

Ce symbole indique la possibilité de blessure ou de dommages aux biens.



AVERTISSEMENT

Ce symbole indique la possibilité de tension dangereuse constituant un risque de choc électrique qui pourrait entraîner la mort.



AVERTISSEMENT

Pour votre sécurité, les renseignements contenus dans ce manuel doivent être suivis afin de minimiser le risque d'incendie ou d'explosion, ou pour prévenir les dommages matériels, les blessures corporelles ou la mort.

- Ne pas entreposer ou utiliser de l'essence ou d'autres vapeurs et liquides inflammables dans les environs de ce ou de tout autre appareil.
- L'installation et le service doivent être effectués par un installateur qualifié, un organisme de service ou le fournisseur de gaz.



AVERTISSEMENT

Risque d'incendie



- Le non-respect des avertissements de sécurité peut entraîner des blessures graves, la mort ou des dommages matériels.
- N'installez pas de ventilateur de surpression dans le conduit d'échappement.
- Installer tous les vêtements de sècheuses conformément à la instructions d'installation du fabricant de la sècheuse.

INSTRUCTIONS DE SÉCURITÉ IMPORTANTES

AVERTISSEMENT

Pour réduire le risque d'incendie, de choc électrique ou de blessure aux personnes qui utilisent votre appareil, suivez les précautions de base, y compris les suivantes :

- LISEZ TOUTES LES INSTRUCTIONS AVANT D'UTILISER L'APPAREIL.
- Utilisez cet appareil uniquement à l'usage prévu, tel que décrit dans ce manuel d'utilisation.
- Avant d'utiliser la sècheuse, la sècheuse doit être correctement installé tel que décrit dans ce manuel.
- TOUJOURS suivre les instructions de soins du tissu fournies par le fabricant du vêtement.
- Ne pas sécher les articles qui ont déjà été nettoyés, lavés, imbibés ou tachés avec de l'essence, des solvants à nettoyage sec, d'autres substances inflammables ou explosives, car ils dégagent des vapeurs qui pourraient s'enflammer ou exploser.
- N'utilisez pas la sècheuse pour sécher les vêtements qui contiennent des traces de toute substance inflammable, comme l'huile végétale, l'huile de cuisson, l'huile pour machines, les produits chimiques inflammables, le diluant, etc., ou tout autre produit contenant de la cire ou des produits chimiques, comme des vadrouilles et des vêtements de nettoyage. Les substances inflammables peuvent causer la reprise du feu par le tissu.
- Ne pas entreposer ou utiliser de l'essence ou d'autres vapeurs et liquides inflammables près de ce ou de tout autre appareil.
- Ne laissez pas les enfants jouer sur ou dans l'appareil. Une surveillance étroite des enfants est nécessaire lorsque l'appareil est utilisé près des enfants.
- Avant de retirer l'appareil du service ou de le jeter, retirez le couvercle du lavage ou de la porte du compartiment de séchage.
- Ne pas atteindre l'appareil si le tambour est en mouvement.
- N'installez pas cet appareil ou ne rangez pas cet appareil là où il sera exposé aux températures ou aux températures inférieures à 33 °F.
- Ne pas altérer les commandes et le loquet.
- N'installez pas de ventilateur de surpression dans le conduit d'échappement.
- Ne réparez ou ne remplacez aucune partie de l'appareil ou ne tentez pas d'effectuer un entretien à moins qu'il ne soit spécifiquement recommandé dans les instructions d'entretien ou dans les instructions de réparation d'utilisateur publiées que vous comprenez et possédez les compétences à effectuer.
- Gardez la zone sous et autour de vos appareils sans matériaux combustibles (peluches, papier, chiffons, etc.), de l'essence, des produits chimiques et d'autres vapeurs et liquides inflammables.

- Ne placez pas d'articles exposés aux huiles de cuisson dans votre sècheuse. Les articles contaminés par des huiles de cuisson peuvent contribuer à une réaction chimique qui pourrait causer une charge de la part d'un incendie. Pour réduire le risque d'incendie causé par des charges contaminées, la partie finale d'un cycle de séchage à la sècheuse se produit sans chaleur (période de refroidissement). Éviter d'arrêter une sècheuse avant la fin du cycle de séchage, à moins que tous les articles ne soient rapidement enlevés et s'étalent de manière à dissiper la chaleur.
- Éteignez les robinets d'eau et débranchez la laveuse si la machine doit être laissée pendant une période prolongée, comme pendant les vacances.
- Le matériel d'emballage peut être dangereux pour les enfants. Il existe un risque de suffocation! Conservez tous les articles d'emballage des enfants.
- Vérifiez toujours l'intérieur de la sècheuse pour les corps étrangers avant de charger la lessive. Gardez la porte fermée lorsque vous n'utilisez pas.
- N'utilisez pas de adoucisseurs ou de sous-produits en tissu pour éliminer les parasites à moins que le fabricant de l'assouplisseur textile ou de la fabrication du produit ne recommande l'électricité.
- **Nettoyer l'écran antipeluches avant ou après chaque charge.**
- Gardez la zone autour de l'ouverture d'échappement et les zones environnantes exemptes de peluches, de poussière et de saleté.
- Garder l'intérieur du tuyau de sècheuse et d'échappement propre régulièrement. Au besoin, utiliser le personnel qualifié de service.
- Ne placez pas d'articles exposés aux huiles de cuisson dans votre sècheuse. Les articles contaminés par des huiles de cuisson peuvent contribuer à une réaction chimique qui pourrait causer une charge de la part d'un incendie.
- Cet appareil doit être mis à la terre. Voir « **Exigences électriques** » et « **Mise à la terre** » dans le section « **Exigences opérationnelles** ».
- Cet appareil doit être correctement mis à la terre. Ne branchez jamais le cordon d'alimentation dans une prise qui n'est pas mise à la terre adéquatement et conformément aux codes locaux et nationaux. Consultez les instructions d'installation pour la mise à la terre de cet appareil.
- Assurez-vous que les poches sont exemptes de petits objets durs et de corps étrangers, c.-à-d. pièces, couteaux, goupilles, etc. Ces objets pourraient endommager votre sècheuse et vos vêtements.
- N'utilisez pas de chaleur pour sécher les articles contenant du caoutchouc mousse ou de caoutchouc texturé similaire comme les matériaux.



AVERTISSEMENT

Pour réduire le risque d'incendie ou d'explosion

- Ne pas sécher les articles préalablement nettoyés, lavés, imbibés ou tachés avec de l'essence, des solvants de nettoyage sec ou d'autres substances inflammables ou explosives. Ils émettent des vapeurs qui

pourraient s'enflammer ou exploser. Tout matériau qui a été en contact avec un solvant de nettoyage ou des liquides ou solides inflammables ne doit pas être placé dans la sècheuse tant que les traces de ces liquides inflammables ou solides ne sont pas éliminées.

- Il existe de nombreux produits hautement inflammables utilisés dans les maisons, comme l'acétone, l'alcool dénaturé, l'essence, le kérosène, certains nettoyants liquides domestiques, certains détracteurs, la térébenthine, les cires et les décapants de cire.
- Ne pas sécher les articles contenant du caoutchouc mousse (peut être une mousse de latex) ou des matériaux semblables à ceux du caoutchouc sur un réglage de chaleur. Les matériaux en caoutchouc mousse chauffé peuvent, dans certaines circonstances, produire un incendie par combustion spontanée.

MISE EN GARDE

- Ne pas assécher sur le dessus de la sècheuse.
- En raison des améliorations continues apportées aux produits, Midea America se réserve le droit de modifier les spécifications sans préavis. Pour obtenir tous les détails, consultez les instructions d'installation remplies de votre produit avant de sélectionner les armoires, de faire des découpes ou de commencer l'installation.
- Ne pas sécher les vêtements avec de grandes boucles, des boutons ou d'autres objets lourds ou solides.
- Installer et utiliser conformément aux instructions du fabricant.
- Ne placez pas les articles dans votre sècheuse qui ont été repérés ou trempés avec de l'huile végétale ou de l'huile de cuisson. Même après avoir été lavés, ces articles peuvent contenir des quantités importantes de ces huiles.
- L'huile résiduelle sur les vêtements peut s'enflammer spontanément. Le potentiel de combustion spontanée augmente lorsque des aliments contenant de l'huile végétale ou de l'huile de cuisson sont exposés à la chaleur. La source de chaleur, telle que votre sècheuse, peut réchauffer ces éléments, ce qui permet de produire une réaction d'oxydation dans l'huile.
- L'oxydation crée de la chaleur. Si cette chaleur ne peut pas s'échapper, les articles peuvent devenir suffisamment chauds pour attraper un incendie. L'empilage, l'empilage ou l'entreposage de ces types d'articles peuvent empêcher la chaleur de s'échapper et créer un risque d'incendie.
- Empêcher les enfants de jouer avec la porte de la sècheuse que les doigts ne sont pas coincés dans la porte lorsque vous le refermez. Cela peut entraîner des blessures.

État de la proposition 65 de la proposition de Californie :



AVERTISSEMENT : Cancer et dommage reproductif

-www.P65Warnings.ca.gov.

CONSERVEZ CES INSTRUCTIONS

CET APPAREIL EST DESTINÉ À UN USAGE DOMESTIQUE SEULEMENT

EXIGENCES OPÉRATIONNELLES

AVERTISSEMENT



Risque d'incendie

- L'installation de la sècheuse doit être effectuée par un installateur qualifié.
- Installez la sècheuse conformément aux instructions du fabricant et aux codes locaux.
- N'installez pas de sècheuse à linge avec des matériaux de ventilation en plastique souples. Si un conduit souple (type d'aluminium) est installé, il doit être d'un type spécifique identifié par le fabricant de l'appareil comme étant adapté à l'utilisation avec la sècheuse. Les matériaux d'aération flexibles sont connus pour s'effondrer, être facilement écrasés et emprisonner les peluches. Ces conditions vont obstruer le débit d'air de la sècheuse et augmenter le risque d'incendie.
- Pour réduire le risque de blessure grave ou de décès, suivez toutes les instructions d'installation.
- CONSERVEZ CES INSTRUCTIONS

IMPORTANT POUR L'INSTALLATEUR

Veillez lire attentivement les instructions suivantes avant d'installer la sècheuse. Ces instructions doivent être conservées à des fins de référence ultérieure.

MISE EN GARDE

- La sècheuse ne convient pas à l'installation dans un domicile mobile.
- Retirez la porte de tous les appareils jetés pour éviter que l'enfant ne soit coincé et suffoqué, après avoir débranché le cordon d'alimentation coupé.

EXIGENCES DE BASE

Assurez-vous d'avoir tout ce qui est nécessaire pour l'installation appropriée.

- Un PRISE ÉLECTRIQUE À LA TERRE requise. Consultez le « **Exigences électriques** » section.
- Une sècheuse électrique à CORDON D'ALIMENTATION (sauf pour le Canada).
- Le SYSTÈME D'ÉCHAPPEMENT doit être fait de métal rigide ou de métal rigide. econduite de conduite. N'UTILISEZ PAS DE CONDUITS EN PLASTIQUE.

EXIGENCES RELATIVES À L'EMPLACEMENT

1. La sècheuse doit être située là où il y a suffisamment d'espace à l'avant pour charger la sècheuse et assez d'espace derrière le système d'échappement.
2. Ce sécheur est prêt à l'usine pour l'option d'échappement arrière. Pour évacuer le bas ou la gauche, utilisez la trousse d'échappement d'accessoires. Les instructions sont incluses avec la trousse.
3. Assurez-vous que la pièce dans laquelle se trouve la sècheuse est suffisamment fraîche. La sècheuse doit être située là où il n'y a pas d'obstructions de débit d'air. La température ambiante ne doit pas être inférieure à 33 °F.
4. La sècheuse ne doit pas être installée ou rangée dans une zone où elle sera exposée à l'eau et/ou à la météo. La zone sèche doit être laissée à l'écart des matériaux combustibles, de l'essence et d'autres vapeurs et liquides inflammables. Une sècheuse produit des peluches combustibles. La zone autour de la sècheuse doit être gardée sans charpie.

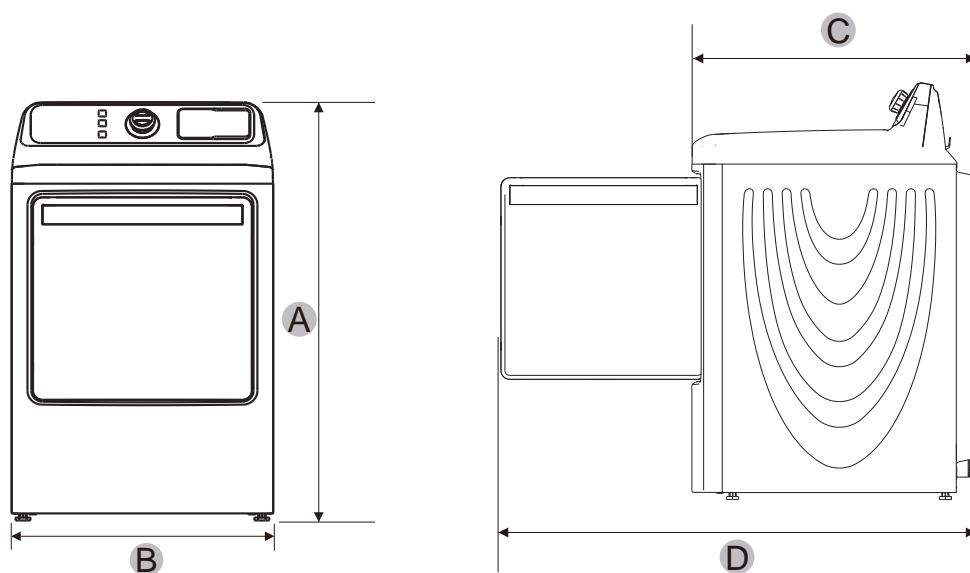
ALCÔVE OU ARMOIRE OU INSERTION MURALE/ENCASTRÉ INSTALLATIONS

⚠ AVERTISSEMENT

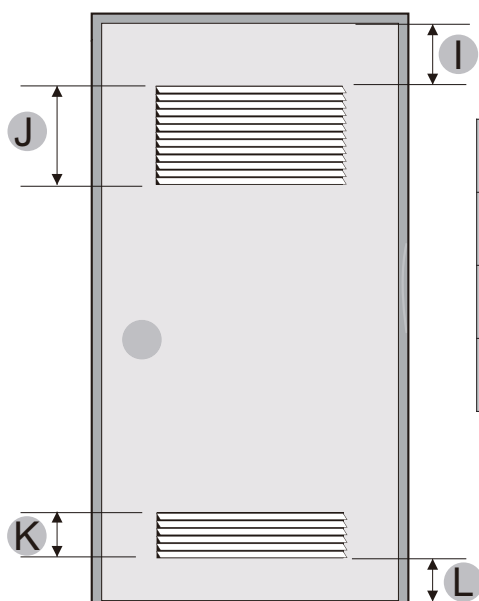
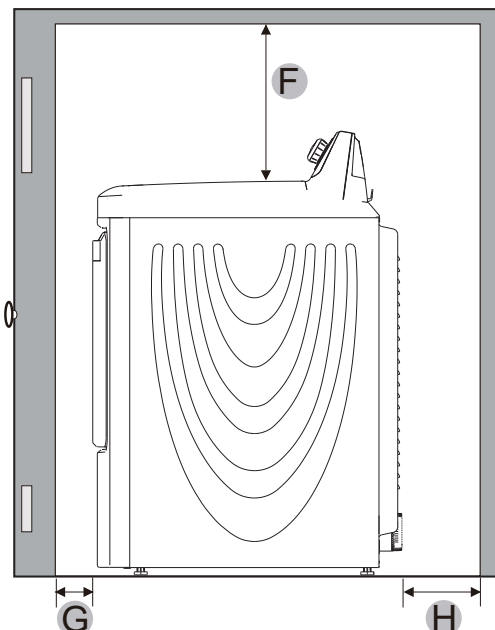
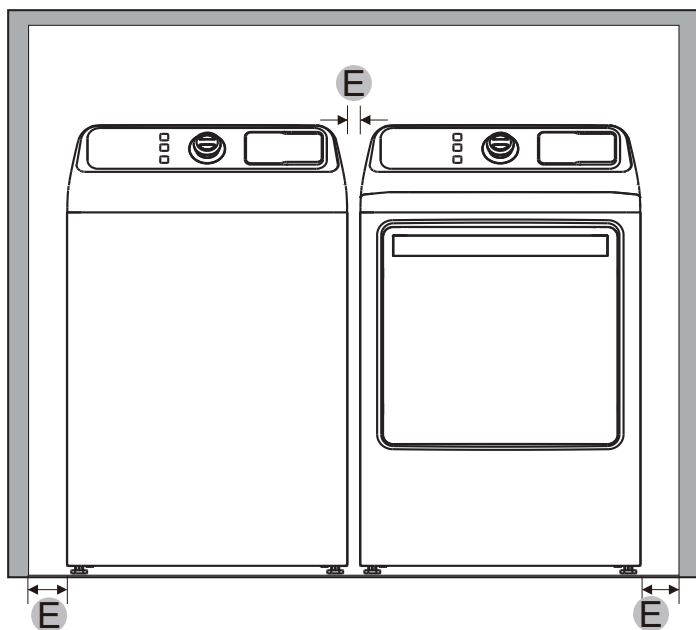
- La sècheuse doit être évacuée à l'extérieur pour réduire le risque d'incendie lorsqu'elle est installée à l'intérieur de la maison.
- Non d'autres appareils de combustion à carburant devraient être installés dans la même armoire que la sècheuse.

Dégagements minimums entre la sècheuse et les murs adjacents ou d'autres surfaces :

Accompagnements	25 mm (1 po)	Arrière	127 mm (5 po)
Haut	610 mm (24 po)	Garde-robe à l'avant	51 mm (2 po)



A	45,8 po (1163 mm)	B	27 po (686 mm)
C	31,5 po (800 mm)	D	52,5 po (1333 mm)



E	1 po (25 mm)	F	24 po (610 mm)
G	2 po (51 mm)	H	5 po (127 mm)
I	3 po (76 mm)	J	48 po ² (31000 mm ²)
K	24 po ² (15500 mm ²)	L	3 po (76 mm)

REMARQUE :

L'avant du placard doit comporter deux ouvertures d'air non obstruées pour une superficie totale combinée de 465 mm² (72 po²) et une distance minimale de 76 mm (3 po) au haut et au bas. Une porte à lattes avec espace d'espace équivalent est acceptable.

EXIGENCES RELATIVES À LA CONDUITE

	Recommandé	Utiliser uniquement pour les courtes distances installation
Type de Capot météo	<p>DIA4 po 4. 10,2 cm (4 po)</p>	<p>DIA4 po 2 1/2 po 6,4 cm (2,5 po)</p>
Nbre de coudes à 90°	Rigide métallique	Rigide métallique
0	27,4 m (90 pi)	18,3 m (60 pi)
1	18,3 m (60 pi)	13,7 m (45 pi)
2	13,7 m (45 pi)	10,7 m (35 pi)
3	10,7 m (35 pi)	7,6 m (25 pi)

Si cette nouvelle sècheuse est installée dans un système d'échappement existant, vous devez vous assurer que :

- Le système d'échappement répond à tous les codes locaux, provinciaux et nationaux.
- Qu'un conduit en plastique flexible n'est pas utilisé.
- Inspecter et nettoyer toute accumulation de peluches à l'intérieur du conduit existant.
- Le conduit n'est pas bosselé ni écrasé.
- L'amortisseur du capot d'échappement s'ouvre et se ferme librement.

Mesures du manomètre

La pression statique dans tout système d'échappement pour obtenir des résultats optimaux doit se situer entre 0,3 et 0,8 pouces d'eau et ne doit en aucun cas être inférieure à 0, avec un conduit installé de 4 pouces de diamètre. La mesure doit être effectuée avec la sècheuse vide qui fonctionne avec un manomètre au point où le conduit d'échappement se connecte à la sècheuse. Un réglage sans chaleur doit être utilisé. Le filtre antipeluches doit être propre.

AVERTISSEMENT

L'installation d'échappement correcte est VOTRE RESPONSABILITÉ.

- Utiliser un conduit rigide en aluminium rigide de 4 po (10,2 cm) de diamètre ou un conduit en acier galvanisé rigide.
- Ne pas utiliser de diamètre plus petit que le conduit recommandé.
- Les conduits de plus de 10,2 cm (4 po) de diamètre peuvent entraîner une accumulation accrue de peluches et des changements de performance.
- Les peluches doivent être retirées du filtre interne avant chaque cycle et nettoyer les conduits régulièrement.
- Si un conduit métallique flexible doit être utilisé, utiliser le type avec un mur métallique rigide. Ne pas utiliser un conduit flexible avec un mince mur en aluminium. Un blocage grave peut entraîner une flexion trop prononcée du conduit métallique flexible.
- Ne jamais installer de conduits flexibles dans les murs, les plafonds ou autres espaces cachés.
- Maintenir le conduit d'échappement aussi droit, court que possible, les coudes minimum
- Fixez les joints avec du ruban pour conduits. N'utilisez pas de vis.
- Les conduits souples en plastique peuvent s'entortiller, s'affaisser, être perforés, réduire le débit d'air, prolonger les temps de séchage et affecter l'utilisation de la sècheuse.
- Les systèmes d'échappement plus longs que les 90 pi recommandés peuvent prolonger les temps de séchage, affecter les opérations de la machine et ramasser des peluches.
- Le conduit d'échappement doit se terminer par un capot d'échappement avec un amortisseur pivotant pour empêcher les courants d'air et l'entrée de la faune. N'utilisez jamais un capot d'échappement avec un amortisseur magnétique.
- Le capot doit avoir au moins 30,5 cm (12 po) de dégagement entre le bas de la hotte et le sol ou toute autre obstruction. L'ouverture du capot devrait pointer vers le bas.
- Ne jamais installer un écran sur la prise d'échappement.
- Pour éviter l'accumulation de peluches, ne pas aspirer la sècheuse directement dans une fenêtre. Ne pas évacuer sous une maison ou un porche.
- Si le conduit d'échappement doit traverser une zone non chauffée, le conduit doit être isolé et légèrement incliné vers le capot d'échappement pour réduire la condensation et l'accumulation de peluches.
- Inspectez et nettoyez l'intérieur du système d'échappement au moins une fois par année. Débranchez le cordon d'alimentation avant de le nettoyer.
- Vérifier fréquemment pour s'assurer que le registre du capot d'échappement s'ouvre et se ferme librement.
- Vérifiez une fois par mois et nettoyez au moins une fois par année.
REMARQUE : Si vos vêtements ne sont pas secs, vérifiez les conduits pour déceler toute obstruction.
- Ne pas aspirer la sècheuse dans un mur, un plafond, un espace ramraml ou un espace dissimulé d'un bâtiment, d'un évent de gaz ou d'un autre conduit ou cheminée commun. Cela pourrait créer un risque d'incendie causé par les peluches expulsées par la sècheuse.
- Ne pas utiliser de conduit flexible non métallique.
- Pour réduire le risque d'incendie, il FAUT DRAINER cette sècheuse à l'EXTÉRIEUR sans obstruction autour de la prise.

EXIGENCES RELATIVES À L'ÉPUISEMENT

AVERTISSEMENT

- La sècheuse ne doit pas être évacuée dans une cheminée, un mur, un plafond, un grenier, un espace ramramu ou un espace dissimulé d'un bâtiment.
- La sècheuse doit être évacuée à l'extérieur afin de réduire le risque d'incendie lorsqu'il est installé dans une alcôve ou une armoire.

L'épuisement de la sècheuse vers l'extérieur empêchera les grandes quantités de peluches et d'humidité d'être soufflé dans la pièce.

AVERTISSEMENT

NE JAMAIS UTILISER UN CONDUIT FLEXIBLE EN PLASTIQUE OU NON MÉTALLIQUE

Si votre rouleau de conduits existant est en plastique, non métallique ou combustible, remplacez-le par du métal avant d'installer cet appareil.

Utilisez uniquement un conduit d'échappement métallique qui est ininflammable pour assurer le confinement de la chaleur d'air d'échappement et des peluches.

Consulter la section « Exigences de canalisation » à la page 12 pour connaître la longueur maximale du conduit et le nombre de courbures.

- Toutes les sècheuses doivent être évacuées à l'extérieur.
- Ne pas assembler le conduit avec des vis ou d'autres moyens de fixation qui s'étendent dans le conduit et qui retiennent les peluches.
- Le conduit d'échappement doit être de 102 mm (4 po) de diamètre.
- La longueur totale du conduit métallique flexible ne doit pas dépasser 7,8 pieds. (2,4 mètres).

EXIGENCES ÉLECTRIQUES

Le schéma de câblage se trouve sur la planche arrière de l'unité.

AVERTISSEMENT

- La connexion inadéquate du conducteur de mise à la terre de l'équipement peut entraîner le risque de choc électrique. Vérifiez auprès d'un électricien ou d'un serviteur qualifié si vous avez des doutes quant à la mise à la terre de votre sècheuse. Ne modifiez pas la fiche fournie avec votre sècheuse -si elle n'est pas compatible avec la prise, faites installer une prise de courant appropriée par un électricien qualifié.
- Pour éviter tout risque inutile d'incendie, de choc électrique ou de blessure personnelle, tout le câblage et la mise à la terre doivent être effectués conformément aux codes locaux, ou en l'absence de codes locaux, avec le Code national de l'électricité, ANSI/NFPA No 70 -Dernière révision (pour les États-Unis) ou le Code canadien de l'électricité CSA C22.1 -Les dernières révisions et les codes et ordonnances locaux. Il vous incombe de fournir des services électriques adéquats pour votre sècheuse.

Connexions électriques

Il est recommandé d'utiliser un circuit individuel (ou distinct) servant uniquement à votre sècheuse. N'UTILISEZ PAS DE RALLONGE.

AVERTISSEMENT

Risque de décharge électrique



Lorsque les codes locaux permettent, l'alimentation électrique de la sècheuse peut être raccordée au moyen d'une nouvelle trousse de cordon d'alimentation, marquée pour être utilisée avec une sècheuse homologuée UL et cotée à un minimum de 120/240 volts, 30 ampères avec trois conducteurs de fil de cuivre no 10 raccordés à des bornes à boucle fermée, des cosses à fourche ouvertes avec extrémités tournées ou des pistes teintées.

- Ne réutilisez pas un cordon d'alimentation d'une vieille sècheuse. Le câblage électrique du cordon d'alimentation doit être conservé à l'armoire sèche avec un relief de contrainte homologué UL approprié.
- La mise à la terre par le conducteur neutre est interdite pour (1) nouvelles installations de circuit de branchement, (2) maisons mobiles, (3) véhicules récréatifs et (4) zones où les codes locaux interdisent la mise à la terre par le conducteur neutre. (Utiliser une fiche à 4 broches pour 4 prises de fils, type NEMA 14-30R.)

Modèles électriques-Canada seulement

- Un service électrique approuvé par AC de 120/240 volts, 60 Hz, utilisé par un fusible ou un disjoncteur de 30 ampères sur les deux côtés de la ligne est requis.
- Tous les modèles canadiens sont expédiés avec le cordon d'alimentation fixé. La puissance le cordon doit être branché dans une prise de 30 ampères.

MISE À LA TERRE

Cette sècheuse doit être mise à la terre. En cas de défaillance ou de panne, la mise à la terre du produit réduira le risque de choc électrique en fournissant un chemin d'accès minimal pour le courant électrique.

AVERTISSEMENT

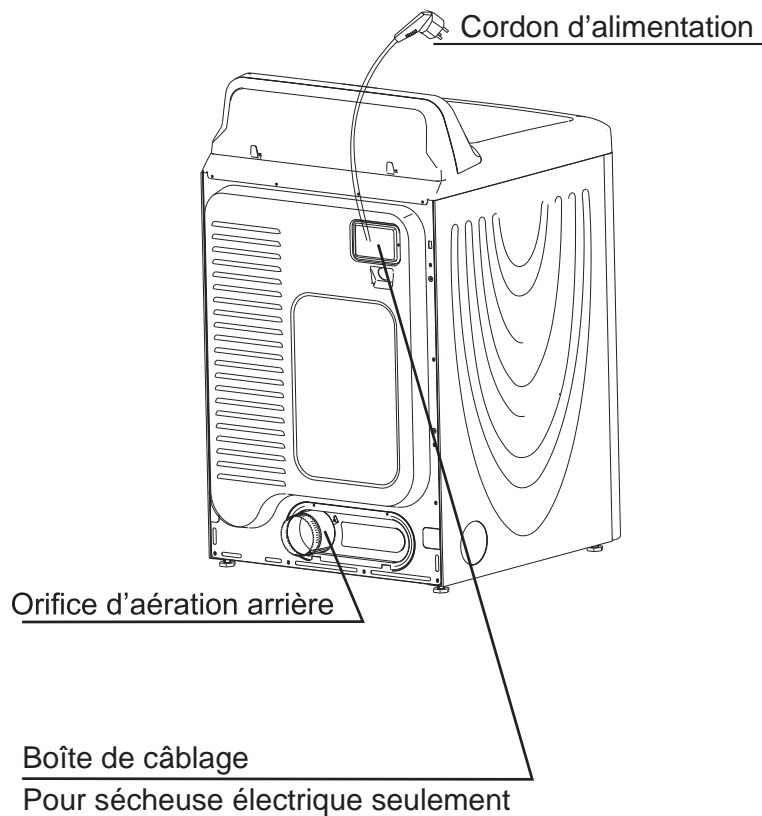
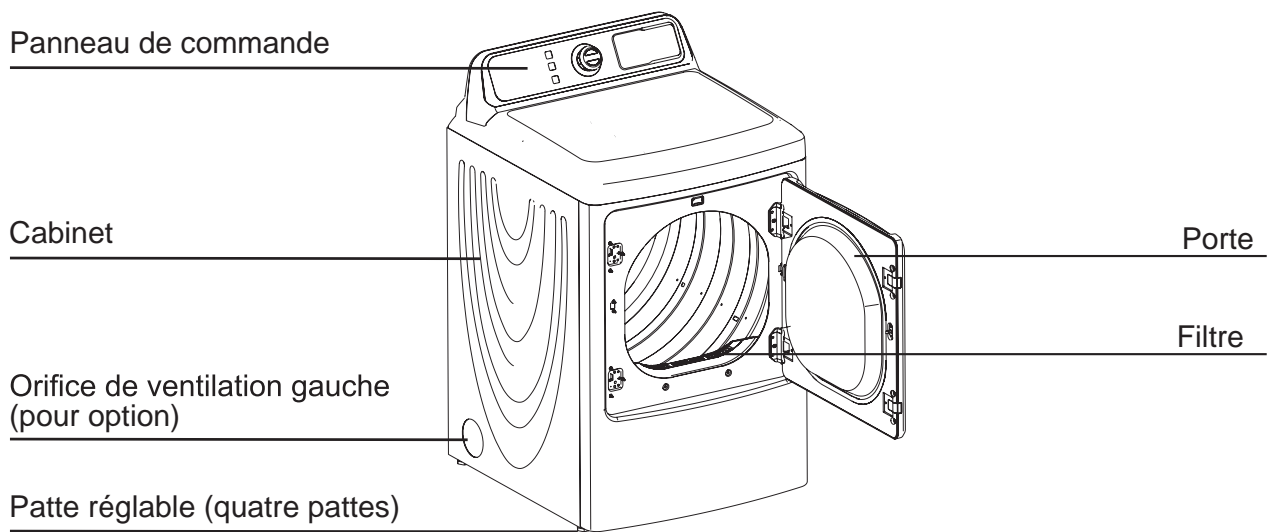
- Certaines pièces internes ne sont pas mises à la terre et peuvent présenter un risque de choc électrique pendant l'entretien. Personnel du service - Ne pas communiquer avec les pièces suivantes pendant que l'appareil est sous tension : soupape d'entrée, tableau de commande et thermistance régulatrice de température (située sur le boîtier du ventilateur).

AVERTISSEMENT

La sècheuse doit être mise à la terre avec un cordon d'alimentation à 3 ou 4 fils avec conducteur de mise à la terre et une fiche de mise à la terre, vendue séparément.

- La fiche doit être branchée dans une prise appropriée correctement installée et mise à la terre conformément à tous les codes et ordonnances locaux.
- Ne modifiez pas la fiche fournie avec votre sècheuse -si elle n'est pas compatible avec la prise, faites installer une prise de courant appropriée par un électricien qualifié.
- Si un cordon d'alimentation n'est pas utilisé et que la sècheuse électrique doit être câblée de façon permanente, la sècheuse doit être raccordée à un système de câblage métallique mis à la terre de façon permanente, ou un conducteur de mise à la terre doit être exécuté avec les conducteurs de circuit et connecté au terminal de mise à la terre de l'équipement ou au plomb sur la sècheuse.

PIÈCES ET CARACTÉRISTIQUES



PIÈCES DE RECHANGE ET ACCESSOIRES

Si votre sècheuse nécessite des pièces de rechange ou des accessoires, communiquez avec le concessionnaire où vous avez acheté votre sècheuse ou envoyez-nous un courriel à customerserviceusa@midea.com

INSTRUCTIONS D'INSTALLATION

Pour l'installation appropriée, nous vous recommandons d'embaucher un installateur qualifié.

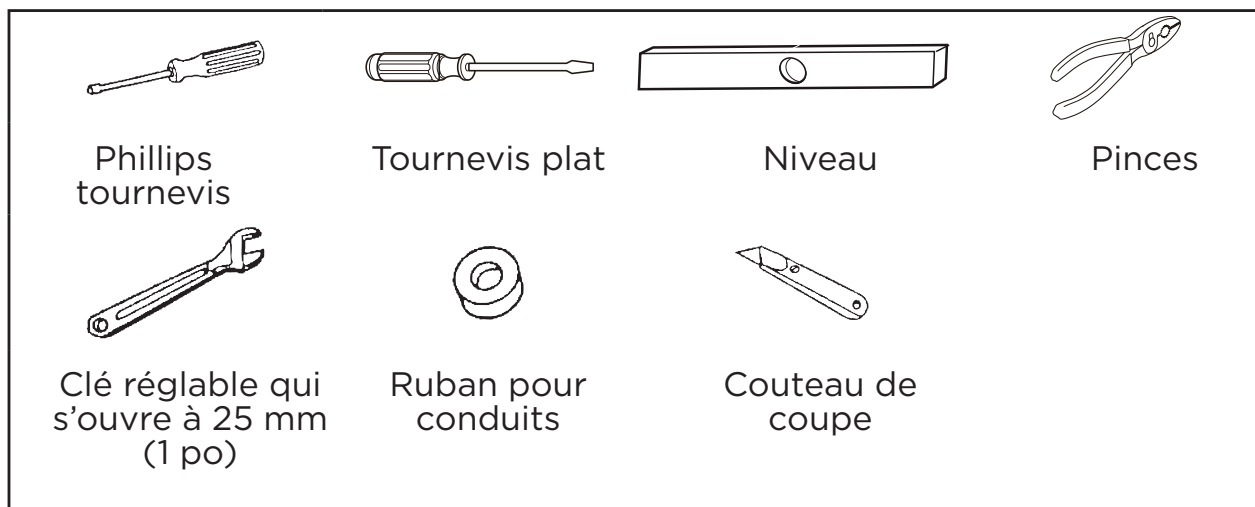
RETRAIT DU COLIS

- Déballez votre sècheuse et inspectez-la pour les dommages causés par l'expédition. Assurez-vous d'avoir reçu tous les articles indiqués ci-dessous.
- Pour éviter toute blessure ou tout dommage personnel, porter des gants de protection lors du levage ou du transport de l'appareil.

AVERTISSEMENT

Les matériaux d'emballage peuvent être dangereux pour les enfants; Conservez tout le matériel d'emballage (sacs en plastique, polystyrène, etc.) bien hors de la portée des enfants.

OUTILS REQUIS

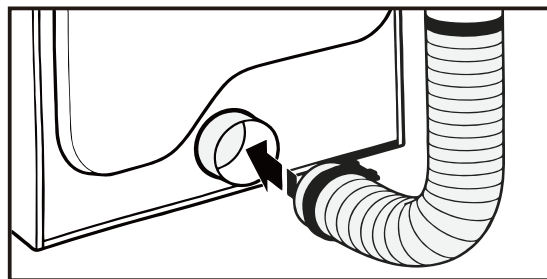
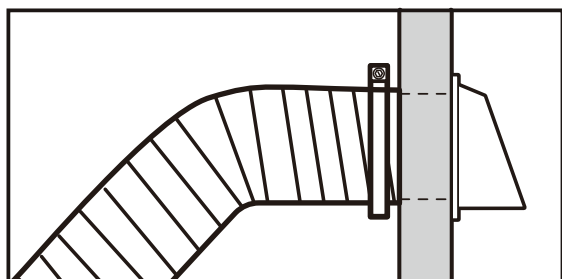


CHOISIR L'EMPLACEMENT APPROPRIÉ

1. Déplacez votre sècheuse vers un endroit approprié pour l'installation. Envisager d'installer la sècheuse et la rondelle côte à côte pour permettre l'accès aux connexions électriques et d'échappement. Placez deux des compteurs de la boîte sur le plancher. Inclinez votre sècheuse sur le côté de façon à ce qu'elle se trouve sur les deux dessus de coussin.
2. Remettez votre sècheuse en position verticale.

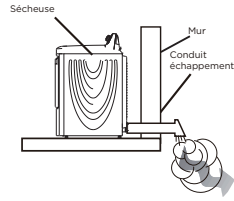
INSTALLATION DU SYSTÈME D'ÉCHAPPEMENT

1. Passez en revue la section « Exigences d'épuisement » avant d'installer le système d'échappement.
2. Installez les conduits de votre sècheuse à la hotte d'échappement. L'extrémité sortie des sections du conduit doit pointer loin de votre sècheuse.
3. N'utilisez PAS de vis métalliques lors de l'assemblage des conduits.
4. Ces joints doivent être fixés à l'aide d'un ruban adhésif.
5. N'utilisez jamais de matériau d'échappement flexible en plastique.
6. Embout pour installation serrée : installez une section du système d'échappement sur votre sècheuse avant de la mettre en place.
7. Utilisez du ruban pour conduits pour fixer cette section à votre sècheuse, mais ne couvrez pas les fentes d'aération à l'arrière de l'unité dans l'armoire sèche.

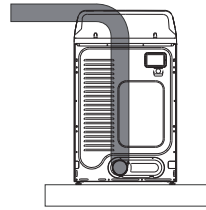


⚠ AVERTISSEMENT

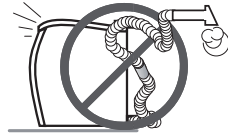
Assurez-vous que votre la sécheuse est installée il évacue l'air facilement.



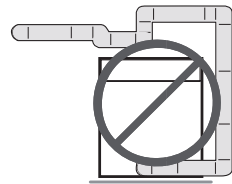
Gardez les conduits aussi droits que possible.



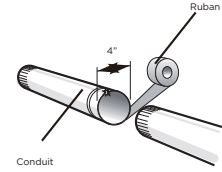
NE PAS limiter votre sécheuse avec un système d'échappement pauvre.



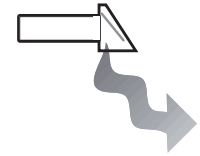
NE PAS utiliser de conduits inutilement longs qui ont de nombreux coudes.



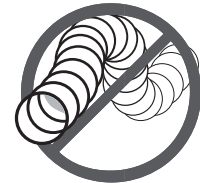
Utilisez un 10,2 cm (4 po) diamètre de conduit rigide de diamètre. Fixer tous les joints, y compris à la sécheuse. N'utilisez jamais des vis de fixation antipeluches.



Nettoyez tous les vieux conduits avant d'installer votre nouvelle sécheuse. Assurez-vous que le rabat d'évent s'ouvre et se ferme librement. Inspectez et nettoyez le système d'échappement chaque année.



NE PAS utiliser de plastique, de papier d'aluminium mince ou de conduit flexible non métallique.



NE PAS utiliser de conduits bosselés ou bouchés ni d'évent.

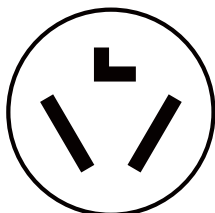


CONNECTER LE CÂBLAGE ÉLECTRIQUE

Passez en revue le «**Exigences électriques**» section 15.

AVANT D'UTILISER OU D'EFFECTUER DES ESSAIS, suivez les instructions de mise à la terre du «**Mise à la terre**» section 16.

SORTIE À TROIS FILS



Prise à 3 fils
(10-30R)

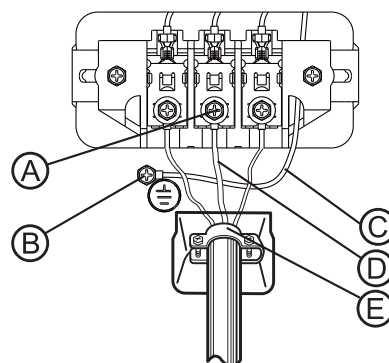
Choisissez ensuite un cordon d'alimentation à trois fils avec des bornes à anneau ou à fourche et un soulagement de contrainte homologué UL. Le cordon d'alimentation à 3 fils, d'au moins 1,22 m (4 pi) de longueur, doit avoir 3 fils de cuivre massif de calibre 10 et s'apparier à une prise à 3 fils de type NEMA 10-30R.

Connexions du système à 3 fils

1. Retirez la vis de blocage du terminal central.
2. Connectez le fil neutre (fil blanc ou central) du cordon d'alimentation à la vis du terminal central du bornier. Assurez-vous de faire traverser la vis à travers l'anneau de la borne du cordon d'alimentation et serrez la vis.
3. Connectez les autres fils aux vis de bornier extérieures. Assurez-vous de faire passer la vis à travers l'anneau de la borne et serrez la vis.
4. Serrer les vis de décharge de pression.
5. Insérez l'onglet du couvercle du bloc-boîtier dans l'emplacement du panneau arrière de votre sècheuse. Fixez le couvercle à l'aide d'une vis.

Instructions du système à trois fils :

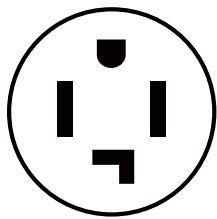
- Ⓐ Vis de blocage de borne centrale
- Ⓑ Connecteur de mise à la terre externe
- Ⓒ Fil de mise à la terre neutre (blanc)
- Ⓓ Fil neutre (fil blanc ou central)
- Ⓔ 1,9 cm (3/4 po) Soulagement de la contrainte homologué UL



AVERTISSEMENT

Si vous passez d'un système électrique à 4 fils à un trifilaire, la sangle de mise à la terre doit être reconnectée au support du bloc de raccordement pour mettre le châssis de la sècheuse à la terre au conducteur neutre. Les bornes de type anneau sont recommandées. Si vous utilisez des bornes de sangle, assurez-vous qu'elles sont serrées.

SORTIE À QUATRE FILS



4 fils prise
(14-30R)

Choisissez ensuite un cordon d'alimentation à 4 fils avec des bornes à anneau ou à fourche et un soulagement de contrainte homologué UL. Le cordon d'alimentation à 4 fils, d'au moins 1,22 m (4 pi) de longueur, doit avoir 4 fils de cuivre massif de calibre 10 et s'apparier à une prise à 4 fils de type NEMA 14-30 R. Le fil de mise à la terre (conducteur de terre) peut être vert ou nu. Le conducteur neutre doit être identifié par une couleur blanche.

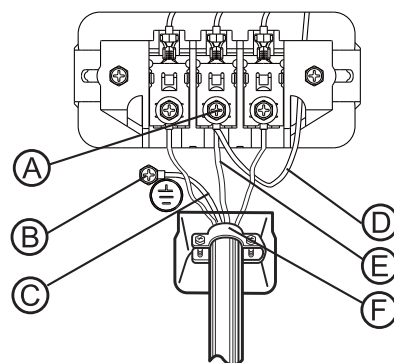
Connexions du système à 4 fils

1. Retirez la vis de blocage du terminal central.
2. Connectez le fil de mise à la terre (vert ou non) du cordon d'alimentation à la vis de conducteur de mise à la terre externe.
3. Connectez le fil neutre (fil blanc ou central) du cordon d'alimentation et le fil de mise à la terre de l'appareil (blanc) sous la vis centrale du bornier. Assurez-vous de faire traverser la vis à travers l'anneau de la borne du cordon d'alimentation et serrez la vis.
4. Connectez les autres fils aux vis de bornier extérieures. Assurez-vous de faire passer la vis à travers l'anneau de la borne et serrez la vis.
5. Serrer les vis de décharge de pression.
6. Insérez l'onglet du couvercle du bloc-boîtier dans l'emplacement du panneau arrière de votre sècheuse. Fixez le couvercle à l'aide d'une vis.

Instructions du système à 4 fils :

IMPORTANT : Les bornes de type anneau sont recommandées. Si à l'aide des bornes de la sangle, assurez-vous qu'elles sont serrées.

- (A) Vis de blocage de borne centrale
- (B) Connecteur de mise à la terre externe
- (C) Fil vert ou nu de cuivre du cordon d'alimentation
- (D) Fil de mise à la terre neutre (blanc)
- (E) Fil neutre (fil blanc ou central)
- (F) 1,9 cm (3/4 po) Soulagement de la contrainte homologué UL





AVERTISSEMENT



Risque de décharge électrique

Tous les modèles américains sont produits pour **CONNEXION DU SYSTÈME À TROIS FILS**.

Le cadre de la sècheuse est mis à la terre au conducteur neutre au bloc de raccordement. A **CONNEXION DU SYSTÈME À 4 FILS** est nécessaire pour la construction nouvelle ou réaménagée, les maisons mobiles ou si les codes locaux ne permettent pas de mettre à la terre par le conducteur neutre. Si le système à 4 fils est utilisé, le cadre de la sècheuse ne peut pas être mis à la terre au conducteur neutre au bloc de raccordement. Consultez le «**Exigences électriques**» section 16 pour **CONNEXIONS DU SYSTÈME À 3 OU 4 FILS**.

Retirez la plaque de couvercle du bornier.

Insérez le cordon d'alimentation avec un soulagement de la tension homologué UL jusqu'au tuyau fourni dans l'armoire près du bornier.

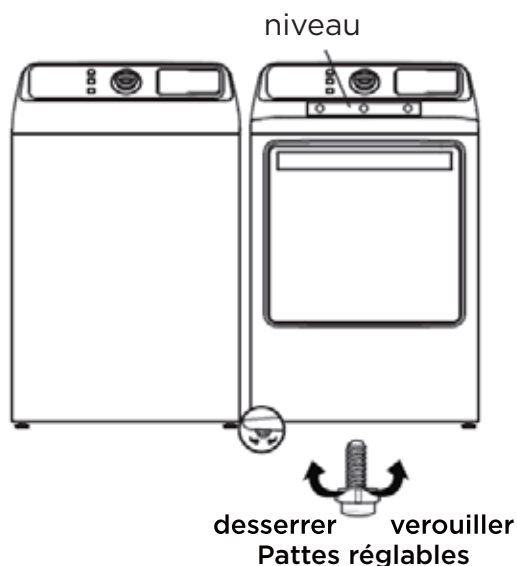
- Un soulagement de la contrainte doit être utilisé.

Ne desserrez pas les écrous déjà installés sur le bornier. Assurez-vous qu'ils sont serrés. Utilisez un douille de 1 cm (3/8 po) de profondeur.

NIVEAU DE LA SÉCHEUSE

Pour s'assurer que la sècheuse offre une performance de séchage optimale, elle doit être mise au niveau. Pour minimiser les vibrations, le bruit et les mouvements indésirables, le plancher doit être une surface solide et parfaitement horizontale.

- Ajuster les pieds de nivelage uniquement au besoin pour niveler la sècheuse. L'extension des pieds de nivellement plus que nécessaire peut faire vibrer la sècheuse.



MISE SOUS TENSION

Assurez-vous que toutes les connexions de d'échappement et de connexion électrique sont terminées. Branchez votre sècheuse.

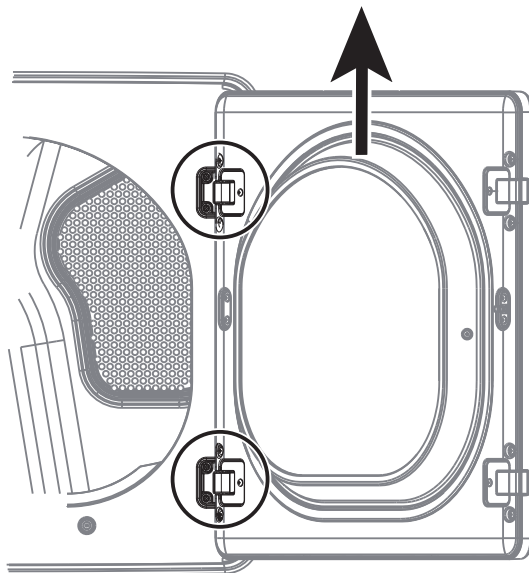
VÉRIFICATION FINALE

- Assurez-vous que la sècheuse est branchée dans une prise électrique et qu'elle est correctement mise à la terre.
- Les conduits d'échappement sont branchés et les joints sont fixés.
- Un conduit flexible en plastique NE PEUT PAS ÊTRE UTILISÉ.
- Utiliser du matériau de ventilation en métal flexible rigide ou rigide.
- La sècheuse est nivelée et est fermement assise sur le plancher.
- Démarrez votre sècheuse pour confirmer qu'elle fonctionne, chauffe et arrêtez-vous.

PROCÉDURE D'INVERSION DE PORTE

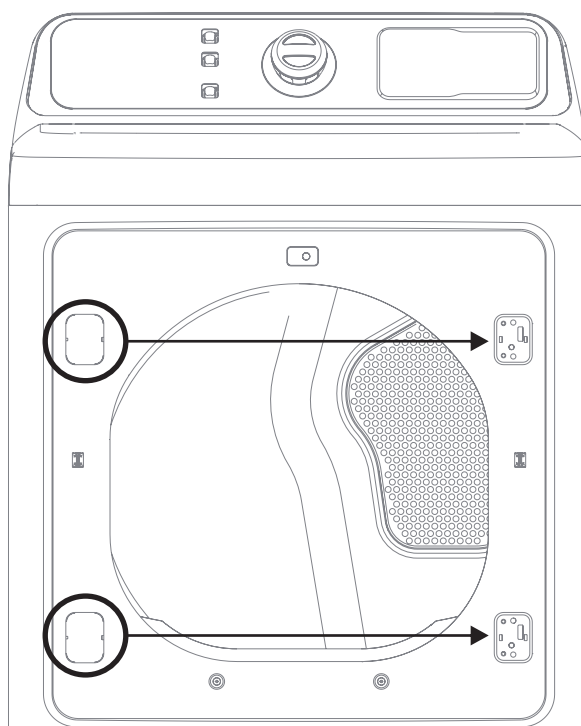
Étape 1 : Retirer la porte de la sécheuse

- 1 Assurez-vous que le cordon d'alimentation est débranché.
- 2 Tout en soutenant la porte, retirez les quatre vis de charnière de la porte, puis soulevez la porte pour le retirer et mettez la porte de côté.



Étape 2 : Déplacer les charnières des charnières de porte

- 1 Utiliser un tournevis à lame plate à supprimer le deux protège-charnières du côté que vous wan'a pas été porte to de la balançoire.



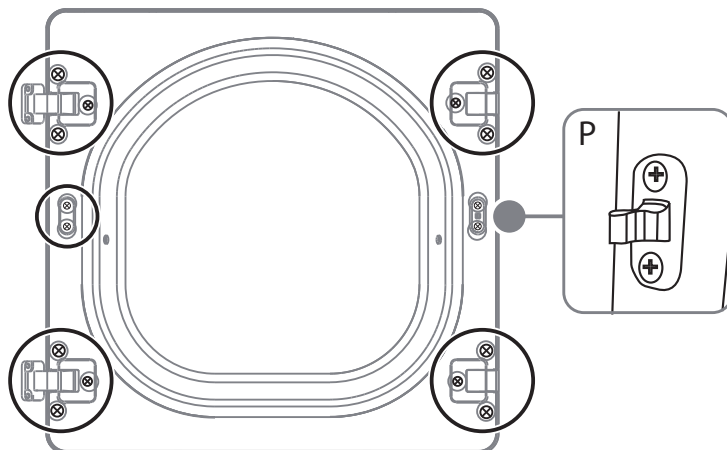
- 2 Installer les deux couvercles de charnière sur l'autre side.

Étape 3 : Tourner le cadre de la porte

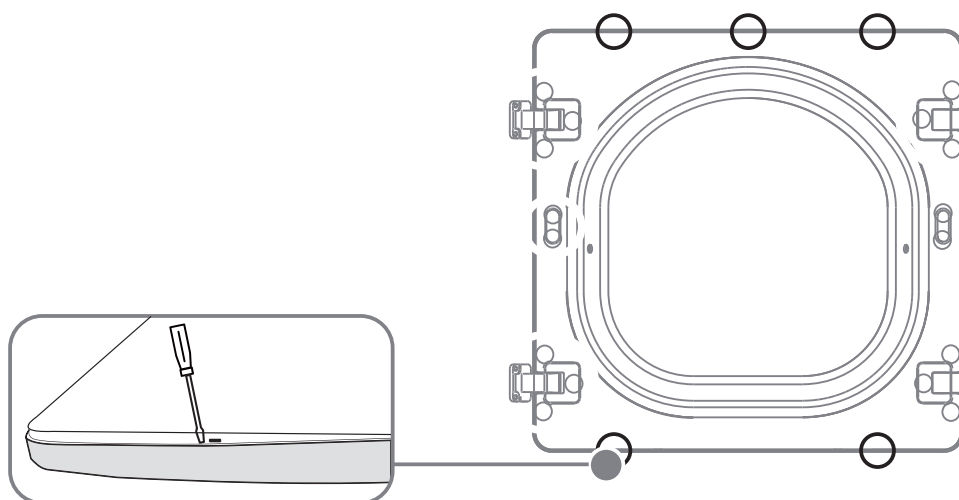
- 1 Retirez les 16 vis qui retiennent le cadre de la porte à votre sècheuse.

Remarque :

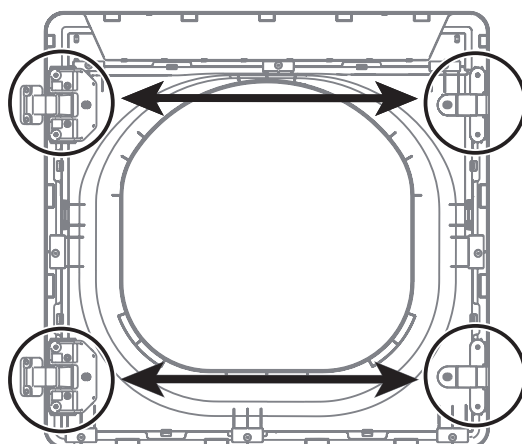
Deux vis fixer la porte latch (P) to la porte frame. Vous devrez joindre le loquet lorsque vous reassemble the door.



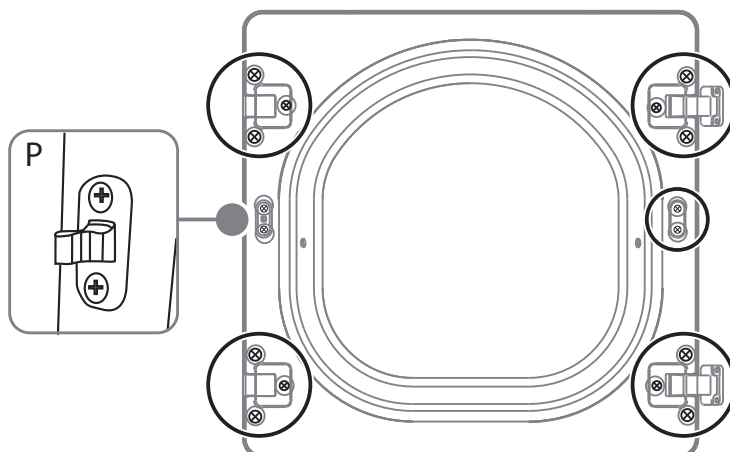
- 2 Utilisez un tournevis à tête plate pour ouvrir les 5 languettes, tirez sur le panneau de porte intérieur du panneau de porte extérieur.



- 3 Déplacer les charnières, les couvercles de charnière et le loquet de porte de l'autre côté de la porte.

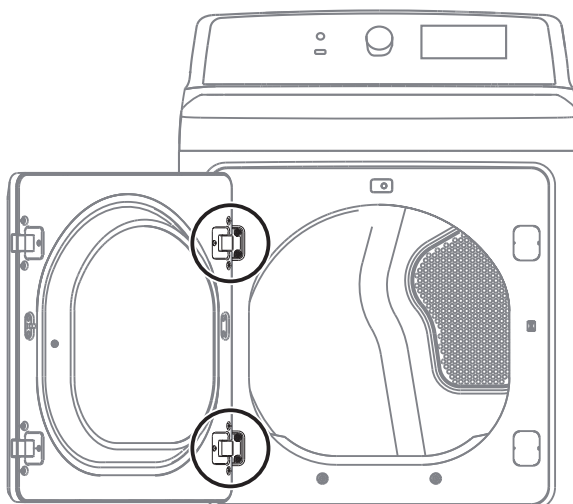


4. Fixez le cadre de la porte à votre sècheuse à l'aide des 16 vis que vous avez retirées à l'étape 1. Assurez-vous de fixer le loquet de la porte (P) à l'aide de deux vis.



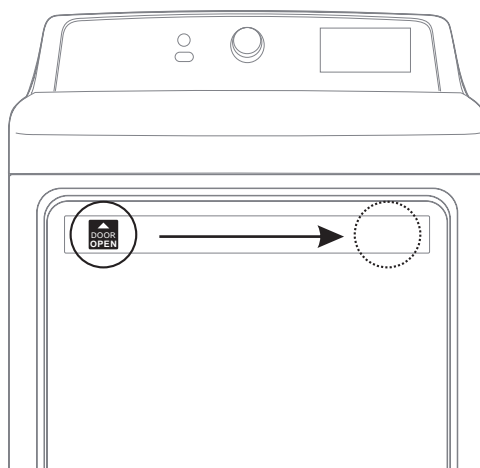
Étape 4 : Installer la porte de la sècheuse de l'autre côté

- 1 Alignez les charnières sur la porte avec les trous de vis de charnière à l'avant de votre sècheuse.



- 2 Fixez la porte avec les quatre vis que vous avez retirées
Étape 1 : Retirer la porte de la sècheuse

Étape 5 : Remplacer l'autocollant de porte de l'autre côté

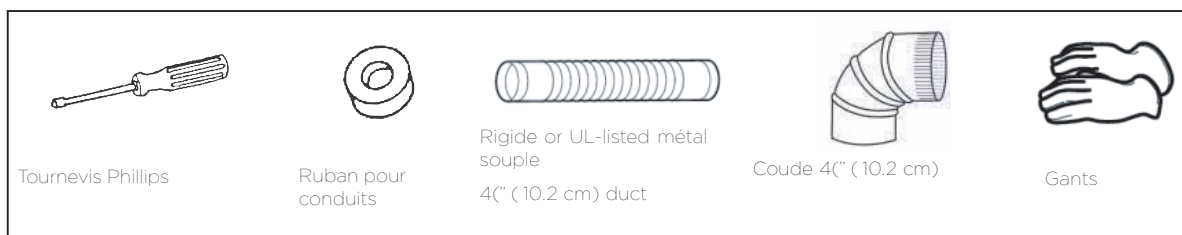


CHANGER L'EMPLACEMENT DE L'ÉVENT DE LA SÈCHEUSE

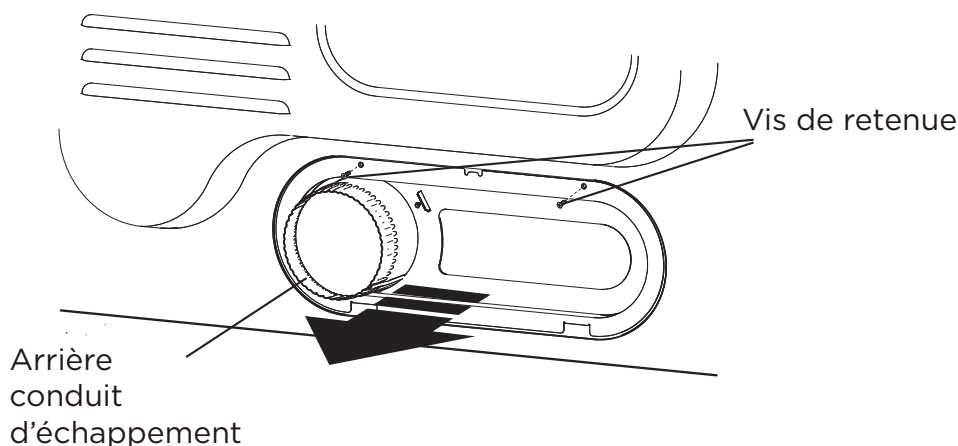
Votre nouveau sècheuse est expédié pour s'échapper à l'arrière. Il peut également être configuré pour s'évacuer vers le bas ou le côté gauche (comme vu à l'avant).

Il est possible d'acheter des trousse d'adaptateur auprès de n'importe quel détaillant. Cette trousse contient les composants de conduit nécessaires pour changer l'emplacement de l'évent de la sècheuse.

Outils et matériaux dont vous aurez besoin

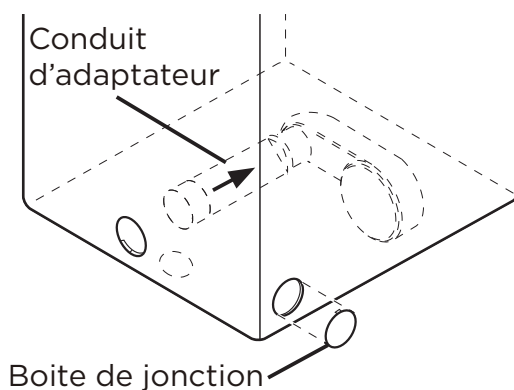


1. Supprimer les vis de retenue d'échappement arrière. Tirer out le conduit d'échappement.



Option 1 : Aération latérale

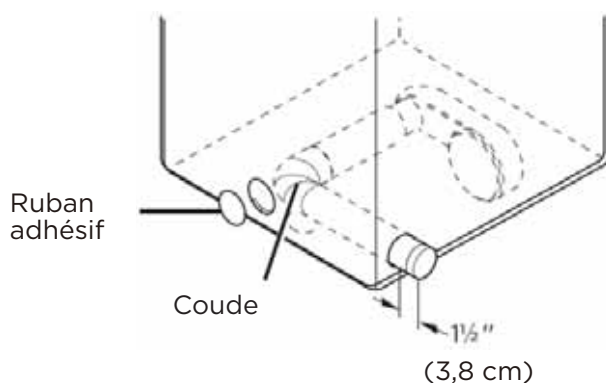
2. Appuyez sur les languettes de le boîte de jonction et retirez soigneusement le boîte de jonction de l'ouverture desirée. Fixez le conduit d'adaptateur sur le boîtier du souffleur de la sècheuse comme illustre.



3. Préassemblez un coude de 10,2 cm (4 po) à la section suivante de conduit de 10,2 cm (4 po) et fixez tous les joints avec du ruban adhésif. S'assurer que l'extrémité mâle du coude se trouve LOIN de la sècheuse.

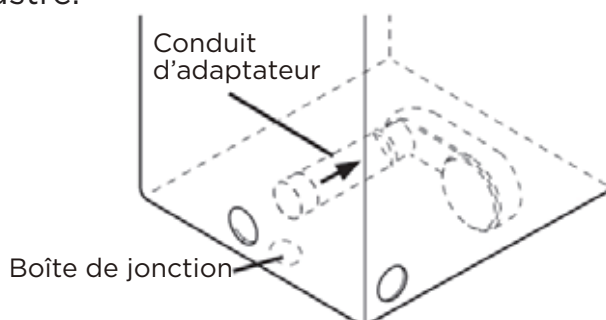
Insérez l'ensemble coude/conduit dans l'ouverture latérale et fixez-le sur le conduit d'adaptateur.

Fixez en place avec du ruban adhésif. S'assurer que l'extrémité mâle du conduit dépasse 3,8 cm (1,5 po) pour raccorder le reste de conduits. Fixez le ruban adhésif à l'arrière de la sècheuse.



Option 2 : Aération inférieure

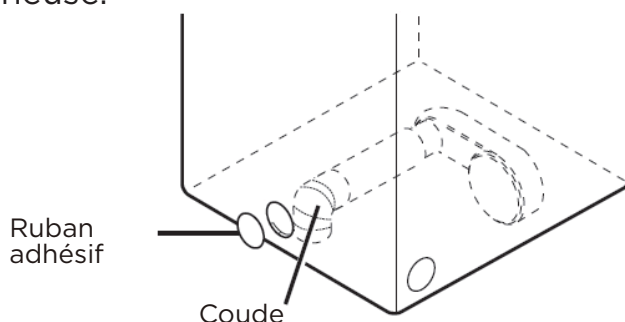
2. Appuyez sur les languettes de la boîte de jonction et retirez soigneusement la boîte de jonction de l'ouverture désirée. Fixez le conduit d'adaptateur sur le boîtier du souffleur de la sècheuse comme illustré.



3. Insérez le coude de 10,2 cm (4 po) dans l'ouverture arrière et fixez-le sur le conduit d'adaptateur.

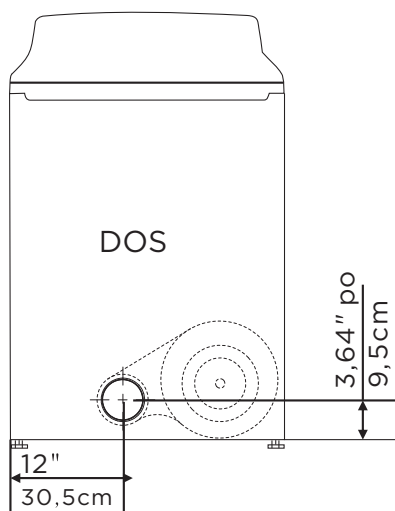
Assurez-vous que l'extrémité mâle du coude se trouve dans le trou au fond de la sècheuse.

Fixez en place avec du ruban adhésif. Fixez le ruban à conduits à l'arrière de la sècheuse.

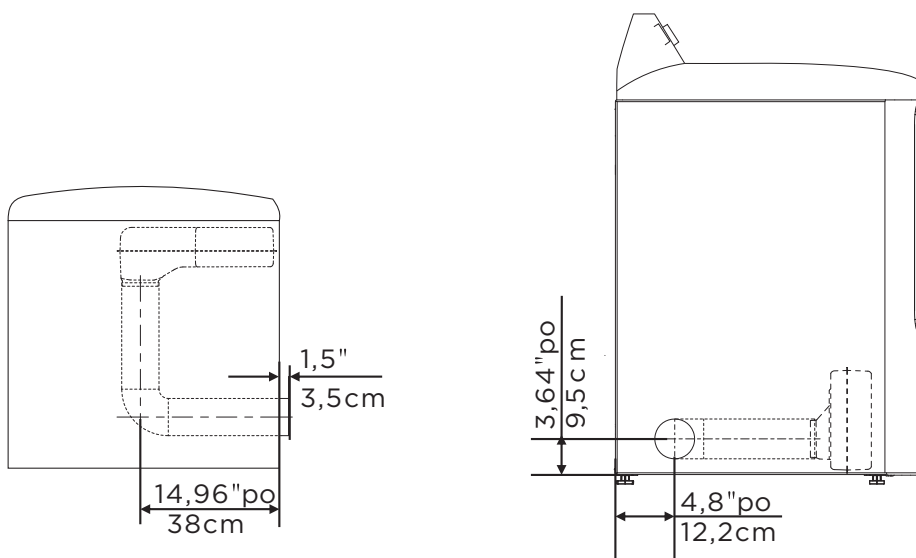


Dimensions pour l'installation

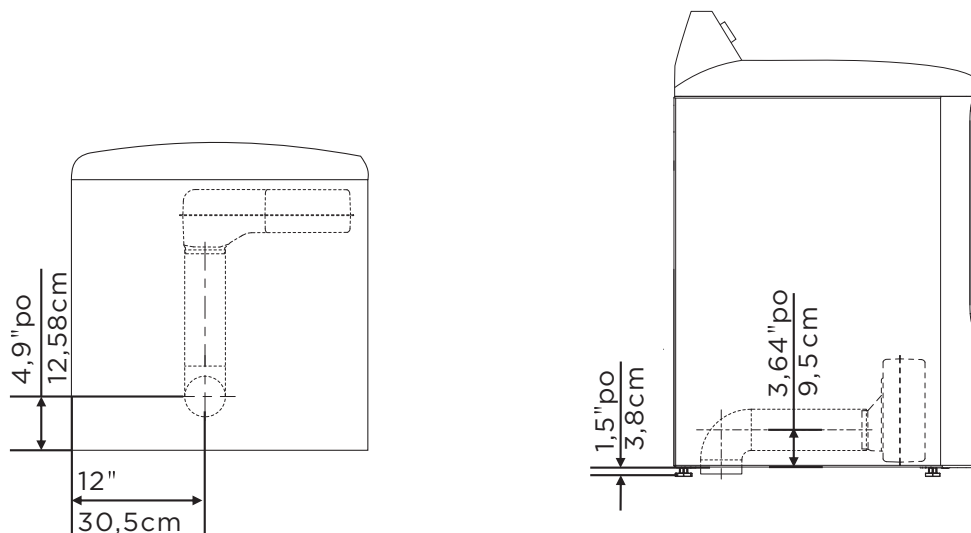
- Arrière Ventilation (Par défaut)



- Côté Ventilation



- Aération inférieure

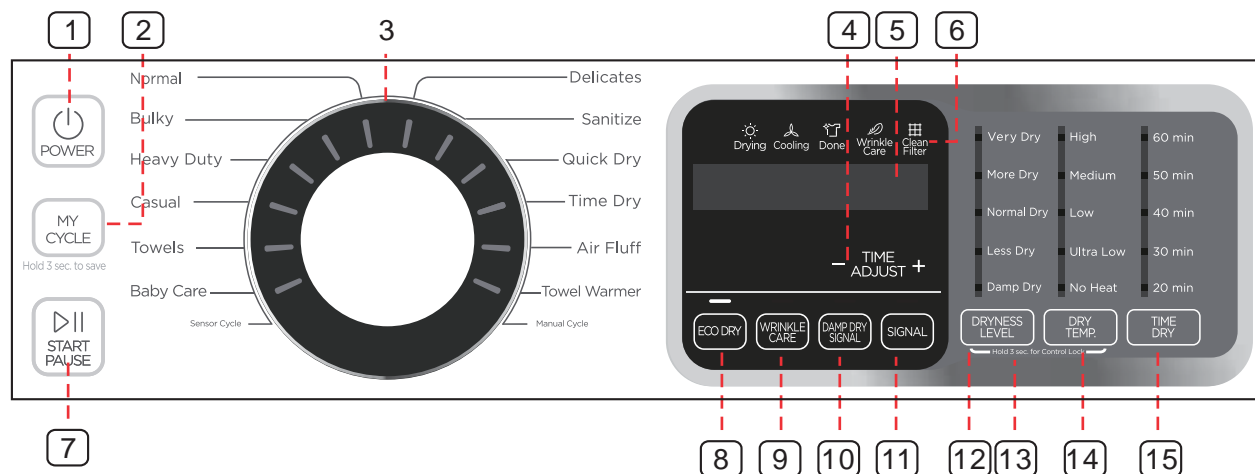


UTILISATION DE LA SÈCHEUSE

PANNEAU DE COMMANDE

AVERTISSEMENT

Pour réduire le risque d'incendie, de choc électrique ou de blessure aux personnes, lire les CONSIGNES DE SÉCURITÉ IMPORTANTES avant d'utiliser l'appareil.



1 Alimentation

Appuyez sur **POWER** pour activer ou désactiver votre sècheuse. Si votre sècheuse est allumée pendant plus de 10 minutes sans que les boutons soient enfoncés, il s'éteint automatiquement.

2 MON CYCLE

Maintenez enfoncée pendant 3 secondes pour vous souvenir de votre cycle de séchage préféré. Appuyez une fois pour charger votre réglage de cycle préféré.

3 Sélecteur de cycle

Sélectionnez le cycle désiré pour le type de charge.

Le cycle que vous sélectionnez détermine le contrôle de la chaleur du cycle. Les cycles Normal (Normal), Delicates (Tissus délicats), Bulky (Volumineux), Heavy Duty (Intensif), Casual (Décontractés), Towels (Serviettes), Baby Care (Soin bébé) et Sanitize (Désinfection) sont des cycles de séchage du capteur. Les cycles Air Fluff (séchage à l'air), Time Dry (séchage à temps), Quick Dry (séchage rapide) et Towel Warmer (chauffe-serviettes) sont des cycles manuels de séchage.

SUIVEZ LES RECOMMANDATIONS RELATIVES AUX ÉTIQUETTES DE VÊTEMENTS.

4 RÉGLAGE DU TEMPS

Ces boutons sont en vigueur uniquement pour les cycles manuels. Appuyez sur ces boutons pour changer le temps de séchage que vous préférez. Poussez plusieurs fois pour obtenir le temps de séchage désiré.

5 Affichage numérique

Ce numérique affichera l'heure du cycle que vous définissez ou le temps restant du cycle.

6 Affichage d'état du cycle

Le graphique ou le texte de l'indicateur relatif s'allumera lorsque la sècheuse est dans son programme de séchage. Lorsque l'ensemble du programme est terminé, le graphique « Terminé » clignote pour vous rappeler de décharger votre lessive.

7 DÉMARRER/PAUSE

Appuyez sur pour démarrer ou interrompre le programme. Vous ne pouvez pas modifier un réglage sauf ajouter un vêtement.

8 ECO DRY

Appuyez sur pour sélectionner le cycle Eco Dry. Le cycle Eco Dry est un mode d'économie d'énergie qui réduit la puissance tout en offrant un rendement de séchage efficace.

9 SOIN DE RIDES

Appuyez une fois pour ajouter l'étape de soin Wrinkle dans le programme d'exploitation.

Appuyez de nouveau pour annuler la sélection.

Le Soin Wrinkle Care fournit environ 90 minutes de flou intermittent dans l'air non chauffé à la fin du cycle pour réduire la plissement. La charge est déjà sèche et peut être retirée à tout moment pendant le cycle de soin Wrinkle Care.

10 SIGNAL SEC HUMIDE

Cette fonction est utile lorsque vous voulez enlever certains vêtements pour le repassage. L'appareil émettra six bips lorsque l'humidité dans les vêtements est bonne pour le repassage. À ce moment-là, vous pouvez enlever ces vêtements et continuer à sécher l'autre en appuyant une fois sur le bouton « START/PAUSE ».

REMARQUE : L'appareil ne cessera pas de fonctionner si vous ne sortez pas ces vêtements pour le repassage.

11 SIGNAL

Appuyez une fois pour arrêter le son.

Appuyez de nouveau pour activer le son.

Votre sélection sera conservée jusqu'à ce que vous ayez appuyé sur la touche suivante.

12 NIVEAU DE SÉCHERESSE

Appuyez sur le bouton pour sélectionner le niveau de sécheresse.

Un niveau de sécheresse différent entraînera un temps de séchage différent. Pour que les vêtements soient complètement dépassés, il faut choisir un niveau de sécheresse plus faible.

13 Verrou de contrôle

Appuyer sur « DRYNESS LEVEL » et « DRY TEMP », ensemble pour activer la fonction de verrouillage de commande. Appuyez de nouveau sur la touche pour désactiver la fonction pendant 3 secondes. Tous les boutons sauf le « POWER » ne sont pas fonctionnels lorsque le verrou de commande est activé.

14 TEMP. SÈCHE

Appuyez sur le bouton pour sélectionner la température de séchage.

High/Élevé -Pour les copropriétaires solides ou ceux étiquetés Dry Tumble.

Medium/Moyen -Pour les tissus de presse permanents, synthétiques, légers ou les articles étiquetés Milieu sec à culbutage.

Low/Faible -Pour une chaleur inférieure à celle des tissus synthétiques ou des tissus en tricot lavables.

Ultra Low/Ultra basse -Pour les articles sensibles à la chaleur étiquetés à la section Basse pression sèche ou à la chaleur sèche.

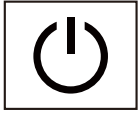
No Heat/Aucune chaleur - Ne fournit que le cycle d'air sans chaleur.

15 SÉCHAGE

Ce bouton est une sélection rapide pour le réglage Temps sec.

SÉCHAGE D'UNE BRASSÉE DE LESSIVE

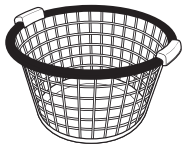
1. Mettez votre sècheuse sous tension.



- Appuyez sur ce bouton Power pour alimenter votre sècheuse.
 - La lumière « Clean filter » dans la barre de processus clignotera 10 fois lorsque votre sècheuse est sous tension
 - Vous devez nettoyer le filtre avant de charger la sècheuse.

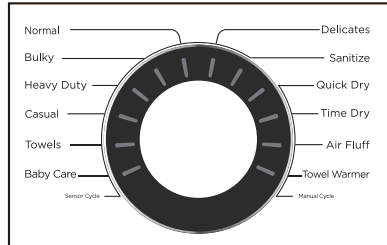


2. Chargez votre sècheuse.



- Placez une seule brassée dans votre sècheuse à la fois.
- Les mélanges de tissus lourds et légers se séchent différemment, ce qui peut entraîner la sécheresse des tissus légers tandis que les tissus épais restent humides à la fin d'un cycle de séchage.
- Ajoutez un ou plusieurs articles semblables à votre sècheuse lorsqu'un seul ou deux articles doivent être desséchés. Cela améliore l'action de la tumuse et l'efficacité de séchage.
- Le surchargement restreint l'action de la tumuse, ce qui entraîne un séchage irrégulier et une froissement excessive de certains tissus.

3. Sélectionnez le cycle approprié et les options de la charge.



- Sélectionnez le cycle approprié en utilisant le sélecteur de cycle selon le tableau du cycle à la page 38.
- Sélectionnez les options appropriées en utilisant les boutons selon le tableau à la page 38.



- **Votre cycle de séchage préféré**
Une fois que vous avez réglé la fonction de sélection de cycle et d'option, vous pouvez appuyer et maintenir enfoncé le « **MY CYCLE** » pendant 3 secondes pour enregistrer ce paramètre comme votre cycle préféré avant de démarrer l'unité.
- Lorsque vous voulez utiliser de nouveau votre cycle et vos paramètres sauvegardés, appuyez sur le « **MY CYCLE** » bouton.

4. Démarrez votre sècheuse.



Appuyer sur **START/PAUSE** le bouton Démarrer le cycle sélectionné. Pour **INTERROMPRE** la presse, appuyez sur **START/PAUSE** puis ouvrir la porte. Pour reprendre le fonctionnement après avoir fermé la porte, appuyez toujours sur **START/PAUSE**. L'ouverture de la porte pendant l'opération arrêtera immédiatement l'opération et nécessitera la pressage de la **START/PAUSE** pour reprendre l'opération.

Cycle	Type de tissu	Température sèche	Niveau de sécheresse	Séchage à temps	SOIN DE RIDES	SIGNAL SEC HUMIDE	RÉGLAGE DU TEMPS	ECO DRY	Heure par défaut	Montant max. de charge humide
Normal	Coton Sous usure Lin	High	Très sec	N	Y	Y	N	Y	63 min	
			Plus sec							
			Séchage normal							
			Moins sec							
			Humide							
Bulky	Couvertures Feuilles Douillette	Medium	Très sec	N	Y	N	N	Y	58 min	
			Plus sec							
			Séchage normal							
			Moins sec							
			Humide							
Casual	Sans plis copropriétaires synthétique tissus tricotés	Medium	Très sec	N	Y	Y	N	Y	31 min	
			Plus sec							
			Séchage normal							
			Moins sec							
			Humide							
Towels	Serviettes Lourd copropriétaires	High	Très sec	N	Y	Y	N	Y	55 min	
			Plus sec							
			Séchage normal							
			Moins sec							
			Humide							
Heavy Duty	Jeans Corduroys Travail vêtements	High	Très sec	N	Y	Y	N	Y	68 min	
			Plus sec							
			Séchage normal							
			Moins sec							
			Humide							
Baby Care	Enfants vêtements	High	Très sec	N	Y	N	N	N	42 min	
			Plus sec							
			Séchage normal							
Sanitize	Literie Rideaux	High	Très sec	N	Y	N	N	N	65 min	
Delicates	Sensible articles	Low	Très sec	N	Y	Y	N	Y	23 min	
			Plus sec							
			Séchage normal							
			Moins sec							
			Humide							
Air fluff		No Heat	/	Y	N	N	Y	N	20 min	
Time Dry	/	High	/	Y	Y	N	Y	N	40 min	
		Medium								
		Low								
		Ultra Low								
		No Heat								
Quick Dry		High	/	Y	Y	N	Y	Y	30 min	
		Medium								
		Low								
		Ultra Low								
		No Heat								
Towel Warmer	Serviettes	High	/	Y	N	N	Y	N	20 min	
		Medium								
		Low								
		Ultra Low								
		No Heat								

Sécheuse
SécuritéFonctionnement
ExigencesPièces et
CaractéristiquesInstructions
d'installationUtilisation de
la sécheuseEntretien des
sécheurs

Dépannage

Annexe

* La table en gris est un réglage initial. « Y » est toutes les fonctions facultatives que vous pouvez sélectionner.


* Pour un effet de séchage encore meilleur, veuillez sélectionner un niveau de sécheresse plus élevé.


* SUIVRE VÊTEMENTS ÉTIQUETTES EXIGENCES.


* Les heures par défaut peuvent changer automatiquement selon le contenu de l'humidité de votre charge spécifique.

Recommandations relatives à la taille de charge :

Pour obtenir de meilleurs résultats, suivre les recommandations de taille de charge humide indiquées pour chaque cycle.

 **Petite charge :** Remplissez le tambour de la sécheuse avec 3 à 4 articles, pas plus que / complet.

 **Charge moyenne :** Remplir le tambour de la sécheuse jusqu'à / complet.

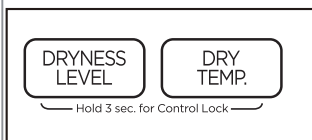
 **Grande charge :** Remplissez le tambour de la sécheuse jusqu'à / complet. Ne pas surcharger. Les articles doivent être isolés librement.

5. Décharger votre lessive.



- Une fois le cycle terminé, le voyant « Terminé » clignotera et la sécheuse émettra six bips.

VERROU DE CONTRÔLE



Votre sécheuse est dotée d'une fonction de verrouillage de commande pour empêcher les enfants de jouer avec votre sécheuse. Lorsque vous activez le verrou de commande, le seul bouton qui fonctionne est « **POWER** ».

- Vous pouvez allumer votre sécheuse, régler cette fonction, puis la désactiver.
- Lorsque vous le faites, même si l'appareil est sous tension, vous ne pouvez toujours pas le démarrer avant la désactivation de la fonction de verrouillage de commande.
- Cette fonction ne sera pas annulée si votre appareil perd de l'énergie, comme lorsque vous le débranchez ou si la mise hors tension s'arrête.

Appuyez sur la touche et maintenez-la enfoncée « **DRYNESS LEVEL** » et « **DRY TEMP** » pendant trois secondes.

Le verrou de commande s'allume.

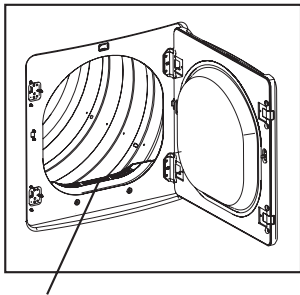
Pour désactiver le verrouillage de contrôle, appuyez sur la touche et maintenez-la enfoncée « **DRYNESS LEVEL** » et « **DRY TEMP** » pendant trois secondes.

ECO DRY



- Cette fonction réduira la consommation d'énergie en réduisant la température de séchage, mais en augmentant le temps de fonctionnement.

FILTRE PROPRE



Filtre antipeluches

Pour éviter un risque d'incendie, assurez-vous de nettoyer le filtre antipeluches avant ou après chaque charge.

- Pour réduire le temps de séchage.
- Pour une performance et une efficacité énergétique améliorées.

MISE EN GARDE

- Ne faites PAS fonctionner votre aspirateur sans le filtre en place.
- Ne pas utiliser de filtre à peluches endommagé ou endommagé. Cela peut réduire le rendement et/ou causer un incendie.

CONSEILS SPÉCIAUX POUR LA LESSIVE

Veillez suivre les directives de l'étiquette de soins ou du fabricant pour le séchage articles spéciaux. Si des instructions sur l'étiquette de soins ne sont pas disponibles, utilisez les renseignements suivants comme guide.

Articles	Guide de séchage
Couvre-lits et douillette	<ul style="list-style-type: none"> • Suivre les instructions sur l'étiquette de soins ou sécher dans le cycle Bulky. • Assurez-vous que l'article est bien sec avant d'utiliser ou de ranger. • Peut nécessiter un repositionnement pour assurer un séchage uniforme.
Couvertures	<ul style="list-style-type: none"> • Utilisez le cycle normal et séchez une seule couverture à la fois pour une meilleure action de flou. • Assurez-vous que l'article est bien sec avant d'utiliser ou de ranger. • Peut nécessiter un repositionnement pour assurer un séchage uniforme.
Rideaux et draperies	<ul style="list-style-type: none"> • Utilisez le cycle décontracté, la température moyenne et moins sèche pour minimiser les plis. • Séchez-les en petites brassées pour obtenir de meilleurs résultats et retirez-les dès que possible.
Couches en tissu	<ul style="list-style-type: none"> • Utilisez le cycle normal à température élevée pour les couches douces et moelleuses.
Articles remplis (vestes, sacs de nuit, réconfortants, etc.)	<ul style="list-style-type: none"> • Utilisez le cycle normal à température moyenne. • Ajoutez quelques serviettes sèches pour réduire le temps de séchage et l'humidité absorbée.
Caoutchouc mousse (robustes, jouets, blocs à épaulement, etc.)	<ul style="list-style-type: none"> • NE PAS sécher sur un réglage de chaleur. Utilisez le cycle de fluff (pas de chaleur). <p>AVERTISSEMENT : Sécher un article en caoutchouc avec de la chaleur en fait un risque ou un risque d'incendie.</p>
Oreillers	<ul style="list-style-type: none"> • Utilisez le cycle normal. • Ajoutez quelques serviettes sèches et une paire de chaussures de sport propres pour aider à l'action de flûtement et pour faire gonfler l'article. <p>NE PAS sécher les coussins kapok ou mousse dans la sècheuse. Vous pouvez sécher ces articles dans la sècheuse tant que vous utilisez le cycle de fluff.</p>
Plastiques (rideaux de douche, couvre-pierres de toit, etc.)	<ul style="list-style-type: none"> • Utilisez le cycle de fluff d'air ou le cycle de séchage à temps sec sur le réglage de température faible ou ultra-basse selon les instructions de l'étiquette de soins.

Articles à NE PAS sécher :

- Articles en fibre de verre (rideaux, draperies, etc.)
- Woolens, à moins d'indication contraire sur l'étiquette.
- Articles repérés ou trempés avec des huiles de légumes ou de cuisson.

ENTRETIEN DES SÈCHEURS

▲ AVERTISSEMENT

- Certaines pièces internes ne sont pas mises à la terre intentionnellement et peuvent présenter un risque de décharge électrique pendant l'entretien. Personnel du service - Ne pas communiquer avec les pièces suivantes pendant que l'appareil est sous tension : soupape d'entrée, tableau de commande et thermistance régulatrice de température (située sur le boîtier du ventilateur).

NETTOYAGE ET ENTRETIEN

PANNEAU DE COMMANDE

- Nettoyer avec un chiffon doux et humide. N'utilisez pas de substances abrasives.
- Ne vaporisez pas les nettoyants directement sur le panneau.
- Le panneau de commande peut être endommagé par certains produits de nettoyage et de détachant à lessive pré-traitement. Appliquez de tels produits loin de votre sècheuse et essuyez immédiatement les déversements ou les surpulvérisations.

ACIER INOXYDABLE OU TAMBOUR ANODISÉ

- Pour nettoyer l'acier inoxydable ou le tambour anodisé, utilisez un chiffon humide avec un nettoyant doux non abrasif convenant à l'acier inoxydable et aux surfaces anodisées.
- Enlever les résidus de nettoyant et sécher avec un chiffon propre.

EXTÉRIEUR DE LA SÈCHEUSE

- Nettoyer avec un chiffon doux et humide. N'utilisez pas de substances abrasives.
- Protéger la surface des objets tranchants.
- Ne placez aucun objet lourd ou tranchant ni aucune boîte de détergent sur la sècheuse. Conservez-les dans une boîte de rangement séparée. Cela peut égratigner ou endommager le couvercle supérieur de la sècheuse.
- Puisque la sècheuse complète a un fini très brillant, la surface peut être égratignée ou endommagée.
- Évitez de gratter ou d'endommager la surface lors de l'utilisation de la sècheuse.

SYSTÈME D'ÉCHAPPEMENT POUR SÈCHEUSE

- Doit être inspecté et nettoyé chaque année pour maintenir une performance optimale.
- Débrancher le conduit d'échappement de la sècheuse et de la hotte d'échappement (à la sortie d'échappement) à l'extérieur du bâtiment.
- Vérifier l'intérieur du conduit et enlever toute accumulation de peluches.
- Assurez-vous que le peluchage est retiré du capot d'échappement. Les peluches peuvent s'accumuler dans le capot d'échappement de sorte que les flappeurs ou les persiennes ne s'ouvrent pas ou ne se ferment pas complètement.

- Après avoir nettoyé le capot d'échappement, vérifiez que le clapet ou les persiennes se déplacent librement.
- Réassembler le conduit d'échappement et le capot, en vérifiant que les joints sont bien fixés et scellés.
- Faire fonctionner la sècheuse et vérifier que l'air d'échappement n'est pas obstrué dans l'évent et qu'il n'y a pas de fuite dans le système.
- Le capot d'échappement extérieur doit être nettoyé plus fréquemment pour assurer une opération adéquate.

Dépannage

VÉRIFIEZ CES SOLUTIONS SI VOTRE SÈCHEUSE...

Si votre sècheuse a un des problèmes suivants, vous pouvez vérifier les solutions énumérées ci-dessous avant de faire un appel de service. Cela vous aidera à économiser du temps et de l'argent.

Problème	Solution
L'appareil ne démarre pas	<ul style="list-style-type: none"> • Assurez-vous que la porte est verrouillée. • Assurez-vous que le cordon d'alimentation est branché dans une prise électrique en direct. • Vérifiez le disjoncteur et les fusibles du domicile. • Appuyez de nouveau sur le bouton Démarrer/Pause si la porte est ouverte pendant le cycle.
L'appareil ne chauffe pas	<ul style="list-style-type: none"> • Vérifiez le disjoncteur et les fusibles du domicile. • Sélectionnez un réglage de chaleur autre que le scénario Air fluff et vérifiez que la sélection de temp n'est pas « No heat ». • Nettoyer le filtre antipeluches et le conduit d'échappement. • La sècheuse peut être déplacée dans le processus de refroidissement du cycle.
Ne sèche pas.	<ul style="list-style-type: none"> • Cochez toutes les réponses ci-dessus, plus... • Assurez-vous que le capot d'échappement à l'extérieur de la maison peut s'ouvrir et se fermer librement. • Vérifier l'accumulation de peluches dans le système d'échappement. Les conduits doivent être inspectés et nettoyés chaque année. • Utiliser un conduit d'échappement rigide en métal de 4 po. • Ne surchargez pas. 1 brassée = 1 charge sèche. • Trier les articles lourds des articles légers. • De grands articles volumineux comme des couvertures ou des couettes peuvent nécessiter un repositionnement pour assurer un séchage uniforme. • La charge peut être trop petite pour se culbuter correctement. Ajoutez quelques serviettes.

Problème	Solution
L'appareil est bruyant.	<ul style="list-style-type: none"> • Vérifier la charge pour des objets tels que pièces, boutons lâches, clous, fermetures à glissière brisées, etc. Retirez rapidement. • Il est normal d'entendre la vanne de le cycle de chauffage sous tension et hors tension pendant le cycle de séchage. • Assurez-vous que la sécheuse est correctement nivelée comme indiqué dans les instructions d'installation. • Il est normal que la sécheuse freine en raison de la grande vitesse de déplacement d'air dans le tambour et le système d'échappement.
Les vêtements sont séchés inégalement.	<ul style="list-style-type: none"> • Les joints, les poches et les autres zones difficiles de même nature ne peuvent être complètement secs lorsque le reste de la charge atteint le niveau de sécheresse sélectionné. C'est normal. Sélectionnez le réglage Extra sec si désiré. • Si un produit lourd est séché avec une charge légère, comme une serviette avec des feuilles, il est possible que l'article lourd ne soit pas complètement sec lorsque le reste de la charge a atteint le niveau de sécheresse sélectionné. Trier les articles lourds des articles légers pour obtenir les meilleurs résultats de séchage.
S'arrête avant que la charge ne soit sèche.	<ul style="list-style-type: none"> • La charge de la sécheuse est trop petite. Ajoutez plus d'articles ou quelques serviettes et recommencez le cycle. • La charge de la sécheuse est trop grande. Retirez certains articles et redémarrez la sécheuse.
L'appareil présente une odeur caractéristique.	<ul style="list-style-type: none"> • Les odeurs domestiques provenant de peinture, de vernis, de nettoyants forts, etc. peuvent entrer dans la sécheuse avec l'air ambiant. C'est normal puisque la sécheuse aspire l'air de l'espace ambiant environnant des emplacements de la sécheuse. • Lorsque ces odeurs se trouvent dans l'air, ventiler complètement la pièce avant d'utiliser la sécheuse.
Odeurs restées dans la fermeture après actualisation	<ul style="list-style-type: none"> • Les tissus contenant des odeurs fortes doivent être lavés à l'aide du cycle de lavage désiré.
Vêtements encore ridés après ride-prevent	<ul style="list-style-type: none"> • De petits chargements de 1 à 4 articles fonctionnent mieux. • Chargez moins de vêtements. Charger des vêtements similaires.
Peluche sur les vêtements	<ul style="list-style-type: none"> • Nettoyez le filtre antipeluches avant chaque cycle. • Certains tissus sont des producteurs de peluches (par exemple, une serviette en coton blanc pelucheux) et doivent être séchés séparément des vêtements qui sont des trappeurs à peluches (par exemple, une paire de pantalons en lin noir). • Diviser les charges plus grandes en plus petites charges pour le séchage. • Vérifiez soigneusement les poches avant de laver et de sécher les vêtements.




































CODES D'ERREUR

Code d'erreur	Cause possible	Solution
E9	Échec de la PCB.	Appelez le centre de service pour obtenir de l'aide.
E4	Le capteur d'humidité a échoué.	L'unité terminera le cycle d'exploitation actuel, mais les vêtements pourraient être séché. L'unité peut toujours fonctionner sous les cycles de temps. Appelez le centre de service pour obtenir de l'aide.
E5	Le capteur de température a échoué.	Appelez le centre de service pour obtenir de l'aide.

ANNEXE

TABLEAU DES SOINS TEXTILES

Les symboles suivants fournissent des directives pour les soins du vêtement. Les étiquettes de soins de vêtements comprennent des symboles pour le lavage, le blanchiment, le séchage et le repassage, ou le nettoyage à sec, au besoin. L'utilisation de symboles assure la cohérence entre les fabricants de vêtements des articles nationaux et importés. Suivez les directives de l'étiquette de soins pour maximiser la durée de vie du vêtement et réduire les problèmes de lavage.

Cycle de lavage		Instructions spéciales		Symboles d'avertissement pour le blanchiment	
	Normal		Ligne sèche/sèche à sec		Ne pas laver
	Presse permanente / Résistant aux rides / Contrôle de la froideur		Séchage par goutte		Ne pas faire de wring
	Doux/Déliçats		Sécher à plat		Ne pas javelliser
	Lavage à la main	Réglage de la chaleur			Ne pas sécher à la culasse
Température de l'eau**			Élevé		Aucune vapeur (ajoutée au fer)
	Chaud		Moyen		Ne pas repasser
	Assez chaud		Faible	Nettoyage à sec	
	Froid		Toute chaleur		Nettoyage à sec
Javellisant			Pas de chaleur/d'air		Ne pas sécher à sec
	Tout javellisant (au besoin)	Températures de séchage à la vapeur ou à la vapeur			Ligne sèche/ Suspendre à sec
	Seulement sans chlore (sans danger pour les couleurs) (au besoin)		Élevé		Séchage par goutte
	Cycle sec par culbutage		Moyen		Sécher à plat
Normal			Faible		
	Presse permanente/ Résistant aux rides/ Contrôle de la froideur		Pour la laine lavable à la machine. Les charges devraient être moins de 8 livres.		
	Doux/Déliçats				

** Le nombre de points représente les températures de lavage appropriées pour divers articles. La plage de température pour le chaud est de 105° à 125°F/41° à 52°C, pour une température de 85° à 105°F/29° à 41°C et pour un froid de 60° à 85°F/16° à 29°C.

MIDEA BUANDERIE SÈCHEUSE GARANTIE LIMITÉE

JOIGNEZ VOTRE REÇU ICI. UNE PREUVE D'ACHAT EST REQUISE POUR OBTENIR LE SERVICE DE GARANTIE.

Veillez avoir les renseignements suivants disponibles lorsque vous appelez le Centre de service à la clientèle :

- Nom, adresse et numéro de téléphone
- Numéro de modèle et numéro de série
- Une description claire et détaillée du problème
- Preuve d'achat, y compris le nom et l'adresse du dépositaire ou du détaillant, et la date d'achat

SI VOUS AVEZ BESOIN DE SERVICE :

1. Avant de communiquer avec nous pour organiser le service, veuillez déterminer si votre produit nécessite une réparation. Certaines questions peuvent être abordées sans service. Veuillez prendre quelques minutes pour consulter la section Dépannage du manuel d'utilisation ou envoyer un courriel à customerserviceusa@midea.com.
2. Tous les services de garantie sont fournis exclusivement par nos fournisseurs de services Midea autorisés, aux États-Unis et au Canada.

Service à la clientèle Midea

Aux États-Unis ou au Canada, composez le 1-866-646-4332 ou envoyez un courriel à customerserviceusa@midea.com.

Si vous êtes à l'extérieur des 50 États des États-Unis ou du Canada, communiquez avec votre concessionnaire autorisé Midea pour déterminer si une autre garantie s'applique.

GARANTIE LIMITÉE

CE QUI EST COUVERT

GARANTIE LIMITÉE DE PREMIÈRE ANNÉE (PIÈCES ET MAIN-D'ŒUVRE)

Pendant un an à compter de la date d'achat, si cet appareil majeur est installé, exploité et entretenu conformément aux instructions fixées ou fournies avec le produit, Midea America (Canada) Corp. (ci-après « Midea ») paiera les pièces de rechange spécifiées en usine et la main-d'œuvre réparée pour corriger les défauts de matériaux ou de fabrication qui existaient lorsque cet appareil majeur a été acheté, ou à sa seule discrétion remplaçant le produit. En cas de remplacement de produit, votre appareil sera garanti pour la durée restante de la période de garantie de l'unité originale.

VOTRE SEUL RECOURS EXCLUSIF EN VERTU DE LA PRÉSENTE GARANTIE LIMITÉE EST LA RÉPARATION OU LE REMPLACEMENT DE PRODUITS, TEL QUE PRÉVU AUX PRÉSENTES. Le service doit être fourni par une entreprise de service désignée par Midea. Cette garantie limitée est valide uniquement dans les 50 États des États-Unis ou du Canada et s'applique uniquement lorsque l'appareil majeur est utilisé dans le pays où il a été acheté. Cette garantie limitée est effective à partir de la date d'achat d'origine du consommateur. Une preuve de la date d'achat originale est requise pour obtenir le service en vertu de la présente garantie limitée.

GARANTIE LIMITÉE

CE QUI N'EST PAS COUVERT

1. Usage commercial, non résidentiel ou multifamilial, ou utilisation incompatible avec les instructions d'utilisateur, d'opérateur ou d'installation publiées.
2. Instructions à domicile sur la façon d'utiliser votre produit.
3. Service pour corriger l'entretien ou l'installation inappropriée des produits, installation non conforme aux codes électriques ou correction du système électrique domestique (p. ex. câblage interne, fusibles, etc.).
4. Pièces consommables (c.-à-d. ampoules, piles, filtres à air ou à eau, etc.).
5. Défauts ou dommages causés par l'utilisation de pièces ou d'accessoires Midea non authentiques.
6. Les dommages causés par un accident, une mauvaise utilisation, un abus, un incendie, des inondations, des problèmes électriques, un cas de force majeure ou une utilisation avec des produits non approuvés par Midea.
7. Réparations des pièces ou systèmes pour corriger les dommages ou défauts du produit causés par un entretien, une modification ou une modification non autorisés de l'appareil.
8. Les dommages esthétiques, y compris les égratignures, les bosses, les éclats et autres dommages aux finis d'appareils, à moins que ces dommages ne résultent de défauts de matériaux et de fabrication et qu'ils soient signalés à Midea dans les 30 jours.
9. Entretien régulier du produit.
10. Produits achetés « tels quels » ou comme produits remis à neuf.
11. Produits transférés de son propriétaire initial.
12. Décoloration, rouille ou oxydation des surfaces résultant d'environnements caustiques ou corrosifs, y compris, mais sans s'y limiter, des concentrations élevées de sel, une humidité élevée ou une humidité ou une exposition aux produits chimiques.
13. Ramassage ou livraison. Ce produit est destiné à la réparation à domicile.
14. Frais de déplacement ou de transport pour le service dans des endroits éloignés où un servicer autorisé Midea n'est pas disponible.
15. Retrait ou réinstallation d'appareils inaccessibles ou de dispositifs intégrés (p. ex., garnitures, panneaux décoratifs, planchers, armoires, îles, comptoirs, cloisons sèches, etc.) qui interfèrent avec l'entretien, le retrait ou le remplacement du produit.
16. Service ou pièces pour appareils avec numéros de modèle/série originaux enlevés, modifiés ou mal identifiés.

Le coût de réparation ou de remplacement dans ces circonstances exclues sera assumé par le client.

EXONÉRATION DE GARANTIES IMPLICITES

LES GARANTIES IMPLICITES, Y COMPRIS TOUTE GARANTIE IMPLICITE DE QUALITÉ MARCHANDE OU D'ADAPTATION À UN USAGE PARTICULIER, SONT LIMITÉES À UN AN OU À LA PÉRIODE LA PLUS COURTE PERMISE PAR LA LOI. Certains États et provinces ne permettent pas de limiter la durée des garanties implicites de qualité marchande ou d'adaptation à la condition physique, de sorte que cette limitation peut ne pas s'appliquer à vous. La présente garantie vous confère des droits précis reconnus par la loi et vous pouvez également avoir d'autres droits qui varient d'une juridiction à l'autre.

EXCLUSION DE DÉCLARATIONS HORS GARANTIE

Midea ne fait aucune déclaration sur la qualité, la durabilité ou le besoin d'entretien ou de réparation de cet appareil majeur autre que les déclarations contenues dans la présente garantie. Si vous désirez une garantie plus longue ou plus complète que la garantie limitée qui accompagne cet appareil majeur, vous devez demander à Midea ou à votre détaillant d'acheter une garantie prolongée.

LIMITATION DES RECOURS; EXCLUSION DES DOMMAGES ACCESSOIRES ET INDIRECTS

VOTRE SEUL RECOURS EXCLUSIF EN VERTU DE LA PRÉSENTE GARANTIE LIMITÉE EST LA RÉPARATION DE PRODUITS, TEL QU'IL EST PRÉVU AUX PRÉSENTES. MIDEA NE PEUT ÊTRE TENUE RESPONSABLE DES DOMMAGES ACCESSOIRES OU INDIRECTS. Certains États et certaines provinces n'autorisent pas l'exclusion ou la limitation des dommages accessoires ou consécutifs, donc la limitation ou l'exclusion ci-dessus peut ne pas s'appliquer à votre cas. La présente garantie vous confère des droits précis reconnus par la loi et vous pouvez également avoir d'autres droits qui varient d'une juridiction à l'autre.

RENSEIGNEMENTS SUR L'INSCRIPTION

PROTÉGEZ VOTRE PRODUIT :

Nous conserverons le numéro de modèle et la date d'achat de votre nouveau produit Midea dans le dossier pour vous aider à consulter ces renseignements en cas de réclamation d'assurance comme un incendie ou un vol.

Inscrivez-vous en ligne à www.midea.com/ca/support/Product-registration

OU

Veillez remplir et retourner l'adresse à l'adresse suivante :

Midea America Corp. 759 Bloomfield Ave #386, West Caldwell, NJ 07006-6701

------(détacher ici) -----

Nom	Modèle : Carte :	Numéro de série :
Adresse :	Date d'achat : Nom du magasin/dépositaire :	
Ville : État : Code postal :	Adresse de courriel :	
Indicatif régional : Numéro de téléphone :		
Avez-vous acheté une garantie supplémentaire :	Comme résidence principale :	
Comment avez-vous appris ce produit : <input type="checkbox"/> Publicité <input type="checkbox"/> Démonstration en magasin <input type="checkbox"/> Démonstration personnelle		

Les renseignements recueillis ou soumis à nous sont uniquement offerts aux employés internes de la société aux fins de communiquer avec vous ou de vous envoyer des courriels, selon votre demande d'information et les fournisseurs de services de la société aux fins de prestation de services liés à nos communications avec vous. Toutes les données ne seront pas partagées avec d'autres organisations à des fins commerciales.

Midea America (Canada) Corp.
Markham, ON L3R 8V2
Service à la clientèle : 1-866-646-4332

Fabriqué en Chine



make yourself at home