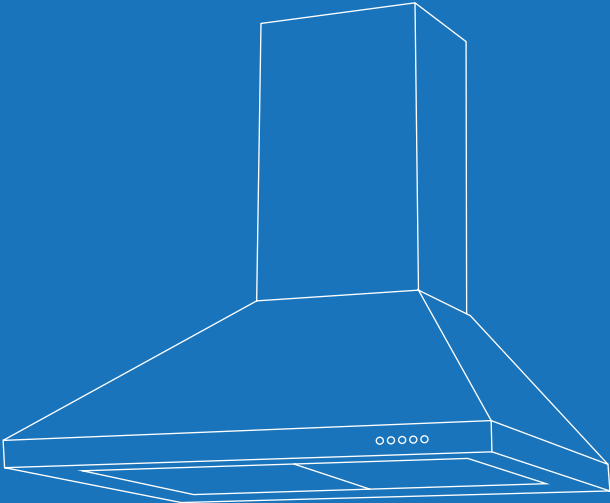


Range Hood

HME030417N



Thank you for selecting our quality product. Please be sure to read this user manual carefully before using. Any question, please contact the professional service for help.

In the event this product malfunctions or customer believes it is defective, the customer should contact Customer Service and retain the defective product pending further instructions. Defective product should be clearly marked or stored where it cannot be used again by mistake. Failure to retain the product may impede hOme™'s ability to correct any legitimate problem and may limit the extent to which hOme™ may provide recourse.

TABLE OF CONTENTS

Important Safety Instructions	6-8
Installation	9-19
Operating Instructions	20
Cleaning and Maintenance	21-23
Troubleshooting	24
Warranty	25
Manufacturing Info	25
Warning	25
Contact Us	25

Congratulations

on bringing home your new appliance!





Don't forget to register your product at homelabs.com/reg for updates, coupons, and other relevant information.


Although greatly appreciated, product registration is not required to activate any warranty.


Important Safety Instructions

- READ ALL INSTRUCTIONS BEFORE INSTALLING AND OPERATING THIS APPLIANCE.

 **WARNING**
Excessive Weight
Require three or more persons to move and install this range hood. Spinal or other bodily injuries could occur if it is not followed.

 **WARNING**
Severe Injury
Rotating fan can cause severe injury. Stay clear of fan when power is present.

 **WARNING**
Hazard of electrical shock!
Do not perform service on an electrically live system. Disconnect the main electrical supply before servicing this device. Touching electrical connectors or other exposed electrical circuitry inside this range hood when they are energized could result in death, serious bodily injury, or property damage.

 **WARNING** **Hazard of Burns!**
Light bulb becomes extremely hot when turned on. Do not touch it until it cools down. Touching hot bulbs could cause serious burns.

- The manufacturer and/or distributor/reseller declines all responsibility in the event of failure to observe the instructions given here for installation, maintenance and suitable use of the product. The manufacturer and/or distributor/reseller further declines all responsibility for injury due to negligence and the warranty of the unit automatically expires due to improper maintenance. The manufacturer and/or distributor/reseller will not be held responsible for any damages to personal property or real estate or any bodily injuries whether caused directly or indirectly by the range hood.
- Disconnect the product before doing any maintenance job on the range hood.
- Do not spray the range hood with water directly.
- When using the range hood with flammable gas, keep a good air flow in the kitchen to avoid hazard.
- Do not burn directly under the range hood.
- Do not share duct with other flammable gas pipes.
- Children shall not play with the appliance. Cleaning and user maintenance shall not be made by children without supervision.
- There is a fire risk if cleaning is not carried out in accordance with the instructions.
- Accessible parts may become hot when using with cooking appliances.
- The air must not be discharged into a flue that is used for exhausting fumes from appliances burning gas or other fuels.
- Fulfill the regulations concerning the discharging of air.
- If the supply cord is damaged, do not operate the appliance. It must be replaced by the manufacturer, its service agent or similarly qualified persons in order to avoid a hazard.
- The appliance is not to be used by persons (including children), with reduced physical, sensory or mental capabilities, or lack of experience and knowledge, unless they have been given supervision or instruction.
- Disconnect the power supply before cleaning, repairing, replacing light bulb or dismantling the range hood.
- There should be adequate ventilation in the room when the range hood is used along with appliance that burns gas.

Important Safety Instructions

- To prevent fire hazard in case of oil build-up, the turbine impellers and other easily-soiled parts must be cleaned at least twice a month.
- Your safety and the safety of others is very important. We have provided many important safety messages in this manual and on your appliance. Always read and obey all safety messages.
- Installation and electrical wiring must be done by qualified professionals according to all applicable codes and standards, including fire-rated construction. Do not attempt to install this appliance yourself. Damage or Injury may result.
- Before you connect the appliance, ensure that the voltage indicated on the appliance corresponds to the local power voltage.
- Connect the power and switch on the motors and lighting system to check the operation.
- Due to the size and weight of this range hood, arrange at least two people to install this product, otherwise may cause risk of fire, electric shock or personal injury.
- The product may have very sharp edges, if necessary, wear protective gloves to remove any parts during installing, cleaning or servicing.
- Ensure any nearby electrical services are off and stay off until the completion of installation to reduce the risk of electrical shock, short-circuit, electrical spark which may cause injury or damage.
- This product is for general ventilating use only. Do not use it to exhaust hazardous or explosive materials or vapors.
- To reduce the risk of fire and to disperse air properly, make sure to vent air outside. Sufficient household air flow is required for the proper combustion of fuel-burning heating equipment and the exhaustion of their gases.
- Ducted fans must always be vented to the outdoors.
- Do not vent exhaust into spaces between walls, crawl spaces, ceiling, attics or garages.
- To avoid the possibility of a grease fire, any old duct work should be cleaned or replaced if necessary. Check all joints on duct work to ensure proper connection. All joints should be properly taped.
- Use only metal ductwork and this unit must be grounded.
- Before maintaining or cleaning the unit, switch power off at service panel. Lock service panel to prevent power from being switched on accidentally.
- When cutting or drilling into wall or ceiling, be careful not to damage electrical wiring or other hidden utilities.
- All electrical wiring must be properly installed, insulated and grounded.
- Use this unit only in the manner intended by the manufacturer. If you have questions, contact the vendor.
- Do not touch the bottom side of the range hood after usage until it gets cooled.
- Plug in and test this product and all its functions before scheduling an installer.

Important Safety Instructions

TO REDUCE THE RISK OF A STOVE TOP GREASE FIRE:

- Clean grease laden surfaces frequently.
- Clean ventilating fan frequently.
- Keep all surfaces clean from grease or oil building up.
- Grease should not be allowed to accumulate on the fan, spaces, filter, grease tunnel or oil container.
- Always turn on the range hood when cooking at high heat or when cooking flaming foods. Use high settings on cooking range only when necessary.
- Never leave the burners or the counter top at high settings unattended.

TO REDUCE THE RISK OF INJURY TO PERSONS IN THE EVENT OF A STOVE TOP GREASE FIRE:

- Smother flames with a close-fitting lid, cookie sheet, or metal tray, then turn off the burner. Be careful to prevent burns. Never pick up a flaming pan - you may be burned. Keep flammable or combustible material away from the flames. If the flames is not put out immediately, evacuate and call the fire department or dial your local emergency service immediately.
- Do not use water, including wet dishcloths or towels, a violent steam explosion may result.
- Use an extinguisher ONLY if:
 - You have a Class A, B, C extinguisher, and you already know how to operate it.
 - The fire is small and contained in the area where it is started.
 - The fire department is being called.
 - You can fight the fire while maintaining a safe exit path.

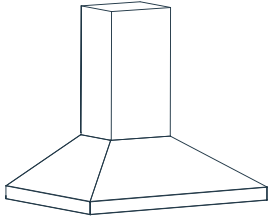
TO REDUCE THE RISK OF INJURY TO PERSONS IN THE EVENT OF A GAS LEAK:

- Extinguish any open flame.
- Do not turn on the range hood fan or any type of ventilator.
- Do not turn on the lights or any type of appliance.
- Open all doors and windows to disperse the gas. If you still smell gas, call the gas company and fire department, or dial your local emergency service immediately.

SAVE THESE INSTRUCTIONS
For Household Use Only

Installation

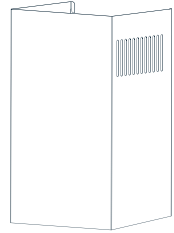
PARTS SUPPLIED



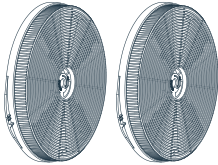
Range Hood



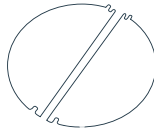
Lower Chimney



Upper Chimney



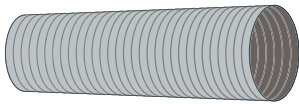
Charcoal Filter
(Sold Separately)



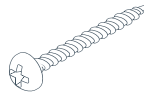
Draft Damper Flaps



Chimney
Mounting Bracket



Flexible Duct Tube



(A)

Qty: 9 PCS



(B)

Qty: 2 PCS



Range Hood Hook



(C)

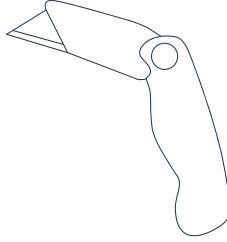
Qty: 9 PCS

Installation

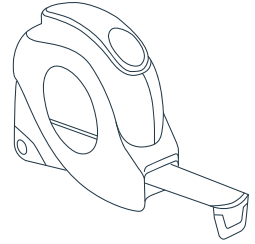
TOOLS NEEDED



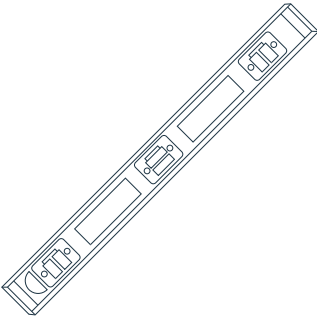
Marker or pencil



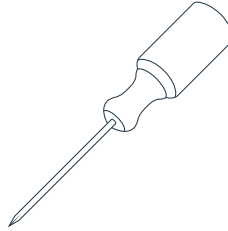
Utility Knife



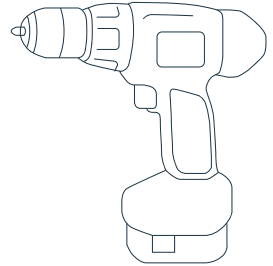
Measuring Tape



Level



Flat & Phillips
Screwdrivers



Powered Drill

Installation

VENTING REQUIREMENTS

- Vent system must be terminated to the outside (roof or side wall).
- Do not terminate the vent system in an attic or other enclosed area.
- Do not use 4 inches (10 cm) laundry-type wall caps.
- Use metal/aluminum ducting only. It is better to use rigid metal/aluminum ducting.
- Always keep the duct clean to ensure proper airflow.
- Measure the following distances before installation:
 1. Distance from the floor to the ceiling. (Should be less than 59 feet).
 2. Distance between the floor to the counter top/stove. (26 inches to 30 inches is recommended).
 3. Distance between the counter top/stove to the range hood. (26 inches to 30 inches is recommended).
 4. Height of range hood body and the combined chimney covers.

For most efficient & quietest operation:

- A distance of 26 inches to 30 inches is recommended between the stove top and the bottom of range hood. 26 inches is the lowest recommended distance for safe operation. 30 inches is recommended for most efficient operation.
- It is recommended that the range hood be vented vertically through the roof through 6 inches (15 cm) or larger round metal/aluminum vent work.
- The size of the vent should be uniform.
- Use no more than three 90° elbows.
- For best results, attempt to make a minimum of 24 inches (61 cm) of straight vent between the elbows if more than one elbow is used.
- Do not install two elbows together.
- The length of vent system and number of elbows should be kept to a minimum to provide efficient performance.
- The vent system must have a damper.
- If the roof or wall cap already has a damper, the supplied damper should not be used (if applicable).

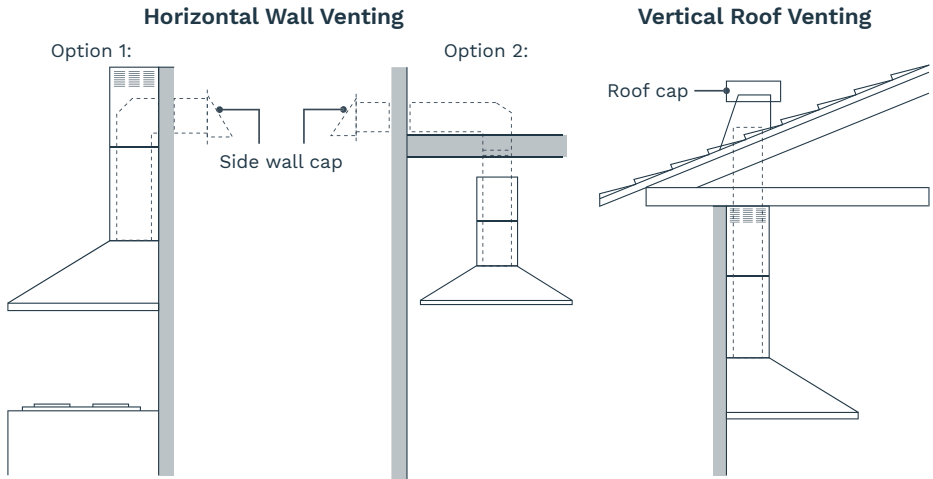
Installation

VENTING METHODS

- This range hood is set for venting through the roof or wall by default.
- Vent work can terminate either through the roof or wall. To vent through a wall, a 90° elbow is needed.

IMPORTANT NOTE

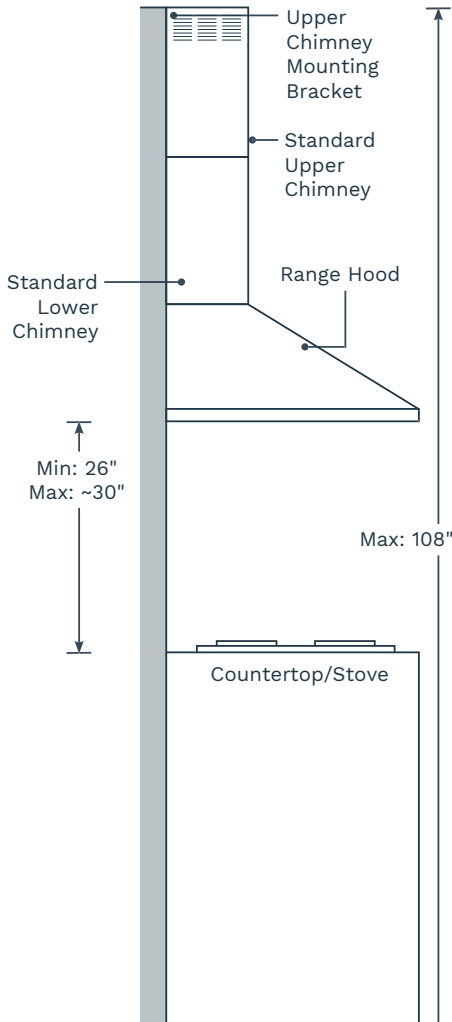
- Never exhaust air or terminate duct work into spaces between walls, crawl spaces, ceiling, attics or garages. All exhausts must be ducted to the outside.
- Use metal/aluminum duct work only.
- Fasten all connections with sheet metal screws and tape all joints with certified duct tape or equivalent.
- Use caulking to seal exterior wall or roof opening around the cap.



Installation

HEIGHT AND CLEARANCE

- Max ceiling clearance: 108 inches
- Max mounting height above counter top/stove (vary with different model): 30 inches.



- Use duct tape or equivalent to seal all joints in the vent system.
- Use caulking to seal exterior wall or roof opening around the cap.
- Due to different ceiling height configurations, recommended height may not be applicable.
- A minimum of 6 inches round (standard for this range hood) must be used to maintain maximum airflow efficiency.
- A flexible 6 inches round duct is provided for convenience and for use in difficult installations. Always attempt to use a smooth metal/aluminum rigid type of ducting to maximize the airflow efficiency.
- Always reduce the number or transitions and turns. If a long duct run is required, increase the duct size to 7 or 8 inches. If a reducer is used, install a long reducer instead of a pancake reducer. Any reductions of duct size will restrict and decrease the airflow. To maximize airflow efficiency, place any reducers furthest away from any bends or transitions.
- If turns or transitions are required, install them as evenly as possible, and as far away from the range hood as possible.
- Refer to “Duct Size Upgrade Calculator” on page 14 to compute the total available duct run when using elbows, transitions and caps.
- Install the range hood at the proper mounting height. Mounting the range hood too low is unsafe and could result in heat damage and fire hazard. If the range hood is mounted too high, it will be harder to be reached and will lose general effectiveness.
- Minimum mount height between stove top and the hood bottom should be no less than 26 inches.
- Also can refer to stove top manufacturer’s height clearance requirements and recommended hood mounting height range.
- Due to different ceiling height configurations, recommended height may not be applicable.

Minimum Duct Size:

- Round - 6 inches minimum

Installation

DUCT SIZE UPGRADE CALCULATOR

- Recommended minimum duct size is 6 inches round.
- Recommended maximum duct length is 50 feet. When duct length is over 50 feet, use a duct with larger diameter.
- Record the required estimated duct length. Record the number of bends, angle of bends, and any needed transitional pieces. Each bend or transition will reduce air flow and reduce the recommended duct length.

DUCT DEDUCTION CALCULATION

Duct Deductions:	
Each 90° bend	9 ft
Each 45° bend	5 ft
Each 6" to 3 ¼" × 10" transition	7 ft
Side wall cap with damper	1 ft
Roof Cap (with factory Damper)	1 ft

Example:

(1) 90° bend, (1) 3¼" × 10" transition,
(2) 45° bends, (1) sidewall cap with damper
(with factory damper not installed)

$$-9\text{ft} + -7\text{ft} + -5\text{ft} + -5\text{ft} + -1\text{ft} = -27\text{ft}$$

Deduct 27 feet from 50 feet, giving you 23 feet of available straight ducting before it is recommended to upgrade your ducting size.

INSTALL THE CHARCOAL FILTER

1. Remove the grease filters from the range hood.
2. Position the charcoal filters onto both side of the motor housing, align the mounting points, and then turn the filters until lock well.
3. Re-install the filters.
4. Recommend to replace the charcoal filters after 120 hours of use (or approximately every 2 to 3 months based on the average of 1 to 2 hours of daily cooking time).

Installation

ELECTRICAL REQUIREMENTS

Observe all governing ordinances and local codes and consult with a qualified electrician for any electrical wiring problems. It is the customer's responsibility:

- To contact a qualified electrical installer.
- To assure that the electrical installation is adequate and in compliance with National Electrical Code and all local codes and ordinances.
- Provide a circuit protected power service, preferably a Ground Fault Circuit Interrupter ("G.F.C.I."): 120-volt, 60 Hz, AC, with at least 2-amps of available service.
- Enlist a qualified electrician to ensure the range hood and electrical lines are adequately grounded and properly protected. Never electrically ground to a gas pipe.

IMPORTANT NOTE:

- Save this Installation Guide for future reference and/or electrical inspector use.
- The range hood should be connected with a circuit breaker protected power service.
- Wire sizes (copper wire only) and connections must conform with the rating of the appliance as specified on the model/serial rating label.

PREPARATION

Advanced Preparations

- Place the range hood on a flat, stable surface. Connect the range hood to a designated standard outlet. Turn on the range hood to test if it works well. Then turn it off.
- Place all supplied parts and required hardwares on a flat, stable surface.
- Carefully remove the white plastic protective coat from the chimney covers and the range hood.
- Determine whether your household ducting has a draft damper system. Only one draft damper system is recommended for proper efficiency.
- Install the draft damper system onto the range hood before installing the range hood. If you are using a draft damper system within the household ducting, the draft dampers are not needed to be used on the range hood.



WARNING

Excessive Weight

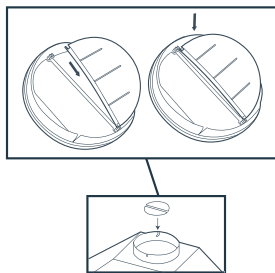
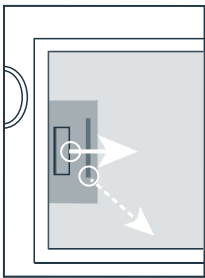
Require three or more persons to move and install this range hood. Spinal or other bodily injuries could occur if it is not followed.

Installation

Preparations

NOTE: To avoid damage to your range hood, prevent debris from entering the vent openings. Determine and mark the center line on the wall where the range hood will be installed. Make sure there is proper clearance within the ceiling or wall for exhaust vent.

1. Due to the weight and size of this unit, make sure that the support system or framework being used is stable and secure in the wall or ceiling.
2. Put a thick, protective covering over the counter top to protect from damage or dirt. Remove any hazardous objects around the installing area.
3. Mark the position of the support mounting bracket holes, ducting cutout (if used) and power supply cable cutout on the wall or ceiling behind the chimney. Use a drill and saber saw or keyhole saw to cut openings for power supply cable and ducting (see “Venting requirements” and “Electrical requirements”).
4. If venting to the outside, install the vent system (see “Venting Methods”). Use caulking to seal the exterior wall or roof openings.
5. Disconnect main electrical supply, prepare and run electrical wiring through ceiling or wall. Install a power outlet within reaching distance of the range hood assembly. Do not restore power until installation is completed.
6. Disconnect power cord, remove the filter by pressing on the latch toward the direction of solid arrow while holding the metal handle. Gently pull the aluminum filter toward the direction of dashed arrow.
7. Set aside the filters and grease cup until the range hood is properly installed.
8. If the range hood comes with a glass canopy and has not already been mounted to the hood, loosen the four canopy screws and washers from the hood top, carefully place the canopy on the hood top, and loosely tighten the four canopy screws along with washers. Do not put excessive pressure against the glass.



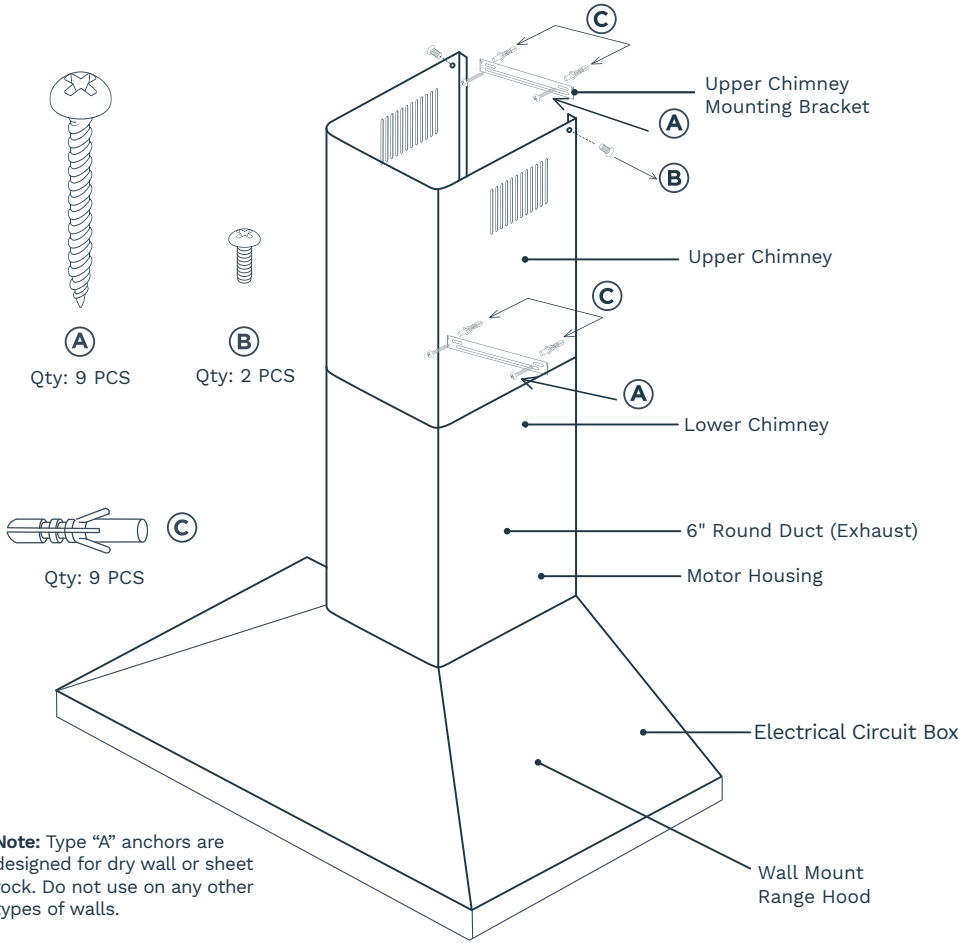
WARNING

Severe Injury

Rotating fan can cause severe injury. Stay clear of fan when power is present.

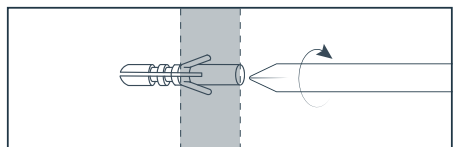
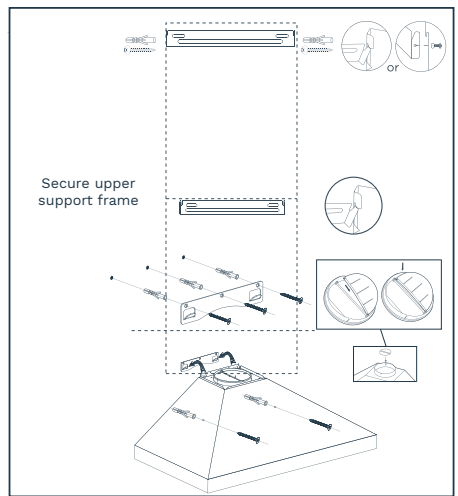
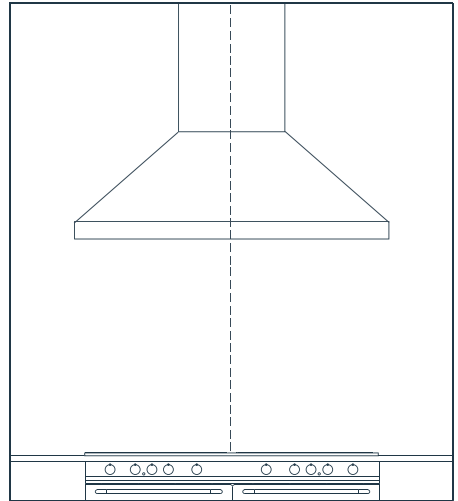
Installation

INSTALLATION OVERVIEW



Installation

- 1. Confirm the location to install your range hood**
Confirm the centerline and side measurements of each piece of hardware. Use removable tape, pencil, or erasable marker to mark the installation position. Measure the height between the stove top and the bottom edge of your range hood and make sure it is between 26 and 30 inches. Due to different ceiling height, this recommended height range may not be applicable.
- 2. Determine offset height of the mounting bracket**
Temporarily fit the mounting bracket on to its mounting position on the range hood, note its orientation and how it is mounted on to the range hood body. Mark the location of the mounting bracket on the installation surface.
- 3. Mark screw hole locations**
Use your marked location of the bottom of the range hood, measure upward the distance of the mounting bracket offset, found in the previous step. Mark in the center of the installation surface, this will be your center screw location. Use the bracket centered on the wall with a level, mark the location of the other screws. Use a power drill to drill the screw holes, make sure not drill into any power cables, wires or pipes.
- 4. Install the range hood bracket**
Double check if your bracket is level, then mount the bracket on the wall. Utilize all provided hardware as they are designed as a system for a safe installation. Fasten as many mounting points as possible into a wall stud, structural or sub-frame for a secure result.
- 5. Position the range hood**
With the help of an extra person, lift the range hood body and hang it onto the mounting bracket to check the alignment. Be careful that the mounting bracket can only support the range hood temporarily during the alignment. After the range hood is aligned and level, mark the mounting hole locations inside the cavity of the range hood. Drill holes according to those marks, then mount the range hood to the wall carefully. Do not drill into any wires, cables or pipes.
- 6. Mark chimney mounting bracket**
Screw the upper chimney onto the chimney mounting bracket. Temporarily place the lower chimney onto the range hood and place its mounting bracket into place and mark its installation holes. Remove the lower chimney. Mark the screw hole locations of the upper chimney. The upper chimney must be flush against the wall, if there is any crown molding or fixtures in the way, these items must be modified. Ensure the chimneys and mounting brackets are level and centered.



Installation

7. Drill chimney mounting bracket holes

Drill all mounting holes marked in the prior step. Install the mounting bracket using the provided hardware. Do not mount the chimneys and extensions until after step 9.

8. Install the duct, connect power and test

Install the duct onto the household ducting first and then allow the duct to extend downward. Allow about 6 inches of extra ducting passes the duct mounting surface of the range hood and cut off any excess. Connect the flexible duct onto the ducting of the range hood. Only use certified duct tapes, adhesives, fixtures or hardware for all ducting installation as permitted by local codes.

Connect power: Install the power plug into a certified electrical socket. Ensure any excess wiring is tied together or tucked away and power is turned off while installing.

Test: Check that the area is free from debris, then test the functions of the range hood. It is recommended to test the hood before and after ducting is installed. After testing turn the power off before continuing.

9. Install the chimneys

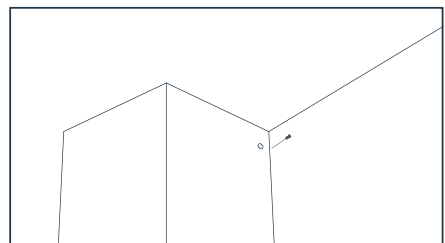
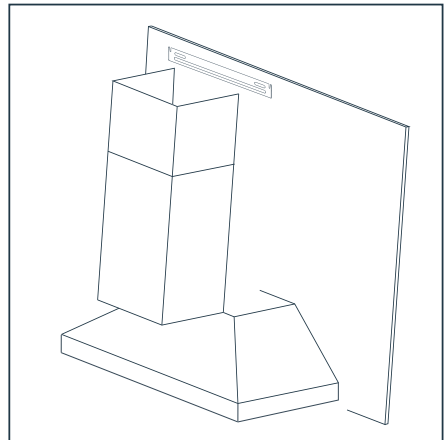
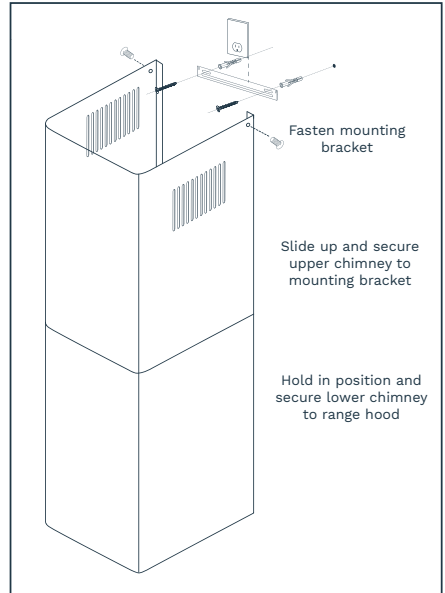
Fasten the upper chimney onto the upper chimney mounting bracket using the supplied hardware. Then hang the lower chimney onto the lower chimney mounting bracket. Install the lower chimney by flexing the chimney apart, wrapping it over the upper chimney, and then align the edges so that it hooks onto the lower chimney mounting bracket.

10. Install the filters

To install the filters, position the filters in the correct direction with the latch facing down and angle the rear section (end without the latch) into position, hooking the hanging tabs of the filter into the correct spaces of the range hood. Continue to push and pivot the filter upward and press the latch until it fits into place. Release the latch again and push the latch end of the filter upward. Test that the filters are in place by slowly moving your hands away, if it does not move, the filter is installed correctly.

11. Clean the range hood

After installing there will be fingerprints on your range hood. Use a soft cloth and warm water to clean the range hood. For tougher spots, use warm water and a mild soap. Lightly wipe away any left over water or moisture.



CONTROL PANEL



OFF button

Press to turn off the fan.



Low Speed button

Start the fan in low speed mode.
This mode is suitable for simmering and cooking.



Medium Speed button

Start the fan at medium speed.
This mode is suitable for standard cooking operation.



High Speed button

Start the fan in high speed. This mode is suitable for suctioning high density of smoke or steam.



Light button

Press to turn on or turn off the light.

Cleaning and Maintenance

WARNING: Never put your hand into housing area while the fan is operating!

For optimal operation, clean the range hood body and the spacers, filters, grease tunnel and oil container regularly. This will help preserve the appearance of the range hood.

- For safety, always leave safety grills and filters in place, otherwise may suction hair, fingers and loose clothing during operation.
- Do not dispose cigarette ashes, ignitable substances or any foreign objects into the range hood.
- Do not leave cooking unattended. When frying, oil in the pan can easily overheat and catch fire.
- Do not cook with “open” flames under the range hood. Check deep-fryers during use since the superheated oil may be flammable.
- The saturation of greasy residue in the range hood and filters may cause increased inflammability. Keep unit clean and free of grease and residue at all times to prevent possible fires.
- Filters must be cleaned periodically and free from accumulation of cooking residue. Old and worn filters must be replaced immediately.
- Do not operate range hood when filters are removed. Disassembly is recommended to be performed by qualified personnel only. Read and understand all instructions and warnings in this manual before proceeding.

CLEAN THE EXTERIOR SURFACES

- Clean the exterior surfaces of the range hood periodically with hot soapy water and clean cloth. Do not use corrosive or abrasive detergent or steel wool/scoring pads. These will scratch and damage the appliance surface.
- If the finish looks splotchy (stainless steel hood), use a stainless steel cleaner. Use a dry soft towel to dry the hood.

CAUTION:

- Do not leave the cleaning solution on the surface of the range hood too long as this may damage the finish.
- Always wipe/clean/polish in the same direction as may damage the brushed stainless steel finish. Never wipe against the grain.
- Do not allow deposits to accumulate or remain on the hood, as they will become harder to clean, and may cause scratching of the finish.
- Do not use ordinary steel wool or steel brushes. Small bits of steel may adhere to the range hood surface and cause rusting.
- Do not allow salt solutions, disinfectants, bleaches, or cleaning compounds to remain in contact with stainless steel for extended periods. Many compounds contain chemicals, which may be damaging.
- Rinse with water after exposure and wipe dry with a clean cloth.

Cleaning and Maintenance

CLEAN THE FILTER

IMPORTANT:

Before starting, drain the oil containers to avoid potential residue overflows!

- The metal filters are used for filtering grease, residue and moisture from cooking. Keep them clean for performance and safety concerns.
- Filters should be cleaned after every 30 hours of use or sooner depending on usage conditions.
- Remove the filter and then wash it by hand or in dishwasher.
- Some new dish detergents may cause marking or blackening of aluminum metals, such as the mesh aluminum filters. Spray detergent to the filter. Allow the filter to soak in the detergent if it is heavily soiled.
- Rinse the filter with warm water, allow it to dry and then assemble it to the range hood.

REPLACE THE FILTERS

- If the filters wear out due to age and prolonged use, contact your local dealer for replacement filters. Consider preemptively purchasing an extra set of filters to store on hand, or upgrading to stainless steel filters.

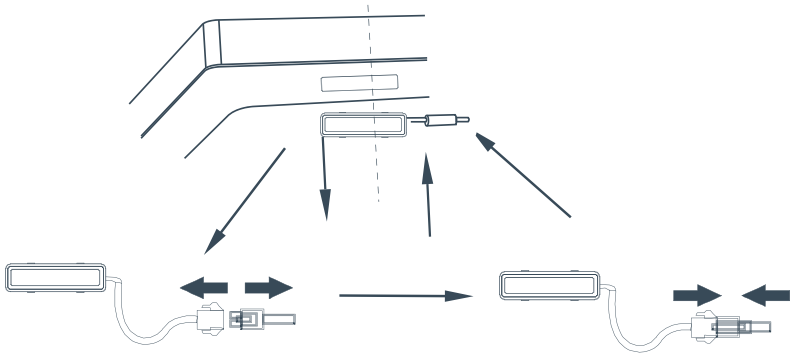
Note:

Replace the damaged filter that has punctured / broken mesh or bent / broken frame.

Cleaning and Maintenance

REPLACE THE LED LIGHT FIXTURE:

- This range hood uses LED light fixture (MAX 2W, 12V).
- Place a flat-head screwdriver between the light housing and the range hood.
- Gently pry up the light housing and search for the metal clip. (Recommend to use multiple layers of tape over the screwdriver head to prevent any scratching of the finish.)
- Apply force to the metal clip and pull out the light fixture. Disconnect the power cable and discard the old light fixture.
- Reverse the steps to install a new LED light fixture. Turn on the breaker and the range hood to test for operation.



CAUTION:

Do not touch the lights until the appliance is switched off and cooled.

NOTE:

- Light settings are independent from other settings (including power-off delay).
- Lights have to be manually turned on or off.

Troubleshooting

PROBLEMS	SOLUTIONS
The range hood or light does not operate.	<ul style="list-style-type: none">• Check if the range hood has been plugged in, make sure that all power has been turned on, and all electrical wiring are properly connected.• Check if the light bulb is defective, replace with a new one.
The range hood vibrates during the suction.	<ul style="list-style-type: none">• The range hood might not have been secured properly on to the ceiling or wall. Check with your installer.
The suction or fan seems weak.	<ul style="list-style-type: none">• Check that the duct size is at least 6 inches. Range hood will not function efficiently with insufficient duct size.• Check if the duct is clogged or the damper (half-circular flapper) is installed incorrectly or not opening properly. A tight mesh on a side wall cap may also cause restriction to the air flow.
The lights work but the suction is not spinning, or is stuck or rattling.	<ul style="list-style-type: none">• The range hood might be jammed during the shipping. Contact the dealer immediately.
The range hood does not vent out smoke properly.	<ul style="list-style-type: none">• Make sure the distance between the stove top and the bottom of the range hood is within 26 and 30 inches in distance. Due to different ceiling height, recommended height may not be applicable.• Reduce the number of elbows and length of duct. Check if all joints are properly connected, sealed and taped.• Make sure the power is on high speed for heavy cooking.
Purpose of the slots/holes/openings near the top of the upper chimney.	<ul style="list-style-type: none">• These slots/holes/openings are used to exhaust filtered air.



Warranty

hOme™ offers a limited two-year warranty (“warranty period”) on all of our products purchased new and unused from hOme Technologies, LLC or an authorized reseller, with an original proof of purchase and where a defect has arisen, wholly or substantially, as a result of faulty manufacture, parts or workmanship during the warranty period. The warranty does not apply where damage is caused by other factors, including without limitation: (a) normal wear and tear; (b) abuse, mishandling, accident, or failure to follow operating instructions; (c) exposure to liquid or infiltration of foreign particles; (d) servicing or modifications of the product other than by hOme™; (e) commercial or non-household use.

The hOme™ warranty covers all costs related to restoring the proven defective product through repair or replacement of any defective part and necessary labor so that it conforms to its original specifications. A replacement product may be provided instead of repairing a defective product. hOme™’s exclusive obligation under this warranty is limited to such repair or replacement.

A receipt indicating the purchase date is required for any claim, so please keep all receipts in a safe place. We recommend that you register your product on our website, homelabs.com/reg. Although greatly appreciated, the product registration is not required to activate any warranty and product registration does not eliminate the need for the original proof of purchase. The warranty becomes void if attempts at repair are made by non-authorized third parties and/or if spare parts, other than those provided by hOme™, are used. You may also arrange for service after the warranty expires at an additional cost.

These are our general terms for warranty service, but we always urge our customers to reach out to us with any issue, regardless of warranty terms. If you have an issue with a hOme™ product, please contact us at 1-800-898-3002, and we will do our best to resolve it for you.

This warranty gives you specific legal rights, and you may have other legal rights which vary from state to state, country to country or province to province. The customer may assert any such rights at their sole discretion.

Manufacturing Info

This manual is to be used with all items with the model number

HME030417N

SKU#: HME030417N

Voltage: AC 120V ~ 60Hz, 89W

Warning

Keep all plastic bags away from children.

Contact Us

 CHAT WITH US

homelabs.com/chat
Mon–Fri 10AM–5PM EST

 CALL US

1-(800)-898-3002
Mon–Fri 10AM–5PM EST

 EMAIL US

help@homelabs.com
Respond within twelve hours



For household
Use Only

1-800-898-3002
help@homelabs.com
homelabs.com/help

© 2019 hOmeLabs LLC
37 East 18 Street, 7th Floor
New York, NY 10003

All rights reserved. hOme®. Printed in China.

