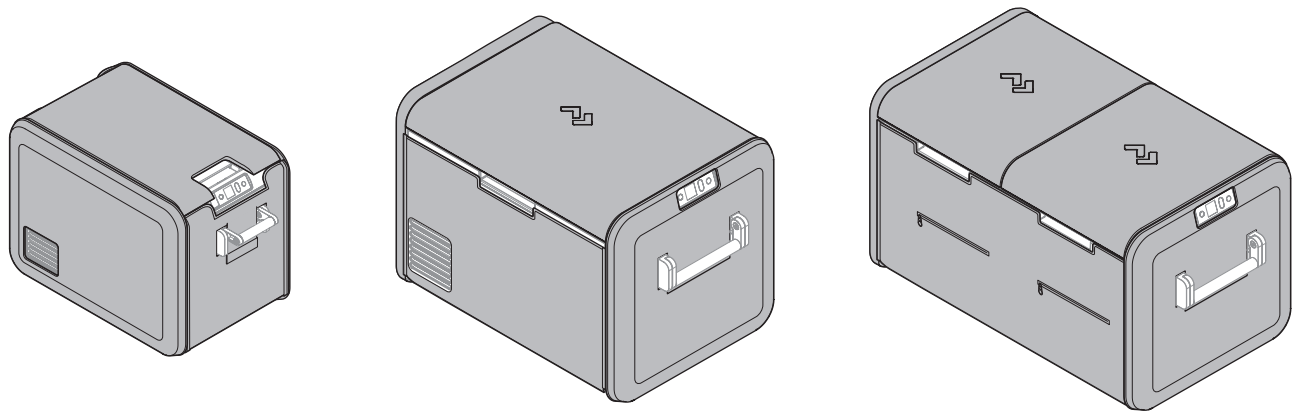




MOBILE COOLING CFX3 PROTECTIVE COVERS



CFX3-PC35, CFX3-PC45, CFX3-PC55, CFX3-PC75, CFX3-PC95, CFX3-PC100

EN

CFX3 Protective Covers

Installation Manual.2

⚠ WARNING

Cancer and Reproductive Harm
www.P65Warnings.ca.gov



Service Center & Dealer Locations

Visit: www.dometic.com

Read these instructions carefully. These instructions **MUST** stay with this product.

Contents

1 Explanation of Symbols and Safety Instructions 2

1.1 Recognize Safety Information 2

1.2 Understand Signal Words 2

1.3 Supplemental Directives 2

1.4 General Safety Messages 2

2 Intended Use 2

3 Installation 3

3.1 Preparing the Protective Cover 3

3.2 Attaching the Protective Cover 3

3.3 Placing the Lid Cover 5

4 Maintenance 6

5 Disposal 6

6 Warranty Information 7

6.1 United States and Canada 7

6.2 Asia-Pacific (APAC) Countries 7

6.3 All Other Regions 7

1 Explanation of Symbols and Safety Instructions

This manual has safety information and instructions to help you eliminate or reduce the risk of accidents and injuries.

1.1 Recognize Safety Information

⚠ This is the safety alert symbol. It is used to alert you to potential physical injury hazards. Obey all safety messages that follow this symbol to avoid possible injury or death.

1.2 Understand Signal Words

A signal word will identify safety messages and property damage messages, and also will indicate the degree or level of hazard seriousness.



DANGER!

Indicates a hazardous situation that, if **not** avoided, will result in death or serious injury.



WARNING

Indicates a hazardous situation that, if **not** avoided, could result in death or serious injury.



CAUTION

Indicates a hazardous situation that, if **not** avoided, could result in minor or moderate injury.

NOTICE: Used to address practices **not** related to physical injury.



Indicates additional information that is **not** related to physical injury.

1.3 Supplemental Directives

To reduce the risk of accidents and injuries, please observe the following directives before proceeding to install this appliance:

- Read and follow all safety information and instructions.
- Read and understand these instructions before installing this product.
- The installation must comply with all applicable local or national codes.

1.4 General Safety Messages

NOTICE: Failure to obey the following notices could result in product failure:

- Avoid improper installation, adjustment, alterations, or maintenance of this product.
- Do **not** modify this product in any way.

2 Intended Use

The CFX3 Protective Cover (also referred to as “protective cover”) is designed and intended for use as a protective cover for Dometic CFX3 coolers. Use these instructions to ensure correct installation.

The manufacturer accepts no liability for damage in the following cases:

- Faulty assembly or connection



- Damage to the product resulting from mechanical influences and excess voltage
- Alterations to the product without express permission from the manufacturer
- Use for purposes other than those described in the operating manual

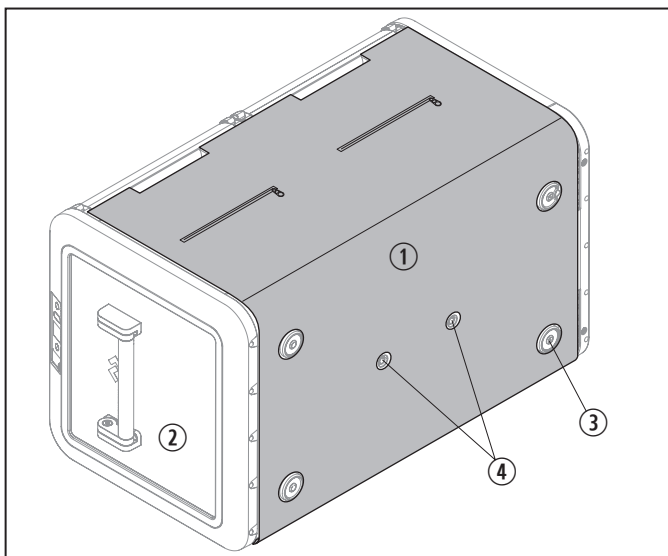
Dometic Corporation reserves the right to modify appearances and specifications without notice.

3 Installation

This section describes how to attach a protective cover to a CFX3 cooler.

i The images used in this document are for reference purposes only. Measurements may vary ± 0.38 in. (10 mm).

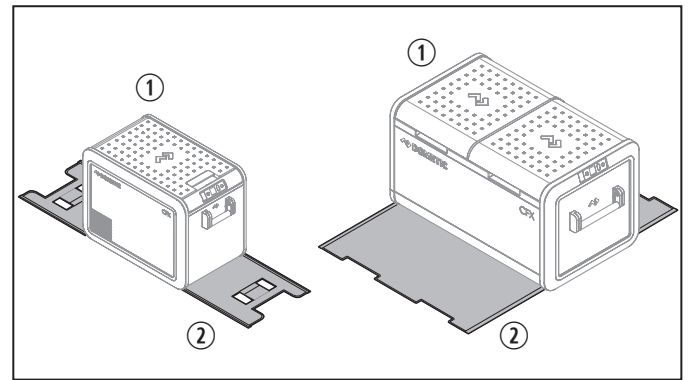
3.1 Preparing the Protective Cover



1 Aligning the Cover and Feet (CFX3 75 shown)

- | | |
|--------------------|---------------|
| ① Protective Cover | ③ Feet |
| ② Cooler | ④ Drain Holes |

1. Find a clean, flat place to prepare the protective cover.
2. Making sure the lid of the cooler is secure, place the cooler on its side.
3. Align the foot holes and drain holes on the protective cover with the feet and drains on the bottom of the cooler.



2 Standing the Cooler Up (CFX3 45 and 75 shown)

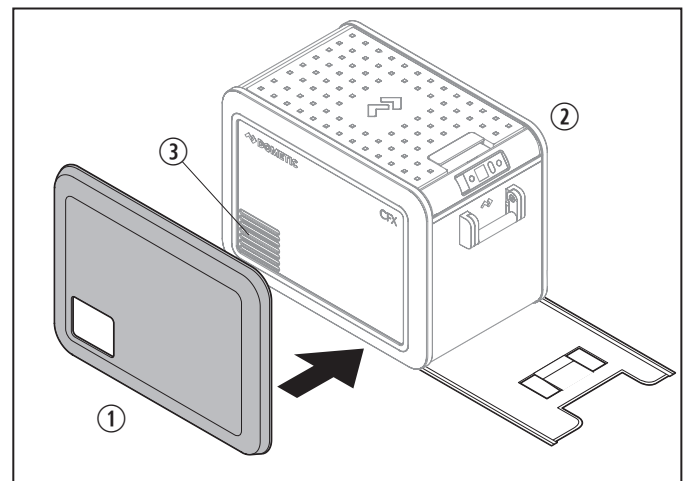
- | | |
|----------|--------------------|
| ① Cooler | ② Protective Cover |
|----------|--------------------|

4. Stand the cooler up, keeping the protective cover in alignment with the holes underneath.

3.2 Attaching the Protective Cover

Use this section to find instructions for attaching the protective cover to a specific CFX3 cooler model.

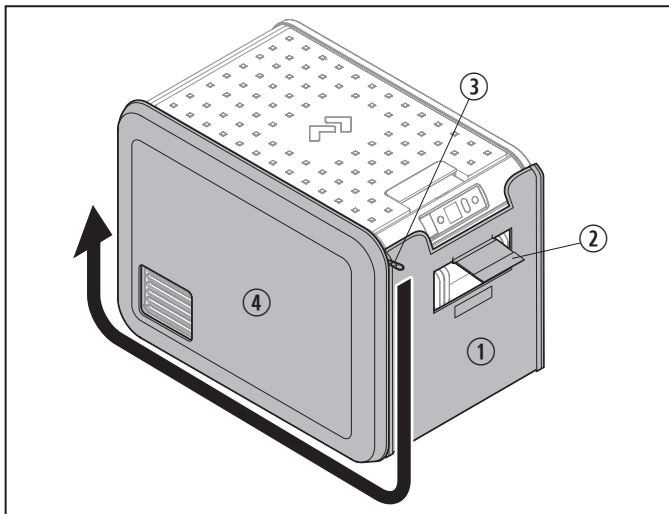
3.2.1 For CFX3 35 and CFX3 45 Coolers



3 Aligning the Molded Panel with the Cooler (CFX3 45 shown)

- | | |
|----------------|---------------------|
| ① Molded Panel | ③ Ventilation Holes |
| ② Cooler | |

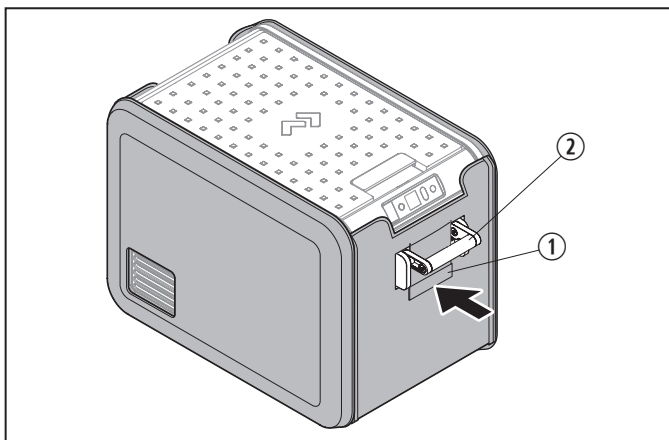
1. Align the molded panel with the ventilation holes on one side of the cooler.
2. Keeping the zipper clear, fit the molded panel to the side of the cooler, starting at the bottom and working up toward the top.
3. Repeat steps 1 and 2 for the other side.



4 Attaching the Soft Cover to the Molded Panel

- ① Soft Cover
- ② Handle Tab
- ③ Zipper
- ④ Molded Panel

4. Position one end of the soft cover.
5. Release the handle tab.
6. Attach the zipper between the soft cover and the molded panel on one side.
7. Pull the zipper down, across the bottom of the cooler, and halfway up the opposite end.
8. Repeat steps 4–7 on the other side of the cooler.
9. Fully close both zippers.

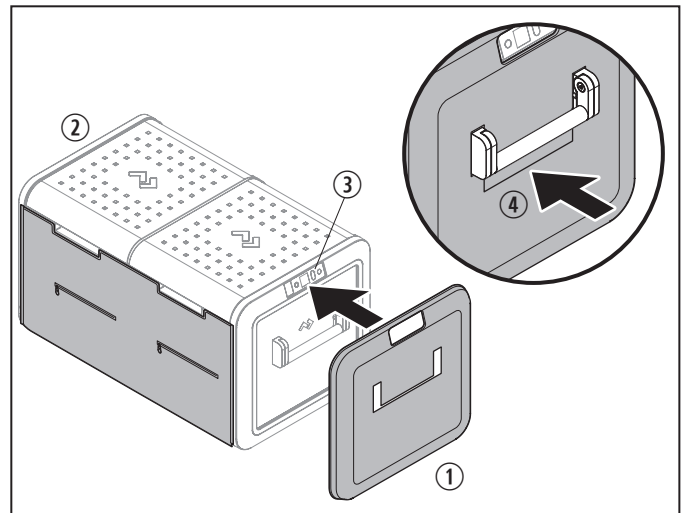


5 Securing the Handle Tab

- ① Handle Tab
- ② Cooler Handle

10. Secure the handle tabs under the cooler handles.

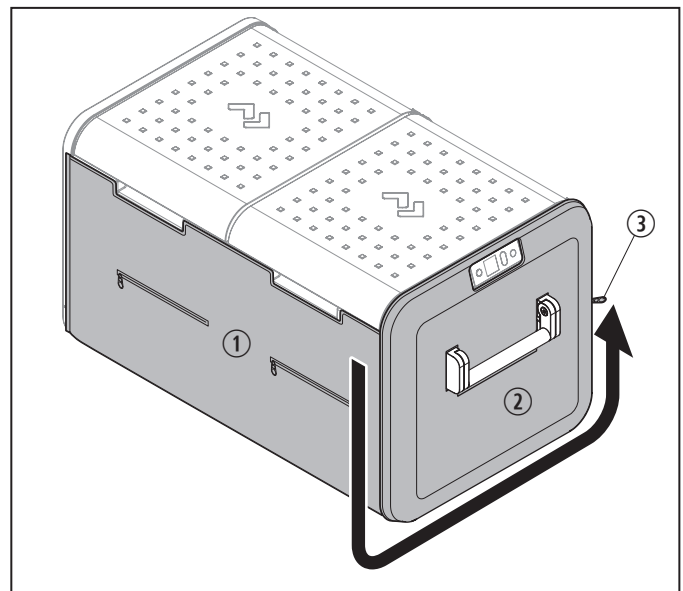
3.2.2 For CFX3 55, CFX3 75, CFX3 95, and CFX3 100 Coolers



6 Aligning the Molded Panel (CFX3 75 shown)

- ① Molded Panel
- ② Cooler
- ③ Display
- ④ Handle Tab

1. Align the molded panel with the display clearance hole to the display on the cooler display end.
2. Keeping the zipper clear, fit the display end molded panel to the cooler, starting at the bottom and working up toward the top.
3. Secure the handle tab under the handle.



7 Attaching the Soft Cover to the Molded Panel

- ① Soft Cover
- ② Molded Panel
- ③ Zipper

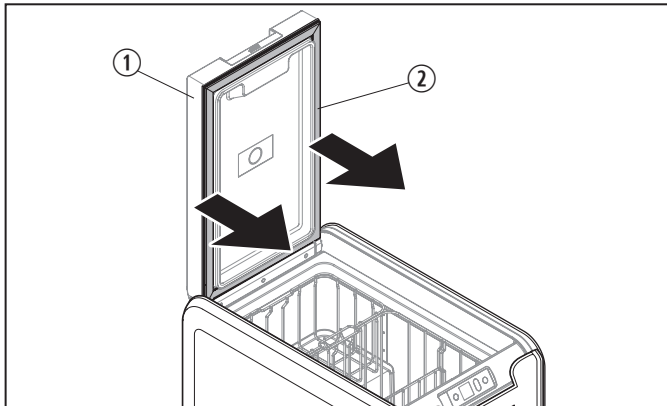


- Begin fitting the next molded panel onto the opposite end of the cooler by starting the zipper: attach the zipper between the soft cover and the molded panel, then pull the zipper down a short distance.
- Finish fitting the molded panel to the cooler.
- Fully close the zipper.
- Fully close the zipper on the display end.

3.3 Placing the Lid Cover

Use this section to find instructions for placing the lid cover on a specific CRX3 cooler model.

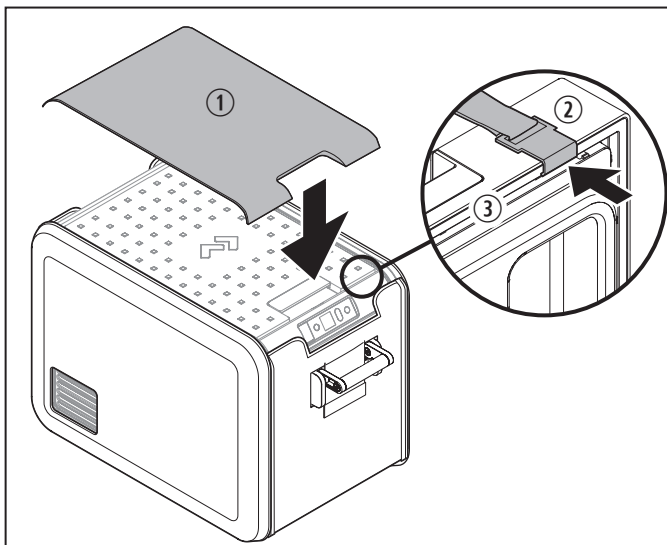
3.3.1 For CFX3 35 and CFX3 45 Coolers



8 Removing the Lid Gasket (CFX3 45 shown)

- ① Cooler Lid ② Lid Gasket

- Gently pull out the lid gasket on the two long sides of the lid.

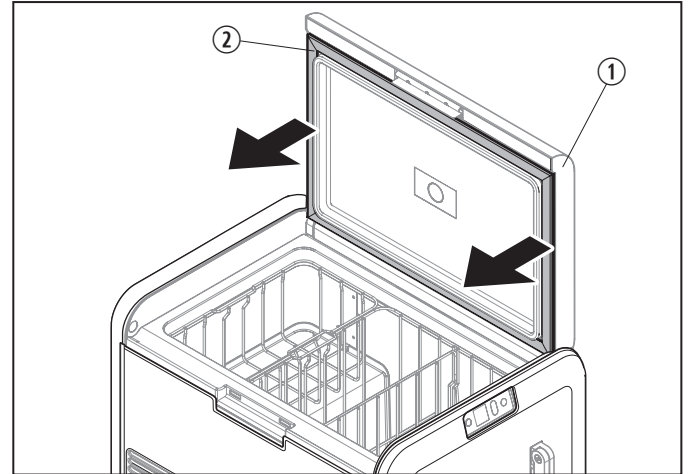


9 Attaching the Lid Cover

- ① Lid Cover ③ Gasket Groove
② Lid Cover Hook

- Position the lid cover in alignment with the latch clearance slot.
- Insert the lid cover hooks into the gasket groove.
- Refit the lid gasket, pushing it fully into the groove.

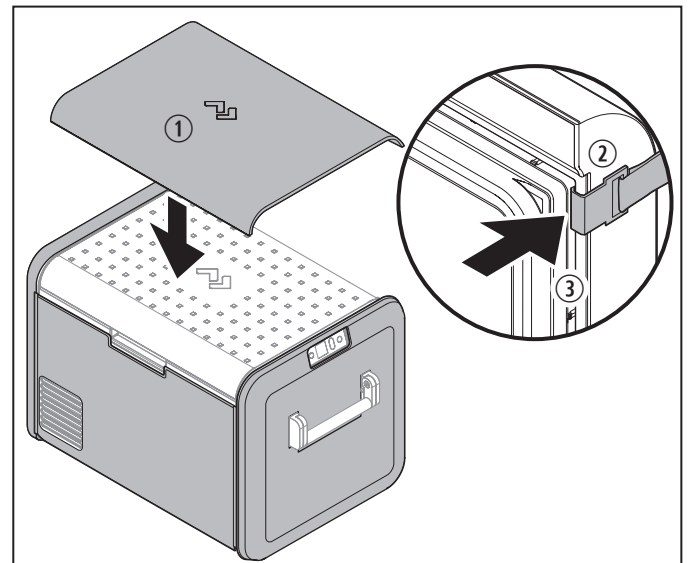
3.3.2 For CFX3 55 and CFX3 100 Coolers



10 Removing the Lid Gasket (CFX3 55 shown)

- ① Cooler Lid ② Lid Gasket

- Gently pull out the lid gasket on the two short sides of the lid.



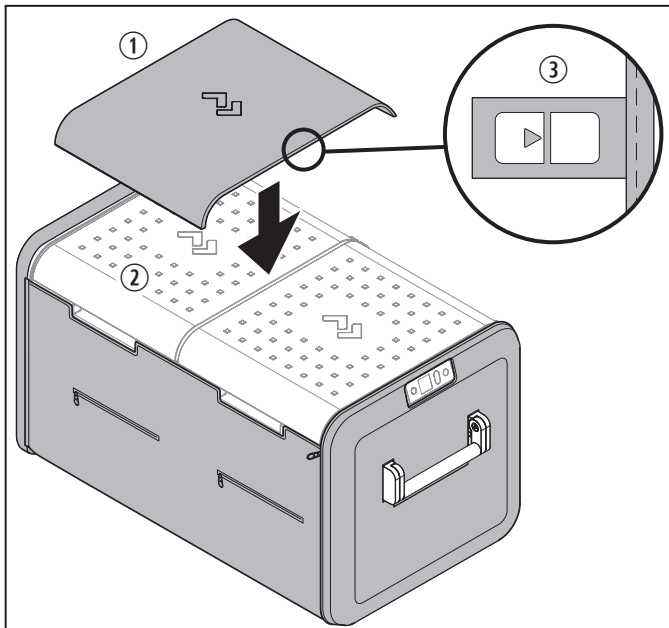
11 Attaching the Lid Cover

- ① Lid Cover ③ Gasket Groove
② Lid Cover Hook

- Position the lid cover so that the Dometic logo direction matches the cooler Dometic logo direction.

3. Insert the lid cover hooks into the gasket groove.
4. Refit the lid gasket, pushing it fully into the groove.

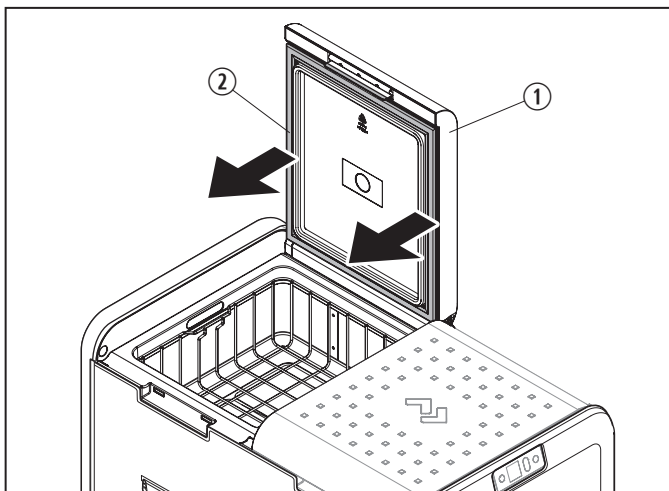
3.3.3 For CFX3 75 and CFX3 95 Coolers



12 Aligning the Lid Covers (CFX3 75 shown)

- ① Lid Cover
- ② Cooler Lid
- ③ Location Tab

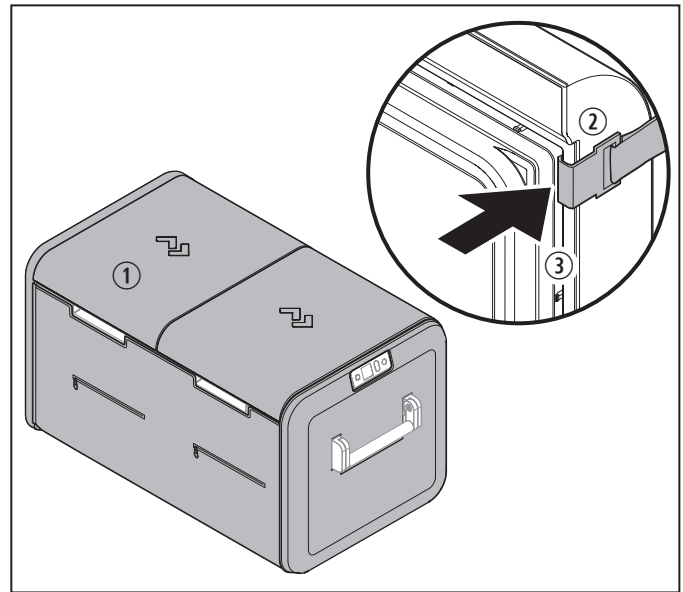
1. Match the Dometic logo direction on one lid cover to the Dometic logo direction on the cooler lid. The location tab underneath the lid cover should face the center of the cooler lids.
2. Open one cooler lid.



13 Removing the Lid Gasket

- ① Cooler Lid
- ② Lid Gasket

3. Gently pull out the lid gasket on the two long sides of the lid.



14 Attaching the Lid Cover

- ① Lid Cover
- ② Lid Cover Hook
- ③ Gasket Groove

4. Insert the lid cover hooks into the gasket groove.
5. Refit the lid gasket, pushing it fully into the groove.
6. Repeat steps 1–5 for the other cooler lid and lid cover.

4 Maintenance

Clean the protective cover regularly using a sponge or clean towel with clean water. Do not use chemical solvents or abrasive cleaners.

5 Disposal



Place the packaging material in the appropriate recycling waste bins, whenever possible. Consult a local recycling center or specialist dealer for details about how to dispose of the product in accordance with all applicable national and local regulations.

6 Warranty Information

Refer to the sections below for information about warranty and warranty support in the US, Canada, Australia, New Zealand, and all other regions.

6.1 United States and Canada

LIMITED WARRANTY AVAILABLE AT WWW.DOMETIC.COM/WARRANTY.

IF YOU HAVE QUESTIONS, OR TO OBTAIN A COPY OF THE LIMITED WARRANTY FREE OF CHARGE, CONTACT:

DOMETIC CORPORATION
CUSTOMER SUPPORT CENTER
1120 NORTH MAIN STREET
ELKHART, INDIANA, USA 46514
1-800-544-4881 OPT 1

6.2 Asia-Pacific (APAC) Countries

If the product does not work as it should, please contact your retailer or the manufacturer's branch in your country (see the back of this instruction manual for the web addresses to locate your region or retailer). The warranty applicable to your product is one year.

For repair and warranty processing, please include the following documents when you send in the device:

- A copy of the receipt with purchasing date
- A reason for the claim or description of the fault

6.2.1 Australia Only

Our goods come with guarantees that cannot be excluded under the Australian Consumer Law. You are entitled to a replacement or refund for a major failure and for compensation for any other reasonably foreseeable loss or damage. You are also entitled to have the goods repaired or replaced if the goods fail to be of acceptable quality and the failure does not amount to a major failure.

6.2.2 New Zealand Only

This warranty policy is subject to the conditions and guarantees which are mandatory as implied by the Consumer Guarantees Act 1993(NZ).

6.3 All Other Regions

The statutory warranty period applies. If the product is defective, please contact the manufacturer's branch in your region or your retailer (see the back of this instruction manual for the web addresses to locate your region or retailer).

For repair and guarantee processing, please include the following documents when you send in the device:

- A copy of the receipt with purchasing date
- A reason for the claim or description of the fault

Mobile living made easy.



dometic.com

**YOUR LOCAL
DEALER**

dometic.com/dealer

**YOUR LOCAL
SUPPORT**

dometic.com/contact

**YOUR LOCAL
SALES OFFICE**

dometic.com/sales-offices

A complete list of Dometic companies, which comprise the Dometic Group, can be found in the public filings of:
DOMETIC GROUP AB Hemvärnsgatan 15 SE-17154 Solna Sweden