



Upright Freezer
USER MANUAL

MF411W



CONTENTS

Safety information	2-3
Identifying parts of the freezer	4
Transporting	5
Installation	5-6
Control features and functions	7-9
Cleaning & Maintenance	9-10
Energy saving tips	11
Disconnection of the appliance	11
Troubleshooting Guide	12
Repairs, Service & Warranty	13
Specifications	14



SAFETY INFORMATION

Congratulations on your new Midea freezer. This manual contains important information on the installation, use and care of your appliance. Please read this manual carefully before use. Follow instructions and keep the manual for future reference.

The appliance is specifically constructed for domestic use and is therefore suitable for the storage of frozen food and the production of ice-cubes. The appliance has not been designed or manufactured for professional use. Midea declines all responsibility for damage deriving from improper use of the appliance. The freezer has undergone the necessary tests on the tightness of the refrigeration circuit and complies with the safety regulations.



WARNING

The WARNING symbol indicates information that concerns your personal safety



CAUTION

The CAUTION symbol indicates information on avoiding damage to the appliance

Safety of children



- Young children should be supervised to ensure that they do not play with the appliance.
- Packing (e.g. plastic wraps, polystyrene etc.) can be dangerous for children. There is a risk of suffocation. Keep packaging materials away from children.

Information on disposal

Most of the packing material used is recyclable. Please separate the plastic and cardboard and dispose through your local recycling depot or place in appropriate recycling collection bins.

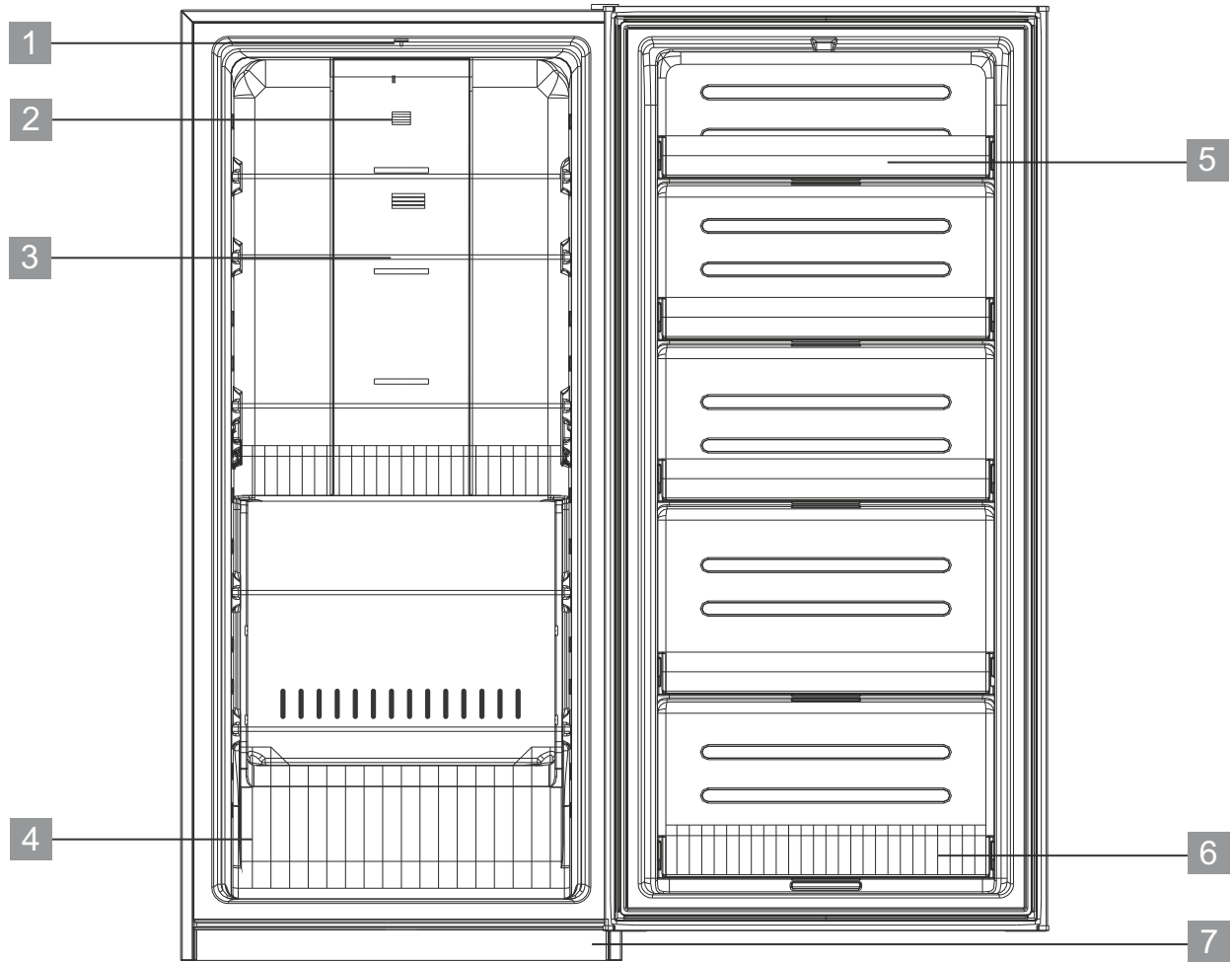
If disposing of this appliance, please contact your local authority for safe disposal. Incorrect disposal may cause injury to the user or flammable gases may cause environmental damage. Remove the door, cut off the main cable, break or remove spring or bolt catches to prevent children from getting trapped or harming themselves.

SAFETY INFORMATION

Safety Precautions

- The freezer is designed to operate on a single phase power supply within a voltage range of 220-240V/50Hz.
- Do not allow any sharp objects to come in contact with the refrigerant system to avoid damage to the refrigerant circuit.
- Keep ventilation openings, in the appliance enclosure or in the built in structure, clear of obstruction.
- Do not use mechanical devices or other means to accelerate the defrosting process, other than those recommended by the manufacturer.
- This product is for indoor use only.
- Do not place electrical items or cooking equipment nearby. Keep away from substances which could cause ignition and ensure good ventilation is always available.
- Do not place or operate any electrical appliances inside the freezer.
- Do not place objects on top of the appliance which are magnetic, heavy or filled with water.
- If the supply cord is damaged, it must be replaced by authorised Midea service personal, service agent or similarly qualified persons in order to avoid a hazard.
- Do not store flammable, explosive, volatile and highly corrosive materials in the freezer. Containers with flammable gases or liquids can leak at low temperature. There is a risk of explosion or fire.
- Do not splash water on the appliance. It may cause malfunction or electric shock.
- Always switch off and unplug the appliance before cleaning.
- This appliance is not intended for use by persons (including children) with reduced physical, sensory or mental capabilities, or lack of experience and knowledge, unless they have been given supervision or instruction concerning use of the appliance by a person responsible for their safety.

IDENTIFYING PARTS OF THE FREEZER



1 Light switch

2 Temperature sensor

3 Wire shelf

4 Wire drawer

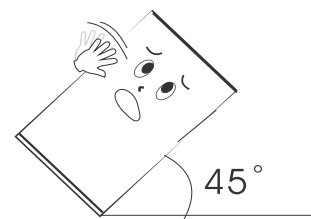
5 Door bin

6 Wire door bin

7 Kick panel

TRANSPORTING

Keep the freezer upright and avoid squeezing or vibration during transport. Avoid a slanting angle over 45 degrees during handling. Avoid the door or top cap from being under excessive stress when moving, otherwise it may become deformed.



Do not connect your freezer to the power supply immediately after it is placed vertically. You should keep it standing for at least 3 hours before connection to let it settle.

INSTALLATION

Remove all packaging material and adhesive tape before using your new freezer. This includes the foam base and all adhesive tape holding the freezer accessories inside and outside.

Clean both the inside and outside of the freezer with a soft cloth and lukewarm soapy water.

Positioning your freezer

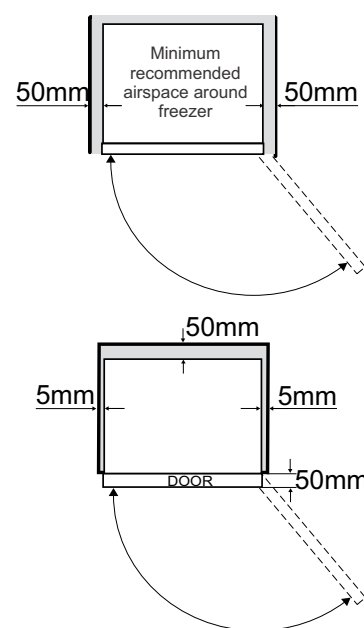
Place your freezer in a well ventilated area away from a heat source and direct sunlight. Do not install the freezer in a damp or wet location as this may cause damage to the insulation and result in leakage. Condensation may also build up on the outer cabinet causing rust.

Use the front two adjustable feet to level the freezer. Rotate the feet in a clockwise direction to raise the freezer and anti-clockwise to lower. Ensure the freezer slightly tilts backwards so that the door self-close to provide a consistent closed seal.

Allow for adequate ventilation around your freezer

There should be a clearance of at least 200mm from the top of your freezer, and 50mm from either the sides of the freezer (or) the back of the unit. If the freezer is to sit flush with the cabinetry, then a 50mm clearance must be available to allow the door to open freely and enable the removal of baskets.

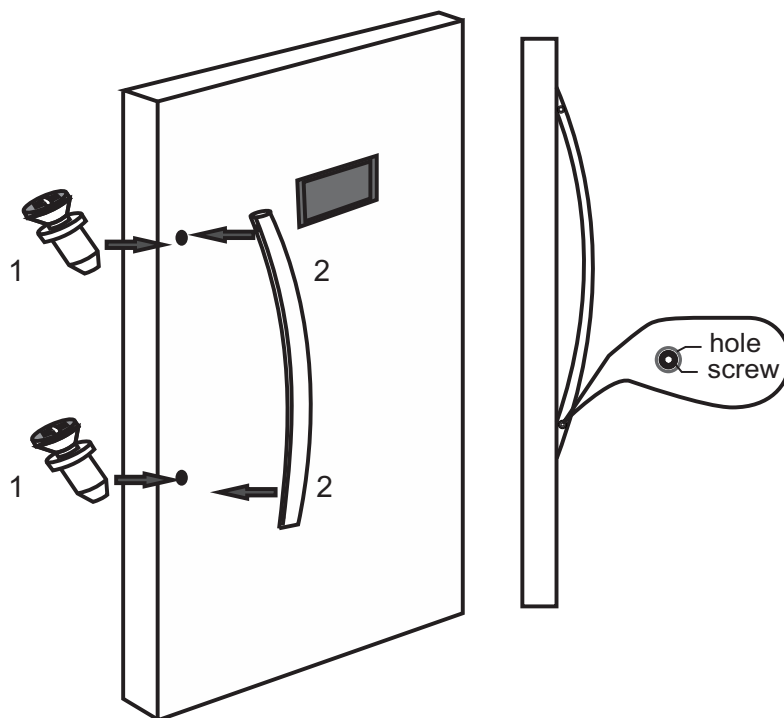
The minimum clearance recommended at each side is 5mm, if this is the case the door must sit proud of the cabinetry by 50mm (not flush). A 5mm side clearance will require 50mm of airspace at the back of the unit to allow for adequate ventilation.



INSTALLATION

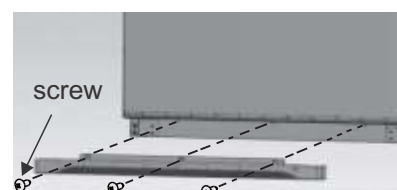
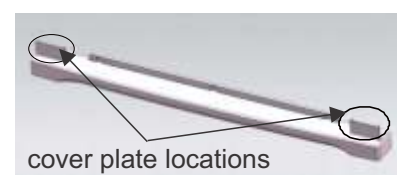
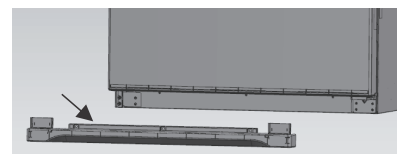
Door Handle assembly

1. Remove the hexagonal key and the two screws from the plastic bag supplied inside the freezer and set the screws into the door holes.
2. Position the door handle over the screws.
3. Tighten the head cap screws in the side of the handle until secured in place on the door.

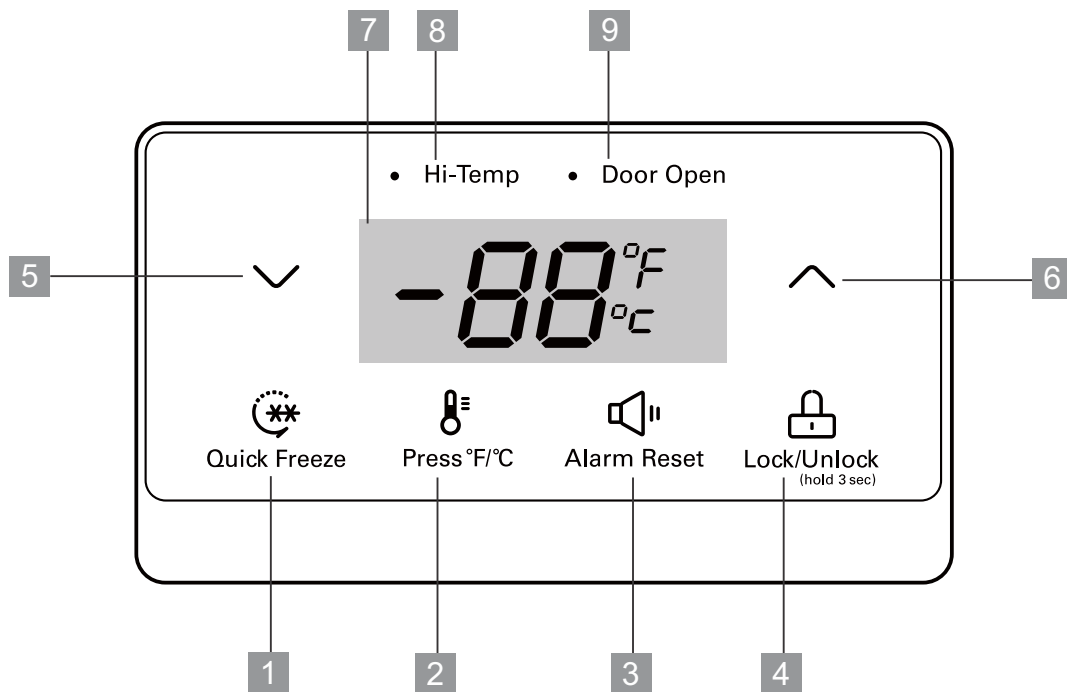


Kick Panel assembly

1. Remove the kick panel and screws from inside the freezer.
2. Position the kick panel to the bottom of the freezer and remove the cover plate on the hinge side of the freezer.
3. Fit the kick panel in place and screw into holes.



CONTROL FEATURES AND FUNCTIONS



Buttons

- 1 Quick freeze
- 2 Temperature display format (°C or °F)
- 3 Alarm Reset
- 4 Lock / Unlock
- 5 Temperature setting / Quick Freeze time setting down (decrease)
- 6 Temperature setting / Quick Freeze time setting up (increase)

Display

- 7 Numeric display panel

Alarm

- 8 High temperature alarm
- 9 Door open alarm

CONTROL FEATURES AND FUNCTIONS

Locking and unlocking the display panel

To lock the control panel, hold down the Lock / Unlock button (4) for 3 seconds until the Lock icon displays, this indicates the freezer control panel is locked.

To unlock the control panel, press the Lock / Unlock button (4) until the Lock icon no longer displays.

Ensure the control panel is unlocked before setting temperatures or additional features.

Controlling the temperature

Adjusting temperature of the freezer

To enter the temperature setting mode press either button (5) or (6) until the temperature flashes on the display (7). To adjust the temperature press button (5) to decrease temperature (min. -22°C / -8°F) or button (6) to increase temperature (max. -14°C / 7°F). Once the desired temperature is reached, press the Lock / Unlock button (4) to activate the selection. Note: If no button is pressed within 10 seconds, the temperature setting mode will be exited.

Quick Freeze Mode

The Quick Freeze mode quickly reduces the temperature of the freezer.

To enter this mode press the Quick Freeze button (1), the quick freeze temperature of -24°C / -11°F will display. The default Quick Freeze time is 6 hours. Press button (5) or (6) if you want to decrease or increase this time. Once the desired time is reached, press the Lock / Unlock button (4) to activate the selection. To exit press the Quick Freeze button (1).

Note: It is not advisable to use Quick Freeze for 48 hours or more.

Setting temperature $^{\circ}\text{C}$ or $^{\circ}\text{F}$ format

Press button (2) to switch between Celsius and Fahrenheit display formats.

Alarm reset

Press button (3) to cancel the alarm when triggered by high temperature or if the door is left open for 60 seconds.

CONTROL FEATURES AND FUNCTIONS

Error Codes display

The error codes listed below may appear on the display. Firstly press Alarm Reset and contact Midea Customer Care if the error code still displays after you have reset the alarm.

ERROR CODE	DESCRIPTION
E1	Freezer temperature sensor failure
E5	Freezer defrosting sensor failure
E6	Communication failure
E7	Ambient temperature sensor failure
E9	Freezer high temperature alert

CLEANING & MAINTENANCE

Cleaning the appliance



Before cleaning: Turn appliance off at the power point, then remove the power cord from the outlet. This will make sure there is no chance of electric shock.

Interior

Clean the freezer interior regularly. Turn power off. Wipe the interior with a soft cloth and lukewarm soapy water. Wipe away any food spills thoroughly. Dry all surfaces and removable parts. Avoid getting water on the freezer controls. If you have taken out any removable parts, replace them and switch on the power before re-stocking the freezer.

Exterior

Clean the freezer with only lukewarm soapy water and a soft cloth. Rinse with clean water and then wipe the surface with a soft clean cloth to remove any soap residue.

Door seal

Take care to keep the door seal clean. Sticky food and drink can cause the seal to stick to the cabinet and tear when you open the door. Wash the seal with a mild detergent and warm water. Rinse thoroughly and dry.

CLEANING & MAINTENANCE

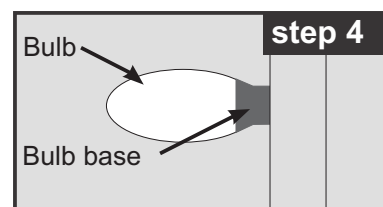
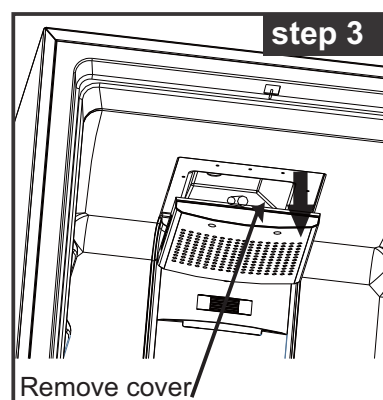
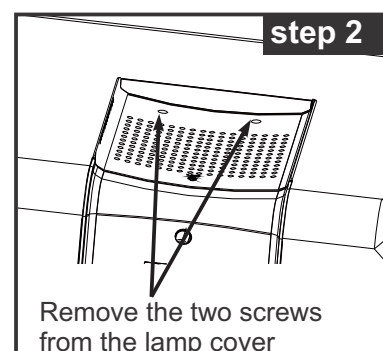
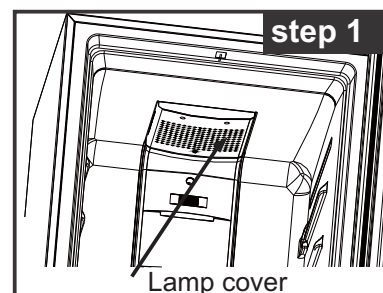
Replacing the Interior light



Before replacing the light: Turn appliance off at the power point, then remove the power cord from the outlet. This will make sure there is no chance of electric shock.

To replace the internal light, follow these steps. Note: Before replacing the bulb, disconnect the appliance from the mains power.

1. Open the freezer door and locate the lamp cover at the roof of the freezer cavity.
2. Remove the two screws holding the lamp cover. Place the screws in a safe place while replacing the bulb.
3. Carefully remove the lamp cover. Place the cover in a safe place.
4. Ensure the bulb is cool to the touch before unscrewing. Replace the old bulb with an AC115V / Max. 40W bulb.
5. Refit the cover and secure with the two screws. Replace the mains power and switch on the appliance.



Please check the points below after maintenance:

- (1) Is there any damage to the power lead?
- (2) Can the power plug be inserted into the power socket correctly?
- (3) Is the power plug and/or lead heating up?

ENERGY SAVING TIPS

1. Reduce opening the door frequently. This will increase the appliance efficiency and reduce power consumption.
2. Be sure to wrap foods properly, and wipe containers dry before placing them in the freezer. This cuts down on frost build-up inside the freezer.
3. There should always be some space between food items for proper air circulation.
4. Hot food should be cooled down before placing into the appliance, otherwise the interior temperature and power consumption will increase.
5. Adjust the temperature control to a setting that is acceptable for the storage of the food. This will reduce the power consumption.

DISCONNECTION OF THE APPLIANCE



If unplugging the appliance from the power outlet, please leave at least 5 minutes before re-connection.

During a power failure, do not put additional food in the appliance and reduce opening the door.

Leave the freezer operating during short vacations.

If the freezer will not be used for several months or it is to be placed in storage, remove all food and unplug the power cord. Clean and dry the interior thoroughly. To prevent odour and mould growth, leave the door open slightly: wedging it open if necessary or have the door removed.

Use extreme caution in the case of children. The unit should not be accessible to child's play.

TROUBLESHOOTING GUIDE

If you think something may be wrong with your freezer, you can carry out some easy checks before calling for service. You may locate the problem and spare yourself from inconvenience, saving time and money.

SYMPTOM	SUGGESTION
Freezer is not operating	<ul style="list-style-type: none">• Check that the power cord is plugged into the power outlet properly and that the outlet is switched “ON”.• Try running another appliance from the power outlet. If no power is coming from the outlet you may have blown a fuse or tripped a circuit of your household power supply.• Try adjusting the temperature control to a slightly “colder” position.
Unusual noise	<ul style="list-style-type: none">• The flow of refrigerant through the pipeline coil could cause gurgling, similar to water boiling. This is the normal function of the appliance.• Metal parts undergo expansion and contraction, as in hot water pipes. This is normal. Sound will level off or disappear as freezer continues to run.• It is quite normal for noise to seem louder just after the freezer starts operating.• Other strange sounds may mean that you need to check and take action. For example, noises may mean that:<ul style="list-style-type: none">- The cabinet is not level.- The floor is uneven or weak.There are vibrations from an object on top of or behind or beside the freezer.<ul style="list-style-type: none">- The back of the freezer cabinet is touching the wall.
Compressor seems to run more than expected	<ul style="list-style-type: none">• Is door kept open too long or too often?• Is control set too cold?• Have large amounts of warm food just recently been stored?• If the day is hot or the room is very warm, the freezer will need to run more than normal.• The freezer will run more than normal just after you install it or when it has been turned off for a long time.
Temperature in the freezer is too warm	<ul style="list-style-type: none">• Check that the appliance has enough clearance at the sides, back and top. Refer to installation instruction on page 5.• Refer to “Controlling the temperature” on page 8.• You may have kept the door open too long or too frequently.• Food containers or packaging may be holding a door open.
The door will not close	<ul style="list-style-type: none">• Check whether the front of the freezer is tilted back slightly to allow the door to self close.• Check whether something is holding the door open.

The following cases are not malfunctions:

Moisture may form as condensation on the outside of the appliance during humid conditions. To remove excess moisture, wipe clean.

It is normal that the sides of the appliance and the turnover beam will get warm as a result of the refrigeration system operation.

REPAIRS, SERVICE & WARRANTY

It is hazardous for anyone installing, removing, altering, repairing servicing, testing or certifying the gas system of a gas device (i.e. charging, discharging or breaking into the refrigeration system that uses hydrocarbon refrigerants). Only an Authorised Service Person can carry out servicing or repairs to this appliance.

If service is required

If you have a problem which persists after you have made the checks listed in the Troubleshooting Guide, please contact:

Midea Customer Care on 1300 132 371

Please refer to the enclosed warranty card or visit www.mideaappliances.com.au for warranty information. Ensure you have the appliance model number and proof of purchase handy before calling Midea Customer Care to enquire about a warranty claim.

Complete and retain the following information for your records:

Model No.	
Serial No.	
Date of purchase	
Retailer	

Please retain proof of purchase for warranty claims.

SPECIFICATIONS

Model	MF411W	
Climate class	T	
Classification of installation and use	Class 1 Indoor use only	
Rated Total Gross Volume	411L	
Voltage	220-240V / 50Hz	
Noise Level	44dB	
Refrigerant type	R134a	
Dimensions	Height	1550mm
	Width	711mm
	Depth	750mm
IP rating	IPX0	
Net Weight	69Kg	

NOTE:

- Product specifications are subject to change without prior notice.
- This product is subject to continuous improvement, which may not be completely consistent with the manual, however the functions and operating methods will not change.

