

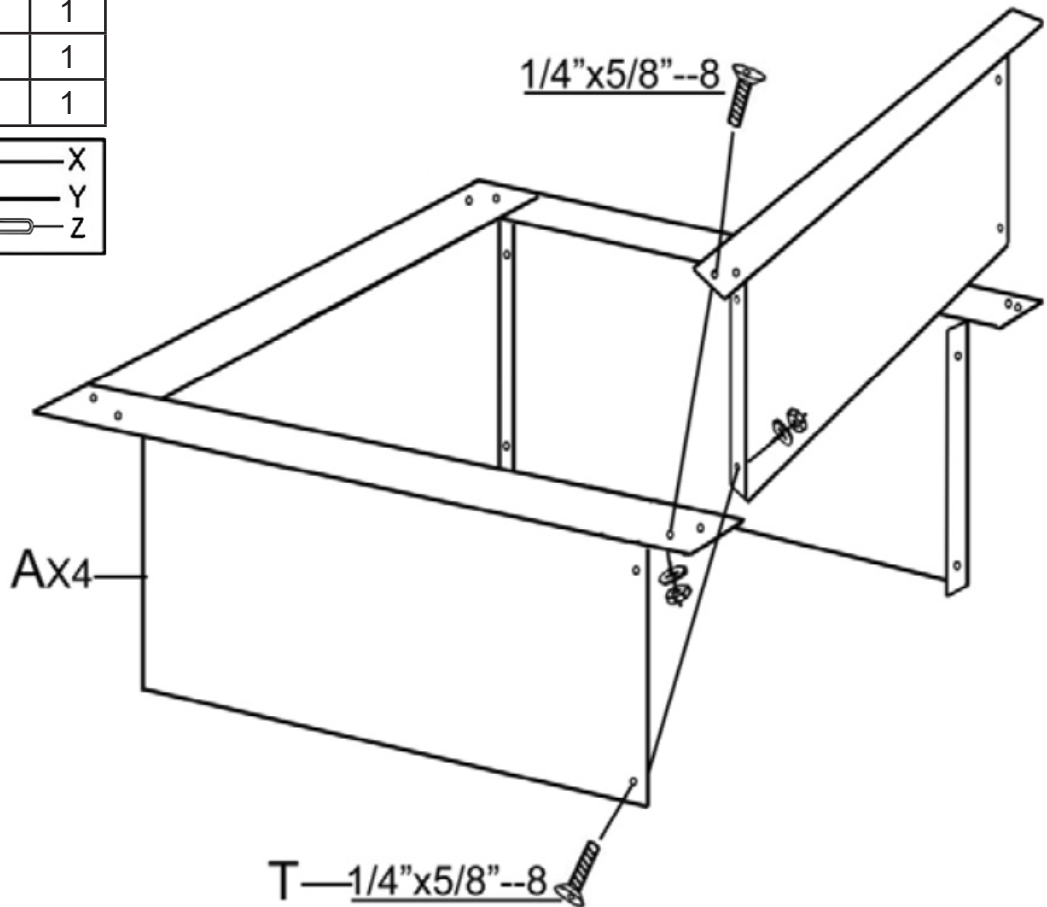
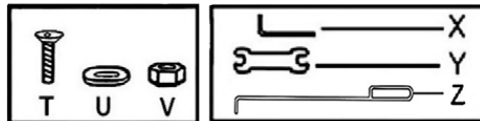
HEAVY-DUTY SQUARE FIRE RIM

KF-SHDFPR

Read this manual carefully before using this product and save it for future reference.

No.	PARTS	QTY.
A	Panel	4
T	Bolt (1/4" x 5/8")	16
U	Washer	16
V	Nut	16
X	Allen Wrench	1
Y	Wrench	1
Z	Poker	1

- Do not discard packaging until you have checked that all parts are accounted for.
- Assemble components on a soft, clean surface to avoid scratching or damaging the finish.
- Keep children away during assembly. This item contains small parts that can be swallowed by children.
- Children should always be under direct adult supervision around this product.



ASSEMBLY

Tools required for assembly included: Allen Wrench (X) and Wrench (Y)

DO NOT FULLY TIGHTEN THE NUTS & BOLTS BEFORE ASSEMBLING THE ENTIRE RIM.

1. Set Panels (A) upright and align the holes on the top and sides of the panels, making sure the lip on the side of each panel will be on the inside of fire rim.
2. Connect the first 2 panels by hand-tightening 4x Bolts (T), 4x Washers (U), and 4x Nuts (V).
3. Repeat Step 2 until all panels are connected.
4. Tighten all hardware using Allen Wrench (X) and Wrench (Y).

CARING FOR YOUR FIRE RIM:

Clean Regularly: All fire rims must be cleaned and inspected periodically. The ash produced in fire rims must be cleaned out regularly.

Clean Safely: Make sure the fire has completely died down and the metal is completely cool before you remove the ashes.

Avoid Accelerants: Never use accelerants to start a fire; this is dangerous and can be damaging the fire rim.

Avoid Plastic: Never use any plastic materials in or nearby a fire. It is very difficult to remove the residue later, and the burning of this residue can cause the emission of toxic fumes.

Use on a Safe Surface: Always use fire rims on a smooth, non-combustible surface; do not use on a wood deck or other combustible surfaces like grass, leaves, mulch, etc. Do not use fire rims near combustible structures such as vinyl or wood siding.

Installing a fire-proof border such as bricks, rocks, sand or dirt around the fire rim is recommended.

Cover and Store: If you do not plan to use your fire rim for an extended period of time, cover or store it in a dry location; this will protect it from the elements and dust buildup. If you decide only to cover the fire rim, be sure it is not exposed to water. The manufacturer is not liable for rust due to weather conditions.

Take care never to drop your fire rim, as it may cause serious damage to the unit.

Extinguish: Let fires die down gradually, do not use water to put out a fire as this may cause the metal to crack as a result of the sudden drop in temperature.

SAFETY STATEMENTS & WARNINGS

- For outdoor use only. Never use this product in an enclosed area.
- Always follow local laws and regulations when using fire rims.
- Exercise the same care and precautions as you would with an open fire.
- Keep this unit a safe distance away from houses, garages, balconies, or overhangs when in use.
- Use on a level, non-combustible surface with a fire-proof border.
- Do not use on or near combustible surfaces or structures such as wood decks, dry leaves or grass, mulch, vinyl or wood siding, etc.
- Keep away from all combustible materials including gasoline and other flammable liquids and vapors.
- Never use accelerants such as, but not limited to, gasoline, alcohol, paint thinners, kerosene, as this may cause serious injury or product damage.
- The fire rim becomes very hot when in use; let it completely cool before cleaning or moving.
- Keep out of reach of children.
- Do not overfill or use this unit to burn leaves or trash.
- Avoid using any fire pit or rim during dry or windy conditions.
- Never leave unit unattended while hot or in use.
- Supervise children and pets when the fire rim is in use.
- Do not use chemical-based cleaners as this may damage the product and/or ignite uncontrollable flames during the next use.
- Extinguish the fire properly before leaving. Use a fire extinguisher or a bucket of sand to smother the fire if necessary. Do not use water to extinguish hot fires or embers as this may cause serious injury and may damage the product.
- Ashes can remain hot for a long time after the fire is extinguished. Dispose of cold ashes properly.

Any modification or failure to follow the recommended care will void the product warranty.