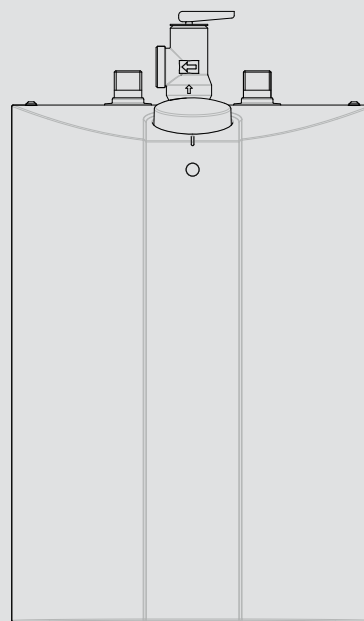


**OPERATION AND INSTALLATION INSTRUCTIONS
FOR THE LICENSED PLUMBER
INSTRUCCIONES DE FUNCIONAMIENTO E INSTALACIÓN
PARA EL PLOMERO MATRICULADO
DIRECTIVES D'INSTALLATION ET MODE D'EMPLOI À
L'INTENTION DES PLOMBIERS AGRÉÉS**

MINI-TANK ELECTRIC WATER HEATERS
CALENTADORES DE AGUA ELÉCTRICOS DE MINITANQUE
CHAUFFE-EAU ÉLECTRIQUES À MINI-RÉSERVOIR

» SHC 2.5



The SHC Mini-tank series is tested and certified by WQA against NSF/ANSI 372 for lead free compliance.

STIEBEL ELTRON

1.	General Information	2
2.	Safety Precautions	3
3.	General Description	4
4.	Technical Description	4
5.	Technical Data	4
6.	General Recommendations	5
7.	Mounting the Unit	5
8.	Plumbing Connections	5
9.	Electrical Connection	6
10.	Settings	7
11.	Maintenance instructions	7
12.	Warranty	10

IMPORTANT SAFETY INSTRUCTIONS



WARNING:

WHEN USING ELECTRICAL APPLIANCES, BASIC SAFETY PRECAUTIONS TO REDUCE THE RISK OF FIRE, ELECTRIC SHOCK, OR INJURY TO PERSONS SHOULD BE FOLLOWED, INCLUDING:

1. READ ALL INSTRUCTIONS BEFORE USING THE WATER HEATER.
2. This water heater must be grounded. Connect only to properly grounded outlet. See “GROUNDING INSTRUCTIONS” found in the chapter called “ELECTRICAL CONNECTION”.
3. Install or locate this water heater only in accordance with the PROVIDED installation instructions.
4. Use this water heater only for its intended use as described in this manual.
5. Do not use an extension cord with this water heater. If no receptacle is available adjacent to the water heater, contact a qualified electrician to have one properly installed.
6. As with any appliance, close supervision is necessary when used by children.
7. Do not operate this water heater if it has a damaged cord or plug, if it is not working properly, or if it has been damaged or dropped.
8. This water heater should be serviced only by qualified service personnel. Contact nearest authorized service facility for examination, repair, or adjustment.

SAVE THESE INSTRUCTIONS

1. General Information



CAUTION: TO REDUCE THE RISK OF EXCESSIVE PRESSURES AND TEMPERATURES IN THIS WATER HEATER, INSTALL TEMPERATURE AND PRESSURE PROTECTIVE EQUIPMENT REQUIRED BY LOCAL CODES AND NO LESS THAN A COMBINATION TEMPERATURE AND PRESSURE RELIEF VALVE CERTIFIED BY A NATIONALLY RECOGNIZED TESTING LABORATORY THAT MAINTAINS PERIODIC INSPECTION OF PRODUCTION OF LISTED EQUIPMENT OR MATERIALS, AS MEETING THE REQUIREMENTS FOR RELIEF VALVES AND AUTOMATIC GAS SHUTOFF DEVICES FOR HOT WATER SUPPLY SYSTEMS, ANSI Z21.22. THIS VALVE MUST BE MARKED WITH A MAXIMUM SET PRESSURE NOT TO EXCEED THE MARKED MAXIMUM WORKING PRESSURE OF THE WATER HEATER. INSTALL THE VALVE INTO AN OPENING PROVIDED AND MARKED FOR THIS PURPOSE IN THE WATER HEATER, AND ORIENT IT OR PROVIDE TUBING SO THAT ANY DISCHARGE FROM THE VALVE EXITS ONLY WITHIN 6 INCHES ABOVE, OR AT ANY DISTANCE BELOW, THE STRUCTURAL FLOOR, AND DOES NOT CONTACT ANY LIVE ELECTRICAL PART. THE DISCHARGE OPENING MUST NOT BE BLOCKED OR REDUCED IN SIZE UNDER ANY CIRCUMSTANCES.

Read this entire manual. Failure to follow all the guides, instructions and rules could cause personal injury or property damage. Improper installation, adjustment, alteration, service and use of this unit can result in serious injury.

This unit must be installed by a licensed electrician and plumber. The installation must comply with all national, state and local plumbing and electric codes. Proper installation is the responsibility of the installer. Failure to comply with the installation and operating instructions or improper use voids the warranty.

Save these instructions for future reference. The installer should leave these instructions with the consumer.

If you have any questions regarding the installation, use or operation of this water heater, or if you need any additional installation manuals, please call our technical service line at 800-582-8423 (USA and Canada only). If you are calling from outside the USA or Canada, please call USA 413-247-3380 and we will refer you to a qualified Stiebel Eltron service representative in your area.

1. Do not locate the water heater where water lines could be subject to freezing temperatures.
2. It is recommended to have a floor drain nearby to permit easy draining of the unit if necessary.
3. Install the water heater so that in the event of a leak, the resulting flow of water will not cause damage to the area around the water heater. Under no condition is the manufacturer liable for any water damage in connection with this water heater.
4. When installing the water heater, ensure that clearance around the unit is provided, for ease of maintenance and service.



THIS IS THE SAFETY ALERT SYMBOL. IT IS USED TO ALERT YOU TO POTENTIAL PERSONAL INJURY HAZARD. OBEY ALL SAFETY MESSAGES THAT FOLLOW THIS SYMBOL TO AVOID POSSIBLE INJURY OR DEATH.

2. Safety Precautions



PLEASE READ AND FOLLOW THESE INSTRUCTIONS. FAILURE TO FOLLOW THESE INSTRUCTIONS COULD RESULT IN SERIOUS BODILY INJURY OR DEATH.


THE UNIT MUST BE INSTALLED BY A LICENSED PLUMBER. THE INSTALLATION MUST COMPLY WITH ALL NATIONAL, STATE AND LOCAL PLUMBING AND ELECTRIC CODES.


SERVICE OF THE UNIT MUST BE PERFORMED BY A QUALIFIED SERVICE AGENCY.


BEFORE PROCEEDING WITH ANY INSTALLATION, ADJUSTMENT, ALTERATION, OR SERVICE OF THIS UNIT THE POWER CORD SHOULD BE UNPLUGGED. FAILURE TO DO SO COULD RESULT IN SERIOUS PERSONAL INJURY OR DEATH.

NEVER REMOVE THE UNIT'S COVER UNLESS THE ELECTRICITY SERVICING THE UNIT IS TURNED OFF. FAILURE TO DO SO COULD RESULT IN PERSONAL INJURY OR DEATH.

DO NOT STORE OR USE GASOLINE OR OTHER FLAMMABLE VAPORS OR LIQUIDS IN THE VICINITY OF THIS OR ANY OTHER APPLIANCE.

 **DANGER:** WATER TEMPERATURES OVER 125 °F (52 °C) CAN CAUSE SEVERE BURNS INSTANTLY OR DEATH FROM SCALDING. A HOT WATER SCALDING POTENTIAL EXISTS IF THE THERMOSTAT ON THE UNIT IS SET TOO HIGH. HOUSEHOLDS WITH SMALL CHILDREN, DISABLED OR ELDERLY PERSONS MAY REQUIRE THAT THE THERMOSTAT BE SET AT 120 °F (49 °C) OR LOWER TO PREVENT POSSIBLE INJURY FROM HOT WATER.

 **WARNING:** THIS WATER HEATER MUST BE INSTALLED STRICTLY IN ACCORDANCE WITH THE INSTRUCTIONS ENCLOSED AND LOCAL ELECTRIC AND BUILDING CODES. IT IS ALSO POSSIBLE THAT CONNECTIONS TO THE WATER HEATER ITSELF MAY DEVELOP LEAKS. IT IS THEREFORE IMPERATIVE THAT THE WATER HEATER BE INSTALLED SO THAT ANY WATER IS DIRECTED TO AN ADEQUATE DRAIN IN SUCH A WAY THAT WATER DAMAGE TO THE BUILDING, FURNITURE, CARPETING OR OTHER PROPERTY CANNOT OCCUR. NEITHER THE MANUFACTURER NOR THE DISTRIBUTOR CAN BE HELD RESPONSIBLE FOR DAMAGE CAUSED BY WATER FROM THE WATER HEATER, TEMPERATURE PRESSURE RELIEF VALVE, OR RELATED FITTINGS WHERE ADEQUATE PROVISION TO DRAIN SUCH WATER HAS NOT BEEN PROVIDED.

 **CAUTION:** A WATER HEATER EQUIPPED WITH A CATHODIC PROTECTION DEVICE OR A SACRIFICIAL ANODE SHALL BE PROVIDED WITH INSTRUCTIONS THAT INCLUDE THE WORD “CAUTION” AND THE FOLLOWING OR EQUIVALENT: “HYDROGEN GAS CAN BE PRODUCED IN A HOT WATER SYSTEM SERVED BY THIS HEATER THAT HAS NOT BEEN USED FOR A LONG PERIOD OF TIME (GENERALLY 2 WEEKS OR MORE). HYDROGEN GAS IS EXTREMELY FLAMMABLE.

TO REDUCE THE RISK OF INJURY UNDER THESE CONDITIONS, IT IS RECOMMENDED THAT THE HOT WATER FAUCET BE OPENED FOR SEVERAL MINUTES AT THE KITCHEN SINK BEFORE USING ANY ELECTRICAL APPLIANCE CONNECTED TO THE HOT WATER SYSTEM.

WHEN HYDROGEN IS PRESENT, THERE WILL PROBABLY BE AN UNUSUAL SOUND SUCH AS AIR ESCAPING THROUGH THE PIPE AS THE WATER BEGINS TO FLOW. THERE SHOULD BE NO SMOKING OR OPEN FLAME NEAR THE FAUCET AT THE TIME IT IS OPEN”.

3. General Description

These SHC water heaters can be used in most point-of-use applications. They are designed to supply hot water for hand wash and kitchen sinks in a residential, commercial or industrial environment.

These water heaters can replace traditional hot water systems which consist of a central hot water heater with hot water piping going to several draw-off points.

The SHC water heaters are lightweight and compact and manufactured for easy installation. The units are designed to be mounted on the wall. These units are designed to operate under normal street water pressure.

4. Technical Description

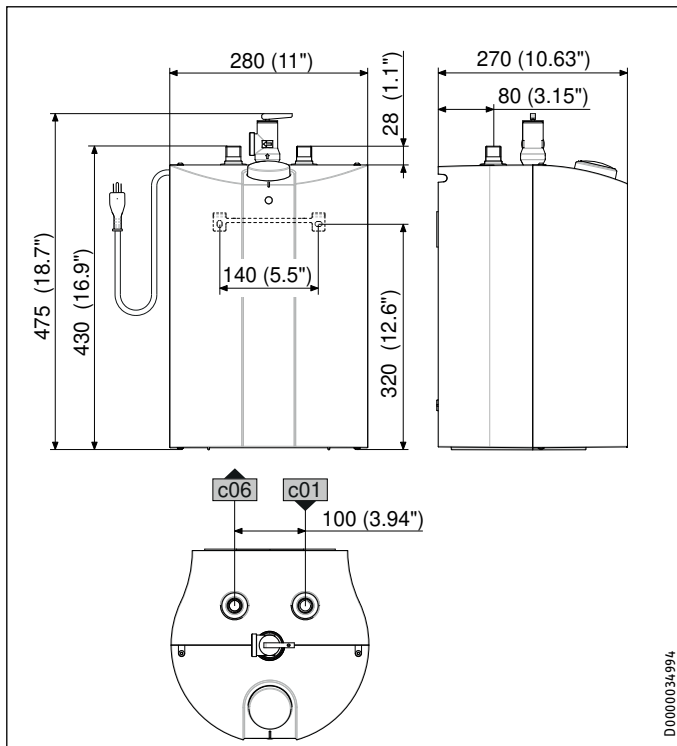
The pressure vessel of the water heater is welded glass-lined steel and is equipped with a sacrificial anode rod. The thermal insulation is polystyrene.

The water heater is equipped with both a thermostat and high limit temperature switch. A temperature/pressure relief valve is supplied with the unit.

5. Technical Data

			SHC 2.5
			233219
Voltage	V		110-120
Wattage, max.	W		1300
Amperage, max.	A		11.3
Phase			Single, 1/N/PE
Frequency	Hz		50/60
Type of installation			Under sink
Internal cylinder material			Steel
Enclosure material			Plastic
Thermal insulation material			Polystyrene
Color			white
Nominal water volume	GAL / L	2.65	10
Standby heat loss	kWh / day		0.5
Recovery time	Minutes		18
Temperature setting range	°F / °C	86-140	30-60
Maximum operating pressure	PSI / MPa	150	1.0
Weight empty	Lbs / kg	15.9	7.2
Water connections			1/2" NPT

Dimensions and connections



			SHC 2.5
c01	Cold water inlet		1/2" NPT
c06	Hot water outlet		1/2" NPT

6. General Recommendations

The installation must be carried out by licensed professionals. All state and local codes must be adhered to.

The manufacturer will not be liable for any damages because of failure to comply with these installation instructions or because of improper installation performed by an unqualified installer.


Choose a location that allows easy access for maintenance or servicing. The water heater should be installed at least 8 - 9" from the ceiling or any adjacent walls.

7. Mounting the Unit

NOTICE:
 **UNIT MUST BE INSTALLED IN A VERTICAL POSITION WITH THE WATER FITTINGS POINTING UPWARD.**

WARNING:
DO NOT INSTALL UNIT WHERE IT WOULD ROUTINELY BE SPLASHED WITH WATER. ELECTRIC SHOCK MAY RESULT.

CAUTION:
HOT WATER OUTLET PIPES LEAVING UNIT CAN BE HOT TO THE TOUCH. INSULATION MUST BE USED FOR HOT WATER PIPES BELOW 36" DUE TO BURN RISK TO CHILDREN.

NOTICE:
 **THIS UNIT SHOULD NOT BE INSTALLED IN A LOCATION WHERE IT MAY BE EXPOSED TO FREEZING TEMPERATURES (LESS THAN 36 °F [2 °C]). IF THE UNIT MAY BE SUBJECT TO FREEZING TEMPERATURES ALL WATER MUST BE DRAINED FROM THE UNIT. FAILURE TO COMPLY WITH THIS INSTRUCTION VOIDS ALL WARRANTIES.**

THE UNIT SHOULD BE LOCATED IN AN AREA WHERE WATER LEAKAGE FROM THE UNIT OR CONNECTIONS WILL NOT RESULT IN DAMAGE TO THE AREA ADJACENT TO THE UNIT. IF SUCH A LOCATION CANNOT BE AVOIDED IT IS RECOMMENDED THAT A DRAIN PAN BE INSTALLED UNDER THE UNIT.

1. Drill two (2) 1/4 inch holes in the wall where the water heater will be mounted.
2. Install plastic wall anchors.
3. Fasten wall mounting bracket to the wall.
4. Hook water heater to the mounting bracket.
5. Pull downwards on the water heater to properly seat it on the bracket.



8. Plumbing Connections



IMPORTANT:
IF WATER PIPES ARE OF COPPER OR BRONZE, USE DIELECTRIC CONNECTIONS TO PREVENT HEATER CORROSION. FAILURE TO PROVIDE DIELECTRIC INSULATION MAY RESULT IN PREMATURE TANK OR NIPPLE FAILURE AND MAY VOID YOUR WARRANTY.



NOTICE:
HARD WATER OR WATER WITH A HIGH MINERAL COUNT MAY DAMAGE THE UNIT. DAMAGE TO THE UNIT CAUSED BY SCALE OR A HIGH MINERAL COUNT IS NOT COVERED UNDER THE WARRANTY.

CAUTION:
TO REDUCE THE RISK OF EXCESSIVE PRESSURE AND TEMPERATURE IN THE WATER HEATER, A COMBINATION TEMPERATURE/PRESSURE (P & T) RELIEF VALVE HAS BEEN PROVIDED AND MUST BE INSTALLED.

CAUTION:
NEVER PLUG THE WATER HEATER'S CORD INTO AN ELECTRICAL OUTLET UNLESS IT IS FILLED WITH WATER. OTHERWISE, THE UNIT WILL GET DAMAGED BEYOND REPAIR.



NOTICE:
WHEN A WATER HEATER IS INSTALLED IN A CLOSED WATER-SUPPLY SYSTEM, SUCH AS ONE HAVING A BACK-FLOW PREVENTER IN THE COLD-WATER SUPPLY, MEANS SHALL BE PROVIDED TO CONTROL THERMAL EXPANSION. CONTACT THE WATER SUPPLIER OR LOCAL PLUMBING INSPECTOR FOR INFORMATION REGARDING THE CONTROL OF THIS SITUATION.

Connect the cold water pipe to the cold water connection on the unit (blue). Connect the hot water pipe to the hot water connection on the unit (red).

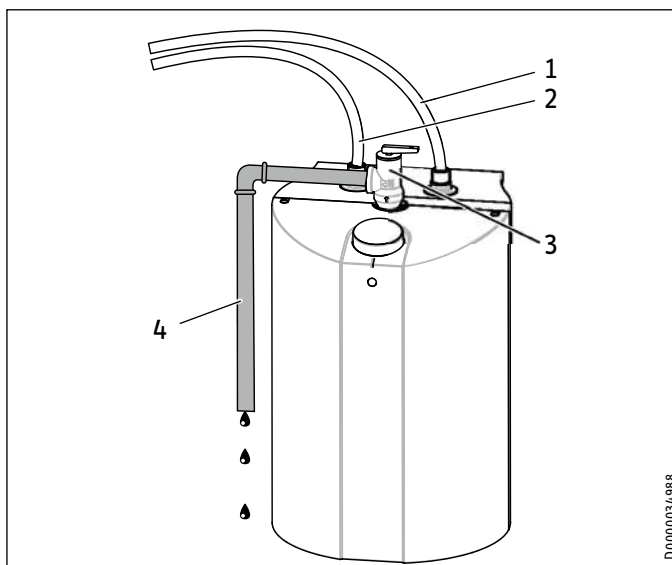
Ensure that the water heater is installed in a level position.

Install a shut off on the cold-water side of the water heater. This is for emergency shut-off. It must be kept open when the water heater is operating.

When using copper piping, solder a piece of tubing to a threaded fitting (union) before screwing the adapter to the tank.

BRAIDED FLEX HOSE CONNECTORS ARE ALSO RECOMMENDED.

DO NOT APPLY HEAT DIRECTLY TO INLET OR OUTLET CONNECTIONS.



1. Cold water inlet
2. Hot water outlet
3. Pressure/temperature relief valve
4. Discharge pipe

Install a discharge pipe from the relief valve terminating at a sink or drain.

DO NOT CAP OR THREAD THE END OF THE DISCHARGE PIPE, IT MUST BE UNOBSTRUCTED AND FULL SIZE.

The P & T valve is certified by a nationally recognized test laboratory that maintains periodic inspection of the listed equipment, and meets the requirements for relief valves and automatic shut-off devices for hot water supply systems ANSI 121.22-1979.

The P & T valve is marked with a maximum pressure, which does not exceed the maximum working pressure of the water heater (150 PSI).

Install the P & T valve into the threaded opening and orient the tubing so that discharge will exit within 6" above or at any distance below the structural floor, and cannot contact any live electrical part.

THE DISCHARGE PIPE

1. Must not be smaller in size than the outlet pipe size of the valve, or have reducing couplings.
2. Must not be plugged or blocked.
3. Must be of material suitable for hot water.
4. Must not be over fifteen feet (15') in length.
5. Must not have more than two elbows.
6. Must terminate at an adequate drain.

OPERATION | INSTALLATION

Electrical Connection

- Must not have a valve between the relief valve and the tank.

FILLING THE WATER HEATER

To fill the water heater:

- Open the hot water faucet.
- Open the cold water supply valve.
- When water runs out of the faucet, the tank is filled.
- Close the hot water faucet.
- Check entire system for leaks.

9. Electrical Connection



CAUTION:
NEVER PLUG THE WATER HEATER'S CORD INTO AN ELECTRICAL OUTLET UNLESS IT IS FILLED WITH WATER. OTHERWISE, THE UNIT WILL GET DAMAGED BEYOND REPAIR.

NOTICE:
THE WATER HEATER MUST BE CONNECTED TO A GROUNDED OUTLET.

THIS WATER HEATER WAS DESIGNED FOR USE AT 110 - 120 V. DO NOT USE THIS WATER HEATER WITH ANY OTHER VOLTAGE. FAILURE TO USE THE CORRECT VOLTAGE MAY RESULT IN PERSONAL INJURY OR PROPERTY DAMAGE.

THE HEATER IS SUPPLIED WITH AN ELECTRICAL CABLE WITH A PLUG. IF THE CABLE IS DAMAGED OR LENGTH NOT SUFFICIENT, IT MUST BE REPLACED BY A LICENSED ELECTRICIAN.

To be certain that all the air is out of the system, open the hot water faucet on your fixtures until constant water flows from them. Otherwise, damage to the element may occur.

Connect the water heater to a GROUNDED OUTLET.

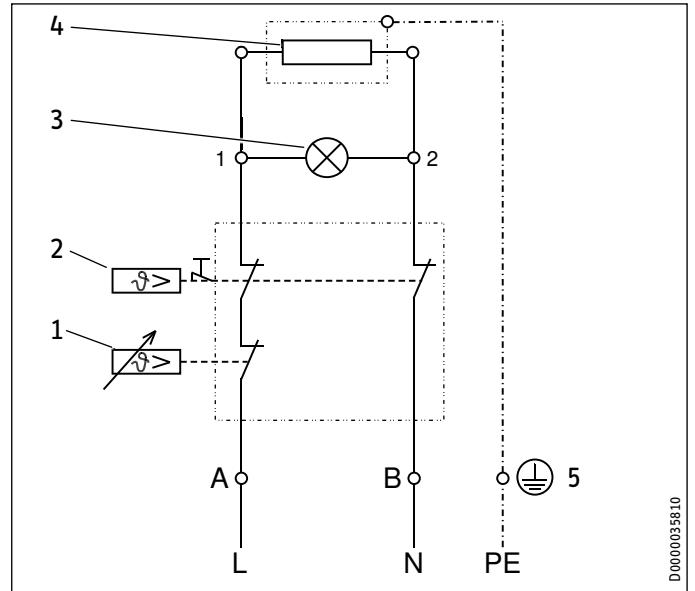
The unit is fitted with a power cord to connect the water heater to a receptacle. State and local codes must be adhered to. Install the correct breaker at the circuit breaker panel.

The water heater was manufactured and wired in accordance with the UL requirements.

A temperature high limit with manual reset has been factory installed to interrupt the power supply in the event of a thermostat failure.

DO NOT use this water heater with any other voltage. Failure to use the correct voltage may result in personal injury or property damage.

Electrical diagram



- Thermostat
- Cut-off
- Lamp indicator
- Heating element
- Tank

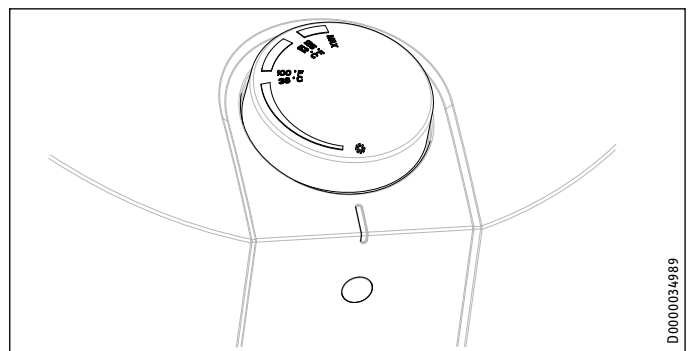
10. Settings

The water heater is equipped with an adjustable thermostat that automatically controls water temperature. The indicator lamp remains lit only when the water is being heated.

The temperature is adjusted by turning the knob counterclockwise (to the left) to increase the temperature and clockwise (to the right) to decrease the temperature.

The water heater thermostat can be set to guard against freezing. This position keeps the internal temperature above the freezing point.

Freeze protection setting

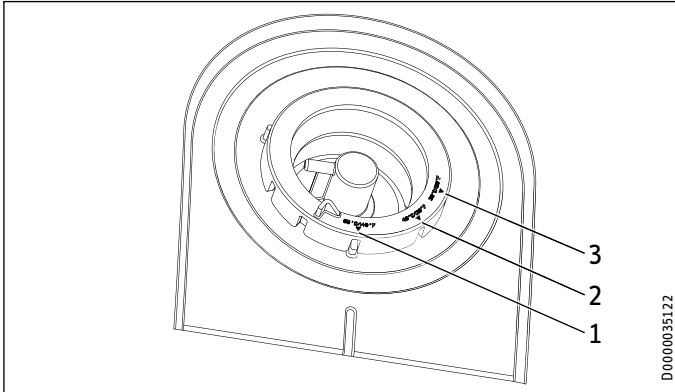


OPERATION | INSTALLATION

Maintenance instructions

Temperature setting

The water heater thermostat is factory set at 120 °F (49 °C).



Temperature settings:

1. 100 °F (38 °C)
2. 120 °F (49 °C)
3. 140 °F (60 °C)

11. Maintenance instructions



WARNING:
BEFORE SERVICING OR CLEANING THE WATER HEATER, DISCONNECT THE WATER HEATER FROM THE ELECTRICAL OUTLET.

THE TEMPERATURE/PRESSURE RELIEF VALVE MUST BE MANUALLY OPERATED AT LEAST ONCE PER YEAR. CAUTION SHOULD BE TAKEN TO ENSURE THAT:

- 1. NO ONE IS NEAR THE TEMPERATURE/PRESSURE RELIEF VALVE DISCHARGE PIPE.**
- 2. THE WATER DISCHARGED WILL NOT CAUSE ANY BODILY INJURY OR PROPERTY DAMAGE. THE WATER MAY BE EXTREMELY HOT.**

Do not attempt to repair the water heater.

Call your licensed plumber or electrician for service. Unplug the unit whenever the water supply is turned off.

Before calling for service, make sure that:

1. The heater is properly filled.
2. The electrical supply has not been interrupted.

Approximately every two years, it is advisable to descale the heating element and to check the condition of the magnesium anode, replacing it if the diameter is less than .32" (8 mm). (See changing the anode rod).

The temperature/pressure relief valve must be manually operated at least once per year. Caution should be taken to ensure that:

1. No one is near the temperature/pressure relief valve discharge pipe.
2. The water discharged will not cause any bodily injury or property damage. The water may be extremely hot.

If after manually operating it, the valve fails to completely reset and continues to release water, immediately close the cold water inlet to the heater. Replace the temperature/pressure valve with a new one.

Failure to install and maintain a properly functioning and properly listed temperature/pressure relief valve will release the manufacturer and distributor of this water heater from any claim which might result from excessive temperature or pressure.

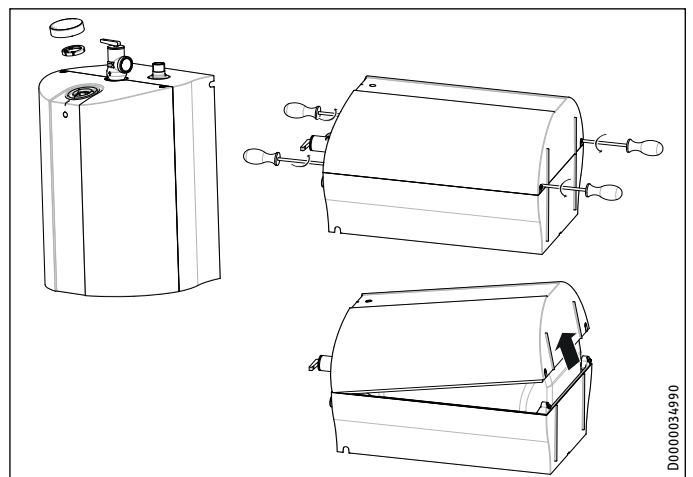
Draining the water heater

Some service work requires draining the water heater. This should be done in the following manner:

1. Unplug the water heater.
2. Open the hot water faucet to let the hot water out. Let it continue to flow until cold water runs from the faucet.
3. Turn off the cold water supply to the heater.
4. Close the hot water faucet
5. Disconnect the heater from both the hot and cold water pipes.
6. Carefully detach the water heater from the wall.
7. Tilt the water heater to drain out the remaining water.

Removing the cover

1. Remove the temperature control knob from the front of the unit.
2. Remove the screws from the cover.
3. Remove the cover by lifting the back and pulling forward. Cover should come right off.

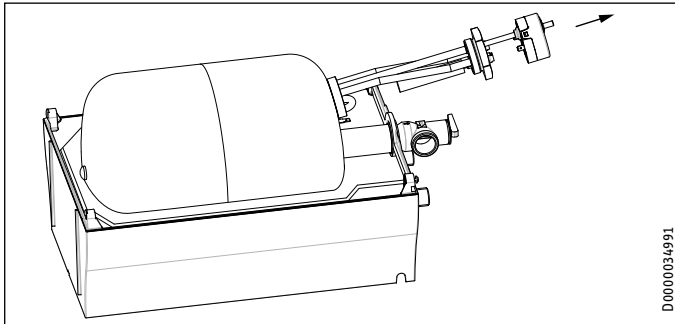


OPERATION | INSTALLATION

Maintenance instructions

Removing the heating element

1. Unplug and drain the water heater (see draining instructions).
2. Remove the cover (see removing cover instructions).
3. Remove the thermostat from the heating element.
4. Remove the fitting on top of the heating element pipe.
5. Using a suitable wrench, unscrew the heating element.
6. Remove the heating element out of the tank.



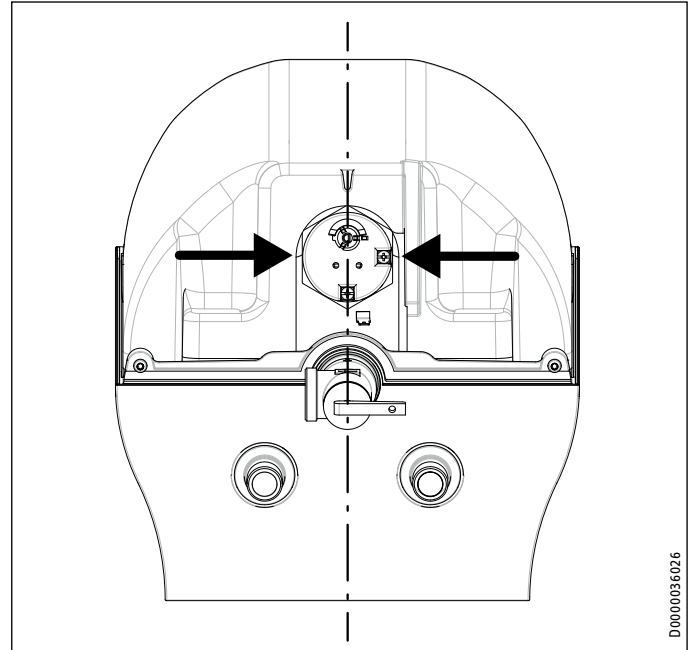
De-scaling the heating element

Scale deposit can affect the heating capacity of the heating element. Scale can even cause the element to burn out. The element can be descaled either chemically or manually.

1. Remove the heating element (see “Removing the heating element”).
2. To descale chemically, soak the heating element in white vinegar or other descaling solution then rinse well.
3. To descale manually, use a nonmetallic (soft) tool; brush the crust off the element. Make sure you do not damage the surface of the heating element.
4. Reinstall the heating element
5. Refill the tank before turning on the power to the water heater.

Replacing the heating element

1. Unplug and drain the water heater (see draining instructions).
2. Remove the cover (see removing cover instructions).
3. Remove the heating element (see removing heating element instructions).
4. Install and seal the new element. Make sure that the heating element is positioned correctly.
5. Remount all the line wires to their original location.

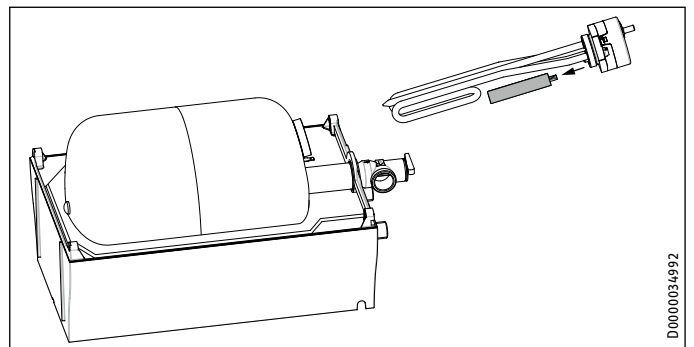


Changing the anode rod

A magnesium anode is used to extend the life of the tank. Permanent removal of this anode for any reason will void the warranty.

Depending on conditions, the magnesium anode rod may need to be changed every year or so. Galvanic and electrolytic corrosion can destroy a tank with a spent anode rod. Rusty water is usually an indicator of a spent anode rod.

1. Unplug and drain the water heater (see draining instructions).
2. Remove cover (see removing cover instructions).
3. Remove heating element (see removing the heating element instructions).
4. Remove the anode rod from the dismantled heating element holder by unscrewing.
5. Fit a new anode rod into the heating element holder.
6. Refit all the wires and the heating element.
7. Refill the water heater with water and check for leaks before connecting the power.



WARRANTY

Warranty

Safety Shut-off



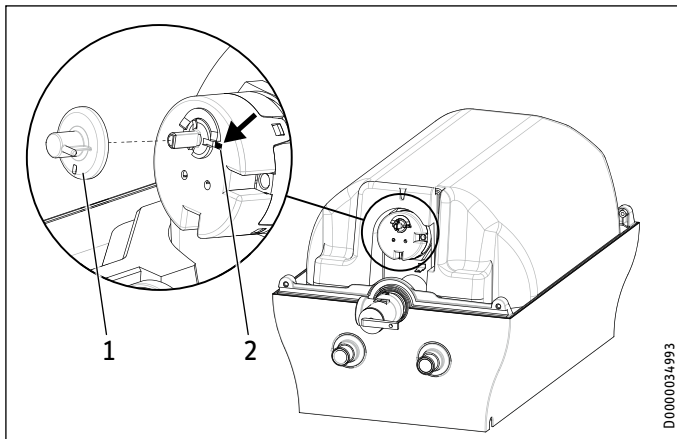
WARNING:
NEVER LOCK THE SLIDING RESET PLUNGER.

DANGER:
WATER TEMPERATURES OVER 125 °F (52 °C) CAN CAUSE SEVERE BURNS INSTANTLY OR DEATH FROM SCALDING. DO NOT ATTEMPT TO RESET THE HIGH LIMIT SWITCH WITHOUT FIRST COOLING DOWN THE WATER INSIDE THE WATER HEATER.

Resetting high temperature shut off system

1. Unplug the water heater
2. Remove the cover (see removing the cover instructions).
3. Unplug the adapter from the controller shaft.
4. Press in button with an appropriate tool.
5. Replace the adapter in the correct position.
6. Replace the cover of the heater and tighten.
7. Replace the thermostat control knob.

During heating, the water volume and water pressure increases in the tank. It is possible for water to leak from the safety valve, this is normal.



1. Adapter
2. Button

12. Warranty

Stiebel Eltron warrants to the original owner that the SHC 2.5 water heater will be free from defects in workmanship and materials. The tank is guaranteed against leakage for a period of six (6) years from the date of purchase. All other components are warranted for a period of two (2) years.

Should the part(s) prove to be defective under normal use during this period, Stiebel Eltron, Inc. will be responsible for replacement of the defective part(s) only. Stiebel Eltron, Inc. will not be liable for any costs of transportation, removal, reinstallation, or any other labor or freight charges that may arise in connection with a warranty claim or any incidental or consequential expenses.

This warranty does not apply:

1. if the water heater has not been installed, operated or maintained in accordance with the manufacturer's written instructions.
2. if the water heater has not been installed in accordance with applicable state/local, plumbing or building codes.
3. if the water heater has not been continuously supplied with water, otherwise defined as "dry-firing"
4. if the water heater has been altered in any manner, or installed by non-qualified personnel.
5. to conditions resulting from misuse, abuse, neglect, accident, or alteration to excessive pressure
6. to conditions resulting from floods, earthquakes, winds, fire, lightning, or circumstances beyond the manufacturer's control
7. to water damage resulting either directly or indirectly, from any defect in the water heater or its components.

To obtain service under this warranty, the owner must first secure written authorization from Stiebel Eltron, Inc. The owner shall be required to show proof of purchase date, and to pay all transportation costs to return the defective part(s) for repair or replacement.

STIEBEL ELTRON, Inc.

17 West Street

West Hatfield, MA 01088, USA

PHONE: 800.582.8423 or 413.247.3380

FAX: 413.247.3369

Email: info@stiebel-eltron-usa.com

www.stiebel-eltron-usa.com

1.	Información general	11
2.	Advertencias de seguridad	12
3.	Descripción general	13
4.	Descripción técnica	13
5.	Datos técnicos	13
6.	Recomendaciones generales	13
7.	Cómo montar la unidad	14
8.	Conexiones de plomería	14
9.	Conexión eléctrica	15
10.	Configuraciones	16
11.	Instrucciones de mantenimiento	17
12.	Garantía	20

INSTRUCCIONES DE SEGURIDAD IMPORTANTES



ADVERTENCIA:

AL UTILIZAR APARATOS ELÉCTRICOS, PARA REDUCIR EL RIESGO DE INCENDIO, DESCARGA ELÉCTRICA O LESIONES A PERSONAS, DEBE RESPETAR LAS MEDIDAS BÁSICAS DE SEGURIDAD, A SABER:

1. LEA TODAS LAS INSTRUCCIONES ANTES DE UTILIZAR EL CALENTADOR DE AGUA.
2. Este calentador de agua debe estar puesto a tierra. Conéctelo únicamente a un tomacorriente que tenga una apropiada puesta a tierra. Vea “INSTRUCCIONES DE CONEXIÓN” en el capítulo “CONEXIÓN ELÉCTRICA”.
3. Instale o ubique este calentador de agua únicamente de acuerdo con las instrucciones de instalación suministradas.
4. Este calentador de agua solamente debe tener el uso previsto que se describe en este manual.
5. No utilice un cable alargador para este calentador de agua. Si Ud. no cuenta con ningún receptáculo eléctrico cercano al calentador de agua, contacte a un electricista calificado para instalar un receptáculo correctamente.
6. Como con cualquier otro aparato, es necesario supervisar de cerca a los niños si estos utilizan el aparato.
7. No haga funcionar este calentador de agua si tiene un cable o enchufe dañado, si no funciona correctamente o si ha sido dañado o se ha caído.
8. Solo el personal de servicio técnico calificado debe realizar el mantenimiento de este calentador de agua. Comuníquese con el personal matriculado más cercano para la inspección, reparación o ajuste de la unidad.

CONSERVE ESTAS INSTRUCCIONES

1. Información general



PRECAUCIÓN:

PARA REDUCIR EL RIESGO DE TEMPERATURA Y PRESIÓN EXCESIVAS EN EL CALENTADOR DE AGUA, INSTALE EL EQUIPO DE PROTECCIÓN DE TEMPERATURA Y PRESIÓN EXIGIDO POR LOS CÓDIGOS LOCALES Y UNA VÁLVULA DE DESCARGA COMBINADA DE TEMPERATURA Y PRESIÓN CERTIFICADA POR UN LABORATORIO DE ANÁLISIS RECONOCIDO A NIVEL NACIONAL QUE REALICE INSPECCIONES PERIÓDICAS DE LA PRODUCCIÓN DE LOS EQUIPOS O MATERIALES MENCIONADOS Y CUMPLA LOS REQUISITOS PARA VÁLVULAS DE DESCARGA Y DISPOSITIVOS DE APAGADO AUTOMÁTICO PARA SUMINISTRO DE AGUA CALIENTE ANSI Z21.22. ESTA VÁLVULA TIENE UNA MARCA DE PRESIÓN MÁXIMA, LA CUAL NO EXCEDE LA PRESIÓN OPERATIVA MÁXIMA DEL CALENTADOR DE AGUA. INSTALE LA VÁLVULA EN LA ABERTURA SUMINISTRADA Y MARCADA PARA ESTE FIN EN EL CALENTADOR DE AGUA Y ORIENTE LA TUBERÍA DE MODO QUE LA DESCARGA DE LA VÁLVULA SALGA DENTRO DE LAS 6" POR ARRIBA O A CUALQUIER DISTANCIA POR DEBAJO DEL SUELO ESTRUCTURAL. NO DEBE HACER CONTACTO CON NINGUNA PARTE CONECTADA A LA CORRIENTE ELÉCTRICA. LA ABERTURA DE DESCARGA NO SE DEBE BLOQUEAR O REDUCIR EN NINGUNA CIRCUNSTANCIA.

Lea este manual completamente. El incumplimiento de todas las guías, instrucciones y normas puede causar lesiones personales o daños materiales. Todo uso, servicio, alteración, ajuste e instalación inapropiados puede provocar graves lesiones o daños.

Esta unidad debe ser instalada por un electricista y plomero matriculado. La instalación debe cumplir con todos los códigos de plomería y electricidad locales, del estado y de la nación. Es responsabilidad del instalador realizar una instalación apropiada. El incumplimiento de las instrucciones de instalación y funcionamiento o el uso inapropiado anulan la garantía.

Conserve estas instrucciones para futuras consultas. El instalador deberá dejarle estas instrucciones al consumidor.

Si tiene preguntas acerca de la instalación, el uso o el funcionamiento de este calentador de agua, o si necesita manuales adicionales de instalación, comuníquese con nuestra línea de servicio técnico: 800-582-8423 (solo para EE. UU. y Canadá). Si Ud. se comunica desde el exterior de los EE. UU. o de Canadá, marque USA 413-

247-3380. Lo pondremos en contacto con un representante de servicio técnico calificado de Stiebel Eltron en su zona.

1. No ubique el calentador de agua en lugares donde las tuberías de agua puedan estar sujetas a temperaturas muy bajas.
2. Se recomienda contar con una rejilla de desagüe cerca de la unidad para que la unidad desagüe fácilmente si es necesario.
3. En la instalación del calentador de agua, debe asegurarse de que, en caso de pérdida de agua, el agua que se pierda no provoque daños en el área que rodea al calentador de agua. Bajo ninguna condición el fabricante se responsabilizará por los daños causados por el agua en relación con este calentador de agua.
4. Cuando instale el calentador de agua, debe asegurarse de que haya suficiente espacio libre alrededor de la unidad para facilitar su mantenimiento y servicio.



ESTE ES EL SÍMBOLO DE ALERTA DE SEGURIDAD. SE UTILIZA PARA AVISAR SOBRE PELIGROS POTENCIALES DE LESIONES PERSONALES. RESPETE TODOS LOS MENSAJES DE SEGURIDAD CON ESTE SÍMBOLO PARA EVITAR UNA POSIBLE LESIÓN O MUERTE.

2. Advertencias de seguridad



LEA Y SIGA ESTAS INSTRUCCIONES. EL INCUMPLIMIENTO DE ESTAS INSTRUCCIONES PUEDE CAUSAR LESIONES FÍSICAS GRAVES O LA MUERTE.

LA UNIDAD DEBE SER INSTALADA POR UN PLOMERO MATRICULADO. LA INSTALACIÓN DEBE CUMPLIR CON TODOS LOS CÓDIGOS DE PLOMERÍA Y ELECTRICIDAD LOCALES, DEL ESTADO Y DE LA NACIÓN.

EL MANTENIMIENTO O REPARACIÓN DE LA UNIDAD DEBE SER REALIZADO POR UNA AGENCIA DE SERVICIO CALIFICADO.

ANTES DE REALIZAR LA INSTALACIÓN, EL AJUSTE, LA ALTERACIÓN O EL SERVICIO TÉCNICO DE ESTA UNIDAD, ES NECESARIO DESENCHUFAR EL CABLE DE ELECTRICIDAD. NO HACERLO PUEDE PROVOCAR LESIONES PERSONALES GRAVES O LA MUERTE.

NUNCA quite la cubierta de la unidad, a menos que la electricidad que alimenta la unidad esté cortada. No hacerlo puede provocar lesiones personales o la muerte.

NO ALMACENE NI USE GASOLINA NI NINGÚN OTRO VAPOR O LÍQUIDO INFLAMABLE CERCA DE ESTE O DE OTRO APARATO.



PELIGRO: LAS TEMPERATURAS DE AGUA SUPERIORES A LOS 125 °F (52 °C) PUEDEN CAUSAR QUEMADURAS GRAVES DE MANERA INSTANTÁNEA O LA MUERTE POR QUEMADURAS. HAY UN RIESGO POTENCIAL DE QUEMADURAS CON AGUA CALIENTE SI EL TERMOSTATO DE LA UNIDAD ESTÁ CONFIGURADO DEMASIADO ELEVADO. EN LOS HOGARES DONDE HAY NIÑOS PEQUEÑOS, PERSONAS DISCAPACITADAS O PERSONAS MAYORES, PROBABLEMENTE SE REQUIERA QUE EL TERMOSTATO SE CONFIGURE A 120 °F (49 °C) O A UNA TEMPERATURA MENOR PARA EVITAR POSIBLES LESIONES POR AGUA CALIENTE.



ADVERTENCIA: ESTE CALENTADOR DE AGUA DEBE SER INSTALADO ESTRICTAMENTE SEGÚN LAS INSTRUCCIONES ADJUNTAS Y LOS CÓDIGOS DE ELECTRICIDAD Y EDIFICACIÓN LOCALES. ADEMÁS, ES POSIBLE QUE LAS CONEXIONES CON EL CALENTADOR DE AGUA PROVOQUEN PÉRDIDAS DE AGUA. POR LO TANTO, ES NECESARIO QUE LA INSTALACIÓN DEL CALENTADOR DE AGUA PERMITA QUE EL AGUA QUE CAIGA SE DIRIJA A UNA REJILLA DE DESAGÜE APROPIADA, DE MODO QUE EL AGUA NO PRODUZCA DAÑOS AL EDIFICIO, LOS MUEBLES, LAS ALFOMBRAS O CUALQUIER OTRA PERTENENCIA. NI EL FABRICANTE NI EL DISTRIBUIDOR SE RESPONSABILIZARÁN POR LOS DAÑOS CAUSADOS POR EL AGUA QUE SALE DEL CALENTADOR DE AGUA, LA VÁLVULA DE DESCARGA DE PRESIÓN DE LA TEMPERATURA O LOS ELEMENTOS RELACIONADOS SI NO SE HA PROVISTO UN DESAGÜE APROPIADO PARA EL AGUA.



PRECAUCIÓN: UN CALENTADOR DE AGUA EQUIPADO CON UN DISPOSITIVO DE PROTECCIÓN CATÓDICA O UN ÁNODO SACRIFICIAL DEBERÁ SER PROVISTO JUNTO CON INSTRUCCIONES QUE INCLUYAN LA PALABRA “PRECAUCIÓN” Y EL SIGUIENTE MENSAJE O UNO EQUIVALENTE: “EL GAS HIDRÓGENO PUEDE PRODUCIRSE EN UN SISTEMA DE AGUA CALIENTE PROPORCIONADO POR ESTE CALENTADOR SI ESTE CALENTADOR NO SE HA UTILIZADO POR UN LARGO PERÍODO DE TIEMPO (EN GENERAL, 2 SEMANAS O MÁS). EL HIDRÓGENO ES UN GAS EXTREMADAMENTE INFLAMABLE. PARA EVITAR EL RIESGO DE LESIONES EN ESTAS CONDICIONES, SE RECOMIENDA ABRIR LA LLAVE DE AGUA CALIENTE DE LA PILETA DE LA COCINA DURANTE VARIOS MINUTOS ANTES DE UTILIZAR CUALQUIER APARATO ELÉCTRICO CONECTADO AL SISTEMA DE AGUA CALIENTE. CUANDO HAY HIDRÓGENO PRESENTE, PROBABLEMENTE HABRÁ UN SONIDO INUSUAL, COMO EL AIRE QUE ESCAPA POR LA TUBERÍA CUANDO EL AGUA COMIENZA A CORRER. NO SE DEBE FUMAR NI DEJAR NINGUNA HORNALLA PRENDIDA CERCA DE LA PILETA CUANDO LA LLAVE DE AGUA ESTÉ ABIERTA”.

Descripción general

3. Descripción general

Estos calentadores de agua SHC pueden utilizarse en la mayoría de las aplicaciones en el punto de uso. Están diseñados para proporcionar agua caliente para el lavado de manos y para las piletas de cocina en el ámbito hogareño, comercial o industrial.

Estos calentadores de agua pueden reemplazar a los sistemas tradicionales de agua caliente que consisten en un calentador central de agua con una tubería de agua caliente dirigida a varios puntos de drenaje.

Los calentadores de agua SHC son livianos y compactos, y están fabricados de modo que la instalación resulte sencilla. Las unidades están diseñadas para montarse sobre una pared. Estas unidades están diseñadas para funcionar de acuerdo con la presión normal del agua de la calle.

4. Descripción técnica

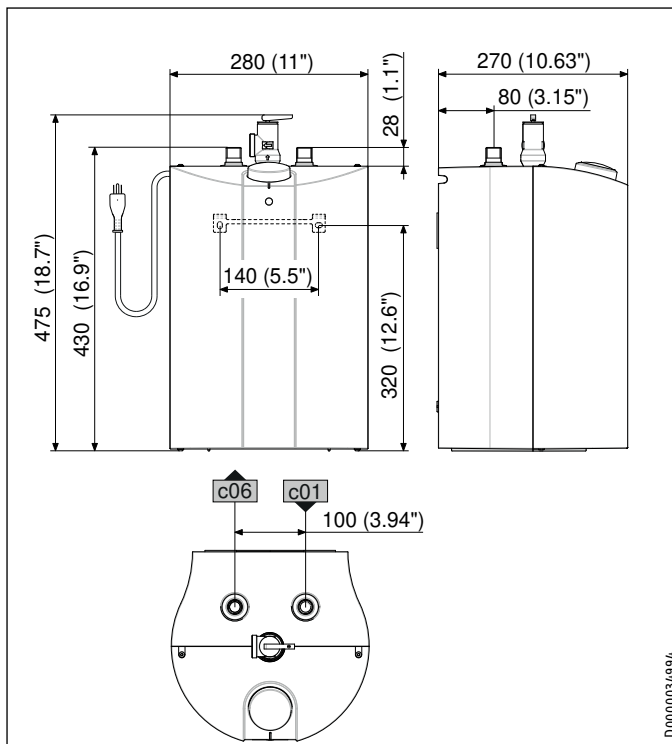
La válvula de presión del calentador de agua es de acero esmaltado y soldado y está equipada con un ánodo sacrificial en forma de rodillo. La aislación térmica es de poliestireno.

El calentador de agua está equipado con un termostato y un interruptor de límite alto de temperatura. La unidad viene provista con una válvula de descarga de temperatura/presión.

5. Datos técnicos

		SHC 2.5	
		233219	
Voltaje	V	110-120	
Vataje, máx.	W	1300	
Amperaje, máx.	A	11.3	
Fase		Única, 1/N/PE	
Frecuencia	Hz	50/60	
Tipo de instalación		Bajo la pileta	
Material del cilindro interno		Steel	
Material del recubrimiento externo		Plastic	
Material de la aislación térmica		Polystyrene	
Color		white	
Volumen nominal de agua	GAL / L	2.65	10
Pérdida de calor en modo espera	kWh / día	0.5	
Tiempo de recuperación	Minutos	18	
Rango de configuración de la temperatura	°F / °C	86-140	30-60
Presión máxima de funcionamiento	PSI / MPa	150	1.0
Peso en vacío	Lbs / kg	15.9	7.2
Conexiones de agua		1/2" NPT NPT (estándar para tuberías que rige en los EE. UU.)	

Dimensiones y conexiones



		SHC 2.5
c01	Entrada de agua fría	1/2" NPT
c06	Salida de agua caliente	1/2" NPT

6. Recomendaciones generales

La instalación debe ser realizada por profesionales matriculados. Todos los códigos locales y del estado deben ser respetados.

El fabricante no se responsabilizará por los daños causados por el incumplimiento de estas instrucciones de instalación o por una instalación incorrecta realizada por un instalador no calificado.

Elija una ubicación que permita un fácil acceso para el mantenimiento o reparación. El calentador de agua deberá ser instalado a 8 ó 9" como mínimo del techo o de las paredes adyacentes.

7. Cómo montar la unidad



AVISO:
LA UNIDAD DEBE SER INSTALADA EN POSICIÓN VERTICAL. LOS EMPALMES PARA LA CONDUCCIÓN DEL AGUA DEBEN APUNTAR HACIA ARRIBA.

ADVERTENCIA:
NO INSTALE LA UNIDAD EN UN LUGAR DONDE RECIBA SALPICADURAS DE AGUA A MENUDO, YA QUE ESO PODRÍA CAUSAR UNA DESCARGA ELÉCTRICA.

PRECAUCIÓN:
LOS TUBOS DE AGUA CALIENTE QUE SALEN DE LA UNIDAD PUEDEN ESTAR CALIENTES AL TACTO. SE DEBE USAR LA AISLACIÓN PARA TUBERÍAS DE AGUA CALIENTE POR DEBAJO DE 36" PARA EVITAR RIESGOS DE QUEMADURAS EN NIÑOS.



AVISO:
ESTA UNIDAD NO DEBE SER INSTALADA EN UN LUGAR DONDE PUEDA ESTAR EXPUESTA A TEMPERATURAS MUY BAJAS (MENORES A 36 °F [2 °C]). SI LA UNIDAD PUDIERA ESTAR EXPUESTA A TEMPERATURAS MUY BAJAS, SE DEBE VACIAR TODO EL AGUA DE LA UNIDAD. EL INCUMPLIMIENTO DE ESTA INSTRUCCIÓN ANULA TODAS LAS GARANTÍAS.

LA UNIDAD DEBE SER UBICADA EN UN LUGAR DONDE LA PÉRDIDA DE AGUA DE LA UNIDAD O DE LAS CONEXIONES NO CAUSE DAÑOS AL ÁREA ADYACENTE A LA UNIDAD. SI NO ES POSIBLE CONTAR CON UN LUGAR ASÍ, SE RECOMIENDA INSTALAR UNA BANDEJA DE DRENAJE DEBAJO DE LA UNIDAD.

1. Realice dos (2) orificios de 1/4 de pulgada en la pared donde el calentador de agua será montado.
2. Inserte anclajes plásticos de pared.
3. Sujete el soporte de montaje a la pared.
4. Enganche el calentador de agua al soporte de montaje.
5. Jale el calentador de agua hacia abajo para asentarlos correctamente sobre el soporte.

8. Conexiones de plomería



IMPORTANTE:
SI LAS TUBERÍAS DE AGUA SON DE COBRE O BRONCE, UTILICE CONEXIONES DIELECTRICAS PARA EVITAR LA CORROSIÓN DEL CALENTADOR. LA FALTA DE AISLACIÓN DIELECTRICA PUEDE CAUSAR FALLAS TEMPRANAS EN EL TANQUE O EN LOS NIPLES Y PUEDE ANULAR SU GARANTÍA.



AVISO:
LAS AGUAS DURAS O CON ALTO CONTENIDO DE MINERALES PUEDEN DAÑAR LA UNIDAD. LOS DAÑOS A LA UNIDAD CAUSADOS POR EL SARRO O EL ALTO CONTENIDO DE MINERALES NO ESTÁN CUBIERTOS POR LA GARANTÍA.

PRECAUCIÓN:
PARA REDUCIR EL RIESGO DE TEMPERATURA Y PRESIÓN EXCESIVAS EN EL CALENTADOR DE AGUA, SE HA PROVISTO UNA VÁLVULA DE DESCARGA COMBINADA DE TEMPERATURA/PRESIÓN (P Y T), LA CUAL DEBE SER INSTALADA.

PRECAUCIÓN:
NUNCA CONECTE EL CABLE DEL CALENTADOR DE AGUA A UN TOMACORRIENTE, A MENOS QUE EL CALENTADOR ESTÉ LLENADO CON AGUA. DE LO CONTRARIO, LA UNIDAD SUFRIRÁ DAÑOS SIN POSIBILIDAD DE REPARACIÓN.



AVISO:
CUANDO SE INSTALA UN CALENTADOR DE AGUA EN UN SISTEMA CERRADO DE SUMINISTRO DE AGUA, COMO UN SISTEMA CON SUPRESOR DE REFLUJO EN EL SUMINISTRO DE AGUA FRÍA, SE DEBE PROCURAR UN MEDIO PARA CONTROLAR LA EXPANSIÓN TÉRMICA. CONTACTE AL PROVEEDOR DE AGUA O A UN INSPECTOR DE PLOMERÍA LOCAL PARA RECIBIR INFORMACIÓN SOBRE EL CONTROL DE ESTA SITUACIÓN.

Conecte la tubería de agua fría a la conexión de agua fría de la unidad (azul). Conecte la tubería de agua caliente a la conexión de agua caliente de la unidad (roja).

Asegúrese de que el calentador de agua esté instalado en posición horizontal.

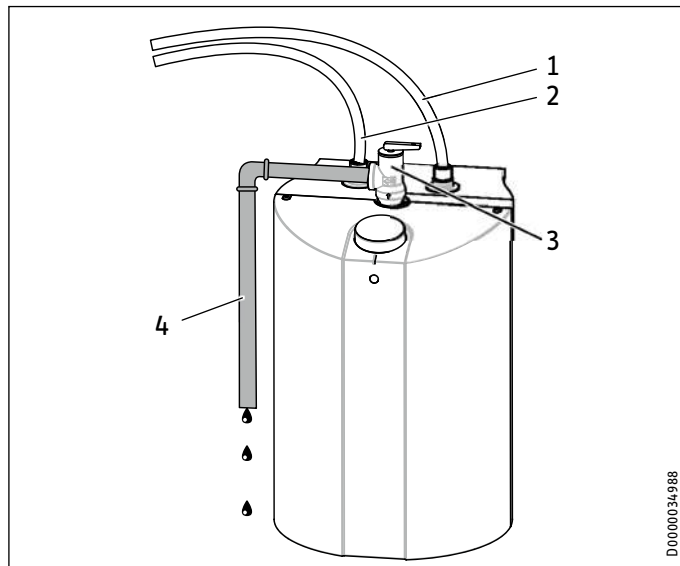
Instale una válvula de cierre en el lado del agua fría del calentador de agua. Esto es para un cierre de emergencia. Debe quedar abierta cuando el calentador de agua está en funcionamiento.

Conexión eléctrica

Si se utiliza una tubería de cobre, se deberá soldar un trozo de tubo a un empalme de rosca (unión) antes de atornillar el adaptador al tanque.

TAMBIÉN SE RECOMIENDAN LAS TUBERÍAS TRENZADAS FLEXIBLES.

NO APLIQUE CALOR DIRECTO SOBRE LAS CONEXIONES DE ENTRADA O SALIDA.



1. Entrada de agua fría
2. Salida de agua caliente
3. Válvula de descarga de presión/temperatura
4. Tubería de descarga

Instale una tubería de descarga desde la válvula de descarga hasta una pileta o desagüe.

NO TAPE NI MODIFIQUE EL EXTREMO DE LA TUBERÍA DE DESCARGA; DEBE ESTAR LIBRE DE OBSTRUCCIONES Y EN SU TAMAÑO COMPLETO.

La válvula de P y T está certificada por un laboratorio de análisis reconocido a nivel nacional. Este laboratorio realiza inspecciones periódicas del equipo mencionado y cumple con los requisitos necesarios para las válvulas de descarga y los dispositivos de apagado automático para sistemas de suministro de agua caliente ANSI 121.22-1979.

La válvula de P y T tiene una marca de presión máxima, la cual no excede la presión operativa máxima del calentador de agua (150 PSI).

Instale la válvula de P y T en la abertura y oriente la tubería de modo que la descarga salga dentro de las 6" por arriba o a cualquier distancia por debajo del suelo estructural. No debe hacer contacto con ninguna parte conectada a la corriente eléctrica.

LA TUBERÍA DE DESCARGA

1. No debe tener un tamaño menor que el de la tubería de salida de la válvula ni tener acoplamientos reducidos.
2. No debe ser conectada a la corriente eléctrica ni ser bloqueada.
3. Debe ser hecha de un material adecuado para el agua caliente.
4. No debe medir más de quince pies (15') de longitud.
5. No debe tener más de dos empalmes.
6. Debe finalizar en un desagüe apropiado.
7. No debe tener una válvula entre la válvula de descarga y el tanque.

CÓMO LLENAR EL CALENTADOR DE AGUA

Para llenar el calentador de agua:

1. Abra la llave de agua caliente.
2. Abra la válvula de suministro de agua fría.
3. Cuando el agua termine de salir por la llave de agua, el tanque estará lleno.
4. Cierre la llave de agua caliente.
5. Revise todo el sistema para buscar pérdidas.

9. Conexión eléctrica



PRECAUCIÓN:

NUNCA ENCHUFE EL CABLE DEL CALENTADOR DE AGUA A UN TOMACORRIENTE, A MENOS QUE EL CALENTADOR ESTÉ LLENADO CON AGUA. DE LO CONTRARIO, LA UNIDAD SUFRIRÁ DAÑOS SIN POSIBILIDAD DE REPARACIÓN.

AVISO:

EL CALENTADOR DE AGUA DEBE CONECTARSE A UN TOMACORRIENTE PUESTO A TIERRA.

ESTE CALENTADOR DE AGUA FUE DISEÑADO PARA SER UTILIZADO A 110 - 120 V. NO UTILICE ESTE CALENTADOR DE AGUA CON OTRO VOLTAJE. EL USO DE VOLTAJE INCORRECTO PUEDE CAUSAR LESIONES PERSONALES O DAÑOS MATERIALES.

EL CALENTADOR VIENE PROVISTO CON UN CABLE ELÉCTRICO Y UN ENCHUFE. SI EL CABLE ESTÁ DAÑADO O SU LONGITUD NO ES SUFICIENTE, DEBERÁ SER REEMPLAZADO POR UN ELECTRICISTA MATRICULADO.

Para asegurarse de que no haya aire en el sistema, abra la llave de agua caliente de sus instalaciones hasta que el agua salga de manera constante de ellas. De lo contrario, se podrá dañar algún elemento.

OPERACIÓN | INSTALACIÓN

Configuraciones

Conecte el calentador a un TOMACORRIENTE PUESTO A TIERRA.

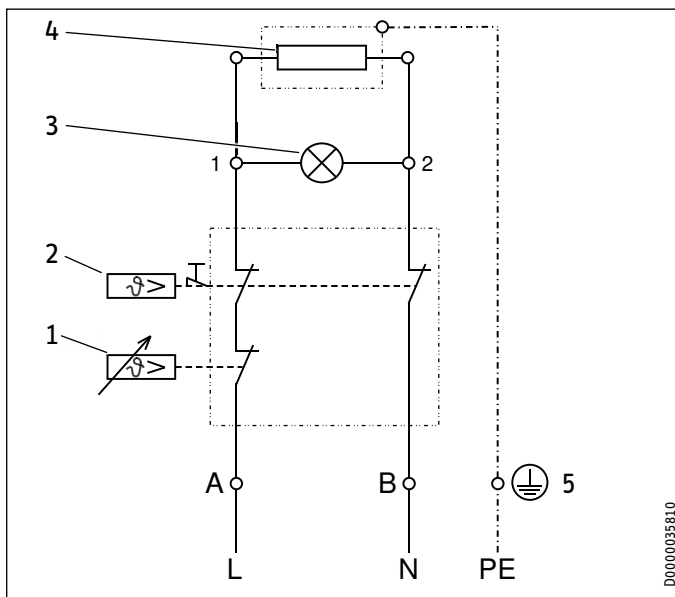
La unidad viene equipada con un cable de electricidad para conectar el calentador de agua a un receptáculo. Todos los códigos locales y del estado deben ser respetados. Instale el interruptor eléctrico correcto en el panel del interruptor de circuito.

La fabricación y la instalación de los cables del calentador de agua cumplen con los requisitos de UL.

Un límite de temperatura alta con reconfiguración manual viene instalado de fábrica para interrumpir el suministro de electricidad en caso de una falla en el termostato.

NO utilice este calentador de agua con otro voltaje. El uso de voltaje incorrecto puede causar lesiones personales o daños materiales.

Diagrama eléctrico



1. Termostato
2. Interruptor
3. Lámpara indicadora
4. Elemento calefactor
5. Tanque

10. Configuraciones

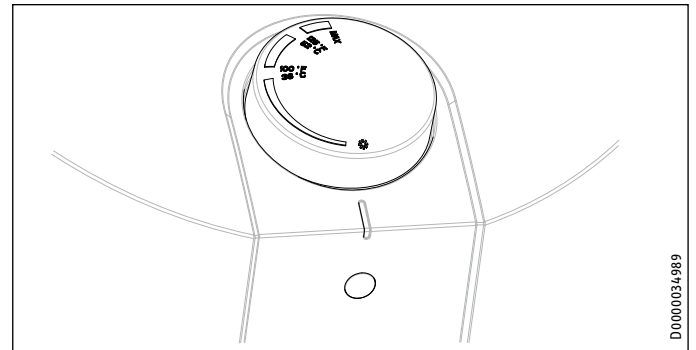
El calentador de agua está equipado con un termostato ajustable que controla la temperatura del agua automáticamente. La lámpara indicadora se mantiene encendida solamente cuando el agua se está calentando.

Para ajustar la temperatura, Ud. debe hacer girar la perilla en el sentido contrario a las manecillas del reloj (hacia la izquierda) para aumentar la temperatura y en

el mismo sentido de las manecillas del reloj (hacia la derecha) para reducir la temperatura.

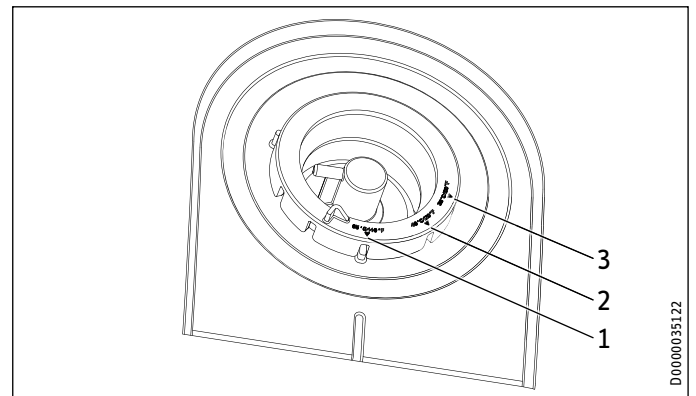
El termostato del calentador de agua puede configurarse para ser protegido de las temperaturas muy bajas. Esta posición mantiene la temperatura interna por encima del punto de congelación.

Configuración de la protección contra la congelación



Configuración de la temperatura

El termostato del calentador de agua viene configurado de fábrica a 120 °F (49 °C).



Configuraciones de la temperatura:

1. 100 °F (38 °C)
2. 120 °F (49 °C)
3. 140 °F (60 °C)

11. Instrucciones de mantenimiento



ADVERTENCIA:

ANTES DE REALIZAR EL MANTENIMIENTO, LA REPARACIÓN O LA LIMPIEZA DEL CALENTADOR DE AGUA, DESCONECTE EL CALENTADOR DE AGUA DEL TOMACORRIENTE.

LA VÁLVULA DE DESCARGA DE TEMPERATURA/PRESIÓN DEBE SER OPERADA MANUALMENTE POR LO MENOS UNA VEZ AL AÑO. SE DEBEN TOMAR PRECAUCIONES PARA ASEGURARSE DE LO SIGUIENTE:

1. NADIE DEBE ESTAR CERCA DE LA TUBERÍA DE DESCARGA DE LA VÁLVULA DE DESCARGA DE TEMPERATURA/PRESIÓN.
2. SE DEBE EVITAR QUE EL AGUA DESCARGADA CAUSE LESIONES FÍSICAS O DAÑOS MATERIALES. EL AGUA PUEDE SER EXTREMADAMENTE CALIENTE.

No intente reparar el calentador de agua.

Contáctese con su plomero o electricista para que haga el servicio técnico. Desenchufe la unidad cuando el suministro de agua esté apagado.

Antes de pedir el servicio técnico, asegúrese de lo siguiente:

1. El calentador de agua debe ser llenado apropiadamente.
2. La conexión eléctrica no debe interrumpirse.

Aproximadamente cada dos años, se recomienda eliminar el sarro del elemento calefactor y revisar el estado del ánodo de magnesio. Este ánodo deberá reemplazarse si el diámetro es menor de 0.32" (8 mm). (Vea cómo cambiar el ánodo).

La válvula de descarga de temperatura/presión debe ser operada manualmente por lo menos una vez al año. Se deben tomar precauciones para asegurarse de lo siguiente:

1. Nadie debe estar cerca de la tubería de descarga de la válvula de descarga de temperatura/presión.
2. Se debe evitar que el agua descargada cause lesiones físicas o daños materiales. El agua puede ser extremadamente caliente.

Después de operar la válvula manualmente, si esta no se reconfigura por completo y continúa despidiendo agua, cierre inmediatamente la entrada de agua fría que va al calentador. Reemplace la válvula de temperatura/presión por una nueva.

Si la válvula de descarga de temperatura/presión no es instalada ni mantenida en correcto funcionamiento, ni con la configuración apropiada, se deslindará de toda responsabilidad al fabricante y al distribuidor ante cualquier demanda o reclamo por temperatura o presión excesivas.

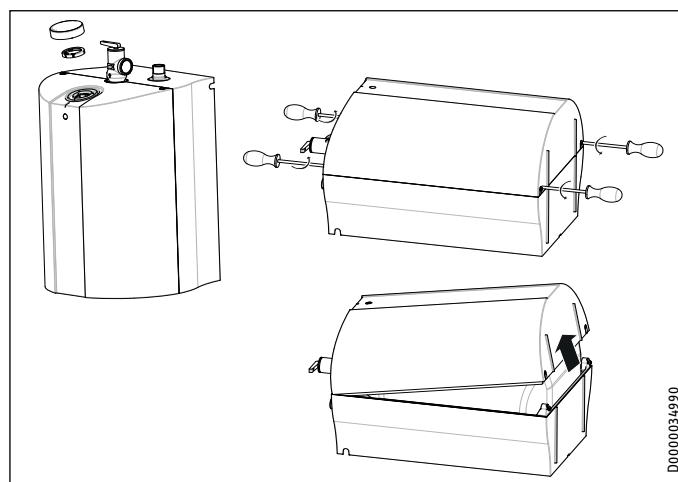
Cómo vaciar el calentador de agua

Algunas tareas de mantenimiento o reparación requieren vaciar el calentador de agua. Esto debe realizarse de la siguiente manera:

1. Desconecte el calentador de agua.
2. Abra la llave de agua caliente para dejar salir el agua caliente. Deje correr el agua hasta que salga agua fría de la llave.
3. Apague el suministro de agua fría que va al calentador.
4. Cierre la llave de agua caliente.
5. Desconecte el calentador de las tuberías de agua fría y agua caliente.
6. Separe con cuidado el calentador de agua de la pared.
7. Inclíne el calentador de agua para vaciar totalmente el agua restante.

Cómo remover la cubierta

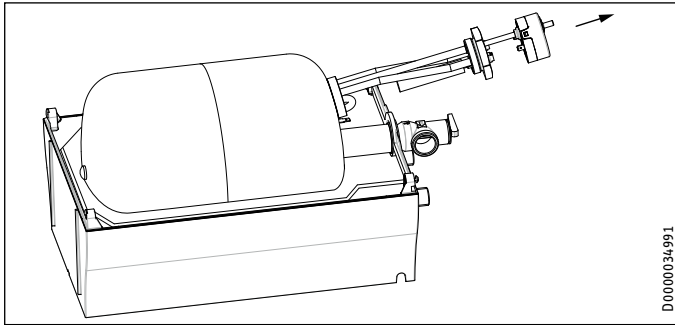
1. Remueva la perilla de control de temperatura del frente de la unidad.
2. Remueva los tornillos de la cubierta.
3. Para remover la cubierta, levante la parte de atrás y jale hacia adelante. La cubierta debería salir de inmediato.



Cómo remover el elemento calefactor

1. Desenchufe y vacíe el calentador de agua (vea las instrucciones sobre cómo vaciar el calentador).
2. Remueva la cubierta (vea las instrucciones sobre cómo remover la cubierta).
3. Remueva el termostato del elemento calefactor.

4. Remueva la parte superior de la tubería del elemento calefactor.
5. Con una llave apropiada, desatornille el elemento calefactor.
6. Remueva el elemento calefactor del tanque.



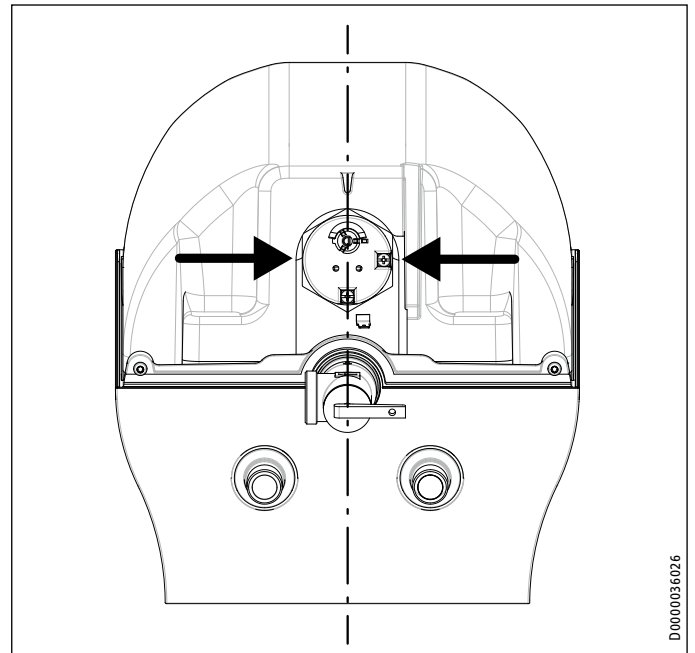
Cómo remover el sarro del elemento calefactor

Los depósitos de sarro pueden afectar la capacidad calefactora del elemento calefactor. El sarro también puede hacer que el elemento calefactor se consuma. A este elemento se le puede remover el sarro químicamente o manualmente.

1. Remueva el elemento calefactor (vea “Cómo remover el elemento calefactor”).
2. Para remover el sarro químicamente, remoje el elemento calefactor en vinagre blanco o en cualquier otra solución para remover el sarro. Luego, enjuague bien.
3. Para remover el sarro manualmente, utilice un instrumento no metálico (blando); quite la capa de sarro del elemento con un cepillo. Asegúrese de no dañar la superficie del elemento calefactor.
4. Vuelva a instalar el elemento calefactor.
5. Vuelva a llenar el tanque antes de encender el calentador de agua.

Cómo reemplazar el elemento calefactor

1. Desenchufe y vacíe el calentador de agua (vea las instrucciones sobre cómo vaciar el calentador).
2. Remueva la cubierta (vea las instrucciones sobre cómo remover la cubierta).
3. Remueva el elemento calefactor (vea las instrucciones sobre cómo remover el elemento calefactor).
4. Instale y selle el elemento nuevo. Asegúrese de que el elemento calefactor esté ubicado correctamente.
5. Vuelva a montar todos los cables en su posición original.

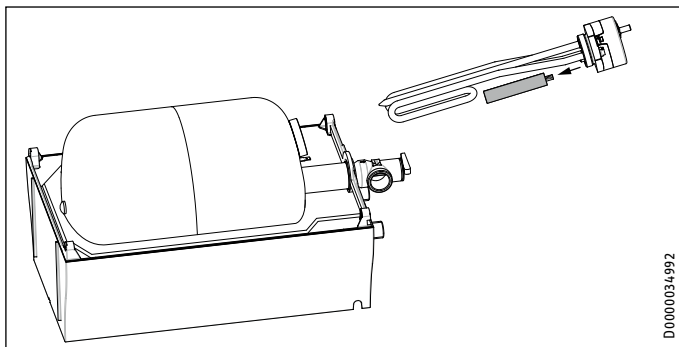


Cómo cambiar el ánodo

El ánodo de magnesio se utiliza para extender la vida útil del tanque. Si se remueve este ánodo de manera permanente por cualquier motivo, la garantía quedará nula.

Según las condiciones, el ánodo de magnesio tal vez necesite ser cambiado cada año o período aproximado. La corrosión galvánica o electrolítica puede destruir un tanque que tenga un ánodo gastado. Generalmente, el agua oxidada es señal de un ánodo gastado.

1. Desenchufe y vacíe el calentador de agua (vea las instrucciones sobre cómo vaciar el calentador).
2. Remueva la cubierta (vea las instrucciones sobre cómo remover la cubierta).
3. Remueva el elemento calefactor (vea las instrucciones sobre cómo remover el elemento calefactor).
4. Para remover el ánodo del recipiente desmontado del elemento calefactor, desatornillelo.
5. Coloque un nuevo ánodo en el recipiente del elemento calefactor.
6. Vuelva a colocar todos los cables y el elemento calefactor.
7. Vuelva a llenar con agua el calentador de agua y verifique que no haya pérdidas de agua antes de encenderlo.



Apagado de seguridad



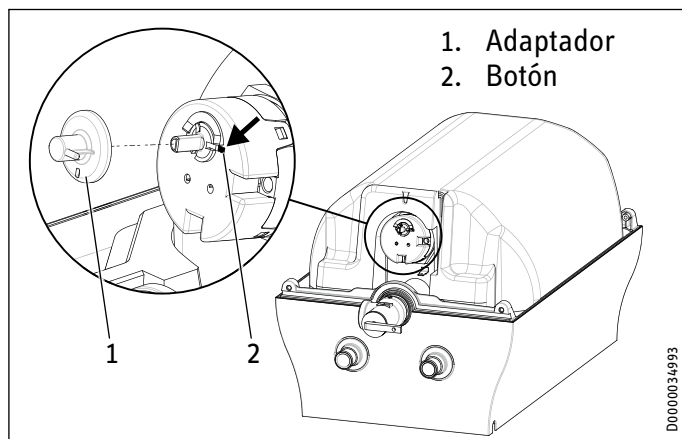
ADVERTENCIA:
NUNCA BLOQUEE EL ÉMBOLO DE CONFIGURACIÓN DESLIZANTE.

PELIGRO:
LAS TEMPERATURAS DE AGUA SUPERIORES A LOS 125 °F (52 °C) PUEDEN PROVOCAR GRAVES QUEMADURAS INSTANTÁNEAS O LA MUERTE POR QUEMADURAS. NO INTENTE RECONFIGURAR EL INTERRUPTOR DE LÍMITE ALTO SIN HABER ENFRIADO PRIMERO EL AGUA QUE ESTÁ EN EL CALENTADOR DE AGUA.

Cómo reconfigurar el sistema de apagado de alta temperatura

1. Desenchufe el calentador de agua.
2. Remueva la cubierta (vea las instrucciones sobre cómo remover la cubierta).
3. Remueva el adaptador del rodillo del controlador.
4. Presione el botón con una herramienta apropiada.
5. Reemplace el adaptador en la posición correcta.
6. Reemplace la cubierta del calentador y fíjela bien.
7. Reemplace la perilla de control del termostato.

Durante el proceso de calentamiento del agua, el volumen y la presión del agua aumentan en el tanque. Es posible que salga agua de la válvula de seguridad; es algo normal.



12. Garantía

Stiebel Eltron garantiza al propietario original que el calentador de agua SHC 2.5 está libre de defectos en trabajo de mano de obra y materiales. Se garantiza el tanque contra pérdidas de agua por un período de seis (6) años desde la fecha de compra. Todos los demás componentes tienen garantía por un período de dos (2) años.

Si se prueba que la(s) parte(s) es/son defectuosa(s) en condiciones normales de uso durante este período, Stiebel Eltron, Inc. asumirá la responsabilidad de reponer únicamente la(s) parte(s) defectuosa(s). Stiebel Eltron, Inc. no se responsabilizará por los gastos de transporte, remoción o reinstalación, ni por cualquier otro trabajo o gasto que pueda surgir en relación con un reclamo por un artículo en garantía o en relación con gastos incidentales o consiguientes.

Esta garantía no se aplica:

1. si el calentador de agua no ha sido instalado, operado o mantenido según las instrucciones escritas del fabricante.
2. si el calentador de agua no ha sido instalado según los códigos de plomería y edificación locales/del estado aplicables.
3. si al calentador de agua no se le ha provisto continuamente de agua, definido también como “encender en seco”.
4. si el calentador de agua ha sido alterado de alguna manera o instalado por personal no calificado.
5. a condiciones resultantes del uso incorrecto, abuso, negligencia, accidente o alteración a una presión excesiva.
6. a condiciones resultantes de inundaciones, terremotos, vientos, incendios, rayos o circunstancias que van más allá del control del fabricante.
7. a daños por agua que son resultado directo o indirecto de cualquier defecto del calentador de agua o de sus componentes.

Para recibir servicio técnico bajo esta garantía, el propietario deberá primeramente conseguir una autorización escrita de Stiebel Eltron, Inc. Se le solicitará al propietario que muestre evidencia de la fecha de compra y que se encargue de los gastos de transporte de regreso de la(s) parte(s) defectuosa(s) para reparar o reemplazar.

STIEBEL ELTRON, Inc. | 17 West Street | West Hatfield, MA 01088, USA
PHONE: 800.582.8423 or 413.247.3380
FAX: 413.247.3369
Email: info@stiebel-eltron-usa.com
www.stiebel-eltron-usa.com

1.	Généralités	21
2.	Mesures de précaution relatives à la sécurité	22
3.	Description	23
4.	Description technique	23
5.	Données techniques	23
6.	Recommandations générales	24
7.	Fixation de l'appareil	24
8.	Branchements de plomberie	25
9.	Configuration électrique	26
10.	Réglages	26
11.	Instructions relatives à l'entretien	27
12.	Garantie	30

DIRECTIVES IMPORTANTES RELATIVES À LA SÉCURITÉ



AVERTISSEMENT :
POUR RÉDUIRE LE RISQUE D'INCENDIE, DE CHOC ÉLECTRIQUE OU DE BLESSURES, LORSQUE VOUS UTILISEZ DES APPAREILS ÉLECTRIQUES RESPECTEZ LES DIRECTIVES RELATIVES À LA SÉCURITÉ :

1. LIRE TOUTES LES INSTRUCTIONS AVANT D'UTILISER CE CHAUFFE-EAU.
2. Ce chauffe-eau doit être mis à la terre. Ne connectez qu'à une prise correctement mise à la terre! Voir la section sur les « DIRECTIVES RELATIVES À LA MISE À LA TERRE » dans le chapitre intitulé « CONFIGURATION ÉLECTRIQUE ».
3. Installez ou placez ce chauffe-eau strictement en conformité avec les instructions d'installation ci-jointes.
4. N'utilisez ce chauffe-eau qu'aux fins décrites dans ce manuel.
5. N'utilisez pas de rallonge pour ce chauffe-eau. Si aucune prise n'est disponible à proximité du chauffe-eau, demandez à un électricien agréé d'en installer une correctement.
6. Il faut, comme pour tout appareil ménager, surveiller étroitement les enfants lorsqu'ils l'utilisent.
7. N'utilisez pas ce chauffe-eau si le câble ou la prise sont endommagés, s'il ne fonctionne pas correctement ou s'il a été endommagé ou laissé tomber.
8. Ne confiez l'entretien de cet appareil qu'à des prestataires d'entretien agréés. Adressez-vous à l'agence d'entretien agréée la plus proche pour les opérations d'inspection, de réparation ou de réglage.

CONSERVER CES INSTRUCTIONS

1. Généralités



ATTENTION :
POUR RÉDUIRE LE RISQUE DE PRESSIONS ET DE TEMPÉRATURES EXCESSIVES DANS CE CHAUFFE-EAU, INSTALLEZ LES DISPOSITIFS DE PROTECTION POUR LES TEMPÉRATURES ET LA PRESSION STIPULÉS DANS LES CODES LOCAUX, AVEC AU MOINS UNE SOUPE DE DÉCHARGE DE TEMPÉRATURE ET DE PRESSION COMBINÉE CERTIFIÉE PAR UN LABORATOIRE D'ESSAIS AGRÉÉ AU NIVEAU NATIONAL QUI INSPECTE RÉGULIÈREMENT LES ÉQUIPEMENTS OU MATÉRIAUX RÉPERTORIÉS, ET SATISFAISANT AUX EXIGENCES RELATIVES AUX SOUPES DE DÉCHARGE ET AUX DISPOSITIFS DE COUPURE AUTOMATIQUE DU GAZ POUR LES SYSTÈMES D'ALIMENTATION EN EAU CHAUDE DE LA NORME ANSI Z21.22. CETTE SOUPE DOIT ÊTRE MARQUÉE AVEC UNE PRESSION PRÉRÉGLÉE MAXIMALE NE DEVANT PAS DÉPASSER LA PRESSION D'EXPLOITATION MAXIMALE DU CHAUFFE-EAU. INSTALLEZ LA SOUPE SUR L'OUVERTURE INDIQUÉE À CET EFFET DANS LE CHAUFFE-EAU ET DIRIGEZ-LA OU POSEZ UNE CANALISATION DE SORTE QUE TOUT ÉCOULEMENT SE FERA ÉGALEMENT DANS LES 152 MM AU-DESSUS, ET À N'IMPORTE QUELLE DISTANCE AU-DESSOUS, DU PLANCHER STRUCTURAL ET QU'ELLE NE POURRA PAS ENTRER EN CONTACT AVEC DES PIÈCES ÉLECTRIQUES SOUS TENSION. L'OUVERTURE DE L'ÉCOULEMENT NE PEUT ÊTRE BLOQUÉE NI RÉTRÉCIE POUR QUELLE RAISON QUE CE SOIT.

Veuillez lire ce manuel dans son intégralité. Le non-respect des directives contenues dans les guides, les directives et les règlements pourrait entraîner des dégâts matériels ou des blessures. Des installations, réglages, modifications, entretiens et utilisations non conformes de cet appareil pourraient provoquer des blessures graves.

Cet appareil doit être installé par un électricien et un plombier agréés. L'installation doit se faire conformément aux codes de l'électricité et de la plomberie en vigueur au niveau national, provincial et local. Il incombe à l'installateur d'installer correctement cet appareil. Le non-respect des directives d'installation et du mode d'emploi, ou une utilisation incorrecte aura pour effet d'annuler la garantie.

Mesures de précaution relatives à la sécurité

Conserver ces instructions pour consultation ultérieure. L'installateur doit laisser ces instructions au consommateur.

Pour toute question relative à l'installation, l'utilisation ou le fonctionnement de ce chauffe-eau, ou si vous avez besoin de manuels d'installation supplémentaires, veuillez vous adresser à notre service technique en composant le (800) 582-8423 (Canada et États-Unis uniquement). Si vous appelez depuis un pays autre que le Canada ou les États-Unis, veuillez composer le 413-247-3380 aux États-Unis et nous vous mettrons en contact avec un centre d'entretien Stiebel Eltron agréé situé dans votre région.

1. Ne mettez pas le chauffe-eau là où les canalisations d'eau pourraient être soumises à des températures au-dessous de zéro.
2. Il est conseillé d'avoir un drain au plancher à proximité pour vidanger facilement l'appareil en cas de nécessité.
3. Installez le chauffe-eau de sorte qu'en cas de fuite, l'eau qui s'échapperait de l'appareil ne pourrait pas endommager ce qui se trouve autour du chauffe-eau. Le fabricant ne saurait, en aucun cas, être tenu responsable pour tout dégât causé par l'eau provoqué par ce chauffe-eau.
4. Lorsque vous installez le chauffe-eau, veillez à ce qu'il y ait suffisamment de dégagement autour de l'appareil pour faciliter l'entretien et les réparations.



SYMBOLE D'ALERTE À LA SÉCURITÉ.
IL SERT À VOUS AVERTIR QU'IL EXISTE UN DANGER DE BLESSURE POTENTIEL. RESPECTEZ TOUS LES MESSAGES RELATIFS À LA SÉCURITÉ MENTIONNÉS APRÈS CE SYMBOLE POUR ÉVITER LA POSSIBILITÉ DE BLESSURE, VOIRE DE DÉCÈS.

2. Mesures de précaution relatives à la sécurité



VEUILLEZ LIRE ET RESPECTER CES INSTRUCTIONS.

LE NON-RESPECT DE CES INSTRUCTIONS POURRAIT ENTRAÎNER DES BLESSURES GRAVES, VOIRE MORTELLES.

CET APPAREIL DOIT ÊTRE INSTALLÉ PAR UN PLOMBIER AGRÉÉ. L'INSTALLATION DOIT SE FAIRE CONFORMÉMENT AUX CODES DE L'ÉLECTRICITÉ ET DE LA PLOMBERIE EN VIGUEUR AU NIVEAU NATIONAL, PROVINCIAL ET LOCAL.

CONFIEZ L'ENTRETIEN DE CET APPAREIL À UN CENTRE D'ENTRETIEN AGRÉÉ.

AVANT DE PROCÉDER À TOUTE OPÉRATION D'INSTALLATION, DE RÉGLAGE, DE MODIFICATION OU D'ENTRETIEN DE CET APPAREIL, DÉBRANCHEZ LE CÂBLE D'ALIMENTATION. LE NON-RESPECT DE CETTE DIRECTIVE POURRAIT ENTRAÎNER DES BLESSURES GRAVES, VOIRE MORTELLES.

NE RETIREZ JAMAIS LE COUVERCLE DE L'APPAREIL À MOINS D'AVOIR COUPÉ L'ALIMENTATION ÉLECTRIQUE DE L'APPAREIL. LE NON-RESPECT DE CETTE DIRECTIVE POURRAIT ENTRAÎNER DES BLESSURES GRAVES, VOIRE MORTELLES.

NE RANGEZ, NI N'UTILISEZ PAS DE L'ESSENCE OU D'AUTRES VAPEURS OU LIQUIDES INFLAMMABLES À PROXIMITÉ DE CET APPAREIL OU DE TOUT AUTRE APPAREIL.



DANGER :
LES TEMPÉRATURES DE L'EAU SUPÉRIEURES À 52 °C (125 °F) PEUVENT PROVOQUER DES BRÛLURES GRAVES INSTANTANÉES, VOIRE MORTELLES EN CAS D'ÉBOUILLANTAGE. LE RISQUE D'ÉBOUILLANTAGE PAR L'EAU TRÈS CHAUDE EXISTE SI LE THERMOSTAT DE L'APPAREIL EST RÉGLÉ À UNE TEMPÉRATURE TROP ÉLEVÉE. DANS LE CAS DE RÉSIDENCES AVEC DE JEUNES ENFANTS, DES PERSONNES HANDICAPÉES OU ÂGÉES, IL EST FORTEMENT CONSEILLÉ DE RÉGLER LE THERMOSTAT À 49 °C (120 °F) OU MOINS POUR ÉVITER LA POSSIBILITÉ DE BLESSURES PROVOQUÉES PAR L'EAU TRÈS CHAUDE.

**AVERTISSEMENT :**

CE CHAUFFE-EAU DOIT ÊTRE INSTALLÉ STRICTEMENT CONFORMÉMENT AUX INSTRUCTIONS CI-JOINTES ET AUX CODES ÉLECTRIQUES ET DE LA CONSTRUCTION LOCAUX. IL EST POSSIBLE QUE LES CONNEXIONS VERS LE CHAUFFE-EAU LUI-MÊME PRÉSENTENT DES FUITES. IL EST PAR CONSÉQUENT IMPÉRATIF QUE LE CHAUFFE-EAU SOIT INSTALLÉ DE SORTE QUE TOUTE FUITE D'EAU SERA DIRIGÉE VERS UN DRAIN ADÉQUAT POUR ÉVITER TOUT DOMMAGE AU BÂTIMENT, À L'AMEUBLEMENT, À LA MOQUETTE OU À TOUT AUTRE BIEN. NI LE FABRICANT, NI LE DISTRIBUTEUR NE PEUVENT ÊTRE TENUS RESPONSABLES POUR LES DÉGÂTS PROVOQUÉS PAR LES FUITES D'EAU PROVENANT DU CHAUFFE-EAU, LA SOUPAPE DE PRESSION OU LES RACCORDS CONNEXES SI UNE OPTION D'ÉCOULEMENT POUR L'EAU EN CAS DE FUITE N'A PAS ÉTÉ PRÉVUE.

**ATTENTION :**

POUR UN CHAUFFE-EAU DOTÉ D'UN DISPOSITIF DE PROTECTION CATHODIQUE OU UNE ANODE SOLUBLE, DES INSTRUCTIONS COMPRENANT LE TERME « ATTENTION » ET LES EXPLICATIONS SUIVANTES (OU L'ÉQUIVALENT) SERONT FOURNIES : « SI CE CHAUFFE-EAU ALIMENTANT UN SYSTÈME D'EAU CHAUDE N'A PAS SERVI PENDANT UNE PÉRIODE DE TEMPS ASSEZ LONGUE (EN PRINCIPE DEUX SEMAINES OU PLUS), IL EST POSSIBLE QU'ON NOTE UNE PRODUCTION DE GAZ HYDROGÈNE. » CELUI-CI EST EXTRÊMEMENT INFLAMMABLE.

POUR RÉDUIRE LE RISQUE DE BLESSURES DANS CE CAS-LÀ, IL EST CONSEILLÉ D'OUVRIER LE ROBINET D'EAU CHAUDE DE L'ÉVIER DE CUISINE PENDANT PLUSIEURS MINUTES AVANT D'UTILISER UN APPAREIL MÉNAGER ÉLECTRIQUE BRANCHÉ AU SYSTÈME D'EAU CHAUDE.

EN PRÉSENCE D'HYDROGÈNE, ON REMARQUERA UN BRUIT INHABITUEL RESSEMBLANT À DE L'AIR S'ÉCHAPPANT DE LA CANALISATION AU MOMENT OÙ L'EAU COMMENCE À COULER. IL NE FAUT NI FUMER, NI AVOIR UNE FLAMME NUE PRÈS DU ROBINET AU MOMENT OÙ ON L'OUVRE.”

3. Description

Ces chauffe-eau SHC peuvent être utilisés dans la plupart des utilisations de lavabos. Ils sont conçus pour fournir de l'eau chaude pour se laver les mains et pour les éviers de cuisine dans les résidences, les commerces ou en milieu industriel.

Ces chauffe-eau peuvent remplacer les systèmes de chauffe-eau traditionnels composés d'un chauffe-eau central avec des canalisations d'eau chaude allant vers plusieurs robinets.

Les chauffe-eau SHC sont légers et compacts et fabriqués de sorte à être installés facilement. Ces appareils sont conçus pour être fixés au mur. Ces appareils sont conçus pour fonctionner avec une pression d'eau normale.

4. Description technique

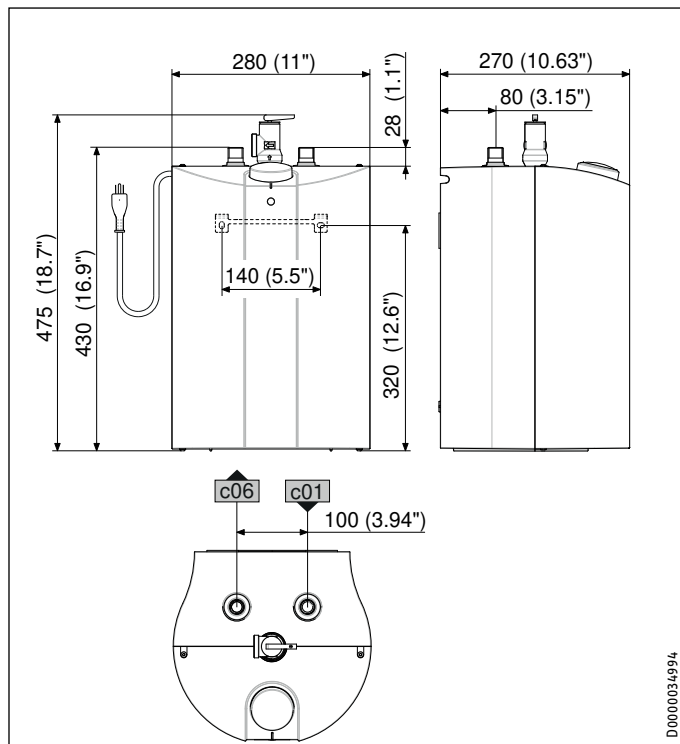
Le récipient à pression du chauffe-eau est en acier soudé vitrifié et doté d'une anode soluble. L'isolation thermique est en polystyrène.

Le chauffe-eau est doté d'un thermostat et d'un interrupteur de sécurité de limite supérieure de température. Une soupape de décharge de pression et de température est fournie avec l'appareil.

5. Données techniques

		SHC 2.5	
		233219	
Tension	V	110-120	
Puissance en Watts, max	W	1300	
Ampérage, max	A	11.3	
Phase		Monophasé, 1/N/PE	
Fréquence	Hz	50/60	
Type d'installation		Sous l'évier	
Matériau du cylindre interne		Acier	
Matériau de l'enveloppe		Plastique	
Matériau de l'isolation thermique		Polystyrène	
Couleur		blanc	
Volume d'eau nominal	Gal / l	2.65	10
Perte de chaleur latente	kWh / jour	0.5	
Temps de récupération	Minutes	18	
Plage des températures	°F / °C	86-140	30-60
Pression maximale de fonctionnement	lb/po ² / MPa	150	1.0
Poids (à vide)	lb / kg	15.9	7.2
Raccordements de l'eau		½ po filetage NPT	

Dimensions et connexions



		SHC 2.5
c01	Arrivée d'eau froide	1/2" NPT
c06	Sortie d'eau chaude	1/2" NPT

6. Recommandations générales

Cet appareil doit être installé par des professionnels agréés. Il est impératif de respecter tous les codes locaux et provinciaux en vigueur.

Le fabricant rejette toute responsabilité pour tout dommage causé par le non-respect de ces instructions d'installation ou par une mauvaise installation exécutée par un installateur non agréé.

Choisissez un emplacement qui permette d'accéder facilement à l'appareil pour l'entretien et les réparations. Le chauffe-eau doit être installé à au moins 203 à 228 mm du plafond ou des murs adjacents.

7. Fixation de l'appareil



AVIS :
L'APPAREIL DOIT ÊTRE INSTALLÉ VERTICALEMENT AVEC LES RACCORDEMENTS D'EAU DIRIGÉS VERS LE HAUT.

AVERTISSEMENT :
N'INSTALLEZ PAS L'APPAREIL À UN ENDROIT OÙ IL POURRAIT ÊTRE ÉCLABOUSSÉ RÉGULIÈREMENT PAR DE L'EAU. CELA POURRAIT ENTRAÎNER UN CHOC ÉLECTRIQUE.

ATTENTION :
LES CANALISATIONS D'ÉCOULEMENT D'EAU CHAUDE QUITTANT L'APPAREIL PEUVENT ÊTRE CHAUDES AU TOUCHER. IL FAUT ISOLER LES CANALISATIONS D'ÉCOULEMENT D'EAU CHAUDES SITUÉES À MOINS DE 91 CM (36 PO) À CAUSE DU RISQUE DE BRÛLURES EN COURU PAR LES ENFANTS.



AVIS :
CET APPAREIL NE DOIT PAS ÊTRE INSTALLÉ À UN ENDROIT SUSCEPTIBLE D'ÊTRE EXPOSÉ AU GEL (TEMPÉRATURES INFÉRIEURES À 2 °C [36 °F]). SI L'APPAREIL RISQUE D'ÊTRE EXPOSÉ AU GEL, IL FAUT PURGER TOUTE L'EAU DE L'APPAREIL. LE NON-RESPECT DE CETTE DIRECTIVE ANNULE TOUTES LES GARANTIES.

L'APPAREIL DOIT ÊTRE SITUÉ DANS UN ENDROIT OÙ LES FUITES D'EAU PROVENANT DE L'APPAREIL OU DES CONNEXIONS NE RISQUENT PAS D'ENTRAÎNER DES DOMMAGES À SON ENVIRONNEMENT IMMÉDIAT. SI L'INSTALLATION NE PEUT AVOIR LIEU AILLEURS, IL EST CONSEILLÉ D'INSTALLER UN BAC DE RÉCUPÉRATION SOUS L'APPAREIL.

1. Percez deux (2) trous de 6 mm (1/4 po) dans le trou là où le chauffe-eau sera fixé.
2. Enfoncez les ancrages muraux en plastique.
3. Fixez le support mural au mur.
4. Accrochez le chauffe-eau au support mural.
5. Tirez le chauffe-eau vers le bas afin de bien l'asseoir sur le support.

8. Branchements de plomberie

**IMPORTANT :**

SI LES CANALISATIONS D'EAU SONT EN CUIVRE OU EN BRONZE, UTILISEZ LES RACCORDEMENTS DIÉLECTRIQUES POUR ÉVITER LA CORROSION DU CHAUFFE-EAU. SI AUCUNE ISOLATION DIÉLECTRIQUE N'EST FOURNIE, CELA POURRAIT ENTRAÎNER UNE DÉFAILLANCE PRÉMATURÉE DU RÉSERVOIR OU DU MAMELON ET ANNULER VOTRE GARANTIE.

**AVIS :**

L'EAU DURE OU L'EAU AVEC UNE TENEUR ÉLEVÉE EN MINÉRAUX PEUT ENDOMMAGER L'APPAREIL. LES DÉGÂTS CAUSÉS PAR LE TARTRE OU UNE TENEUR ÉLEVÉE EN MINÉRAUX NE SONT PAS COUVERTS PAS LA GARANTIE.

ATTENTION :

POUR RÉDUIRE LE RISQUE DE PRESSON OU DE TEMPÉRATURES EXCESSIVES DANS LE CHAUFFE-EAU, UNE SOUPAPE DE DÉCHARGE DE PRESSON ET DE TEMPÉRATURE (P & T) A ÉTÉ FOURNIE ET DOIT ÊTRE INSTALLÉE.

ATTENTION :

NE JAMAIS BRANCHER LE CÂBLE DU CHAUFFE-EAU DANS UNE PRISE ÉLECTRIQUE AVANT QU'IL SOIT PLEIN D'EAU. SINON, L'APPAREIL POURRAIT ÊTRE ENDOMMAGÉ SANS OPTION DE RÉPARATION.

**AVIS :**

LORSQU'UN CHAUFFE-EAU EST INSTALLÉ DANS UN SYSTÈME D'ALIMENTATION D'EAU FERMÉ, COMME DANS LE CAS OÙ UN CLAPET ANTI-RETOUR SUR LA CANALISATION D'EAU FROIDE EST INTÉGRÉ, IL FAUT PRÉVOIR UN DISPOSITIF POUR CONTRÔLER LA DILATATION THERMIQUE. CONTACTEZ LA SOCIÉTÉ DES EAUX OU L'INSPECTEUR EN PLOMBERIE MUNICIPAL POUR PLUS DE DÉTAILS SUR LA MANIÈRE DE CONTRÔLER CETTE SITUATION.

Branchez la canalisation d'eau froide au raccordement d'eau froide de l'appareil (bleu). Branchez la canalisation d'eau chaude au raccordement d'eau chaude de l'appareil (rouge).

Veillez à ce que le chauffe-eau soit installé de niveau.

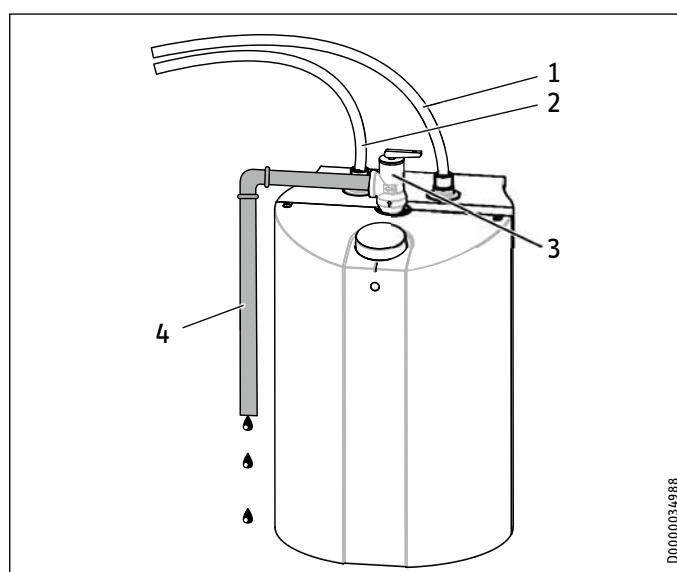
Installez la vanne d'isolement sur l'alimentation d'eau froide du chauffe-eau. Il s'agit d'une vanne d'isolement

d'urgence. Elle doit rester ouverte lorsque le chauffe-eau fonctionne.

Lorsque vous utilisez des canalisations en cuivre, soudez un morceau de canalisation sur un raccord fileté (union) avant de visser l'adaptateur au réservoir.

LES CONNECTEURS POUR TUYAUX FLEXIBLES TRESSÉS SONT ÉGALEMENT CONSEILLÉS.

N'APPLIQUEZ PAS DE CHALEUR DIRECTEMENT AU NIVEAU DES CONNEXIONS D'ARRIVÉE OU DE SORTIE.



1. Arrivée d'eau froide
2. Sortie d'eau chaude
3. Soupape de décharge de pression et de température
4. Conduite d'évacuation

Installez une conduite d'évacuation depuis la soupape de décharge jusqu'à un évier ou un drain.

NE BOUCHEZ PAS, NI NE FILETEZ PAS L'EXTRÉMITÉ DE LA CONDUITE D'ÉVACUATION; ELLE DOIT RESTER OUVERTE ET CONSERVER SON DIAMÈTRE INITIAL.

La soupape P & T est certifiée par un laboratoire d'essais de réputation nationale qui inspecte régulièrement les équipements répertoriés. Elle satisfait aux exigences relatives aux soupapes de décharge et aux dispositifs d'isolement automatique pour les systèmes d'alimentation en eau chaude de la norme ANSI 121.22.0979.

La pression maximale est inscrite sur la soupape P & T et elle ne doit pas dépasser la pression de fonctionnement maximale du chauffe-eau (150 lb/po²).

Installez la soupape P & T sur l'ouverture filetée et dirigez la canalisation de sorte que l'écoulement se fera également dans les 152 mm au-dessus et à n'importe quelle distance au-dessous du plancher structural et qu'elle ne pourra pas entrer en contact avec des pièces électriques sous tension.

OPERATION | INSTALLATION

Configuration électrique

LA CONDUITE D'ÉVACUATION

1. Ne doit pas être de plus petite taille que la conduite de sortie de la soupape, ni posséder des raccords réducteurs.
2. Ne doit être ni bouchée, ni bloquée.
3. Doit être en matériau compatible avec l'eau chaude.
4. Ne doit pas dépasser 4,6 m (15 pi) de long.
5. Ne doit pas présenter plus de deux coudes.
6. Doit arriver dans un drain adéquat.
7. Ne doit pas avoir une soupape entre la soupape de décharge et le réservoir.

REPLISSAGE DU CHAUFFE-EAU

Pour remplir le chauffe-eau :

1. Ouvrez le robinet d'eau chaude.
2. Ouvrez le robinet d'alimentation en eau froide.
3. Lorsque l'eau commence à s'écouler du robinet d'eau chaude, cela implique que le réservoir est rempli.
4. Fermez le robinet d'eau chaude.
5. Vérifiez que le système n'a aucune fuite.

9. Configuration électrique



ATTENTION :

NE JAMAIS BRANCHER LE CÂBLE DU CHAUFFE-EAU DANS UNE PRISE ÉLECTRIQUE AVANT QU'IL SOIT PLEIN D'EAU. SINON, L'APPAREIL POURRAIT ÊTRE ENDOMMAGÉ SANS OPTION DE RÉPARATION

AVIS :

LE CHAUFFE-EAU DOIT ÊTRE CONNECTÉ À UNE PRISE AVEC MISE À LA TERRE.

CE CHAUFFE-EAU A ÉTÉ CONÇU POUR FONCTIONNER SOUS DU 110 - 120 V. N'UTILISEZ PAS CE CHAUFFE-EAU SOUS UNE AUTRE TENSION. LE NON-RESPECT DE CETTE DIRECTIVE PEUT ENTRAÎNER DES BLESSURES ET DES DÉGÂTS MATÉRIELLS.

LE CHAUFFE-EAU EST FOURNI AVEC UN CÂBLE ÉLECTRIQUE AVEC FICHE. SI LE CÂBLE EST ENDOMMAGÉ OU TROP COURT, IL FAUT QU'IL SOIT REMPLACÉ PAR UN ÉLECTRICIEN AGRÉÉ.

Veillez à ce que tout l'air soit purgé du système, ouvrez le robinet d'eau chaude de vos lavabos jusqu'à ce que l'eau s'écoule régulièrement de tous les robinets. Si ce n'était pas le cas, votre élément pourrait être endommagé.

Le chauffe-eau doit être connecté à UNE PRISE AVEC MISE À LA TERRE.

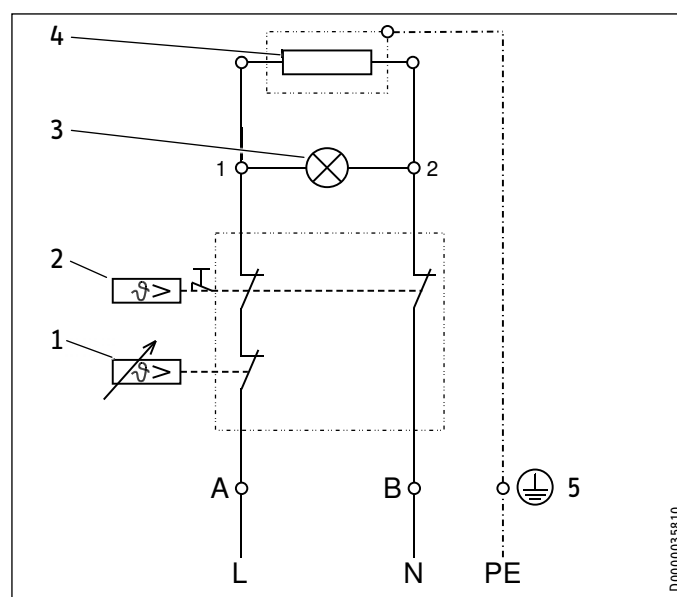
L'appareil est doté d'un câble pour brancher le chauffe-eau à une prise électrique. Il est impératif de respecter tous les codes locaux et provinciaux en vigueur. Installez le disjoncteur correct dans le panneau du disjoncteur.

Le chauffe-eau a été fabriqué et câblé conformément aux exigences des normes UL.

Une limite supérieure de température avec ré-enclenchement manuel a été installée en usine pour interrompre l'alimentation électrique en cas de défaillance du thermostat.

N'UTILISEZ PAS ce chauffe-eau sous une autre tension. Le non-respect de cette directive peut entraîner des blessures et des dégâts matériels.

DIAGRAMME ÉLECTRIQUE



1. Thermostat
2. Coupure
3. Témoin lumineux
4. Élément chauffant
5. Réservoir

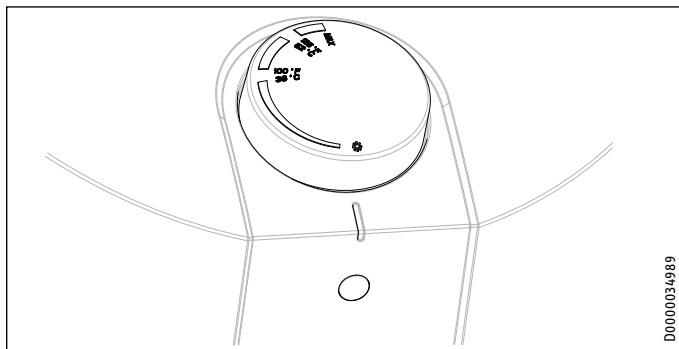
10. Réglages

Le chauffe-eau est doté d'un thermostat réglable qui permet de contrôler automatiquement la température de l'eau. Le témoin reste allumé lorsque l'eau est en train d'être chauffée.

La température est réglée en tournant le bouton dans le sens antihoraire (vers la gauche) pour augmenter la température et dans le sens horaire (vers la droite) pour la réduire.

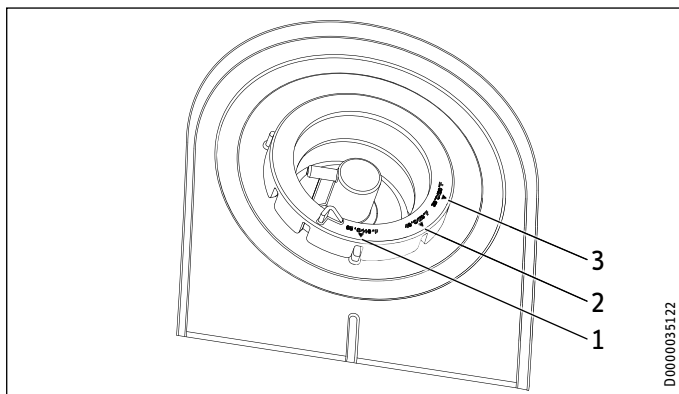
Le thermostat du chauffe-eau peut être programmé pour empêcher que l'eau ne gèle. Cette position maintient la température interne au-dessus de zéro.

Réglage pour la protection contre le gel



Réglage de la température

Le thermostat du chauffe-eau est réglé en usine pour atteindre 120 °F (49 °C).



Réglages de la température :

1. 100 °F (38 °C)
2. 120 °F (49 °C)
3. 140 °F (60 °C)

11. Instructions relatives à l'entretien



AVERTISSEMENT :

AVANT TOUTE OPÉRATION DE RÉPARATION OU DE NETTOYAGE DU CHAUFFE-EAU, DÉBRANCHEZ LE CHAUFFE-EAU DE LA PRISE ÉLECTRIQUE.

LA SOUPAPE DE DÉCHARGE DE PRESSIION ET DE TEMPÉRATURE DOIT ÊTRE UTILISÉE MANUELLEMENT AU MOINS UNE FOIS PAR AN. IL FAUT FAIRE ATTENTION QUE :

1. PERSONNE NE SE TROUVE PRÈS DE LA CANALISATION D'ÉVACUATION DE LA SOUPAPE DE DÉCHARGE DE PRESSIION ET DE TEMPÉRATURE.
2. L'EAU QUI S'ÉCOULE N'ENTRAÎNERA AUCUNE BLESSURE NI DÉGÂT MATÉRIEL. L'EAU PEUT ÊTRE TRÈS CHAUDE.

N'essayez jamais de réparer le chauffe-eau.

Faites appel à un plombier ou à un électricien agréés pour les réparations. Débranchez l'appareil lorsque l'alimentation en eau est coupée.

Avant d'appeler un réparateur, veillez à ce que :

1. Le chauffe-eau soit bien rempli.
2. L'alimentation électrique n'a pas été coupée.

Il est conseillé de détartrer l'élément chauffant tous les deux ans environ et de vérifier l'état de l'anode au magnésium et de la remplacer si son diamètre est inférieur à 8 mm (0,32 po). (Voir la section sur le remplacement de l'anode).

La soupape de décharge de pression et de température doit être utilisée manuellement au moins une fois par an. Il faut faire attention que :

1. Personne ne se trouve près de la canalisation d'évacuation de la soupape de décharge de pression et de température.
2. L'eau qui s'écoule n'entraînera aucune blessure ni dégât matériel. L'eau peut être très chaude.

Si, après avoir été manipulée, la soupape ne se réenclenche pas et l'eau continue à couler, fermez immédiatement l'arrivée d'eau froide du chauffe-eau. Remplacez la soupape de décharge de pression et de température par une nouvelle soupape.

Le fait de ne pas installer et maintenir en bon état une soupape de décharge de pression et de température dégage le fabricant et le distributeur de ce chauffe-eau de toute réclamation qui pourrait survenir à la suite d'une température ou d'une pression excessives.

Instructions relatives à l'entretien

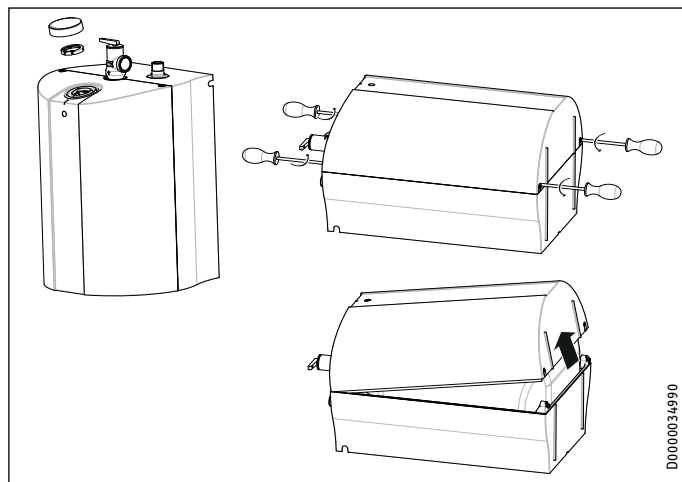
Vidange du chauffe-eau

Pour effectuer certains travaux de réparation, il faut vider le chauffe-eau. Pour cela, procédez comme suit :

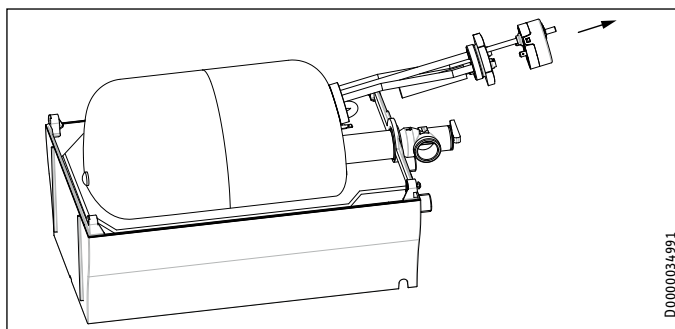
1. Débranchez le chauffe-eau.
2. Ouvrez le robinet d'eau chaude pour faire sortir toute l'eau chaude. Laissez-la couler jusqu'à ce que de l'eau froide sorte du robinet.
3. Coupez l'alimentation en eau froide vers le chauffe-eau.
4. Fermez le robinet d'eau chaude.
5. Déconnectez le chauffe-eau des canalisations d'eau chaude et d'eau froide.
6. Détachez le chauffe-eau du mur en faisant bien attention.
7. Inclinez le chauffe-eau pour faire sortir l'eau qui resterait.

Retrait du couvercle

1. Retirez le bouton de contrôle de la température à l'avant de l'appareil.
2. Retirez les vis du couvercle.
3. Retirez le couvercle en le soulevant l'arrière et en tirant vers l'avant. Le couvercle devrait sortir facilement.

**Retrait de l'élément chauffant**

1. Débranchez et vidangez le chauffe-eau (voir les instructions relatives à la vidange).
2. Retirez le couvercle (voir les instructions relatives au retrait du couvercle).
3. Retirez le thermostat de l'élément chauffant.
4. Retirez le raccordement sur la conduite de l'élément chauffant.
5. Dévissez, à l'aide d'une clé appropriée, l'élément chauffant.
6. Retirez l'élément chauffant du réservoir.

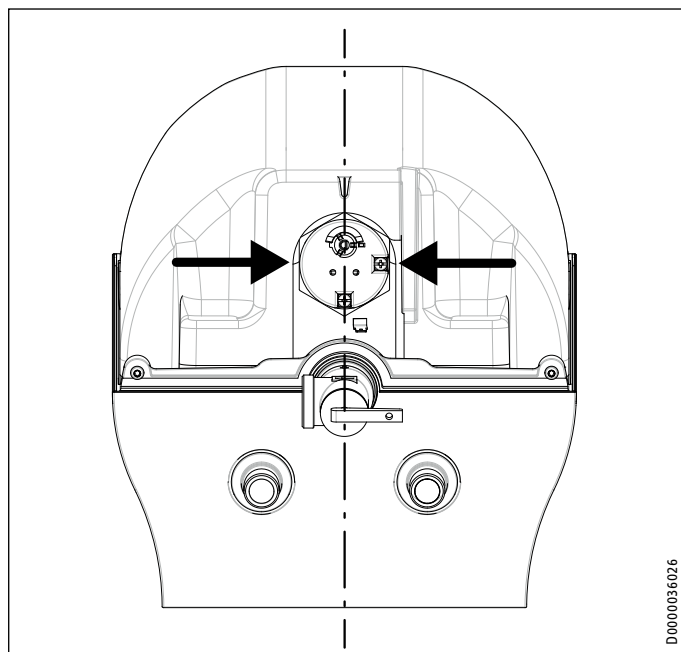
**Détartrage de l'élément chauffant**

Le tartre accumulé peut nuire à la capacité de chauffage de l'élément chauffant. Le tartre peut même entraîner la défaillance permanente de l'élément. L'élément peut être détartré chimiquement ou manuellement.

1. Retirez l'élément chauffant (voir « Retrait de l'élément chauffant »).
2. Pour détartrer chimiquement, trempez l'élément chauffant dans du vinaigre blanc ou toute autre solution de détartrage, puis rincez abondamment.
3. Pour détartrer manuellement, utilisez un outil non métallique (doux); brossez l'élément pour enlever le tartre. Veillez à ne pas endommager la surface de l'élément chauffant.
4. Remettez l'élément chauffant en place.
5. Remplissez le réservoir avant de rebrancher le chauffe-eau à l'alimentation électrique.

Remplacement de l'élément chauffant

1. Débranchez et vidangez le chauffe-eau (voir les instructions relatives à la vidange).
2. Retirez le couvercle (voir les instructions relatives au retrait du couvercle).
3. Retirez l'élément chauffant (voir les instructions relatives au retrait de l'élément chauffant).
4. Installez et étanchez le nouvel élément. Veillez à ce que l'élément chauffant soit bien positionné.
5. Fixez à nouveau tous les câbles à leur emplacement d'origine.



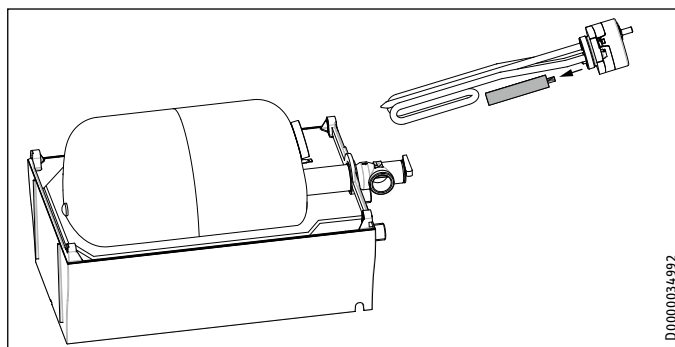
D0000036026

Remplacement de l'anode

Une anode au magnésium est utilisée pour prolonger la durée de vie du réservoir. Le retrait permanent de cette anode pour quelle raison que ce soit annulera la garantie.

Selon les circonstances, l'anode au magnésium aura besoin d'être changée tous les un ou deux ans. La corrosion galvanique ou électrolytique peut détruire un réservoir une anode usée. La présence d'eau rouillée signale normalement que l'anode est usée.

1. Débranchez et vidangez le chauffe-eau (voir les instructions relatives à la vidange).
2. Retirez le couvercle (voir les instructions relatives au retrait du couvercle).
3. Retirez l'élément chauffant (voir les instructions relatives au retrait de l'élément chauffant).
4. Retirez l'anode du support de l'élément chauffant déposé en la dévissant.
5. Mettez une nouvelle anode dans support de l'élément chauffant déposé.
6. Remettez tous les câbles et l'élément chauffant en place.
7. Remplissez le chauffe-eau d'eau et vérifiez qu'il n'y a pas de fuite avant de rebrancher à l'alimentation électrique.



D0000034992

Vanne d'isolement de sécurité



AVERTISSEMENT :

NE BLOQUEZ JAMAIS LE PLONGEOIR COULISSANT DE RÉ-ENCLÈCHEMENT.

DANGER :

DES TEMPÉRATURES DE L'EAU SUPÉRIEURES À 52 °C (125 °F) PEUVENT PROVOQUER DES BRÛLURES GRAVES, VOIRE MORTELLES EN CAS D'ÉBOUILLANTAGE. N'ESSEYER PAS DE RÉENCLÈCHER L'INTERRUPTEUR DE LIMITE SUPÉRIEURE SANS AVOIR LAISSÉ REFROIDIR L'EAU QUI SE TROUVE DANS LE CHAUFFE-EAU.

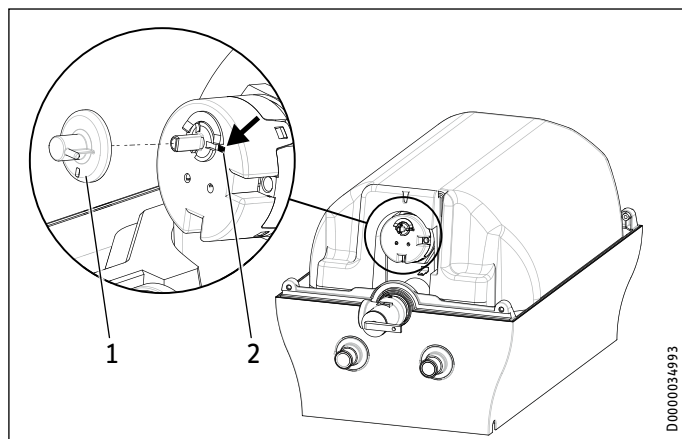
Ré-enclenchement du système de coupure en cas de haute température

1. Débranchez le chauffe-eau.
2. Retirez le couvercle (voir les instructions relatives au retrait du couvercle).
3. Débranchez l'adaptateur de l'axe du dispositif de commande.
4. Appuyez sur le bouton à l'aide d'un outil approprié.
5. Remettez l'adaptateur en position correcte.
6. Remettez le couvercle sur le chauffe-eau et serrez.
7. Remettez le bouton de commande du thermostat en place.

Pendant le chauffage le volume d'eau et la pression de l'eau augmentent dans le réservoir. Il est possible que la soupape de sécurité présente des fuites. C'est tout à fait normal.

GARANTIE

Garantie



1. Adaptateur
2. Bouton

12. Garantie

Stiebel Eltron garantit le chauffe-eau SHC 2.5 contre tout vice de fabrication et de matériel au propriétaire initial. Le réservoir est garanti contre toute fuite pendant une période de six (6) à partir de la date d'achat. Toutes les autres pièces sont garanties pendant deux (2) ans.

Si une pièce quelconque s'avère défectueuse pendant cette période, dans des conditions d'utilisation normale, Stiebel Eltron, Inc. s'engage à remplacer cette pièce (ou ces pièces, le cas échéant) uniquement. Stiebel Eltron, Inc. n'est pas responsable des frais de transport, de retrait, de remise en place, ni de tout autre frais de main d'œuvre ou de transport qui pourrait survenir dans le cadre d'une réclamation en garantie ni pour tout autre frais fortuit ou consécutif.

Cette garantie ne s'applique pas :

1. Si le chauffe-eau n'a pas été installé, utilisé ni entretenu strictement en conformité avec les instructions expresses du fabricant.
2. Si le chauffe-eau n'a pas été installé conformément aux codes de la plomberie et de la construction locaux et provinciaux en vigueur.
3. Si le chauffe-eau n'a pas été alimenté en eau de manière ininterrompue, soit un fonctionnement à sec.
4. Si le chauffe-eau a été modifié de quelle manière que ce soit ou installé par un prestataire non agréé.
5. Aux conditions consécutives à une mauvaise utilisation, une mauvaise manipulation, une négligence, un accident, ou une modification à la pression excessive.
6. Aux conditions consécutives aux inondations, aux tremblements de terre, aux bourrasques, aux incendies, aux éclairs, ou à des circonstances en dehors du contrôle du fabricant.
7. Aux dégâts provoqués par l'eau résultant de manière directe ou indirecte de tout défaut dans le chauffe-eau ou ses composants.

Pour obtenir un service dans le cadre de la garantie, le propriétaire doit d'abord obtenir l'autorisation expresse de Stiebel Eltron, Inc. Le propriétaire doit ensuite apporter la preuve de la date d'achat et payer tous les frais de port pour renvoyer la pièce défectueuse pour qu'elle soit réparée ou remplacée.

STIEBEL ELTRON, Inc.
17 West Street
West Hatfield, MA 01088, USA
TÉL : 800.582.8423 ou 413.247.3380
TÉLÉCOPIE : 413.247.3369
Courriel : info@stiebel-eltron-usa.com
www.stiebel-eltron-usa.com

STIEBEL ELTRON, Inc.
17 West Street | 01088 West Hatfield MA
Tel. 0413 247-3380 | Fax 0413 247-3369
info@stiebel-eltron-usa.com
www.stiebel-eltron-usa.com



Due to our continuous process of engineering and technological advancement, specifications may change without notice.

Stand 8643

STIEBEL ELTRON

A 304662-37 xxx-88xx

