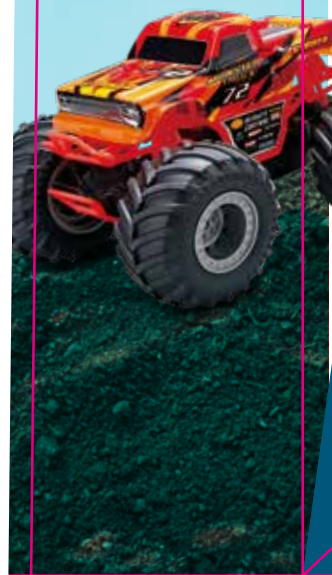


SPEED ZONE



KIDS'N PLAY

CLIENT
PROJECT 261547-0 MONSTERS ROAD 1-28 -
27MHZ - Red
DATE April 21, 2026

PRINTING COLOURS GUIDE / CMYK
C0M80Y100K0 C21M100Y100K18 C0M23Y93K0

DIELINE

ALTHOUGH EVERY POSSIBLE EFFORT HAS BEEN MADE TO ENSURE ACCURACY, ERRORS CAN OCCUR. PLEASE CHECK THIS PROOF/PDF/JPG FILE CAREFULLY. THIS PROOF FILE IS FOR COLOUR BREAK ONLY AND MAY NOT ACCURATELY REFLECT FINAL PRINTED INKS.

SPEED ZONE



6+

SCALE/ESCALA
1:28

27
MHZ



All terrain tires,
endless fun!
Neumáticos todoterreno,
diversión sin límites!



**OFF-ROAD
MONSTER
TRUCK**



**OFF-ROAD
MONSTER
TRUCK**

SPEED ZONE

WARNING:
CHOKING HAZARD - Small parts.
Not for children under 3 years.



**OFF-ROAD
MONSTER
TRUCK**

SPEED ZONE



6+

SCALE/ESCALA
1:28

27
MHZ

All terrain tires,
endless fun!
Neumáticos todoterreno,
diversión sin límites!

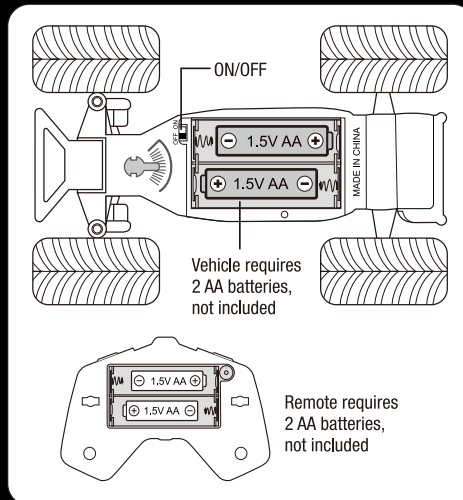


**OFF-ROAD
MONSTER
TRUCK**

ADVERTENCIA:
RIESGO DE ASFIXIA - Piezas pequeñas. No
se recomienda para niños menores de 3 años.

Colors and styles may vary.
Keep this package for reference as it
contains important information.

© 2026 KNP LLC
Boca Raton, FL USA 33487
Kids 'N Play® and the Kids 'N Play® logo
are trademarks of KNP LLC. All rights reserved.
Made in China / Hecho en China



SAFETY WARNINGS

- Adult supervision is recommended.
- Product may contain small parts that could present a choking hazard.
- Remove and discard all inner packaging before delivering this toy to a child.
- Bags, packing material, etc., are not part of the toy and represent a risk of choking or suffocation.
- Keep the product manual or instructions on product package for future reference.
- It is recommended that this toy and all accessories be periodically examined for potential hazards and that any potentially hazardous parts be repaired or replaced.
- Avoid water, sand and snow when operating your vehicle.
- Do not submerge vehicle or controller in water.
- Keep fingers, hair and loose clothing away from the tires, gears and motor while the vehicle is switched to the "ON" position.
- Never operate your vehicle on the street or highway.
- Not appropriate for children under 6 years.

BATTERY WARNING

- Do not mix old and new batteries.
- Do not mix alkaline, standard (carbon-zinc), or rechargeable batteries.
- Insert batteries using the correct polarity. Do not short-circuit the supply terminals.
- Remove batteries when not in use. Recycle or dispose of exhausted batteries according to federal, state, and local laws. Do not dispose of batteries in a fire - they may leak or explode.
- Only use manufacturer specified battery(ies), charger(s) and/or adapter, if applicable, specified by the manufacturer.
- Always use, replace, and recharge (if applicable) batteries under adult supervision.

This device complies with Part 15 of the FCC Rules. Operation is subject to the following two conditions: (1) this device may not cause harmful interference, and (2) this device must accept any interference received, including interference that may cause undesired operation.

Warning: Changes or modifications to this unit not expressly approved by the party responsible for compliance could void the user's authority to operate the equipment.

Note: This equipment has been tested and found to comply with the limits for a Class B digital device, pursuant to Part 15 of the FCC Rules. These limits are designed to provide reasonable protection against harmful interference in a residential installation. This equipment generates, uses and can radiate radio frequency energy and, if not installed and used in accordance with the instructions, may cause harmful interference to radio communications. However, there is no guarantee that interference will not occur in a particular installation. If this equipment does cause harmful interference to radio or television reception, which can be determined by turning the equipment off and on, the user is encouraged to try to correct the interference by one or more of the following measures:

- Reorient or relocate the receiving antenna.
- Increase the separation between the equipment and receiver.
- Connect the equipment into an outlet on a circuit different from that to which the receiver is connected.
- Consult the dealer or an experienced radio/TV technician for help.

261547-0

