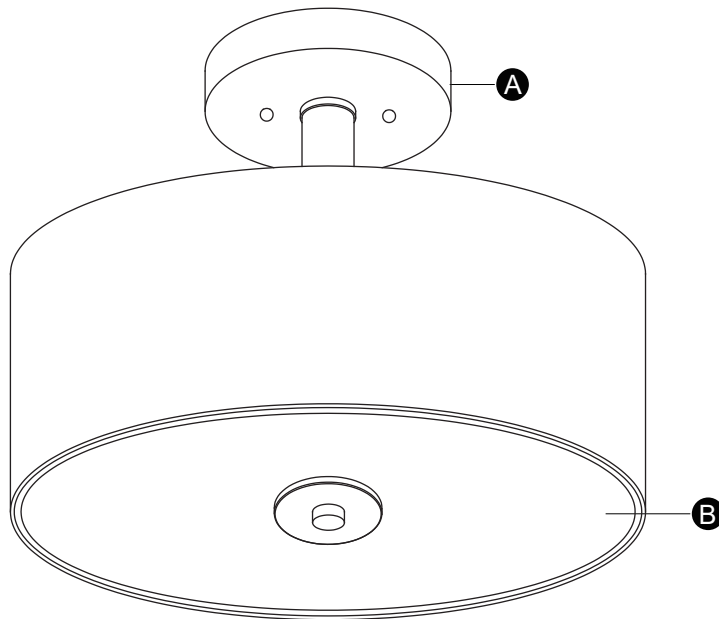




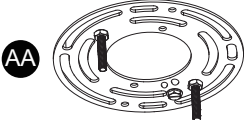


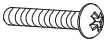


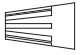


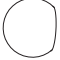

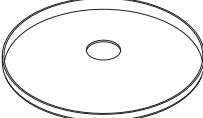

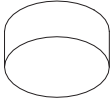
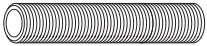
Questions, problems, missing parts?

Before returning to your retailer, call our customer service at 1-800-887-6326
 Monday – Friday 9:00 a.m. – 5:00 p.m. CST

PACKAGE CONTENTS



HARDWARE CONTENTS Note: Hardware not shown actual size.

 <p>AA Mounting Plate Unit X1</p>	 <p>EE Hex Nut X2</p>	 <p>KK Hex Nut X1</p>
 <p>BB Mounting Screw X2</p>	 <p>FF Lock Washer X2</p>	 <p>LL Metal Pad X1</p>
 <p>CC Wire Connector X3</p>	 <p>GG Metal Pad X1</p>	 <p>MM Rod X1</p>
 <p>DD Bolt Nut X2</p>	 <p>HH Tube Cap X1</p>	 <p>NN Decorative Cap X1</p>
	 <p>II Tube X1</p>	 <p>OO Finial X1</p>
	 <p>JJ Threaded Pipe X1</p>	

⚠ SAFETY INFORMATION

Please read and understand this entire manual before attempting to assemble, operate or install the product.

WARNING

- Turn off electricity at main fuse box (or circuit breaker box) before beginning installation by removing fuse (or switching off circuit breaker).
- Be careful not to damage or cut the wire insulation (covering) during fixture installation. Do not permit wires to contact any surface having a sharp edge. To do so may damage or cut the wire insulation, which could cause serious injury or death from electric shock.

CAUTION

- All electrical connections must be in agreement with local codes, ordinances or the national electric code (NEC). Contact your municipal building department to learn about your local codes, permits and/or inspections.
- Risk of fire – most dwellings built before 1985 have supply wire rated for 140°F/60°C. Consult a qualified electrician before installation.
- Do not connect this fixture to an electrical system that does not provide a means for equipment grounding. Never use a fixture in a two-wire system that is not grounded. If you are not sure your lighting system has a grounding means, do not attempt to install this fixture. Contact a qualified, licensed electrician for information with regards to proper grounding methods as required by the local electrical code in your area.

PREPARATION

Before beginning assembly, installation or operation of product, make sure all parts are present. Compare parts with package contents list and diagram on previous page. If any part is missing or damaged, do not attempt to assemble, install or operate the product. Contact customer service for replacement parts.

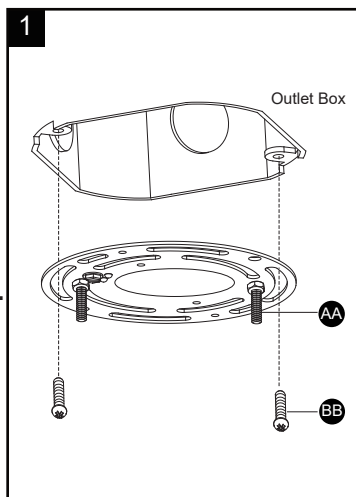
Tools Required for Assembly (not included): Slotted Screwdriver, Phillips Screwdriver, Pliers, Electrical Tape, Wire Cutters, Safety Glasses, Ladder, Wire Stripper.

ASSEMBLY INSTRUCTIONS

Turn off the power at the fuse or circuit box.

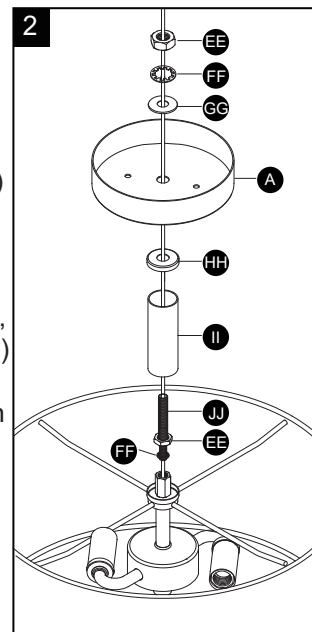
1. Attach mounting plate unit(AA) to outlet box by using two mounting screws(BB).

Note: The depth of threaded pipe on the mounting plate unit may need to be adjusted to properly fit the fixture.



2. Thread the fixture wires from the fixture through the threaded pipe(JJ), then secure the threaded pipe(JJ) onto the fixture using the lock washer(FF) and hex nut(EE).

Thread the fixture wires from the fixture through the tube(II), tube cap(HH), canopy(A), metal pad(GG), lock washer(FF) and hex nut(EE) in sequence, then secure them using the hex nut(EE).

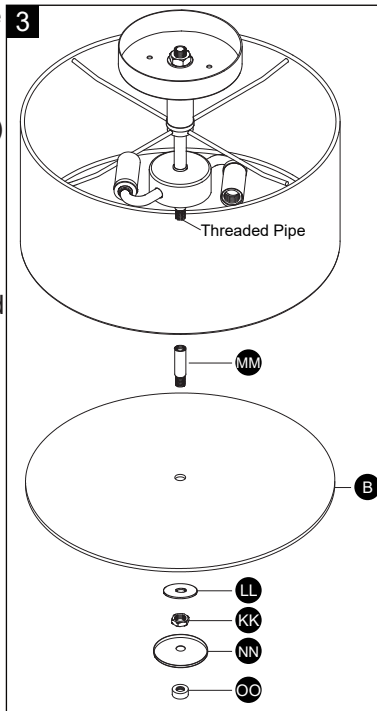


ASSEMBLY INSTRUCTIONS (continued)

3. Attach the rod(MM) to the fixture using the threaded pipe.

Attach the acrylic plate(B) to the rod(MM), and then secure it with the metal pad(LL) and hex nut(KK).

Attach the decorative cap(NN) to the rod(MM), and then secure it with the finial(OO).



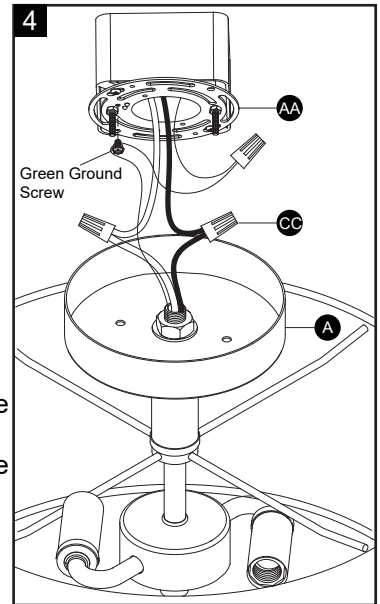
4. Pull out the source wires from the outlet box, make wire connections using wire connectors(CC) as follows:

---Connect the black (hot) wire from the fixture to the black (hot) wire from the power source.

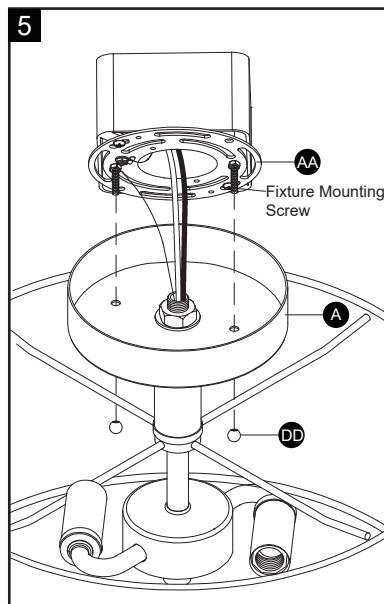
---Connect the white (neutral) wire from the fixture to the white (neutral) wire from the power source.

---Attach the fixture ground wire(bare wire) to the mounting plate unit(AA) with the green ground screw, then connect the fixture ground wire to the house ground wire with a wire connector(CC).

Carefully put all of the wires back into the outlet box.



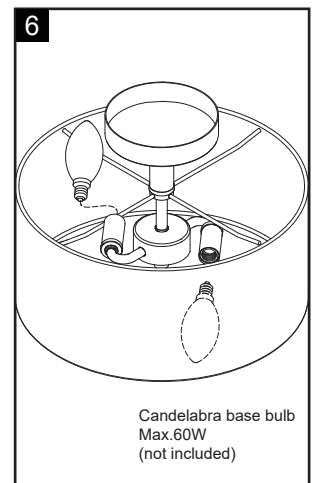
5. Attach the canopy(A) to the mounting plate unit (AA) by aligning and inserting the two fixture mounting screws from the mounting plate unit (AA) into the open holes on the canopy(A), then secure the canopy(A) with two bolt nuts(DD).



6. Install 2x60W Candelabra base bulbs. (not included)

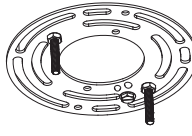
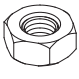
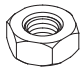
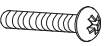


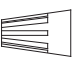
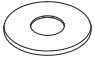

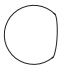

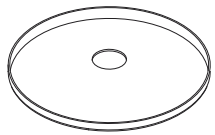

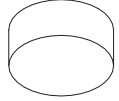
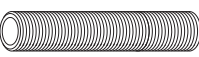
See relamping label at socket area or packaging for maximum allowed wattage.

Turn on the power at the fuse or circuit box.

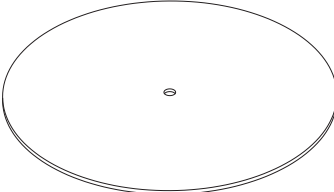


The following parts are available for reorder if damaged or missing. Call our toll free at 1-800-887-6326.

Spare Parts List:

AA 	Mounting Plate Unit X1	EE 	Hex Nut X2	KK 	Hex Nut X1
BB 	Mounting Screw X2	FF 	Lock Washer X2	LL 	Metal Pad X1
CC 	Wire Connector X3	GG 	Metal Pad X1	MM 	Rod X1
DD 	Bolt Nut X2	HH 	Tube Cap X1	NN 	Decorative Cap X1
		II 	Tube X1	OO 	Finial X1
		JJ 	Threaded Pipe X1		

Assembly Kit 6393MM (1 SET) Assembly Kit 6399MM (1 SET) Assembly Kit 6398MM (1 SET)

B  Acrylic Plate 10265AC

CARE AND MAINTENANCE

- To clean, turn off and wipe with a damp, non-abrasive cloth.

TROUBLESHOOTING

1) The light does not work:

- Make sure the wall switch and circuit breaker are on.
- Make sure the wiring is correct.

2) Fuse blows or circuit trips when light is turned on.

Check for crossed wires, ensure wiring is correct.

If unable to fix any of the above issues, please consult a certified electrician.

FIVE-YEAR LIMITED WARRANTY: If, during normal use, this PATRIOT LIGHTING® lighting fixture breaks or fails due to a defect in material workmanship within five (5) years from the date of original purchase, simply bring this lighting fixture with the original sales receipt back to your nearest MENARDS® retail store. At its discretion, PATRIOT LIGHTING® agrees to have the product or any defective part(s) repaired or replaced with the same or similar PATRIOT LIGHTING® product or part free of charge, within the stated warranty period, when returned by the original purchaser with original sales receipt. This warranty; (1) excludes expendable parts including but not limited to light bulbs; (2) does not cover damage that has resulted from abuse or misuse; and (3) does not cover any losses, labor, injuries to persons/property or costs. This warranty does give you specific legal rights and you may have other rights, which vary from state to state.



Questions, problems, missing parts?

Before returning to your retailer, call our customer service at 1-800-887-6326
Monday – Friday 9:00 a.m. – 5:00 p.m. CST