

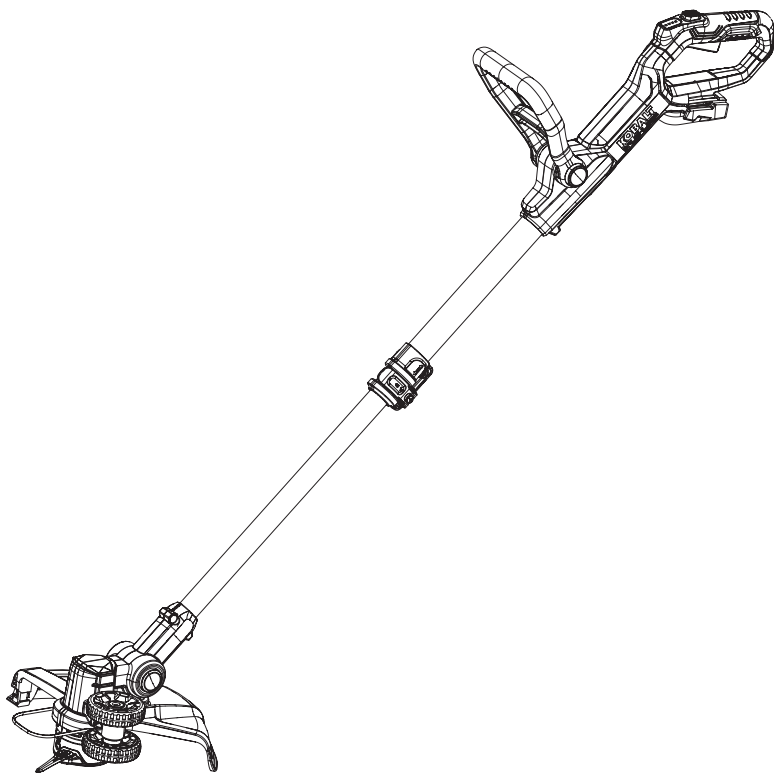
KOBALT®

KOBALT and logo design are trademarks or registered trademarks of LF, LLC. All rights reserved.

ITEM #6036747/7915899
MODEL #KST 2024-06/KST 1224-06

24 V 2-IN-1 STRING TRIMMER/ LAWN EDGER

Español p. 29



Serial Number _____

Purchase Date _____

Thank you for purchasing this KOBALT product.
Questions, problems or missing parts?
Before returning, contact us on:
888-356-2258, 8 a.m. - 8 p.m., EST, Monday - Sunday or ascs@lowes.com.

SG25975

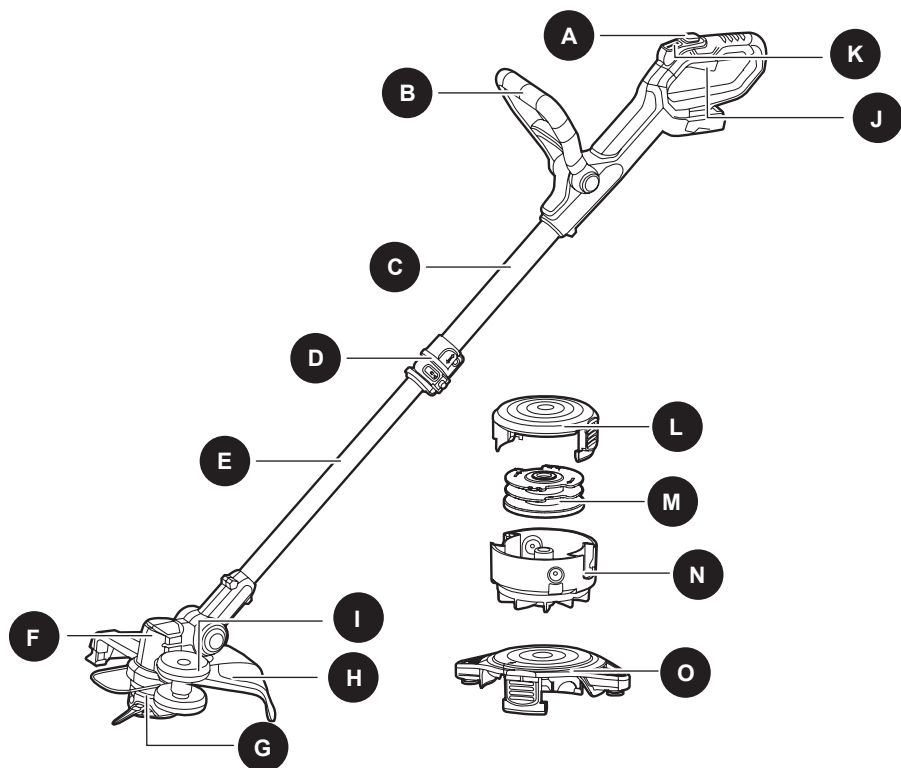
TABLE OF CONTENTS

Product Specifications.....	2
Package Contents.....	3
Hardware Contents.....	4
Symbols.....	5
Safety Information.....	7
Preparation.....	12
Assembly Instructions.....	12
Operating Instructions.....	19
Care and Maintenance.....	24
Troubleshooting.....	25
Warranty.....	26
Replacement Parts List.....	27

PRODUCT SPECIFICATIONS

SPECIFICATIONS		
Battery type		24 V Lithium-ion
No-load speed	Cutting line	7000 RPM \pm 10%
	Plastic blade	7000 RPM \pm 10%
Cutting path	Cutting line	12 in. (305 mm)
	Plastic blade	10 in. (257 mm)
Line diameter		0.065 in. (1.65 mm)
Cutting capacity		Dual line

PACKAGE CONTENTS

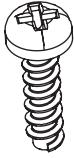


PART	DESCRIPTION	QUANTITY
A	Power button	1
B	Front / Auxiliary handle	1
C	Upper tube	1
D	Coupler	1
E	Lower tube	1
F	Motor housing	1
G	String trimmer head	1
H	Guard	1
I	Edger wheel	1

PART	DESCRIPTION	QUANTITY
J	Trigger	1
K	Power indicator LED	1
L	Spool cover	1
M	Spool	1
N	Spool housing	1
O	Plastic blade head	1

HARDWARE CONTENTS (Not to scale)

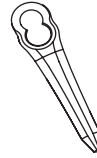
AA



Screw
(pre-assembled to the guard (H))

Qty. 1

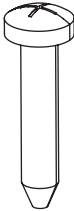
BB



Plastic blade
(pre-assembled to the plastic blade
head (N))

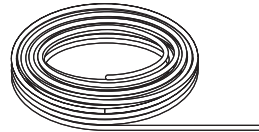
Qty. 2

CC



Screw
(pre-assembled to the edger
wheel (I))

Qty. 1










Ø = 1.65 mm (0.065 in.)

Cutting Line
(3 m, 10 ft.)

Qty. 2




SYMBOLS

Some of the following symbols may be used on this product. Please study them and learn their meaning. Proper interpretation of these symbols will allow you to operate the product better and safer.


SYMBOLS	EXPLANATION
	Indicates a potential personal injury hazard.
	To reduce the risk of injury, user must read instruction manual.
	Wear eye and ear protection.
	Do not expose to rain.
	Disconnect battery before maintenance.
	Thrown objects can ricochet and result in personal injury or property damage.
	Keep bystanders away.

SYMBOLS

The following signal words and meanings are intended to explain the levels of risk associated with this product.

SYMBOL	SIGNAL	MEANING
	DANGER	Indicates an imminently hazardous situation, which, if not avoided, will result in death or serious injury.
	WARNING	Indicates a potentially hazardous situation, which, if not avoided, could result in death or serious injury.
	CAUTION	Indicates a potentially hazardous situation, which, if not avoided, may result in minor or moderate injury.
	CAUTION	(Without Safety Alert Symbol) Indicates a situation that may result in property damage.

WARNING

- To avoid serious personal injury, do not attempt to use this product until you have read this owner's manual thoroughly and understand it completely. If you do not understand the warnings and instructions in this owner's manual, do not use this product. Call **888-356-2258** for assistance.
-  The operation of any product can result in foreign objects being thrown into your eyes, which can result in severe eye damage. Before operating a product, always wear safety goggles, safety glasses with side shields, or a full-face shield when needed. A Wide Vision Safety Mask is recommended for use over eyeglasses or standard safety glasses with side shields. Always use eye protection that is marked to comply with ANSI Z87.1.

SAVE THESE INSTRUCTIONS

SAFETY INFORMATION

Please read and understand this entire manual before attempting to assemble, operate or install the product.

General Product Safety Warnings

WARNING

Read all safety warnings, instructions, illustrations and specifications provided with this Product. Failure to follow all instructions listed below may result in electric shock, fire and/or serious injury.

Save all warnings and instructions for future reference.

The term “product” in the warnings refers to your mains-operated (corded) Product or BATTERY-operated (cordless) Product.

1) Work area safety

- a) **Keep work area clean and well lit.** *Cluttered or dark areas invite accidents.*
- b) **Do not operate products in explosive atmospheres, such as in the presence of flammable liquids, gases or dust.** *Products create sparks which may ignite the dust or fumes.*
- c) **Keep children and bystanders away while operating a product.** *Distractions can cause you to lose control.*

2) Electrical safety

- a) **Product plugs must match the outlet. Never modify the plug in any way. Do not use any adapter plugs with earthed (grounded) products.** *Unmodified plugs and matching outlets will reduce risk of electric shock.*
- b) **Avoid body contact with earthed or grounded surfaces, such as pipes, radiators, ranges and refrigerators.** *There is an increased risk of electric shock if your body is earthed or grounded.*
- c) **Do not expose products to rain or wet conditions.** *Water entering a Product will increase the risk of electric shock.*
- d) **Do not abuse the cord. Never use the cord for carrying, pulling or unplugging the product. Keep cord away from heat, oil, sharp edges or moving parts.** *Damaged or entangled cords increase the risk of electric shock.*
- e) **When operating a product outdoors, use an extension cord suitable for outdoor use.** *Use of a cord suitable for outdoor use reduces the risk of electric shock.*
- f) **If operating a product in a damp location is unavoidable, use a residual current device (RCD) protected supply.** *Use of an RCD reduces the risk of electric shock.*

3) Personal safety

- a) **Stay alert, watch what you are doing and use common sense when operating a product. Do not use a product while you are tired or under the influence of drugs, alcohol or medication.** *A moment of inattention while operating Products may result in serious personal injury.*
- b) **Use personal protective equipment. Always wear eye protection.** *Protective equipment such as dust mask, non-skid safety shoes, hard hat, or hearing protection used for appropriate conditions will reduce personal injuries.*
- c) **Prevent unintentional starting. Ensure the switch is in the off-position before connecting to power source and/or battery pack, picking up or carrying the product.** *Carrying products with your finger on the switch or energising products that have the switch on invites accidents.*
- d) **Remove any adjusting key or wrench before turning the product on.** *A wrench or a key left attached to a rotating part of the Product may result in personal injury.*
- e) **Do not overreach. Keep proper footing and balance at all times.** *This enables better control of the product in unexpected situations.*

- f) **Dress properly. Do not wear loose clothing or jewellery. Keep your hair and clothing away from moving parts.** *Loose clothes, jewellery or long hair can be caught in moving parts.*
- g) **If devices are provided for the connection of dust extraction and collection facilities, ensure these are connected and properly used.** *Use of dust collection can reduce dust-related hazards.*
- h) **Do not let familiarity gained from frequent use of products allow you to become complacent and ignore tool safety principles. A careless action can cause severe injury within a fraction of a second.**

4) Product use and care

- a) **Do not force the product. Use the correct product for your application.** *The correct product will do the job better and safer at the rate for which it was designed.*
- b) **Do not use the product if the switch does not turn it on and off.** *Any product that cannot be controlled with the switch is dangerous and must be repaired.*
- c) **Disconnect the plug from the power source and/or remove the battery pack, if detachable, from the product before making any adjustments, changing accessories, or storing Products.** *Such preventive safety measures reduce the risk of starting the Product accidentally.*
- d) **Store idle products out of the reach of children and do not allow persons unfamiliar with the product or these instructions to operate the product.** *Products are dangerous in the hands of untrained users.*
- e) **Maintain products and accessories. Check for misalignment or binding of moving parts, breakage of parts and any other condition that may affect the product's operation. If damaged, have the product repaired before use.** *Many accidents are caused by poorly maintained products.*
- f) **Keep cutting tools sharp and clean.** *Properly maintained cutting tools with sharp cutting edges are less likely to bind and are easier to control.*
- g) **Use the product, accessories and tool bits etc. in accordance with these instructions, taking into account the working conditions and the work to be performed.** *Use of the product for operations different from those intended could result in a hazardous situation.*
- h) **Keep handles and grasping surfaces dry, clean and free from oil and grease.** *Slippery handles and grasping surfaces do not allow for safe handling and control of the tool in unexpected situations.*

5) Battery tool use and care

- a) **Recharge only with the charger specified by the manufacturer.** *A charger that is suitable for one type of battery pack may create a risk of fire when used with another battery pack.*
- b) **Use products only with specifically designated battery packs.** *Use of any other battery packs may create a risk of injury and fire.*
- c) **When battery pack is not in use, keep it away from other metal objects, like paper clips, coins, keys, nails, screws or other small metal objects, that can make a connection from one terminal to another.** *Shorting the battery terminals together may cause burns or a fire.*
- d) **Under abusive conditions, liquid may be ejected from the battery; avoid contact. If contact accidentally occurs, flush with water. If liquid contacts eyes, additionally seek medical help.** *Liquid ejected from the battery may cause irritation or burns.*
- e) **Do not use a battery pack or product that is damaged or modified.** *Damaged or modified batteries may exhibit unpredictable behaviour resulting in fire, explosion or risk of injury.*
- f) **Do not expose a battery pack or product to fire or excessive temperature.** *Exposure to fire or temperature above 130 °C (265 °F) may cause explosion.*
- g) **Follow all charging instructions and do not charge the battery pack or product outside the temperature range specified in the instructions.** *Charging improperly or at temperatures outside the specified range may damage the battery and increase the risk of fire.*

- Use only KOBALT 24-volt batteries. (KB 224-03, KB 224-06, KB 324-06, KB 424-03, KXB 424-03, KB 424A-06, KB 424-06, KB 524-06, KB 524-03, KB 624-03, KB 624-06, KXB 824-03, KB 824-06).

SAFETY INFORMATION

- Use only KOBALT 24-volt charger. (KRC 2445-03, KCH 2401-03, KDPC 124-03, KRC 2490-03, KCH 2411-03, KRC 2404-03, KCH 324-06, KCH 624-06, KCH 1024-06, KCH 1424-06).
- Ambient temperature range:
 - String trimmer storage temperature range: -4°F (-20°C) - 158°F (70°C)
 - String trimmer operation temperature range: -4°F (-20°C) - 104°F (40°C)
 - Battery charging temperature range: 39°F (4°C) - 104°F (40°C)
 - Charger operation temperature range: 39°F (4°C) - 113°F (45°C)
 - Battery storage temperature range: 1 year: 32°F (0°C) - 73°F (23°C)
3 month: 32°F (0°C) - 113°F (45°C)
1 month: 32°F (0°C) - 140°F (60°C)
 - Battery discharging temperature range: 6.8°F (-14°C) - 113°F (45°C)

6) Service

- a) Have your product serviced by a qualified repair person using only identical replacement parts.** *This will ensure that the safety of the product is maintained.*
- b) Never service damaged battery packs.** *Service of battery packs should only be performed by the manufacturer or authorized service providers.*

Lawn trimmer and lawn edge trimmer safety warnings

- a) Do not use the product in bad weather conditions, especially when there is a risk of lightning.** *This decreases the risk of being struck by lightning.*
- b) Thoroughly inspect the area for wildlife where the product is to be used.** *Wildlife may be injured by the product during operation.*
- c) Thoroughly inspect the area where the product is to be used and remove all stones, sticks, wires, bones, and other foreign objects.** *Thrown objects can cause personal injury.*
- d) Before using the product, always visually inspect to see that the cutter and the cutter assembly are not damaged.** *Damaged parts increase the risk of injury.*
- f) Keep guards in place. Guards must be in working order and be properly mounted.** *A guard that is loose, damaged, or is not functioning correctly may result in personal injury.*
- g) Keep all cooling air inlets clear of debris.** *Blocked air inlets and debris may result in overheating or risk of fire.*
- h) Wear eye, ear, head and hand protection.** *Adequate protective equipment will reduce personal injury.*
- i) While operating the product, always wear non-slip and protective footwear. Do not operate the product when barefoot or wearing open sandals.** *This reduces the chance of injury to the feet from contact with the moving cutters.*
- j) Always wear clothing such as trousers that covers the operator's legs while operating the product.** *Contact with the moving cutter or line may cause injury.*
- k) Keep bystanders away while operating the product.** *Thrown debris can result in serious personal injury.*
- l) Do not operate the product above waist height.** *This helps prevent unintended cutter contact and enables better control of the product in unexpected situations.*
- m) Exercise caution when operating the product in wet grass. Walk, never run.** *This reduces the risk of slipping and falling which may result in personal injury.*
- n) Do not operate the product on excessively steep slopes.** *This reduces the risk of loss of control, slipping and falling which may result in personal injury.*
- o) When working on slopes, always be sure of your footing, always work across the face of slopes, never up or down and exercise extreme caution when changing direction.** *This reduces the risk of loss of control, slipping and falling which may result in personal injury.*

p) Keep all power cords and cables away from cutting area. *Power cords or cables may be hidden in hedges or bushes and can be accidentally cut or damaged by the line or cutter.*

q) Keep all parts of the body away from the moving trimmer cutter or line. Do not clear material from the product until it has been disconnected from the power source. *The moving trimmer cutter or line may result in serious personal injury.*

r) Carry the product with the product switched off and away from your body. *Proper handling of the product will reduce the likelihood of accidental contact with a moving trimmer cutter or line.*

s) Only use replacement cutting heads and trimmer cutters or lines specified by the manufacturer. Do not replace the trimmer cutters or lines with metal wires or blades. *Incorrect replacement parts may cause loss of control, breakage and injury.*

- **Keep bystanders away while operating the product.** *Thrown debris can result in serious personal injury.*
- **Always use two hands when operating the product.** *Holding the product with both hands will avoid loss of control.*
- **Hold the product by insulated gripping surfaces only, because the cutting line or blade may contact hidden wiring or its own cord.** *Cutting line or blades contacting a "live" wire may make exposed metal parts of the product "live" and could give the operator an electric shock.*
- **Always keep proper footing and operate the product only when standing on the ground.** *Slippery or unstable surfaces may cause a loss of balance or control of the product.*
- **Do not operate the product on excessively steep slopes.** *This reduces the risk of loss of control, slipping and falling which may result in personal injury.*
- **When working on slopes, always be sure of your footing, always work across the face of slopes, never up or down and exercise extreme caution when changing direction.** *This reduces the risk of loss of control, slipping and falling which may result in personal injury.*
- **Keep all parts of the body away from the cutter, line or blade when the product is operating. Before you start the product, make sure the cutter, line or blade is not contacting anything.** *A moment of inattention while operating the product may result in injury to yourself or others.*
- **Maintain control of the product and do not touch cutters, lines or blades and other hazardous moving parts while they are still in motion.** *This reduces the risk of injury from moving parts.*
- **Carry the product with the product switched off and away from your body.** *Proper handling of the product will reduce the likelihood of accidental contact with a moving cutter, line or blade.*
- **Only use replacement cutters, lines, cutting heads and blades specified by the manufacturer.** *Incorrect replacement parts may increase the risk of breakage and injury.*
- **When clearing jammed material or servicing the product, make sure all power switches are off and the power cord is disconnected.** *Unexpected starting of the product while clearing jammed material or servicing may result in serious personal injury.*

Child safety

Tragic accidents can occur if the operator is not aware of the presence of children.

- Keep children out of the working area and under the watchful care of a responsible adult.
- Do not allow children under the age of 14 to operate this trimmer. Children who are 14 years of age or older must read and understand the operating instructions and safety rules in this manual and must be trained and supervised by a parent.
- Stay alert and turn the trimmer off if a child or any other person enters the working area.
- Look behind and down for small children before and while cutting backwards.
- Use extreme care when approaching blind corners, doorways, shrubs, trees, or other objects that may obscure your view of a child who may run into the path of the trimmer.

SAFETY INFORMATION

WARNING (PROPOSITION 65)

Some dust created by power sanding, sawing, grinding, drilling, and other construction activities contains chemicals known to cause cancer, birth defects or other reproductive harm. Some examples of these chemicals are:

- Lead from lead-based paints.
- Crystalline silica from bricks and cement and other masonry products, and
- Arsenic and chromium from chemically treated lumber.

Your risk of exposure to these chemicals varies depending on how often you do this type of work.

To reduce your exposure to these chemicals, work in a well-ventilated area, and work with approved safety equipment, such as dust masks that are specially designed to filter out microscopic particles.

SERVICE

Servicing requires extreme care and knowledge and should be performed only by a qualified service technician. For service, it is suggested you return the product to your nearest AUTHORIZED SERVICE DEPARTMENT for repair. When servicing, use only identical replacement parts.

SAVE THESE INSTRUCTIONS

PREPARATION

Before beginning assembly of product, make sure all parts are present. Compare parts with package contents list and hardware contents list. If any part is missing or damaged, do not attempt to assemble the product.

Estimated Assembly Time: 5 - 10 minutes

Tools Required for Assembly (not included): Phillips Screwdriver

ASSEMBLY INSTRUCTIONS

WARNING

To avoid injury and to reduce the risk of electrical shock or fire:

- Replace the battery or charger immediately if the battery case or charger cord is damaged.
- Always make sure the string trimmer switch is OFF before inserting or removing the battery.
- Always make sure the battery is removed and the switch is turned OFF before inspecting, adjusting, or maintaining any other part of the string trimmer.
- Read, understand, and follow the Battery Charger instructions.

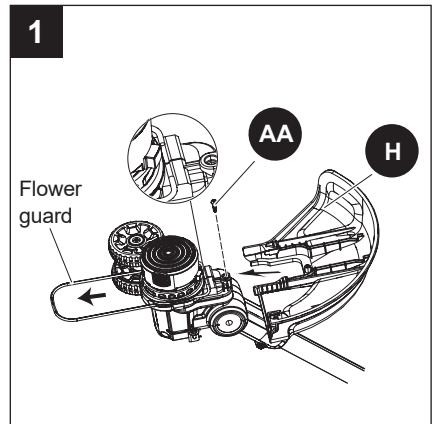
1. Installing the guard

CAUTION

To avoid injury, always remove the battery before installing the guard, changing a cutting line, or making any adjustments. If the guard is damaged, do not use the grass trimmer until it is replaced.

Note: Install the protective guard before operating the grass trimmer. It should not be removed or disassembled.

- Pull the flower guard until the open end is in the slots.
- Remove the screw (AA) from the trimmer guard (H) with a Phillips head screwdriver (not included).
- Insert the trimmer guard (H) onto the string trimmer head.
- Align the screw hole on the trimmer guard (H) with the screw hole on the string trimmer head.
- Securely tighten the screw (AA) with a Phillips head screwdriver (not included).



Hardware Used

AA Screw

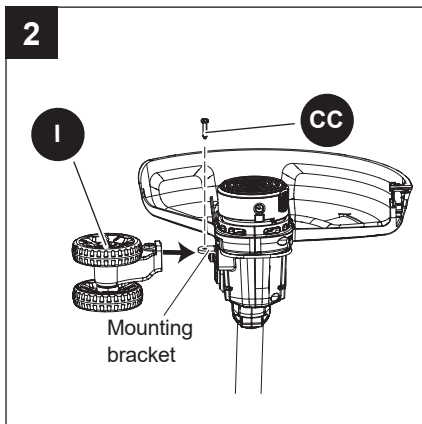


x 1

ASSEMBLY INSTRUCTIONS

2. Installing the edger wheel

- Remove the screw (CC) from the edger wheel (I) with a Phillips head screwdriver (not included).
- Slide the edger wheel (I) onto the mounting bracket on side of string trimmer head.
- Align the screw hole on the edger wheel with the screw hole on the string trimmer head.
- Securely tighten the screws with a Phillips head screwdriver (not included).



Hardware Used

CC Screw



x 1

ASSEMBLY INSTRUCTIONS

3. Replacing the cutting line

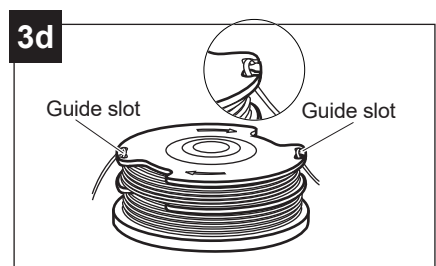
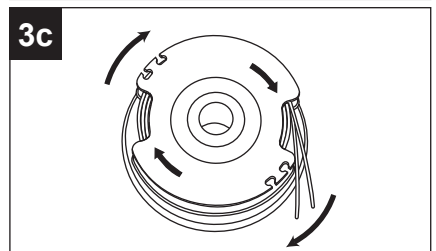
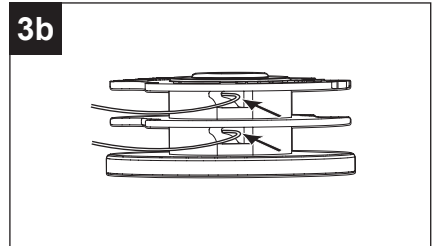
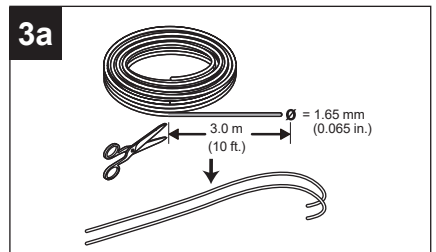
A spool of cutting line is pre-installed on the trimmer. When the cutting line needs replacing, rewind new line onto existing spool.

CAUTION

To avoid injury, always remove the battery before installing the guard, changing a cutting line, or making any adjustments.

Note: Remove the remaining cutting line on the spool. Only compatible with nylon cutting line up to .065 in. (1.65 mm) diameter.

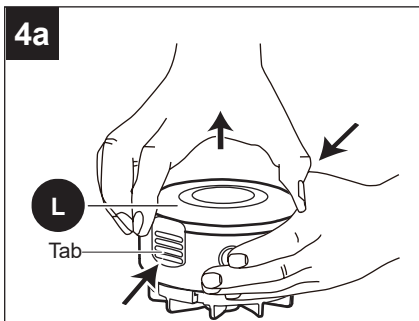
- Cut two pieces of cutting line approximately 10 ft. (3 m) long.
- Bend one end of the line 1/4 of an inch (6.35 mm).
- Insert the lines into the anchor holes of the spool.
- Wind both cutting lines around the spool tightly in the indicated direction.
- Be sure to keep each cutting line in their respective grooves.
- Put the cutting line in the guide slot.
- Do not wind the cutting line beyond the edge of the spool.



ASSEMBLY INSTRUCTIONS

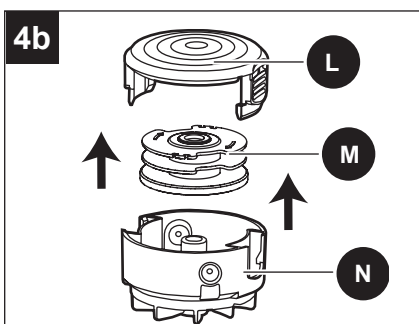
4. Replacing the spool

- Push in the tabs on each side of the string trimmer head at the same time.

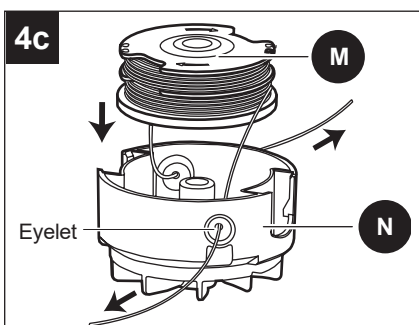


- Pull and remove the spool cover (L).
- Remove the remaining spool (M).
- Put the new spool in the spool housing (N).

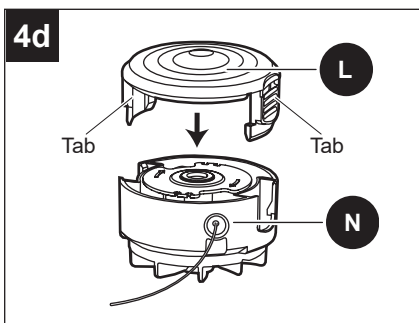
Note: Make sure that the cutting line is in the guide slot on the new spool, and is extended approximately 5 in. before you install the new spool.



- Insert the end of each cutting line through the eyelets provided.

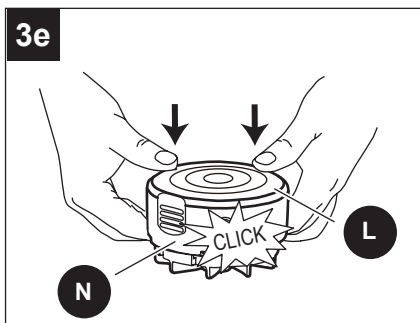


- Extend the cutting line to release it from the guide slot in the spool (M).
- Push the tabs and install the spool cover (L) onto the spool housing (N).



ASSEMBLY INSTRUCTIONS

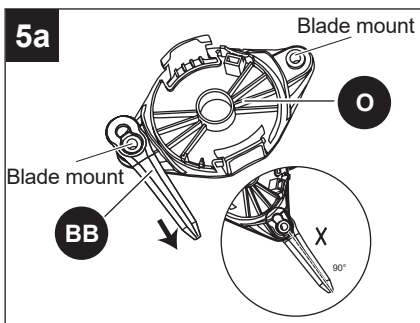
- Push the spool cover (L) until it clicks into position.



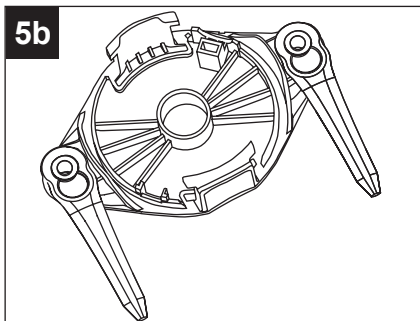
5. Replacing the plastic blade

Note: Don't insert the plastic blade vertically. In order to prevent the product from vibrating, blades must be installed on both sides of the plastic blade head for normal use.

- Place the larger opening of the blade in the blade mount on the plastic blade head (O).
- Pull the blade (BB) outwards in the direction of the arrow until the blade (BB) latches into the smaller opening.



- Place another blade on the other blade mount.



ASSEMBLY INSTRUCTIONS

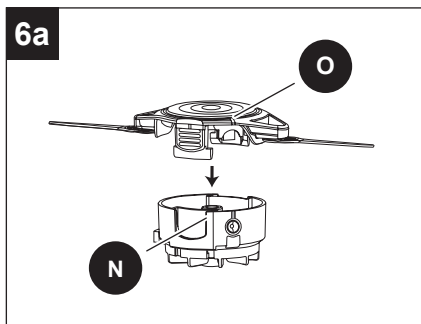
Hardware Used

- BB** Plastic blade  x 2

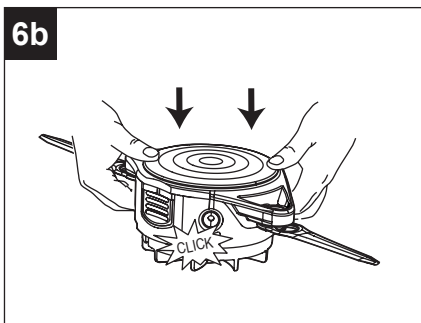
6. Replacing the plastic blade head

Note: Ensure that all the parts (including spool, lines and other debris) should be removed before replacing the plastic blade head, so that the plastic blades could be used successfully.

- Push the tabs and install the plastic blade head (O) onto the spool housing (N).



- Push the plastic blade head (O) assembly until it clicks into position.



ASSEMBLY INSTRUCTIONS

7. Installing / removing the battery

IMPORTANT

The battery is not charged when it is purchased. Before using the trimmer for the first time, plug the battery into the battery charger and charge.

To install the battery

- Make sure that the battery is fully charged.
- Push the battery into the battery slot. The battery locks into position when you hear a click.

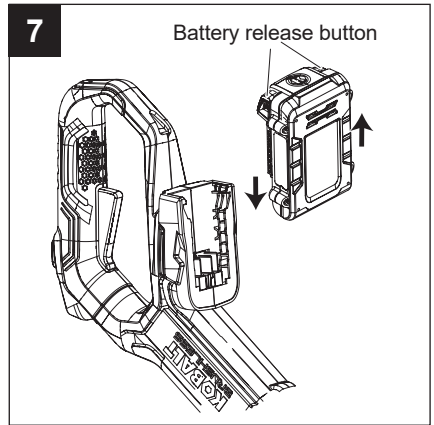
To remove the battery

- Release the trigger.
- Push the battery release buttons and pull out the battery to fully stop its operation.
Note: The battery fits into the handle snugly in order to prevent accidental dislodging.

WARNING

Follow these instructions in order to avoid injury and to reduce the risk of electric shock or fire:

- Replace the battery immediately if the battery case is damaged.
- Verify that the switch is in the OFF position before inserting or removing the battery.
- Verify that the battery is removed and the switch is in the OFF position before inspecting, adjusting, or performing maintenance on any part of the string trimmer.

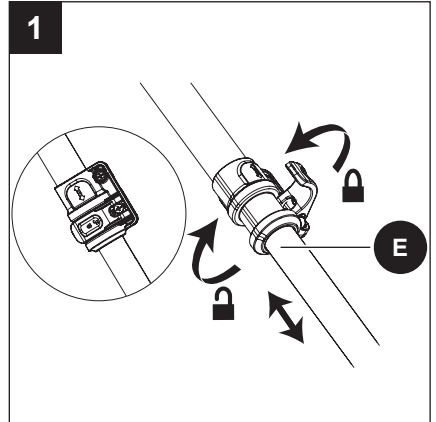


OPERATING INSTRUCTIONS

1. Adjust the length of trimmer tubes

Note: You can adjust the length of trimmer tubes to operate the product easily.

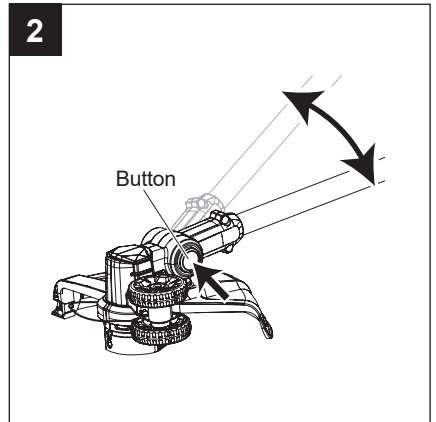
- Stop the product.
- Unlock the cam lever and move the lower tube (E) to the desired position.
- Lock the cam lever.



2. Adjust the pivoting head

Note: Adjust the string head for operating comfort or to put the trimmer into edger mode.

- Stop the product.
- Press and hold the button on the string head and pivot the tube to the desired working position.
- Release the pivoting button.



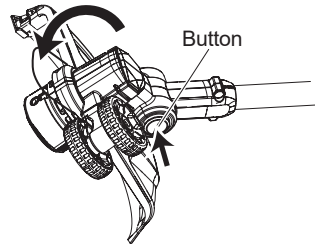
OPERATING INSTRUCTIONS

3. Transition to edging mode

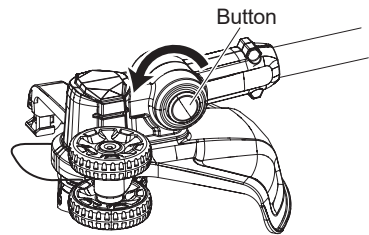
Note: You can change the trimmer to an edger to keep patios, driveways and sidewalks well groomed.

- Stop the product.
- Press and hold the button on the string head and pivot the tube so that the head and tube are aligned and flat.

3a

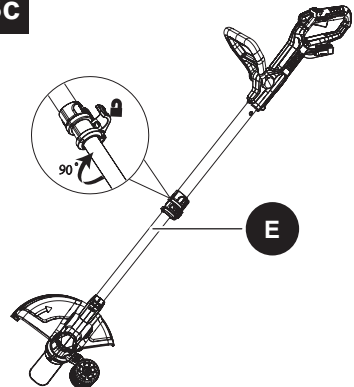


3b



- Unlock the cam lever and rotate the lower tube (E) 90 degrees until the guard is vertically aligned with the top handle.
- Lock the cam lever.

3c



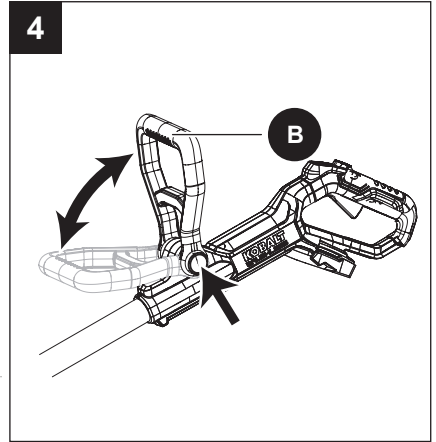
OPERATING INSTRUCTIONS

⚠ WARNING

To avoid injury, adjust the auxiliary handle for optimum control and balance. Do not overreach when operating grass trimmer. Keep proper balance at all times for better control of the tool in unexpected situations.

4. Adjust the position of the front / auxiliary handle

Press and hold the button, then adjust the auxiliary handle (B) forward or backward until it reaches a comfortable position.



OPERATING INSTRUCTIONS

⚠ WARNING

To avoid injury:

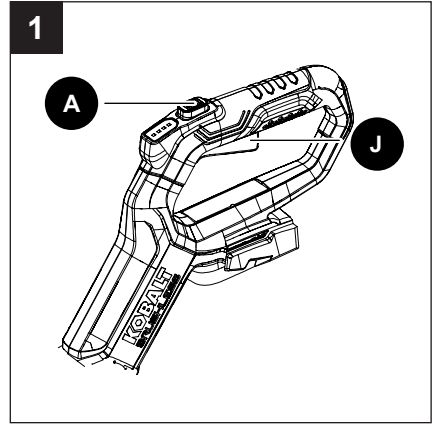
- Do not squeeze the trigger while the grass trimmer is inverted.
- Do not carry the grass trimmer with your finger on the switch. Avoid unintentional starting.

5. Starting / stopping the product

- Push the power button (A), then pull the trigger (J) to start.
- Release the trigger to stop.

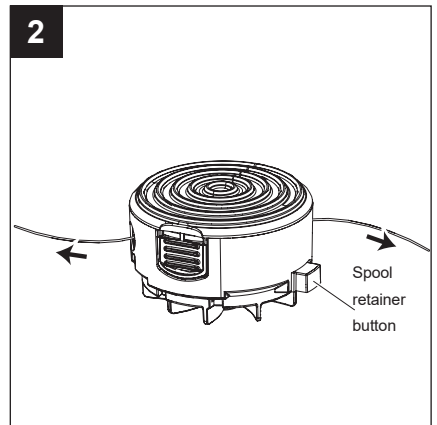
CAUTION

Always allow 5 seconds or more for the cutting line spool to stop rotating after releasing the trigger. Do not invert the grass trimmer or place your hands under the protective guard until the grass trimmer spool has come to a complete stop.



6. Adjust the length of cutting line

- Stop the product and remove the battery.
- Press the spool retainer button and pull the cutting line to manually advance it.
- After extending the cutting line, return the product to its normal operating position before reinstalling the battery and resuming use.



OPERATING INSTRUCTIONS

7. Trimmer tips

Before each use:

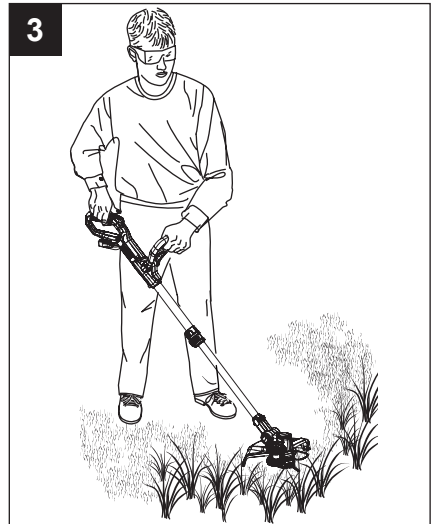
- Make sure the protective guard is tightly installed. If not, tighten the guard screws.
- Before trimming, inspect the area for string, wire, branches or other material that may become entangled in the cutting line and thrown.

Storage tips:

- Do not store the grass trimmer in sunlight, in an excessively warm place, or near a furnace.
- The battery life will be shortened.

During use:

- Trim only when the grass and weeds are dry.
- Do not trim grass at night. Always make sure you have adequate lighting.
- Hold the grass trimmer by both the switch handle and the auxiliary handle for best control and balance.
- Stand with the cutting head tipped down at an angle in front, guiding the grass trimmer in a semicircular motion around you.
- If possible, guide the grass trimmer to the left to cut. The line will cut as soon as it leaves the guard, and the clippings are thrown away from you.
- To produce a smoothly trimmed area, move the grass trimmer out of the area being cut with consistent speed and height.



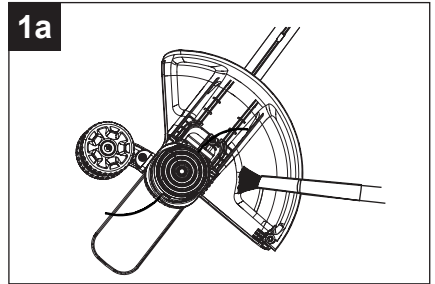
- Use only the tip of the cutting line to do the trimming, especially near walls and fences. Trimming with the side of the cutting line may overload the motor, wear out the line faster, and break the line more often.
- Do not rest the trimmer spool on the ground while trimming. This will cause spool wear and battery drain.
- If the grass is higher than 6 in. (15 cm), trim in small stages.
- When the grass trimmer is turned off and the spool stops rotating, the cutting line will relax and may recede. Feed extra cutting line before storing the trimmer to prevent losing the line completely into the spool.
- If the diameter of the cutting area gets smaller, the line is worn down and needs to be advanced more often.
- If the grass trimmer is not cutting correctly, the cutting line may not be feeding properly.
- Remove and rewind the line spool.

CARE AND MAINTENANCE

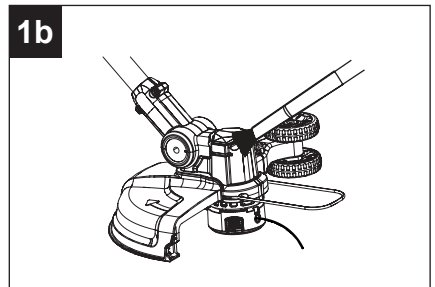
1. Trimmer guard and motor maintenance

Note: Before performing maintenance, remove battery from the tool.

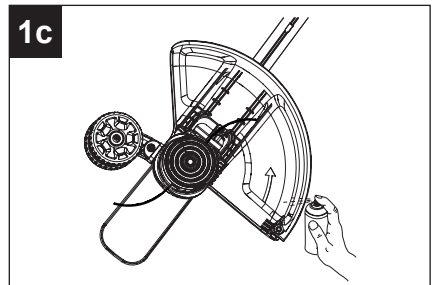
- 1a. Remove dirt and debris from guard using a paint brush (not included).



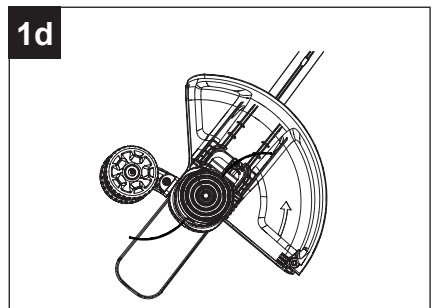
- 1b. Clean dirt and debris off of motor cover and connection joints.



- 1c. Clean line cutter blades by using a wire brush and spraying with an appropriate degreaser.



- 1d. Inspect spool cover and line to ensure that there is an adequate amount of line and that no damage is present on the spool cover.



TROUBLESHOOTING

If you still have questions or an unresolved issue after going through this troubleshooting guide, or just want to speak to a KOBALT product expert, please call our KOBALT customer service department at **888-356-2258**.

PROBLEM	POSSIBLE CAUSE	CORRECTIVE ACTION
Motor fails to start when switch trigger is depressed.	Battery is not secure.	To secure the battery, make sure the latches on the battery compartment snap into place.
	Battery is not charged.	Charge the battery according to the instructions included with your model.
	Possible wiring or electrical contact problem.	Call 888-3KOBALT (888-356-2258) for technical service.
Trimmer smokes during operation.	Trimmer damaged.	Do not use the string trimmer.
String trimmer head will not advance line.	The motor shaft or string trimmer head is bound with grass.	Stop the trimmer, remove the battery, and remove any grass.
	Not enough line in the spool.	Remove the battery and replace the trimmer line. Reference section "Cutting Line" in this manual.
	String trimmer head is dirty.	Remove the battery and clean the spool.
	Line is tangled on the spool.	Remove the battery, remove the line from the spool and rewind.
Line is not cutting well.	The cutting blade on the guard has become dull.	Sharpen the cutting blade with a file or replace it with a new blade.

WARRANTY

5-YEAR LIMITED WARRANTY

This KOBALT 24 V String Trimmer is warranted to the original purchaser from the original purchase date for five (5) years subject to the warranty coverage described herein.

This KOBALT 24 V String Trimmer is warranted for the original user to be free from defects in material and workmanship.

If you believe that the KOBALT 24V String Trimmer is defective at any time during the specified warranty period, simply return the 24 V String Trimmer along with proof of purchase to the place of purchase for a free replacement or refund, or call **888-3KOBALT (888-356-2258)** for warranty service.

This warranty is void if: defects in materials or workmanship or damages result from repairs or alterations which have been made or attempted by others or the unauthorized use of nonconforming parts; the damage is due to normal wear, damage is due to abuse (including overloading of the tool beyond capacity), improper maintenance, neglect or accident; or the damage is due to the use of the tool after partial failure or use with improper accessories or unauthorized repair or alteration.

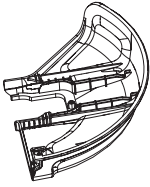
This warranty excludes spool.

This warranty gives you specific legal rights, and you may also have other rights that vary from state to state.

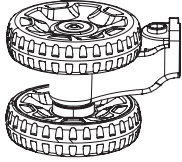
REPLACEMENT PARTS LIST

For replacement parts, call our customer service department at **888-356-2258**, 8 a.m. - 8 p.m., EST, Monday - Sunday. You may also contact us at ascs@lowes.com.

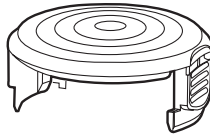
H



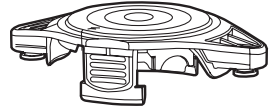
I



L



O



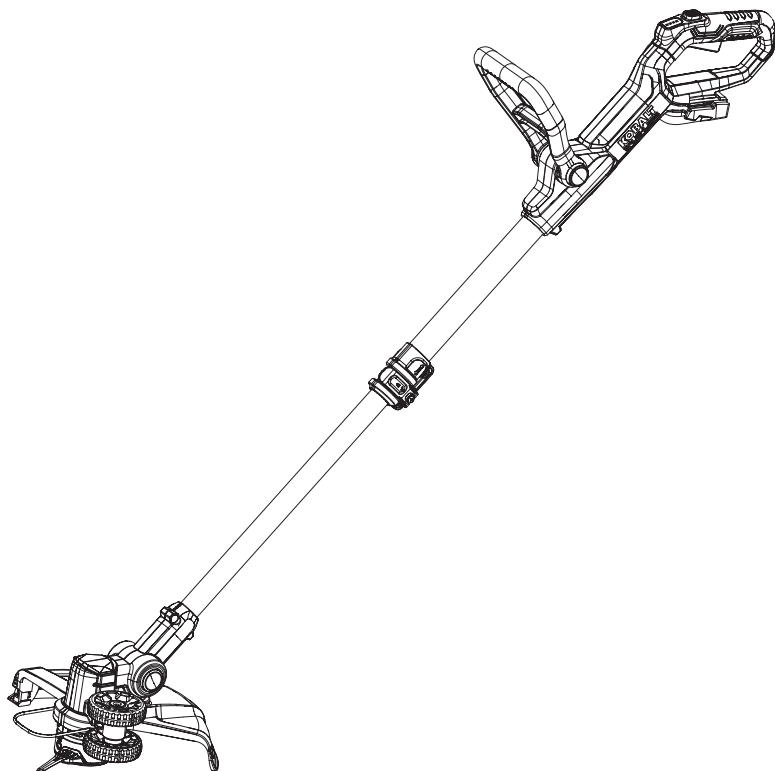
PART	DESCRIPTION	PART #
H	Guard	R0214830-00
I	Edger wheel	R0214829-00
L	Spool cover	R0214901-00
O	Plastic blade head	R0214902-00

ARTÍCULO #6036747/7915899
MODELO #KST 2024-06/KST 1224-06

KOBALT®

KOBALT y el diseño del logotipo son marcas comerciales o marcas registradas de LF, LLC. Todos los derechos reservados.

ORILLADORA/ BORDEADORA DE CÉSPED 2 EN 1 DE 24V



Número de serie _____

Fecha de compra _____

Gracias por comprar este producto KOBALT.
¿Preguntas, problemas o piezas faltantes?
Antes de devolver, póngase en contacto con nosotros en:
888-356-2258, de lunes a domingo, de 8 a.m. a 8 p.m., hora estándar del Este, o
escriba a ascs@lowes.com.

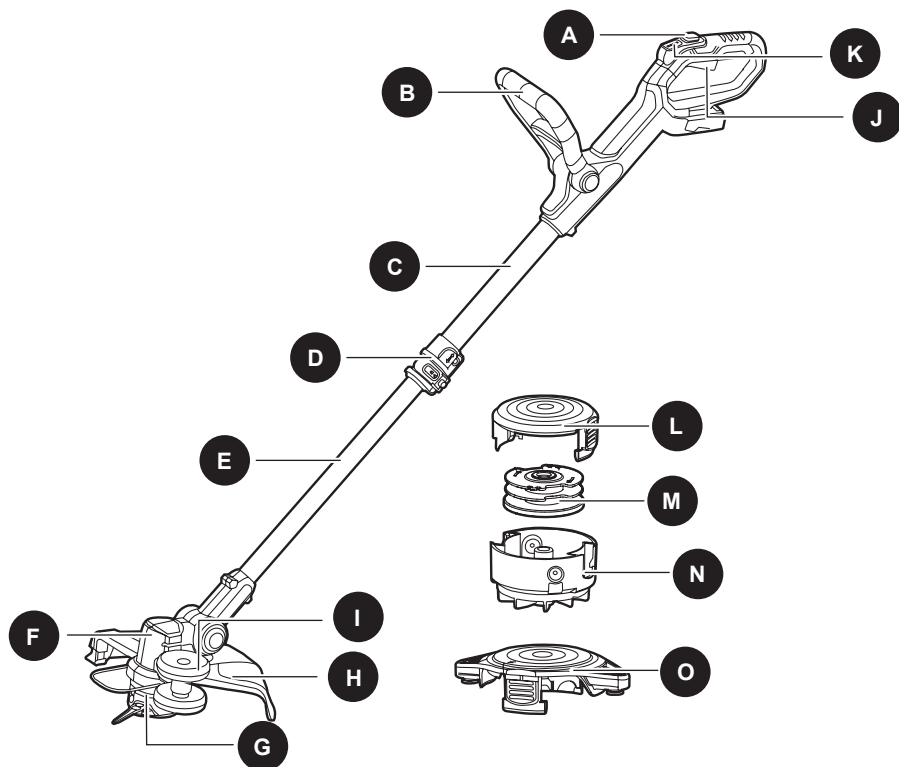
ÍNDICE

Especificaciones del producto.....	30
Contenido del paquete.....	31
Aditamentos.....	32
Símbolos.....	33
Información de seguridad.....	35
Preparación.....	40
Instrucciones de ensamblaje.....	40
Instrucciones de funcionamiento.....	47
Cuidado y mantenimiento.....	52
Solución de problemas.....	53
Garantía.....	54
Lista de piezas de repuesto.....	55

ESPECIFICACIONES DEL PRODUCTO

ESPECIFICACIONES		
Tipo de batería		Iones de litio de 24V
Velocidad sin carga	Línea de corte	7000 RPM \pm 10%
	Cuchilla plástica	7000 RPM \pm 10%
Línea de corte	Línea de corte	30.48 cm (12 pulg.)
	Cuchilla plástica	25.4 cm (10 pulg.)
Diámetro de hilo		1.65 mm (0.065 pulg.)
Capacidad de corte		Doble hilo

CONTENIDO DEL PAQUETE



PIEZA	DESCRIPCIÓN	CANTIDAD	PIEZA	DESCRIPCIÓN	CANTIDAD
A	Botón de encendido	1	J	Gatillo	1
B	Mango frontal y auxiliar	1	K	LED indicador de alimentación	1
C	Tubo superior	1	L	Cubierta del carrete	1
D	Acoplador	1	M	Carrete	1
E	Tubo inferior	1	N	Carcasa del carrete	1
F	Carcasa del motor	1	O	Cabezal de la cuchilla plástica	1
G	Cabezal de hilo	1			
H	Protector	1			
I	Rueda de la bordeadora	1			

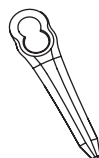
AA



Tornillo
(preensablado en el protector
(H))

Cant. 1

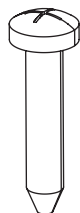
BB



Cuchilla plástica
(preensablada en el cabezal de la
cuchilla plástica (N))

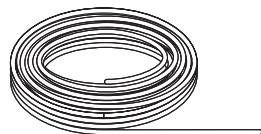
Cant. 2

CC



Tornillo
(Preensablado en la rueda de la
bordeadora (I))

Cant. 1










$\varnothing = 1.65 \text{ mm (0.065 \text{ pulg.})}$

Línea de corte
(3.04 m, 10 pies)

Cant. 2




SÍMBOLOS

Algunos de los siguientes símbolos pueden aplicarse al uso de este producto. Obsérvelos y aprenda su significado. La interpretación correcta de estos símbolos le permitirá utilizar el producto de manera eficaz y segura.


SÍMBOLOS	EXPLICACIÓN
	Indica que existe el riesgo de que se produzcan lesiones personales.
	Para reducir el riesgo de lesiones, el usuario debe leer el manual de instrucciones.
	Use protección para los ojos y los oídos.
	No lo exponga a la lluvia.
	Desconecte la batería antes de realizar mantenimiento.
	Los objetos que lanza la máquina pueden rebotar y producir lesiones personales o daños a la propiedad.
	Mantenga a los transeúntes alejados.

SÍMBOLOS

Se usan las siguientes indicaciones y sus significados para explicar los niveles de riesgo asociados a este producto.

SÍMBOLOS	INDICACIÓN	SIGNIFICADO
	PELIGRO	Indica una situación de peligro inminente que, de no evitarse, ocasionará la muerte o lesiones graves.
	ADVERTENCIA	Indica una situación potencialmente peligrosa que, de no evitarse, puede ocasionar la muerte o lesiones graves.
	PRECAUCIÓN	Indica una situación potencialmente peligrosa que, de no evitarse, puede ocasionar lesiones menores o moderadas.
	PRECAUCIÓN	(Sin símbolo de alerta de seguridad) Indica una situación que puede ocasionar daños materiales.

ADVERTENCIA

- Para evitar lesiones personales graves, no intente usar este producto hasta que haya leído y comprendido completamente este manual del propietario. Si no comprende las advertencias e instrucciones de este manual del propietario, no utilice este producto. Llame al **888-356-2258** para obtener ayuda.
-  La operación de cualquier producto puede provocar que objetos extraños salten a sus ojos y, de esta manera, se causen graves daños oculares. Antes de operar un producto, use siempre lentes o gafas de seguridad con protecciones laterales y un protector facial cuando sea necesario. Se recomienda una máscara de seguridad de visión amplia sobre los lentes o las gafas de seguridad estándar con protección lateral. Siempre use lentes de protección que cumplan con la norma ANSI Z87.1.

GUARDE ESTAS INSTRUCCIONES

Lea y comprenda completamente este manual antes de intentar ensamblar, usar o instalar el producto.

Advertencias de seguridad general para el producto

ADVERTENCIA

Lea todas las advertencias de seguridad, instrucciones, imágenes y especificaciones que se incluyen con este producto. No seguir todas las instrucciones que se detallan a continuación podría provocar choques eléctricos, incendios o lesiones graves.

Guarde todas las advertencias e instrucciones para referencia futura.

El término “producto” que aparece en las advertencias se refiere al producto que se conecta a la línea principal (con cable) o al producto que funciona con BATERÍA (inalámbrico).

1) Seguridad en el área de trabajo

a) Mantenga el área de trabajo limpia y bien iluminada. *Las áreas desordenadas u oscuras aumentan las posibilidades de accidentes.*

b) No utilice productos en atmósferas en las que exista riesgo de explosión, como por ejemplo en presencia de líquidos, gases o polvo inflamables. *Los productos producen chispas que podrían encender el polvo o el humo.*

c) Mantenga a los niños y espectadores alejados durante la operación de un producto. *Las distracciones pueden provocar que pierda el control.*

2) Seguridad eléctrica

a) Los enchufes del producto deben encajar en el tomacorriente. Nunca modifique el enchufe de ningún modo. No utilice ningún enchufe adaptador con productos con puesta a tierra. Los enchufes sin modificaciones y que encajan en los tomacorrientes reducen el riesgo de descarga eléctrica.

b) Evite el contacto del cuerpo con superficies conectadas a tierra, como tuberías, radiadores, extractores o refrigeradores. *Si su cuerpo tiene conexión a tierra, existe un riesgo mayor de sufrir una descarga eléctrica.*

c) No exponga los productos a la lluvia ni a condiciones de humedad. *Si ingresa agua en un producto, aumentará el riesgo de descarga eléctrica.*

d) No maltrate el cable. Nunca use el cable para transportar, jalar o desenchufar el producto. Mantenga el cable alejado del calor, el aceite, los bordes filosos o las piezas en movimiento. Los cables dañados o enredados aumentan el riesgo de descarga eléctrica.

e) Si opera un producto en exteriores, use una extensión eléctrica apropiada para su uso en exteriores. *El uso de un cable apto para exteriores reduce el riesgo de sufrir una descarga eléctrica.*

f) Si es inevitable utilizar un producto en un lugar húmedo, use un suministro protegido con un dispositivo de corriente residual (RCD, por sus siglas en inglés). *El uso de un RCD disminuye el riesgo de descargas eléctricas.*

3) Seguridad personal

a) Manténgase alerta, preste atención a lo que hace y utilice el sentido común cuando utilice un producto. No utilice un producto si está cansado o bajo los efectos de drogas, alcohol o medicamentos. *Un momento de desatención mientras opera productos puede provocar lesiones personales graves.*

b) Use un equipo de protección personal. Siempre use lentes de protección. *Los equipos de protección, como mascarillas antipolvo, zapatos de seguridad antideslizantes, casco protector o protección auditiva utilizados para las condiciones adecuadas disminuyen las lesiones personales.*

INFORMACIÓN DE SEGURIDAD

- c) Evite un arranque accidental. Asegúrese de que el interruptor esté en la posición de apagado antes de conectar la fuente o la batería, levantar o transportar el producto. *Transportar productos con el dedo en el interruptor o enchufarlos con el interruptor encendido aumenta las posibilidades de accidentes.*
- d) Retire todas las llaves de ajuste o llaves inglesas antes de encender el producto. *Si se deja una llave conectada a una pieza giratoria del producto, se podrían producir lesiones personales.*
- e) No se extienda demasiado. Mantenga una postura y un equilibrio adecuados en todo momento. *Esto permite un mejor control del producto en situaciones inesperadas.*
- f) Use ropa adecuada. No use ropa holgada ni joyas. Mantenga el cabello y la ropa alejados de las piezas en movimiento. *La ropa holgada, las joyas o el cabello largo pueden quedar atrapados en las piezas en movimiento.*
- g) Si se proporcionan dispositivos para la conexión de instalaciones de extracción y recolección de polvo, asegúrese de que se conecten y se usen debidamente. *La recolección de polvo puede disminuir los peligros relacionados.*
- h) No permita que la familiaridad del uso frecuente de los productos lo haga no tener en cuenta los principios de seguridad en el manejo de las herramientas. *Un descuido puede ocasionar una lesión grave en cuestión de segundos.*

4) Uso y cuidado del producto

- a) No fuerce el producto. Utilice el producto adecuado para su aplicación. *Un producto correcto hará un trabajo mejor y más seguro con un rendimiento para el cual se diseñó.*
- b) No utilice el producto si el interruptor no enciende o apaga. *Cualquier producto que no pueda controlarse con el interruptor es peligroso y debe repararse.*
- c) Desconecte el enchufe de la fuente de energía y/o retire el paquete de baterías, si es desmontable, del producto antes de realizar ajustes, cambiar accesorios o almacenar el producto. *Este tipo de medidas de seguridad preventivas reducen el riesgo de que el producto se encienda accidentalmente.*
- d) Almacene los productos que no estén en uso fuera del alcance de los niños y no permita que las personas no familiarizadas con el producto o estas instrucciones lo operen. *Los productos son peligrosos en manos de usuarios sin capacitación.*
- e) Mantenga el producto y los accesorios. Verifique si existen desalineaciones o atascamientos de las piezas móviles, roturas de componentes y cualquier otra condición que pueda afectar el funcionamiento del producto. *Si está dañado, haga reparar el producto antes de usarlo. Muchos accidentes son causados por productos con mantenimiento deficiente.*
- f) Mantenga las herramientas de corte afiladas y limpias. *Las herramientas de corte con mantenimiento adecuado y bordes de corte afilados son menos propensas a trabarse y más fáciles de controlar.*
- g) Use el producto, los accesorios, las brocas, etc. de acuerdo con estas instrucciones y considere las condiciones de operación y el trabajo que desea realizar. *El uso del producto en operaciones distintas para las que se diseñó podría crear una situación de peligro.*
- h) Mantenga los mangos y las superficies de agarre secos, limpios y sin aceite ni grasa. *Los mangos y las superficies de agarre resbaladizos no permiten manipular ni controlar la herramienta de forma segura en caso de que se produzcan situaciones inesperadas.*

5) Uso y cuidado de herramientas con batería

- a) Recargue el paquete de baterías solo con el cargador especificado por el fabricante. *Un cargador adecuado para un tipo de paquete de baterías puede generar un riesgo de incendio cuando se usa con otro paquete de baterías.*
- b) Use productos solo con paquetes de baterías designados específicamente. *El uso de cualquier otro paquete de baterías puede crear un riesgo de lesión e incendio.*

INFORMACIÓN DE SEGURIDAD

- c) Cuando el paquete de baterías no está en uso, aléjelo de objetos metálicos, como sujetapapeles, monedas, llaves, clavos, tornillos u otros objetos metálicos pequeños que pudieran crear una conexión entre los terminales. *Es posible que conectar los terminales de la batería entre sí produzca quemaduras o un incendio.*
- d) En condiciones de maltrato, es posible que salga líquido de la batería. Evite el contacto. Si entra en contacto por accidente, enjuague la zona comprometida con agua. Si el líquido entra en contacto con los ojos, busque atención médica adicional. *El líquido que sale de la batería puede provocar irritación o quemaduras.*
- e) **No use un paquete de baterías ni el producto si están dañados o modificados.** *Las baterías dañadas o modificadas pueden tener una conducta impredecible que podría provocar incendios, explosiones o riesgo de lesiones.*
- f) **No exponga el paquete de baterías ni el producto al fuego o a temperaturas excesivas.** *La exposición al fuego o a temperaturas por encima de los 130 °C (265 °F) puede causar una explosión.*
- g) **Siga todas las instrucciones de carga y no cargue el paquete de baterías o el producto fuera del rango de temperatura especificado en las instrucciones.** *La carga inadecuada o a temperaturas fuera del rango especificado podría dañar la batería y aumentar el riesgo de incendio.*

- Use solo baterías KOBALT de 24 voltios. (KB 224-03, KB 224-06, KB 324-06, KB 424-03, KXB 424-03, KB 424A-06, KB 424-06, KB 524-06, KB 524-03, KB 624-03, KB 624-06, KXB 824-03, KB 824-06).
- Use solo un cargador KOBALT de 24 voltios. (KRC 2445-03, KCH 2401-03, KDPC 124-03, KRC 2490-03, KCH 2411-03, KRC 2404-03, KCH 324-06, KCH 624-06, KCH 1024-06, KCH 1424-06).
- Rango de temperatura ambiente:
 - Rango de la temperatura de almacenaje de la orilladora: -20 °C (-4 °F) a 70 °C (158 °F)
 - Rango de la temperatura de funcionamiento de la orilladora: -20 °C (-4 °F) a 40 °C (104 °F)
 - Rango de temperatura de carga de la batería: 4 °C (39 °F) a 40 °C (104 °F)
 - Rango de temperatura de funcionamiento del cargador: 4 °C (39 °F) a 45 °C (113 °F)
 - Rango de temperatura de almacenamiento de la batería: 1 año: 0 °C (32 °F) a 23 °C (73 °F)
3 meses: 0 °C (32 °F) a 45 °C (113 °F)
1 mes: 0 °C (32 °F) a 60 °C (140 °F)
 - Rango de temperatura de descarga de la batería: -14 °C (6.8 °F) a 45 °C (113 °F)

6) Reparación

- a) **Permita que solo una persona capacitada repare el producto, mediante el uso solo de piezas de repuesto idénticas.** *Esto mantendrá la seguridad del producto.*
- b) **Nunca realice mantenimiento a los paquetes de baterías.** *Solo el fabricante o proveedores de servicio autorizados pueden realizar el mantenimiento de los paquetes de baterías.*

Advertencias de seguridad para cortadoras de césped y recortadoras de bordes de césped

- a) **No use el producto en condiciones de mal tiempo, especialmente cuando hay riesgo de tormenta eléctrica.** *Esto disminuirá el riesgo de que le caiga un rayo.*
- b) **Inspeccione minuciosamente el área donde se utilizará el producto en busca de vida silvestre.** *La fauna silvestre puede resultar herida por el producto durante su funcionamiento.*
- c) **Inspeccione minuciosamente el área donde se utilizará el producto y retire las piedras, ramas, cables, huesos y cualquier otro objeto extraño que encuentre.** *Los objetos que lance la máquina pueden ocasionar lesiones personales.*
- d) **Antes de usar el producto, siempre realice una inspección visual para comprobar que el cortador y su ensamble no estén dañados.** *Las piezas dañadas aumentan el riesgo de lesiones.*

- f) Mantenga los protectores en su lugar. Los protectores deben estar en buen estado de funcionamiento y montados correctamente.** *Un protector flojo, dañado o que no funcione correctamente puede provocar lesiones personales.*
- g) Mantenga todas las entradas de aire de refrigeración libres de desechos.** *Las entradas de aire bloqueadas y los desechos pueden provocar sobrecalentamiento o riesgo de incendio.*
- h) Use protección para los ojos, las orejas, la cabeza y las manos.** *El equipo de protección adecuado reducirá las lesiones personales.*
- i) Mientras utilice el producto, utilice siempre calzado protector antideslizante. No use el producto estando descalzo o al usar sandalias abiertas.** *Esto reduce la posibilidad de lesiones en los pies por el contacto con los cortadores en movimiento.*
- j) Utilice siempre ropa, como pantalones, que cubra las piernas del operador mientras opera el producto.** *El contacto con el cortador o el hilo en movimiento puede causar lesiones.*
- k) Mantenga alejados a los transeúntes mientras utiliza el producto.** *Los desechos eyectados pueden ocasionar lesiones personales graves.*
- l) No utilice el producto por encima de la altura de la cintura.** *Esto ayuda a evitar el contacto involuntario con el cortador y permite un mejor control del producto en situaciones inesperadas.*
- m) Tenga cuidado al utilizar el producto sobre césped mojado. Camine; no corra.** *Esto reduce el riesgo de resbalones y caídas que pueden provocar lesiones personales.*
- n) No opere el producto en pendientes excesivamente pronunciadas.** *Esto reduce el riesgo de pérdida de control, resbalones y caídas que pueden provocar lesiones personales.*
- o) Cuando trabaje en pendientes, asegúrese siempre de pisar fuerte, trabaje siempre de frente a las pendientes, nunca hacia arriba o hacia abajo, y tenga mucho cuidado al cambiar de dirección.** *Esto reduce el riesgo de pérdida de control, resbalones y caídas que pueden provocar lesiones personales.*
- p) Mantenga todos los cables de alimentación alejados del área de corte.** *Los cables de alimentación pueden estar ocultos en arbustos o setos, y pueden cortarse o dañarse accidentalmente con el hilo o el cortador.*
- q) Mantenga todas las partes del cuerpo alejadas del cortador o el hilo en movimiento. No retire el material del producto hasta que se haya desconectado de la fuente de alimentación.** *El cortador o el hilo en movimiento pueden provocar lesiones personales graves.*
- r) Transporte el producto estando apagado y lejos del cuerpo.** *El manejo adecuado del producto reducirá la probabilidad de un contacto accidental con un cortador o una línea en movimiento.*
- s) Utilice únicamente cabezales de corte y cortadores o hilos de repuesto especificados por el fabricante. No reemplace los cortadores o hilos por alambres o cuchillas de metal.** *Las piezas de repuesto incorrectas pueden causar pérdida de control, roturas y lesiones.*
- **Mantenga alejados a los transeúntes mientras utiliza el producto.** *Los desechos eyectados pueden ocasionar lesiones personales graves.*
 - **Utilice siempre ambas manos al operar el producto.** *Si sostiene el producto con ambas manos evitará la pérdida de control.*
 - **Sostenga el producto solo por las áreas de agarre, porque la línea de corte o la cuchilla pueden entrar en contacto con cableado oculto o con su propio cable.** *El contacto de la línea de corte o de las cuchillas con un cable "energizado" puede hacer que las piezas metálicas expuestas del producto queden energizadas y podrían provocar una descarga eléctrica al operador.*
 - **Mantenga una posición de pies adecuada en todo momento y utilice el producto solo cuando esté parado.** *Las superficies resbalosas o inestables pueden provocar una pérdida de equilibrio o control del producto.*
 - **No opere el producto en pendientes excesivamente pronunciadas.** *Esto reduce el riesgo de pérdida de control, resbalones y caídas que pueden provocar lesiones personales.*
 - **Cuando trabaje en pendientes, asegúrese siempre de pisar fuerte, trabaje siempre de frente a las pendientes, nunca hacia arriba o hacia abajo, y tenga mucho cuidado al cambiar de dirección.** *Esto reduce el riesgo de pérdida de control, resbalones y caídas que pueden provocar*

INFORMACIÓN DE SEGURIDAD

lesiones personales.

- **Mantenga todas las partes del cuerpo alejadas del cortador, de la línea de corte y de la hoja mientras el producto esté en funcionamiento. Antes de arrancar el producto, asegúrese de que el cortador, la línea de corte y la hoja no estén en contacto con nada.** *Un momento de desatención mientras opera el producto puede provocar lesiones a usted o a otras personas.*
- **Mantenga el control del producto y no toque los cortadores, las líneas o las cuchillas, ni otras piezas móviles peligrosas mientras estén en movimiento.** *Esto reduce el riesgo de lesiones por las piezas móviles.*
- **Transporte el producto estando apagado y lejos del cuerpo.** *El manejo adecuado del producto reducirá la probabilidad de un contacto accidental con un cortador, una línea o una cuchilla en movimiento.*
- **Utilice únicamente cortadores, líneas de corte, cabezales de corte y cuchillas de repuesto especificados por el fabricante.** *Las piezas de repuesto incorrectas pueden aumentar el riesgo de rotura y lesiones.*
- **Al retirar el material atascado o realizar mantenimiento al producto, asegúrese de que todos los interruptores de alimentación estén apagados y de haber desconectado el cable de alimentación.** *El arranque inesperado del producto mientras se limpia el material atascado o se realiza el mantenimiento puede provocar lesiones personales graves.*

Seguridad infantil

Pueden ocurrir accidentes trágicos si el operador no está atento a la presencia de niños.

- Mantenga a los niños fuera del área de trabajo y bajo estricta vigilancia de un adulto responsable.
- No permita que niños menores de 14 años usen esta orilladora. Los niños de 14 años o más deben leer y comprender las instrucciones de funcionamiento y las normas de seguridad en este manual, además de recibir capacitación y supervisión por parte de sus padres.
- Esté alerta y apague la orilladora si un niño o cualquier otra persona ingresan al área de trabajo.
- Antes y mientras se está moviendo hacia atrás, mire hacia abajo y hacia atrás para verificar que no haya niños.
- Tenga extremo cuidado cuando se acerque a esquinas ciegas, entradas de puertas, arbustos, árboles u otros objetos que puedan bloquearle la vista de un niño que pudiera correr hacia la orilladora.

ADVERTENCIA (PROPUESTA 65)

Parte del polvo causado por el lijado eléctrico, el serruchado, la trituración, el taladrado y otras actividades de la construcción contienen productos químicos que causan cáncer, defectos congénitos u otros daños en el aparato reproductivo. Algunos ejemplos de estos productos químicos son:

- Plomo de pinturas a base de plomo.
- Sílice cristalina de ladrillos, cemento y otros productos de mampostería, y
- Arsénico y cromo de madera tratada con químicos.

El riesgo que corre debido a la exposición a estos productos químicos varía según la frecuencia con que realiza este tipo de trabajo. Para reducir su exposición a estos productos químicos, trabaje en un área bien ventilada y utilice un equipo de seguridad aprobado, como las mascarillas antipolvo especialmente diseñadas para filtrar estas partículas microscópicas.

SERVICIO

El mantenimiento requiere sumo cuidado y conocimiento, y solo un técnico de servicio calificado debe realizarlo. Para realizar el mantenimiento, le recomendamos llevar el producto al DEPARTAMENTO DE SERVICIO AUTORIZADO más cercano para su reparación. Al realizar mantenimiento, utilice solo piezas de repuesto idénticas.

GUARDE ESTAS INSTRUCCIONES

PREPARACIÓN

Antes de comenzar a ensamblar el producto, asegúrese de tener todas las piezas. Compare las piezas con la lista del contenido del paquete y la lista de aditamentos. No intente ensamblar el producto si falta alguna pieza o si estas están dañadas.

Tiempo estimado de ensamblaje: 5 a 10 minutos

Herramientas necesarias para el ensamblaje (no se incluyen): destornillador Phillips

INSTRUCCIONES DE ENSAMBLAJE

⚠ ADVERTENCIA

Para evitar lesiones y disminuir el riesgo de descargas eléctricas o incendio:

- Reemplace inmediatamente la batería o el cargador si la funda de la batería o el cable del cargador están dañados.
- Siempre asegúrese de que el interruptor de la orilladora esté apagado antes de insertar o retirar la batería.
- Asegúrese siempre de retirar la batería y de que el interruptor esté apagado antes de inspeccionar, ajustar o dar mantenimiento a cualquier pieza de la orilladora.
- Lea, comprenda y siga las instrucciones del cargador de la batería.

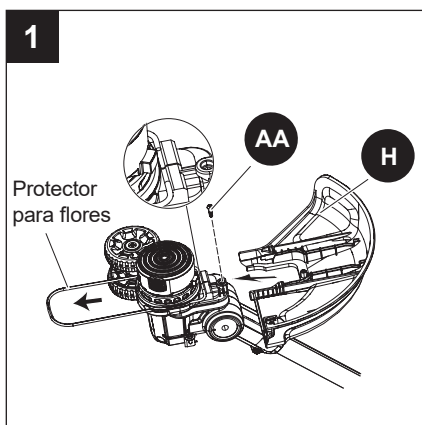
1. Instalación del protector

PRECAUCIÓN

Para evitar lesiones, retire siempre la batería antes de instalar el protector, cambiar un hilo de corte o realizar cualquier ajuste. Si el protector está dañado, no utilice la orilladora hasta reemplazarlo.

Nota: instale el protector antes de operar la orilladora. No se debe retirar ni desmontar.

- Tire del protector de flores hasta que el extremo abierto esté en las ranuras.
- Con un destornillador Phillips (no incluido), retire el tornillo (AA) del protector de la orilladora.
- Inserte el protector de la orilladora (H) en el cabezal de la orilladora.
- Alinee el orificio para tornillo del protector de la orilladora (H) con el orificio para tornillo del cabezal de la orilladora.
- Con un destornillador Phillips (no se incluye), apriete firmemente el tornillo (AA).



Aditamentos utilizados

AA Tornillo

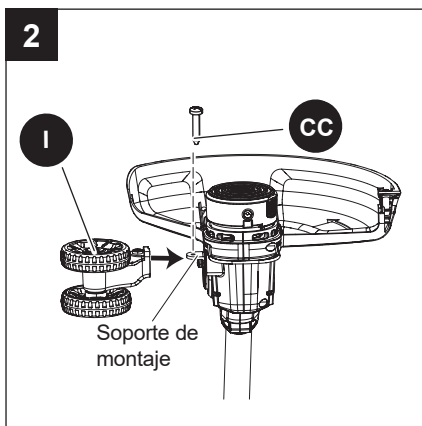


x 1

INSTRUCCIONES DE ENSAMBLAJE

2. Instalación de la rueda de la bordeadora

- Con un destornillador Phillips (no incluido), retire el tornillo (AA) de la rueda de la bordeadora.
- Deslice la rueda de la bordeadora (I) sobre el soporte de montaje en el costado del cabezal de la orilladora.
- Alinee el orificio para tornillo de la rueda de la bordeadora con el orificio para tornillo del cabezal de la orilladora.
- Con un destornillador Phillips (no se incluye), apriete firmemente los tornillos.



Aditamentos utilizados

AA Tornillo



x 1

INSTRUCCIONES DE ENSAMBLAJE

3. Reemplazo de la línea de corte

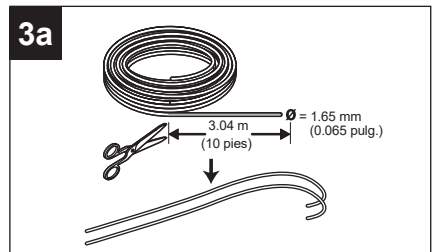
Se ha instalado previamente un carrete de hilo de corte en la orilladora. Cuando los hilos de corte requieran reemplazo, rebobine el hilo nuevo en el carrete existente.

PRECAUCIÓN

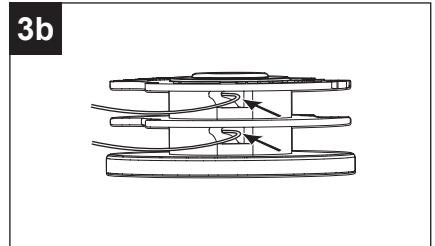
Para evitar lesiones, retire siempre la batería antes de instalar el protector, cambiar un hilo de corte o realizar cualquier ajuste.

Nota: quite el hilo restante en el carrete. Solo compatible con hilo de corte de nailon hasta 1.65 mm (0.065 pulg.) de diámetro.

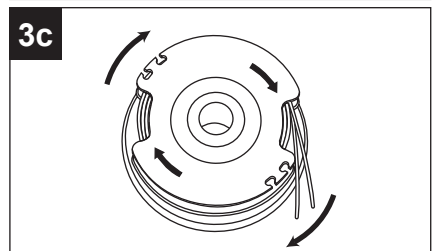
- Corte dos trozos de hilo de corte de aproximadamente 3.04 m (10 pies) de largo.
- Doble un extremo de la línea 6.35 mm (1/4 pulg.).



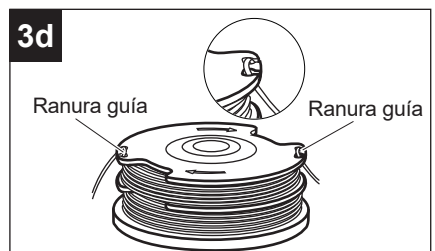
- Inserte las líneas en los orificios de las anclas de expansión del carrete.



- Enrolle ambos hilos de corte alrededor del carrete firmemente en la dirección indicada.
- Asegúrese de mantener cada línea de corte en sus respectivas ranuras.

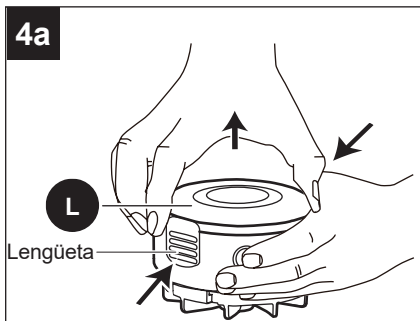


- Coloque la línea de corte en la ranura guía.
- No enrolle el hilo de corte más allá del borde del carrete.



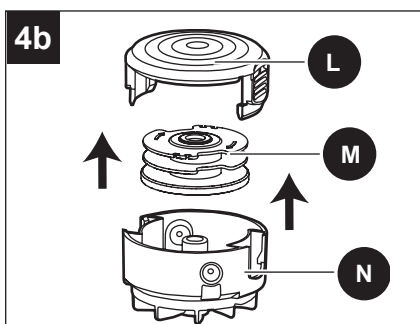
4. Reemplazo del carrete

- Presione las pestañas de cada lado del cabezal de corte al mismo tiempo.

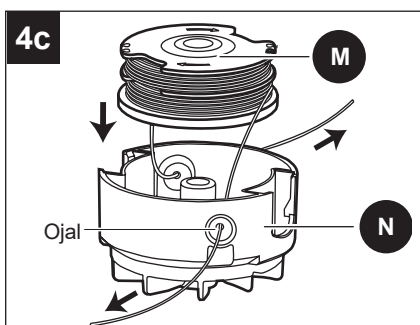


- Jale y retire la cubierta del carrete (L).
- Retire el carrete restante (M).
- Coloque el nuevo carrete en la carcasa del carrete (N).

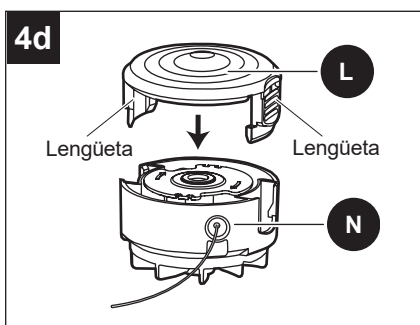
Nota: asegúrese de que la línea de corte esté en la ranura guía del nuevo carrete y se extienda aproximadamente 12.7 cm antes de instalar el nuevo carrete.



- Inserte el extremo de cada línea de corte a través de los ojales provistos.

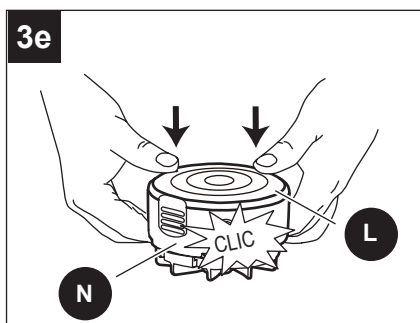


- Extienda la línea de corte para liberarla de la ranura guía en el carrete (M).
- Presione las pestañas e instale la cubierta del carrete (L) en la carcasa del carrete (N).



INSTRUCCIONES DE ENSAMBLAJE

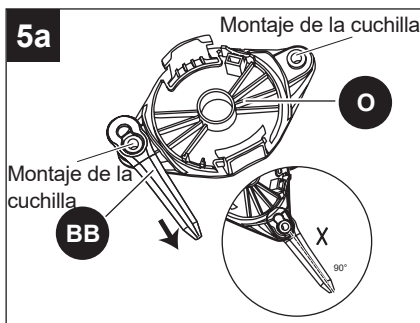
- Empuje la cubierta del carrete (L) hasta que encaje en su posición.



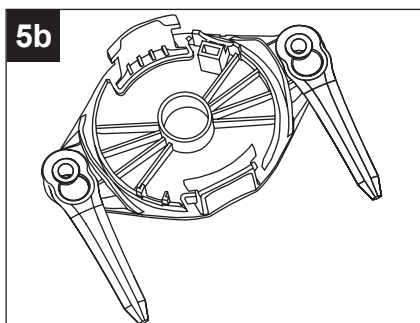
5. Reemplazo de la cuchilla plástica

Nota: no inserte la cuchilla plástica verticalmente. Para evitar que el producto vibre, es necesario instalar cuchillas en ambos lados del cabezal de las cuchillas plásticas para un uso normal.

- Coloque la abertura más grande de la cuchilla en el soporte de la cuchilla en el cabezal de la cuchilla plástica (O).
- Jale de la cuchilla (BB) hacia afuera en la dirección de la flecha hasta que encaje en la abertura más pequeña.



- Coloque otra cuchilla en el otro soporte de cuchilla.



Aditamentos utilizados

BB Cuchilla plástica

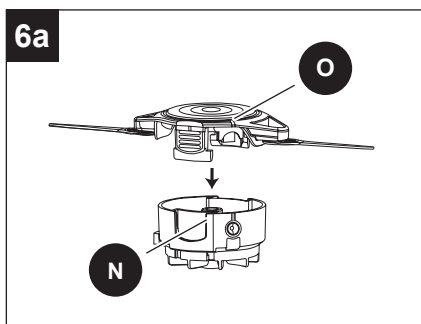


x 2

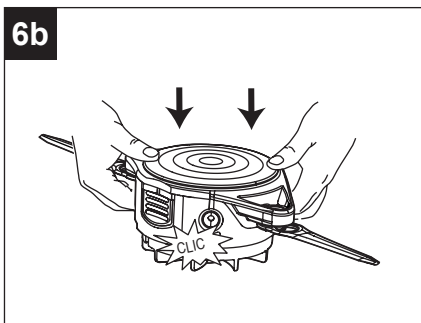
6. Reemplazo del cabezal de la cuchilla plástica

Nota: asegúrese de que todas las piezas (incluido el carrete, las líneas y otros residuos) se hayan quitado antes de volver a colocar el cabezal de la cuchilla plástica para que las cuchillas plásticas se puedan utilizar correctamente.

- Presione las pestañas e instale el cabezal de la cuchilla plástica (O) en la carcasa del carrete (N).



- Presione el ensamble del cabezal de la cuchilla plástica (O) hasta que encaje en su posición.



7. Instalación y remoción de la batería

IMPORTANTE

La batería no está cargada cuando se compra. Antes de usar la orilladora por primera vez, coloque la batería en el cargador de baterías y cárguelo.

Para instalar la batería

- Asegúrese de que la batería esté completamente cargada.
- Empuje la batería en la ranura de la batería. La batería se bloquea en su posición cuando escucha un clic.

Para retirar la batería

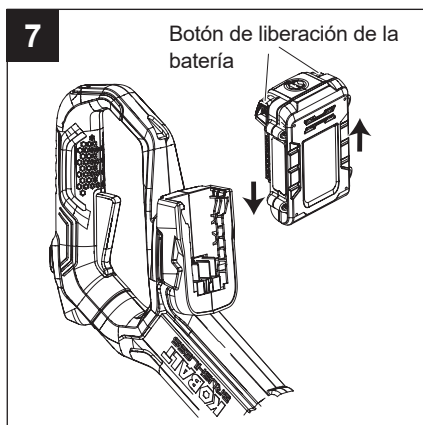
- Suelte el gatillo.
- Presione los botones de liberación de la batería y extraiga la batería para detener completamente su funcionamiento.

Nota: el paquete de baterías se ajusta primero en el mango bien sujeto, de modo que se evite el desprendimiento accidental.

⚠ ADVERTENCIA

Siga estas instrucciones para evitar lesiones y reducir el riesgo de descarga eléctrica o incendio:

- Reemplace la batería inmediatamente si la funda de la batería está dañada.
- Verifique que el interruptor esté en la posición de apagado antes de insertar o retirar la batería.
- Verifique que haya retirado la batería y que el interruptor esté en la posición de apagado antes de inspeccionar, ajustar o realizar mantenimiento en cualquier pieza de la orilladora.

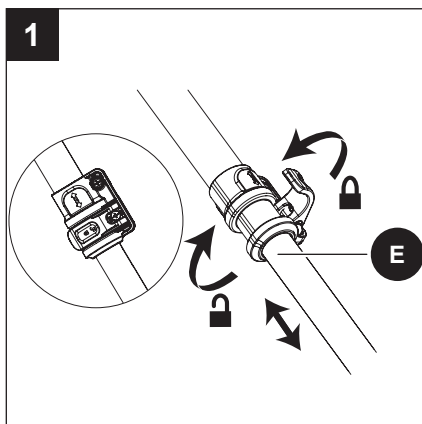


INSTRUCCIONES DE FUNCIONAMIENTO

1. Ajuste el largo de los tubos de la orilladora

Nota: puede ajustar el largo de los tubos de la orilladora para operar el producto fácilmente.

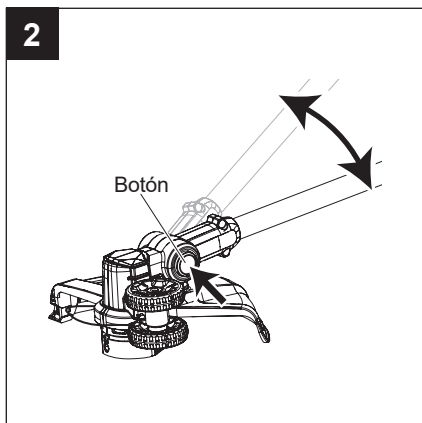
- Detenga el producto.
- Desbloquee la palanca de la leva y mueva el tubo inferior (E) a la posición deseada.
- Bloquee la palanca de leva.



2. Ajuste el cabezal pivotante

Nota: ajuste el cabezal del hilo para una operación cómoda o para colocar la orilladora en modo bordeadora.

- Detenga el producto.
- Mantenga presionado el botón en el cabezal del hilo y gire el tubo a la posición de trabajo deseada.
- Suelte el botón de giro.



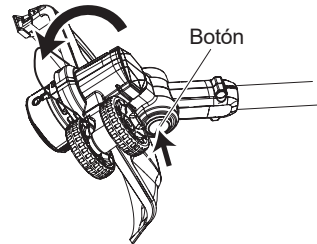
INSTRUCCIONES DE FUNCIONAMIENTO

3. Transición al modo bordeadora

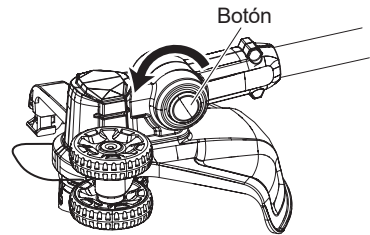
Nota: puede cambiar la orilladora a una bordeadora para mantener patios, entradas de garaje y aceras bien arreglados.

- Detenga el producto.
- Mantenga presionado el botón en el cabezal del hilo y gire el tubo de manera que el cabezal y el tubo queden alineados y planos.

3a

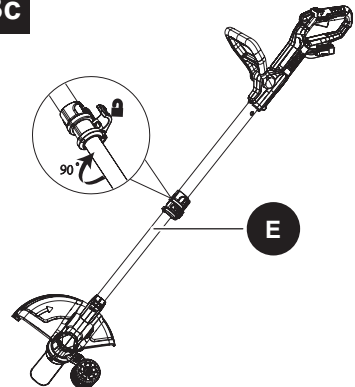


3b



- Desbloquee la palanca de la leva y gire el tubo inferior (E) 90 grados hasta que el protector esté alineado verticalmente con el mango superior.
- Bloquee la palanca de leva.

3c

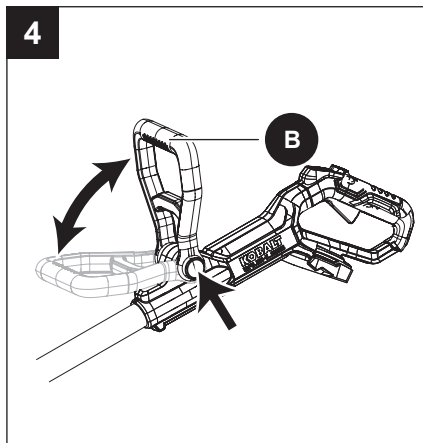


⚠ ADVERTENCIA

Para evitar lesiones, ajuste el mango auxiliar para obtener un equilibrio y un control óptimos. No se incline demasiado cuando opere la orilladora. Mantenga el equilibrio todo el tiempo para controlar mejor la herramienta en situaciones inesperadas.

4. Ajuste la posición del mango delantero/ auxiliar

- Mantenga presionado el botón y luego ajuste el mango auxiliar (B) hacia adelante o hacia atrás hasta que alcance una posición cómoda.



INSTRUCCIONES DE FUNCIONAMIENTO

⚠ ADVERTENCIA

Para evitar lesiones:

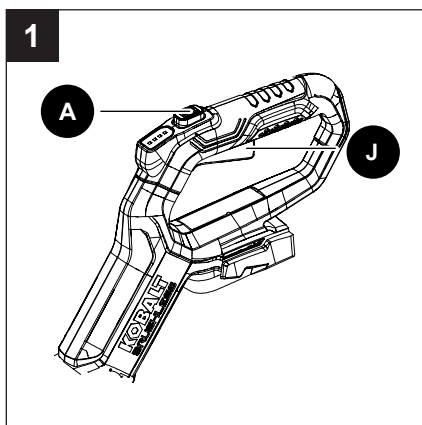
- No apriete el gatillo cuando la orilladora está invertida.
- No traslade la orilladora con el dedo en el interruptor. Evite los encendidos accidentales.

5. Arranque y detención del producto

- Presione el botón de encendido (A), luego apriete el gatillo (J) para comenzar.
- Libere el gatillo para detenerse.

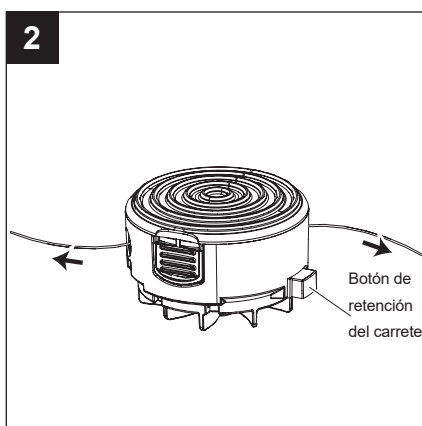
PRECAUCIÓN

Después de soltar el gatillo, siempre espere 5 segundos o más hasta que el carrete de hilo de corte se detenga. No invierta la orilladora ni coloque las manos debajo del protector hasta que el carrete de la orilladora se haya detenido por completo.



6. Ajuste el largo del hilo de corte

- Detenga el producto y retire la batería.
- Presione el botón de retención del carrete y jale de la línea de corte para avanzarla manualmente.
- Después de extender la línea de corte, regrese el producto a su posición de funcionamiento normal antes de volver a instalar la batería y reanudar su uso.



3. Consejos de la orilladora

Antes de cada uso:

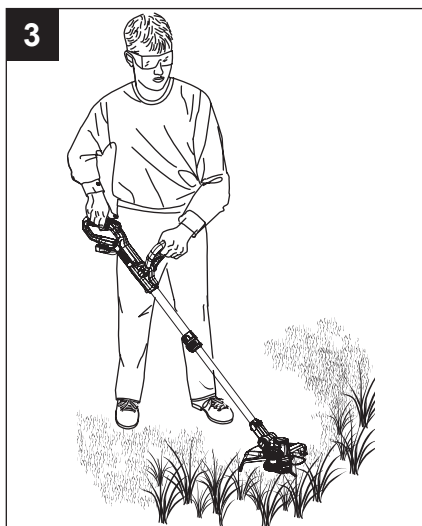
- Asegúrese de que el protector esté bien instalado. De lo contrario, apriete los tornillos del protector.
- Antes de utilizar la herramienta, revise el área para verificar que no haya cuerdas, alambres, ramas u otros materiales que puedan enredarse en el hilo de corte o que puedan salir disparados.

Consejos para el almacenamiento:

- No guarde la orilladora a la luz del sol, en un lugar excesivamente cálido o cerca de una caldera.
- La duración de la batería se reducirá.

Durante el uso:

- Corte el césped y las malezas solo cuando estén secas.
- No corte el césped de noche. Asegúrese siempre de tener una iluminación adecuada.
- Sostenga la orilladora por ambos mangos y utilice el mango auxiliar para obtener un mejor control y equilibrio.
- Párese con el cabezal de corte inclinado en un ángulo hacia abajo y hacia el frente, y realice movimientos semicirculares alrededor suyo con la orilladora.
- Si es posible, guíe la orilladora hacia la izquierda para cortar. El hilo se cortará tan pronto como salga del protector y los recortes se arrojarán lejos de usted.
- Para cortar un área de manera uniforme, mueva la orilladora hacia fuera del área que está cortando y mantenga una altura y una velocidad consistentes.

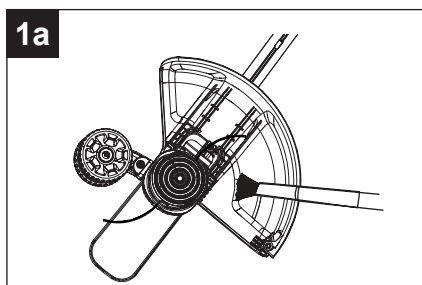


- Utilice solo la punta del hilo de corte para cortar, especialmente cerca de paredes y cercos. Si utiliza la parte lateral del hilo de corte para cortar, puede sobrecalentar el motor, desgastar el hilo más rápido o romperlo más seguido.
- No apoye el carrete de la orilladora sobre el piso mientras corta. Esto hará que se desgaste el carrete y se agote la batería.
- Si el césped tiene más de 15.24 cm (6 pulg.) de altura, córtelo en pequeñas etapas.
- Cuando se apaga la orilladora y el carrete deja de girar, el hilo de corte se relajará y puede retroceder. Alimente hilo de corte adicional antes de guardar la orilladora para evitar que el hilo se pierda completamente en el carrete.
- Si el diámetro del área de corte se reduce, el hilo se desgasta y es necesario avanzar con más frecuencia.
- Si la orilladora no corta de forma correcta, es posible que no se esté alimentando el hilo de corte correctamente.
- Retire y rebobine el carrete de hilo.

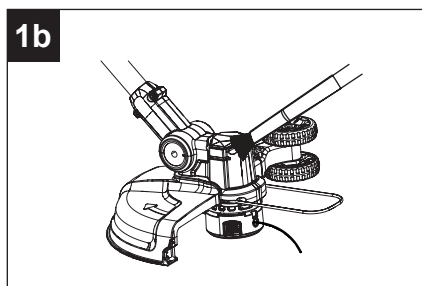
1. Mantenimiento del protector y el motor de la orilladora

Nota: antes de realizar mantenimiento, retire la batería de la herramienta.

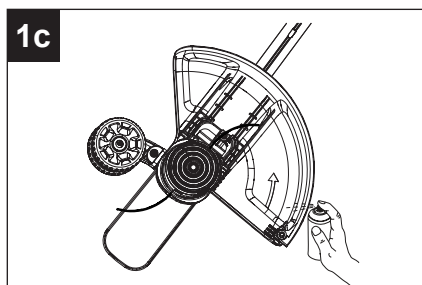
- 1a. Elimine la suciedad y los desechos del protector con una brocha (no incluida).



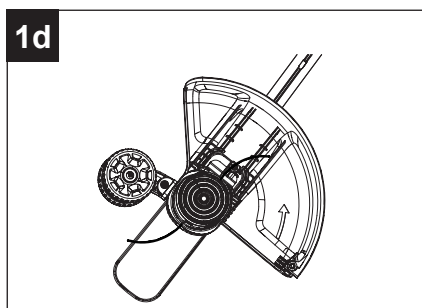
- 1b. Limpie la suciedad y los desechos de la cubierta del motor y de las juntas de conexión.



- 1c. Limpie las cuchillas de corte del hilo con un cepillo de alambre y rocíe con un desengrasante adecuado.



- 1d. Inspeccione la cubierta del carrete y el hilo para asegurarse de que haya una cantidad adecuada de hilo y que no haya daños en la cubierta del carrete.



SOLUCIÓN DE PROBLEMAS

Si todavía tiene preguntas o un problema no resuelto después de leer esta guía de solución de problemas, o si simplemente desea hablar con un experto en productos KOBALT, llame a nuestro Departamento de Servicio al Cliente de KOBALT al **888-356-2258**.

PROBLEMA	CAUSA POSIBLE	ACCIÓN CORRECTIVA
El motor no arranca cuando se presiona el gatillo del interruptor.	La batería no está segura.	Para asegurar la batería, asegúrese de que los pestillos del compartimiento de la batería encajen en su lugar.
	La batería no está cargada.	Cargue la batería según las instrucciones incluidas con su modelo.
	Posible problema de cableado o de contactos eléctricos.	Llame al servicio técnico al 888-3KOBALT (888-356-2258) .
La orilladora humea durante la operación.	La orilladora está dañada.	No utilice la orilladora.
El cabezal de la orilladora no avanza el hilo.	El eje del motor o el cabezal de la orilladora están atascados con césped.	Detenga la orilladora, retire la batería y quite el césped.
	No hay suficiente hilo en el carrete.	Retire la batería y reemplace el hilo de la orilladora. Consulte la sección "Hilo de corte" en este manual.
	El cabezal de orilladora está sucio.	Retire la batería y limpie el carrete.
	El hilo está enredado en el carrete.	Retire la batería, retire el hilo del carrete y rebobine.
El hilo no corta bien.	La cuchilla de corte del protector ha perdido filo.	Afile la cuchilla de corte con una lima o reemplácela con una cuchilla nueva.

GARANTÍA

5 AÑOS DE GARANTÍA LIMITADA

Esta orilladora KOBALT de 24V está garantizada para el comprador original desde la fecha de compra original durante cinco (5) años y está sujeta a la cobertura de garantía que se describe en el presente.

Esta orilladora KOBALT de 24V tiene una garantía para el usuario original contra defectos en los materiales y la mano de obra.

Si cree que la orilladora KOBALT de 24V está defectuosa en cualquier momento durante el período de garantía especificado, simplemente devuélvala junto con el comprobante de compra al lugar de compra para obtener un reemplazo o un reembolso gratuito, o llame al **888-3KOBALT (888-356-2258)** para obtener el servicio de garantía.

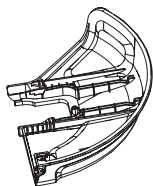
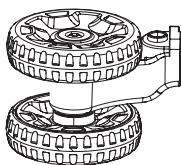
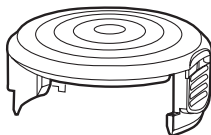
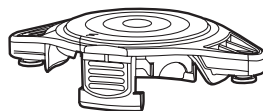
Esta garantía es nula si: los defectos en los materiales o la mano de obra o los daños han sido causados por reparaciones o modificaciones hechas o que se hayan intentado hacer por parte de terceros o el uso no autorizado de piezas incompatibles; el daño es debido al desgaste normal; el daño es debido al abuso (lo que incluye la sobrecarga de la herramienta por encima de su capacidad), mantenimiento inadecuado, negligencia o accidente; o el daño es debido al uso de la herramienta después de una falla parcial, el uso con accesorios inadecuados o reparaciones o alteraciones no autorizadas.

Esta garantía no incluye el carrete.

Esta garantía le otorga derechos legales específicos, pero podría tener también otros derechos que varían según el estado.

LISTA DE PIEZAS DE REPUESTO

Para obtener piezas de repuesto, llame a nuestro Departamento de Servicio al Cliente al **888-356-2258**, de lunes a domingo de 8 a.m. a 8 p.m., hora estándar del Este. También puede ponerse en contacto con nosotros a través de ascs@lowes.com.

H**I****L****O**

PIEZA	DESCRIPCIÓN	PIEZA #
H	Protector	R0214830-00
I	Rueda de la bordeadora	R0214829-00
L	Cubierta del carrete	R0214901-00
O	Cabezal de la cuchilla plástica	R0214902-00

Rev B



P0806993-03



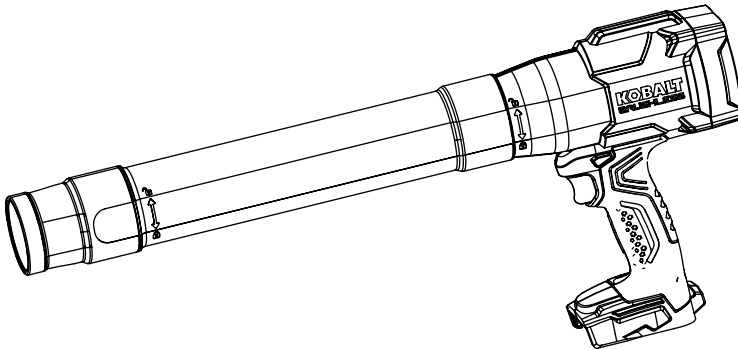
ITEM #7915895/6036645
MODEL #KHB 2524-06/KHB 324-06

24 V BRUSHLESS BLOWER

Español p. 16

ATTACH YOUR RECEIPT HERE

KOBALT and logo design are trademarks or registered trademarks of LF, LLC. All rights reserved.



Serial Number _____

Purchase Date _____

Thank you for purchasing this **KOBALT** product.
Questions, problems or missing parts?
Before returning, contact us on:
888-356-2258, 8 a.m. - 8 p.m., EST, Monday - Sunday or ascs@lowes.com.

SG251057

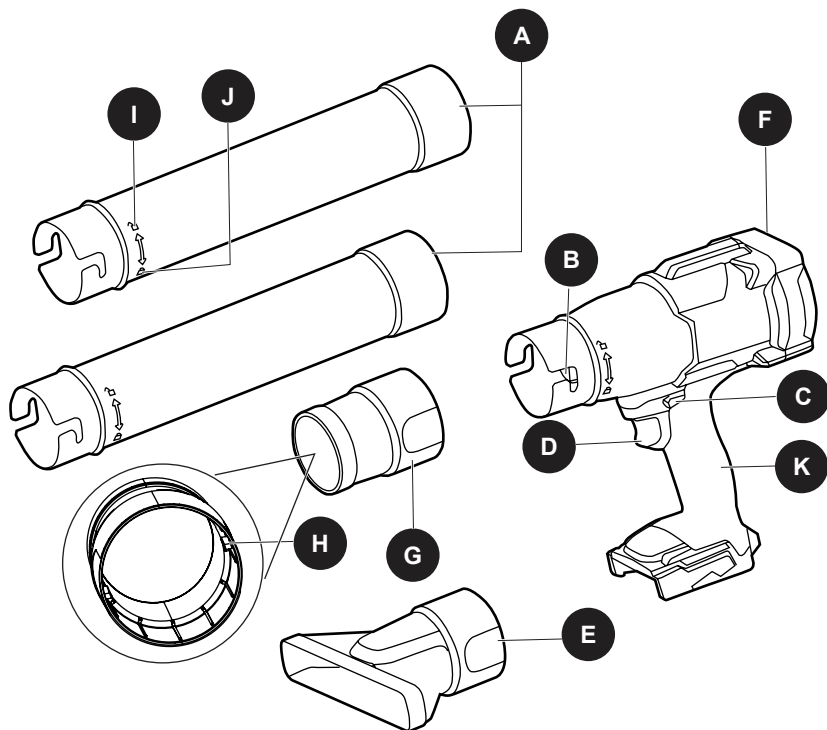
TABLE OF CONTENTS

Product Specifications.....	2
Package Contents.....	3
Symbols.....	4
Safety Information.....	5
Preparation.....	8
Assembly Instructions.....	9
Operating Instructions.....	11
Care and Maintenance	12
Troubleshooting	13
Warranty.....	14
Replacement Parts List.....	15

PRODUCT SPECIFICATIONS

SPECIFICATIONS	
Voltage	24 V DC
Air volume	270 CFM
Air speed	130 MPH

PACKAGE CONTENTS








PART	DESCRIPTION	QUANTITY
A	Blower tube	2
B	Slot	1
C	Lock-on button	1
D	Trigger	1
E	Wide nozzle	1
F	Air inlet port	1




PART	DESCRIPTION	QUANTITY
G	Speed tip	1
H	Tab	2
I	Unlock icon	1
J	Lock icon	1
K	Trigger handle	1

SYMBOLS


Some of the following symbols may be used on this product. Please study them and learn their meaning. Proper interpretation of these symbols will allow you to operate the product better and safer.

SYMBOLS	EXPLANATION
	To reduce the risk of injury, user must read instruction manual.
	Keep bystanders away.
	Do not expose to rain.
	Wear eye and ear protection.
	Disconnect battery before maintenance.

The following signal words and meanings are intended to explain the levels of risk associated with this product.

SYMBOL	SIGNAL	MEANING
	DANGER	Indicates an imminently hazardous situation, which, if not avoided, will result in death or serious injury.
	WARNING	Indicates a potentially hazardous situation, which, if not avoided, could result in death or serious injury.
	CAUTION	Indicates a potentially hazardous situation, which, if not avoided, may result in minor or moderate injury.
	CAUTION	(Without Safety Alert Symbol) Indicates a situation that may result in property damage.

WARNING

- To avoid serious personal injury, do not attempt to use this product until you have read this owner's manual thoroughly and understand it completely. If you do not understand the warnings and instructions in this owner's manual, do not use this product.
Call **888-356-2258** for assistance.
-  The operation of any product can result in foreign objects being thrown into your eyes, which can result in severe eye damage. Before operating a product, always wear safety goggles, safety glasses with side shields, or a full-face shield when needed. A Wide Vision Safety Mask is recommended for use over eyeglasses or standard safety glasses with side shields. Always use eye protection that is marked to comply with ANSI Z87.1.

SAFETY INFORMATION

Please read and understand this entire manual before attempting to assemble, operate or install the product.

General Product Safety Warnings

WARNING

Read all safety warnings, instructions, illustrations and specifications provided with this product.

Failure to follow all instructions listed below may result in electric shock, fire and/or serious injury.

Save all warnings and instructions for future reference.

The term “product” in the warnings refers to your mains-operated (corded) product or battery operated (cordless) product.

Work area safety

- **Keep work area clean and well lit.** *Cluttered or dark areas invite accidents.*
- **Do not operate products in explosive atmospheres, such as in the presence of flammable liquids, gases or dust.** *Products create sparks which may ignite the dust or fumes.*
- **Keep children and bystanders away while operating a product.** *Distractions can cause you to lose control.*

Electrical safety

- **Product plugs must match the outlet. Never modify the plug in any way. Do not use any adapter plugs with earthed (grounded) products.** *Unmodified plugs and matching outlets will reduce risk of electric shock.*
- **Avoid body contact with earthed or grounded surfaces, such as pipes, radiators, ranges and refrigerators.** *There is an increased risk of electric shock if your body is earthed or grounded.*
- **Do not expose products to rain or wet conditions.** *Water entering a product will increase the risk of electric shock.*
- **Do not abuse the cord. Never use the cord for carrying, pulling or unplugging the product. Keep cord away from heat, oil, sharp edges or moving parts.** *Damaged or entangled cords increase the risk of electric shock.*
- **When operating a product outdoors, use an extension cord suitable for outdoor use.** *Use of a cord suitable for outdoor use reduces the risk of electric shock.*
- **If operating a product in a damp location is unavoidable, use a residual current device (RCD) protected supply.** *Use of an RCD reduces the risk of electric shock.*

Personal safety

- **Stay alert, watch what you are doing and use common sense when operating a product. Do not use a product while you are tired or under the influence of drugs, alcohol or medication.** *A moment of inattention while operating products may result in serious personal injury.*
- **Use personal protective equipment. Always wear eye protection.** *Protective equipment such as dust mask, non-skid safety shoes, hard hat, or hearing protection used for appropriate conditions will reduce personal injuries.*
- **Prevent unintentional starting. Ensure the switch is in the off-position before connecting to power source and/or battery pack, picking up or carrying the product.** *Carrying products with your finger on the switch or energizing products that have the switch on invites accidents.*
- **Remove any adjusting key or wrench before turning the product on.** *A wrench or a key left attached to a rotating part of the product may result in personal injury.*

SAFETY INFORMATION

- **Do not overreach. Keep proper footing and balance at all times.** *This enables better control of the product in unexpected situations.*
- **Dress properly. Do not wear loose clothing or jewelry. Keep your hair and clothing away from moving parts.** *Loose clothes, jewelry or long hair can be caught in moving parts.*
- **If devices are provided for the connection of dust extraction and collection facilities, ensure these are connected and properly used.** *Use of dust collection can reduce dust-related hazards.*
- **Do not let familiarity gained from frequent use of products allow you to become complacent and ignore product safety principles.** *A careless action can cause severe injury within a fraction of a second.*

Product use and care

- **Do not force the product. Use the correct product for your application.** *The correct product will do the job better and safer at the rate for which it was designed.*
- **Do not use the product if the switch does not turn it on and off.** *Any product that cannot be controlled with the switch is dangerous and must be repaired.*
- **Disconnect the plug from the power source and/or remove the battery pack, if detachable, from the product before making any adjustments, changing accessories, or storing products.** *Such preventive safety measures reduce the risk of starting the product accidentally.*
- **Store idle products out of the reach of children and do not allow persons unfamiliar with the product or these instructions to operate the product.** *Products are dangerous in the hands of untrained users.*
- **Maintain products and accessories. Check for misalignment or binding of moving parts, breakage of parts and any other condition that may affect the product's operation. If damaged, have the product repaired before use.** *Many accidents are caused by poorly maintained products.*
- **Keep cutting products sharp and clean.** *Properly maintained cutting products with sharp cutting edges are less likely to bind and are easier to control.*
- **Use the product, accessories and product bits etc. in accordance with these instructions, taking into account the working conditions and the work to be performed.** *Use of the product for operations different from those intended could result in a hazardous situation.*
- **Keep handles and grasping surfaces dry, clean and free from oil and grease.** *Slippery handles and grasping surfaces do not allow for safe handling and control of the product in unexpected situations.*

Battery product use and care

- **Recharge only with the charger specified by the manufacturer.** *A charger that is suitable for one type of battery pack may create a risk of fire when used with another battery pack.*
- **Use products only with specifically designated battery packs.** *Use of any other battery packs may create a risk of injury and fire.*
- **When battery pack is not in use, keep it away from other metal objects, like paper clips, coins, keys, nails, screws or other small metal objects, that can make a connection from one terminal to another.** *Shorting the battery terminals together may cause burns or a fire.*

SAFETY INFORMATION

- **Under abusive conditions, liquid may be ejected from the battery; avoid contact. If contact accidentally occurs, flush with water. If liquid contacts eyes, additionally seek medical help.** *Liquid ejected from the battery may cause irritation or burns.*
- **Do not use a battery pack or product that is damaged or modified.** *Damaged or modified batteries may exhibit unpredictable behavior resulting in fire, explosion or risk of injury.*
- **Do not expose a battery pack or product to fire or excessive temperature.** *Exposure to fire or temperature above 130°C (265 °F) may cause explosion.*
- **Follow all charging instructions and do not charge the battery pack or product outside the temperature range specified in the instructions.** *Charging improperly or at temperatures outside the specified range may damage the battery and increase the risk of fire.*
- Use only KOBALT 24-volt batteries (KB 224-03, KB 224-06, KB 324-06, KB 424-03, KXB 424-03, KB 424A-06, KB 424-06, KB 524-06, KB 524-03, KB 624-03, KB 624-06, KXB 824-03, KB 824-06).
- Use only KOBALT 24-volt chargers (KRC 2445-03, KCH 2401-03, KDPC 124-03, KRC 2490-03, KCH 2411-03, KRC 2404-03, KCH 324-06, KCH 624-06, KCH 1024-06, KCH 1424-06).

Service

- **Have your product serviced by a qualified repair person using only identical replacement parts.** *This will ensure that the safety of the product is maintained.*
- **Never service damaged battery packs.** *Service of battery packs should only be performed by the manufacturer or authorized service providers.*

Garden blower safety warnings

- **Do not use the product in bad weather conditions, especially when there is a risk of lightning.** *This decreases the risk of being struck by lightning.*
- **Wear eye protection and ear protection.** *Adequate protective equipment will reduce the risk of personal injury.*
- **While operating the product, always wear nonslip and protective footwear. Do not operate the product when barefoot or wearing open sandals.** *This reduces the risk of injury to the feet.*
- **Do not wear loose fitting clothing or articles such as scarves, strings, chains, ties, etc., that could get drawn into the air inlets. Tie back or cover long hair to make sure it does not get drawn into the air inlets.** *If any of these items are drawn into the air inlets, it can increase the risk of personal injury.*
- **Keep bystanders away while operating the product.** *Thrown debris can increase the risk of personal injury.*
- **Never point the blower nozzle in the direction of people or pets or in the direction of windows. Use extra caution when blowing debris near solid objects, such as trees, automobiles and walls that can cause debris to ricochet.** *Thrown objects can damage property and increase the risk of personal injury.*
- **Do not use the product to blow anything that is burning or smoking, such as cigarettes, matches or hot ashes.** *These ignition sources may increase the risk of fire.*
- **Do not touch the fan while still in motion. Turn off the product and wait until the fan stops before removing any part that may give access to the fan.** *This reduces the risk of injury from moving parts.*
- **When clearing jammed material or servicing the product, make sure the power switch is off.** *Unexpected starting of the product while clearing jammed material or servicing may result in serious personal injury.*

SAFETY INFORMATION

WARNING (PROPOSITION 65)

Some dust created by power sanding, sawing, grinding, drilling, and other construction activities contains chemicals known to cause cancer, birth defects or other reproductive harm. Some examples of these chemicals are:

- Lead from lead-based paints.
- Crystalline silica from bricks and cement and other masonry products, and
- Arsenic and chromium from chemically treated lumber.

Your risk of exposure to these chemicals varies depending on how often you do this type of work. To reduce your exposure to these chemicals, work in a well-ventilated area, and work with approved safety equipment, such as dust masks that are specially designed to filter out microscopic particles.

THE RECOMMENDED AMBIENT TEMPERATURE RANGE:

ITEM	TEMPERATURE
Product storage	32°F (0°C) - 113°F (45°C)
Product operation	32°F (0°C) - 113°F (45°C)
Battery charging	39°F (4°C) - 104°F (40°C)
Charger operation	39°F (4°C) - 104°F (40°C)
Battery storage	32°F (0°C) - 113°F (45°C)
Battery discharging	32°F (0°C) - 113°F (45°C)

SAVE THESE INSTRUCTIONS

PREPARATION

Before beginning assembly of product, make sure all parts are present. Compare parts with package contents list and hardware contents list. If any part is missing or damaged, do not attempt to assemble the product.

Estimated Assembly Time: 5 - 10 minutes

ASSEMBLY INSTRUCTIONS

1. Assembling the blower tube and attachment nozzles

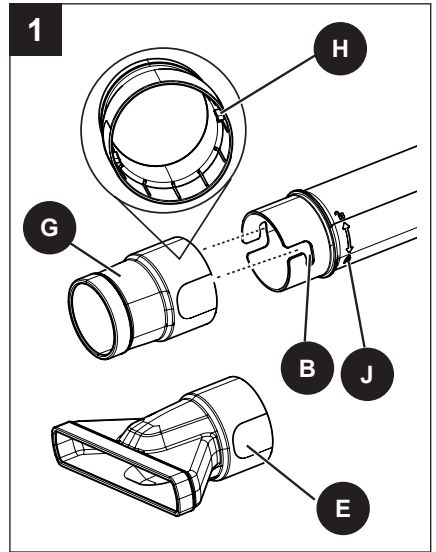
The tabs (H) located in the interior of the blower tubes and attachment nozzles fit into the slots (B) on the blower housing and blower tubes.

The speed tip (G) or wide nozzle (E) can be installed onto the end of the blower tubes or directly onto the blower housing outlet.

- Slide the desired nozzle or blower tube and push them together.
- Rotate the tube or nozzle along the lock icon (J) to secure them in the locked position.

The steps above can be repeated to install the additional tube onto the first tube and to install an attachment nozzle onto the blower tube. No additional attachments can be installed onto the speed tip or wide nozzle.

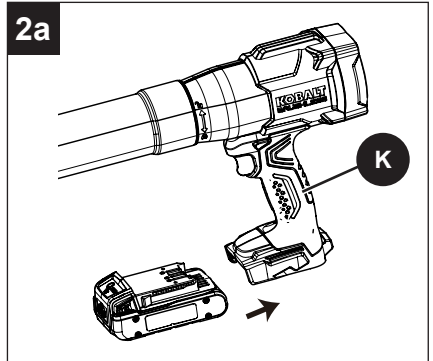
Note: When correctly assembled, the tubes are difficult to separate. If they can easily be twisted apart, the tubes are not locked. Continue twisting together until the tubes are fully in the locked position. Tubes that are not fully locked together can separate during blower operation.



ASSEMBLY INSTRUCTIONS

2a. Installing the battery

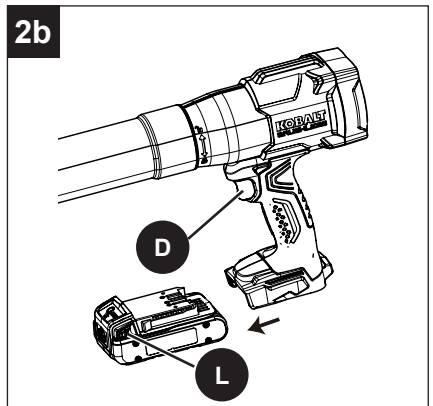
- Align the battery with the cavity in the handle housing in the blower.
- Grasp the trigger handle (K) firmly.
- Insert the battery in the opening until the battery release button locks into place. You should hear a “click” once it is installed.



2b. Removing the battery

- Release the trigger (D).
- Press the battery release button (L) from both sides. This will cause the battery to raise out of the product.
- Grasp the trigger handle firmly. Pull the battery pack out of the handle.

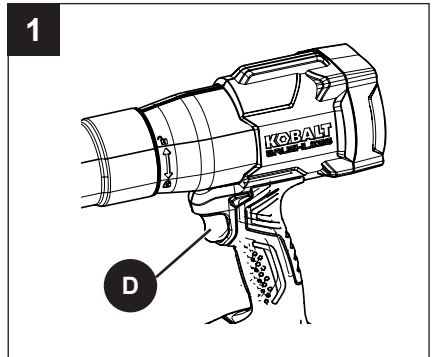
Note: The battery fits into the handle snugly in order to prevent accidental dislodging. It may require a strong pull to remove it.



OPERATING INSTRUCTIONS

1. Starting / stopping the blower

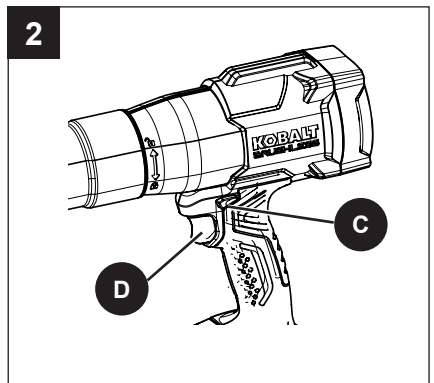
- Ensure that the battery is installed in the blower.
- Squeeze the trigger (D) to start the blower.
- To change speed, squeeze the trigger to increase the speed and release the trigger slightly to decrease the speed.
- Release the trigger completely to stop the blower.



2. Using the lock-on button

The product is equipped with a lock-on feature, which is convenient for continuous use for extended periods of time.

- Squeeze the trigger (D) to start the product.
- Push in and hold the lock-on button (C), located on the side of the handle.
- Release the trigger.
- Release the lock-on button.
- To disengage the lock, depress and release the trigger.



OPERATING INSTRUCTIONS

3. Operating the blower

- To keep from scattering debris, blow around the outer edges of a debris pile. Never blow directly into the center of a pile.
- To reduce sound levels, limit the number of pieces of equipment used at any one time.
- Use rakes and brooms to loosen debris before blowing. In dusty conditions, slightly dampen surfaces when water is available.
- Conserve water by using power blowers instead of hoses for many lawn and garden applications, including areas such as gutters, screens, patios, grills, porches, and gardens.
- Watch out for children, pets, open windows, or freshly washed cars, and blow debris safely away.
- After using blowers or other equipment, clean up. Dispose of debris properly.

Note: Never cover air vents. Keep them free of obstructions and debris. They must always remain clear for proper motor cooling.

CARE AND MAINTENANCE

1. Examining the battery and the battery charger

Carefully inspect the battery, battery charger, and connection cord of the battery charger for any signs of damage, such as cracks or broken parts. Replace if necessary.

2. Cleaning the product

- Remove the battery.
- Brush or blow dust and debris out of the air vents using compressed air or a vacuum. Keep the air vents free of obstructions, sawdust, and wood chips. Do not spray, wash, or immerse the air vents in water.
- Wipe off the housing and the plastic components using a moist, soft cloth. Do not use strong solvents or detergents on the plastic housing or plastic components. Certain household cleaners may cause damage, and may cause a shock hazard.

3. Cleaning the battery and the battery charger

- Make sure that the battery and the battery charger and battery compartment are all clean and dry before you insert the battery into the battery charger.
- Clean the battery terminals with a soft and dry cloth.
- Clean the surface of the battery and the battery charger with a soft and dry cloth.

TROUBLESHOOTING

If you still have questions or an unresolved issue after going through this troubleshooting guide, or just want to speak to a KOBALT product expert, please call our KOBALT customer service department at **888-356-2258** or at ascs@lowes.com.

PROBLEM	POSSIBLE CAUSE	CORRECTIVE ACTION
The product does not start.	The battery is not installed tightly.	Make sure that you securely insert the battery in the product.
	The battery is out of power.	Charge the battery according to the instructions included with your model.
	The trigger is defective.	Return to place of purchase or return the product to a repair center or call customer service department at 888-3KOBALT (888-356-2258) .
	The motor is defective.	
	The PCB board is defective.	
The air does not flow through the tube when you start the product.	The air inlet or tube outlet has a blockage.	Carefully remove the blockage.

WARRANTY

5-YEAR LIMITED WARRANTY

This KOBALT 24 V blower is warranted to the original purchaser from the original purchase date for five (5) years subject to the warranty coverage described herein.

This KOBALT 24 V blower is warranted for the original user to be free from defects in material and workmanship.

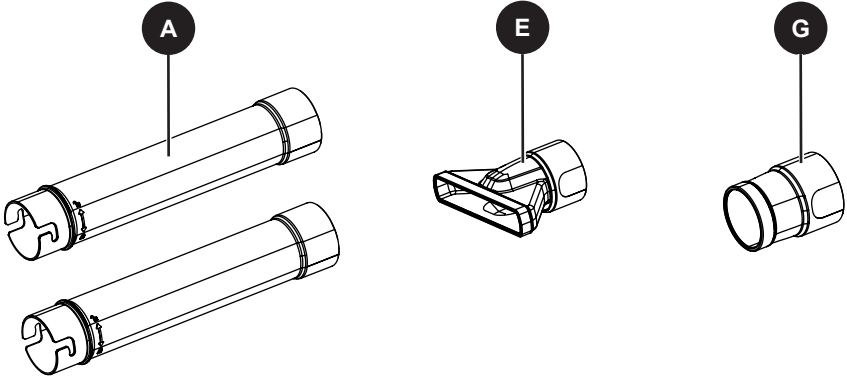
If you believe that the KOBALT 24 V blower is defective at any time during the specified warranty period, simply call our Warranty service (**888-356-2258**) along with proof of purchase.

This warranty is void if: defects in materials or workmanship or damages result from repairs or alterations which have been made or attempted by others or the unauthorized use of nonconforming parts; the damage is due to normal wear, damage is due to abuse (including overloading of the tool beyond capacity), improper maintenance, neglect or accident; or the damage is due to the use of the tool after partial failure or use with improper accessories or unauthorized repair or alteration.

This warranty gives you specific legal rights, and you may also have other rights that vary from state to state.

REPLACEMENT PARTS LIST

For replacement parts, call our customer service department at **888-356-2258**, 8 a.m. - 8 p.m., EST, Monday - Sunday. You may also contact us at ascs@lowes.com.



PART	DESCRIPTION	PART #
A	Blower tube	R0214168-00
E	Wide nozzle	R0214169-00
G	Speed tip	R0214170-00

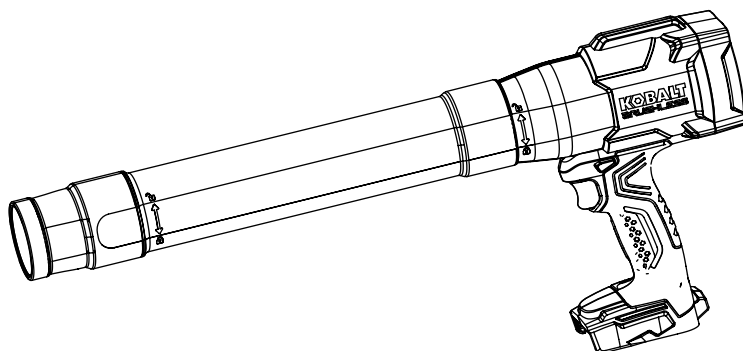
KOBALT™

KOBALT y el diseño del logotipo son marcas comerciales o marcas registradas de LF, LLC. Todos los derechos reservados.

ARTÍCULO #7915895/6036645
MODELO #KHB 2524-06/KHB 324-06

SOPLADOR SIN ESCOBILLAS DE 24 V

ADJUNTE SU RECIBO AQUÍ



Número de serie _____

Fecha de compra _____

Gracias por comprar este producto **KOBALT**.

¿Preguntas, problemas o piezas faltantes?

Antes de devolver, póngase en contacto con nosotros en:

888-356-2258, de lunes a domingo, de 8 a.m. a 8 p.m., hora estándar del Este,
o escriba a ascs@lowes.com.

SG251057

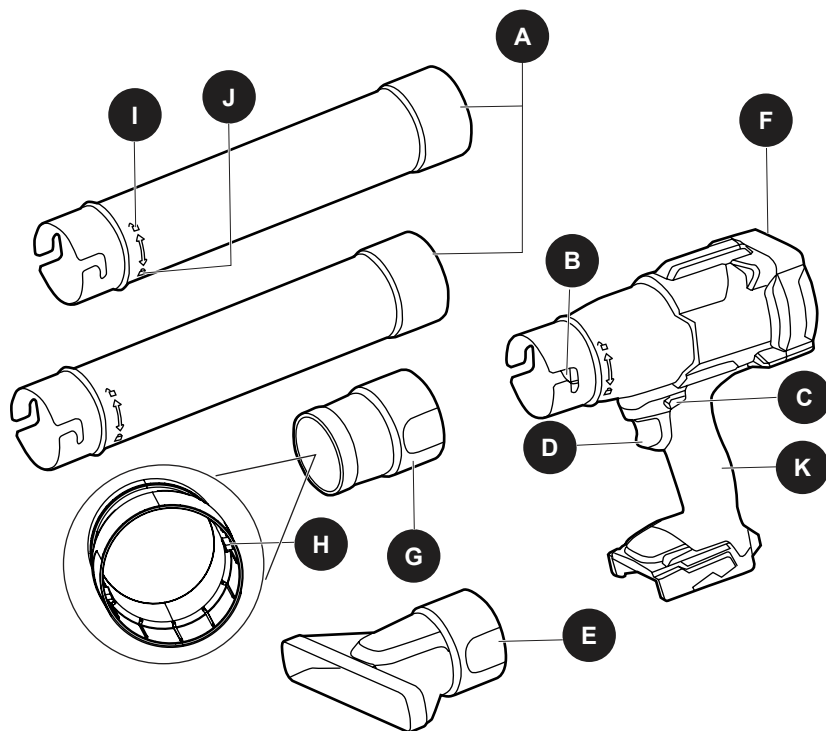
ÍNDICE

Especificaciones del producto.....	17
Contenido del paquete.....	18
Símbolos.....	19
Información de seguridad.....	20
Preparación.....	23
Instrucciones de ensamblaje.....	24
Instrucciones de funcionamiento.....	26
Cuidado y mantenimiento.....	28
Solución de problemas.....	29
Garantía.....	30
Lista de piezas de repuesto.....	31

ESPECIFICACIONES DEL PRODUCTO

ESPECIFICACIONES	
Voltaje	24 V CC
Volumen de aire	7,64 M ³ /MIN
Velocidad de aire	209,21 km/h

CONTENIDO DEL PAQUETE








PIEZA	DESCRIPCIÓN	CANTIDAD
A	Tubo del soplador	2
B	Ranura	1
C	Botón de bloqueo	1
D	Gatillo	1
E	Boquilla ancha	1
F	Puerto de entrada de aire	1




PIEZA	DESCRIPCIÓN	CANTIDAD
G	Punta de velocidad	1
H	Lengüeta	2
I	Ícono de desbloqueo	1
J	Ícono de bloqueo	1
K	Mango de gatillo	1

SÍMBOLOS


Algunos de los siguientes símbolos pueden aplicarse al uso de este producto. Obsérvelos y aprenda su significado. La interpretación correcta de estos símbolos le permitirá utilizar el producto de manera eficaz y segura.

SÍMBOLOS	EXPLICACIÓN
	Para reducir el riesgo de lesiones, el usuario debe leer el manual de instrucciones.
	Mantenga a los transeúntes alejados.
	No lo exponga a la lluvia.
	Use protección para los ojos y los oídos.
	Desconecte la batería antes del mantenimiento.

Se usan las siguientes indicaciones y sus significados para explicar los niveles de riesgo asociados a este producto.

SÍMBOLO	INDICACIÓN	SIGNIFICADO
	PELIGRO	Indica una situación de peligro inminente que, de no evitarse, ocasionará la muerte o lesiones graves.
	ADVERTENCIA	Indica una situación potencialmente peligrosa que, de no evitarse, puede ocasionar la muerte o lesiones graves.
	PRECAUCIÓN	Indica una situación potencialmente peligrosa que, de no evitarse, puede ocasionar lesiones menores o moderadas.
	PRECAUCIÓN	(Sin símbolo de alerta de seguridad) Indica una situación que puede ocasionar daños materiales.

ADVERTENCIA

- Para evitar lesiones personales graves, no intente usar este producto hasta que haya leído y comprendido completamente este manual del propietario. Si no comprende las advertencias e instrucciones de este manual del propietario, no utilice este producto. Llame al **888-356-2258** para obtener ayuda.
-  La operación de cualquier producto puede provocar que objetos extraños salten a sus ojos y, de esta manera, se causen graves daños oculares. Antes de operar un producto, use siempre lentes o gafas de seguridad con protecciones laterales y un protector facial cuando sea necesario. Se recomienda una máscara de seguridad de visión amplia sobre los lentes o las gafas de seguridad estándar con protección lateral. Siempre use lentes de protección que cumplan con la norma ANSI Z87.1.

INFORMACIÓN DE SEGURIDAD

Lea y comprenda completamente este manual antes de intentar ensamblar, usar o instalar el producto.

Advertencias de seguridad general para el producto

ADVERTENCIA

Lea todas las advertencias de seguridad, instrucciones, imágenes y especificaciones que se incluyen con este producto.

No seguir todas las instrucciones que se detallan a continuación podría provocar descargas eléctricas, incendios o lesiones graves.

Guarde todas las advertencias e instrucciones para referencia futura.

El término “producto” que aparece en las advertencias se refiere al producto que se conecta a la línea principal (con cable) o al producto que funciona con batería (inalámbrico).

Seguridad en el área de trabajo

- **Mantenga el área de trabajo limpia y bien iluminada.** *Las áreas desordenadas u oscuras aumentan las posibilidades de accidentes.*
- **No utilice productos en atmósferas en las que exista riesgo de explosión, como por ejemplo en presencia de líquidos, gases o polvo inflamables.** *Los productos producen chispas que podrían encender el polvo o el humo.*
- **Mantenga a los niños y transeúntes alejados durante la operación de un producto.** *Las distracciones pueden provocar que pierda el control.*

Seguridad eléctrica

- **Los enchufes del producto deben encajar en el tomacorriente. Nunca modifique el enchufe de ningún modo. No utilice ningún enchufe adaptador con productos con puesta a tierra.** *Los enchufes sin modificaciones y que encajan en los tomacorrientes reducen el riesgo de descarga eléctrica.*
- **Evite el contacto del cuerpo con superficies con puesta a tierra, tales como tuberías, radiadores, estufas o refrigeradores.** *Existe un mayor riesgo de descarga eléctrica si su cuerpo tiene conexión a tierra.*
- **No exponga los productos a la lluvia ni a condiciones de humedad.** *Si ingresa agua en un producto, aumentará el riesgo de descarga eléctrica.*
- **No maltrate el cable. Nunca use el cable para transportar, jalar o desenchufar el producto. Mantenga el cable alejado del calor, el aceite, los bordes filosos o las piezas en movimiento.** *Los cables dañados o enredados aumentan el riesgo de que se produzca una descarga eléctrica.*
- **Si opera un producto en exteriores, use una extensión eléctrica apropiada para su uso en exteriores.** *El uso de un cable apto para exteriores reduce el riesgo de sufrir una descarga eléctrica.*
- **Si es inevitable utilizar un producto en un lugar húmedo, use un suministro protegido con un dispositivo de corriente residual (RCD, por sus siglas en inglés).** *El uso de un RCD disminuye el riesgo de descargas eléctricas.*

Seguridad personal

- **Manténgase alerta, preste atención a lo que hace y utilice el sentido común al operar un producto. No utilice un producto si está cansado o bajo los efectos de drogas, alcohol o medicamentos.** *Un momento de desatención mientras opera productos puede provocar lesiones personales graves.*
- **Use equipos de protección personal. Siempre use lentes de protección.** *Los equipos de protección como una mascarilla antipolvo, zapatos de seguridad antideslizantes, un casco o protección para los oídos, utilizados en las condiciones apropiadas, reducirán las lesiones personales.*

- **Evite un arranque accidental. Asegúrese de que el interruptor esté en la posición de apagado antes de conectar la fuente o la batería, levantar o transportar el producto.** *Transportar productos con el dedo en el interruptor o enchufarlos con el interruptor encendido aumenta las posibilidades de accidentes.*
- **Retire todas las llaves de ajuste o llaves inglesas antes de encender el producto.** *Si se deja una llave conectada a una pieza giratoria del producto, se podrían producir lesiones personales.*
- **No se extienda demasiado. Mantenga una postura y un equilibrio adecuados en todo momento.** *Esto permite un mejor control del producto en situaciones inesperadas.*
- **Use ropa adecuada. No use ropa holgada ni joyas. Mantenga el cabello y la ropa alejados de las piezas en movimiento.** *La ropa holgada, las joyas o el cabello largo pueden quedar atrapados en las piezas en movimiento.*
- **Si se proporcionan dispositivos para la conexión de instalaciones de extracción y recolección de polvo, asegúrese de que se conecten y se usen debidamente.** *La recolección de polvo puede disminuir los peligros relacionados.*
- **No permita que la familiaridad del uso frecuente de los productos lo haga ignorar los principios de seguridad de los productos.** *Un descuido puede ocasionar una lesión grave en cuestión de segundos.*

Uso y cuidado del producto

- **No fuerce el producto. Utilice el producto adecuado para su aplicación.** *Un producto correcto hará un trabajo mejor y más seguro con un rendimiento para el cual se diseñó.*
- **No utilice el producto si el interruptor no enciende o apaga.** *Cualquier producto que no pueda controlarse con el interruptor es peligroso y debe repararse.*
- **Desconecte el enchufe de la fuente de alimentación o retire el paquete de baterías del producto (si es posible) antes de realizar cualquier ajuste, cambiar accesorios o almacenar productos.** *Este tipo de medidas de seguridad preventivas reducen el riesgo de arrancar el producto accidentalmente.*
- **Almacene los productos que no estén en uso fuera del alcance de los niños y no permita que las personas no familiarizadas con el producto o estas instrucciones lo operen.** *Los productos son peligrosos en manos de usuarios sin capacitación.*
- **Realice un mantenimiento adecuado de los productos y los accesorios. Revise si hay piezas móviles desalineadas o torcidas, si hay piezas rotas y cualquier otra condición que pueda afectar el funcionamiento del producto. Si se daña, haga reparar el producto antes de usarlo.** *Muchos accidentes son producto del mantenimiento incorrecto de los productos.*
- **Mantenga los productos de corte afilados y limpios.** *Los productos de corte con mantenimiento adecuado y bordes de corte afilados son menos propensos a trabarse y más fáciles de controlar.*
- **Use el producto, los accesorios y las puntas de acuerdo con estas instrucciones, considerando las condiciones de trabajo y el trabajo que desea realizar.** *El uso del producto en operaciones distintas para las que se diseñó podría crear una situación de peligro.*
- **Mantenga los mangos y las superficies de agarre secas, limpias y sin aceite ni grasa.** *Los mangos y las superficies de agarre húmedos no permiten una manipulación segura ni controlar el producto en situaciones inesperadas.*

Uso y cuidado del producto con batería

- **Recárguelo solo con el cargador especificado por el fabricante.** *Un cargador adecuado para un tipo de paquete de baterías puede generar un riesgo de incendio cuando se usa con otro paquete de baterías.*
- **Use productos solo con paquetes de baterías designados específicamente.** *El uso de cualquier otro paquete de baterías puede crear un riesgo de lesión e incendio.*

- Cuando el paquete de baterías no esté en uso, aléjelo de objetos metálicos, como sujetapapeles, monedas, llaves, clavos, tornillos u otros objetos metálicos pequeños que pudieran crear una conexión entre los terminales. *Es posible que conectar los terminales de la batería entre sí produzca quemaduras o un incendio.*
- En condiciones de maltrato, es posible que salga líquido de la batería. Evite el contacto. Si se produce un contacto accidental, enjuague con agua. Si el líquido entra en contacto con los ojos, busque atención médica adicional. *El líquido que sale de la batería puede provocar irritación o quemaduras.*
- No use un paquete de baterías ni el producto si están dañados o modificados. *Las baterías dañadas o modificadas pueden presentar un comportamiento impredecible que puede provocar un incendio, explosión o riesgo de lesión.*
- No exponga el paquete de baterías ni el producto al fuego o a temperaturas excesivas. *La exposición al fuego o a temperaturas por encima de los 129 °C (265 °F) puede causar una explosión.*
- Siga todas las instrucciones de carga y no cargue el paquete de baterías o el producto fuera del rango de temperatura especificado en las instrucciones. *La carga inadecuada o a temperaturas fuera del rango especificado podría dañar la batería y aumentar el riesgo de incendio.*
- Use solo baterías KOBALT de 24 voltios (KB 224-03, KB 224-06, KB 324-06, KB 424-03, KXB 424-03, KB 424A-06, KB 424-06, KB 524-06, KB 524-03, KB 624-03, KB 624-06, KXB 824-03, KB 824-06).
- Use solo cargadores KOBALT de 24 voltios (KRC 2445-03, KCH 2401-03, KDPC 124-03, KRC 2490-03, KCH 2411-03, KRC 2404-03, KCH 324-06, KCH 624-06, KCH 1024-06, KCH 1424-06).

Reparación

- Permita que solo una persona capacitada repare el producto, mediante el uso exclusivo de piezas de repuesto idénticas. *Esto mantendrá la seguridad del producto.*
- Nunca realice mantenimiento a los paquetes de baterías. *Solo el fabricante o proveedores de servicio autorizados pueden realizar el mantenimiento de los paquetes de baterías.*

Advertencias de seguridad sobre sopladores de jardín

- No use el producto en condiciones de mal tiempo, especialmente cuando hay riesgo de tormenta eléctrica. *Esto disminuirá el riesgo de que le caiga un rayo.*
- Use lentes de protección y protección para los oídos. *El equipo de protección adecuado reducirá el riesgo de lesiones personales.*
- Mientras utilice el producto, utilice siempre calzado protector antideslizante. No use el producto estando descalzo o al usar sandalias abiertas. *Esto reduce el riesgo de lesiones en los pies.*
- No use ropa ni artículos holgados como bufandas, colgantes, cadenas, corbatas, etc., que podrían introducirse en las entradas de aire. Amárrese o cúbrase el cabello largo para asegurarse de que no ingrese en las entradas de aire. *Si alguno de estos elementos ingresa a las entradas de aire, puede aumentar el riesgo de lesiones personales.*
- Mantenga alejados a los transeúntes mientras utiliza el producto. *Los desechos arrojados pueden aumentar el riesgo de lesiones personales.*
- Nunca apunte la boquilla del soplador a personas o mascotas, o en dirección a las ventanas. Tenga extremo cuidado cuando sople residuos cerca de objetos sólidos, como árboles, automóviles y paredes que pueden causar que los desechos reboten. *Los objetos arrojados pueden dañar la propiedad y aumentar el riesgo de lesiones personales.*
- No use el producto para soplar cualquier objeto encendido o con humo, como cigarrillos, fósforos o cenizas calientes. *Estas fuentes de ignición pueden aumentar el riesgo de incendio.*

INFORMACIÓN DE SEGURIDAD

- **No toque el ventilador mientras esté en movimiento. Apague el producto y espere hasta que el ventilador se detenga antes de retirar cualquier pieza que pueda dar acceso al ventilador.** *Esto reduce el riesgo de lesiones por las piezas móviles.*
- **Al retirar material atascado o dar servicio al producto, asegúrese de que el interruptor de encendido esté apagado.** *Un arranque inesperado del producto durante la limpieza de material atascado o la reparación pueden provocar lesiones graves.*

ADVERTENCIA (PROPUESTA 65)

Parte del polvo causado por el lijado eléctrico, el serruchado, la trituración, el taladrado y otras actividades de la construcción contienen productos químicos que causan cáncer, defectos congénitos u otros daños en el aparato reproductivo. Algunos ejemplos de estos productos químicos son los siguientes:

- Plomo de pinturas a base de plomo.
- Sílice cristalina de ladrillos, cemento y otros productos de mampostería.
- Arsénico y cromo de madera tratada con químicos.

El riesgo que corre debido a la exposición a estos productos químicos varía según la frecuencia con que realiza este tipo de trabajo. Para reducir su exposición a estas sustancias químicas, trabaje en un área bien ventilada y utilice un equipo de seguridad aprobado, como las mascarillas antipolvo especialmente diseñadas para filtrar estas partículas microscópicas

RANGO DE TEMPERATURA AMBIENTE RECOMENDADO:

ARTÍCULO	TEMPERATURA
Almacenamiento del producto	0 °C a 45 °C (32 °F a 113 °F)
Operación del producto	0 °C a 45 °C (32 °F a 113 °F)
Carga de la batería	4 °C a 40 °C (39 °F a 104 °F)
Operación del cargador	4 °C a 40 °C (39 °F a 104 °F)
Almacenamiento de la batería	0 °C a 45 °C (32 °F a 113 °F)
Descarga de la batería	0 °C a 45 °C (32 °F a 113 °F)

GUARDE ESTAS INSTRUCCIONES

PREPARACIÓN

Antes de comenzar a ensamblar el producto, asegúrese de tener todas las piezas. Compare las piezas con la lista del contenido del paquete y la lista de aditamentos. No intente ensamblar el producto si falta alguna pieza o si estas están dañadas.

Tiempo estimado de ensamblaje: 5 a 10 minutos

1. Ensamblaje del tubo del soplador y las boquillas de fijación

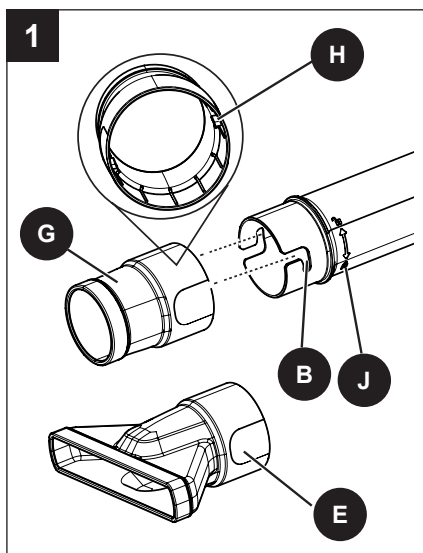
Las pestañas (H) ubicadas en el interior de los tubos del soplador y las boquillas de fijación encajan en las ranuras (B) de la carcasa del soplador y de los tubos del soplador.

La punta de velocidad (G) o la boquilla ancha (E) se pueden instalar en el extremo de los tubos del soplador o directamente en la salida de la carcasa del soplador.

- Deslice la boquilla deseada o el tubo de soplador y presiónelos para juntarlos.
- Gire el tubo o la boquilla a lo largo del ícono de bloqueo (J) para asegurarlos en la posición bloqueada.

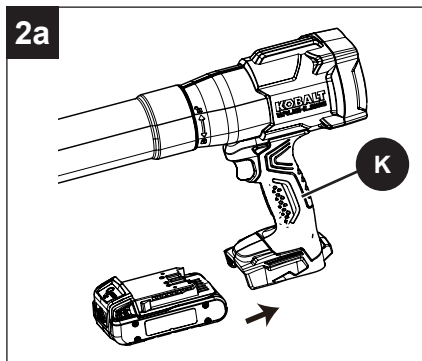
Los pasos anteriores se pueden repetir para instalar el tubo adicional en el primer tubo y para instalar una boquilla de fijación en el tubo del soplador. No se pueden instalar accesorios adicionales en la punta de velocidad ni en la boquilla ancha.

Nota: Cuando están correctamente ensamblados, los tubos son difíciles de separar. Si se pueden separar fácilmente mediante torsión, los tubos no están bloqueados. Continúe girándolos juntos hasta que los tubos estén completamente en la posición bloqueada. Los tubos que no están completamente bloqueados entre sí pueden separarse durante el funcionamiento del soplador.



2a. Instalación de la batería

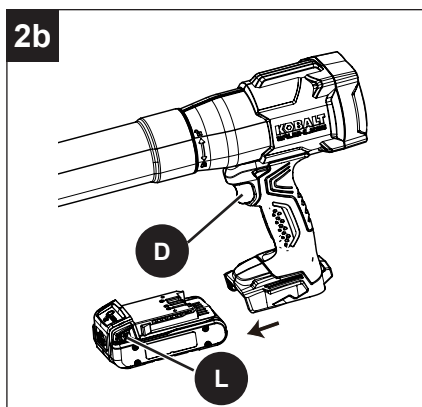
- Alinee la batería con la cavidad de la carcasa del mango del soplador.
- Agarre el mango del gatillo (K) con firmeza.
- Coloque la batería en la abertura hasta que el botón de liberación de la batería se trabe en su lugar. Deberá escuchar un “clic” una vez que está instalado.



2b. Retiro de la batería

- Suelte el gatillo (D).
- Presione el botón de liberación de la batería (L) desde ambos lados. Esto hará que la batería se levante y se separe del producto.
- Tome el mango del gatillo con firmeza. Jale el paquete de baterías hasta retirarlo de la manija.

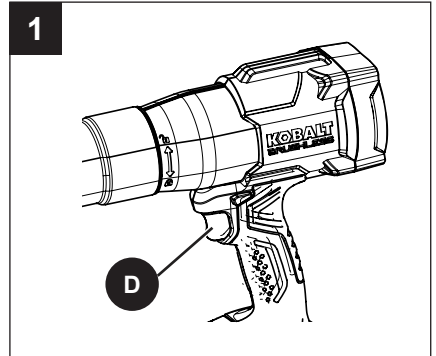
Nota: La batería se ajusta primero en el mango bien sujeto, de modo que se evite el desprendimiento accidental. Es posible que sea necesario un movimiento fuerte para retirarlo.



INSTRUCCIONES DE FUNCIONAMIENTO

1. Encendido y apagado del soplador

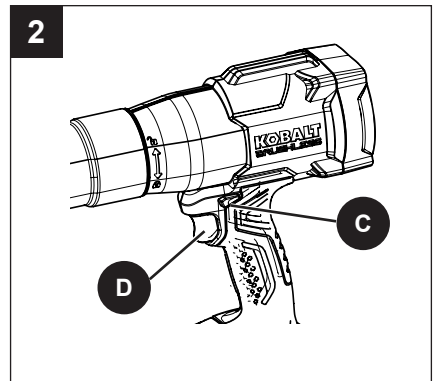
- Asegúrese de que la batería esté instalada en el soplador.
- Presione el gatillo (D) para encender el soplador.
- Para cambiar la velocidad, apriete el gatillo para aumentar la velocidad y suelte ligeramente el gatillo para disminuir la velocidad.
- Suelte el gatillo completamente para detener el soplador.



2. Uso del botón de bloqueo

El producto está equipado con una función de bloqueo, útil para el uso continuo durante períodos prolongados.

- Presione el gatillo (D) para arrancar el producto.
- Push in and hold the lock-on button (C), located on the side of the handle.
- Suelte el gatillo.
- Suelte el botón de bloqueo.
- Para desactivar el bloqueo, presione y suelte el gatillo.



3. Funcionamiento del soplador

- Para protegerlo de los desechos dispersos, sople por alrededor de los bordes de los desechos acumulados. Nunca sople directamente en el centro de la acumulación.
- Para reducir los niveles de ruido, limite el número de piezas del equipo utilizadas en cualquier momento dado.
- Use rastrillos y escobas para aflojar los residuos antes del soplado. En caso de lugares polvorientos, humedezca levemente las superficies si hay agua disponible.
- Conserve el agua mediante el uso de sopladores eléctricos en lugar de mangueras para muchas de las aplicación en el césped y el jardín, incluso áreas como canaletas, mallas, patios, parrillas, galerías y jardines.
- Vigile a los niños, las mascotas, las ventanas abiertas o los autos recién lavados y sople los residuos lejos de manera segura.
- Después de utilizar sopladores u otros equipos, limpie. Elimine los desechos de manera adecuada.

Nota: Nunca cubra los conductos de ventilación. Manténgalos libres de obstrucciones y desechos. Siempre deben estar despejados para un enfriamiento adecuado del motor.

1. Comprobación de la batería y el cargador de batería.

Inspeccione cuidadosamente la batería, el cargador de la batería y el cable de conexión del cargador de batería para detectar cualquier señal de daños, como grietas o piezas rotas. Reemplácelos si es necesario.

2. Limpieza del producto

- Retire la batería.
- Cepille o sople el polvo y los escombros de los conductos de ventilación con aire comprimido o con una aspiradora. Mantenga los conductos de ventilación libres de obstrucciones, aserrín y virutas de madera. No rocíe, lave ni sumerja los conductos de ventilación en el agua.
- Limpie la carcasa y los componentes de plástico con un paño suave y húmedo. No utilice solventes o detergentes fuertes en la carcasa de plástico o en los componentes de plástico. Algunos limpiadores domésticos pueden causar daños y descargas eléctricas.

3. Limpieza de la batería y el cargador de batería

- Asegúrese de que la batería, el cargador de batería y el compartimento de la batería estén limpios y secos antes de insertar la batería en el cargador.
- Limpie los terminales de la batería con un paño suave y seco.
- Limpie la superficie de la batería y el cargador de batería con un paño suave y seco.

SOLUCIÓN DE PROBLEMAS

Si aún tiene preguntas o un problema sin resolver después de leer esta guía de solución de problemas, o si simplemente desea hablar con un experto en productos Kobalt, llame a nuestro Departamento de Servicio al Cliente de Kobalt al **888-356-2258** o escriba a **asc@lowes.com**.

PROBLEMA	CAUSA POSIBLE	ACCIÓN CORRECTIVA
El producto no arranca.	La batería no está instalada firmemente.	Asegúrese de insertar la batería en el producto de forma segura.
	La batería está agotada.	Cargue la batería según las instrucciones incluidas con su modelo.
	El gatillo está defectuoso.	Devuelva el producto al lugar de compra, devuélvalo a un centro de reparación o llame al Departamento de Servicio al Cliente al 888-3KOBALT (888-356-2258) .
	El motor está defectuoso.	
	El tablero PCB está defectuoso.	
El aire no fluye a través del tubo cuando enciende el producto.	Hay una obstrucción en la entrada de aire o la salida del tubo.	Retire la obstrucción cuidadosamente.

GARANTÍA

5 AÑOS DE GARANTÍA LIMITADA

Este soplador KOBALT de 24 V está garantizado para el comprador original desde la fecha de compra original durante cinco (5) años y está sujeto a la cobertura de garantía que se describe en el presente.

Este soplador KOBALT de 24 V tiene una garantía para el usuario original contra defectos en los materiales y la mano de obra.

Si cree que el soplador KOBALT de 24 V está defectuoso en cualquier momento durante el período de garantía especificado, simplemente llame a nuestro servicio de garantía **(888-356-2258)** y tenga a mano el comprobante de compra.

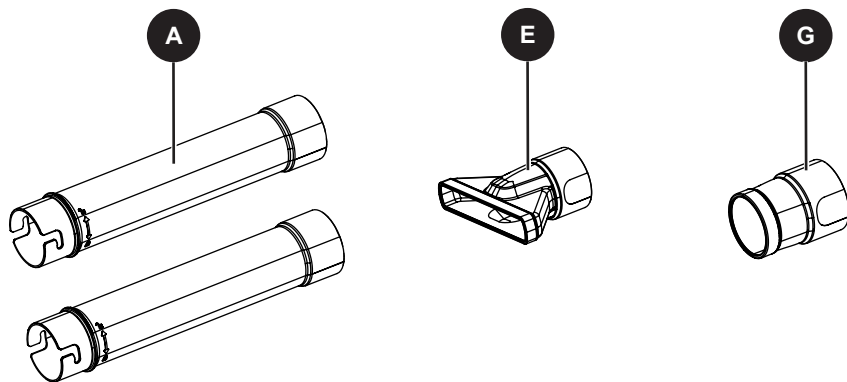
Esta garantía es nula si: los defectos en los materiales, la mano de obra o los daños se produjeron debido a reparaciones o modificaciones hechas o que se hayan intentado hacer por parte de terceros o el uso no autorizado de piezas que no cumplan con los requisitos, el daño se debe al desgaste normal; el daño se debe al abuso (lo que incluye la sobrecarga de la herramienta más allá de su capacidad), mantenimiento inadecuado, negligencia o accidente; o el daño se debe al uso de la herramienta después de una falla parcial o uso con accesorios inadecuados o reparación o alteración no autorizada.

Esta garantía le otorga derechos legales específicos, pero podría tener también otros derechos que varían según el estado.

LISTA DE PIEZAS DE REPUESTO

Para obtener piezas de repuesto, llame a nuestro Departamento de Servicio al Cliente al **888-356-2258**, de lunes a domingo de 8 a.m. a 8 p.m., hora estándar del Este.

También puede ponerse en contacto con nosotros a través de ascs@lowes.com.



PIEZA	DESCRIPCIÓN	N.º DE PIEZA
A	Tubo del soplador	R0214168-00
E	Boquilla ancha	R0214169-00
G	Punta de velocidad	R0214170-00

Rev B



P0806978-03