

USE AND CARE GUIDE

KBS-52K131



Please scan the below QR code to get the video for easy installation.

— *Installation video* —



Questions or Support?

Email: sofucor_service@163.com

Email: sofucorceilingfan@163.com

Website: www.sofucorfan.com

01 Table of Contents

Safety Information	02	Remote control manual	17
Warranty	03	Match code	18
Three ceiling installation methods	04	Fans Balance	19
Accessory drawing	05	Care and cleaning	20
Installation procedure	06	Trouble shooting	20

02 Safety Information

1. To reduce the risk of electric shock, ensure the electricity has been turned off at the circuit breaker or fuse box before you begin.
2. All wiring must be in accordance with the National Electrical Code ANSI/NFPA 70-1999 and local electrical codes. Electrical installation should be performed by a qualified licensed electrician.
3. The outlet box and support structure must be securely mounted and capable of reliably supporting 35 lbs. (15.9 kg). Use only UL Listed outlet boxes marked "Acceptable for Fan Support of 35 lbs. (15.9 kg) or less".
4. The fan must be mounted with a minimum of 7 ft. (2.1 m) clearance from the trailing edge of the blades to the floor.
5. Do not place objects in the path of the blades.
6. To avoid personal injury or damage to the fan and other items, use caution when working around or cleaning the fan.
7. Electrical diagrams are for reference only. Light kits that are not packed with the fan must be UL-listed and marked suitable for use with the model fan you are installing. Switches must be UL General Use Switches. Refer to the instructions packaged with the light kits and switches for proper assembly.
8. After making electrical connections, spliced conductors should be turned upward and pushed carefully up into the outlet box. The wires should be spread apart with the grounded conductor and the equipment-grounding conductor on one side of the outlet box.
9. All setscrews must be checked and re-tightened where necessary before installation.



WARNING: To reduce the risk of personal injury, do not bend the blade brackets (also referred to as flanges) during assembly or after installation. Do not insert objects in the path of the blades.



WARNING: To reduce the risk of fire or electric shock, this fan is NOT suitable for use with solid-state speed controls.



WARNING: To avoid possible electrical shock, make sure that the electricity is turned off at the main power box before starting work. If you feel you do not have enough electrical wiring knowledge or experience, contact a licensed electrician.



WARNING: Electrical diagrams are for reference only. Optional use of any light kit shall be UL-listed and marked suitable for use with this fan



WARNING: To reduce the risk of fire, electrical shock or personal injury, ensure that the fan mounting bracket is supported directly from the building structure or the outlet box marked "Acceptable for Fan Support of 35 lbs. (15.9 kg) or less". Use only the screws provided with the outlet box.



Warning: Do not test the fan before affixing the blades. The DC motor needs a load to rotate properly. Affixing blades and then testing the fans.

03 Warranty

The supplier warrants the fan motor to be free from defects in workmanship and material present at time of shipment from the factory for a lifetime after the date of purchase by the original purchaser. The supplier also warrants that all other fan parts, excluding any glass or acrylic blades, to be free from defects in workmanship and material at the time.

of shipment from the factory for a period of two years after the date of purchase by the original purchaser. We agree to correct such defects without charge or at our option replace with a comparable or superior model if the product is returned.

To obtain warranty service, you must present a copy of the receipt as proof of purchase. All costs of removing and re-installing the product are your responsibility. Damage to any part such as by accident, misuse, improper installation, or by affixing any accessories, is not covered by this warranty.

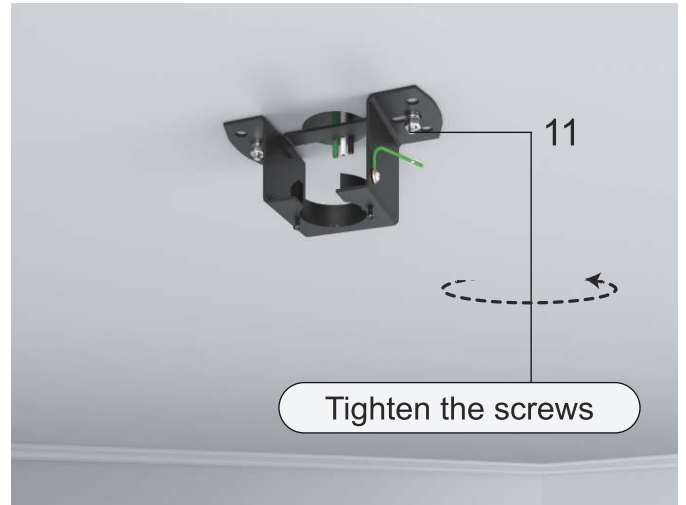
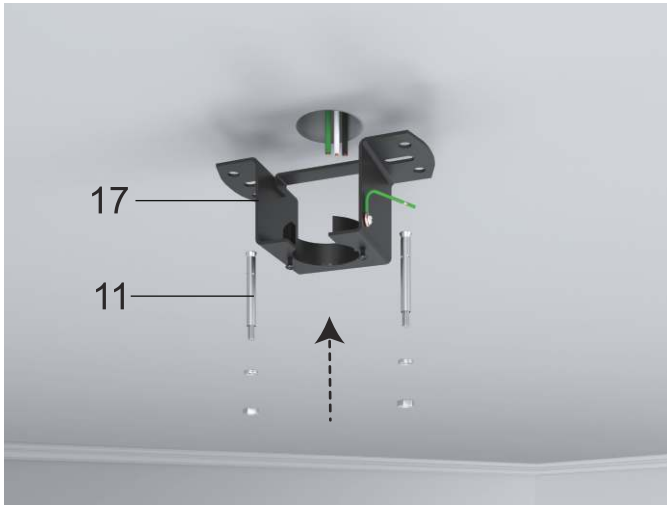
Because of varying climatic conditions this warranty does not cover any changes in brass finish, including rusting, pitting, corroding, tarnishing, or peeling. Brass finishes of this type give their longest useful life when protected from varying weather conditions. A certain amount of "wobble" is normal and should not be considered a defect.

Servicing performed by unauthorized persons shall render the warranty invalid. There is no other express warranty. Sofucor hereby disclaims any and all warranties, including but not limited to those of merchant ability and fitness for a particular purpose to the extent permitted by law. The duration of any implied warranty which cannot be disclaimed is limited to the time period as specified in the express warranty. Some states do not allow a limitation on how long an implied warranty lasts, so the above limitation may not apply to you.

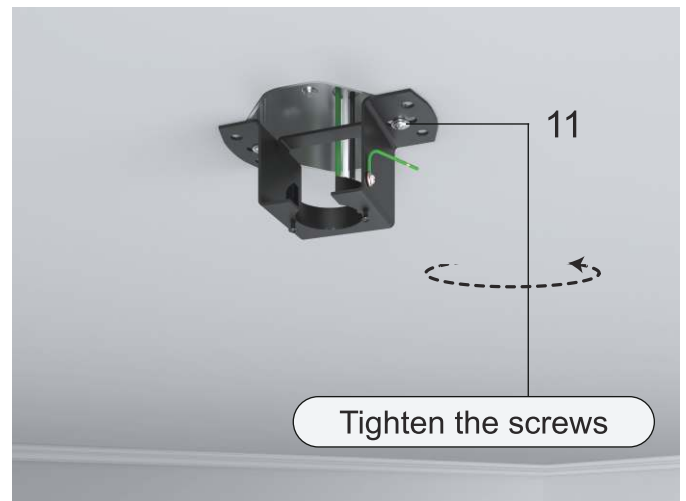
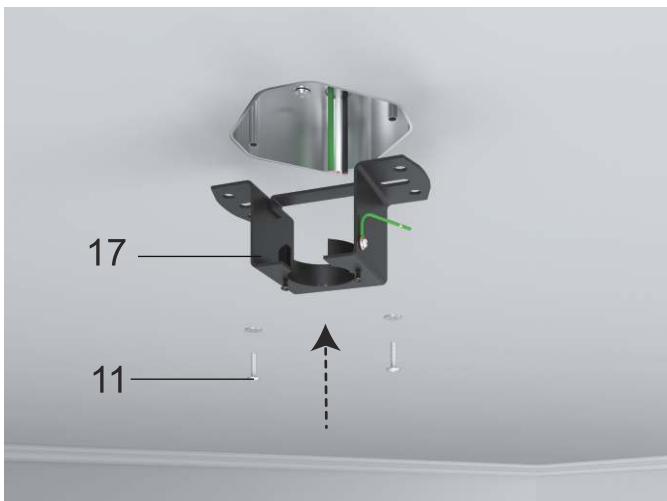
The retailer shall not be liable for incidental, consequential, or special damages arising out of or in connection with product use or performance except as may otherwise be accorded by law. Some states do not allow the exclusion of incidental or consequential damages, so the above exclusion or limitation may not apply to you. This warranty gives specific legal rights, and you may also have other rights which vary from state to state. This warranty supersedes all prior warranties. Shipping costs for any return of product as part of a claim on the warranty must be paid by the customer.

04 Three ceiling installation methods

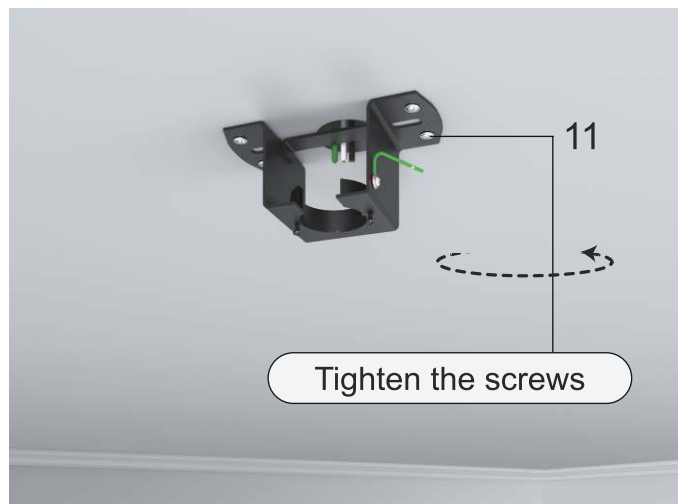
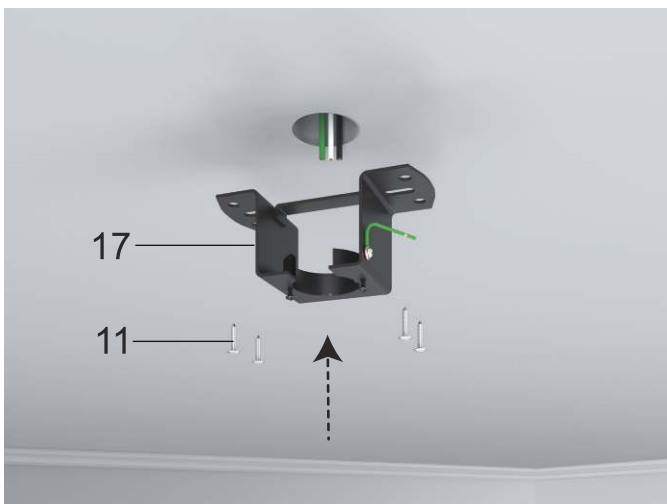
Concrete Ceiling Mounting Bracket



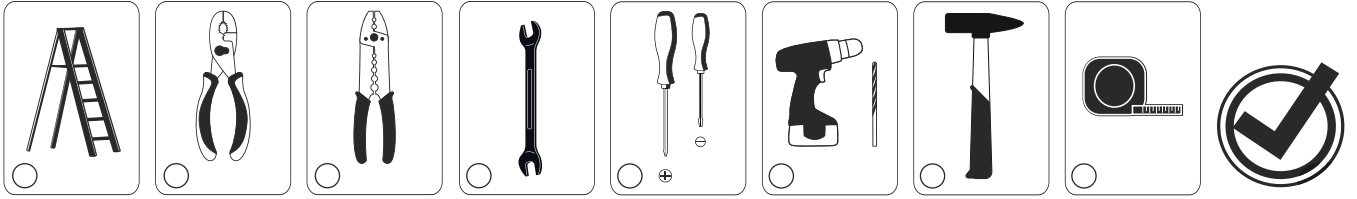
Hanger for Junction Box Mounting Bracket



Wooden ceiling Mounting Bracket



05 Accessory drawing



06 Installation procedure

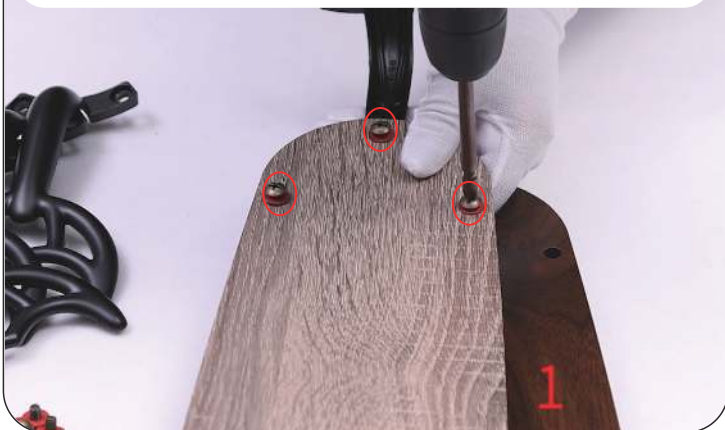
1. Put the screw washers on the screws



2. Put the blade arm onto one blade and align the holes



3. Insert the blade screws into the holes and tighten each blade screw



4. Remove the ten blade screws on the motor



5. Remove the first light kit screw and loosen the two light kit screws pre-locked on the motor (They will be needed later.)



6. Attach the blades using the ten blade screws and tighten the blade screws

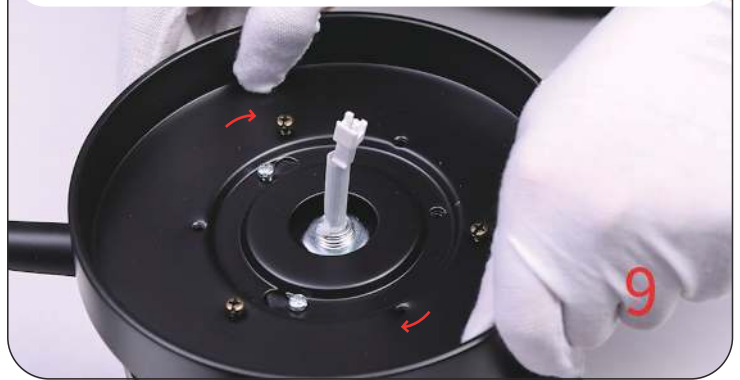


06 Installation procedure

7. Install all the blades



8. Feed the wire plugs through the center hole. Wrap keyhole slots around the screws and twist clockwise



9. Insert the third light kit screw, and then tighten all three light kit screws



10. Remove the three light kit screws on light plate



11. Connect the light source with the wires from the motor



12. Insert three light kit screws, and then tighten them



06 Installation procedure

01. Downrod installation method

If you want a ceiling fan with downrod, please follow this step.
If you want a low profile ceiling fan, please skip to page 14.

13. Remove the lock pin and the bolt of the base of the downrod



14. Remove two screws and ground wire on the hanger ball. Remove the hanger ball and bolt



15. Loosen the screws.



16. Select one downrod and pass all motor wires through the downrod

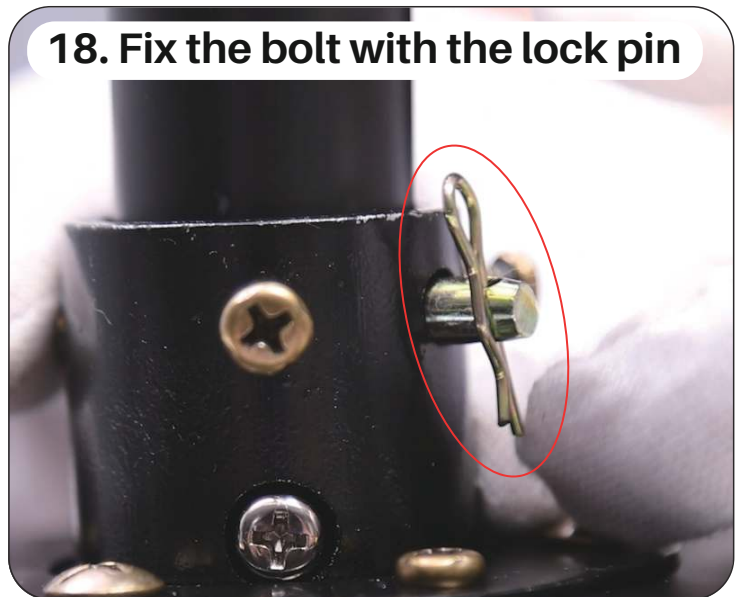


06 Installation procedure

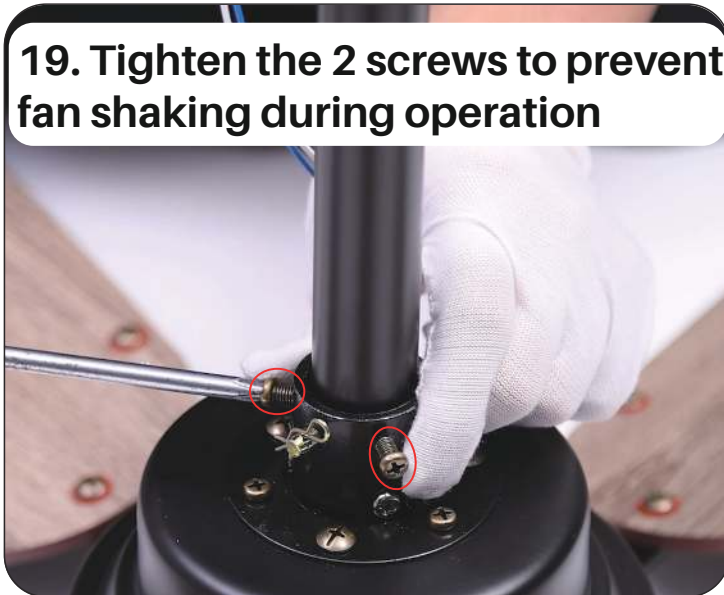
17. Insert the bolt



18. Fix the bolt with the lock pin



19. Tighten the 2 screws to prevent fan shaking during operation



20. Remove the non-slotted canopy mounting screws, and loosen the slotted canopy mounting screws.



21. Remove the ceiling bracket from the canopy



22. Put the decorative cover through the downrod



06 Installation procedure

23. Put the canopy cover through the downrod



24. Put the canopy through the downrod



25. Put the hanger ball through the downrod



26. Insert the bolt

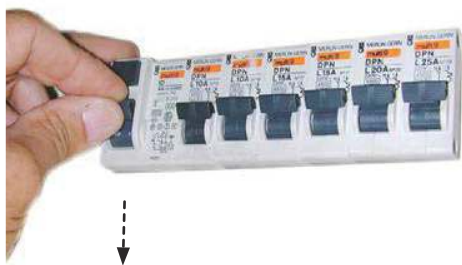


27. Fix the green ground wire with screw. Align the screw hole (labeled \perp) and tighten the screw



06 Installation procedure

WARNING: Turn off the electric power during installation and making wire connection.



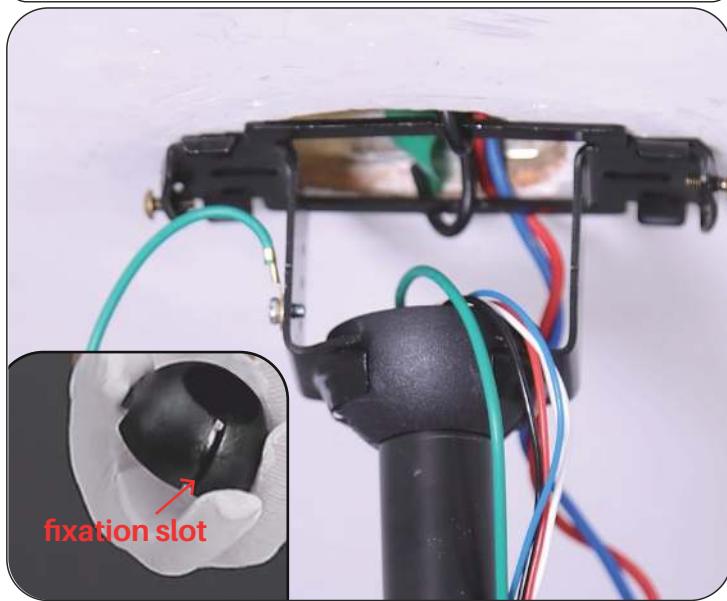
OFF!!



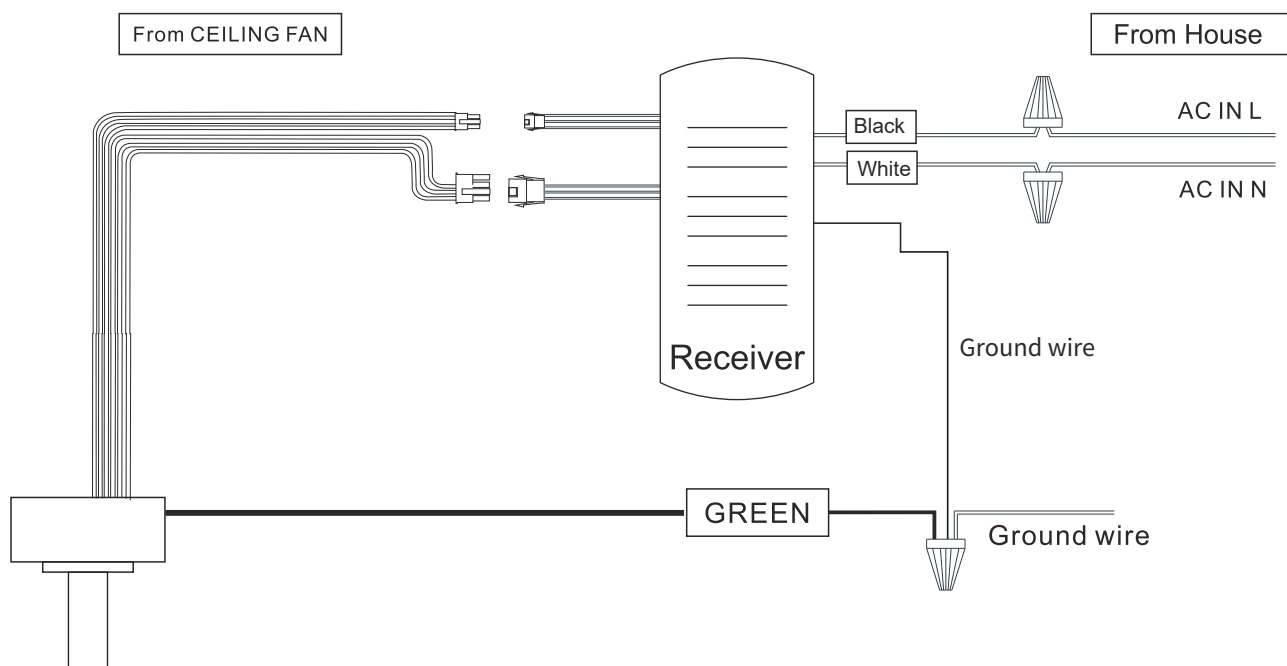
28. Install the ceiling bracket with four self tapping screws. (Is your ceiling different? Check out the guide at the page of 4.)



29. Place the downrod ball into the ceiling bracket. Be sure the fixation slot is locked by the bracket. If not, rotate the ball until the fixation slot is locked

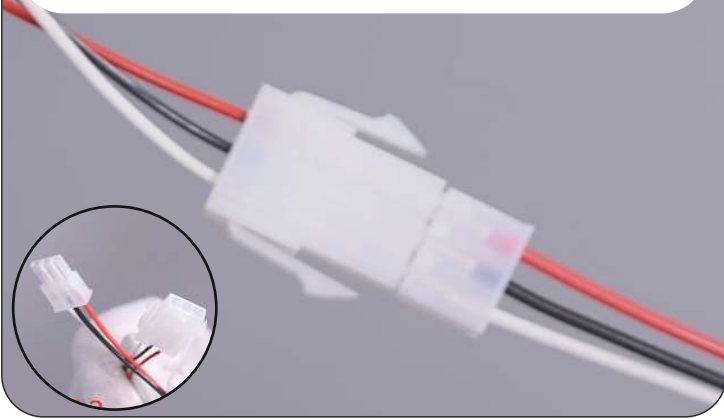


- 1. Connect the wire which from ceiling fan into the receiver.
- 2. Connect the wire from receiver with the wire from house.



06 Installation procedure

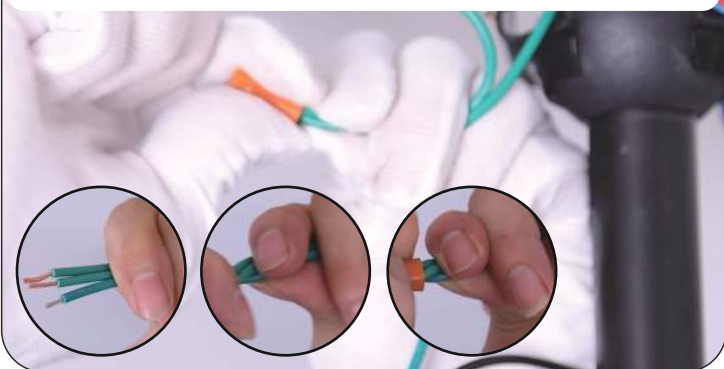
30. Connect the wire from the ceiling fan to the receiver (Red, White, and Black wires)



31. Connect the wire from the ceiling fan to the receiver (White and Blue wires)



32. Use wire connecting nuts to connect the three ground wires (green) coming from the downrod, receiver and ceiling bracket



33. Connect the fan live wire (black) to your house live wire; Connect the fan neutral wire (white) to your house neutral wire



34. Put the receiver into the mounting bracket



35. Lift the canopy into place and wrap keyhole slots around the screws



06 Installation procedure



02. Flush mount installation method

Continue from step 12 on page 7

39. Remove the non-slotted canopy mounting screws, and loosen the slotted canopy mounting screws.



40. Loosen the screws.



41. Remove the six screws and remove the gasket



42. Put the canopy through the motor wires. Put the gasket you just took out and align the holes



06 Installation procedure

43. Align the holes; Insert six screws and tighten them and rotate and tighten the top cover



44. Put the receiver into the mounting bracket



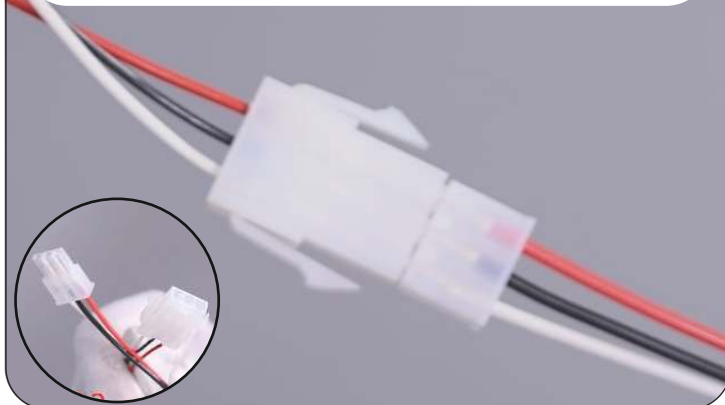
45. Install the ceiling bracket with four self tapping screws. (Is your ceiling different? Check out the guide at the page of 3.)



46. Organize and tie up the wires with zip ties



47. Connect the wire from the ceiling fan to the receiver (Red, White, and Black wires)

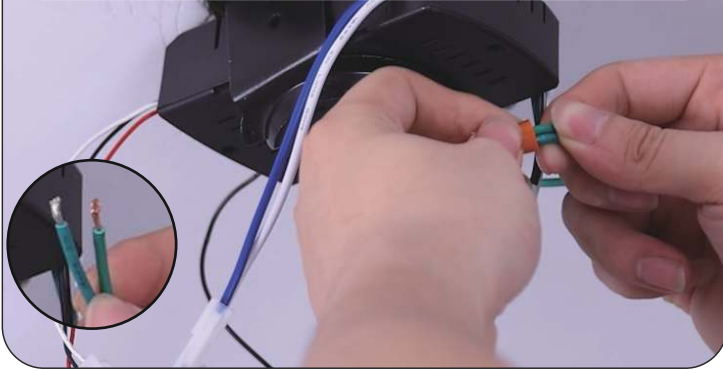


48. Connect the wire from the ceiling fan to the receiver (White and Blue wires)



06 Installation procedure

49. Use wire connecting nuts to connect the two ground wires (green) coming from the receiver and hanging bracket



50. Connect the fan live wire (black) to your house live wire; Connect the fan neutral wire (white) to your house neutral wire



51. Lift the canopy into place and wrap keyhole slots around the screws

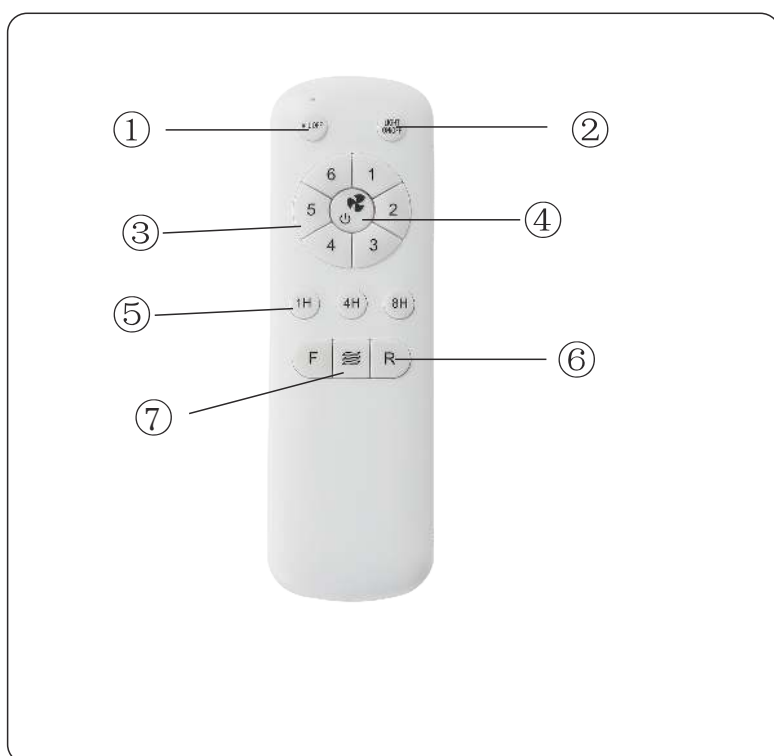


52. Secure the canopy to the mounting bracket with the four canopy mounting screws



53. Install the lampshade and rotate it to lock





- ① Turn off the light and fan at the same time
- ② Light on/off
Light color temperature switch (Press twice with an interval of 2 seconds to switch a color temperature after turning on the light.)
- ③ 6 Wind Speeds
- ④ Fan off
- ⑤ 3 Kinds of Timing
Turning off the light and the fan when the time is over
- ⑥ Fan Reverse Mode
- ⑦ Natural Wind Mode

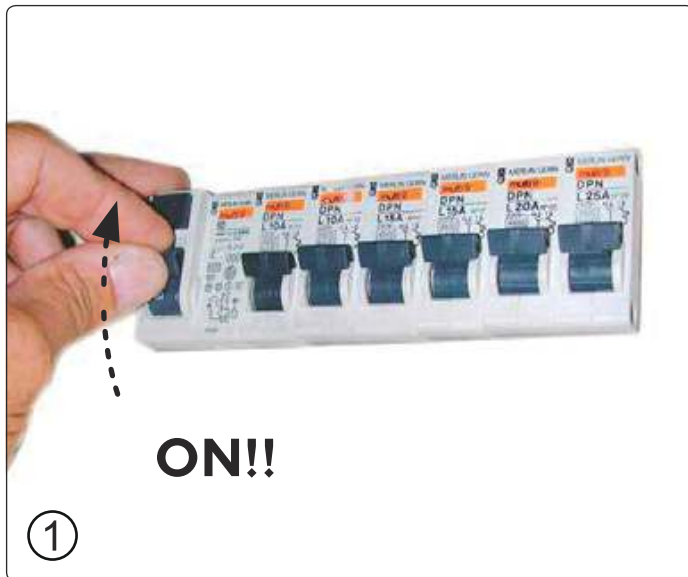
Note: the remote control must match the same code receiver

 **When the reversible button is pressed, the fan slowly slows down to a stop and then begins to reverse.**

08 Match code



if it does not work



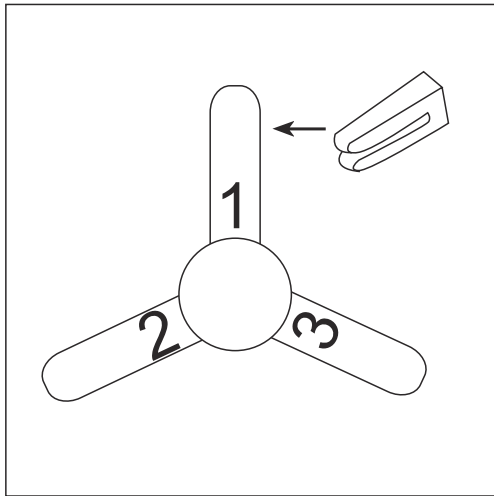
1. Turn on the main switch.



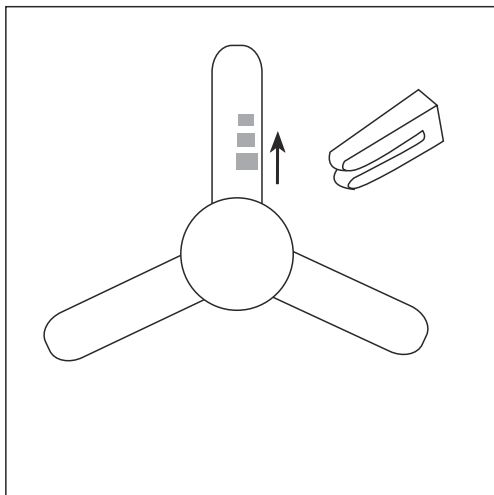
2. Pressing and holding this key for 5 seconds.



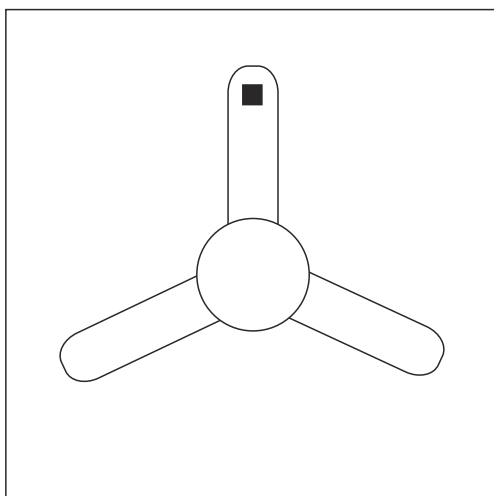
09 Fans Balance



Slide the balancing clip on the trailing edge of any blade, halfway between the holder and tip. Run the fan to check the wobble. If the wobble persists, repeat with each blade, noting which one most reduced the wobble.



Slide the clip in small increments away from the center of that blade. Move the clip, operate the fan, then move it again until you eliminate as much wobble as possible.



Stick the adhesive-backed balancing weight on the top center of the blade directly in line with the balancing clip. Add more weight if needed to get a smooth-running fan.

10 Care and Cleaning



WARNING: Make sure the power is off before cleaning your fan.

- Because of the fan's natural movement, some connections may become loose. Check the support connections, brackets, and blade attachments twice a year. Make sure they are secure. It is not necessary to remove the fan from the ceiling.
- Clean your fan periodically to help maintain its new appearance over the years. Do not use water when cleaning, as this could damage the motor, or the wood, or possibly cause an electrical shock. Use only a soft brush or lint-free cloth to avoid scratching the finish. The plating is sealed with a lacquer to minimize discoloration or tarnishing.
- You can apply a light coat of furniture polish to the wood for additional protection and enhanced beauty. Cover small scratches with a light application of shoe polish.
- You do not need to oil your fan. The motor has permanently-lubricated sealed ball bearings.

11 Trouble shooting

Problem	Solution
The fan will not start.	<ul style="list-style-type: none"> □ Check the main and branch circuit fuses or breakers. □ Check the line wire connections to the fan and switch wire connections in the switch housing.
The fan is noisy.	<ul style="list-style-type: none"> □ Ensure all motor housing screws are snug. □ Ensure the screws that attach the fan blade bracket to the motor hub are tight. □ Ensure the wire nut connections are not ratting against each other or the interior wall of the switch housing. □ Allow a 24-hour "breaking in" period. Most noises associated with a new fan disappear during this time. □ If you are using the Ceiling Fan light kit, ensure the screws securing the glassware are tight. Check that the light bulbs are also secure. □ Ensure the canopy is a short distance from the ceiling. It should not touch the ceiling. □ Ensure your outlet box is secure and rubber isolator pads were used between the mounting plate and outlet box.
The fan wobbles.	<ul style="list-style-type: none"> □ Please check and follow the instructions: Chapitre No.11 Fan balance on page 13.

If you have any questions, please contact us. We will help you solve any problem.

Email: sofucor_service@163.com

Email: sofucorceilingfan@163.com

Website: www.sofucorfan.com



