






Operating and Installation Instructions Wine Conditioning Unit



To prevent accidents and machine damage, read these instructions **before** installation or use.

Contents

IMPORTANT SAFETY INSTRUCTIONS	5
Caring for the environment	12
Saving energy	13
Guide to the appliance	14
Control panel	14
Explanation of symbols	15
Using the door-opening aid correctly.....	18
Accessories	19
Accessories supplied	19
Optional accessories.....	19
Switching the wine conditioning unit on and off	20
Operating the wine conditioning unit	20
Switching the wine unit off	21
Turning off the wine unit in Sabbath mode	21
Switching off for longer periods of time	21
Selecting additional settings	22
Safety lock 	22
Temperature unit (Celsius or Fahrenheit)	23
Acoustic signals 	25
Display brightness 	26
Sabbath mode 	27
Optimum temperature and air quality	29
Temperature	29
Sets the temperature.....	30
Temperature range	31
Temperature display	31
Air quality and humidity	31
Using DynaCool  (constant humidity).....	32
Air filtration with the Active AirClean filter	33
Temperature and door alarm	34
Feature lighting	36
Switching the feature lighting on and off	36
Setting the brightness of the feature lighting	36
Lighting duration of the feature lighting	37

Storing wine bottles	38
Wooden shelves	39
Moving the wooden shelves.....	39
Adjusting the wooden shelves	40
Labeling the wooden racks	41
Securing bottle holders	41
Inserting the decor shelf.....	42
Maximum capacity	42
SommelierSet	44
Setting up the SommelierSet	44
Fitting the runner covers	44
Inserting the glass holder.....	44
Inserting the bottle holder	45
Automatic defrosting	46
Cleaning and care	47
Cleaning agents.....	47
Before cleaning the wine conditioning unit	48
Interior, accessories, and appliance door	48
Cleaning the ventilation gaps.....	48
Cleaning the door seal	48
Cleaning the air filter.....	49
After cleaning	49
Active AirClean filter	50
Replacing the Active AirClean filter	50
Frequently asked questions	52
Causes of noises	57
Service and warranty	58
MieleCare	58
Installation	59
Installation location	59
Side-by-side.....	60
Climate class	60
Ventilation.....	61
Door opening angle limiter	61
Installation dimensions.....	62
View from above.....	63
Adjusting the door hinge	64

Contents

Reversing the door hinge	64
Installing the wine conditioning unit	69
Before installing the wine conditioning unit.....	69
Setting up the wine conditioning unit.....	70
Pushing the wine conditioning unit into the niche.....	72
Securing the wine conditioning unit in the niche	73
Electrical connection	76
Information for dealers	77
Demo mode ■.....	77



IMPORTANT SAFETY INSTRUCTIONS

When using the appliance, follow basic safety precautions, including the following:

Read all instructions before installation and use to prevent accidents and machine damage.

This wine conditioning unit complies with all current local and national safety requirements. Inappropriate use can, however, lead to personal injury and material damage.

Read the operating and installation instructions carefully before using the wine conditioning unit. They contain important information on safety, installation, use, and maintenance. This is to protect yourself from injury, and from damaging your wine conditioning unit.

Please read and follow the instructions in the chapter on installing the wine conditioning unit, as well as the safety instructions and warnings.

Miele cannot be held liable for injury or damage caused by non-compliance with these instructions.

Keep these instructions in a safe place and pass them on to any future owner.

 Risk of injury from broken glass.

If installed at altitudes above 4920 ft. (1,500 m), there is a risk of the glass in the door breaking because of changes in air pressure. Shards of glass can cause severe injury.

IMPORTANT SAFETY INSTRUCTIONS

Use

- ▶ This wine conditioning unit is intended for use in domestic households and similar residential environments such as
- staff kitchen areas in shops, offices and other working environments
 - farm houses and by clients in hotels, motels and other residential type environments
 - bed and breakfast type environments
 - catering and similar non-retail applications.

This wine conditioning is not intended for use outdoors, in damp environments or in places exposed to rain.

- ▶ The wine conditioning unit is intended for domestic use only for storing wine.

It must not be used for any other purpose.

- ▶ The wine conditioning unit is not suitable for storing and keeping cool medicines, blood plasma, laboratory preparations or other such materials or products. Incorrect use of the wine conditioning unit for such purposes can cause deterioration of the items stored. The wine conditioning unit is not suitable for use in areas where there is a risk of explosion.

Miele cannot be held liable for damage resulting from improper or incorrect use of the appliance.

- ▶ This wine conditioning unit may only be used by people (including children) with reduced physical, sensory or mental capabilities or lack of experience and knowledge if they are supervised while using it.

The wine conditioning unit may only be used by these people without supervision if they have been shown how to use it in a safe way and recognize and understand the consequences of incorrect operation.

IMPORTANT SAFETY INSTRUCTIONS

Children

- ▶ Children near the wine conditioning unit must be supervised. Do not let children play with the wine conditioning unit.
- ▶ Ensure that any packing material is disposed of safely and kept out of the reach of children. DANGER of suffocation!

Technical safety

- ▶ If the power cord is damaged, it must be replaced by a Miele authorized technician in order to protect the user from harm.
- ▶ The refrigerant circuit has been checked for leaks. The wine conditioning unit complies with statutory safety requirements.



- ▶ This wine conditioning unit contains the coolant Isobutane (R600a), a natural gas which is environmentally friendly. The coolant does not damage the ozone layer and does not contribute to the greenhouse effect.

The use of this coolant has, however, led to a slight increase in the noise level of the appliance. In addition to the noise of the compressor, you might be able to hear the coolant flowing around the cooling circuit. Unfortunately, this cannot be avoided, but it does not affect the performance of the wine conditioning unit.

When transporting and installing the wine conditioning unit, ensure that no parts of the cooling circuit are damaged. Splashes of coolant can damage the eyes.

In the event of damage:

- Avoid open flames or anything which creates a spark.
- Disconnect the wine conditioning unit from the electricity supply.
- Ventilate the room where the wine conditioning unit is located for several minutes.

IMPORTANT SAFETY INSTRUCTIONS

- Contact Miele Service.
- ▶ The more coolant there is in a wine conditioning unit, the larger the room it should be installed in. In the event of a leakage, if the wine conditioning is in a small room, there is the danger of combustible gases building up. For every 0.38 oz (11 g) of coolant at least 35.3 cubic feet (1 m³) of room space is required. The amount of coolant in the wine conditioning unit is stated on the data plate inside the wine conditioning unit.
- ▶ To avoid the risk of damage to the wine conditioning unit, make sure that the connection data (fuse rating, frequency and voltage) on the data plate corresponds to the household supply. Check that this is the case before connecting the wine conditioning unit. Consult a qualified electrician if in any doubt.
- ▶ The electrical safety of the wine conditioning unit can only be guaranteed when correctly grounded. It is essential that this standard safety requirement is met. If in any doubt please have the electrical installation tested by a qualified electrician.
- ▶ Reliable and safe operation of the wine conditioning unit can only be guaranteed if it is connected to the power supply.
- ▶ Do not connect the appliance to the electrical supply with a power bar or extension cord. These are a fire hazard and do not guarantee the required safety of the appliance.
- ▶ If moisture gets into electrical components or into the power cord, it could cause a short circuit. Therefore, do not operate the wine conditioning in areas where there may be moisture or splashing water (e.g., garages, laundry rooms).
- ▶ This wine conditioning unit must not be used in a non-stationary location (e.g. on a ship).
- ▶ Before installation and use check the wine conditioning unit for any visible damage. Do not operate or install a damaged appliance.

IMPORTANT SAFETY INSTRUCTIONS

- ▶ To ensure safe operation, use the wine conditioning unit only when it has been installed.
- ▶ The wine conditioning unit must be disconnected from the power supply during installation, side-by-side heater installation, maintenance and repair work. The appliance is only disconnected from the power supply if:
 - the circuit breaker has been tripped, or
 - the power cord has been unplugged. Pull on the plug and not on the cord when removing it from the outlet.
- ▶ Installation, repair, and maintenance work should only be performed by a Miele-authorized service technician. Work by unqualified persons could be dangerous and may void the warranty.
- ▶ Repairs and other work performed by unauthorized persons could be dangerous and may void the warranty.
- ▶ Faulty components must only be replaced by genuine Miele replacement parts. Miele can only guarantee the safety standards of the appliance when Miele replacement parts are used.

Proper use

- ▶ The wine conditioning unit is designed for use within a certain climate range (ambient temperatures) and should not be used outside this range. The climate range for your wine conditioning unit is stated on the data plate inside the appliance. Installing it in a room with too low an ambient temperature will cause the compressor to shut down for longer periods of time so that the unit cannot maintain the required temperature.
- ▶ Do not cover or block the air vents. This can impair the efficiency of the appliance, increase the power consumption and cause damage to the appliance.

IMPORTANT SAFETY INSTRUCTIONS

- ▶ If the wine conditioning unit is used for storing food which contains fat or oil, make sure that it does not come into contact with plastic components. Any spillages of oil or fat could cause stress cracks to the plastic and cause it to break or split.
- ▶ Risk of fire and explosion. Do not store explosive materials in the wine conditioning unit or any products containing propellants (e.g., spray cans). Electrical components can cause flammable mixes of gases to ignite.
- ▶ Risk of explosion. Do not operate any electrical appliances inside the wine conditioning unit. Risk of sparking and explosion.
- ▶ Use only genuine original Miele parts. If parts or accessories from other manufacturers are used, the warranty may become invalid.

Cleaning and care

- ▶ Do not use any oil or grease on the door seals. They can cause the seals to deteriorate over time.
- ▶ Do not use a steam cleaning appliance to clean this wine conditioning unit. The steam could reach electrical components and cause a short circuit.
- ▶ Sharp edged or pointed objects will damage the evaporator, causing irreversible damage to the wine conditioning unit. Do not use sharp edged or pointed objects to
 - remove frost and ice,
 - remove labels, stickers, etc.

IMPORTANT SAFETY INSTRUCTIONS

Transport

- ▶ Always transport the wine conditioning unit in an upright position and in its original transport packaging to avoid damage in transit.
- ▶ Risk of injury and damage. The wine conditioning unit is very heavy and must be transported by two people.

Disposing of your old appliance

- ▶ If your old wine conditioning unit or refrigerator has a door lock, destroy it.
This will prevent the risk of children playing accidentally locking themselves in and endangering their lives.
- ▶ Splashes of coolant can cause damage to the eyes. Be careful not to damage any part of the pipework while awaiting disposal, e.g. by
 - puncturing the coolant channels in the evaporator,
 - kinking any pipework,
 - scratching the surface coating.

Caring for the environment

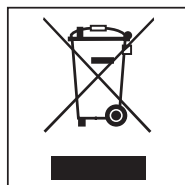
Disposal of packaging material

The packaging is designed to protect the wine conditioning unit from damage during transportation. The packaging materials used are selected from materials which are environmentally friendly for disposal and should be recycled.

Ensure that any plastic wrappings, bags, etc. are disposed of safely and kept out of the reach of children. Return the packaging to your dealer.

Disposal of your old appliance

Electrical and electronic appliances contain valuable materials. They also contain certain substances, compounds and components which were essential for the proper functioning and safe use of the equipment. Handling these materials improperly by disposing of them in your household waste can be harmful to your health and the environment. Therefore, please do not dispose of your old appliance with regular household waste and follow local regulations on proper disposal.



Consult with local authorities, dealers or Miele in order to dispose of and recycle electrical and electronic appliances. Miele assumes no responsibility for deleting any personal data left on the appliance being disposed.

Take care not to damage the pipework at the back of your wine conditioning unit before or during transportation to an authorized, environmentally friendly collection depot.

This way, coolant in the pipework and oil in the compressor will be contained, and will not leak into the environment.

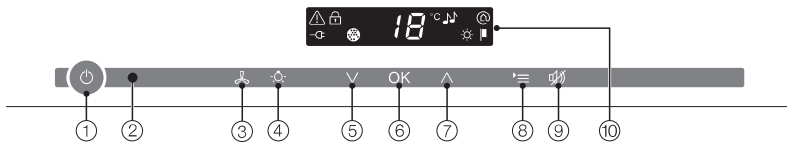
Please ensure that your old appliance does not pose a danger to children while being stored prior to disposal. See "IMPORTANT SAFETY INSTRUCTIONS" for more information.

Saving energy

	Normal energy consumption	Increased energy consumption
Installation/main-tenance	In a well-ventilated room.	In an enclosed, poorly ventilated room.
	Protected from direct sunlight.	In direct sunlight.
	Away from heat sources (heater element, range).	Near a heat source (heater element, range).
	Where the ideal room temperature is approx. 70°F (20°C).	Where the ambient room temperature is above 75°F (25°C).
	Ventilation grille unobstructed and dusted regularly.	Where the ventilation gaps are blocked and full of dust.
	Remove and clean the air filter with a vacuum cleaner at least once a year.	If dust has accumulated on the air filter.
Temperature setting	50° to 54°F / 10° to 12°C	The lower the temperature in the appliance, the higher the energy consumption.
Use	Wooden shelves arranged as they were when the appliance was delivered.	
	Only open the door when necessary and for as short a time as possible. Store wine bottles in an organized way.	Frequent opening of the door for long periods will cause a loss of coldness. The wine conditioning unit works harder to cool down and the compressor runs for longer periods.
	Do not overfill the appliance in order to allow the air to circulate.	Poor air circulation will cause a loss of coldness.








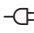

Guide to the appliance

Control panel

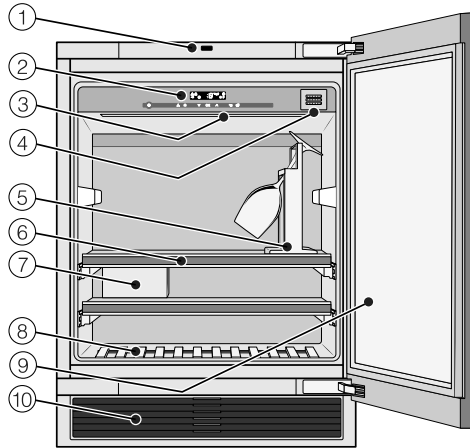


- ① On/Off of the entire appliance
- ② Optical interface
(for Miele Technical Service only)
- ③ For switching the DynaCool function
(constant humidity) on and off
- ④ For switching the feature lighting on and off
- ⑤ For setting the temperature
(∨ for colder)
- ⑥ For confirming your selection (OK sensor)
- ⑦ For setting the temperature
(^ for warmer)
- ⑧ For selecting and deselecting settings mode
- ⑨ For switching the temperature or door alarm off
- ⑩ Display with temperature display and symbols
(Symbols only visible in settings mode; see chart for an explanation of the symbols)

Explanation of symbols

Symbol	Meaning	Function
	Safety lock	To prevent inadvertent switching off and altering of settings
°C °F	Celsius (°C) or Fahrenheit (°F)	For selecting the temperature unit
	Acoustic signals	Choice of sensor tone and door alarm tone
	Miele@home (if available)	Only visible when the Miele@home communication module or communication stick is used (see “Miele@home”)
	Demo mode (only visible when Demo mode is active)	For turning off Demo mode
	Display Brightness Settings	For adjusting the brightness of the display
	Active AirClean filter	Lights up when the filter needs changing
	Sabbath Mode	For turning Sabbath mode on and off
	Power connection (only visible when wine conditioning unit is switched off)	Confirms that the wine conditioning unit is connected to the electricity supply; flashes in the event of a power failure
	Alarm (only visible when the door or temperature alarm sounds)	Lights up when there is a door alarm; flashes when there is a temperature alarm, power outage or other fault

Guide to the appliance



- ① Door-opening aid (Push2open)
- ② Control panel
- ③ Lighting strip
- ④ Active AirClean filter
- ⑤ Glass holder*
- ⑥ Wooden shelves with labels (FlexiFrames with Noteboard)
- ⑦ Bottle holder* (ConvinoBox)
- ⑧ Decorative shelf
- ⑨ Safety glass door with UV filter
- ⑩ Ventilation grille with air filter

*** The SommelierSet consists of:**

A glass holder, a bottle holder, and two covers for the runners.

Guide to the appliance

Using the door-opening aid correctly

The Push2open system on your wine conditioning unit makes it easy to open the door. The appliance door on your wine conditioning unit is sensitive to pressure.

The Push2open system is deactivated at the factory. The system has to be activated by touching the On/Off sensor only when the appliance has been installed in the niche (see “Switching the wine conditioning unit on and off”).

Opening the door

 Risk of damage!

To avoid damage to the door-opening aid:

Do not obstruct the appliance door while it is opening.

Do not push in or hold onto the door catch while the door is closing.

- Press gently against the appliance door and then release it. The door will then open a little way automatically.
- Then pull the door fully open.

To protect against inadvertent opening: if you do not open the door wider, it closes again by itself after approx. 3 seconds.

Closing the door

- Push the door shut.

Please note that using magnets directly in front of the wine conditioning unit door can cause it to open unintentionally. This is caused by the door-closing mechanism on the wine conditioning unit.

Accessories supplied

Chalk

Use the chalk supplied to write on the magnetic strips on the wooden shelves for easy identification of the wines in storage.

Active AirClean filter

The Active AirClean filter ensures optimum air exchange and therefore excellent air quality in the wine conditioning unit.

Air filter

The air filter behind the ventilation grille protects the cooling system from dust.

Optional accessories

A range of useful Miele accessories and care products are available for your wine conditioning unit.

WiFi stick (Miele@home)

The WiFi stick enables your wine conditioning unit to communicate, so that you can access appliance data at any time.

The WiFi stick must be installed by Miele Technical Service.

Active AirClean filter

See “Accessories supplied” for a description.

Side-by-side merge kit

For high quality side-by-side combination of two wine conditioning units.

Optional accessories are available from Miele, your Miele dealer or online via the Miele website.

Switching the wine conditioning unit on and off

Before first use

Packaging material

- Remove all packaging material from the inside of the appliance.

Protective film (depending on model)

Stainless steel surfaces have a layer of protective film to prevent scratching during transportation.

- Do not remove the film until the wine conditioning unit has been installed in its final location. Start at one of the top corners.

Cleaning


Please refer to the relevant instructions in “Cleaning and care”.


- Clean the inside of the wine conditioning unit and the accessories.

Operating the wine conditioning unit

A light touch of the finger on the sensors is all that is required to operate this wine conditioning unit.

Every touch of a sensor is confirmed with an audible keypad tone. This keypad tone can be switched off (see “Acoustic signals 🎵” under “Selecting additional settings”).

The power connection symbol  will go out and the wine conditioning unit will start to cool.


The first time the appliance is turned on, the alarm symbol  will flash until the selected temperature has been reached.


The interior lighting comes on when the door is opened.

Switching the wine conditioning unit on and off

Switching the wine unit off



- Touch the On/Off sensor.
If this is not possible, the safety lock  is activated.

The temperature shown in the display will go out and the power connection symbol  appears.


The interior lighting goes out and cooling is turned off.

Turning off the wine unit in Sabbath mode

You can turn the wine unit off at any time.



- Touch the On/Off sensor.

The temperature shown in the display will go out and the power connection symbol  appears.

The interior lighting goes out and cooling is turned off.

As soon as the wine unit is turned on again the Sabbath mode is switched off.

Switching off for longer periods of time

If the wine storage unit is not going to be used for a longer period of time:

- Switch the wine storage unit off.
- Unplug the appliance or switch off the breaker.
- Clean the wine storage unit.
- Leave the door to the wine storage unit ajar to enable air to circulate and to avoid odors building up inside it.

If, during a long absence, the wine storage unit is switched off but not cleaned and the door(s) left shut, there is a danger of bacteria building up inside the appliance.

The wine storage unit must be cleaned.

Selecting additional settings

Certain settings on the wine conditioning unit can only be selected in settings mode.

The door alarm is automatically disabled when the appliance is in settings mode.

Safety lock


The safety lock can be activated to prevent:

- the appliance being turned off by mistake,
- the temperature being changed by mistake,
- DynaCool being turned on by mistake,
- the feature lighting being turned on by mistake.

Activating and deactivating the safety lock




- Touch the settings sensor.


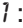
All symbols available for selection will appear in the display and the  symbol flashes.



- Touch the OK sensor to confirm your selection.


The last selected setting flashes and the  symbol lights up in the display.



- By touching the \wedge or ∇ sensor, you can now select whether the safety lock is activated or deactivated:
: the safety lock is deactivated
: the safety lock is activated.




- Touch the OK sensor to confirm your selection.

The selected setting will be adopted and the  symbol will flash.



- Touch the settings sensor to leave the settings mode. Otherwise the appliance will exit the settings mode automatically after approximately one minute.

The  symbol will appear in the display when the safety lock is activated.

Selecting additional settings


Temperature unit (Celsius or Fahrenheit)

The temperature can be displayed in either Fahrenheit °F or Celsius °C. Degrees Fahrenheit °F is the factory setting.

Setting the temperature display to Celsius



- Touch the settings sensor.

All symbols available for selection will appear on the display and the  symbol will flash.



- Touch the sensors for setting the temperature (∧ or ∨) repeatedly until °C and °F flash on the display.



- Touch the OK sensor to confirm the selection.

°F will flash on the display.



- You can now select °C by touching the ∧ or ∨ sensors.



- Touch the OK sensor to confirm the selection.

The selected setting is saved.



- Touch the settings sensor to exit settings mode.
If you do not do this, the appliance electronics will exit settings mode automatically after approximately 1 minute.


The temperature will now be displayed in Celsius.

Selecting additional settings

Setting the temperature display to Fahrenheit



- Touch the settings sensor.

All symbols available for selection will appear on the display and the  symbol will flash.



- Touch the sensors for setting the temperature (\wedge or \vee) repeatedly until $^{\circ}\text{C}$ and $^{\circ}\text{F}$ flash on the display.



- Touch the OK sensor to confirm the selection.

$^{\circ}\text{C}$ will flash on the display.



- You can now select $^{\circ}\text{F}$ by touching the \wedge or \vee sensors.



- Touch the OK sensor to confirm the selection.

The selected setting is saved.



- Touch the settings sensor to exit settings mode.
If you do not do this, the appliance electronics will exit settings mode automatically after approximately 1 minute.

The temperature will now be displayed in Fahrenheit.

Selecting additional settings

Acoustic signals 🎵

The wine conditioning unit has audible tones such as the sensor tone and the door and temperature alarms.

You can turn the sensor tone or the acoustic door alarm on or off, but you cannot turn off the temperature alarm.

There are four settings to choose from. Option 3 is set at the factory, this means that the sensor tone and the door alarm are turned on.

Switching acoustic signals on/off



- Touch the settings sensor.

All symbols available for selection will appear on the display and the 🔒 symbol will flash.



- Touch the sensors for setting the temperature (^ or v) repeatedly until the 🎵 symbol flashes on the display.



- Touch the OK sensor to confirm the selection.

The most recently selected setting flashes and the 🎵 symbol lights up on the display.



- Now touch the ^ or v sensors to select:

∅: keypad tone off; door alarm off

1: keypad tone off; door alarm on (after 4 minutes)

2: keypad tone off; door alarm on (after 2 minutes)

3: keypad tone on; door alarm on (after 2 minutes)



- Touch the OK sensor to confirm the selection.

The selected setting is applied; the 🎵 symbol flashes.



- Touch the settings sensor to exit settings mode.
If you do not do this, the appliance electronics will exit settings mode automatically after approximately 1 minute.

Selecting additional settings

Display brightness


You can adjust the brightness of the display to suit the ambient light conditions in the room.

The display brightness can be adjusted incrementally from 1 to 3. The factory default setting is 3 (maximum brightness).


Changing the brightness of the display



- Touch the settings sensor.


All symbols available for selection will appear in the display and the  symbol flashes.



- Touch the sensors for setting the temperature (\wedge or \vee) repeatedly until the  symbol flashes in the display.



- Touch the OK sensor to confirm your selection.


The last selected setting flashes and the  symbol lights up in the display.



- By touching the \wedge or \vee sensor, you can now alter the brightness of the display:
1 : Dimmest setting
2 : Medium setting
3 : Brightest setting.



- Touch the OK sensor to confirm your selection.

The selected setting will be adopted and the  symbol will flash.



- Touch the settings sensor to leave the settings mode.
Otherwise the appliance will exit the settings mode automatically after approximately one minute.

Selecting additional settings

Sabbath mode

The Sabbath mode supports the observance of religious customs.

The following are turned off:

- the interior lighting when the door is opened,
- all acoustic and optical signals
- the temperature display,
- the DynaCool function (if previously activated),

The following can be selected:

- the Settings sensor for turning off Sabbath mode
- and the On/Off sensor

The Sabbath mode function will turn itself off automatically after approx. 120 hours.


Ensure that the wine unit door is properly closed as visual and audible alarms are turned off.

Any interruption to the power supply during this time will not be shown in the display. After a power cut, the appliance restarts in Sabbath mode.


Turning on Sabbath mode



- Touch the Settings sensor.


All symbols available for selection will appear in the display and the  symbol flashes.



- Touch the sensors for setting the temperature (\wedge or \vee) repeatedly until the  symbol flashes in the display.



- Touch the OK sensor to confirm your selection.


The last selected setting flashes and the  symbol lights up in the display.




- By touching the \wedge or \vee sensor you can now switch on Sabbath mode. To do this, select the 7 setting.



- Touch the OK sensor to confirm your selection.

The selected setting is applied, the  symbol lights up.

Selecting additional settings

As soon as the  symbol goes out in the display after 3 seconds, Sabbath mode is switched on.

- Turn off Sabbath mode after the Sabbath has passed.

Turning off Sabbath mode



- Touch the Settings sensor to leave Sabbath mode.

The temperature will appear in the display and the interior lighting will come on.

Optimum temperature and air quality

Wine continues to mature depending on the surrounding conditions. The length of time for which wine can be kept in good condition will therefore depend not only on the temperature but also on the air quality.

The wine conditioning unit with its constant ideal temperature, increased air humidity and odor-free atmosphere offers the perfect conditions for storing your wine.

The wine conditioning unit also guarantees a vibration-free environment (in contrast to a refrigerator) so that the maturing process is not disturbed.

Temperature

Wine can be stored at a temperature between 42° and 64°F (6° and 18°C). If you are storing white and red wines together, select a temperature between 53° and 57°F (12° and 14°C). This is suitable for both white and red wines. Red wine should be taken out of the wine conditioning unit and opened at least two hours before drinking to allow it to breathe and develop its aroma.

At too high a temperature (over 72°F / 22°C), wine matures too quickly, which prevents the aromas from developing further. Wine cannot mature fully at too low a temperature (below 41°F / 5°C).

Fluctuations in temperature put wine under stress and interrupt the maturing process. It is therefore very important to maintain a constant temperature.

Type of wine	Recommended drinking temperature
Light, fruity red wines:	57° to 61°F (14° to 16°C)
Full-bodied red wines:	64°F (18°C)
Rosé wines:	46° to 50°F (8° to 10°C)
Delicate, aromatic white wines:	46° to 54°F (8° to 12°C)
Full-bodied or sweet white wines:	46° to +57°F (12° to 14°C)
Champagne, sparkling white wines:	43° to 50°F (6° to 10°C)

Tip: Store the wine 1° or 2° cooler than the recommended drinking temperature as it warms up a little when poured into the glass.

Tip: Full-bodied reds should be opened for 2-3 hours before drinking to allow it to breathe and develop its aroma.

Optimum temperature and air quality

Safety device in case of low ambient temperatures

The appliance is equipped with a safety thermostat to protect your wine against a sharp drop in temperature. If the external temperature should drop below this level, a heater element turns on automatically to keep the temperature inside as constant as possible. If the ambient temperature continues to fall, the appliance switches itself off automatically.

Sets the temperature

- Use the two buttons underneath the display to set the temperature.

By touching the button:



- the temperature will get colder



- the temperature will get warmer.



- Tap the OK button to confirm your selection

or

- wait approx. 5 seconds after the last press of the button.

The temperature being set will flash in the display.

When you touch the sensors, you will see the following changes in the display:

- With the first touch: The **last temperature selected** flashes.
- Each subsequent touch of the sensor: The temperature changes in 1°C increments.
- Keeping your finger on the button: The temperature changes continuously.

A tone will sound (if the keypad tone is switched on) when the lowest or highest possible temperature is reached.

Approx. 5 seconds after you release the button, the **actual** temperature value in the appliance will be displayed.

When the temperature is altered, there is a short delay until the temperature selected is set.

The temperature display in the control panel always shows the **actual** temperature.

Optimum temperature and air quality

Temperature range

The temperature can be set between 41° and 68°F (5° and 20°C).

Temperature display

In normal operation the temperature display shows the actual temperature in the appliance.

If the temperature in one of the zones is not within the range that the appliance is able to display, dashes will light up in the temperature display.

Depending on the ambient temperature and the temperature setting, it can take the appliance a few hours to reach the temperature required and for this temperature to then be shown as a constant temperature in the display.

Air quality and humidity

In most refrigerators, the humidity is too low for wine and therefore a refrigerator is not suitable for wine storage. High humidity levels are necessary when storing wine to moisturize corks from the outside. When the humidity is too low the corks dry out and the bottle is no longer tightly sealed. For this reason wine bottles should always be stored horizontally to ensure that corks are also moisturized from the inside. If air gets into the bottle, this will have a negative impact on the wine.



Risk of damage caused by excess moisture.

This will lead to condensation on the interior walls, which can cause corrosion damage.

Do **not** introduce additional moisture into the air, e.g., by placing a dish of water inside the wine conditioning unit.

Optimum temperature and air quality

Using

DynaCool (constant humidity)

DynaCool raises the relative humidity inside the whole of the wine conditioning unit. It also distributes the humidity and the temperature evenly around the interior so that you can store all your wine under the same excellent conditions.

This will create a stable climate in the unit which imitates that of a wine cellar.

Switching on DynaCool

If you would like to use the wine conditioning unit to store wine over the long term, we recommend that you keep the DynaCool function switched on.



- Touch the sensor to switch the DynaCool function on/off. The sensor will be highlighted in yellow.

Even if DynaCool has not been switched on, the fans in the wine conditioning unit will come on automatically as soon as the cooling system switches on. This ensures the optimum climate for your wine is maintained.

The fans automatically switch off when the appliance door is open.

Switching off DynaCool

The wine conditioning unit uses slightly more energy and is a little noisier when the DynaCool function is switched on. You can switch it off now and then if you wish.



- Touch the On/Off sensor of the DynaCool function so that it is no longer highlighted in yellow.

Air filtration with the Active AirClean filter


The Active AirClean filter achieves optimum air quality by filtering the incoming air.

Fresh air from the room enters the appliance via the Active AirClean filter.

The fans (DynaCool function) then distribute the air evenly throughout the wine conditioning unit.

Filtering the incoming air through the Active AirClean filter ensures that all air entering the appliance is fresh and free from dust and odors.


This also ensures your wine does not absorb any unwanted odors through the corks.

Replace the Active AirClean filter regularly. The  symbol will appear in the display to remind you (see “Active AirClean filter”).

Temperature and door alarm

The appliance is equipped with an alarm system so that the temperature cannot rise or fall unnoticed, which could possibly damage the wine.


Temperature alarm

If the temperature becomes too warm or too cold, the alarm symbol  will flash in the display.

An alarm will also sound.

The audio and visual signals are triggered, for example:

- when the wine conditioning unit is switched on if the temperature differs greatly from the set temperature,
- when too much warm ambient air enters the cabinet when bottles are being rearranged or taken out;
- when a large number of bottles are stored for the first time,
- in the event of a power cut.

The alarm will stop and the alarm symbol  goes out as soon as the temperature has dropped to the correct level again.


Switching the temperature alarm off early

If the acoustic alarm disturbs you, it can be switched off.





- Touch the button to turn off the temperature alarm.

The alarm will stop.

The alarm symbol  will continue to flash until the set temperature has been reached.

Door alarm

An alarm will sound if the door has been left open for longer than 2 minutes. The alarm symbol  will light up in the display.

The alarm will stop and the alarm symbol  will go out as soon as the door is closed.


Turning the door alarm off early

If the acoustic alarm disturbs you, it can be switched off.



- Touch the button to turn off the door alarm.

The alarm will stop.

The alarm symbol  will continue to be displayed until the door is closed.

If the audible tone does not sound in the event of a door alarm, then the audible tone has been turned off in Setting mode (see “Selecting additional settings - Audible tones”).

Feature lighting

The interior lighting can be set to remain on when the door is closed so your wines can be on display at all times.

Thanks to the use of LED lighting, the wine will not be adversely affected by heat or UV light.

Switching the feature lighting on and off



- Touch the On/Off sensor for the feature lighting so that it is highlighted in yellow.

The interior lighting is now switched on, even when the appliance door is closed.

To switch the feature lighting off again:

- Touch the On/Off sensor for the feature lighting so that it is no longer highlighted in yellow.

The interior lighting is now switched off when the appliance door is closed.

Setting the brightness of the feature lighting

The brightness of the feature lighting can be adjusted.



- Touch the On/Off sensor for the feature lighting so that it is highlighted in yellow.
- Touch the sensor for the feature lighting again for approximately 4 seconds until *l* flashes in the display (after 2 seconds, *h* will flash).
- Use the sensors for altering the temperature to set the feature lighting brightness (∇ and \wedge). To do this, touch and hold the sensors. The brightness is adjusted directly and is infinitely variable. The results are not visible in the display.

By touching the sensor:



- The lighting becomes dimmer.



- The lighting becomes brighter.



- Touch the OK sensor to confirm your choice.

The set brightness is saved to memory. The temperature display then appears again.

As soon as the appliance door is closed, the set brightness for the feature lighting takes effect. When the appliance door is opened, the interior lighting returns to its normal level.

Lighting duration of the feature lighting

The lighting duration for the feature lighting is set to 30 minutes at the factory.

The lighting duration can be set to 30, 60, 90 minutes, up to 00 (unlimited). The feature lighting will have the brightness setting you have selected previously.

- Open the appliance door.



- Touch the On/Off sensor for the feature lighting so that it is highlighted in yellow.
- Touch the sensor for the feature lighting again (approx. two seconds), until the *h* flashes in the display.
- Use the sensors for altering the temperature (∇ and \wedge) to set the feature lighting duration. The times (in minutes) will flash in the display.

By touching the sensors



- the lighting duration is reduced by 30 minutes




- the lighting duration is increased by 30 minutes.



- Touch the OK sensor to confirm your choice.

The selected lighting duration is saved. The temperature reappears in the display.

The set lighting duration starts again whenever the appliance door is opened and closed.


 Risk of injury from LED lighting. This lighting corresponds to risk group RG 2. If the cover is defective, there is a risk of eye injury. If the lighting cover is defective, do not look from a close range directly into the lighting with optical instruments (e.g., magnifying glass or similar).


Storing wine bottles

Vibration and movement have a negative effect on the maturing process which can in turn affect the taste of the wine.


To avoid disturbing other bottles when removing a bottle of wine, store bottles of the same type beside each other on the same shelf. Avoid stacking bottles on top of one another on the wooden shelves.

Always place the bottles in a horizontal position so that the natural corks can be kept moist on the inside and air is prevented from getting into the bottles.

Tip: We also recommend increasing the humidity level inside the wine conditioning unit for wine bottles with natural corks (see “Using DynaCool  (constant humidity)” under “Optimum temperature and air quality”).

 Risk of injury from falling wine bottles.

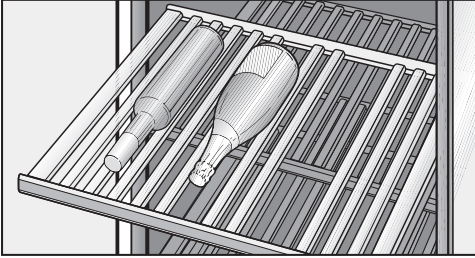
Wine bottles may become wedged in the wooden shelves above and fall out of the wine conditioning unit when the shelves are pulled out. Always pull out the wooden shelves slowly and carefully.

 Risk of damage and injury from broken glass.

If wooden shelves and bottles protrude too far forwards, they will damage the glass door when it is closed. Please ensure that the wooden shelves and wine bottles do not protrude.

Do not cover the vents in the rear wall, as they are essential for keeping the appliance cool.

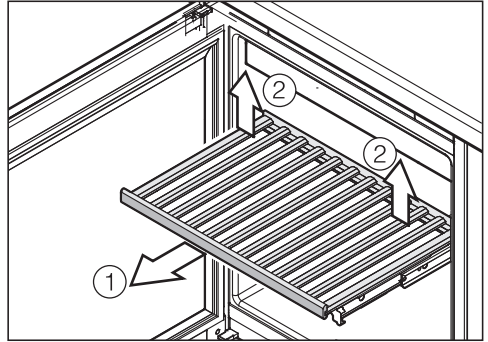
Wooden shelves



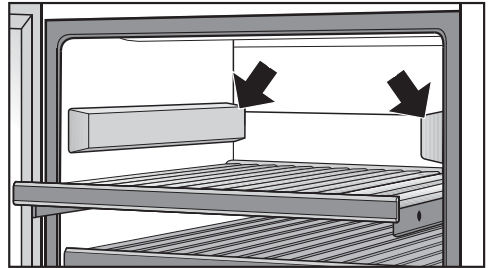
The wooden shelves are mounted on telescopic runners which can be pulled out to make it easier to store and remove bottles.

Moving the wooden shelves

The wooden shelves can be removed and replaced again if required.

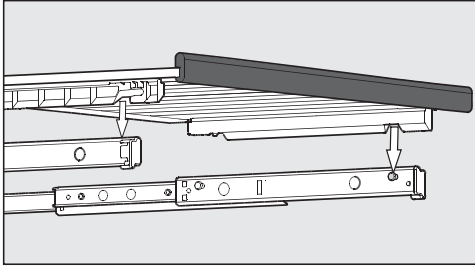


- Pull the wooden shelf out until it stops ①.
- Release the wooden shelf at the back, lifting the shelf on the left and right at the same time ②.
- Lift the wooden shelf forwards to remove it.

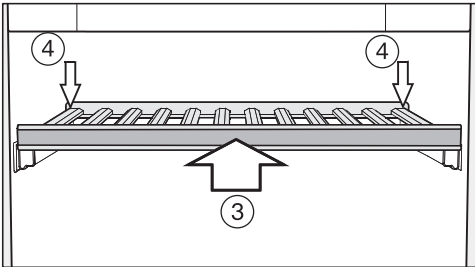


- If you require more room, cover the runners at the top on both sides which are now not needed with the covers supplied. The thicker side of the cover should point forwards. The covers are held in position with magnets.

Storing wine bottles



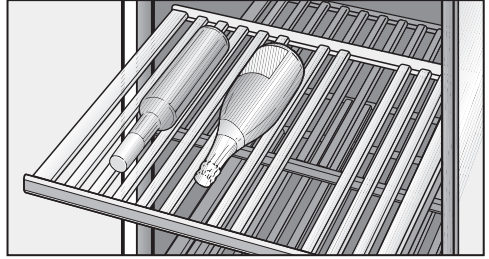
- To replace the wooden shelf, position it on the extended runners. The notches in the wooden shelf fit over the retaining pins. The magnetic strip should be pointing forwards.



- Slide the wooden shelf back into the appliance as far as it will go ③ .
- Push the wooden shelf right back so that it clicks into place at the front.
- Press down on the back of the wooden shelf so that it clicks into place at the back ④ .

Adjusting the wooden shelves

The slats in the wooden shelves can be individually adjusted to suit, so that every bottle is stored in perfect safety regardless of shape or size.



- Simply lift individual slats to move or remove them from the wooden shelves. This makes it easy to adjust the wooden shelf for any size of your wine bottle.

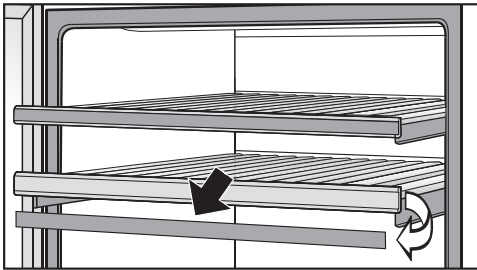
The slats in the decor shelf (at the bottom of the appliance) cannot be adjusted.

Storing wine bottles


Labeling the wooden racks

For quick and easy identification of the wines stored, you can write on the blackboard-painted surface on the magnetic strips on the wooden shelves.

Use the chalk supplied. You can write directly on the magnetic strip or remove it from the wooden shelf. To do so:



- Hold the magnetic strip by the sides and pull it forwards. The magnetic strip is held on the wooden shelf by magnets.
- The magnetic strip can be wiped clean with a damp cloth.

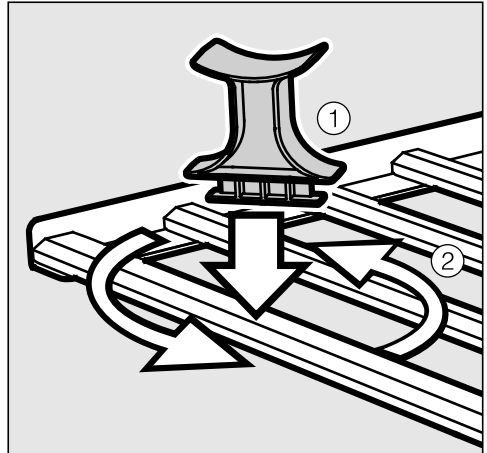
 Risk of damage from unsuitable cleaning methods.

Cleaning the magnetic strips with a cleaning agent may damage the blackboard surface on them. Use clean water only to wipe the magnetic strips.

- Annotate the magnetic strip with the chalk supplied and replace it on the front of the wooden shelf.

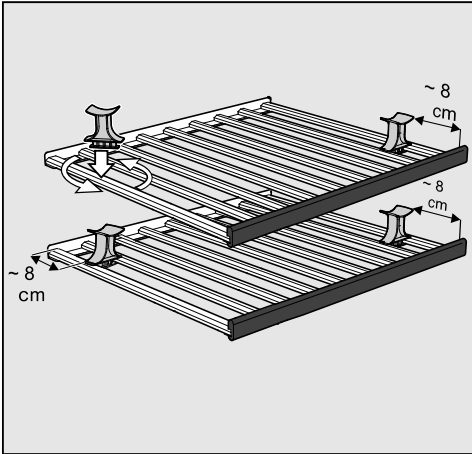
Securing bottle holders

Up to four additional bottles can be supported by bottle holders in the top two wooden shelves.



- Fit the bottle holders at an angle between the two outer slats ①.
- Then twist the bottle holder so that it sits across the slats ②.

Storing wine bottles

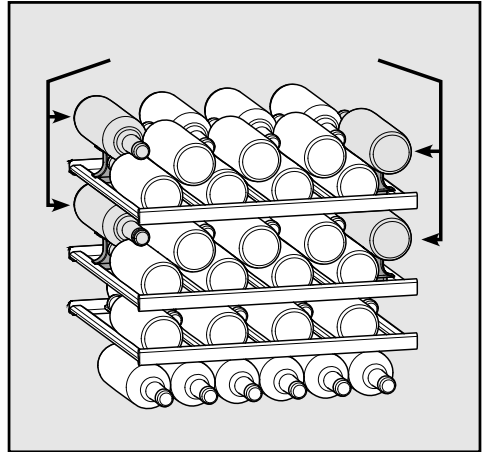


- Slide the bottle holders in the positions shown in the drawing.
- Then lay the bottles on them.

Inserting the decor shelf

- Place the decor shelf at the very bottom of the appliance (see “Guide to the appliance”).

Maximum capacity Without SommelierSet

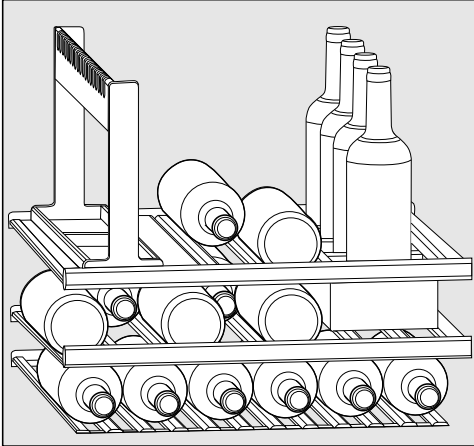


Up to 46 Bordeaux bottles (0.75 L (25.4 fl oz.)) can be stored in the appliance.

The maximum number of bottles can only be achieved by using all of the wooden shelves.

Please note that each wooden shelf has a maximum load-bearing capacity of 25 kg (55 lb). Do not stack bottles more than 2 layers high on the wooden shelves.

With SommelierSet



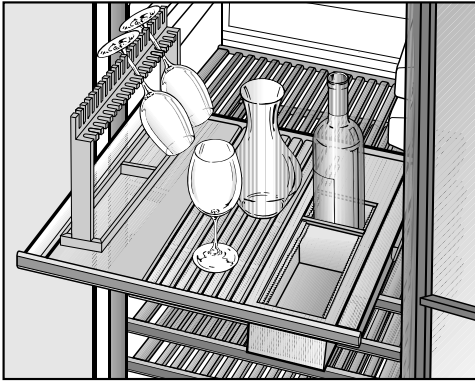
Up to 17 Bordeaux bottles (0.75 L (25.4 fl oz.)) can be stored in the wine conditioning unit.

The load-bearing capacity of each wooden shelf is max. 55 lb (25 kg).

SommelierSet

Setting up the SommelierSet

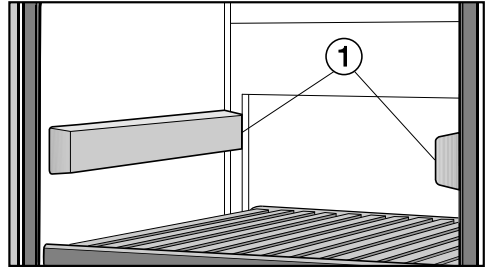
The SommelierSet can be used to have your wine ready for drinking. You can store wine glasses and accessories in the appliance, decant your wine, and store open bottles in the appliance.



To insert the SommelierSet, remove the wooden shelf above it first.

- Pull the wooden shelf out as far as it will go.
- Release the wooden shelf at the back, lifting the shelf on the left and right at the same time.
- Lift the wooden shelf forwards to remove it.

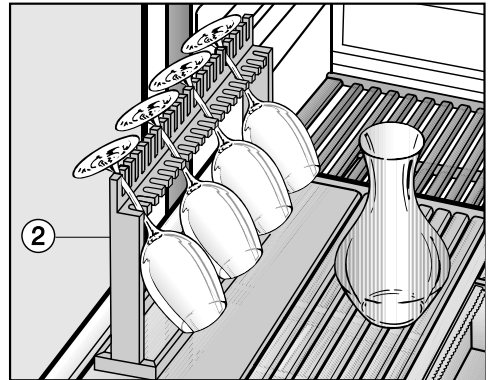
Fitting the runner covers



- Place the two covers supplied ① over the runners which are now visible with the thicker side of the cover pointing forwards.

Inserting the glass holder

This can be used for storing and chilling wine glasses.



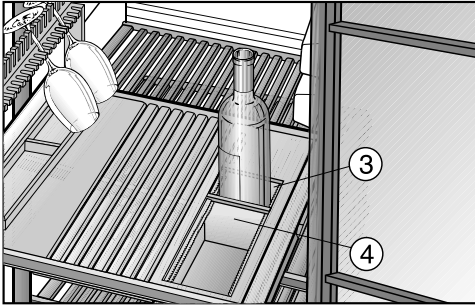
- To insert the glass holder ② remove the necessary number of slats and place the glass holder ② on the wooden shelf.

Tip: There are two compartments underneath the glass rail for accessories such as corkscrews, knives and chalk.

Tip: The wine decanter can be placed in the middle of the shelf, and stored there if you wish.

Inserting the bottle holder

You can store opened wine bottles in the bottle holder ③.




- Remove the necessary number of slats on the wooden shelf and place bottle holder ③ on it.
- Position the dividers ④ in the bottle holder to suit the size of bottles being held. They should be held securely and not rattle against each other.

Tip: For wine which has been opened, we recommend removing the oxygen from the bottle. Otherwise, the wine will lose its aroma and taste, and spoil more quickly. Special devices (a wine pump with bottle stopper, for example) create a vacuum by extracting the air.

Automatic defrosting

The wine conditioning unit defrosts automatically.

Do not let water get into the electronic, the ventilation grille, or the lighting.

 Risk of damage due to moisture penetration.

The steam from a steam cleaner can damage plastic and electrical components.

Do not use a steam cleaner to clean the wine conditioning unit.

The data plate located inside the wine conditioning unit must not be removed. It contains information which is required in the event of a service call.

Cleaning agents

To avoid damaging the surfaces of your appliance, **do not** use:

- cleaning agents containing soda, ammonia, acids, or chloride
- cleaning agents containing lime scale remover
- abrasive cleaning agents, such as scouring powder, scouring liquid, or pumice stones
- cleaning agents containing solvents
- stainless-steel cleaning agents
- dishwasher cleaner
- oven sprays
- glass cleaner (except on the glass in the appliance door)
- hard, abrasive sponges and brushes, such as pot scrubbers
- eraser sponges
- sharp metal scrapers

Cleaning and conditioning agents used inside the wine conditioning unit must be food safe.

We recommend using lukewarm water and a little liquid dish soap for cleaning.

Cleaning and care


Before cleaning the wine conditioning unit

- Switch off the appliance.
- Unplug the appliance or trip the circuit breaker.
- Take any wine bottles out of the wine conditioning unit and store them in a cool place.
- Take out all other removable parts for cleaning.
- Remove the magnetic strips from the wooden shelves before cleaning them (see “Labeling wooden shelves”).

Interior, accessories, and appliance door

Clean the wine conditioning unit regularly, or at least once a month. Clean up any spills, stains, or food immediately. Do not allow them to dry and stick to the appliance.

- Clean the interior with a solution of lukewarm water and liquid dish soap.
- The wooden parts should only be wiped with a well wrung-out damp cloth. They must **not** be allowed to get wet.

 Risk of damage due to incorrect cleaning. The blackboard coating on the magnetic strips may be damaged. Use clean water only to wipe the magnetic strips at the front of the wooden shelves. Do **not** use a cleaning agent.


- After cleaning, wipe the interior and accessories with a damp cloth and dry with a soft cloth. Leave the door open to air the wine conditioning unit for a short while.
- Clean the glass panes in the appliance door with a proprietary glass cleaner.

Cleaning the ventilation gaps

A build-up of dust will increase the energy consumption of the appliance.

- The ventilation gaps should be cleaned on a regular basis with a brush or vacuum cleaner (you could use a Miele Vacuum Cleaner dust brush, for example).

Cleaning the door seal

 Risk of damage as a result of incorrect cleaning.

If you treat the door seal with oil or grease, it can become porous. Do not use oil or grease on the door seal.

- The door seals should be cleaned regularly with clean water, and then wiped dry with a soft cloth.

Cleaning the air filter

- Clean the air filter behind the ventilation grille at least once a year.
- Remove the air filter and vacuum it thoroughly on both sides. A dirty filter can prevent the wine conditioning unit from cooling sufficiently.


After cleaning

- Replace all parts in the wine conditioning unit.
- Reconnect to the electricity supply and switch the wine conditioning unit back on.
- Place the wine bottles back in the wine conditioning unit and close the appliance door.

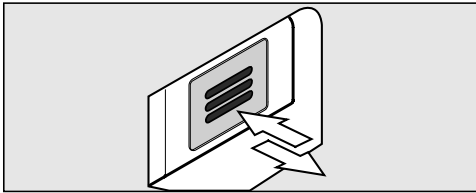
Active AirClean filter

Fresh air from the room enters the wine conditioning unit through the Active AirClean filter. Filtering the incoming air through the Active AirClean filter ensures that all air entering the appliance is fresh and free from dust and odors.

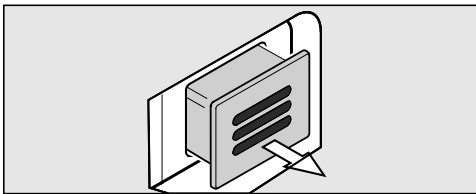
The reminder to change the Active AirClean filter will be displayed at the latest every 12 months.

When the Change Active AirClean filter symbol  lights up in the display, the Active AirClean filter must be changed.

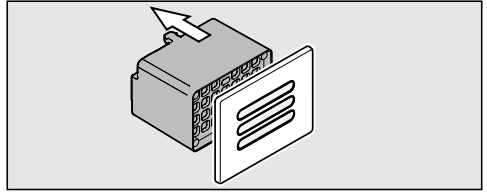
Replacing the Active AirClean filter



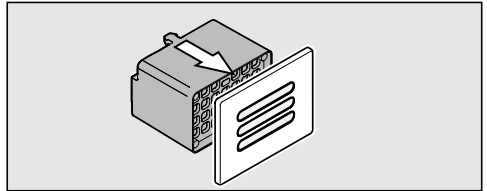
- Push the filter in and then release it.



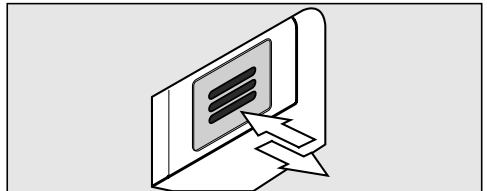
- Pull the filter out.



- Remove the back part of the filter from the cover.



- Push the new filter onto the cover.




- Insert the new filter.
- Push the filter in and then release it. The filter will lock into place automatically with an audible click.

Active charcoal filters can be obtained from Miele Technical Service, your local dealer or via the Miele website.




To confirm the filters have been changed,



- Touch the settings sensor.



All symbols available for selection will appear in the display and the  symbol flashes.






- Touch the sensors for setting the temperature ( or ) repeatedly until the  symbol flashes in the display.



- Touch the OK sensor to confirm your selection.


The  symbol flashes in the display (meaning: Active AirClean filter is installed in your wine conditioning unit), the  symbol lights up.



- Touch the sensors for setting the temperature ( or ) until the  symbol is displayed (meaning: the counter has been reset).



- Touch the OK sensor to confirm your selection.

The selected setting will be adopted and the  symbol will flash.



- Touch the settings sensor to leave the settings mode.

Otherwise the appliance will exit the settings mode automatically after approximately one minute.

The  in the display goes out.

Frequently asked questions





With the aid of this guide, minor problems can be corrected without a service call. If, having followed the suggestions below, you still cannot resolve the problem, please contact Miele Service.

To prevent cold air from escaping, open the appliance doors as little as possible until the malfunction has been corrected.



Unauthorized installation, maintenance and repairs can cause considerable danger for the user.

Installation, maintenance and repairs must only be carried out by a Miele authorized technician.






Problem	Possible cause and solution
<p>The wine conditioning unit is not getting cold, the interior lighting does not come on when the door is opened, and the display is not lit up.</p>	<p>The wine conditioning unit is not switched on and the power connection symbol  is lit up in the display.</p> <ul style="list-style-type: none"> ■ Switch on the wine conditioning unit.
	<p>The plug is not properly plugged into the electrical outlet.</p> <ul style="list-style-type: none"> ■ Insert the plug correctly into the outlet. The power connection symbol  appears in the display when the wine conditioning unit is switched off.
	<p>Check whether the fuse has tripped. If it has there could be a fault with the appliance, the household electrical wiring or another electrical appliance.</p> <ul style="list-style-type: none"> ■ Contact a qualified electrician or Miele Technical Service for assistance.
<p>The  symbol is displayed, the wine conditioning unit is not getting cold. However, the appliance and the interior lighting are working fine.</p>	<p>Demo mode is turned on and the  symbol is illuminated in the display.</p> <ul style="list-style-type: none"> ■ Turn off Demo mode (see “Information for dealers - Demo mode”).

Frequently asked questions



Problem	Possible cause and solution
<p>The compressor is switching on more frequently and for longer periods of time, the temperature in the wine conditioning unit is falling.</p>	<p>The temperature in the wine conditioning unit is set too low.</p> <ul style="list-style-type: none"> ■ Correct the temperature setting.
	<p>The door is not properly closed.</p> <ul style="list-style-type: none"> ■ Check whether the appliance door is properly closed.
	<p>The door was opened too frequently.</p> <ul style="list-style-type: none"> ■ Only open the door when necessary and for as short a time as possible.
	<p>The ventilation grilles are covered over or are dusty.</p> <ul style="list-style-type: none"> ■ Do not cover the air vents and dust them regularly.
	<p>The air filter is dusty.</p> <ul style="list-style-type: none"> ■ Clean the air filter (see “Cleaning and care”).
	<p>The ambient temperature is too warm.</p> <ul style="list-style-type: none"> ■ Decrease the ambient temperature.
<p>The compressor comes on less and less often and for shorter periods of time. The temperature inside the wine conditioning unit rises.</p>	<p>This is not a fault. The temperature is too high.</p> <ul style="list-style-type: none"> ■ Correct the temperature setting. ■ Check the temperature again after 24 hours.
	<p>The air filter in the appliance toe-kick is dirty.</p> <ul style="list-style-type: none"> ■ Clean the air filter (see “Cleaning and care”).

Frequently asked questions

Messages in the display

Message	Possible cause and solution
The alarm symbol  is lit up in the display and an alarm is also sounding.	The door alarm has been activated. ■ Close the appliance door. The alarm symbol  will go out and the alarm will stop.
The alarm symbol  is flashing in the display and an alarm is also sounding.	The temperature in the wine conditioning unit has risen higher or fallen lower than the temperature which has been set. For instance, this could be due to <ul style="list-style-type: none">– the door being opened too frequently,– blocked ventilation grilles,– a lengthy interruption to the power supply. ■ Correct the condition that caused the alarm. The alarm symbol  will go out as soon as the cause of the alarm has been rectified.
The Change Active Air-Clean filter symbol  is lit up.	This is the reminder to change the Active AirClean filter. ■ Replace the Active AirClean filter and then confirm the filter change in settings mode (see “Active Air-Clean Filter”).
A dash is lit up up/flash- ing in the display.	Only temperatures within the range of the appliance temperature will be displayed.
The sym- bols <i>F0</i> to <i>F3</i> or <i>S1</i> to <i>S3</i> appear in the display.	There is a fault. ■ Contact Technical Service.

The interior lighting is not working.

Problem	Possible cause and solution
<p>The LED interior lighting is not working.</p>	<p>The wine conditioning unit is not switched on.</p> <ul style="list-style-type: none"> ■ Switch the wine conditioning unit on. <p>To avoid overheating, the LED lighting switches itself off automatically after approx. 15 minutes if the appliance door is left open.</p> <p>If this is not the cause, then there is a fault.</p> <div style="border: 1px solid gray; padding: 5px; margin: 5px 0;"> <p> Risk of electric shock.</p> <p>There are live electrical components under the lighting cover.</p> <p>The LED lighting may only be repaired or replaced by Technical Service.</p> </div> <div style="border: 1px solid gray; padding: 5px; margin: 5px 0;"> <p> Risk of injury from LED lighting.</p> <p>This lighting corresponds to risk group RG 2. If the cover is defective, there is a risk of eye injury.</p> <p>If the lighting cover is defective, do not look from a close range directly into the lighting with optical instruments (e.g., magnifying glass or similar).</p> </div> <ul style="list-style-type: none"> ■ Contact Technical Service.
<p>The LED interior lighting is on even when the door is closed.</p>	<p>The feature lighting is turned on.</p> <ul style="list-style-type: none"> ■ Turn the feature lighting off (see “Feature lighting”).

Frequently asked questions

General problems with the wine conditioning unit

Problem	Possible cause and solution
An alarm does not sound even though the appliance door has been open for a long time.	This is not a fault. The alarm tone has been switched off in settings mode (see “Acoustic signals 🎵” under “Selecting additional settings”).
The wine conditioning unit cannot be switched off.	The safety lock has been activated. ■ Completely deactivate the safety lock (see “Activating and deactivating the safety lock 🔒” under “Selecting additional settings”).
The slats on the wooden shelves are warping.	Volume change due to moisture absorption or drying out is a typical characteristic of wood. An increase in humidity will cause wooden components to warp, which can lead to cracking. Knots and wavy grain are characteristic for wood and cannot be avoided.
Bacteria has begun to form on the wine bottle labels.	Bacteria may form on the labels, depending on the type of label adhesive used. ■ Clean the wine bottles and remove any adhesive residue.
A white deposit has formed on the wine bottle corks.	The corks have oxidized due to contact with the air. ■ Use a dry cloth to wipe off the deposit. The deposit will not affect the quality of the wine.

Causes of noises

Normal noises	Cause
Brrrrr...	A humming noise is made by the motor (compressor). This noise can get louder for brief periods when the motor switches on.
Blub, blub....	A gurgling noise can be heard when the coolant circulates through the pipes.
Click....	Clicking sounds occur whenever the thermostat switches the motor on or off.
Sssrrrrr....	On multi-zone wine conditioning units you can sometimes just hear the sound of the fan inside the appliance.
Crack...	A cracking sound can be heard when material inside the wine conditioning unit expands.
Please bear in mind that a certain amount of noise is unavoidable (from the compressor and the coolant circulating through the system).	

Noises that you can easily eliminate	Possible cause	Solution
Rattling, clinking	The wine conditioning unit is uneven.	Realign the wine conditioning unit using a spirit level, by raising or lowering the screw feet underneath the appliance.
	Shelves are unstable or sticking.	Check all removable items and refit them correctly.
	Bottles or containers are touching.	Separate them.
	The transport cord clip is still hanging on the back of the appliance.	Remove the clip.

Service and warranty

Technical service

In the event of a fault which you cannot easily correct yourself, please contact:

- your Miele dealer or
- Miele Technical Service.

Contact details can be found in the back of these operating and installation instructions.

Please quote the model and serial number of your appliance when contacting Miele.

This information is given on the data plate inside the wine conditioning unit.

Warranty

For additional information, please refer to your warranty booklet.

See the end of these operating and installation instructions for this telephone number.

MieleCare

MieleCare, our Extended Service Contract program; gives you the assurance of knowing that your appliance investment is covered by 5 years of worry-free ownership.


MieleCare is the only Extended Service Contract in the industry that guarantees repairs by a Miele Authorized Service Provider using genuine Miele parts. Only genuine Miele parts installed by factory-trained professionals can guarantee the safety, reliability and longevity of your Miele appliance.

Please note that unless expressly approved in writing by the Miele Service department, Extended Service Contracts offered by other providers for Miele products will not be recognized by Miele. Our goal is to prevent unauthorized (and untrained) service personnel from working on your Miele products, possibly doing further damage to them, you and/or your home.

To learn more about MieleCare Extended Service Contracts, please contact your appliance dealer or visit us online at:


<http://www.mieleusa.com>

Installation location


 Risk of damage and injury from the wine conditioning unit tipping over.

The wine conditioning unit is very heavy and can tip forward when the appliance door is open.

Keep the appliance door shut until the wine conditioning unit has been installed and secured in its installation niche in accordance with these operating and installation instructions.


 Risk of damage and injury from the wine conditioning unit tipping over.

There is an increased risk of injury and damage if the wine conditioning unit is installed by a single person. Two people are required for installing the wine conditioning unit.

 Fire hazard and risk of damage from appliances that give off heat.

Appliances which give off heat can catch fire and set fire to the wine conditioning unit.

This wine conditioning unit must not be installed underneath a cooktop.

 Fire hazard and risk of damage from appliances that give off heat.

Appliances which give off heat can catch fire and set fire to the wine conditioning unit.

Do not install a warming drawer under the wine conditioning unit.

This appliance should be installed in a dry, well-ventilated room.

When deciding where to install your wine conditioning unit, please bear in mind that it will use more energy if installed near to a heater, a range, or another appliance that gives off heat. Direct sunlight should also be avoided.

The higher the room temperature, the longer the compressor has to run and the higher the energy consumption is.

When installing the wine conditioning unit, please note the following:

- The electrical outlet should be easily accessible in case of an emergency, not concealed behind the appliance. Otherwise, disconnection from power at the electrical panel must be possible.
- The plug and power cord must not touch the rear of the wine conditioning unit as they could be damaged by vibrations from the appliance.
- Do not plug in other appliances behind the wine conditioning unit.

 Danger from broken glass!

Danger of injury due to broken glass! If installed at altitudes above 4,900 ft (1,500 m) there is a risk of the glass in the door breaking because of changes in air pressure. Shards of glass can cause severe injury if not handled with care.

Installation

Side-by-side

This wine conditioning unit can be installed side-by-side with another refrigeration appliance.


Tip: Please contact Miele for specific information about which combinations will work with your appliance.

Climate class

The wine conditioning unit is designed for use within a certain climate range (ambient temperatures) and should not be used outside this range. The climate range of the wine conditioning unit is stated on the data plate inside it.

Climate class	Room temperature
SN	50° to 90°F (10° to 32°C)
N	61° to 90°F (16° to 32°C)
ST	61° to 100°F (16° to 38°C)
T	61° to 109°F (16° to 43 °C)

Operating in a room which is too cold will cause the compressor to turn off for too long, causing the internal temperature in the appliance to rise, resulting in damage.

 Risk of damage due to high humidity.

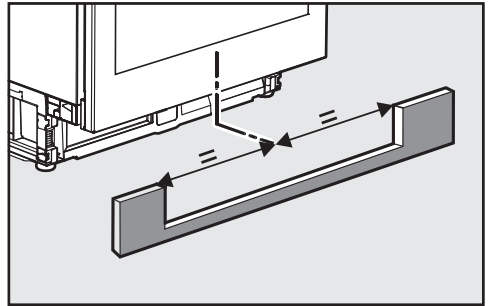
In environments with high humidity, condensation can build up on the external wine conditioning unit panels, which can cause corrosion.

Install the wine conditioning unit with sufficient ventilation in a dry and/or air-conditioned room.

After installation, make sure that the appliance door closes properly, the ventilation gaps are not covered, and the wine conditioning unit has been installed in accordance with these operating and installation instructions.

Ventilation

The appliance is ventilated via the ventilation gap in the plinth. This must not be covered over or blocked. Clean the ventilation gap regularly to remove any dust.



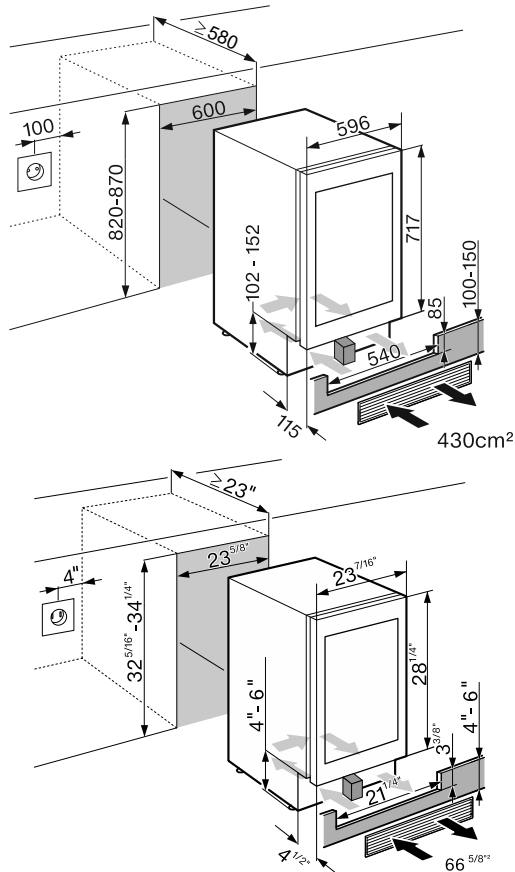
The cut-out in the unit base must be in the center of the wine conditioning unit.

Door opening angle limiter

The door opening angle limiter restricts the opening angle of the appliance door to 90°. For example, this may be necessary if the appliance door hits an adjacent wall when opened (see “Adjusting the door hinges”).

Installation

Installation dimensions

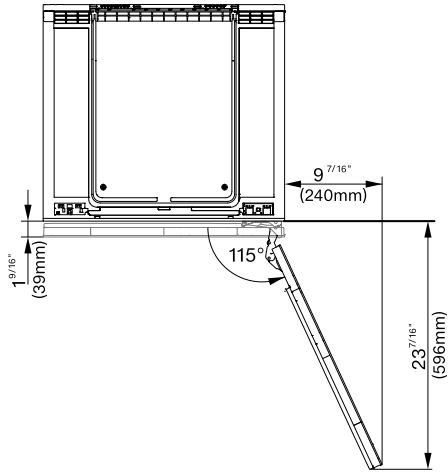


Before installation, ensure the niche and ventilation gap dimensions are the correct size. The specified air vents must be observed and the cut-out in the toe-kick panel must be aligned centrally with the appliance in order to ensure the correct functioning of the wine conditioning unit.

If the wine conditioning unit is not ventilated sufficiently, there is a fire hazard and risk of damage.

The **ventilation grille** and **foam block supplied** must be installed and used together.

View from above



Installation

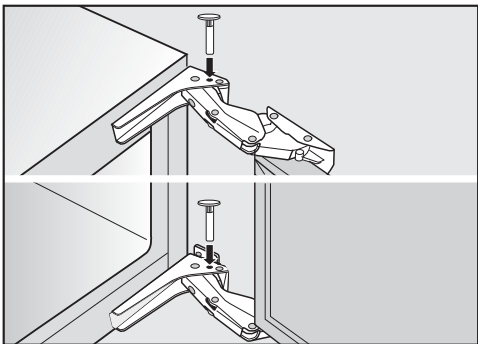
Adjusting the door hinge

The door hinges on the wine conditioning unit are set at the factory to enable the appliance door to be opened wide.

However, if the opening angle of the appliance door needs to be limited for any reason, the hinge can be adjusted to accommodate this.

If, for example, the appliance door hits an adjacent wall when it is opened, you should limit the opening angle of the appliance door to 90°.

The locking pins for limiting the door opening must be fitted before the appliance is installed.



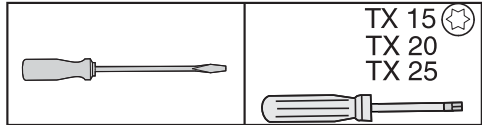
- Insert the locking pins supplied for limiting the door opening into the hinges from above.

The appliance door opening angle is now limited to approx. 90°.

Reversing the door hinge

The wine conditioning unit is supplied right-hinged. If left-hand hinging is required, the hinges must be changed.

To change the door hinging, you will need the following tools:

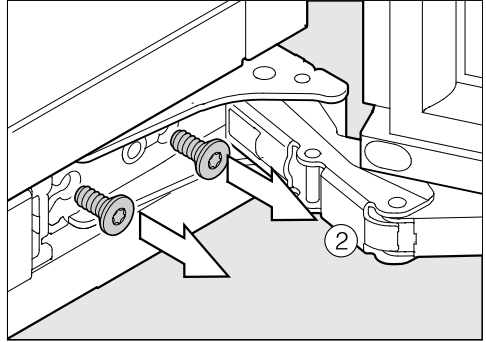
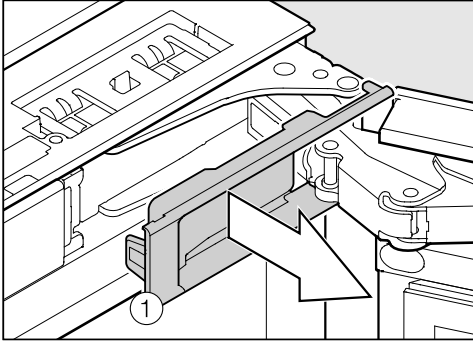


⚠ Risk of injury and damage.
The glass door is breakable.
The glass door is heavy. Always change the door hinging with the assistance of another person.

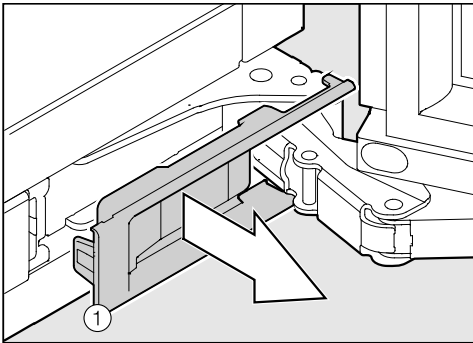
⚠ Risk of injury and damage.
The glass door can drop.
When changing the door hinging, make sure that all fixing parts are securely screwed into position.

Tip: Place a suitable cover on the floor in front of the wine conditioning unit to protect the glass door and your floor from damage when changing the hinging.


Be careful not to damage the door seal. If the door seal is damaged, the appliance door may not close properly and cooling will be insufficient.

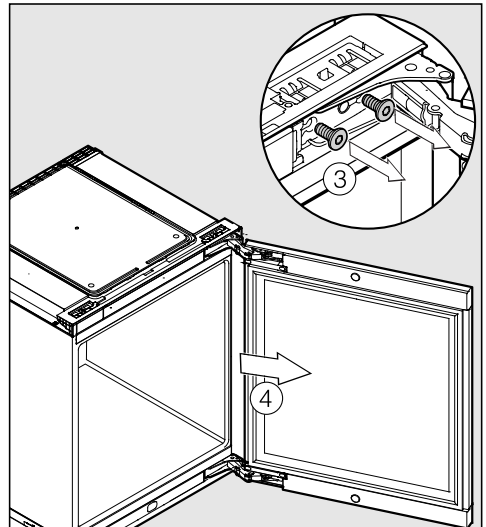


- Remove screws ② first from the lower hinge.



- Remove covers ①.

 The second person must support the appliance door.
Caution! When the hinge is subsequently released, the door is no longer secure.

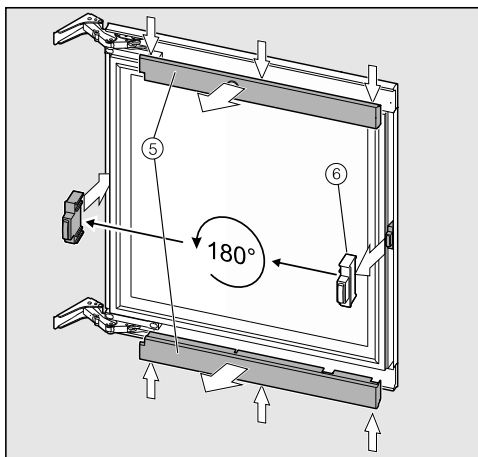


- Remove screws ③ from the upper hinge.
- Remove the appliance door ④.

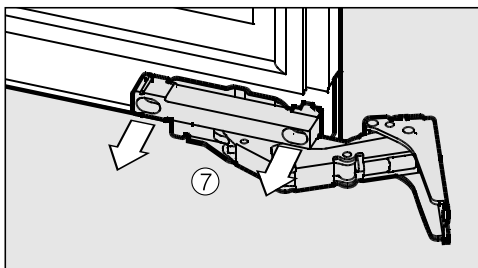
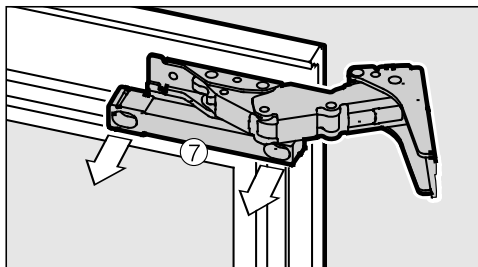
Installation

- Place the door with the outer side upwards on a stable surface.

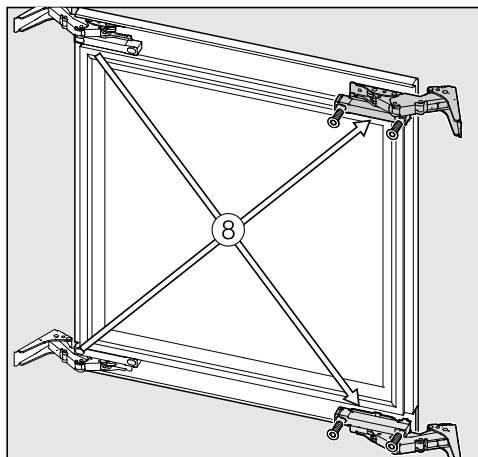
⚠ Risk of injury!
Do not close the hinges.



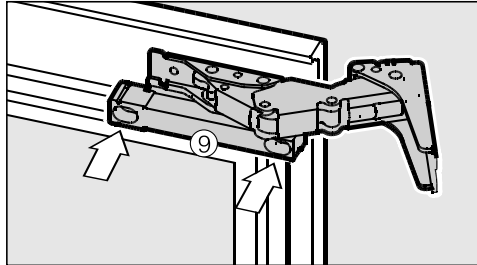
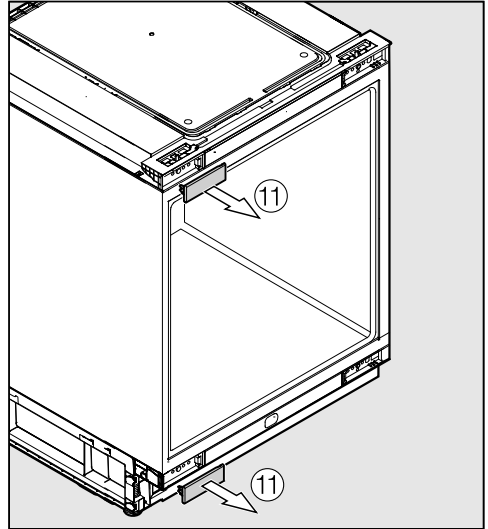
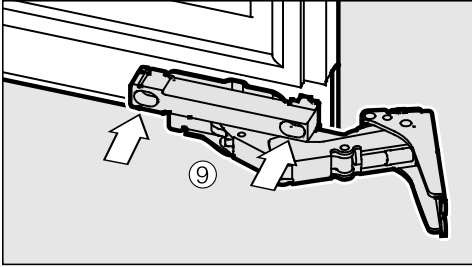
- Unclip upper and lower covers ⑤.
- Remove spacer ⑥ from the appliance door, rotate it 180° and fit it on the opposite side.



- Remove the screws ⑦.

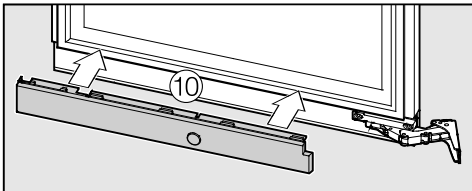
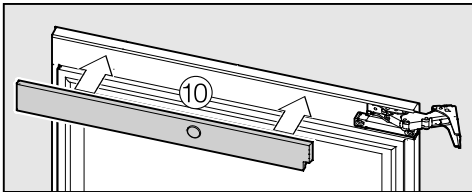


- Place each hinges ⑧ in the corner diagonally opposite from its original position.

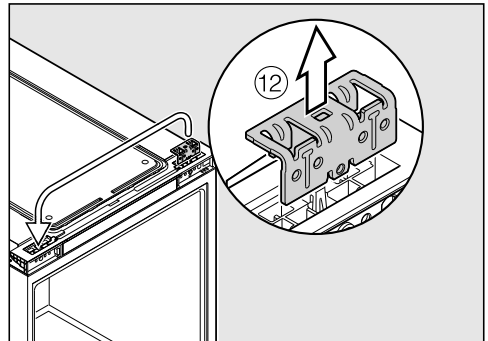


■ Replace screws ⑨ again.

■ Remove covers ⑪.

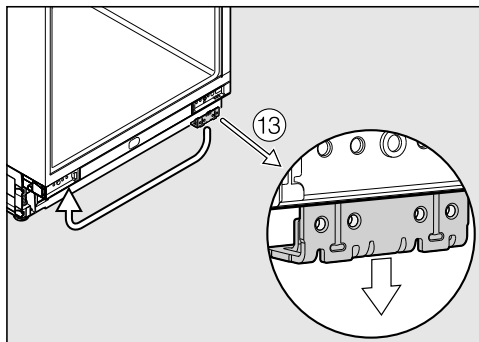


■ Clip covers ⑩ back on. Note the position of the notches on the hinges.

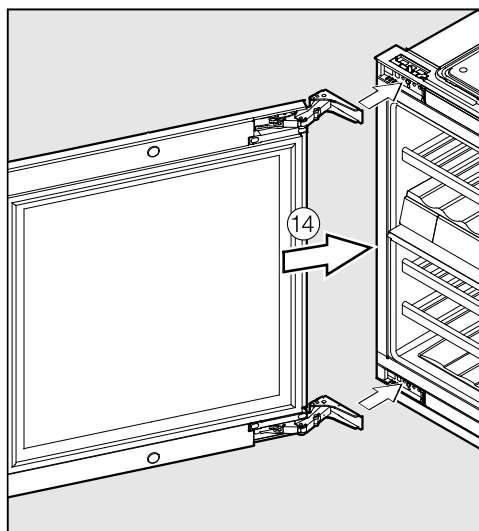


■ Take off upper retaining bracket ⑫ and replace it on the opposite side.

Installation



- Take off lower retaining bracket ⑬ and replace it on the opposite side.

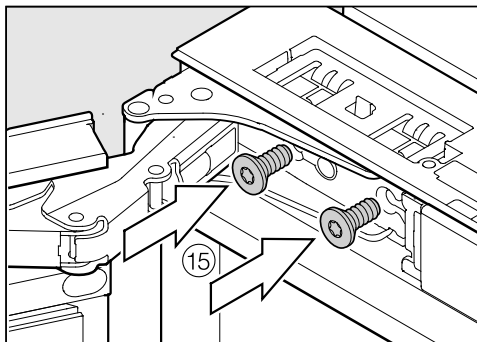


- Fit appliance door ⑭.

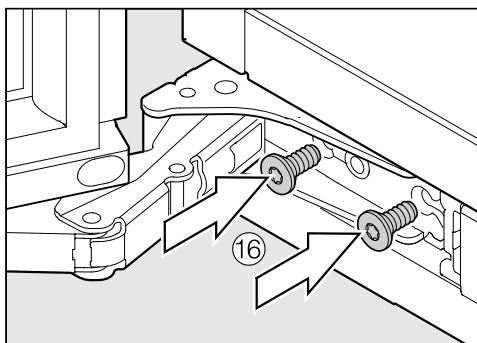


Risk of injury!

The second person must support the appliance door.



- Tighten the screws in upper hinge ⑮.

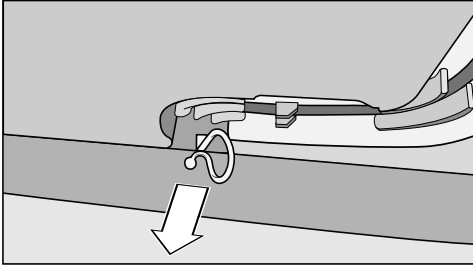


- Tighten the screws in lower hinge ⑯.
- Now install the wine conditioning unit.

Installing the wine conditioning unit

Before installing the wine conditioning unit

- Take any accessories out of the appliance.



- Remove the cable clip from the back of the appliance (depending on model).

⚠ Risk of damage and injury from the wine conditioning unit tipping over.

There is an increased risk of injury and damage if the wine conditioning unit is installed by a single person. Two people are required for installing the wine conditioning unit.

- Install the wine conditioning unit in a stable, solid housing unit, positioned on an even and level floor.
- The building-in niche must be horizontally and vertically aligned.
- The required ventilation gaps must be provided (see “Ventilation” and “Installation dimensions” under “Installation”).

To install the wine conditioning unit, you will need the following tools:

- A selection of screwdrivers
- a spirit level
- a tape measure

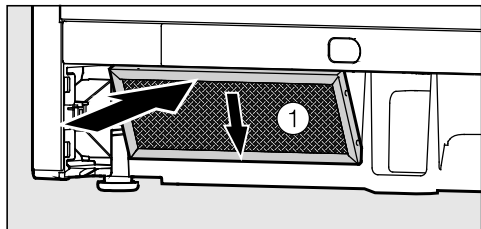
The following installation parts are required:

- Ventilation grilles
- Air filter
- Foam block for air filtration in the appliance plinth
- Screws to secure the appliance in the niche
- Wrench to adjust height in the niche

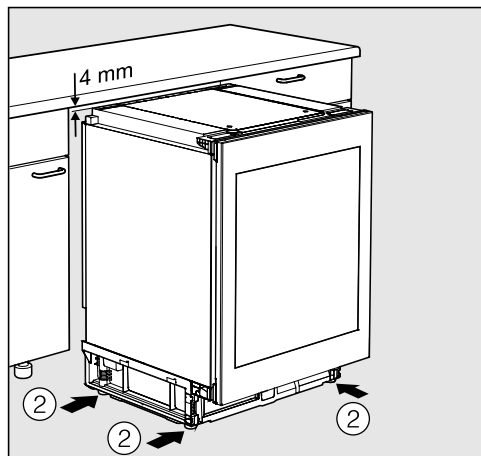
Installation

Setting up the wine conditioning unit

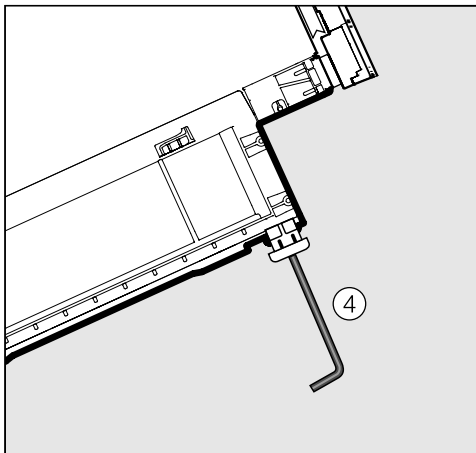
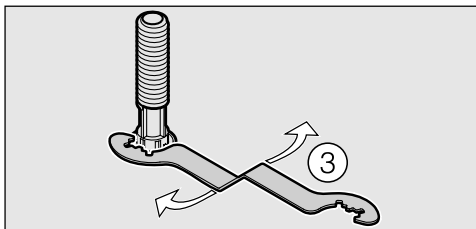
The air filter prevents soiling of the compressor compartment to ensure efficient functioning of the appliance.



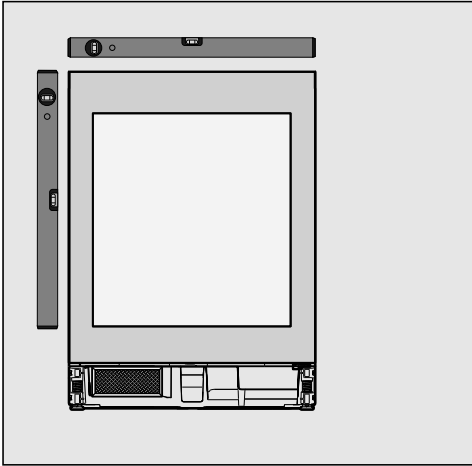
- Carefully remove the protective foil from air filter ①.



- Insert the air filter into the bottom left of the appliance plinth.
- Connect the wine conditioning unit to the power supply (see “Electrical Connection”).
- Position the wine conditioning unit in front of the niche.
- Turn the adjusting feet ② clockwise until the top of the unit is 3/16" (4 mm) below the height of the niche.

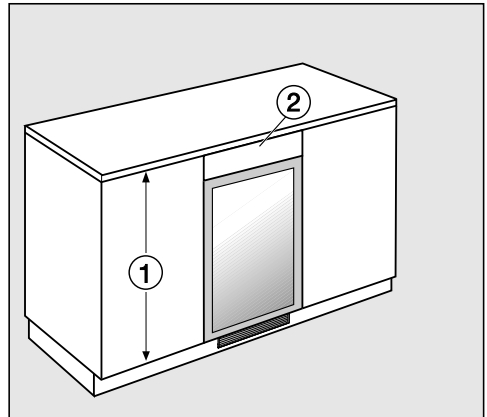


- The feet can be adjusted with the open-ended wrench supplied ③ or with an Allen key ④.

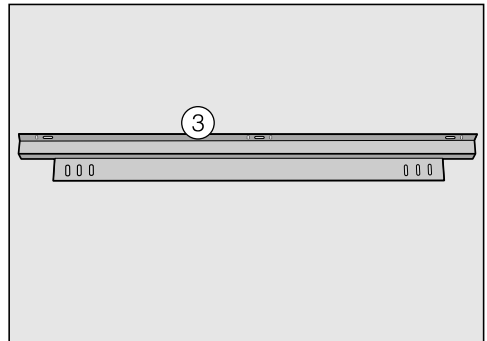


- Align the wine conditioning unit horizontally and vertically. If the wine conditioning unit is not correctly aligned it can distort.
- Check the alignment of adjacent furniture housing doors. If adjacent doors vary in height from the wine conditioning unit, see “Aligning the wine conditioning unit to taller furniture doors”.

Aligning the wine conditioning unit to taller furniture doors

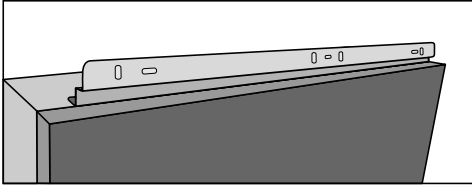


If adjacent furniture doors ① are taller than the wine conditioning unit door, the wine conditioning unit can be aligned to the adjacent furniture doors using a filler panel ②.



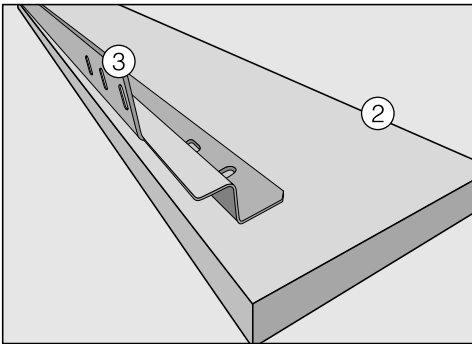
A bracket ③ is required to secure the filler panel, which is available from Miele Technical Service or from your dealer. The filler panel can be fitted above or below the wine conditioning unit as required:

Installation



To avoid damaging the wine conditioning unit, the ventilation grille must be positioned precisely in front of the vent outlet! If you wish to fit a trim across the bottom of the wine conditioning unit, make sure it provides adequate ventilation.

The filler panel must be made exactly to measure.



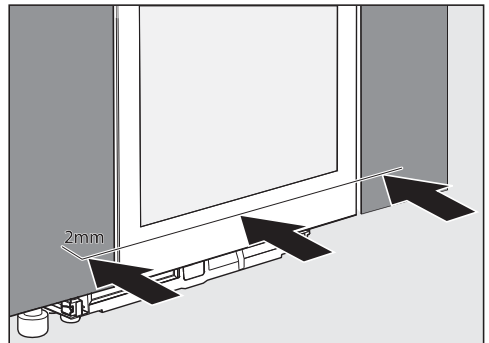
- Secure the bracket ③ to the back of filler panel ②.
- Pull the wine conditioning unit as far as you need to out of the niche so that you can tilt it towards you.
- Loosely screw the bracket with the filler panel to the wine conditioning unit.
- Align the filler panel to the door of the wine conditioning unit over the slotted holes to give a flush finish.

- Now tighten the screws.
- You can now push the wine conditioning unit into the niche.

Pushing the wine conditioning unit into the niche



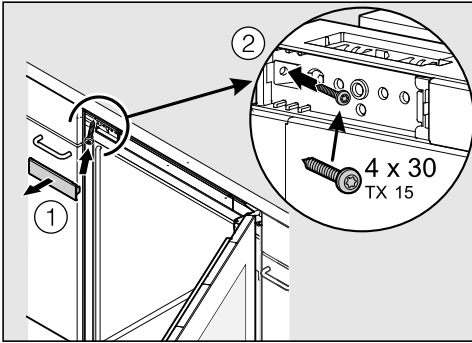
Make sure that the power cord does not become trapped or damaged as you push the wine conditioning unit into its installation space. To avoid damage to the flooring which is susceptible to scratching, take great care when pushing the appliance into the niche.



- Push the appliance into the niche until the front of the appliance door is flush with surrounding furniture doors.
- Pull the wine conditioning unit forward so that it stands proud of the furniture doors evenly by 1/16" (2 mm).

Securing the wine conditioning unit in the niche

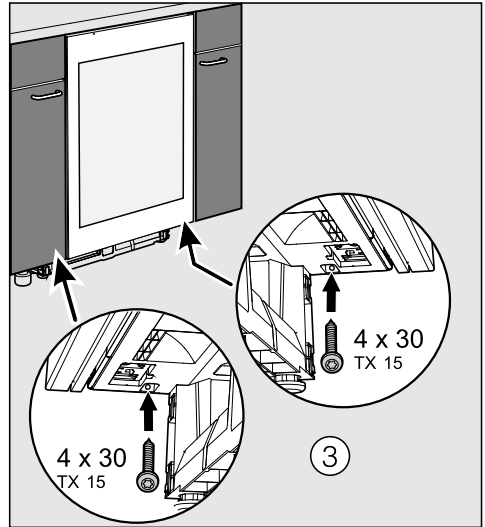
- The wine conditioning unit must protrude evenly from the furniture doors by 1/16" (2 mm).
- Open the appliance door.



- Remove cover ① and first screw the wine conditioning unit to the adjacent furniture unit at the top left ②.

The wine conditioning unit will align itself to the left side of the niche. The front of the appliance door must be flush with the furniture front.

- Put cover ① back into place.




- Screw the wine conditioning unit at the bottom right and left to adjacent furniture units.
- If necessary, a fourth screw can be used in the top right-hand hinge to secure the wine conditioning unit.

To do so, dismantle the door and then fit this extra screw.


- Close the appliance door and check that the side edges of the appliance door are aligned with the side walls of the wine conditioning unit.
- Now connect the wine conditioning unit to the power supply.

Installation

When the wine conditioning unit is connected to the power supply, the power connection symbol  will appear in the display after a short while.



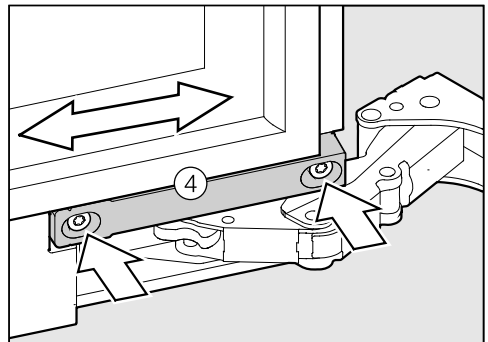
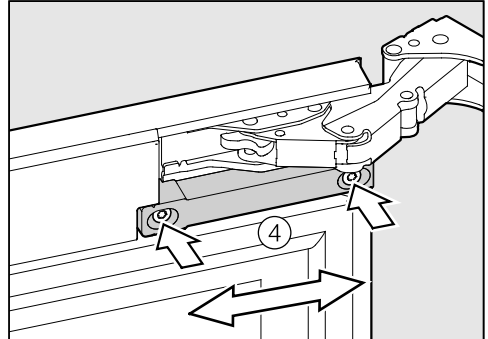
- Touch the On/Off sensor.

The power connection symbol  will go out and the wine conditioning unit will start to cool.

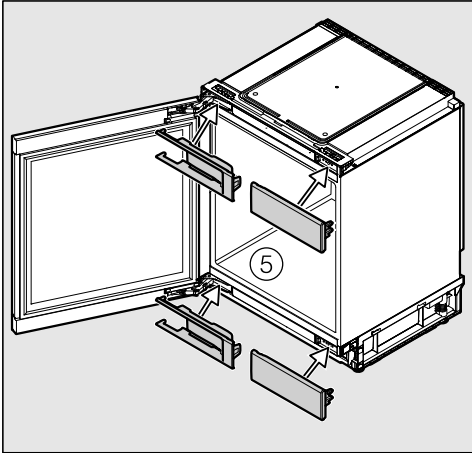
The Push2open system on the wine conditioning unit is now activated (see “Guide to the appliance – Door opening aid”).

Adjusting the lateral alignment of the appliance door

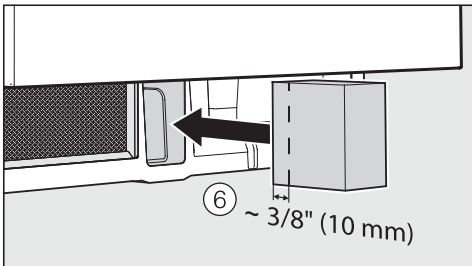
If the appliance door is not aligned with the housing side walls, the appliance door can be adjusted using the screws underneath the hinges.



- Loosen screws ④ and align the appliance door.
- Tighten screws ④ again.

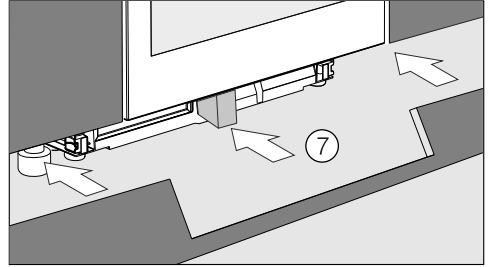


- Secure the covers.



- Insert foam block ⑥ supplied into the appliance plinth.

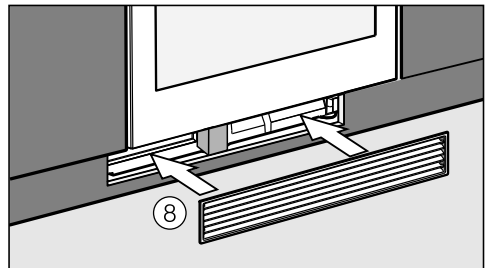
If the foam block is not fitted, the wine conditioning unit will not achieve optimum cooling and may be damaged.



- Fit unit base ⑦.



The cut-out in the plinth facing must be in the center of the wine conditioning unit.



- Fit ventilation grille ⑧ into the plinth facing. This will cause the foam block to be pushed back.

The foam block must be resting against the ventilation grille to ensure that the airflow is separated.

Installation

Electrical connection

Connect this appliance to a 110 – 120 VAC, 60 Hz and 15 amp (20 amp for side-by-side) circuit with a circuit breaker or fuse.

This appliance is equipped with a three-prong grounding plug to prevent shock hazards. It should be plugged directly into a properly grounded outlet. Do not cut or remove the grounding prong from the plug. If the plug does not fit the outlet, have the proper outlet installed by a licensed electrician. Do not use extension cords or ungrounded (two prong) adapters.

The outlet must be easily accessible so that the appliance can be quickly disconnected from the electrical supply in case of an emergency.

Failure to follow these instructions can result in death, fire, or electrical shock. Improper connection of the equipment grounding conductor may result in electric shock. If you are in any doubt as to whether the appliance has been properly grounded, have the appliance checked by a qualified electrician or service technician.

Installation, repairs and other work by unqualified persons could be dangerous. The manufacturer will not be held responsible for damage or injury arising from unauthorized work.

Before installing the appliance, verify that the voltage, load and circuit rating information found on the data plate match the household electrical supply. To guarantee the electrical safety of this appliance, continuity must exist between the appliance and an effective grounding system. It is imperative that

this basic safety requirement be met. If there is any doubt, have the electrical system of the house checked by a qualified electrician.

The plug and power cord must not come into contact with the back of the appliance as vibrations can cause damage to these components. This, in turn, could result in a short circuit.

Do not plug in other appliances behind this wine conditioning unit.

Do not use an extension cord to connect the appliance to the power supply. Extension cords do not guarantee the required safety of the appliance (danger of overheating, for example).

Do not connect the appliance to an inverter such as those used with an autonomous energy source e.g. **solar power**. When switched on, peak loads in the system can cause the safety switch-off mechanism to be triggered. This can damage the electronic unit. The appliance must not be used with so-called **energy-saving devices** either. These reduce the amount of energy supplied to the appliance, causing it to overheat.

If the power cord needs to be replaced, this must be done by a qualified technician.


Demo mode

The appliance can be demonstrated in the showroom or at exhibitions in “Demo mode”. In this mode the control panel and interior lighting are active but the compressor remains turned off, so that the appliance does not cool down.

Turning on Demo mode



- Switch the wine conditioning unit off by touching the On/Off sensor.

The temperature shown in the display will go out and the power connection symbol  appears.





- Touch and hold the ∇ sensor.




- At the same time, briefly touch the On/Off sensor (without letting go of the ∇ sensor).



- Keep your finger on the ∇ sensor until the  symbol appears in the display.
- Then release the ∇ sensor.


Demo mode is turned on and the  symbol is illuminated in the display.

Turning off Demo mode


The  symbol is illuminated in the display.



- Touch the settings sensor.



All symbols available for selection will appear in the display and the  symbol flashes.



- Touch the sensors for setting the temperature (∇ or \wedge) repeatedly until the  symbol flashes in the display.




- Touch the OK sensor to confirm your selection.

The  symbol flashes in the display (meaning: Demo mode is active) and the  symbol is illuminated.


Information for dealers



- Touch the ∇ or ▲ sensor so that the symbol  appears in the display (meaning: Demo mode is inactive).




- Touch the OK sensor to confirm your selection.

The selected setting will be adopted and the  symbol will flash.



- Touch the settings sensor to leave the settings mode. Otherwise the appliance will exit the settings mode automatically after approximately one minute.

Demo mode is turned off and the  symbol disappears.

**Please have the model and serial number
of your appliance available when
contacting Customer Service.**

U.S.A.

Miele, Inc.

National Headquarters

9 Independence Way
Princeton, NJ 08540

Customer Service & Support

Phone: 888-99-MIELE(64353)
info@mieleusa.com
www.mieleusa.com

International Headquarters

Miele & Cie. KG
Carl-Miele-Straße 29
33332 Gütersloh
Germany

Canada

**Importer
Miele Limited**

Headquarters and Miele Centre

161 Four Valley Drive
Vaughan, ON L4K 4V8
www.miele.ca

Customer Care Centre

Phone: 800-565-6435
905-532-2272
customercare@miele.ca

KWT 6312 UGS

en- CA, US

M.-Nr. 10 530 960 / 02